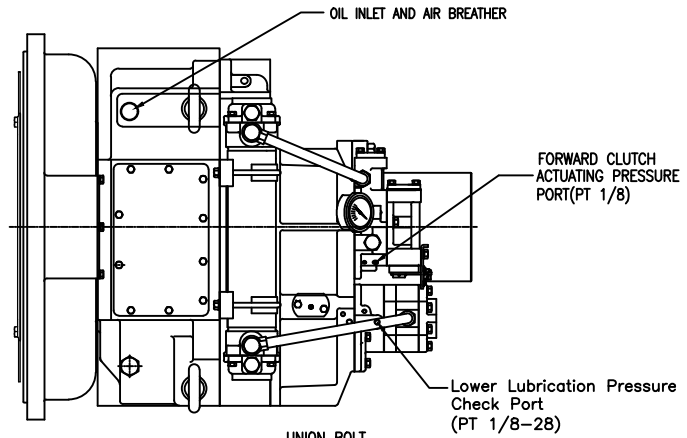
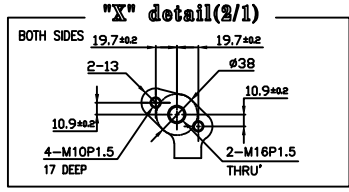
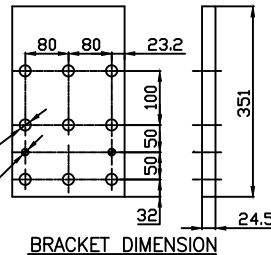
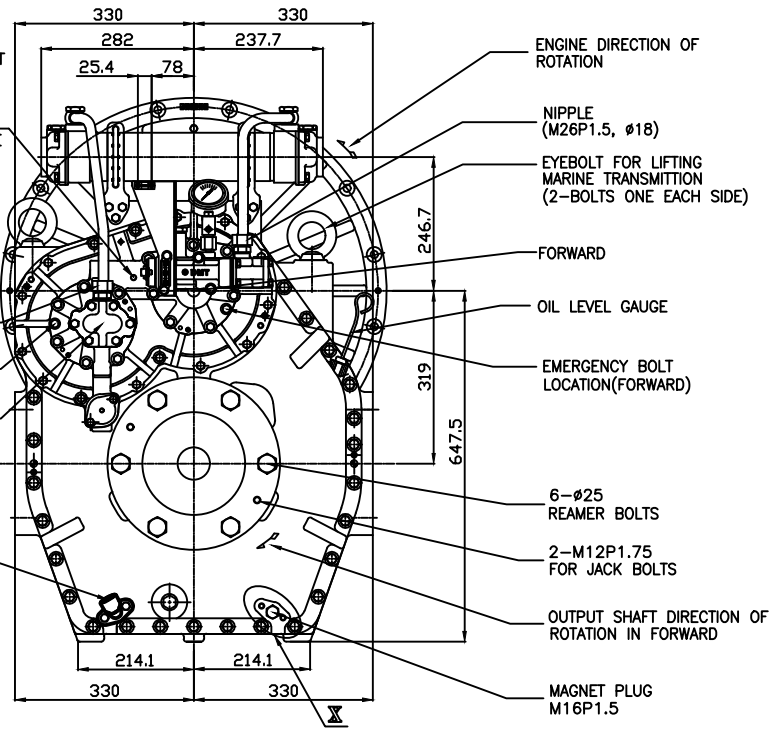
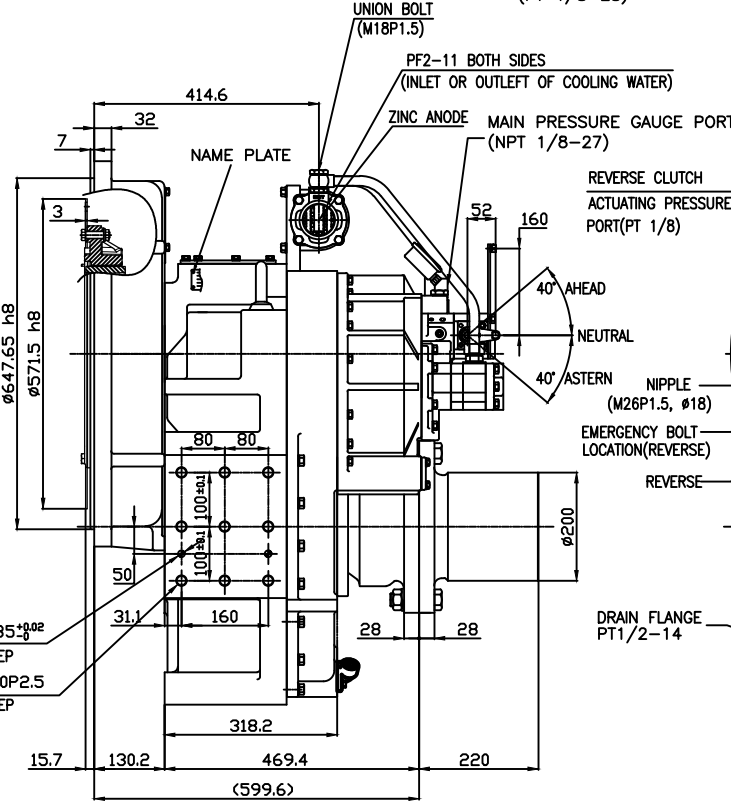
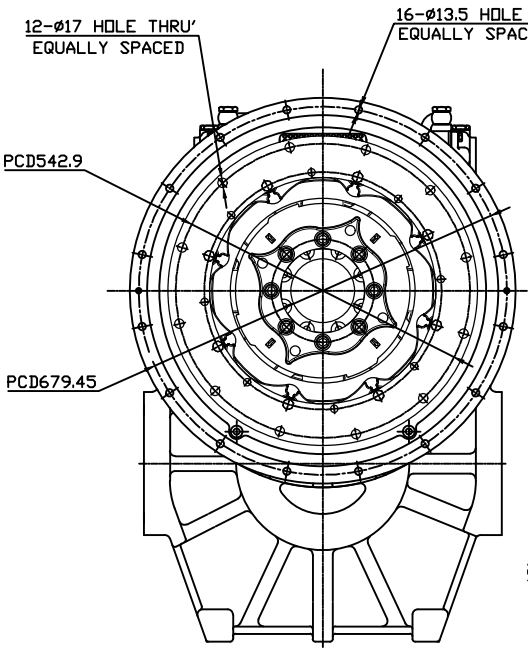


OUTPUT SHAFT COUPLING & PROPELLER COUPLING DIMENSION

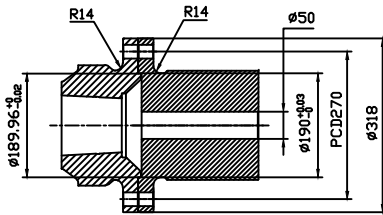


DMT330DL MARINE TRANSMISSION SPECIFICATION	
GEAR RATIO	2.61, 3.10, 3.56, 4.13, 4.59
TOTAL WEIGHT	APPROX. 807 Kg(DRY)
OIL CAPACITY	APPROX. 17.5 L
OIL VISCOSITY	SAE #30
OIL PRESSURE	1.96 ~ 2.54 MPa CLUTCH OIL
DIRECTION OF ROTATION IN FORWARD	INPUT C.C.W VIEWED FROM THE STERN OUTPUT C.W VIEWED FROM THE STERN
OIL CHANGE INTERVAL	THE FIRST 100HOURS OF INITIAL OPERATION AND EVERY 1000HOURS THEREAFTER
SHIFTING LIMIT	UNDER 50% OF THE RATED ENGINE SPEED
OIL COOLER	WATER FLOW 90 ~ 120L/m TEMPERATURE OF COOLING WATER MAX 32'
OPERATING TORQUE OF SHIFTING LEVER	UNDER 2.94Nm

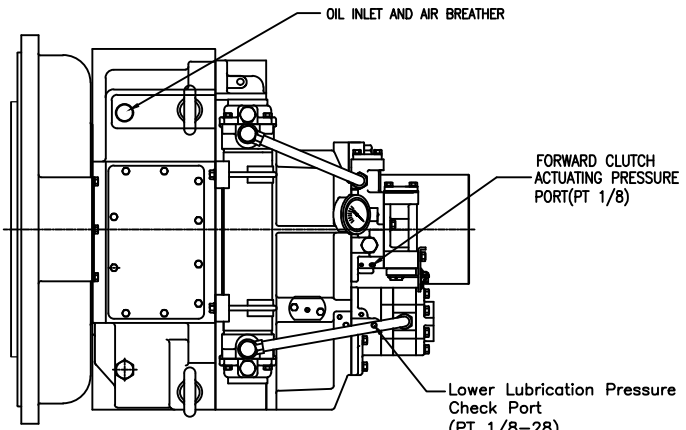


REMARK  
 1. HOUSING : SAE# 0  
 2. DRIVING RING : SAE 18"  
 3. COUPLING TYPE  
 -CENTA Flex Coupling : 77268802

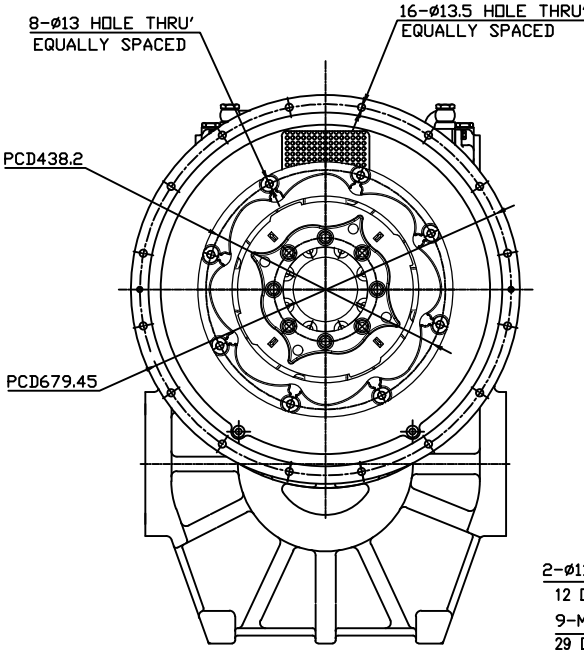
공용공차	TOLERANCE ON	번호	PART NO.	PART NAME	개수	재질	구경	비고
FRACTIONS	DECIMALS	각도	각도	SCALE	TYPE	TYPE	TYPE	REMARKS
±	±	±	±	1/1	DMT330DL	DMT330DL		원도번호 ORIGINAL DWG. NO.
MATERIAL						NAME		
APPROVED BY						MARINE TRANSMISSION		
CHECKED BY						DWG. NO.		
DRAWN						33000GDLA~E-018CFR		
DESIGNED						개방(REV.)		
TW. KIM						000		
D-I INDUSTRIAL						SIZE		
A 0						코드번호 CODE ID. NO.		



OUTPUT SHAFT COUPLING & PROPELLER COUPLING DIMENSION

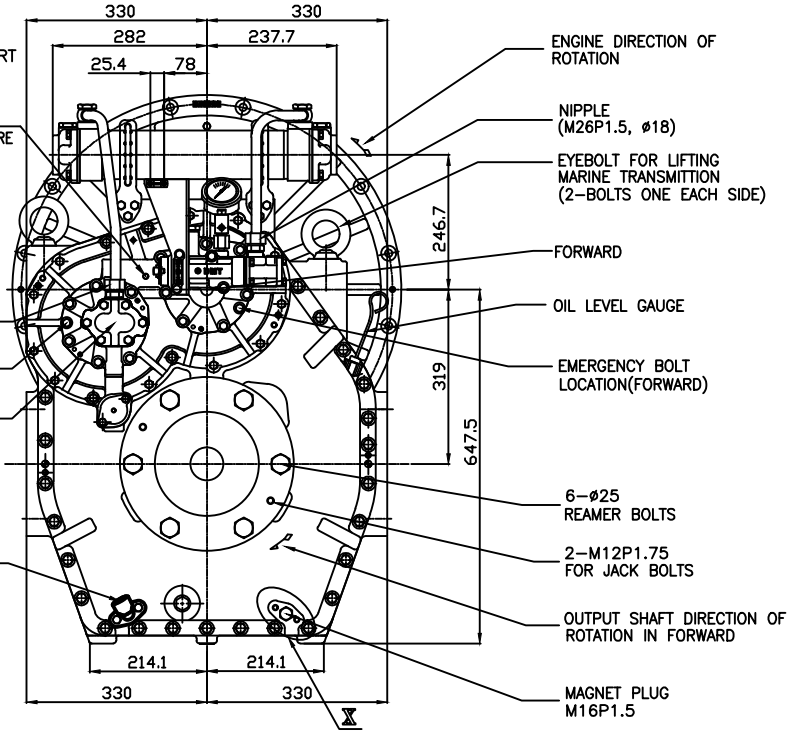
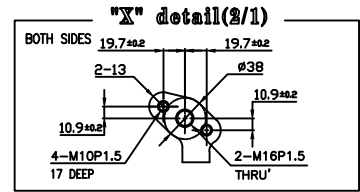
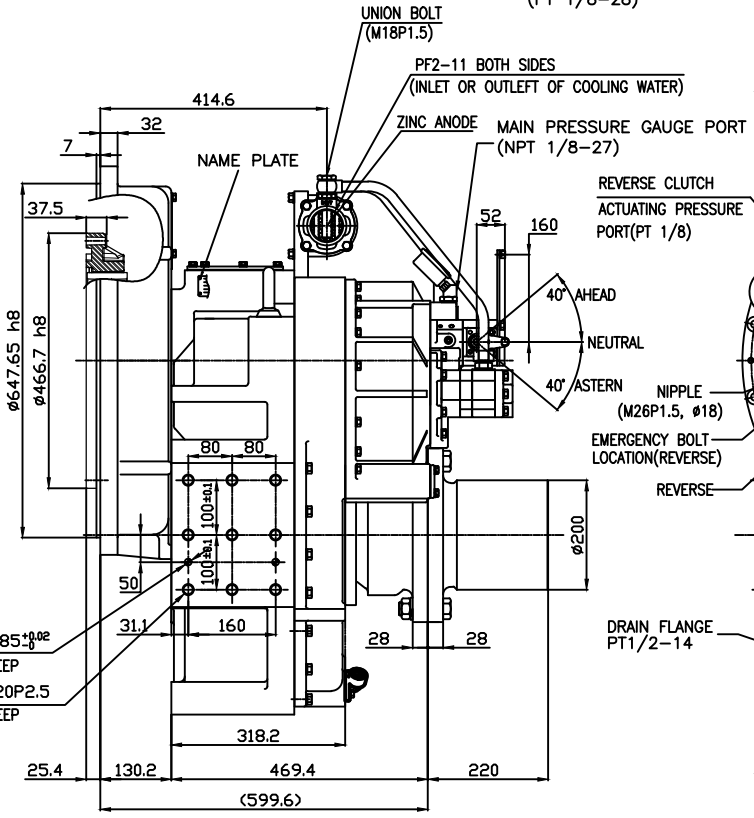
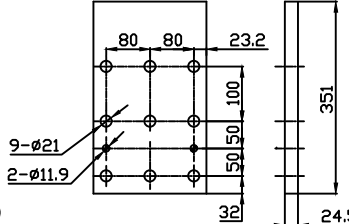


DMT330DL MARINE TRANSMISSION SPECIFICATION	
GEAR RATIO	2.61, 3.10, 3.56, 4.13, 4.59
TOTAL WEIGHT	APPROX. 806 Kg(DRY)
OIL CAPACITY	APPROX. 17.5 L
OIL VISCOSITY	SAE # 30
OIL PRESSURE	1.96 ~ 2.54 MPa CLUTCH OIL
DIRECTION OF ROTATION IN FORWARD	INPUT C.C.W VIEWED FROM THE STERN OUTPUT C.W VIEWED FROM THE STERN
OIL CHANGE INTERVAL	THE FIRST 100HOURS OF INITIAL OPERATION AND EVERY 1000HOURS THEREAFTER
SHIFTING LIMIT	UNDER 50% OF THE RATED ENGINE SPEED
OIL COOLER	WATER FLOW 90 ~ 120L/m TEMPERATURE OF COOLING WATER MAX 32°
OPERATING TORQUE OF SHIFTING LEVER	UNDER 2.94Nm



REMARK  
 1. HOUSING : SAE# 0  
 2. DRIVING RING : SAE 14"  
 3. COULING TYPE  
 -CENTA Flex Coupling : 77268803

BRACKET DIMENSION



공칭공차 TOLERANCE ON	분수 FRACTIONS	소수 DECIMALS	각도 ANGLES	번호 NO.	품 PART NO.	품 PART NAME	개수 QTY	재 MATERIAL	규 SIZE	비 REMARKS
± 0.1	± 0.1	± 0.1	± 0.1							원도 번호 ORIGINAL DWG. NO.
± 0.05	± 0.05	± 0.05	± 0.05							TYPE DMT330DL
± 0.07	± 0.07	± 0.07	± 0.07							NAME MARINE TRANSMISSION
± 0.1	± 0.1	± 0.1	± 0.1							DWG. NO. 33000GDLA-E-014CFR
± 0.2	± 0.2	± 0.2	± 0.2							SCALE 1/1
± 0.3	± 0.3	± 0.3	± 0.3							DATE 2018.06.08
± 0.5	± 0.5	± 0.5	± 0.5							DESIGNED TW.KIM
± 0.7	± 0.7	± 0.7	± 0.7							CHECKED BY
± 1.2	± 1.2	± 1.2	± 1.2							APPROVED BY
± 2.0	± 2.0	± 2.0	± 2.0							SIZE A0

