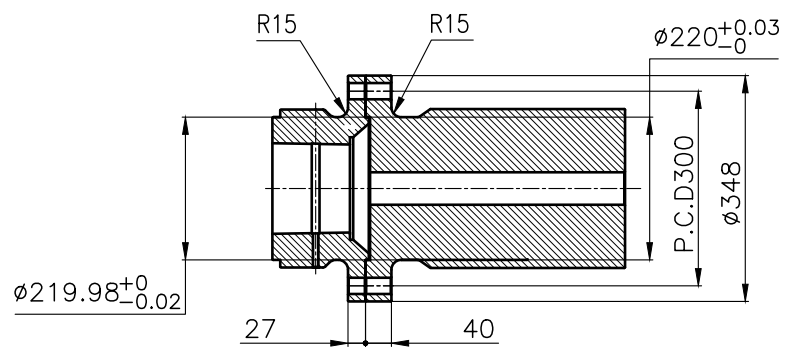
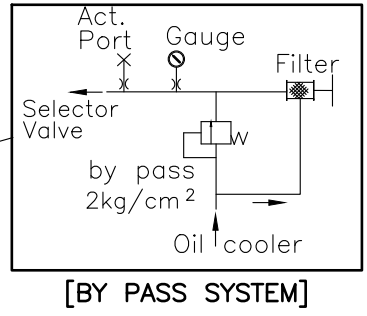
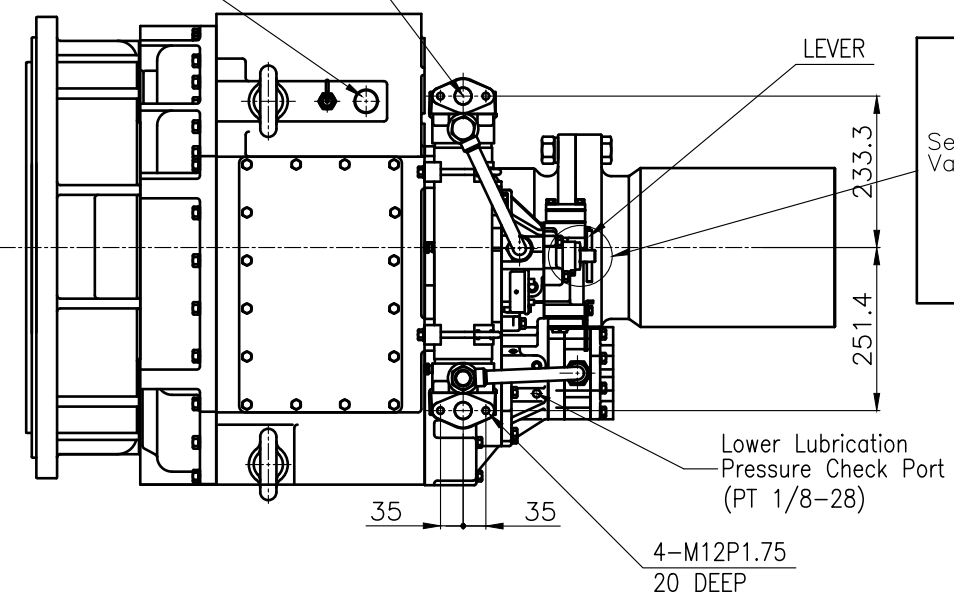


OIL INLET AND AIR BREATHER
(INLET OR OUTLET OF COOLING WATER)- $\phi 26.0$

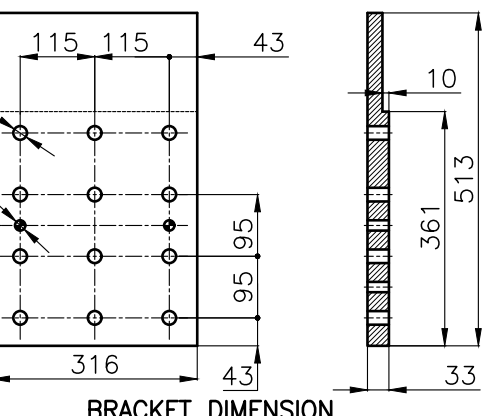
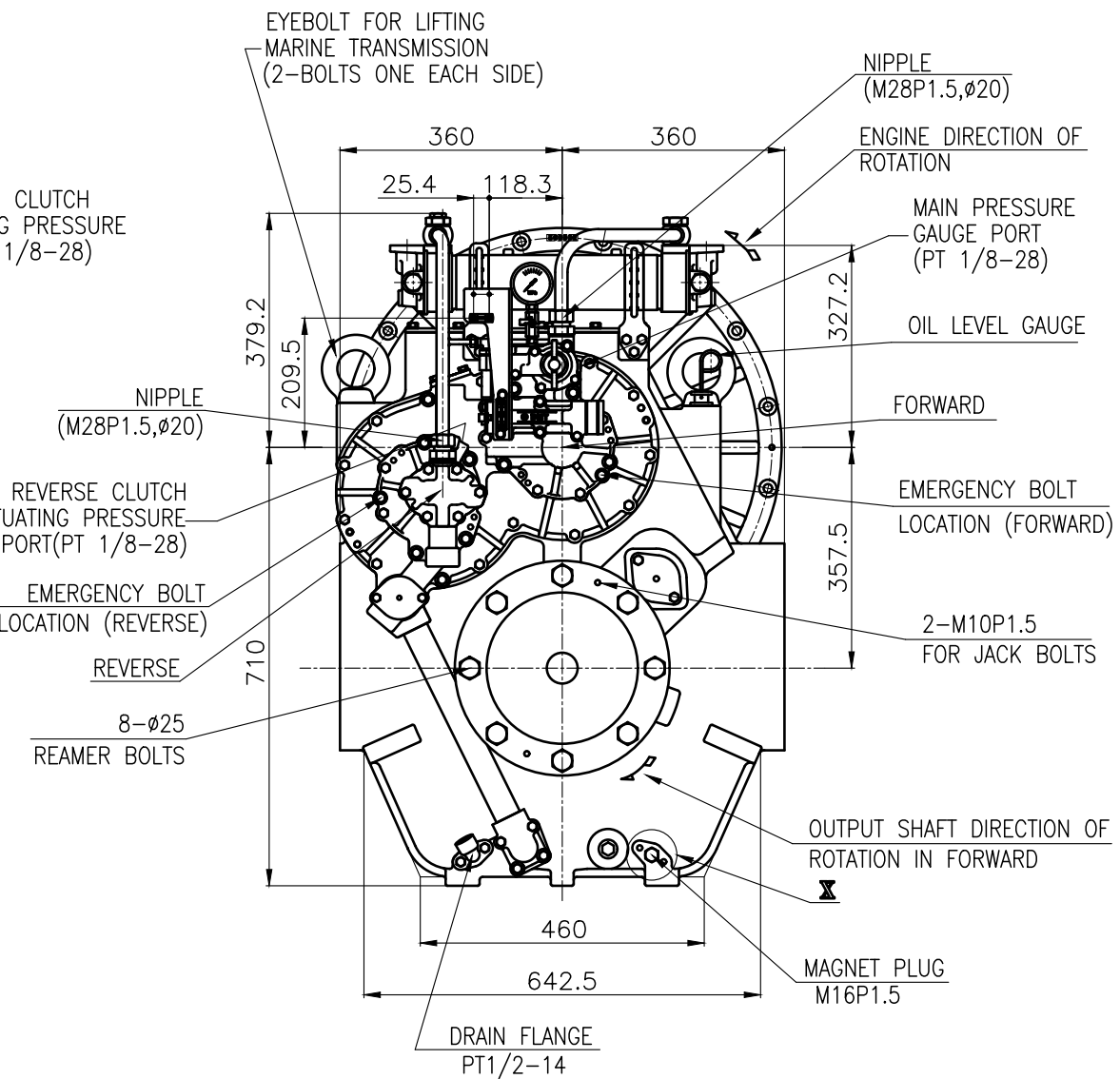
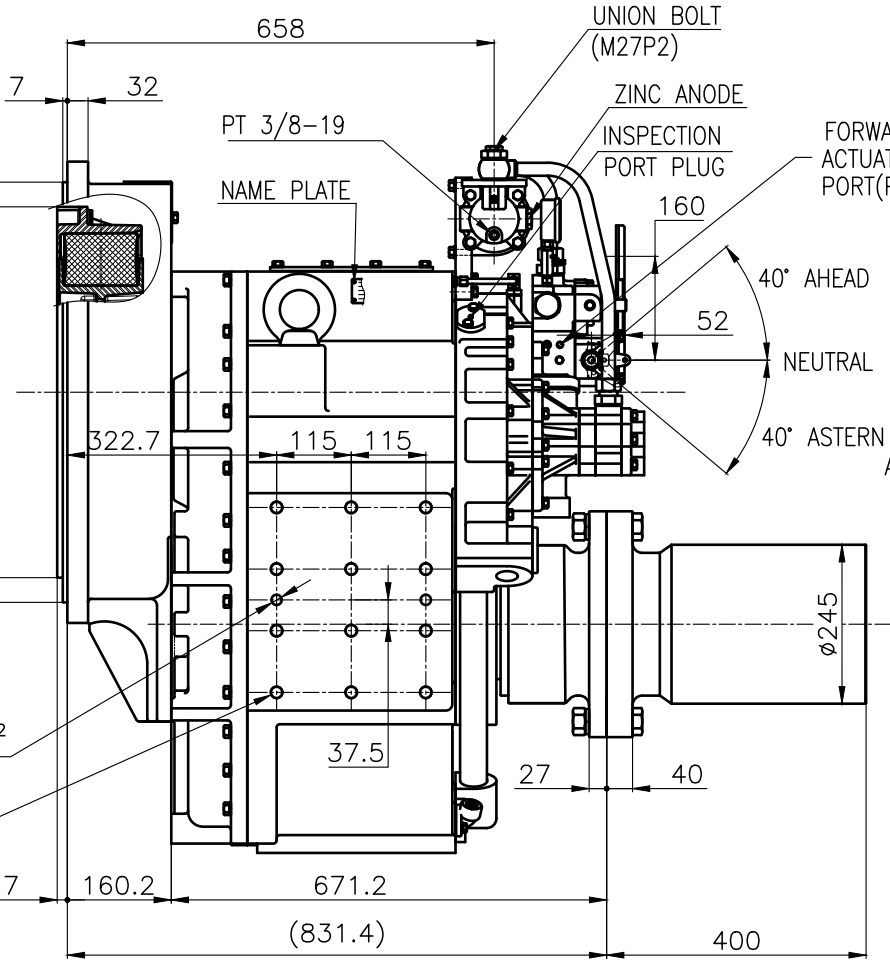
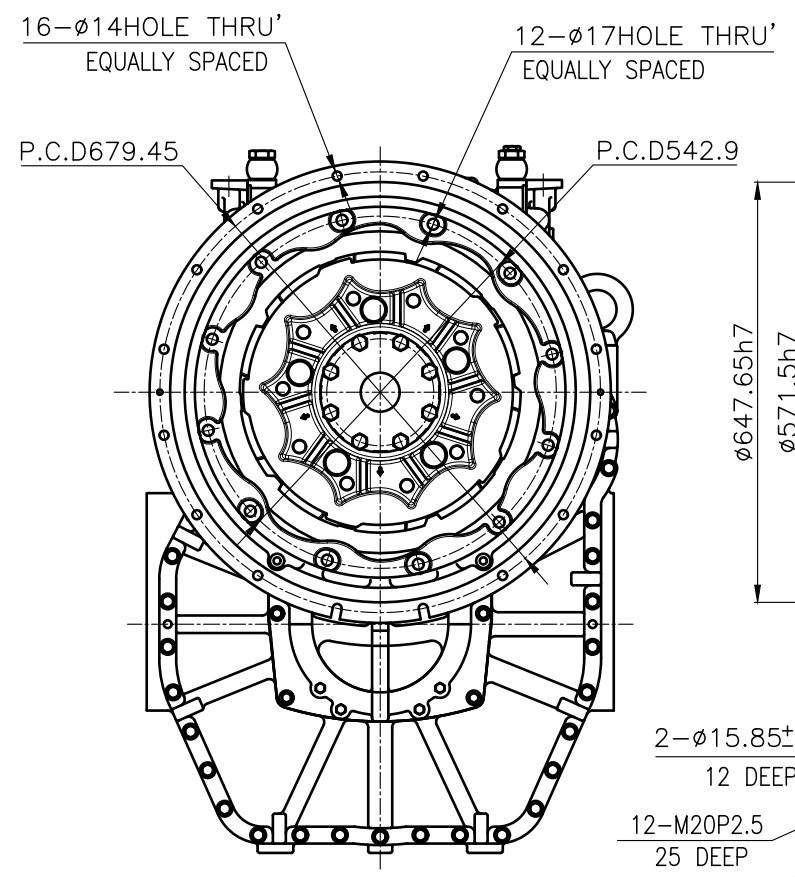


OUTPUT SHAFT COUPLING & PROPELLER COUPLING DIMENSION

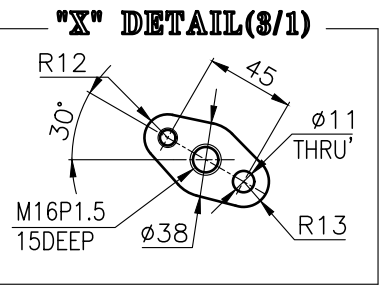


[BY PASS SYSTEM]

DMT600HL MARINE TRSANMISSION SPECIFICATION		
GEAR RATIO	2.53, 3.02, 3.28, 3.56, 4.07, 4.48, 4.95	
TOTAL WEIGHT	APPROX. 1355 Kg (DRY, EXCEPT FOR PROPELLER COUPLING)	
OIL CAPACITY	APPROX. 22 L	
OIL VISCOSITY	SAE # 30	
OIL PRESSURE	2.16 ~ 2.55 MPa	CLUTCH OIL
DIRECTION OF ROTATION IN FORWARD	INPUT	C.C.W VIEWED FROM THE STERN
	OUTPUT	C.W VIEWED FROM THE STERN
OIL CHANGE INTERVAL	THE FIRST 100HOURS OF INITIAL OPERATION AND EVERY 1000HOURS THEREAFTER	
SHIFTING LIMIT	UNDER 50% OF THE RATED ENGINE SPEED	
OIL COOLER	WATER FLOW	90 ~ 120 L/m
	TEMPERATURE OF COOLING WATER	MAX 32°C
OPERATING TORQUE OF SHIFTING LEVER	UNDER 2.94Nm	



BRACKET DIMENSION



"X" DETAIL(3/1)

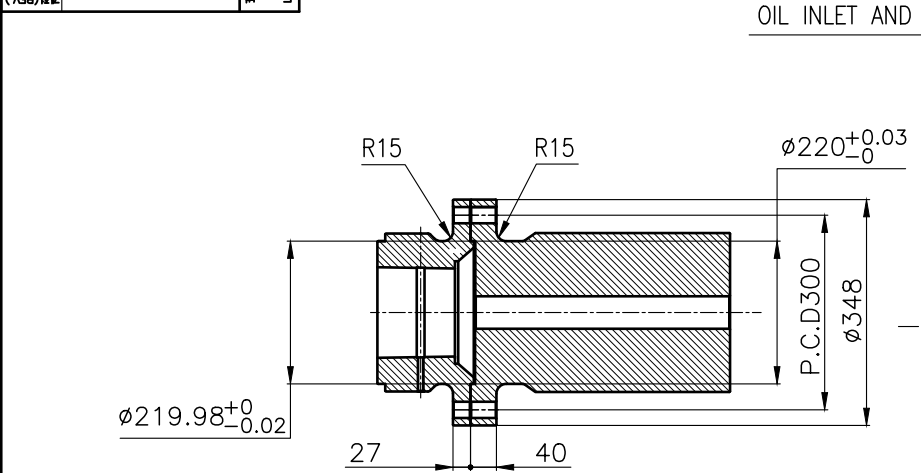
REMARK
1. HOUSING : SAE# 0
2. DRIVING RING : SAE 18"
3. COUPLING TYPE
CENTA FLEX COUPLING: 77520802

TOLERANCE ON			
FRACTIONS	DECIMALS	ANGLES	
\pm	\pm	\pm	

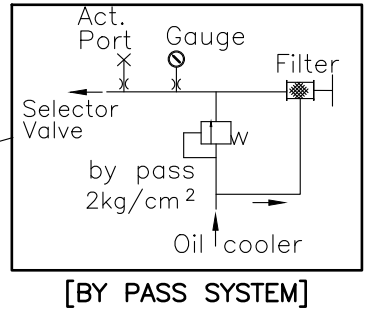
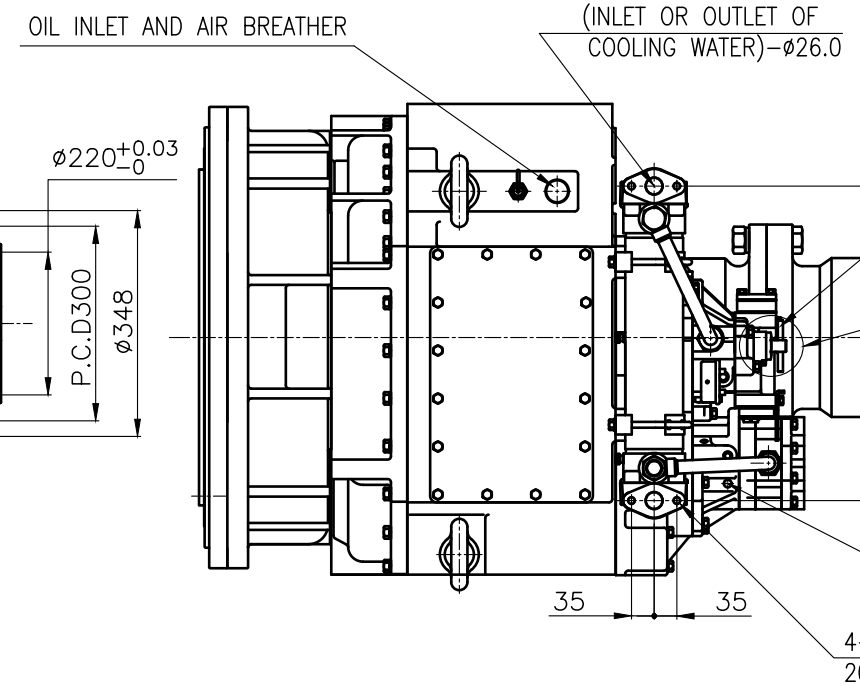
NO.	PART NO.	PART NAME	Q'TY	MATERIAL	SIZE	REMARKS
1						

TYPE	DMT600DL	ORIGINAL DWG. NO.	
NAME	MARINE TRANSMISSION	REV.	000
DWG. NO.	W6000GHA~G-018CFR	CODE ID. NO.	

D-I INDUSTRIAL

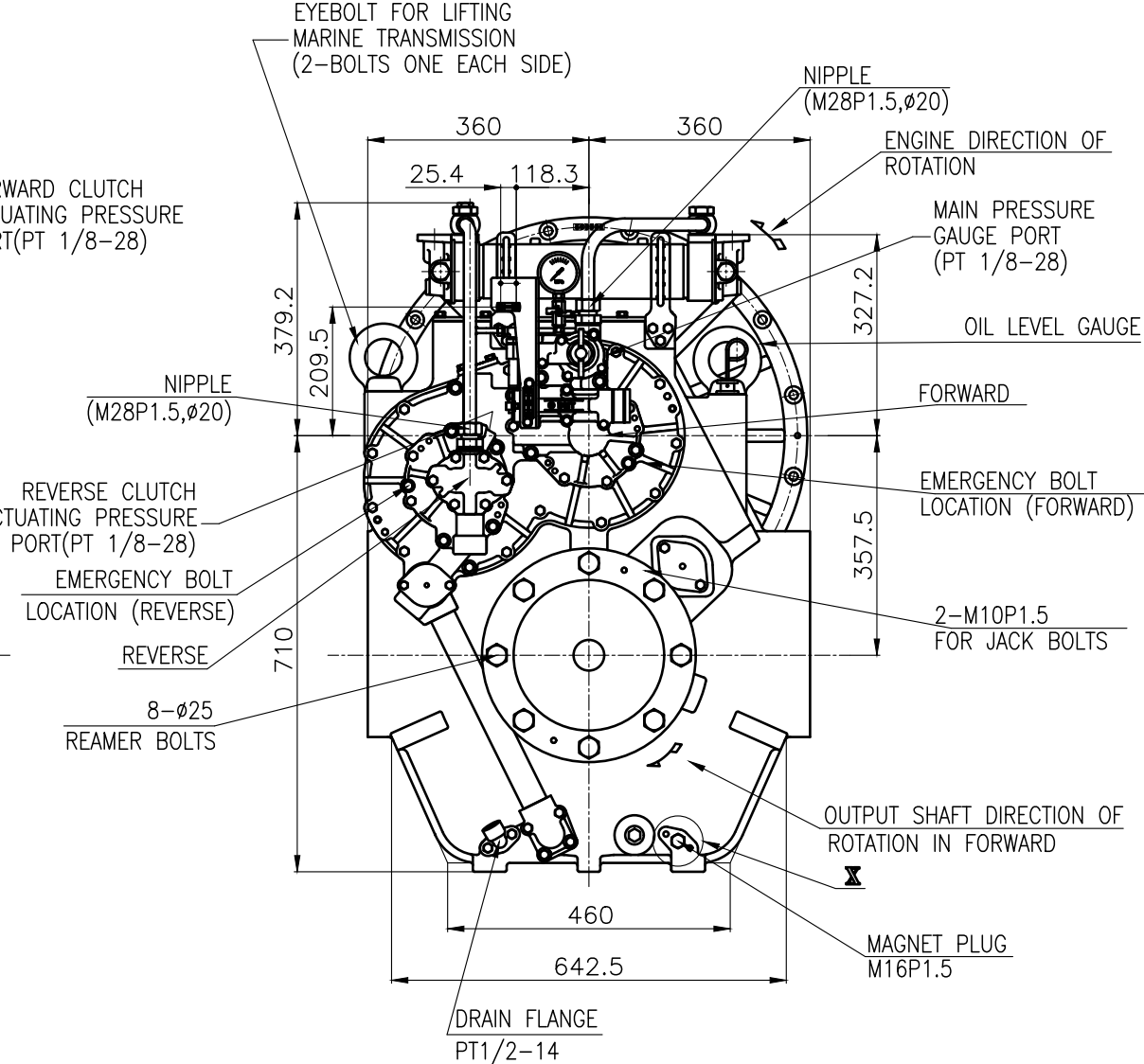
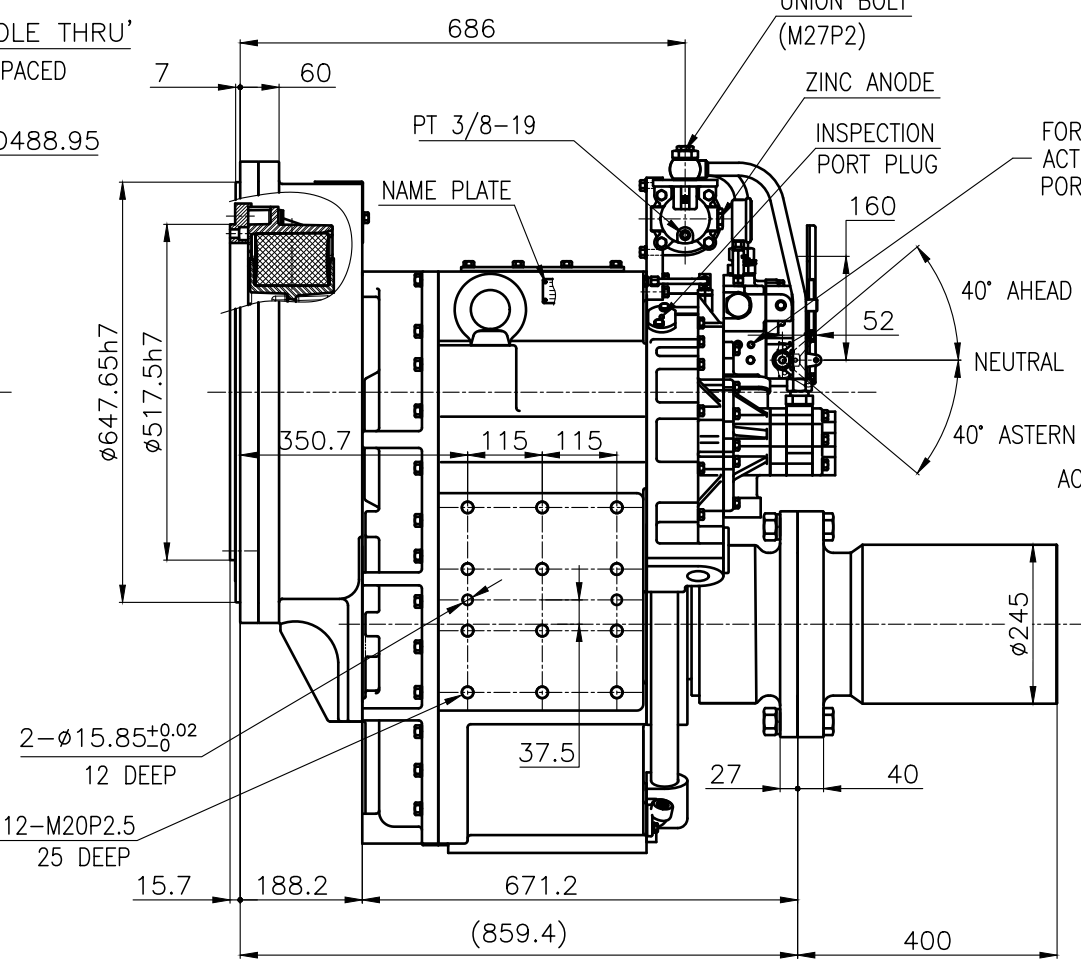
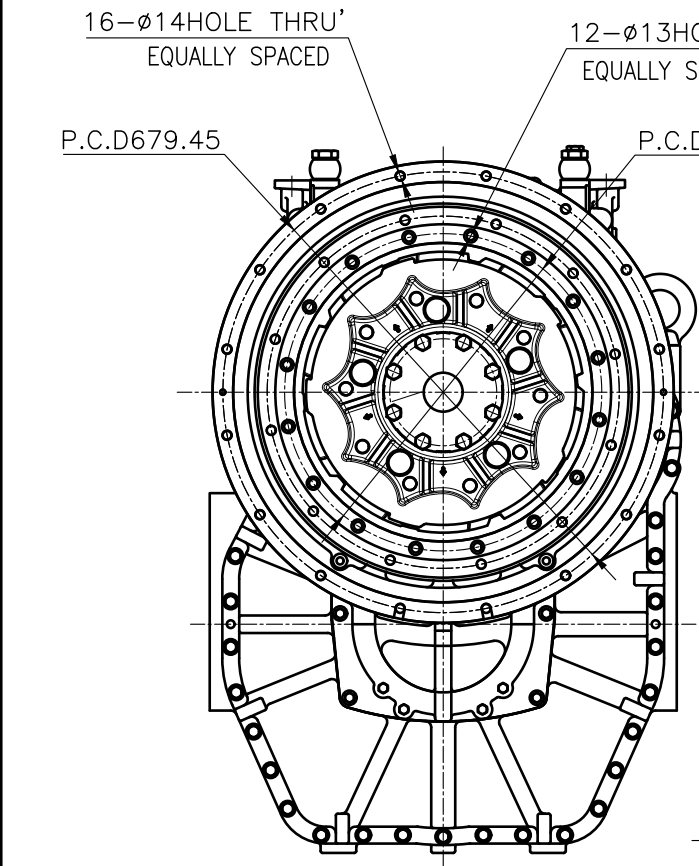


OUTPUT SHAFT COUPLING & PROPELLER COUPLING DIMENSION

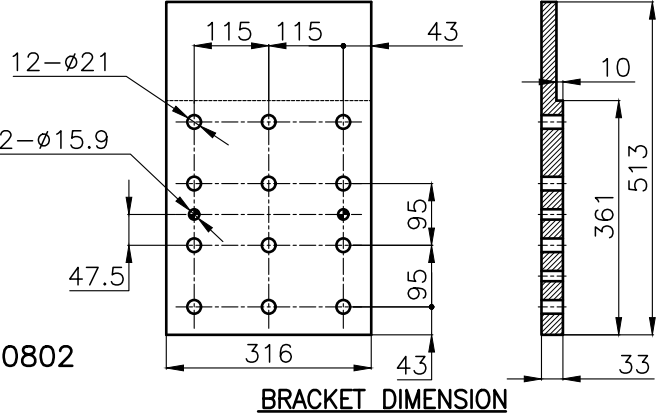


[BY PASS SYSTEM]

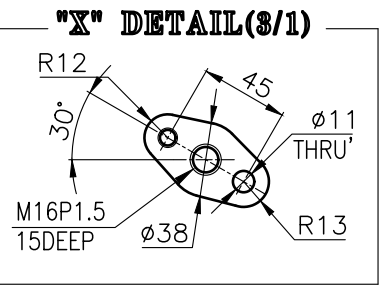
DMT600DL MARINE TRANSMISSION SPECIFICATION			
GEAR RATIO	2.53, 3.02, 3.28, 3.56, 4.07, 4.48, 4.95		
TOTAL WEIGHT	APPROX. 1407 Kg (DRY, EXCEPT FOR PROPELLER COUPLING)		
OIL CAPACITY	APPROX. 22 L		
OIL VISCOSITY	SAE # 30		
OIL PRESSURE	2.16 ~ 2.55 MPa	CLUTCH OIL	
DIRECTION OF ROTATION	INPUT	C.C.W VIEWED FROM THE STERN	
	OUTPUT	C.W VIEWED FROM THE STERN	
OIL CHANGE INTERVAL	THE FIRST 100HOURS OF INITIAL OPERATION AND EVERY 1000HOURS THEREAFTER		
SHIFTING LIMIT	UNDER 50% OF THE RATED ENGINE SPEED		
OIL COOLER	WATER FLOW	90 ~ 120 L/m	
	TEMPERATURE OF COOLING WATER	MAX 32°C	
OPERATING TORQUE OF SHIFTING LEVER	UNDER 2.94Nm		



REMARK
 1. HOUSING : SAE# 0
 2. DRIVING RING : SAE 16"
 3. COUPLING TYPE
 CENTA FLEX COUPLING: 77520802
 DUMMY: 550951, 77520890



BRACKET DIMENSION



"X" DETAIL (3/1)

TOLERANCE ON			
FRACTIONS	DECIMALS	ANGLES	
±	±	±	±

번호 NO.	품 PART NO.	품 PART 명	개 수 Q'TY	재 MATERIAL	규 SIZE	비 REMARKS
		재 MATERIAL				
		작성 DATE 2017.11.03		척 도 SCALE 1/1		
		승 인 APPROVED BY		검 도 CHECKED BY	제 도 DRAWN	설 계 DESIGNED
					KC.Yoon	

TYPE	NAME	DWG. NO.	크 기 SIZE	코-드 번호 CODE ID. NO.
DMT600DL	MARINE TRANSMISSION	W6000GHA-G-016CFR	A 3	

D-I INDUSTRIAL