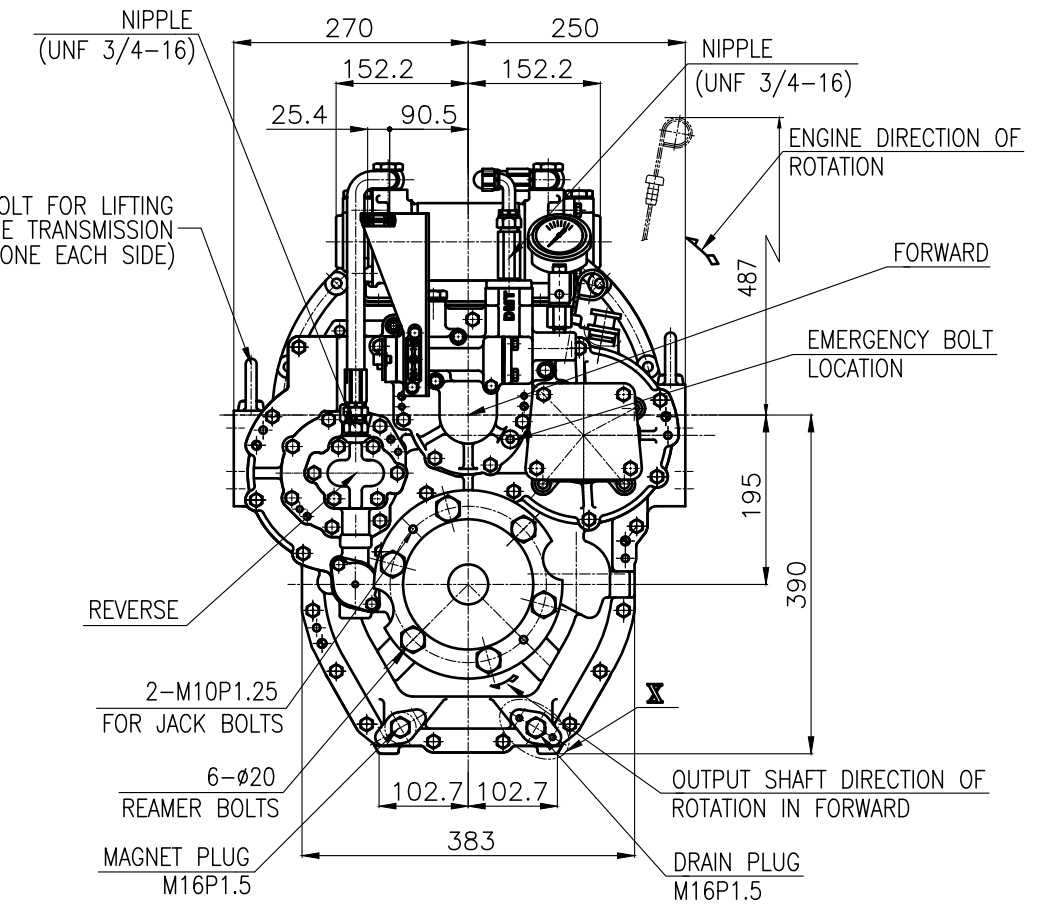
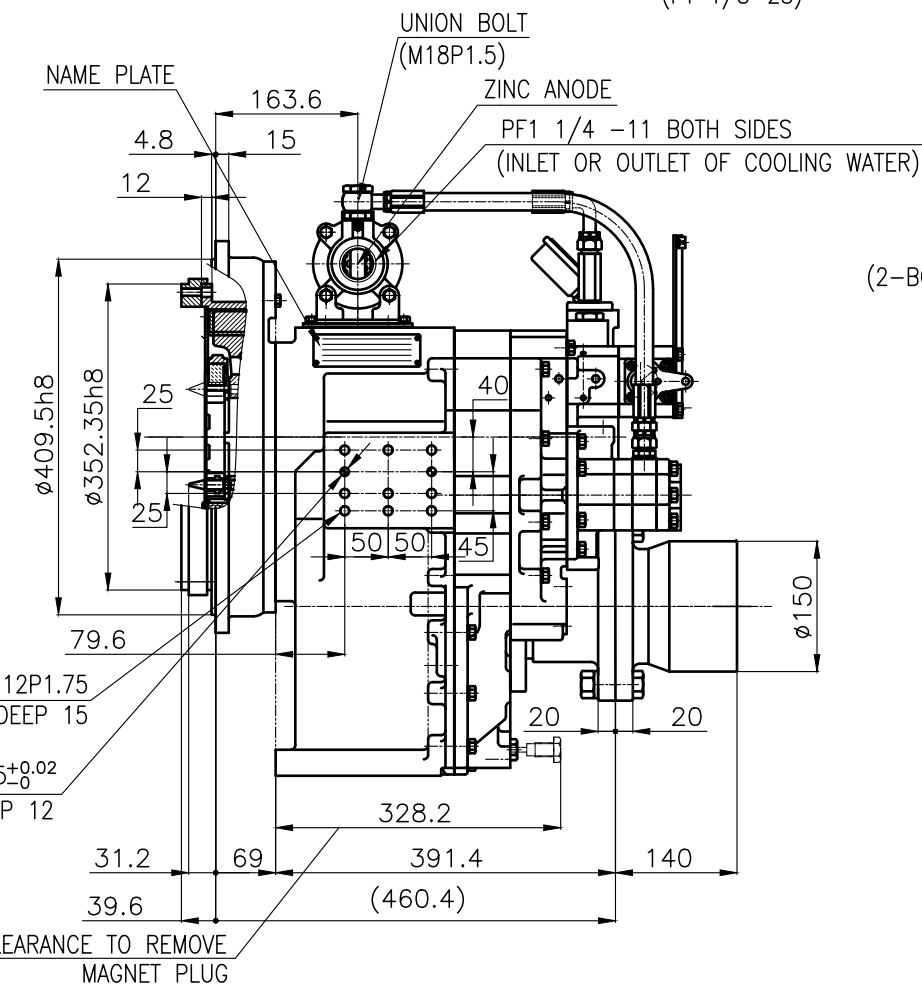
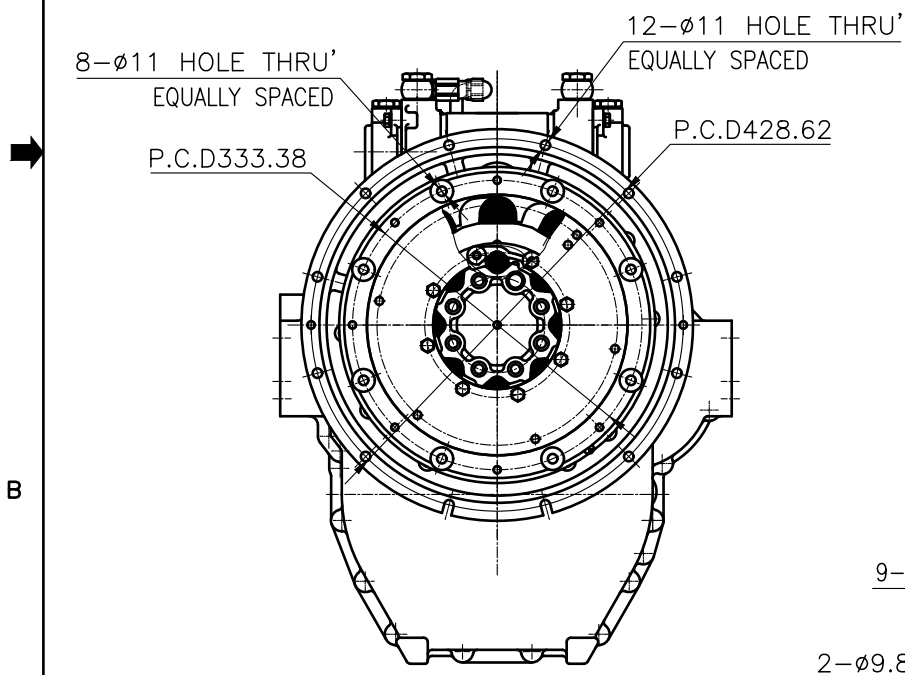
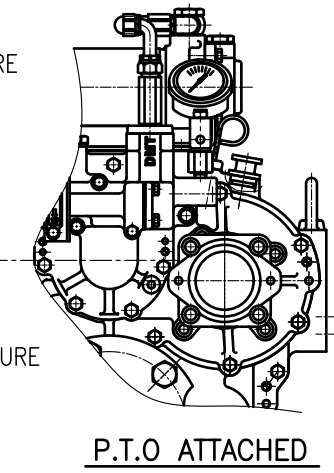
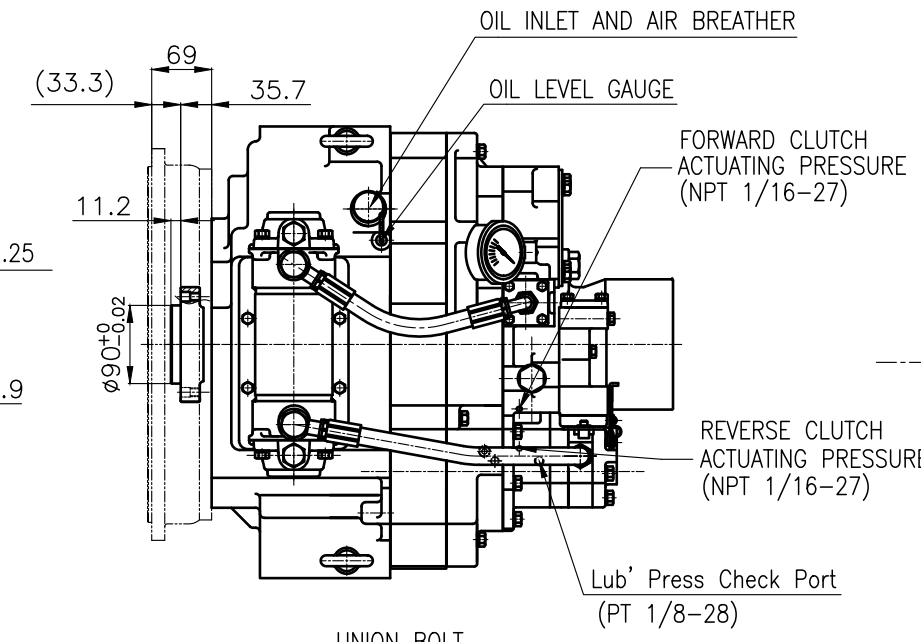
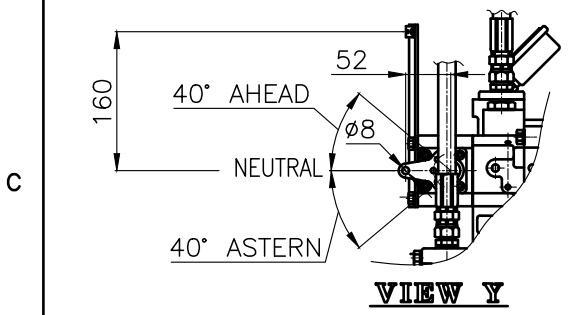
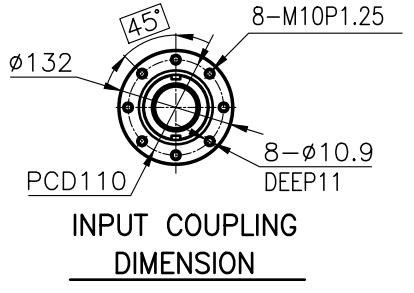
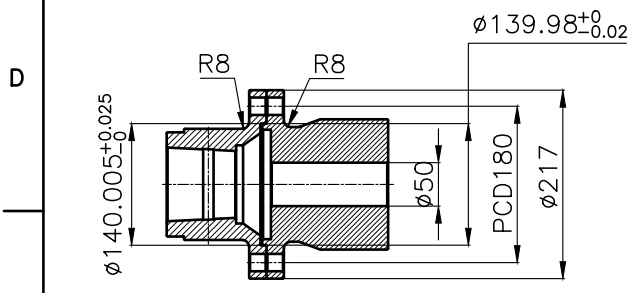
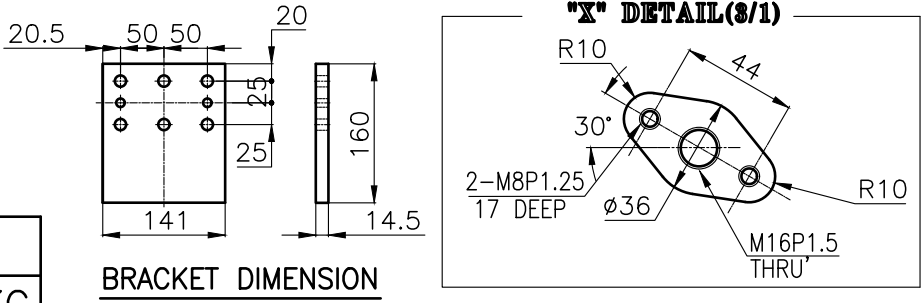


DMTP 5100 MARINE TRANSMISSION SPECIFICATION	
GEAR RATIO	1.47, 1.76, 1.93, 2.48, 3.08, 3.46
TOTAL WEIGHT	APPROX. 263 kg(DRY)
OIL CAPACITY	APPROX. 5 L
OIL VISCOSITY	SAE # 30
OIL PRESSURE	1.96 ~ 2.35 MPa CLUTCH OIL
DIRECTION OF ROTATION IN FORWARD	INPUT C.C.W VIEWED FROM THE STERN OUTPUT C.W VIEWED FROM THE STERN
OIL CHANGE INTERVAL	THE FIRST 100HOURS OF INITIAL OPERATION AND EVERY 1000HOURS THEREAFTER
SHIFTING LIMIT	UNDER 50% OF THE RATED ENGINE SPEED
OIL COOLER	WATER FLOW 40 ~ 60L/min TEMPERATURE OF COOLING WATER MAX 32°C
OPERATING TORQUE OF SHIFTING LEVER	UNDER 2.94Nm



- REMARK
- HOUSING: SAE#3
  - DRIVING RING: SAE 11.5"
  - COUPLING TYPE : DUAL STAGE

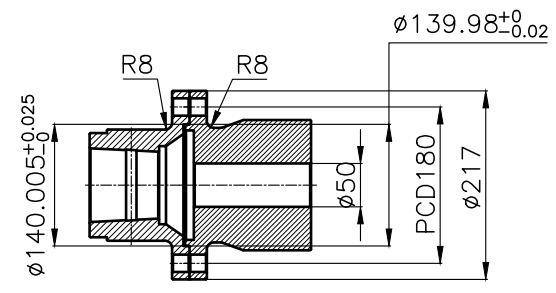


제품 HS Code	소재 HS Code	중량	263 KG
규격 SIZE			

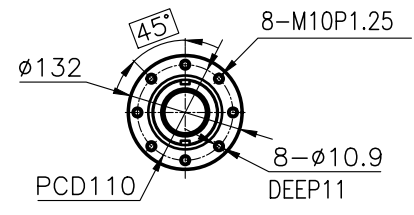
TOLERANCE ON			번호	품 PART NO.	품 PART NAME	개수 Q'TY	재 MATERIAL	규 SIZE	비 REMARKS
FRACTIONS	소수 DECIMALS	각도 ANGLES	제 MATERIAL	작성 DATE	척도 SCALE	명 식 TYPE	DMTP5100	원도 번호 ORIGINAL DWG. NO.	
± 1/16	± 0.0625	± 0.5°	APPROVED BY	2018.06.29	1/1	명 식 TYPE	MARINE TRANSMISSION	개형(REV.) 000	
± 1/32	± 0.03125	± 0.25°	CHK'D BY			명 식 TYPE			
± 1/64	± 0.015625	± 0.125°	JK.Kim	TH.Cha	CH.Baek	도 번호 DWG. NO.	51000GA~F-3115DCH		
± 1/128	± 0.0078125	± 0.0625°	© 동이공업(주)		크기 SIZE	A1	코드 번호 CODE ID. NO.		

000  
51000GA~F-2115DCH  
DWG. NO. 5  
REV. 3

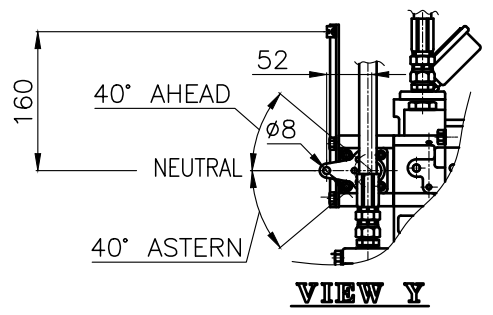
DMTP 5100 MARINE TRANSMISSION SPECIFICATION			
GEAR RATIO	1.47, 1.76, 1.93, 2.48, 3.08, 3.46		
TOTAL WEIGHT	APPROX. 263 kg(DRY)		
OIL CAPACITY	APPROX. 5 L		
OIL VISCOSITY	SAE # 30		
OIL PRESSURE	1.96 ~ 2.35 MPa	CLUTCH OIL	
DIRECTION OF ROTATION	INPUT	C.C.W VIEWED FROM THE STERN	
	OUTPUT	C.W VIEWED FROM THE STERN	
OIL CHANGE INTERVAL	THE FIRST 100HOURS OF INITIAL OPERATION AND EVERY 1000HOURS THEREAFTER		
SHIFTING LIMIT	UNDER 50% OF THE RATED ENGINE SPEED		
OIL COOLER	WATER FLOW 40 ~ 60L/min		TEMPERATURE OF COOLING WATER MAX 32°C
	OPERATING TORQUE OF SHIFTING LEVER		



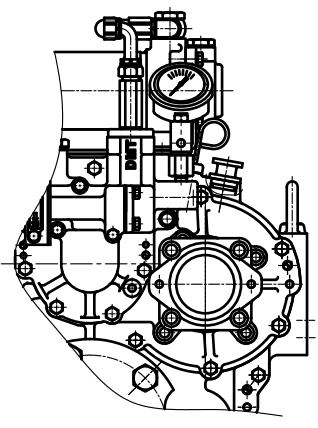
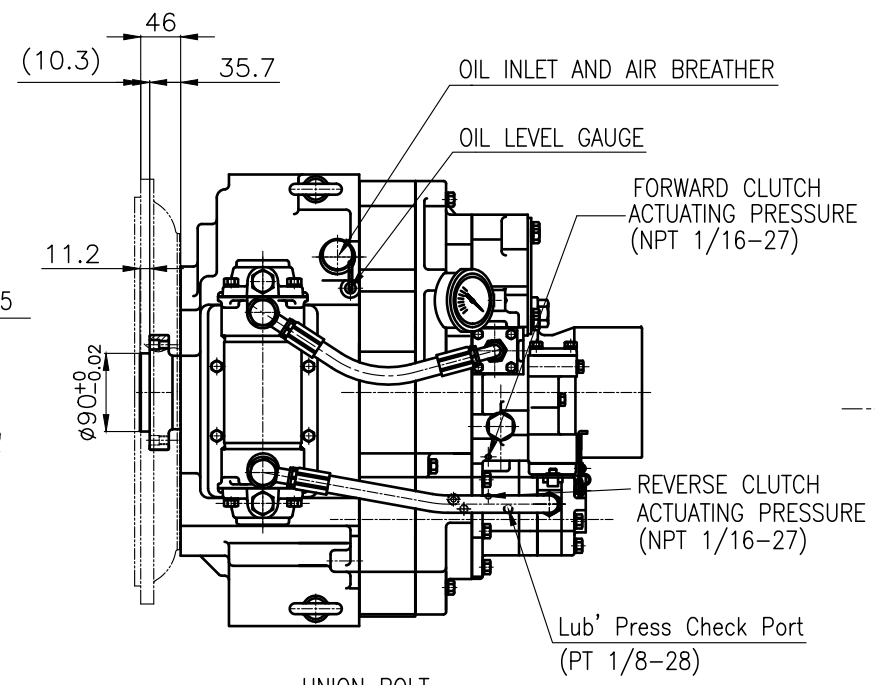
OUTPUT SHAFT COUPLING & PROPELLER COUPLING DIMENSION



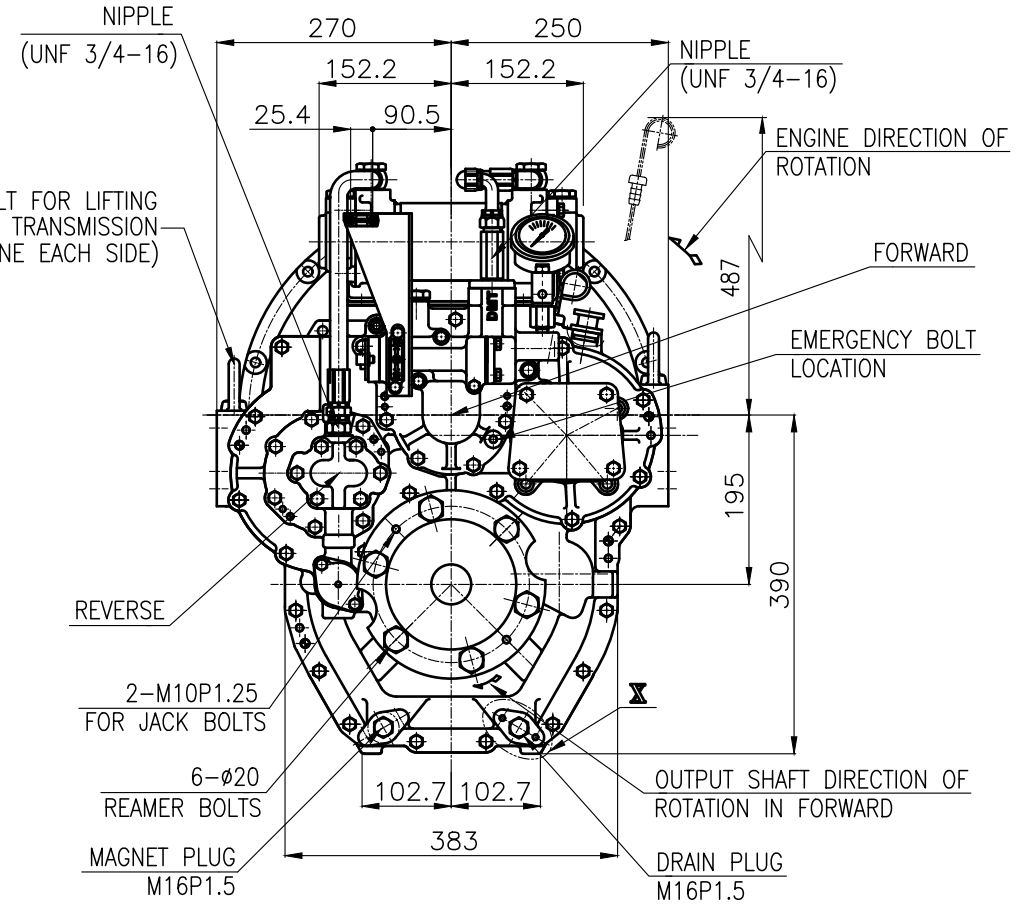
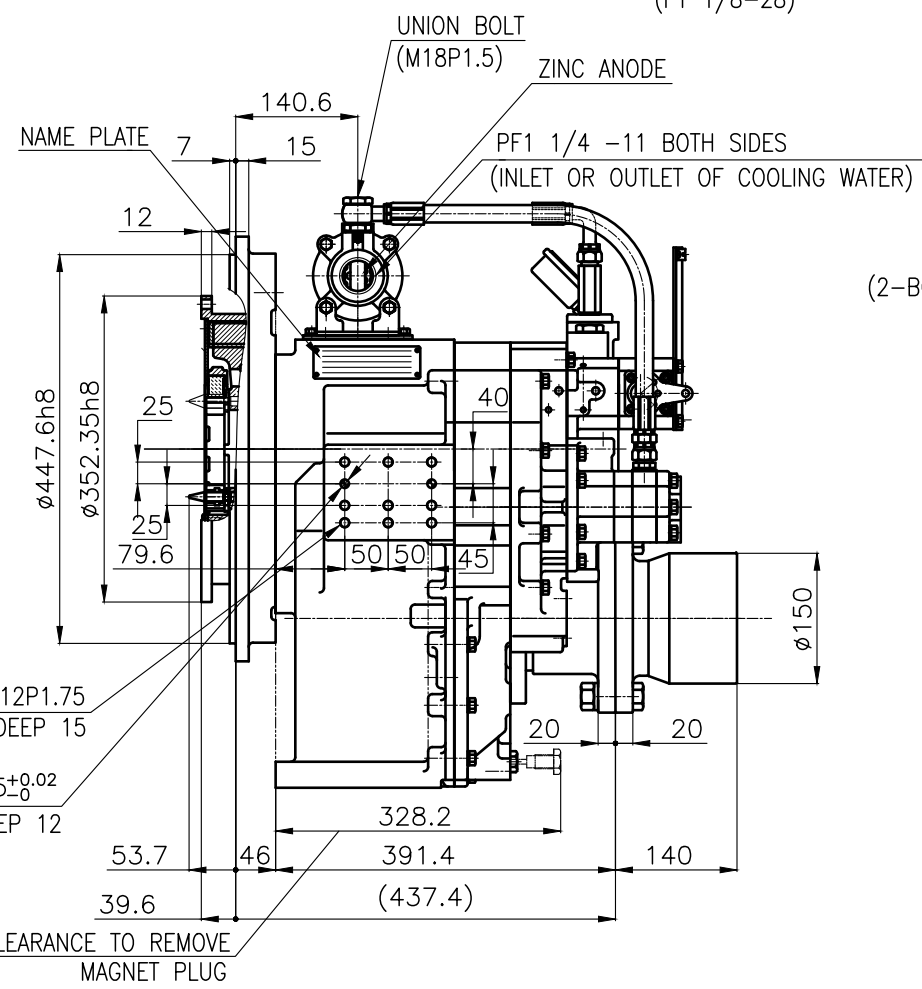
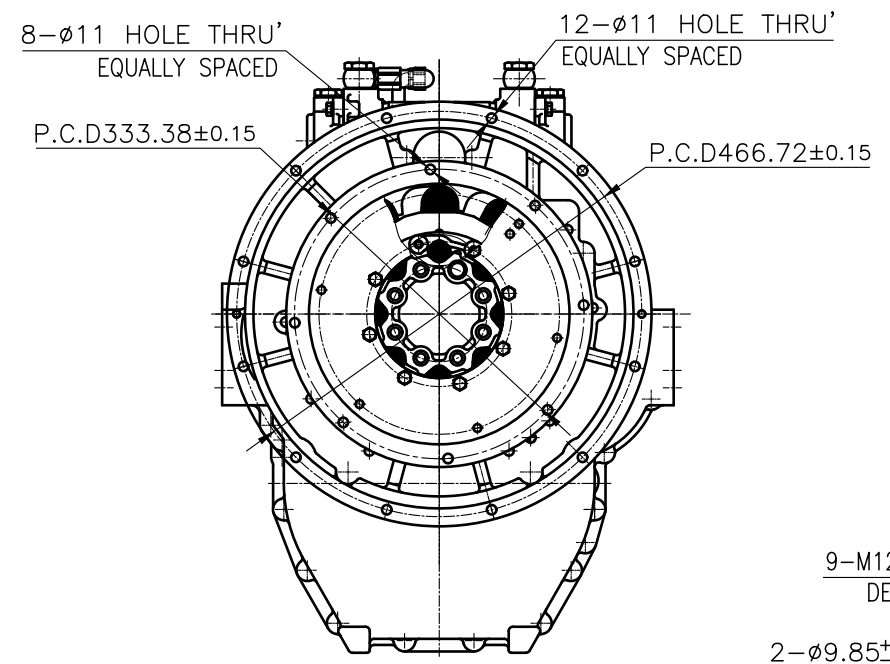
INPUT COUPLING DIMENSION



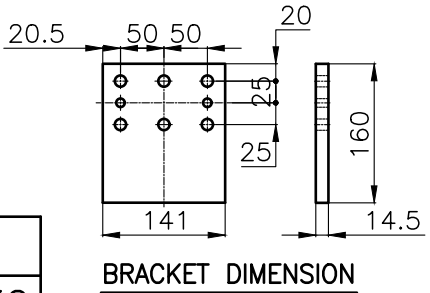
VIEW Y



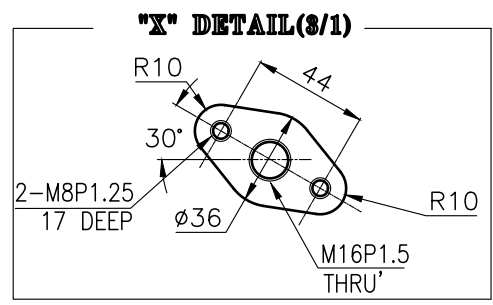
P.T.O ATTACHED



- REMARK
- 1.HOUSING: SAE#2
  - 2.DRIVING RING: SAE 11.5"
  - 3.COUPLING TYPE : DUAL STAGE



BRACKET DIMENSION

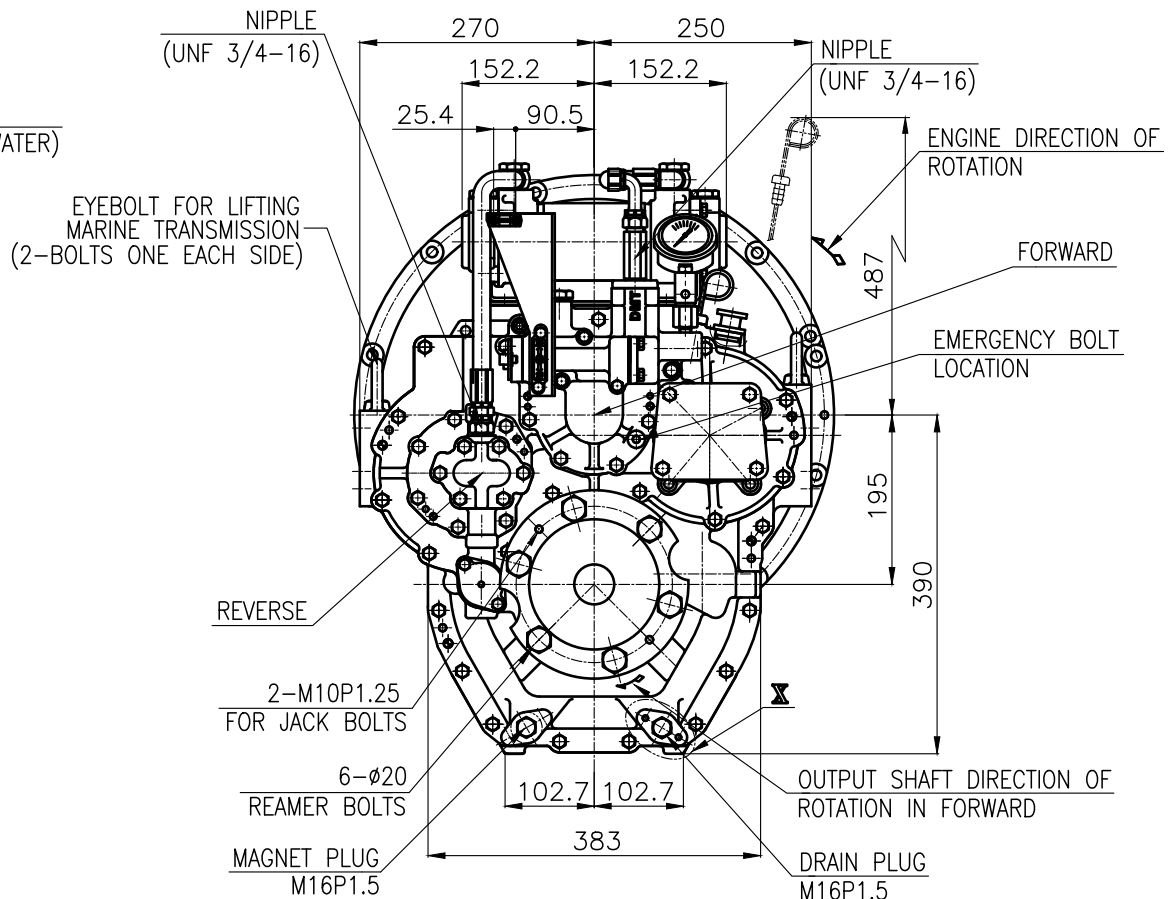
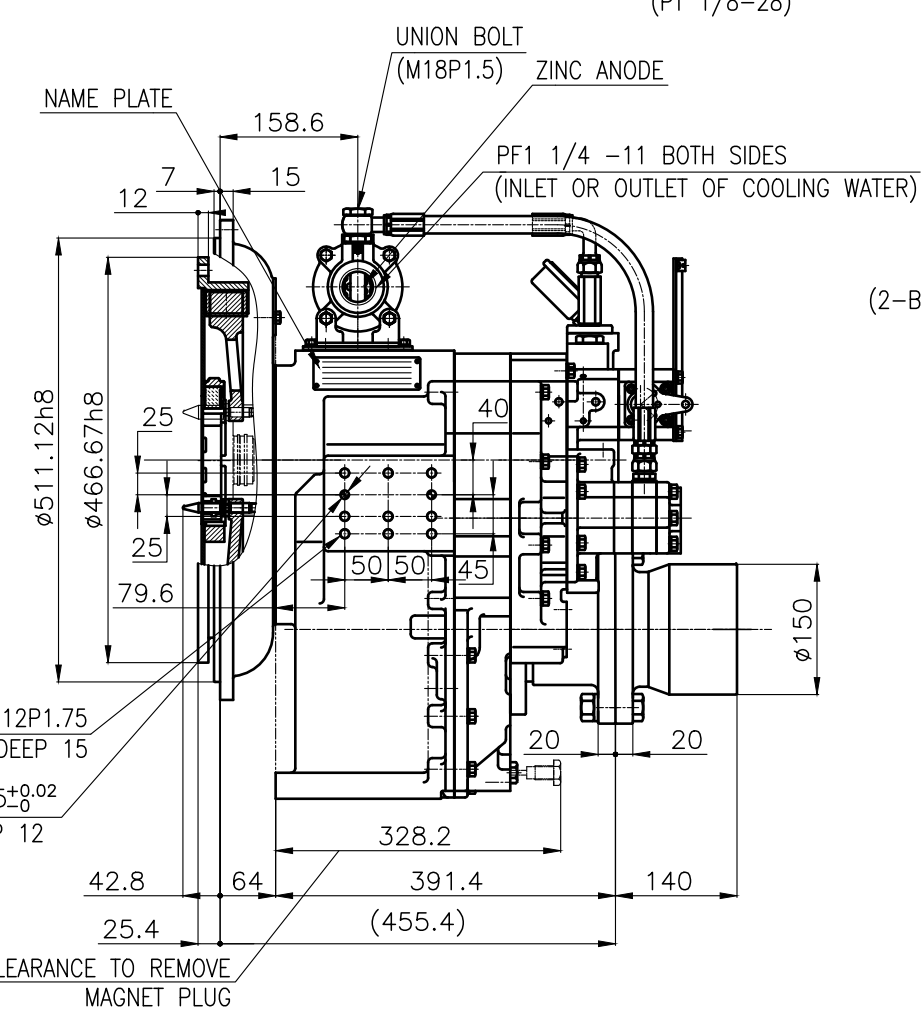
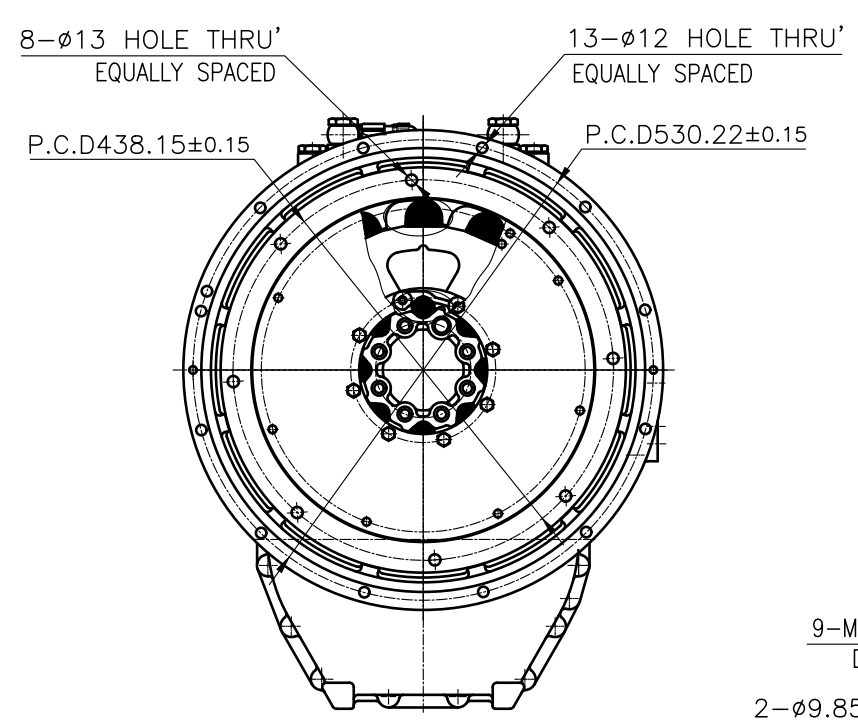
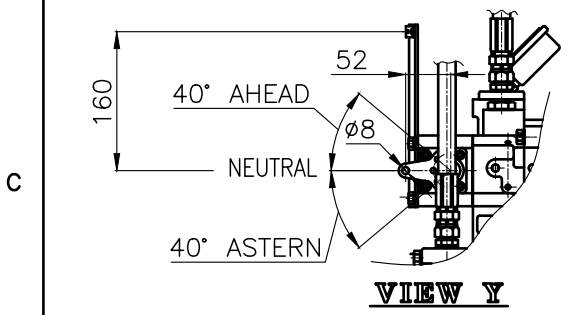
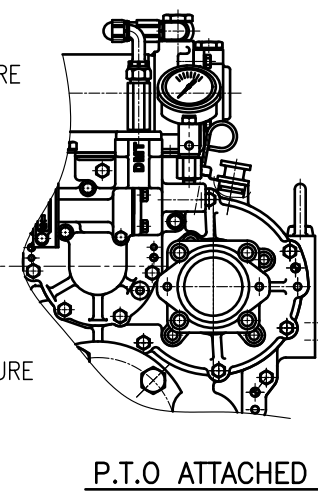
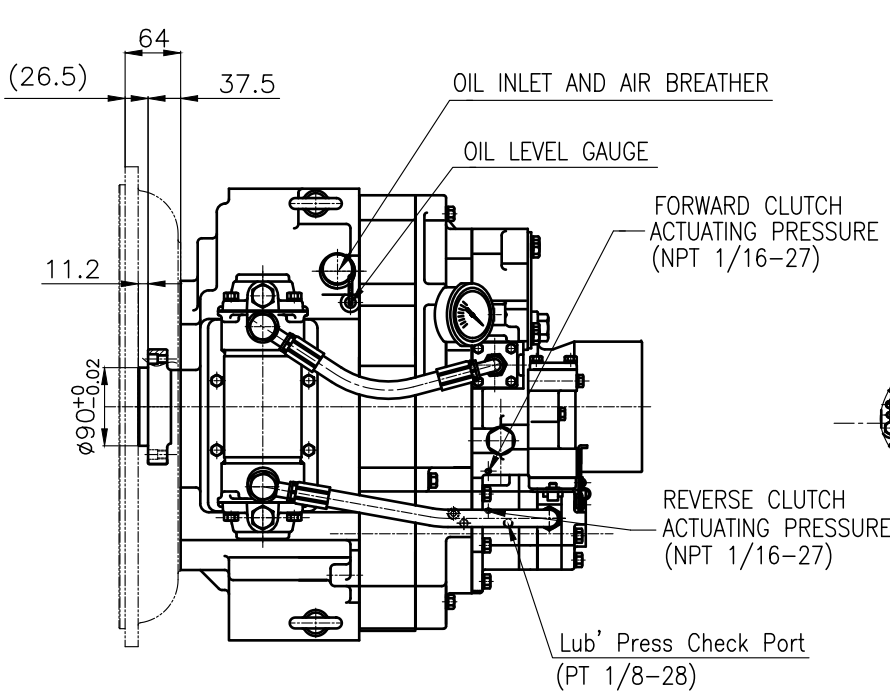
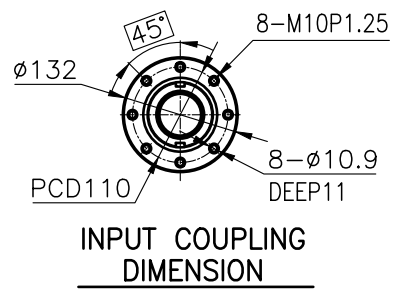
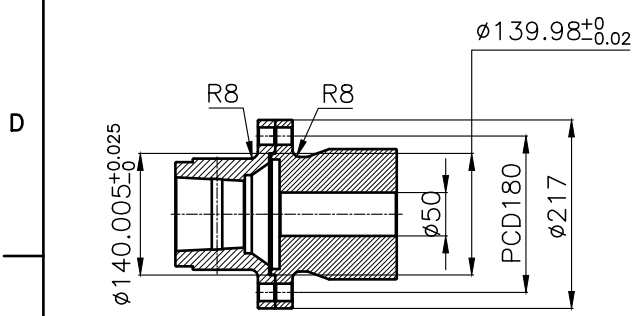


'X' DETAIL(8/1)

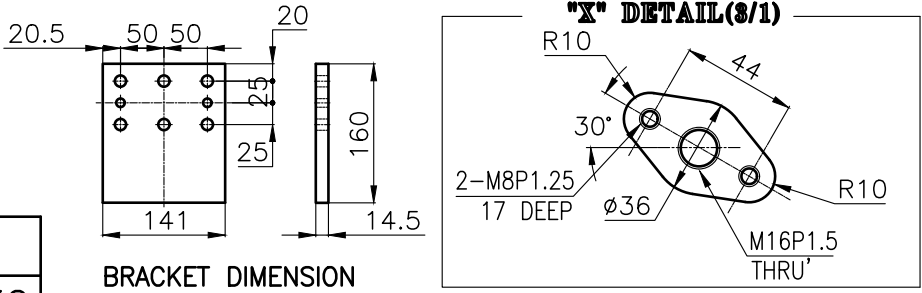
제품 HS Code	소재 HS Code	중량	263 KG
규격 SIZE			

공용공차 TOLERANCE ON			번호 NO.	품 PART NO.	품 PART NAME	개수 Q'TY	재 MATERIAL	규 SIZE	비 REMARKS
분수 FRACTIONS	소수 DECIMALS	각도 ANGLES	제 MATERIAL		명 식 TYPE	DMTP5100 ORIGINAL DWG. NO.			
± 0.1	± 0.05	± 0.5	2018.06.29		척도 SCALE 1/1	MARINE TRANSMISSION			
± 0.3	± 0.1	± 0.05	승 인 APPROVED BY JK.Kim	검 도 CHECKED BY TH.Cha	제 도 DRAWN CH.Baek	도 번 DWG. NO. 51000GA~F-2115DCH			
± 0.5	± 0.2	± 0.07	동 이 공 업(주)		크 기 SIZE A1	코 드 번 호 CODE ID. NO.			
± 0.7	± 0.3	± 0.1				SHEET 1 OF 1			
± 1.2	± 0.5	± 0.2				동이기술-003(841x594)			
± 2.0	± 0.8	± 0.3							

DMTP 5100 MARINE TRANSMISSION SPECIFICATION			
GEAR RATIO	1.47, 1.76, 1.93, 2.48, 3.08, 3.46		
TOTAL WEIGHT	APPROX. 263 kg(DRY)		
OIL CAPACITY	APPROX. 5 L		
OIL VISCOSITY	SAE # 30		
OIL PRESSURE	1.96 ~ 2.35 MPa	CLUTCH OIL	
DIRECTION OF ROTATION	INPUT	C.C.W VIEWED FROM THE STERN	
IN FORWARD	OUTPUT	C.W VIEWED FROM THE STERN	
OIL CHANGE INTERVAL	THE FIRST 100HOURS OF INITIAL OPERATION AND EVERY 1000HOURS THEREAFTER		
SHIFTING LIMIT	UNDER 50% OF THE RATED ENGINE SPEED		
OIL COOLER	WATER FLOW 40 ~ 60L/min		TEMPERATURE OF COOLING WATER MAX 32°C
	OPERATING TORQUE OF SHIFTING LEVER		



- REMARK
- 1.HOUSING: SAE#1
  - 2.DRIVING RING: SAE 14"
  - 3.COUPLING TYPE : DUAL STAGE



제 품 HS Code	소 재 HS Code	중 량 Weight	263 KG
규 격 SIZE			

公差公差 TOLERANCE ON			번호 NO.	품 PART NO.	품 PART NAME	개 수 Q'TY	재 집 MATERIAL	규 SIZE	비 REMARKS
분 수 FRACTIONS	소 수 DECIMALS	각 도 ANGLES	제 MATERIAL		명 식 TYPE	DMTP5100 ORIGINAL DWG. NO.			
±	±	±	승 인 APPROVED BY	검 도 CHECKED BY	제 도 DRAWN	설 계 DESIGNED	品 명 NAME MARINE TRANSMISSION		
±	±	±	JK.Kim	TH.Cha	CH.Baek		도 번 DWG. NO. 51000GA~F-114DCH		
±	±	±	동 이 공 업(주) DONGI KONGYUP (CO., LTD.)			크 기 SIZE A1	코 드 번 호 CODE ID. NO.		
±	±	±					계 형 (REV.) 000		