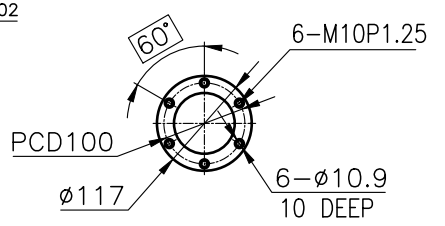
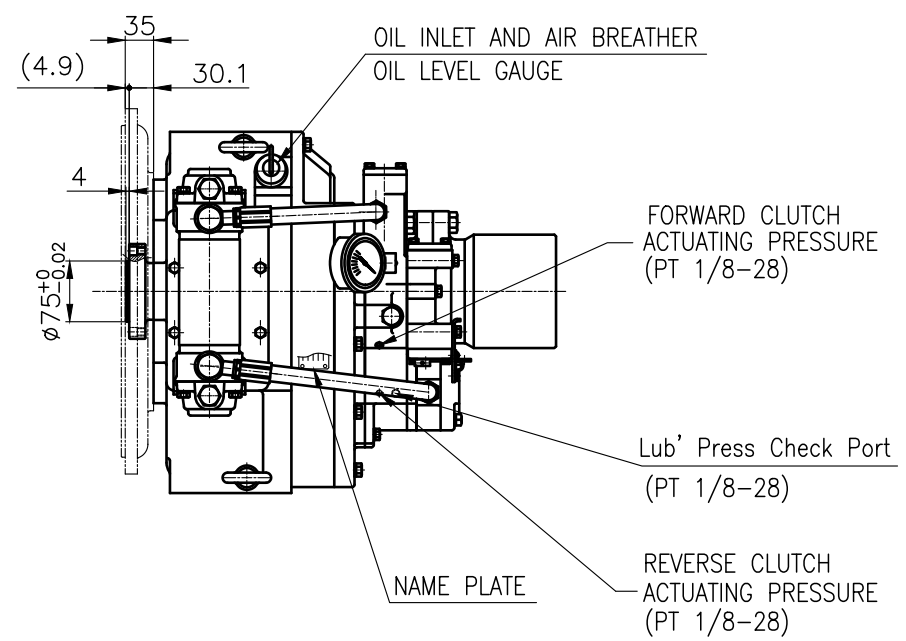


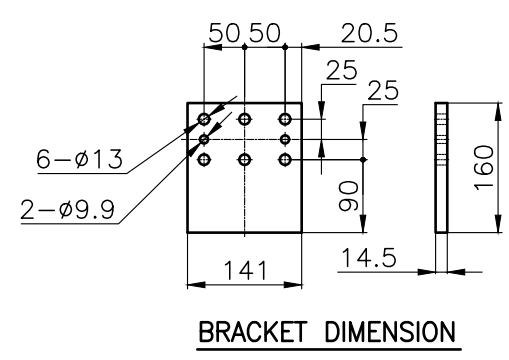
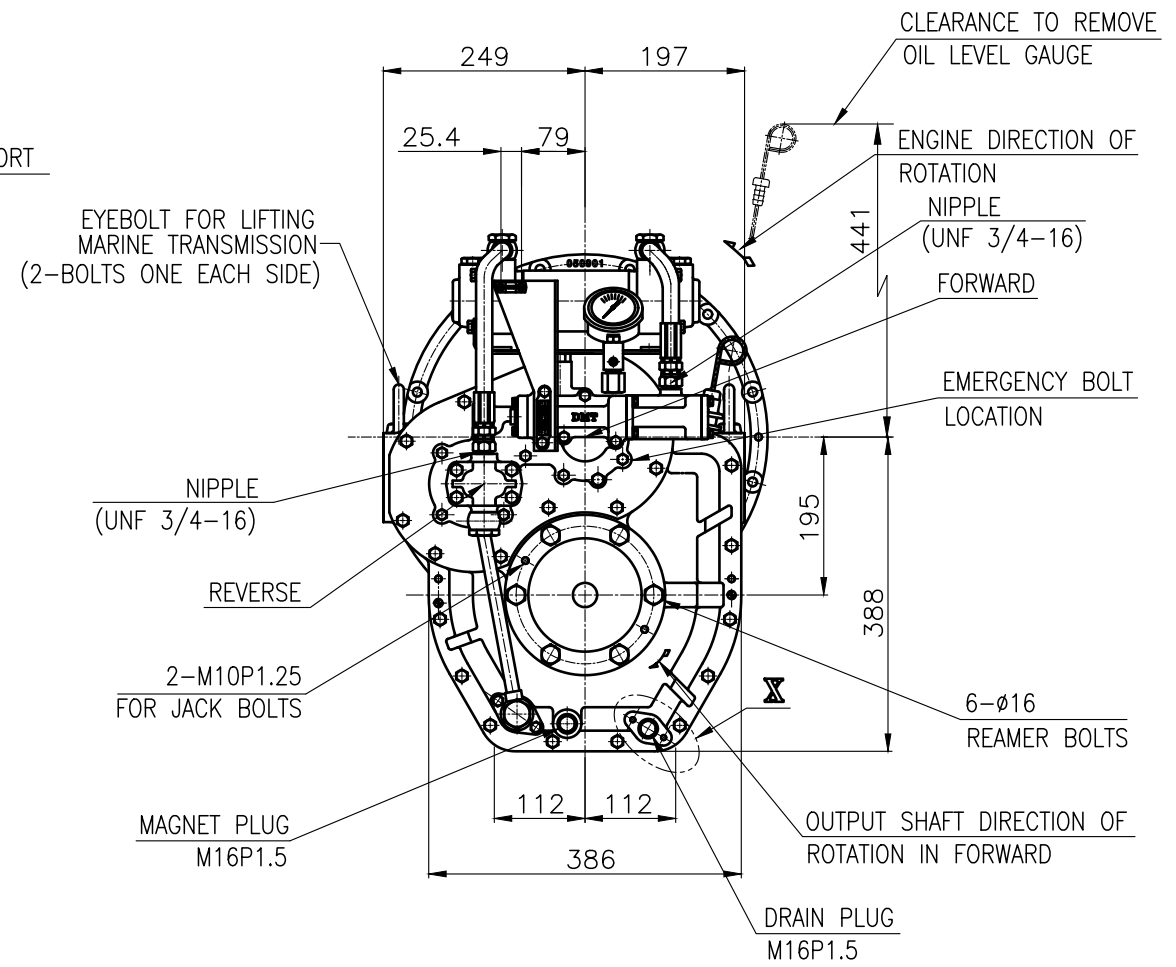
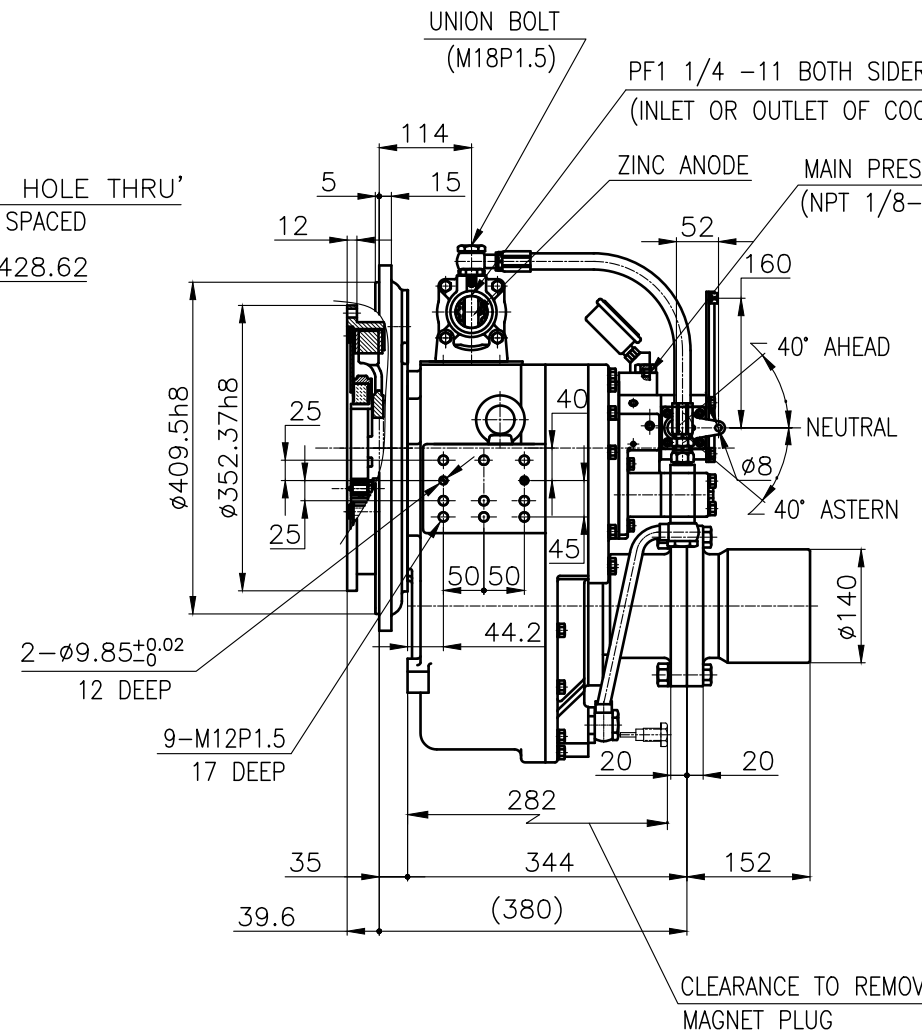
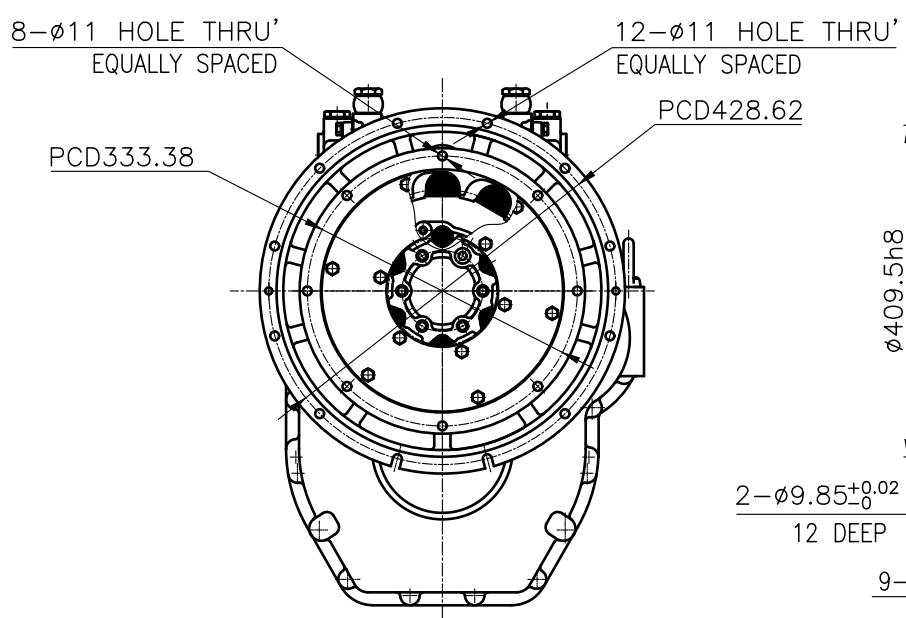
OUTPUT SHAFT COUPLING & PROPELLER COUPLING DIMENSION



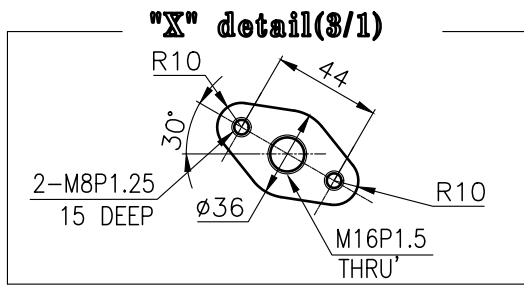
INPUT COUPLING DIMENSION



DMT 140H MARINE TRANSMISSION SPECIFICATION	
GEAR RATIO	1.97, 2.57, 3.03, 3.46
TOTAL WEIGHT	APPROX. 250 kg(DRY)
OIL CAPACITY	APPROX. 4 L
OIL VISCOSITY	SAE # 30
OIL PRESSURE	1.96 ~ 2.54 MPa CLUTCH OIL
DIRECTION OF ROTATION	INPUT C.C.W VIEWED FROM THE STERN
IN FORWARD	OUTPUT C.W VIEWED FROM THE STERN
OIL CHANGE INTERVAL	THE FIRST 100HOURS OF INITIAL OPERATION AND EVERY 1000HOURS THEREAFTER
SHIFTING LIMIT	UNDER 50% OF THE RATED ENGINE SPEED
OIL COOLER	WATER FLOW 40 ~ 60L/min
	TEMPERATURE OF COOLING WATER MAX 32°C
OPERATING TORQUE OF SHIFTING LEVER	UNDER 2.94Nm

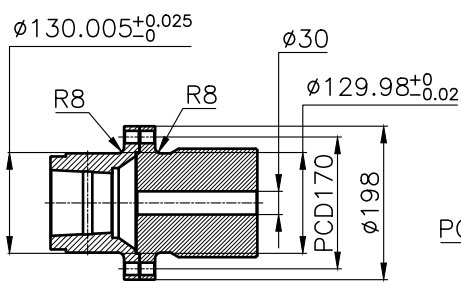


BRACKET DIMENSION

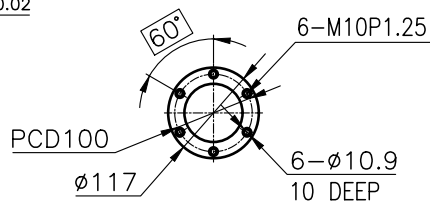


- REMARK
- 1.HOUSING: SAE#3
 - 2.DRIVING RING: SAE 11.5"
 - 3.COUPLING TYPE : DUAL STAGE
 - 4.APPLICATION ENGINE : STANDARD

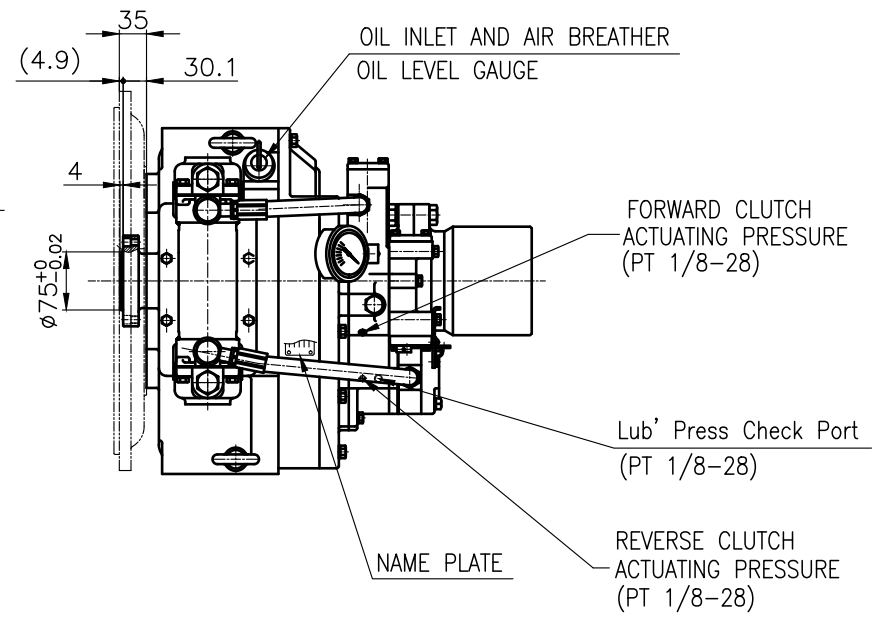
公差公差 TOLERANCE ON		번호 NO.	품 PART NO.	품 PART NAME	개수 Q'TY	재 MATERIAL	규 SIZE	비 REMARKS
분수 FRACTIONS	소수 DECIMALS	각도 ANGLES	재 MATERIAL		형 TYPE	DMT140H ORIGINAL DWG. NO.		
±	±	±	작성 DATE 2018.06.20	척도 SCALE N/S	품 NAME	MARINE TRANSMISSION		
±	±	±	승 인 APPROVED BY JK.Kim	검 도 CHECKED BY TH.Cha	제 도 DRAWN BJ.Moon	설 계 DESIGNED	도 DWG. NO. 14000GA~D-3115DC	개 정 (REV.) 000
구 구분	조급	중급	D-I INDUSTRIAL		크 기 SIZE	A 3	코 드 번호 CODE ID. NO.	
1 초과 4 이하	± 0.3	± 0.1						
4 16	± 0.5	± 0.2						
16 63	± 0.7	± 0.3						
63 250	± 1.2	± 0.5						
250 1000	± 2.0	± 0.8						



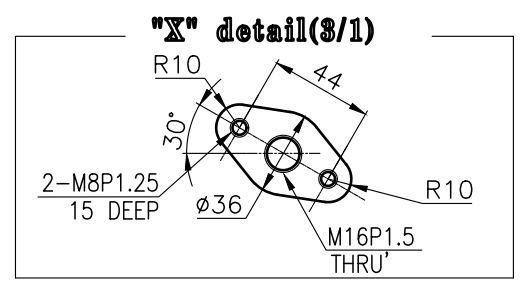
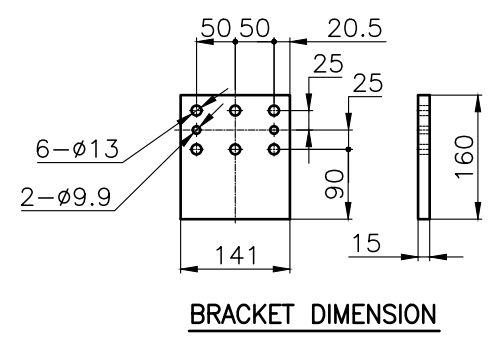
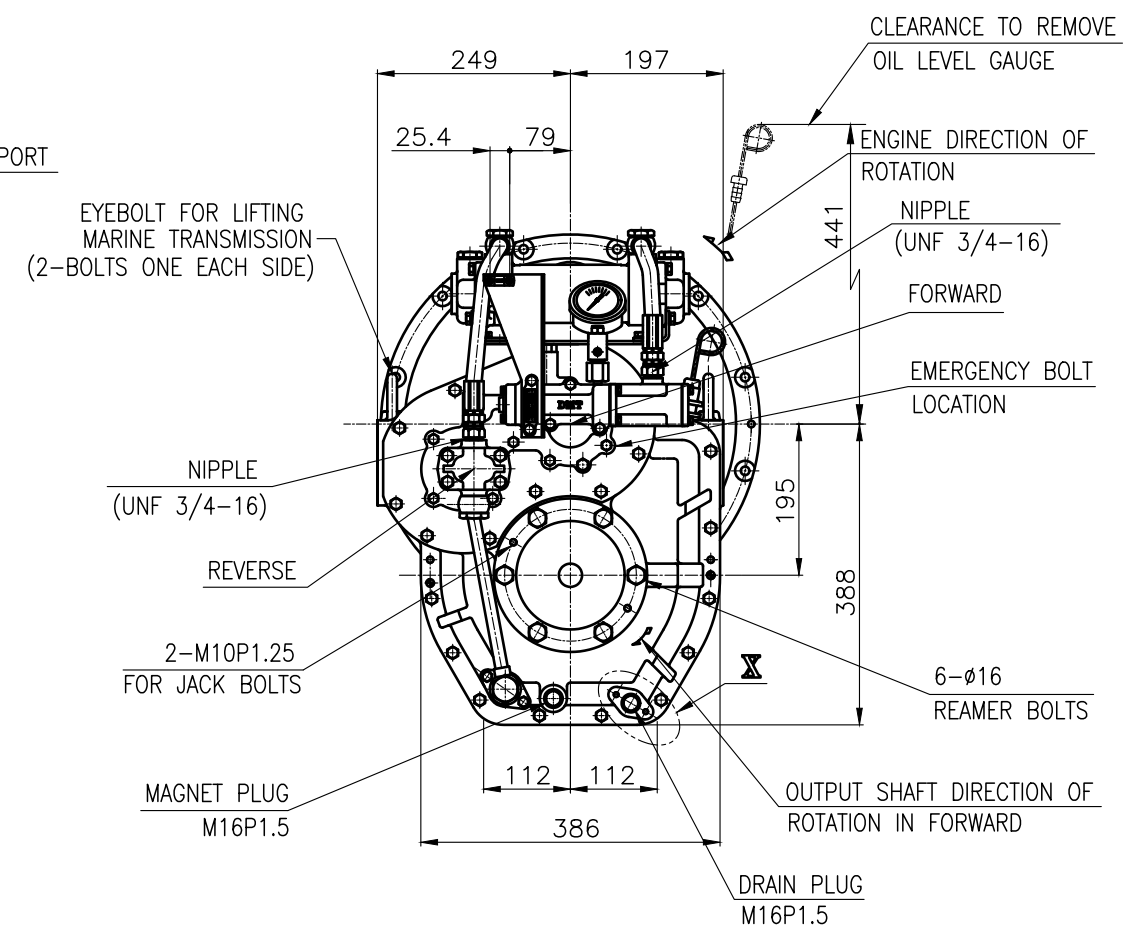
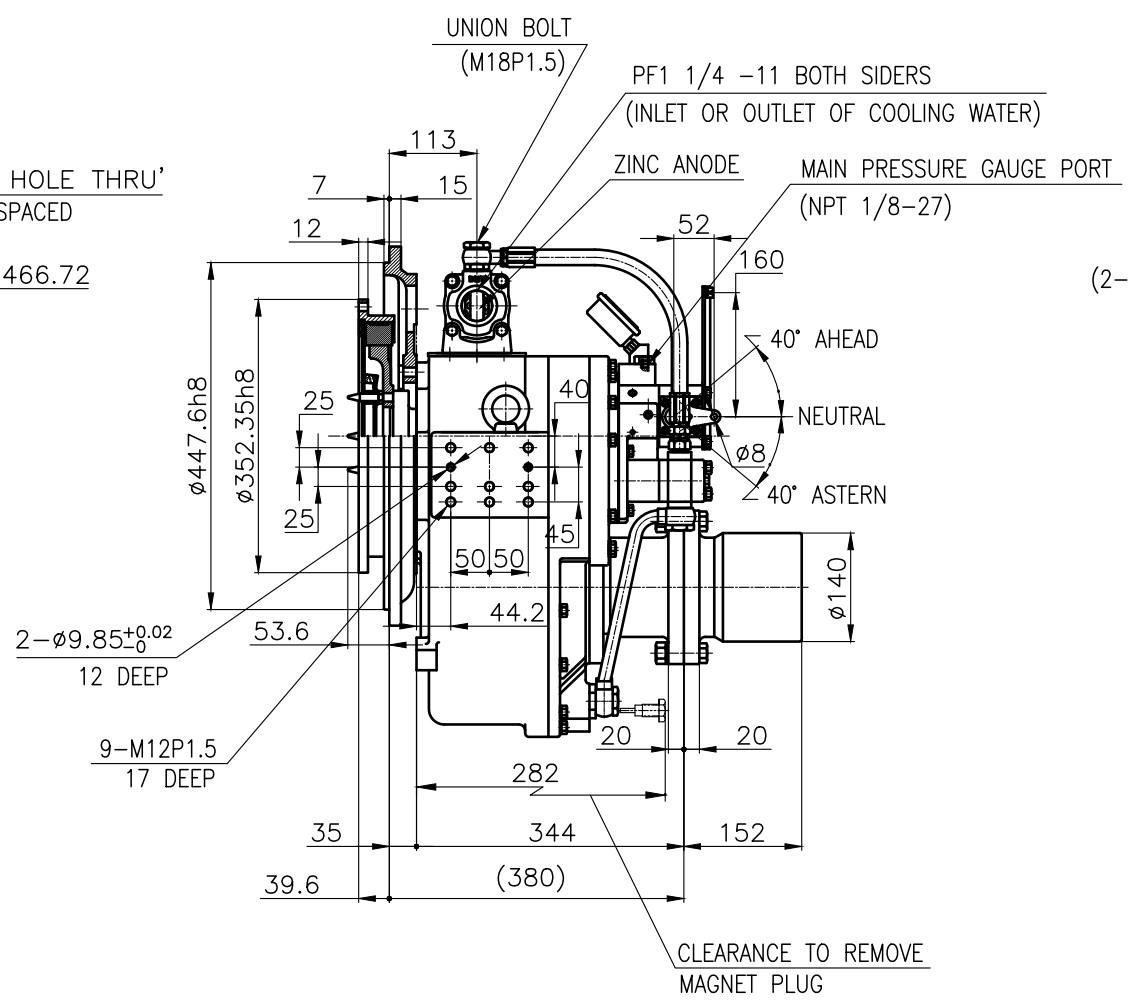
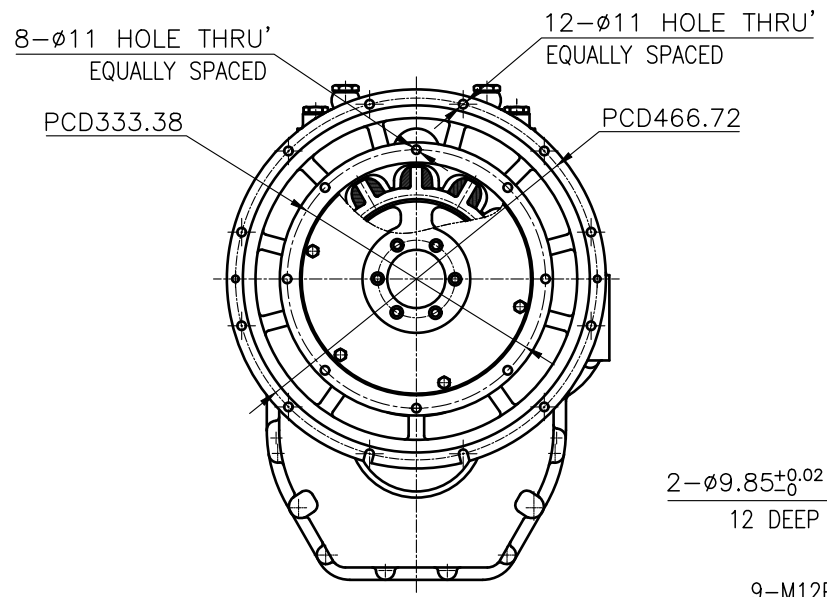
OUTPUT SHAFT COUPLING & PROPELLER COUPLING DIMENSION



INPUT COUPLING DIMENSION

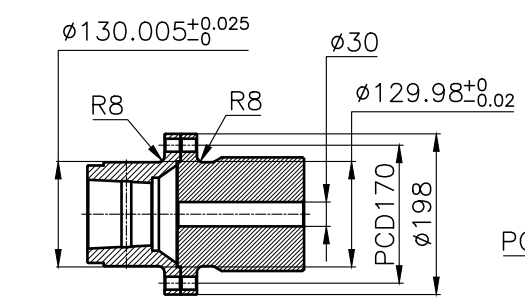


DMT 140H MARINE TRANSMISSION SPECIFICATION		
GEAR RATIO	1.97, 2.57, 3.03, 3.46	
TOTAL WEIGHT	APPROX. 250 kg(DRY)	
OIL CAPACITY	APPROX. 4 L	
OIL VISCOSITY	SAE # 30	
OIL PRESSURE	1.96 ~ 2.35 MPa	CLUTCH OIL
DIRECTION OF ROTATION	INPUT	C.C.W VIEWED FROM THE STERN
	OUTPUT	C.W VIEWED FROM THE STERN
OIL CHANGE INTERVAL	THE FIRST 100HOURS OF INITIAL OPERATION AND EVERY 1000HOURS THEREAFTER	
SHIFTING LIMIT	UNDER 50% OF THE RATED ENGINE SPEED	
OIL COOLER	WATER FLOW 40 ~ 60L/min	
	TEMPERATURE OF COOLING WATER	MAX 32°C
OPERATING TORQUE OF SHIFTING LEVER	UNDER 2.94Nm	

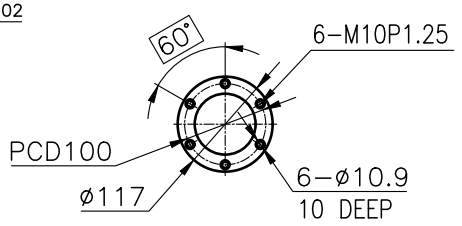


REMARK
 1.HOUSING: SAE#2
 2.DRIVING RING: SAE 11.5"
 3.COUPLING TYPE : DUAL STAGE

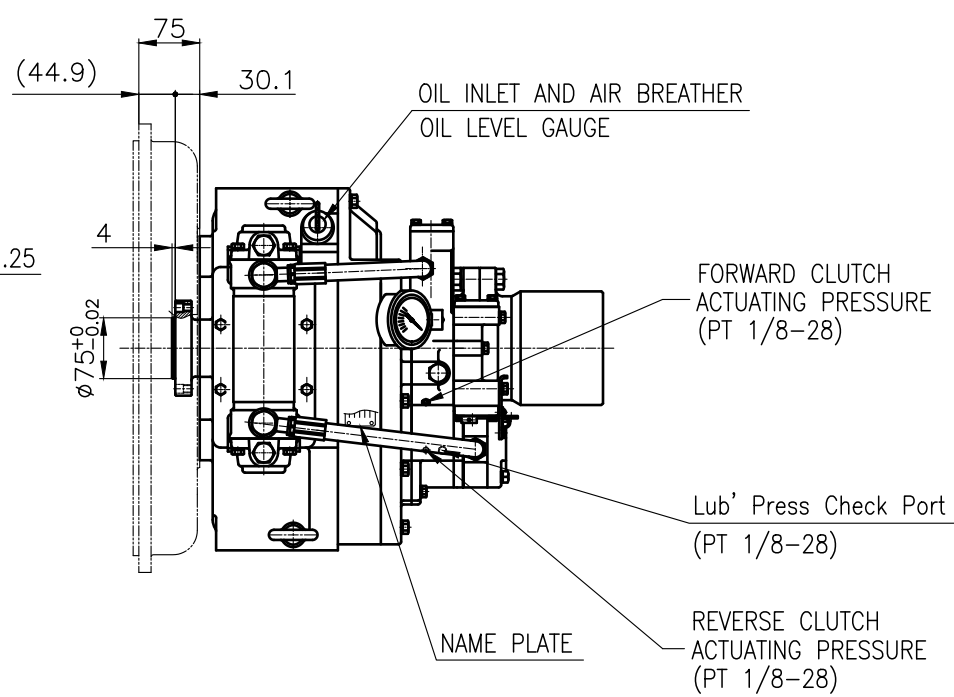
TOLERANCE ON				변호 NO.	품 PART NO. 번	품 PART NAME 명	개수 Q'TY	재 MATERIAL	규 SIZE	비 REMARKS
분수 FRACTIONS	소수 DECIMALS	각도 ANGLES	정규	재 MATERIAL	작성 DATE	척도 SCALE	형 식 TYPE	원 도 번 ORIGINAL DWG. NO.		
±	±	±	±	JK.Kim	2018.06.20	N/S	DMT140H			
±	±	±	±	KS.Han			MARINE TRANSMISSION			
±	±	±	±	BJ.Moon			14000GA~D-2115DC			
±	±	±	±	D-I INDUSTRIAL		크 기 SIZE	A 3	코-드 번호 CODE ID. NO.		



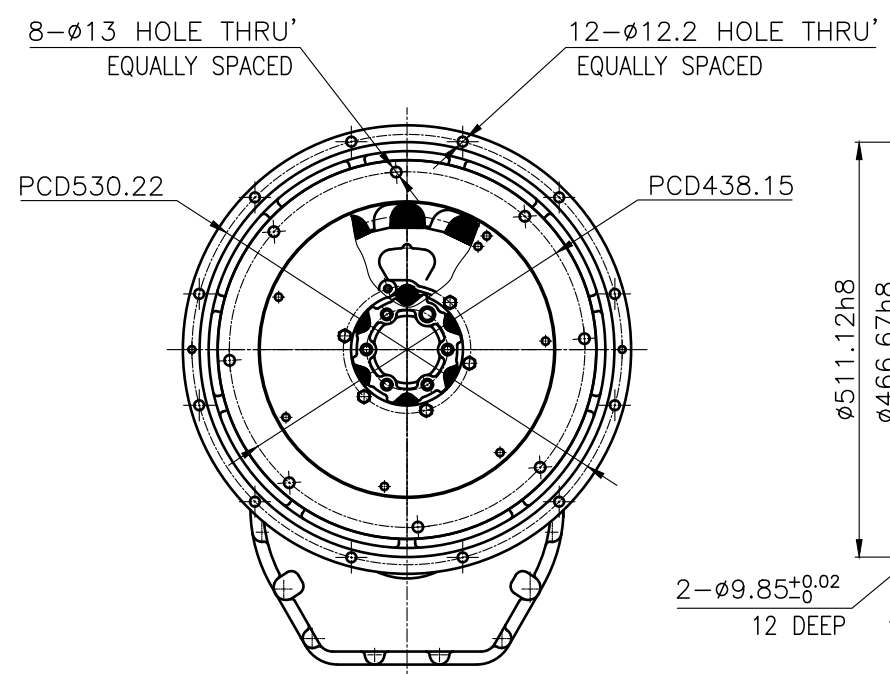
OUTPUT SHAFT COUPLING & PROPELLER COUPLING DIMENSION



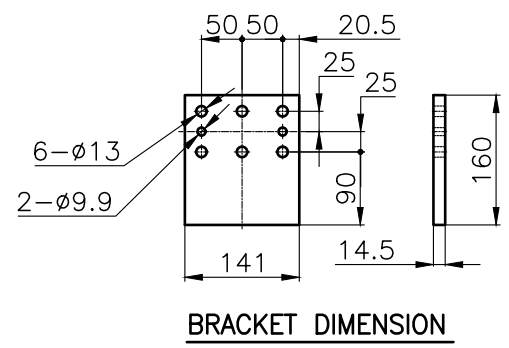
INPUT COUPLING DIMENSION



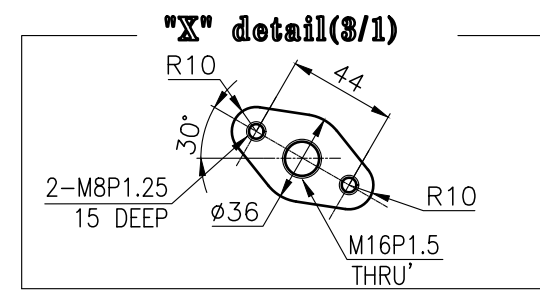
DMT 140H MARINE TRANSMISSION SPECIFICATION			
GEAR RATIO	1.97, 2.57, 3.03, 3.46		
TOTAL WEIGHT	APPROX. 250 kg(DRY)		
OIL CAPACITY	APPROX. 4 L		
OIL VISCOSITY	SAE # 30		
OIL PRESSURE	1.96 ~ 2.54 MPa	CLUTCH OIL	
DIRECTION OF ROTATION	INPUT	C.C.W VIEWED FROM THE STERN	
	OUTPUT	C.W VIEWED FROM THE STERN	
OIL CHANGE INTERVAL	THE FIRST 100HOURS OF INITIAL OPERATION AND EVERY 1000HOURS THEREAFTER		
SHIFTING LIMIT	UNDER 50% OF THE RATED ENGINE SPEED		
OIL COOLER	WATER FLOW 40 ~ 60L/min		TEMPERATURE OF COOLING WATER MAX 32°C
	OPERATING TORQUE OF SHIFTING LEVER		UNDER 2.94Nm



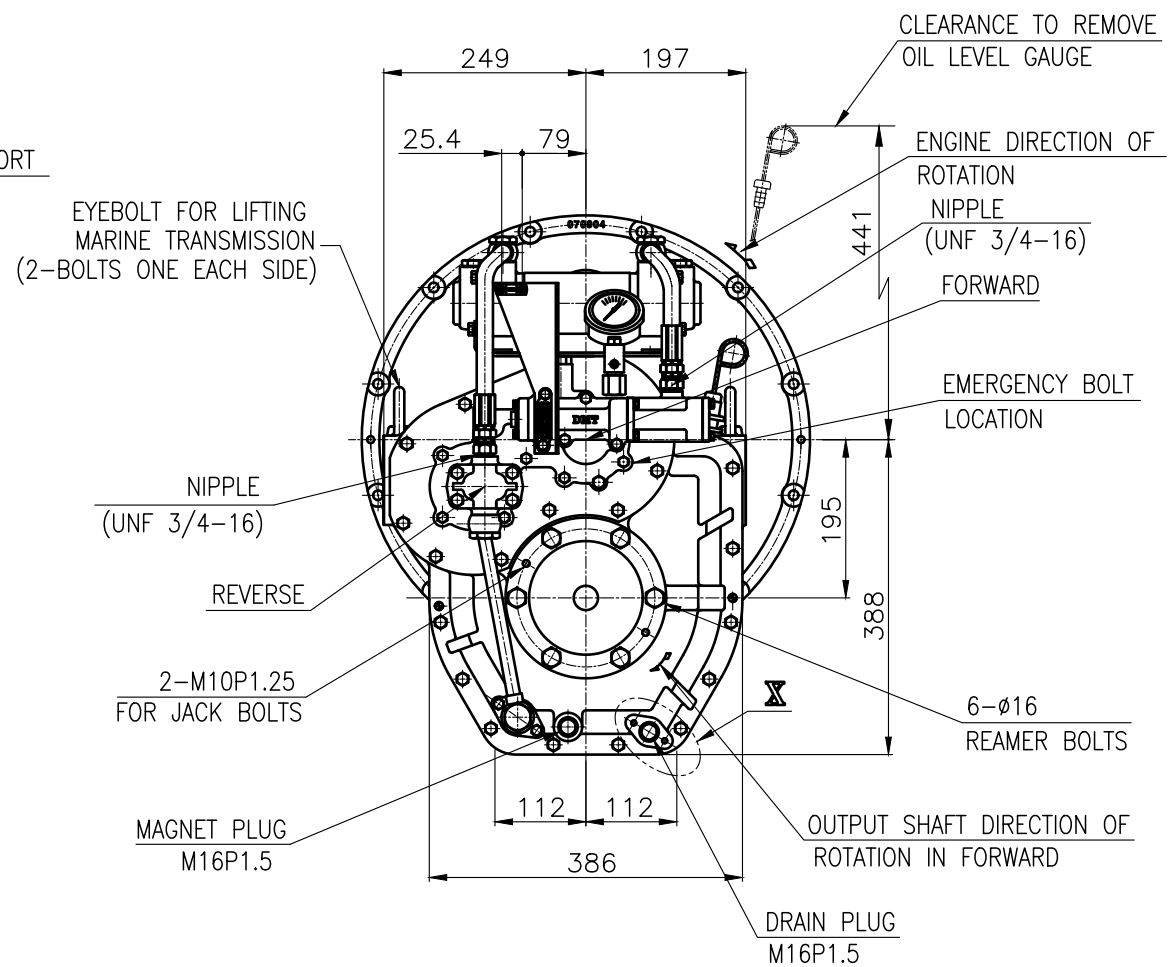
- REMARK
- HOUSING: SAE#1
 - DRIVING RING: SAE 14"
 - COUPLING TYPE : DUAL STAGE
 - APPLICATION ENGINE : STANDARD



BRACKET DIMENSION



'X' detail(3/1)



TOLERANCE ON				PART NO.		PART NAME		Q'TY		MATERIAL		SIZE		REMARKS	
FRACTIONS	DECIMALS	ANGLES		NO.	REV.										
±	±	±													
필사 가공				MATERIAL		SCALE		TYPE		NAME		DWG. NO.		ORIGINAL DWG. NO.	
				2018.06.20		N/S		DMT140H		MARINE TRANSMISSION		14000GA~D-114DC		000	
				APPROVED BY		CHECKED BY		DESIGNED		DWG. NO.		CODE ID. NO.			
				JK.Kim		TH.Cha		BJ.Moon		14000GA~D-114DC		A 8			
				1 초과 4 이하		± 0.3 ± 0.1 ± 0.05									
				4 16		± 0.5 ± 0.2 ± 0.07									
				16 63		± 0.7 ± 0.3 ± 0.1									
				63 250		± 1.2 ± 0.5 ± 0.2									
				250 1000		± 2.0 ± 0.8 ± 0.3									

