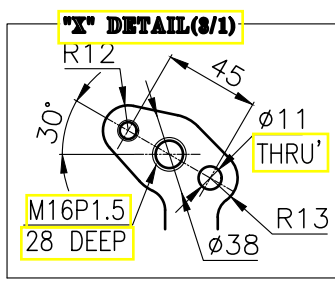
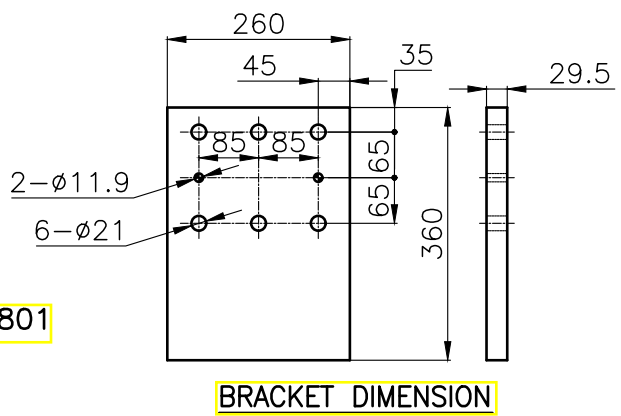
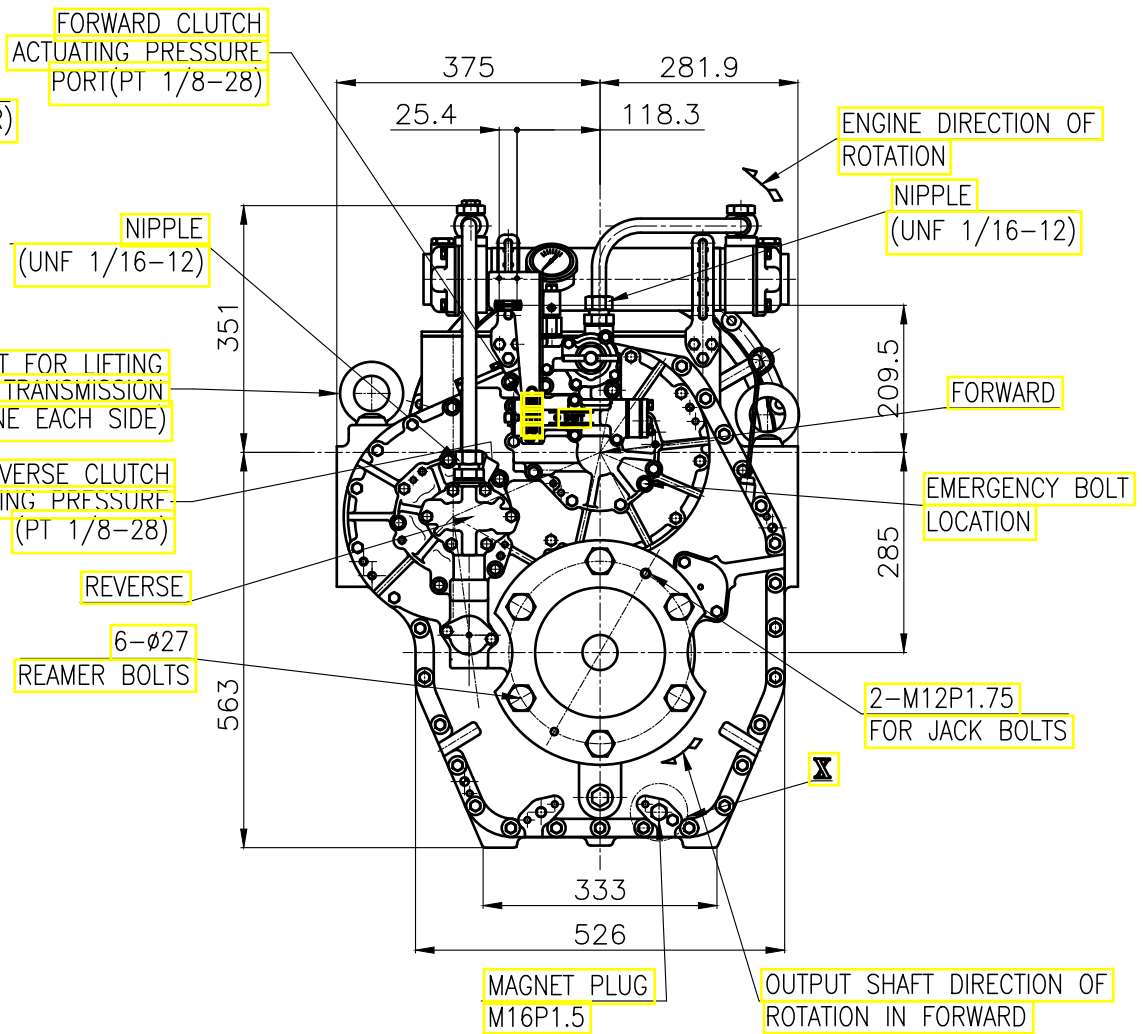
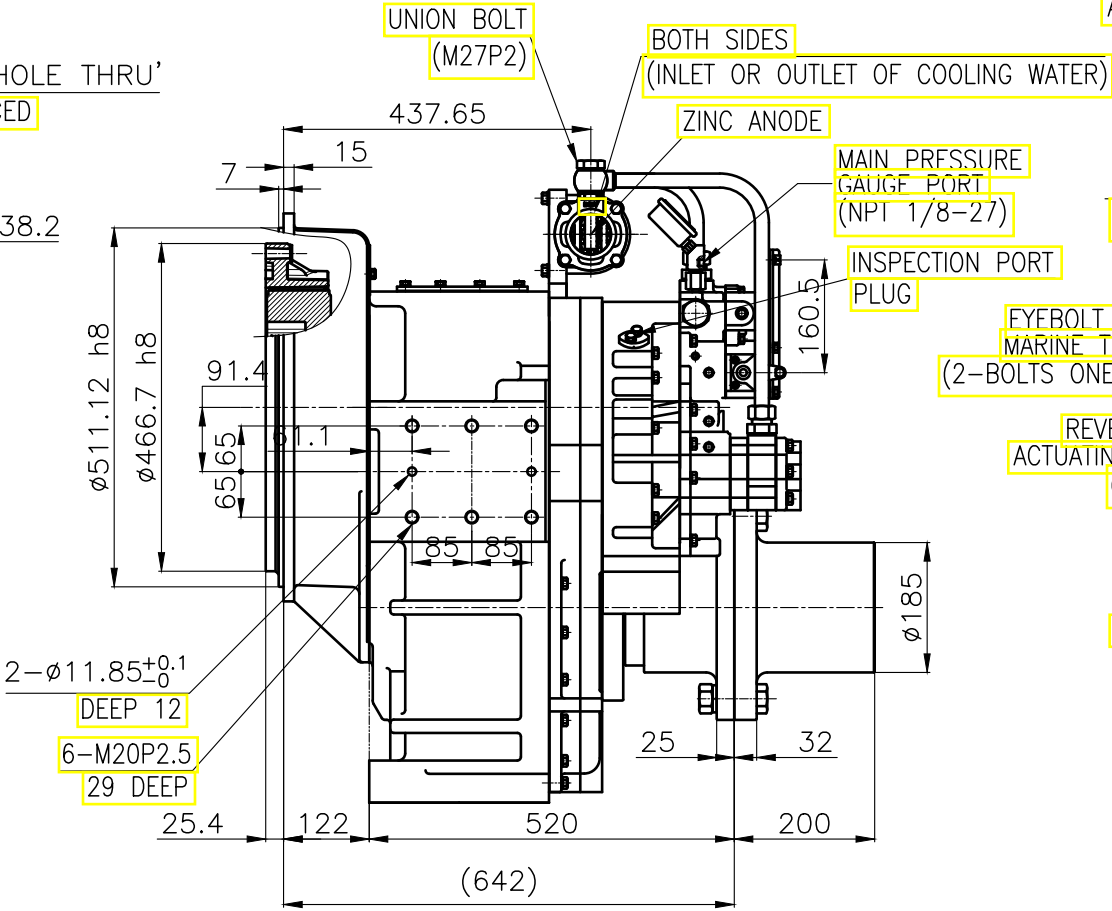
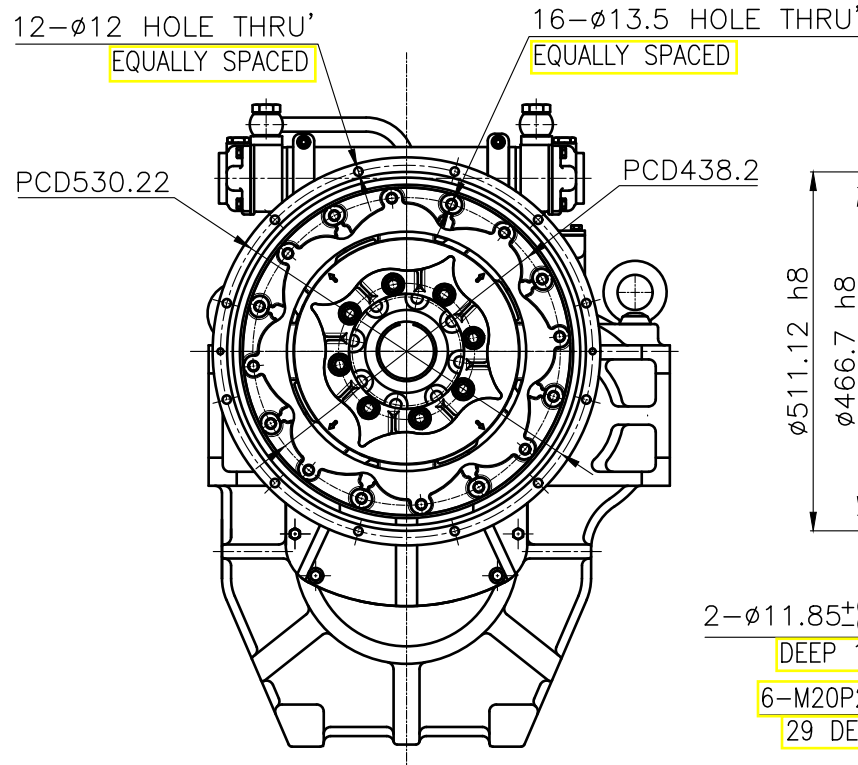


DMT430H MARINE TRANSMISSION SPECIFICATION	
GEAR RATIO	2.06, 2.44, 2.93, 3.23, 3.4
TOTAL WEIGHT	APPROX. 694Kg(DRY)
OIL CAPACITY	APPROX. 11L
OIL VISCOSITY	SAE # 30
OIL PRESSURE	1.96 ~ 2.54 MPa CLUTCH OIL
DIRECTION OF ROTATION	INPUT C.C.W VIEWED FROM THE STERN
IN FORWARD	OUTPUT C.W VIEWED FROM THE STERN
OIL CHANGE INTERVAL	THE FIRST 100HOURS OF INITIAL OPERATION AND EVERY 1000HOURS THEREAFTER
SHIFTING LIMIT	UNDER 50% OF THE RATED ENGINE SPEED
OIL COOLER	WATER FLOW 90 ~ 12CL/m TEMPERATURE OF COOLING WATER MAX 32°C
OPERATING TORQUE OF SHIFTING LEVER	UNDER 2.94Nm

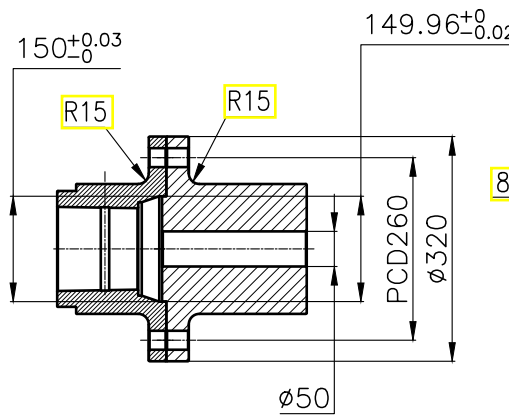


- REMARK**
- HOUSING : SAE# 1
  - DRIVING RING : SAE 14"
  - COUPLING TYPE  
- CENTA Flex Coupling : 77318801

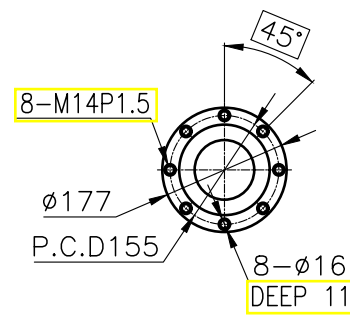
TOLERANCE ON		PART NO.		PART NAME		QTY		MATERIAL		SIZE		REMARKS	
FRACTIONS	DECIMALS	각도	분수	소수	각도	형식	수량	소재	규격	비고	비고	비고	비고
±0.05	±0.05	±0.1	±0.1	±0.05	±0.05	DMT430H	1	SAE 14"	DMT430H	1	DMT430H	1	ORIGINAL DWG. NO.
±0.07	±0.07	±0.2	±0.2	±0.07	±0.07	MARINE TRANSMISSION	1	SAE 14"	MARINE TRANSMISSION	1	MARINE TRANSMISSION	1	ORIGINAL DWG. NO.
±0.1	±0.1	±0.3	±0.3	±0.1	±0.1	43000GA~E-114CFR	1	SAE 14"	43000GA~E-114CFR	1	43000GA~E-114CFR	1	ORIGINAL DWG. NO.
±0.2	±0.2	±0.5	±0.5	±0.2	±0.2								
±0.3	±0.3	±0.7	±0.7	±0.3	±0.3								
±0.5	±0.5	±1.2	±1.2	±0.5	±0.5								
±0.8	±0.8	±2.0	±2.0	±0.8	±0.8								

D-I INDUSTRIAL

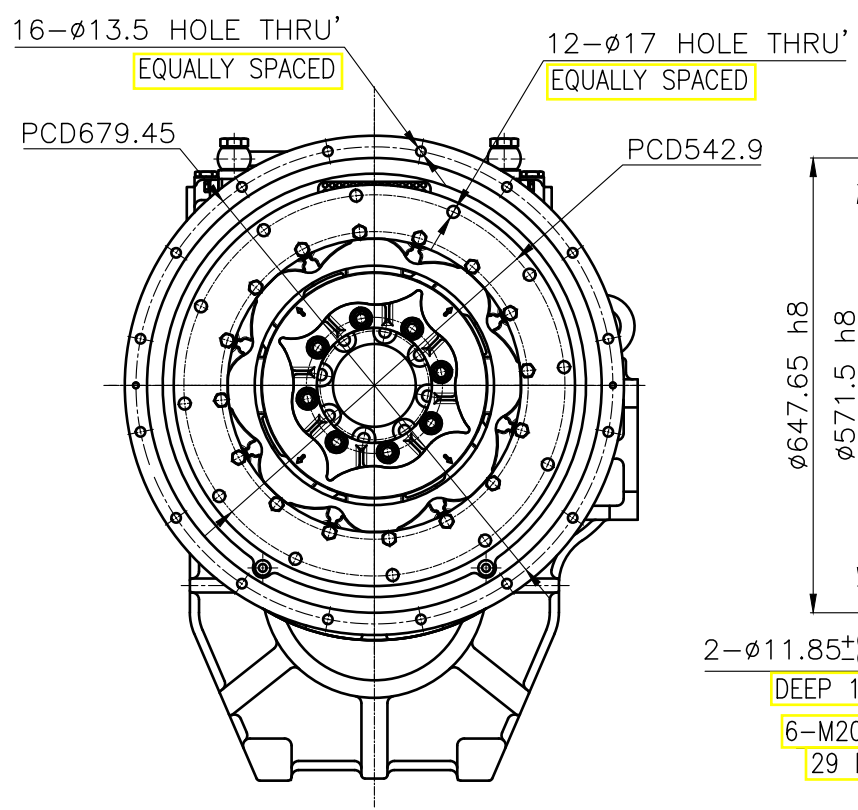
SIZE A0 CODE ID. NO.



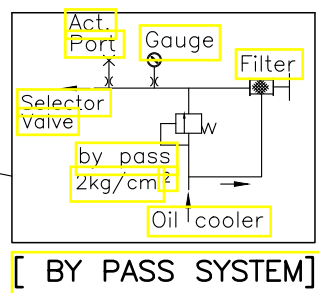
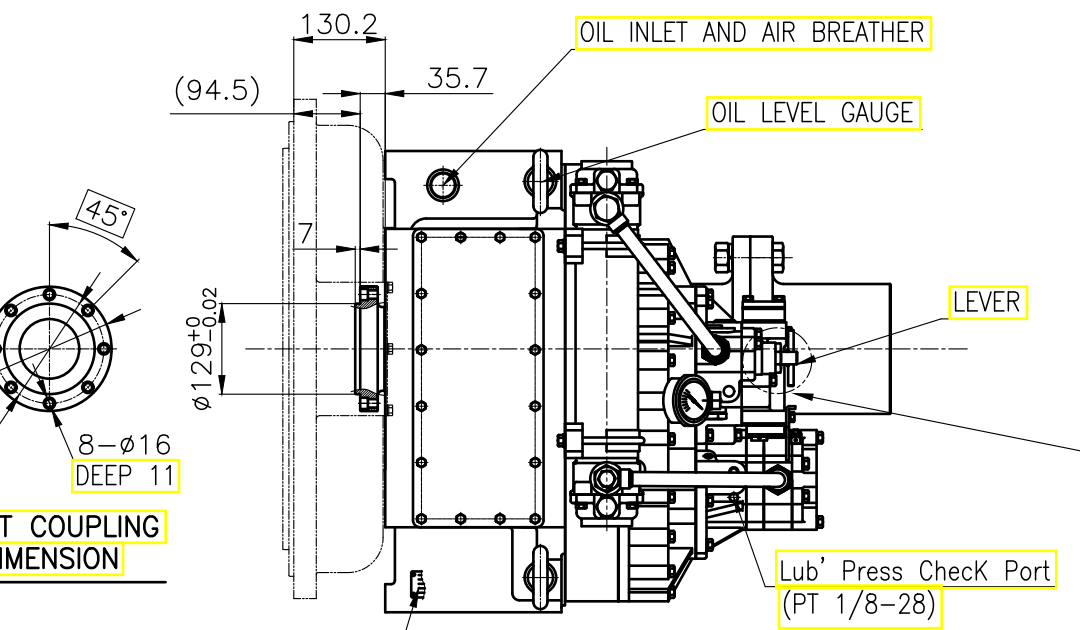
OUTPUT SHAFT COUPLING & PROPELLER COUPLING DIMENSION



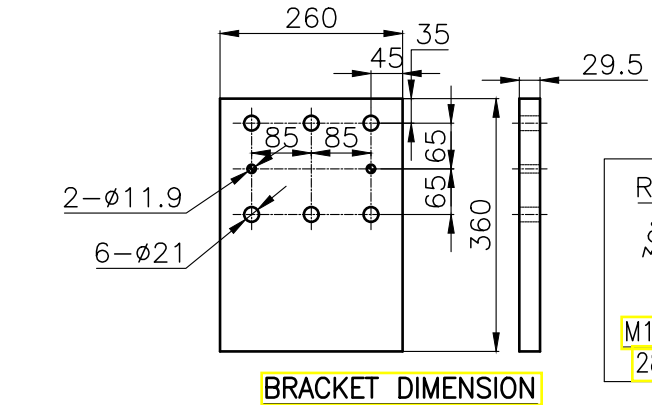
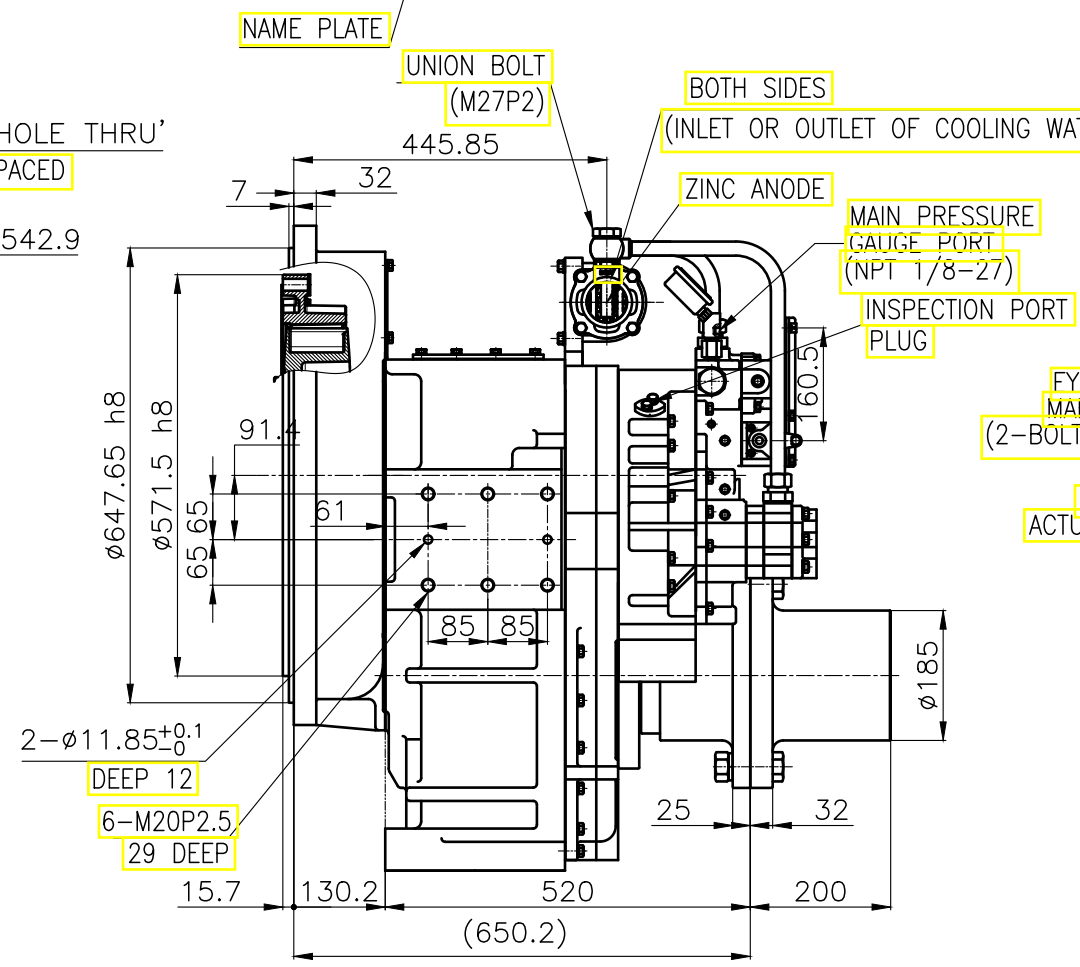
INPUT COUPLING DIMENSION



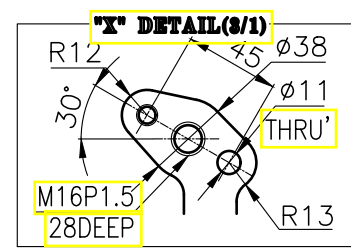
**REMARK**  
 1. HOUSING : SAE# 0  
 2. DRIVING RING : SAE 18"  
 3. COUPLING TYPE  
 - CENTA Flex Coupling : 77318802



[ BY PASS SYSTEM ]

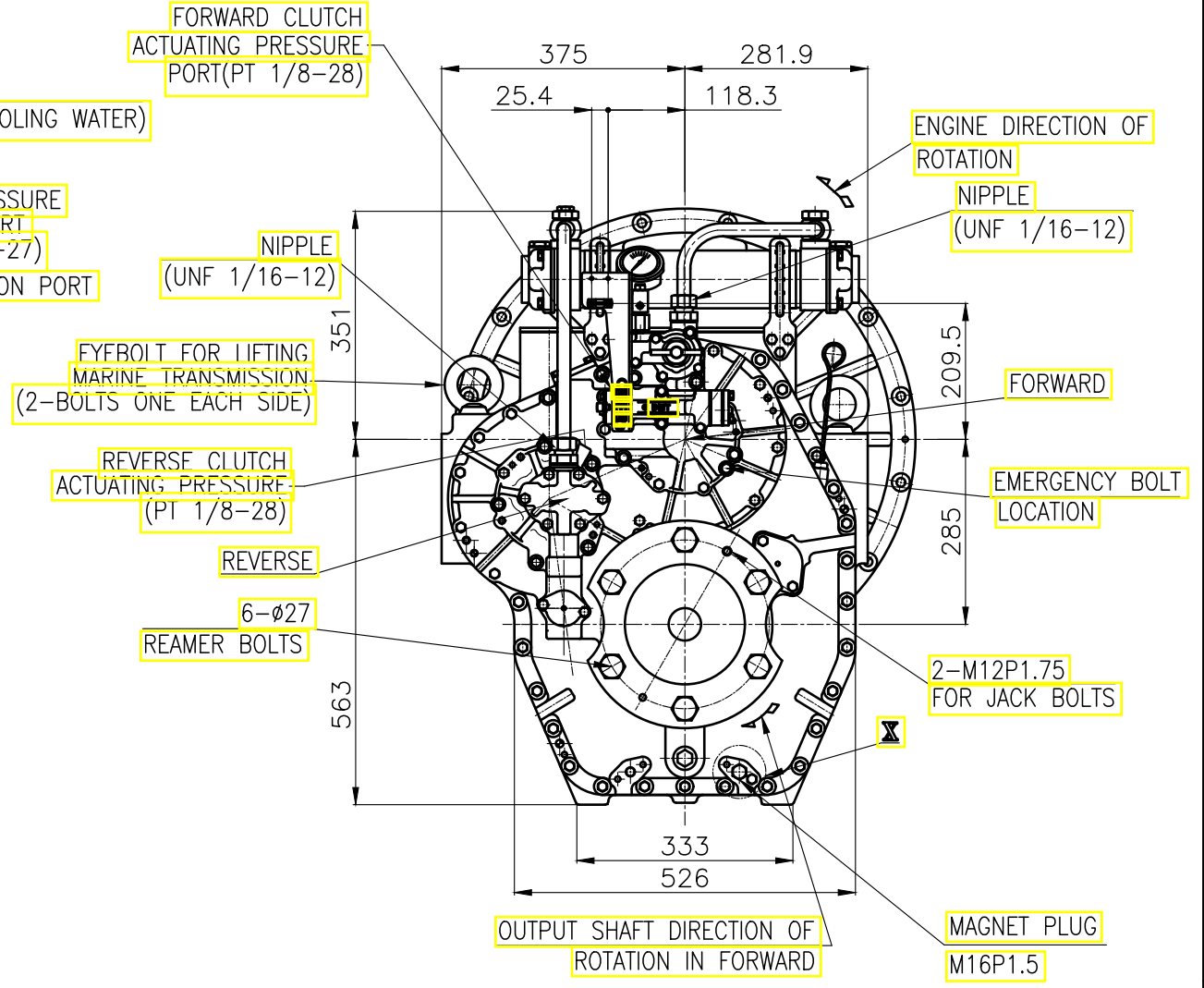


BRACKET DIMENSION



'X' DETAIL(8/1)

DMT430H MARINE TRANSMISSION SPECIFICATION	
GEAR RATIO	2.06, 2.44, 2.93, 3.23, 3.4
TOTAL WEIGHT	APPROX. 694Kg(DRY)
OIL CAPACITY	APPROX. 11L
OIL VISCOSITY	SAE # 30
OIL PRESSURE	1.96 ~ 2.54 MPa CLUTCH OIL
DIRECTION OF ROTATION IN FORWARD	INPUT C.C.W VIEWED FROM THE STERN OUTPUT C.W VIEWED FROM THE STERN
OIL CHANGE INTERVAL	THE FIRST 100HOURS OF INITIAL OPERATION AND EVERY 1000HOURS THEREAFTER
SHIFTING LIMIT	UNDER 50% OF THE RATED ENGINE SPEED
OIL COOLER	WATER FLOW 90 ~ 12L/m TEMPERATURE OF COOLING WATER MAX 32°C
OPERATING TORQUE OF SHIFTING LEVER	UNDER 2.94Nm

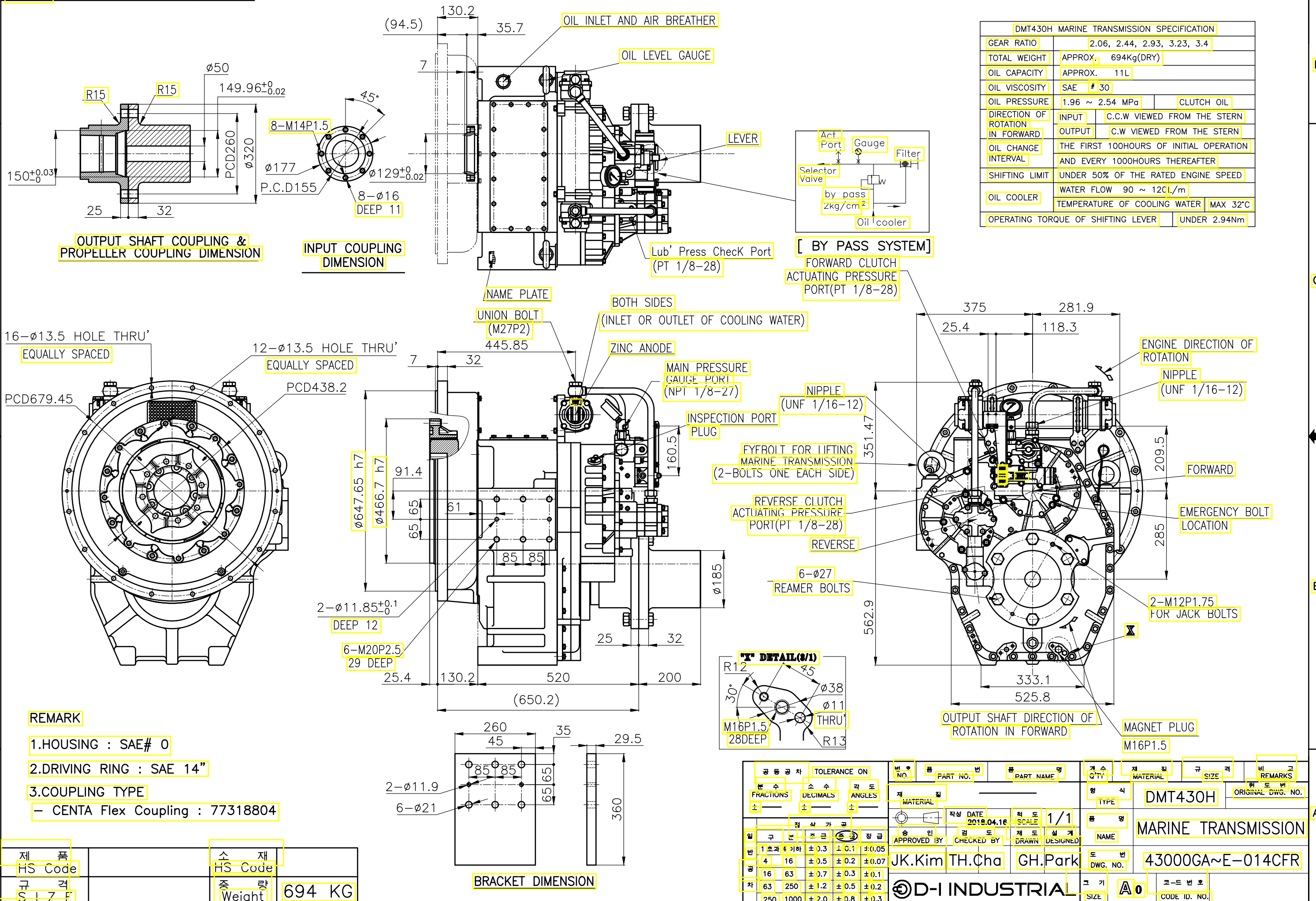


TOLERANCE ON		PART NO.		PART NAME		QTY		MATERIAL		SIZE		REMARKS	
FRACTIONS	DECIMALS	각도	소수	분수	소수	TYPE	TYPE	TYPE	TYPE	TYPE	TYPE	TYPE	TYPE
±0.05	±0.05	±0.1	±0.1	±0.05	±0.05	1/1	1/1	1/1	1/1	1/1	1/1	1/1	1/1
±0.07	±0.07	±0.1	±0.1	±0.07	±0.07	1/1	1/1	1/1	1/1	1/1	1/1	1/1	1/1
±0.1	±0.1	±0.1	±0.1	±0.1	±0.1	1/1	1/1	1/1	1/1	1/1	1/1	1/1	1/1
±0.2	±0.2	±0.2	±0.2	±0.2	±0.2	1/1	1/1	1/1	1/1	1/1	1/1	1/1	1/1
±0.3	±0.3	±0.3	±0.3	±0.3	±0.3	1/1	1/1	1/1	1/1	1/1	1/1	1/1	1/1
±0.5	±0.5	±0.5	±0.5	±0.5	±0.5	1/1	1/1	1/1	1/1	1/1	1/1	1/1	1/1
±0.7	±0.7	±0.7	±0.7	±0.7	±0.7	1/1	1/1	1/1	1/1	1/1	1/1	1/1	1/1
±1.2	±1.2	±1.2	±1.2	±1.2	±1.2	1/1	1/1	1/1	1/1	1/1	1/1	1/1	1/1
±2.0	±2.0	±2.0	±2.0	±2.0	±2.0	1/1	1/1	1/1	1/1	1/1	1/1	1/1	1/1

D-I INDUSTRIAL

DMT430H  
 MARINE TRANSMISSION  
 43000GA~E-018CFR  
 CODE ID. NO.

DMT430H MARINE TRANSMISSION SPECIFICATION	
GEAR RATIO	2.06, 2.44, 2.93, 3.23, 3.4
TOTAL WEIGHT	APPROX. 694Kg(DRY)
OIL CAPACITY	APPROX. 11L
OIL VISCOSITY	SAE # 30
OIL PRESSURE	1.96 ~ 2.54 MPa CLUTCH OIL
DIRECTION OF ROTATION IN FORWARD	INPUT C.C.W VIEWED FROM THE STERN OUTPUT C.W VIEWED FROM THE STERN
OIL CHANGE INTERVAL	THE FIRST 100HOURS OF INITIAL OPERATION AND EVERY 1000HOURS THEREAFTER
SHIFTING LIMIT	UNDER 50% OF THE RATED ENGINE SPEED
OIL COOLER	WATER FLOW 90 ~ 12L/m TEMPERATURE OF COOLING WATER MAX 32°C
OPERATING TORQUE OF SHIFTING LEVER	UNDER 2.94Nm



**REMARK**  
 1.HOUSING : SAE# 0  
 2.DRIVING RING : SAE 14"  
 3.COUPLING TYPE  
 - CENTA Flex Coupling : 77318804

제품명 HS Code	소재 HS Code
규격 SIZE	중량 Weight
	694 KG

공통공차	TOLERANCE ON	번호	PART NO.	PART NAME	개수	재료	규격	비고
분수	소수	각도			형식			
FRACTIONS	DECIMALS	ANGLES			TYPE			
±	±	±			DMT430H	ORIGINAL DWG. NO.		
±0.3	±0.1	±0.05			MARINE TRANSMISSION			
±0.5	±0.2	±0.07			43000GA~E-014CFR			
±0.7	±0.3	±0.1						
±1.2	±0.5	±0.2						
±2.0	±0.8	±0.3						

©D-I INDUSTRIAL