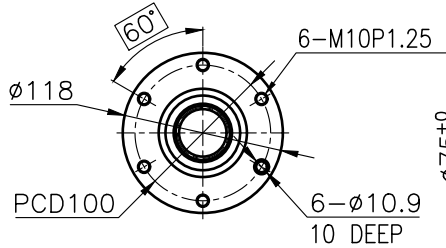
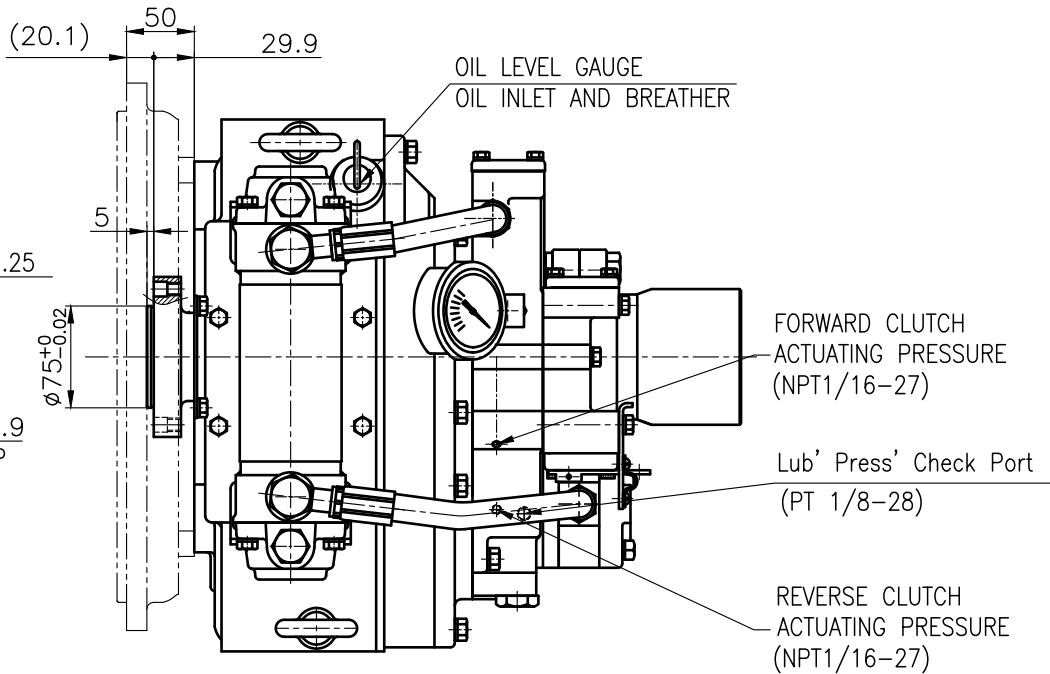


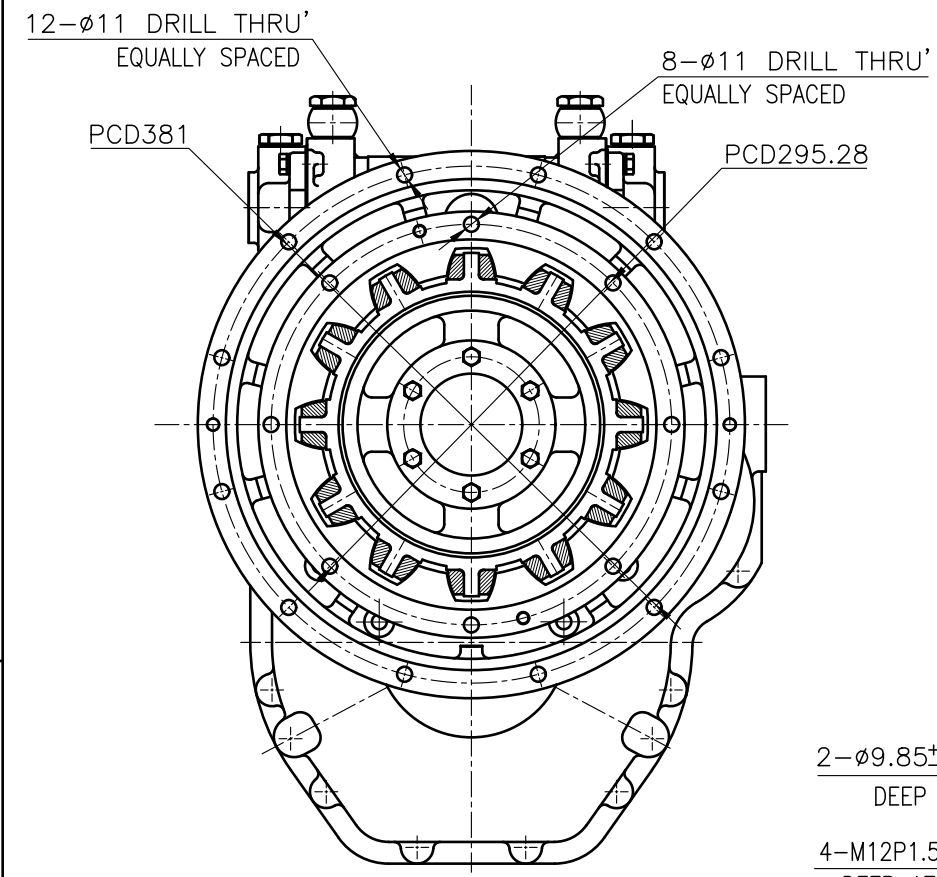
OUTPUT SHAFT COUPLING & PROPELLER COUPLING DIMENSION



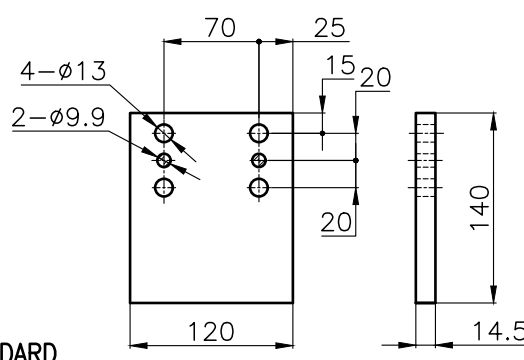
INPUT COUPLING DIMENSION



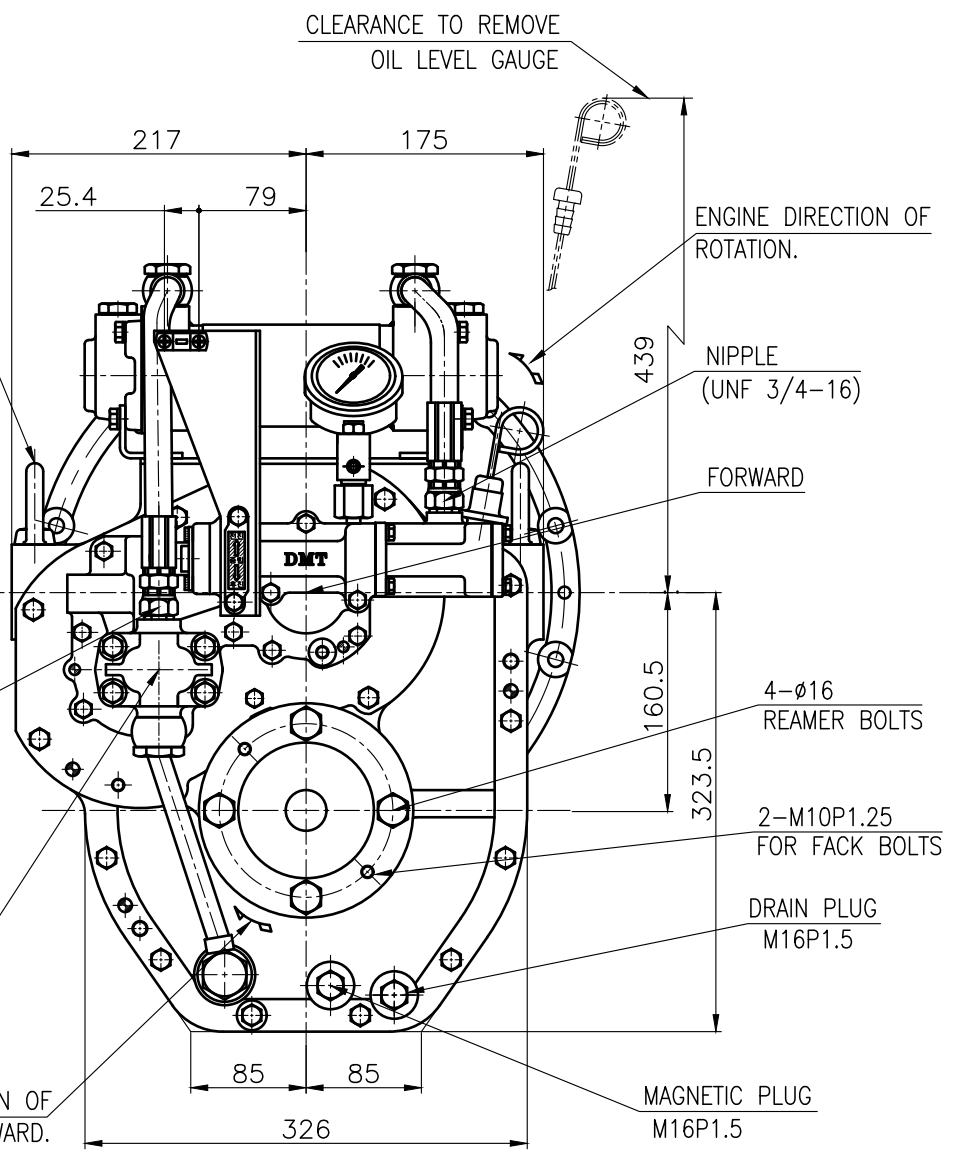
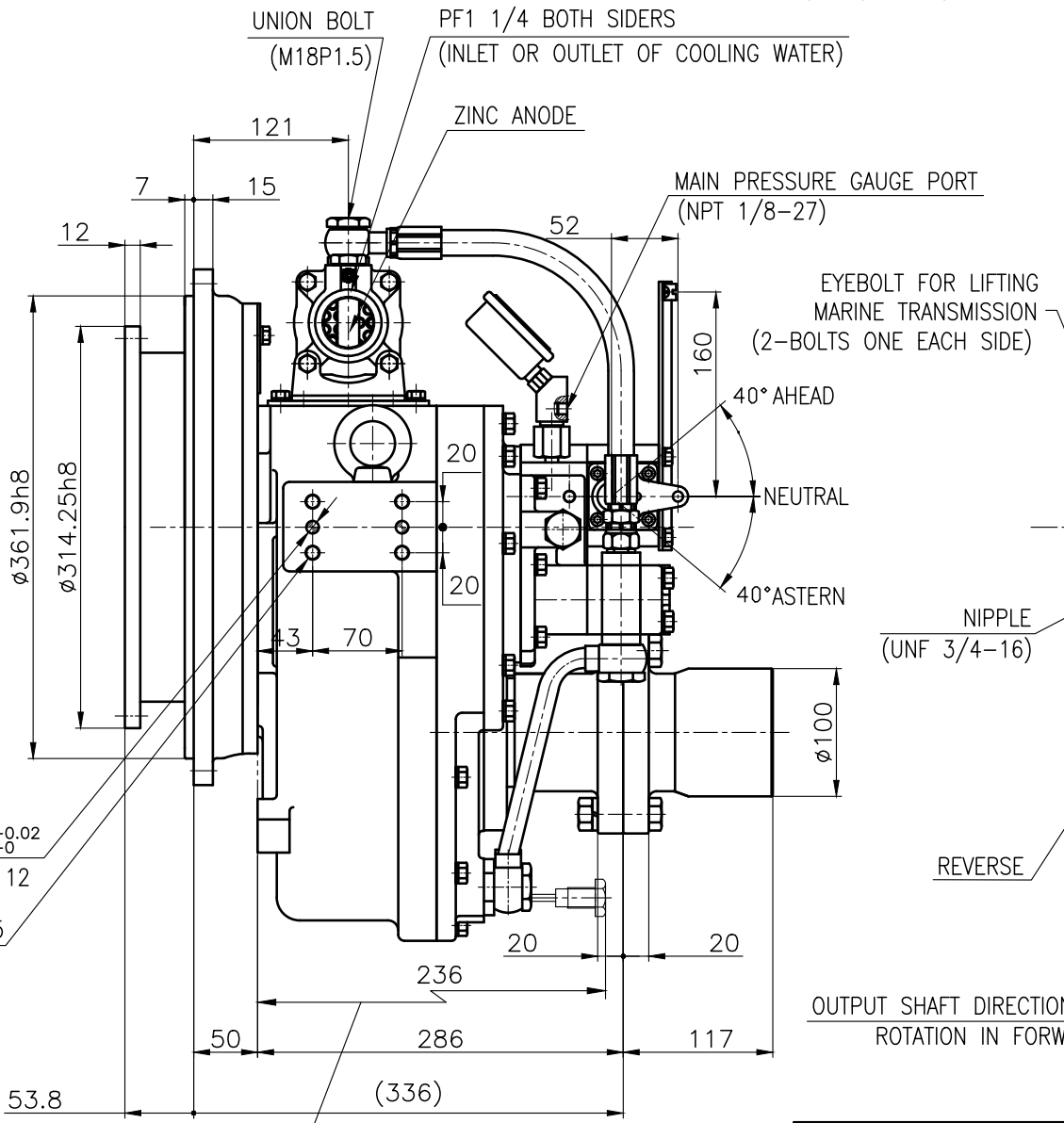
DMT 50A MARINE GEAR SPECIFICATION	
GEAR RATIO	1.61, 2.06, 2.45, 2.82, 3.12, 3.46
TOTAL WEIGHT	APPROX. 143 kg(DRY)
OIL CAPACITY	APPROX. 3L
OIL VISCOSITY	SAE # 30
OIL PRESSURE	1.96 ~ 2.54 MPa CLUTCH OIL
DIRECTION OF ROTATION IN FORWARD	INPUT C.C.W VIEWED FROM THE STERN OUTPUT C.W VIEWED FROM THE STERN
OIL CHANGE INTERVAL	THE FIRST 100HOURS OF INITIAL OPERATION AND EVERY 1000HOURS THEREAFTER
SHIFTING LIMIT	UNDER 50% OF THE RATED ENGINE SPEED
OIL COOLER	TEMPERATURE OF COOLING WATER MAX 32°C WATER FLOW 40 ~ 60L/min
OPERATING TORQUE OF SHIFTING LEVER	UNDER 2.94Nm



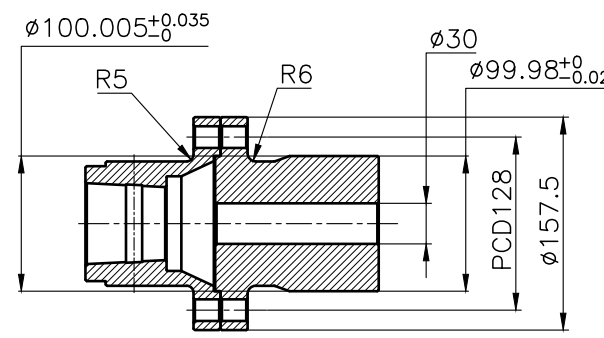
- REMARK
- 1.HOUSING: SAE#4
 - 2.DRIVING RING: SAE 10"
 - 3.COUPLING TYPE : RUBBER
 - 4.APPLICATION ENGINE : STANDARD



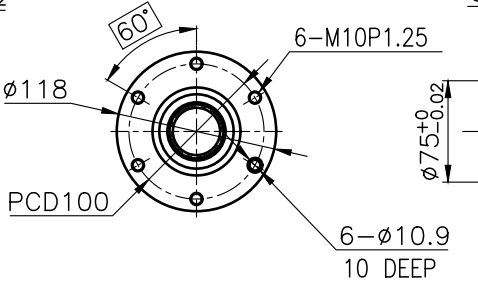
BRACKET DIMENSION



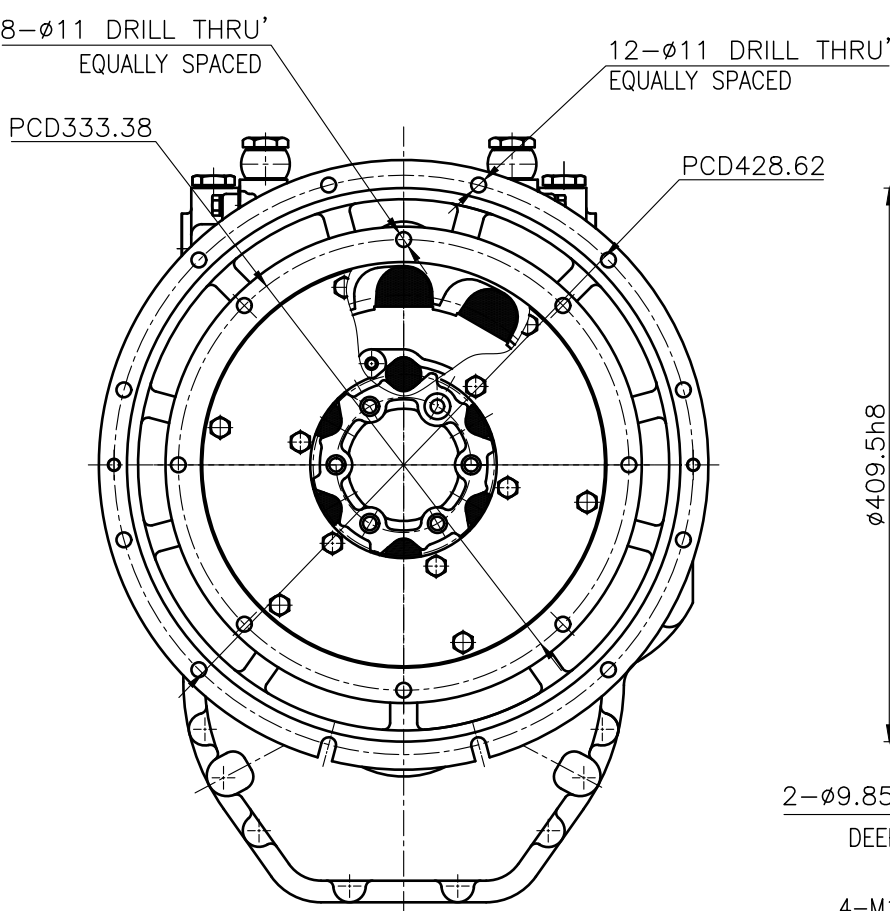
公差 TOLERANCE ON		PART NO.		PART NAME		QTY		MATERIAL		SIZE		REMARKS			
분수	소수	각도	제		형		명		기		비		고		
±	±	±	MATERIAL		TYPE		NAME		SIZE		REMARKS		ORIGINAL DWG. NO.		
±	±	±	2018.06.20		N/S		DMT50A		MARINE TRANSMISSION		050000A~F-410RC		000		
±	±	±	JK.Kim TH.Cha MA.Kim		APPROVED BY CHECKED BY		DRAWN DESIGNED		DWG. NO.		000		000		
D-I INDUSTRIAL												A 3		CODE ID. NO.	



OUTPUT SHAFT COUPLING & PROPELLER COUPLING DIMENSION

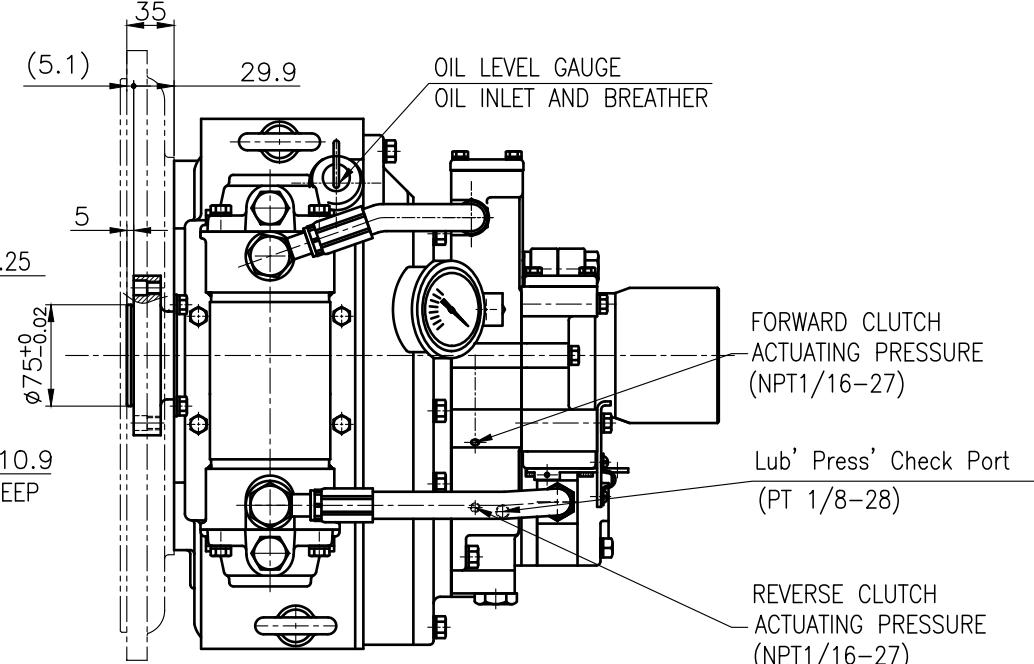


INPUT COUPLING DIMENSION

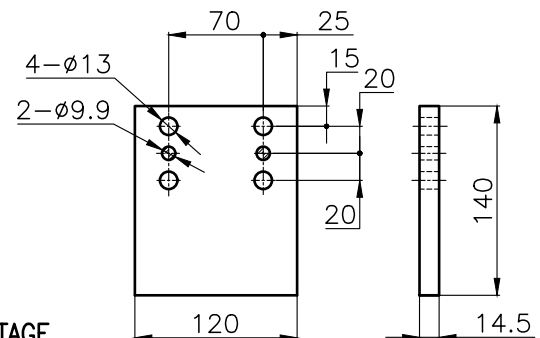
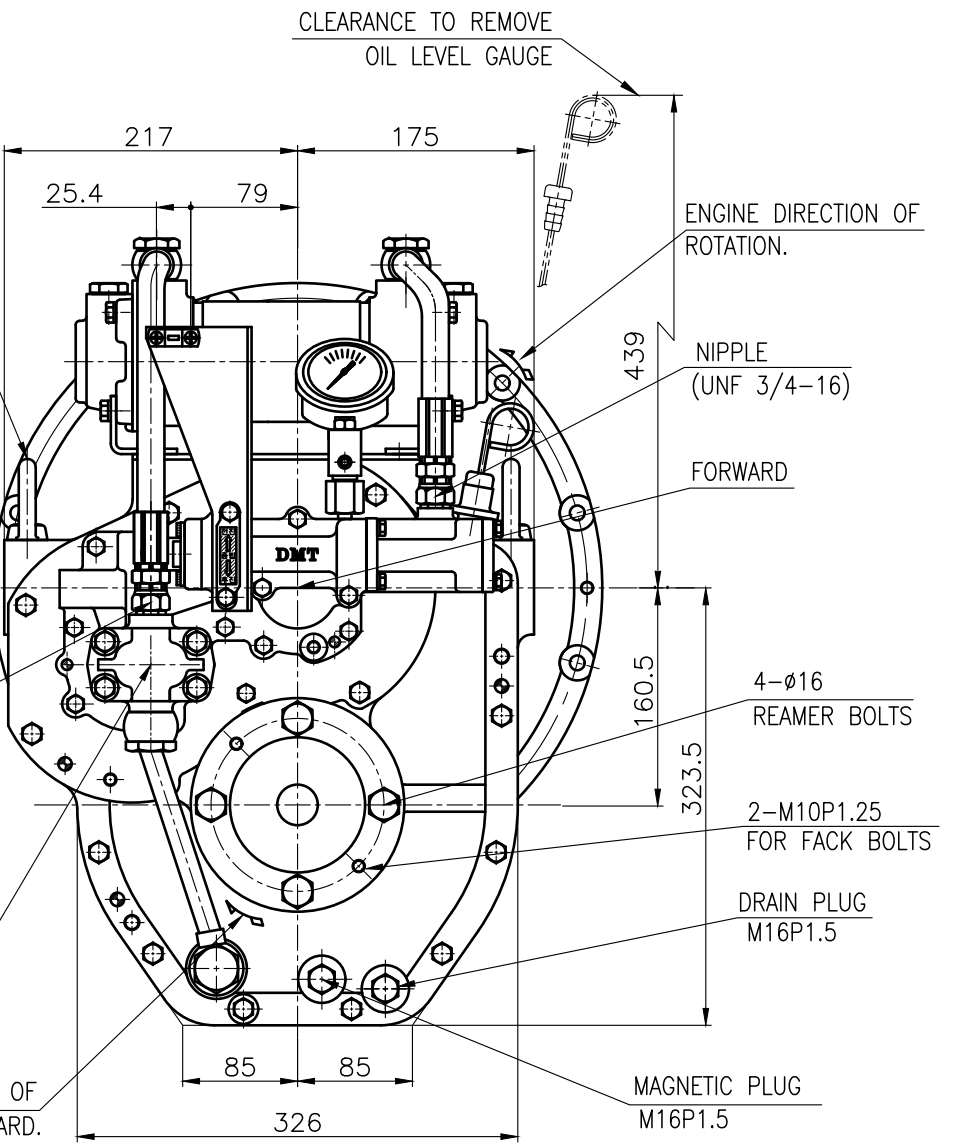
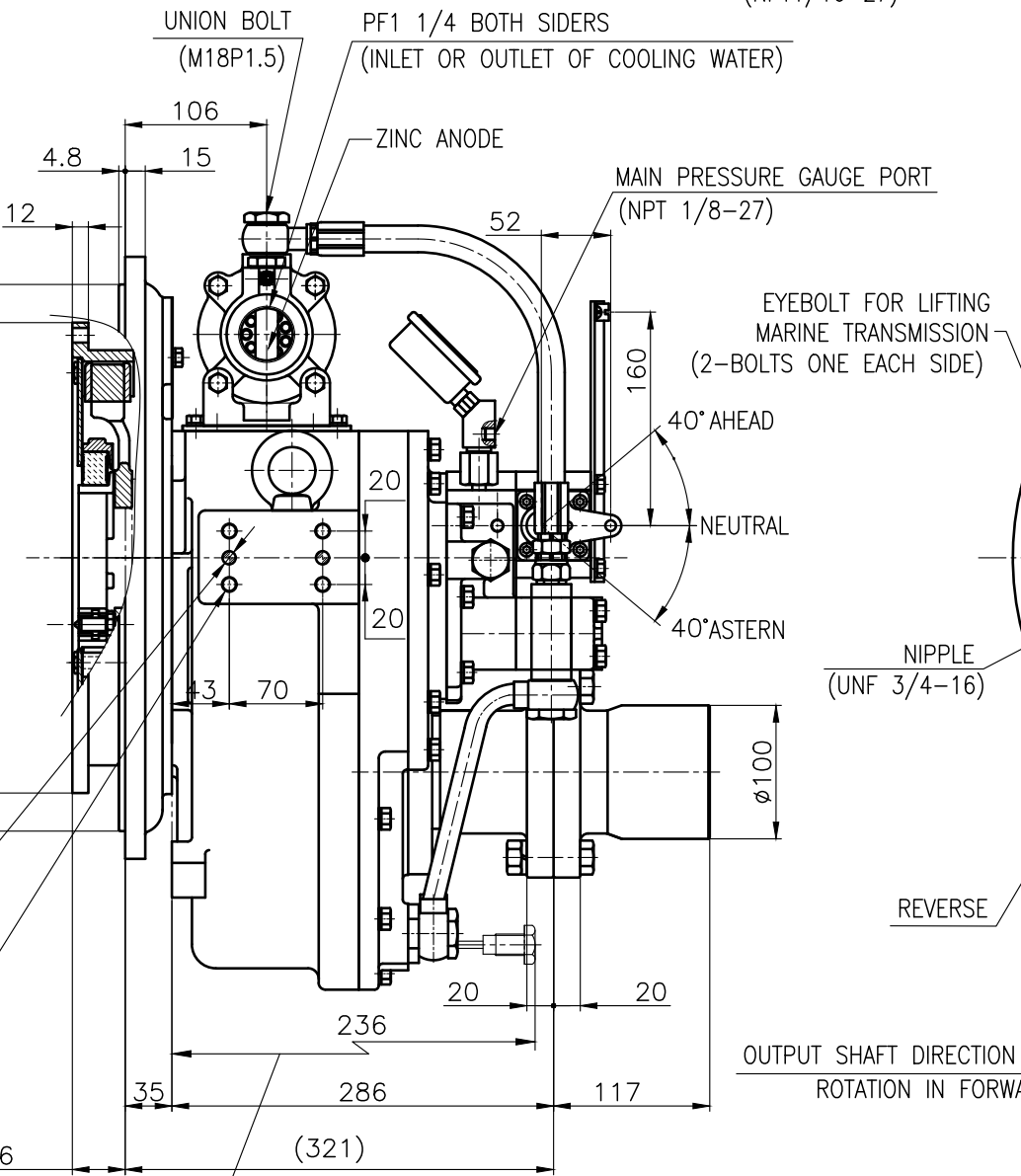


BRACKET DIMENSION

- REMARK (HOT)
- 1.HOUSING: SAE#3
 - 2.DRIVING RING: SAE 11.5"
 - 3.COUPLING TYPE : DUAL STAGE
 - 4.APPLICATION ENGINE : STANDARD



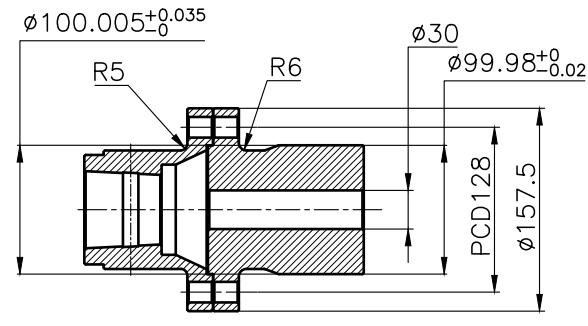
DMT 50A MARINE GEAR SPECIFICATION	
GEAR RATIO	1.61, 2.06, 2.45, 2.82, 3.12, 3.46
TOTAL WEIGHT	APPROX. 143 kg(DRY)
OIL CAPACITY	APPROX. 3L
OIL VISCOSITY	SAE # 30
OIL PRESSURE	1.96 ~ 2.54 MPa CLUTCH OIL
DIRECTION OF ROTATION	INPUT C.C.W VIEWED FROM THE STERN
IN FORWARD	OUTPUT C.W VIEWED FROM THE STERN
OIL CHANGE INTERVAL	THE FIRST 100HOURS OF INITIAL OPERATION AND EVERY 1000HOURS THEREAFTER
SHIFTING LIMIT	UNDER 50% OF THE RATED ENGINE SPEED
OIL COOLER	WATER FLOW 40 ~ 60L/min
	TEMPERATURE OF COOLING WATER MAX 32°C
OPERATING TORQUE OF SHIFTING LEVER	UNDER 2.94Nm



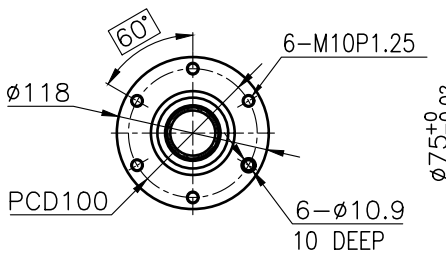
공용공차 TOLERANCE ON				번호 NO.		품 PART NO.		품 PART NAME		계 수 Q'TY		재 MATERIAL		규 SIZE		비 REMARKS	
분수	소수	각도	공차	분수	소수	분수	소수	분수	소수	분수	소수	분수	소수	분수	소수	분수	소수
±	±	±	±	±	±	±	±	±	±	±	±	±	±	±	±	±	±
1초과 4이하				±0.3		±0.1		±0.05		1초과 4이하		±0.3		±0.1		±0.05	
4				±0.5		±0.2		±0.07		4		±0.5		±0.2		±0.07	
16				±0.7		±0.3		±0.1		16		±0.7		±0.3		±0.1	
63				±1.2		±0.5		±0.2		63		±1.2		±0.5		±0.2	
250				±2.0		±0.8		±0.3		250		±2.0		±0.8		±0.3	

DATE	2018.06.20	SCALE	N/S
APPROVED BY	JK.Kim	CHECKED BY	TH.Cha
DRAWN	MA.Kim	DESIGNED	
D-I INDUSTRIAL			

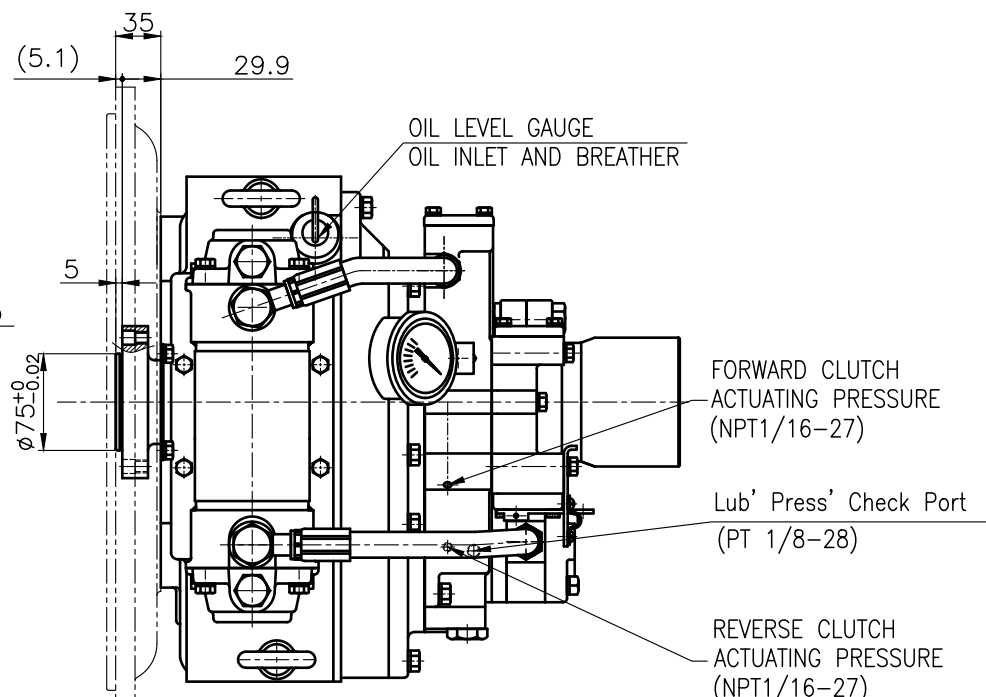
TYPE	DMT50A	ORIGINAL DWG. NO.	
NAME	MARINE TRANSMISSION	DWG. NO.	050000A~F-3115DC
SIZE	A 3	CODE ID. NO.	



OUTPUT SHAFT COUPLING & PROPELLER COUPLING DIMENSION

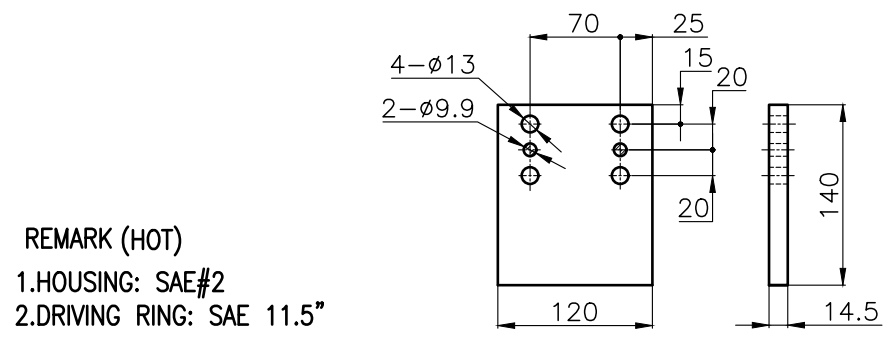
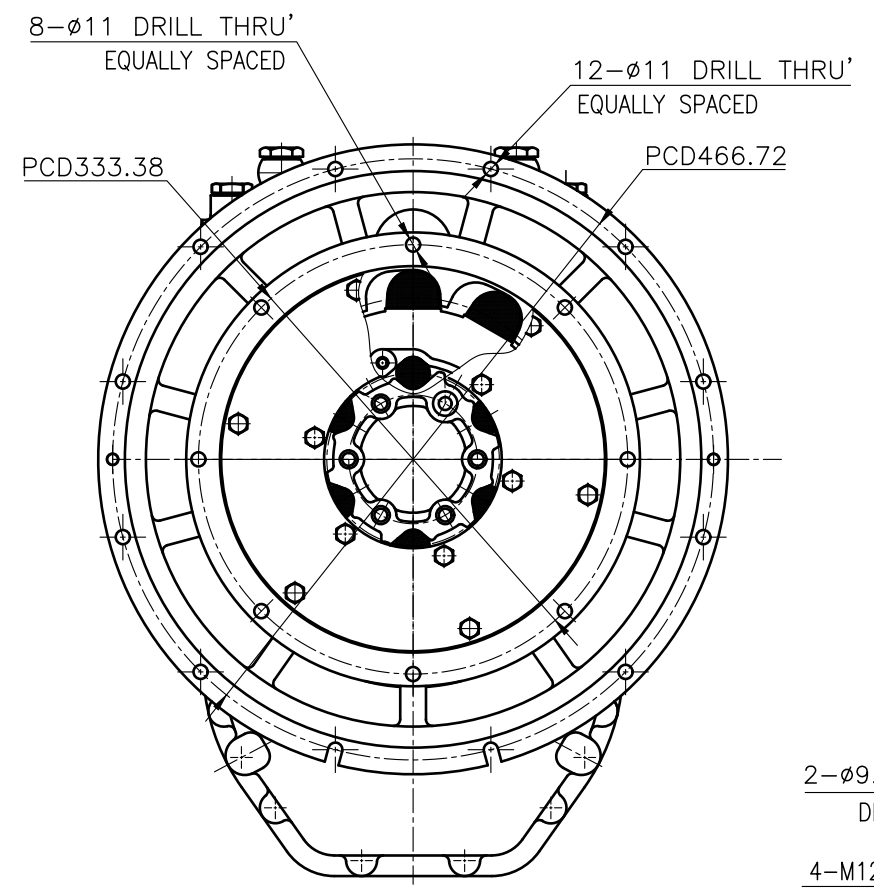


INPUT COUPLING DIMENSION

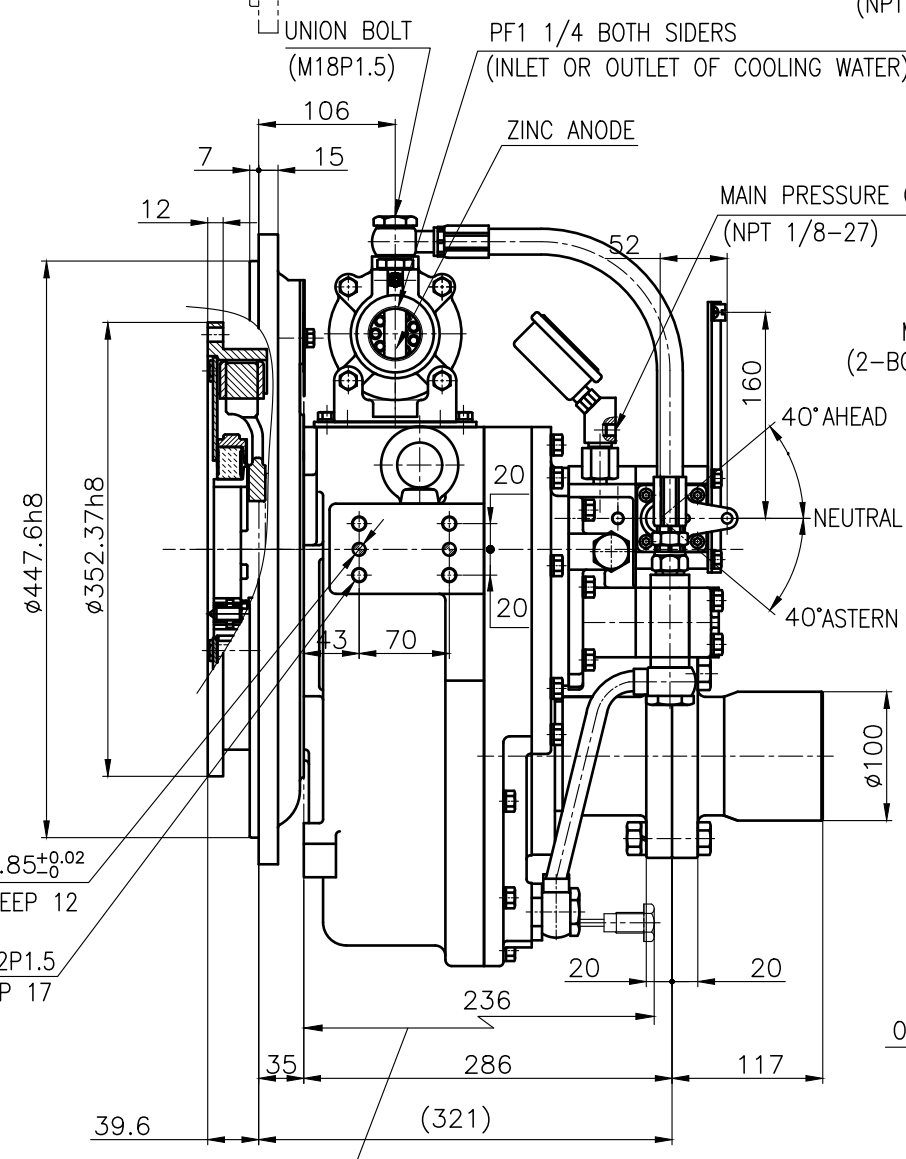


OIL LEVEL GAUGE
OIL INLET AND BREATHER
FORWARD CLUTCH ACTUATING PRESSURE (NPT1/16-27)
Lub' Press' Check Port (PT 1/8-28)
REVERSE CLUTCH ACTUATING PRESSURE (NPT1/16-27)
UNION BOLT (M18P1.5)
PF1 1/4 BOTH SIDERS (INLET OR OUTLET OF COOLING WATER)
ZINC ANODE
MAIN PRESSURE GAUGE PORT (NPT 1/8-27)
EYEBOLT FOR LIFTING MARINE TRANSMISSION (2-BOLTS ONE EACH SIDE)

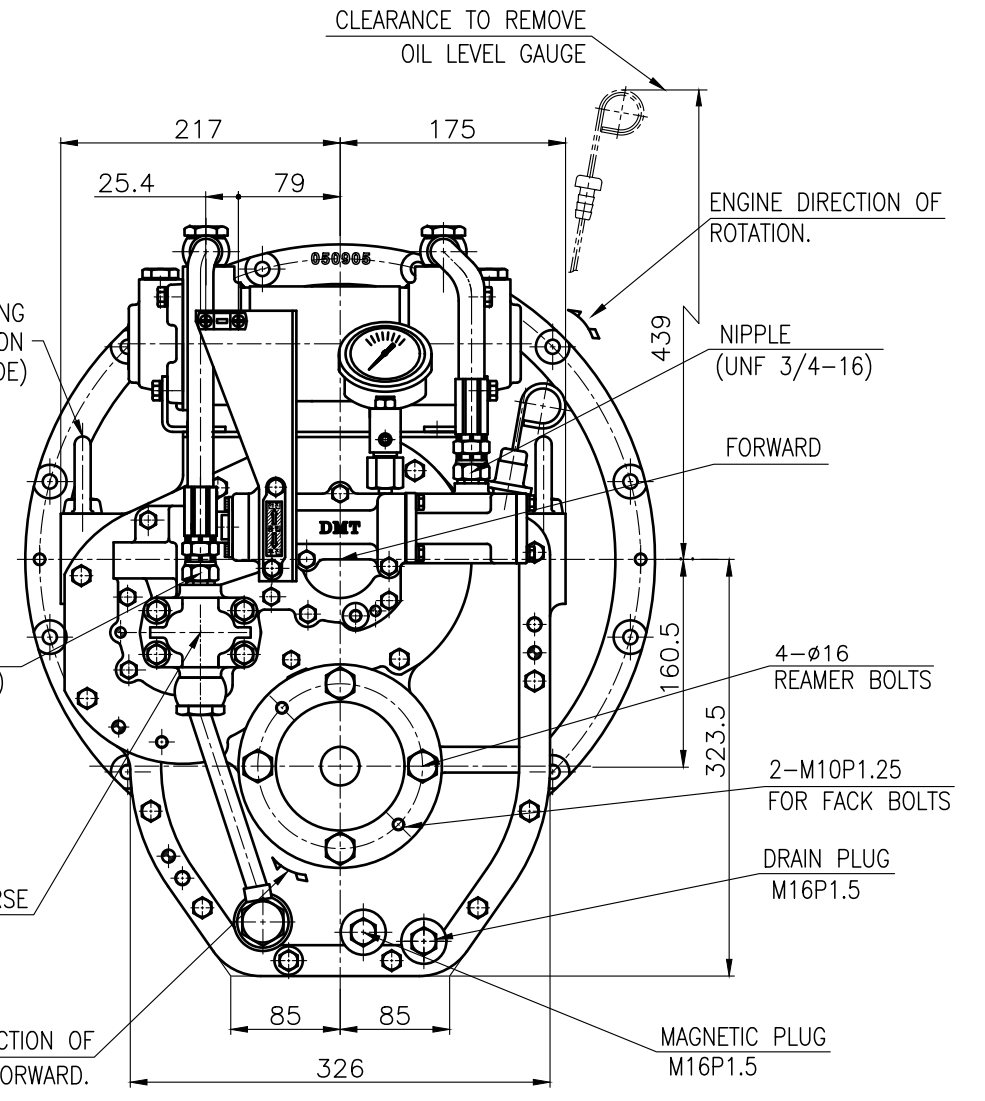
GEAR RATIO	1.61, 2.06, 2.45, 2.82, 3.12, 3.46		
TOTAL WEIGHT	APPROX. 143 kg(DRY)		
OIL CAPACITY	APPROX. 3L		
OIL VISCOSITY	SAE # 30		
OIL PRESSURE	1.96 ~ 2.54 MPa	CLUTCH OIL	
DIRECTION OF ROTATION IN FORWARD	INPUT	C.C.W VIEWED FROM THE STERN	
	OUTPUT	C.W VIEWED FROM THE STERN	
OIL CHANGE INTERVAL	THE FIRST 100HOURS OF INITIAL OPERATION AND EVERY 1000HOURS THEREAFTER		
SHIFTING LIMIT	UNDER 50% OF THE RATED ENGINE SPEED		
OIL COOLER	WATER FLOW 40 ~ 60L/min		TEMPERATURE OF COOLING WATER MAX 32°C
	OPERATING TORQUE OF SHIFTING LEVER		



BRACKET DIMENSION



106
7
15
12
12
106
52
160
40° AHEAD
NEUTRAL
40° ASTERN
20
20
20
20
236
20
20
117
39.6
(321)

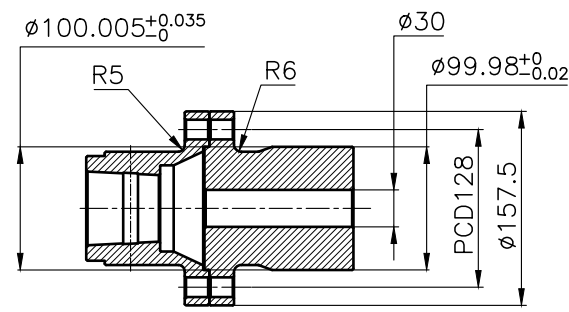


CLEARANCE TO REMOVE OIL LEVEL GAUGE
217
175
25.4
79
ENGINE DIRECTION OF ROTATION.
439
NIPPLE (UNF 3/4-16)
FORWARD
160.5
323.5
4-ø16 REAMER BOLTS
2-M10P1.25 FOR FACK BOLTS
DRAIN PLUG M16P1.5
MAGNETIC PLUG M16P1.5
REVERSE
85
85
326
OUTPUT SHAFT DIRECTION OF ROTATION IN FORWARD.

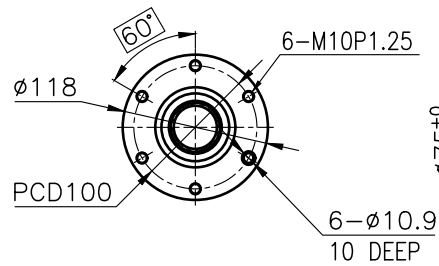
REMARK (HOT)
1.HOUSING: SAE#2
2.DRIVING RING: SAE 11.5"
3.COUPLING TYPE : DUAL STAGE
4.APPLICATION ENGINE : STANDARD

公差公差 TOLERANCE ON 분수 소수 각도 ± ± ± ± ± ±		번호 NO. PART NO. PART NAME	개수 Q'TY	재료 MATERIAL	규격 SIZE	비고 REMARKS
검사 가공		작성 DATE 2018.06.20	척도 SCALE N/S	형식 TYPE DMT50A		원도번 ORIGINAL DWG. NO.
구분 조급 중급 정급 1 초과 4 이하 ±0.3 ±0.1 ±0.05 4 16 ±0.5 ±0.2 ±0.07 16 63 ±0.7 ±0.3 ±0.1 63 250 ±1.2 ±0.5 ±0.2 250 1000 ±2.0 ±0.8 ±0.3		승인 APPROVED BY JK.Kim	검도 CHECKED BY TH.Cha	제도 DRAWN MA.Kim	설계 DESIGNED	품명 NAME MARINE TRANSMISSION
				도번 DWG. NO. 050000A~F-2115DCH	개정 (REV.) 000	
D-I INDUSTRIAL				크기 SIZE A 3	코드번호 CODE ID. NO.	

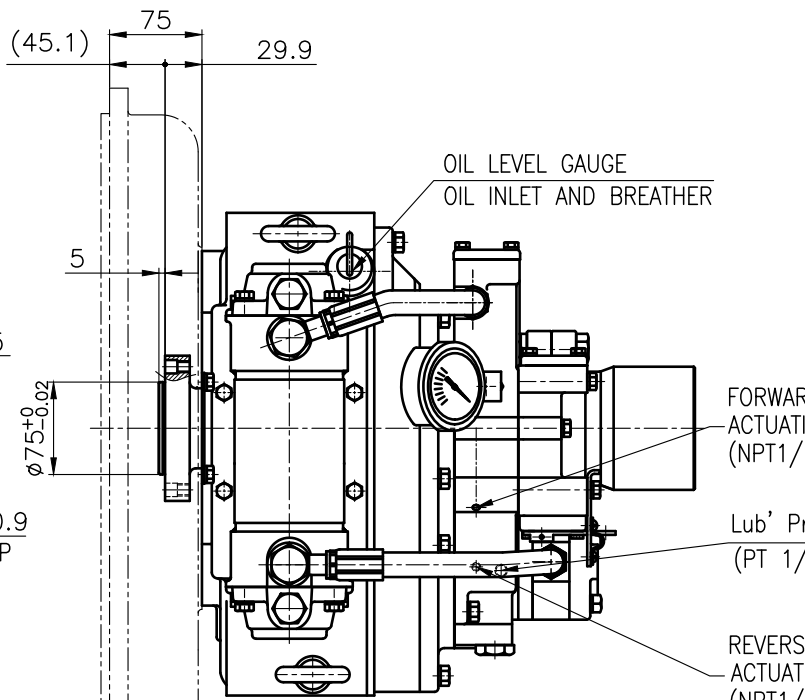
000
(기호) 0000000000
HDD111-J~Y00000000
ON 3MG



OUTPUT SHAFT COUPLING & PROPELLER COUPLING DIMENSION



INPUT COUPLING DIMENSION



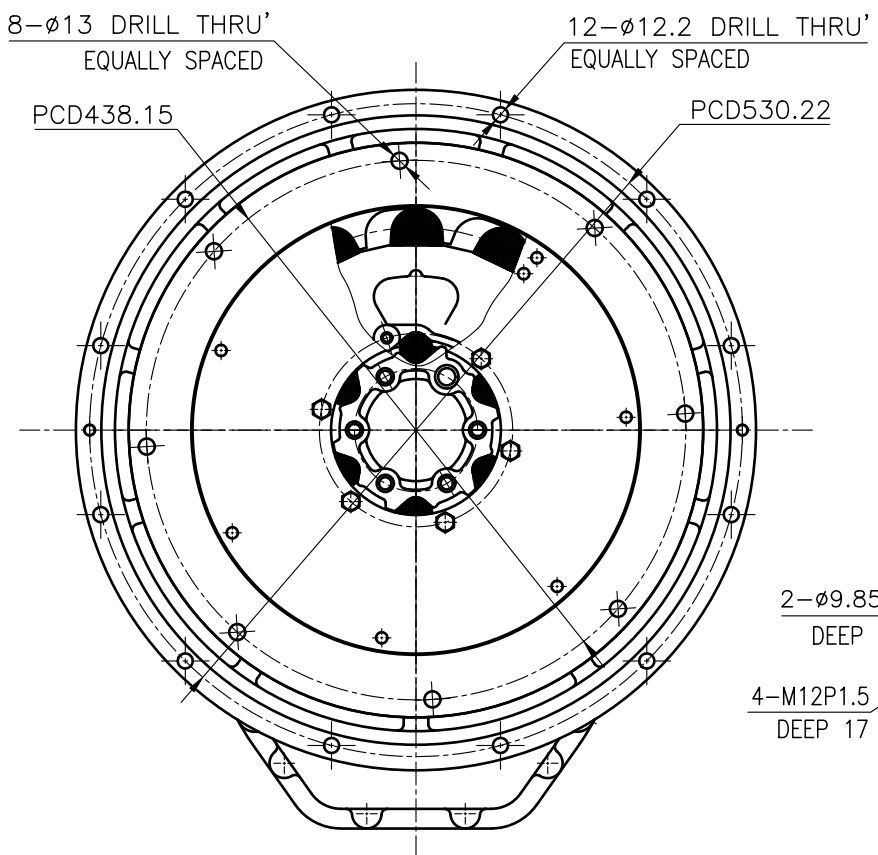
DMT 50A MARINE GEAR SPECIFICATION			
GEAR RATIO	1.61, 2.06, 2.45, 2.82, 3.12, 3.46		
TOTAL WEIGHT	APPROX. 143 kg(DRY)		
OIL CAPACITY	APPROX. 3L		
OIL VISCOSITY	SAE # 30		
OIL PRESSURE	1.96 ~ 2.54 MPa	CLUTCH OIL	
DIRECTION OF ROTATION	INPUT	C.C.W VIEWED FROM THE STERN	
	OUTPUT	C.W VIEWED FROM THE STERN	
OIL CHANGE INTERVAL	THE FIRST 100HOURS OF INITIAL OPERATION AND EVERY 1000HOURS THEREAFTER		
SHIFTING LIMIT	UNDER 50% OF THE RATED ENGINE SPEED		
OIL COOLER	WATER FLOW	40 ~ 60L/min	
	TEMPERATURE OF COOLING WATER	MAX 32°C	
OPERATING TORQUE OF SHIFTING LEVER	UNDER 2.94Nm		

FORWARD CLUTCH ACTUATING PRESSURE (NPT1/16-27)

Lub' Press' Check Port (PT 1/8-28)

REVERSE CLUTCH ACTUATING PRESSURE (NPT1/16-27)

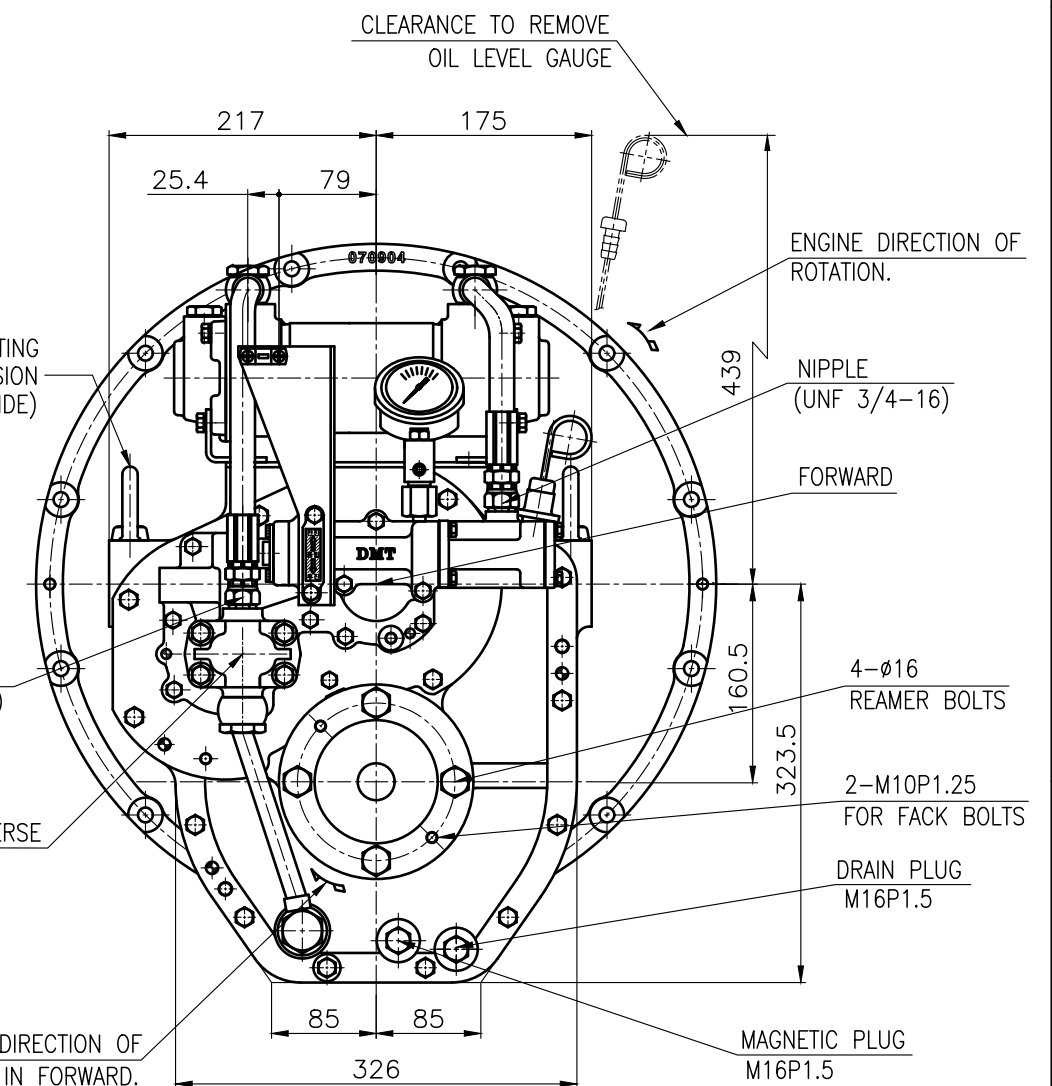
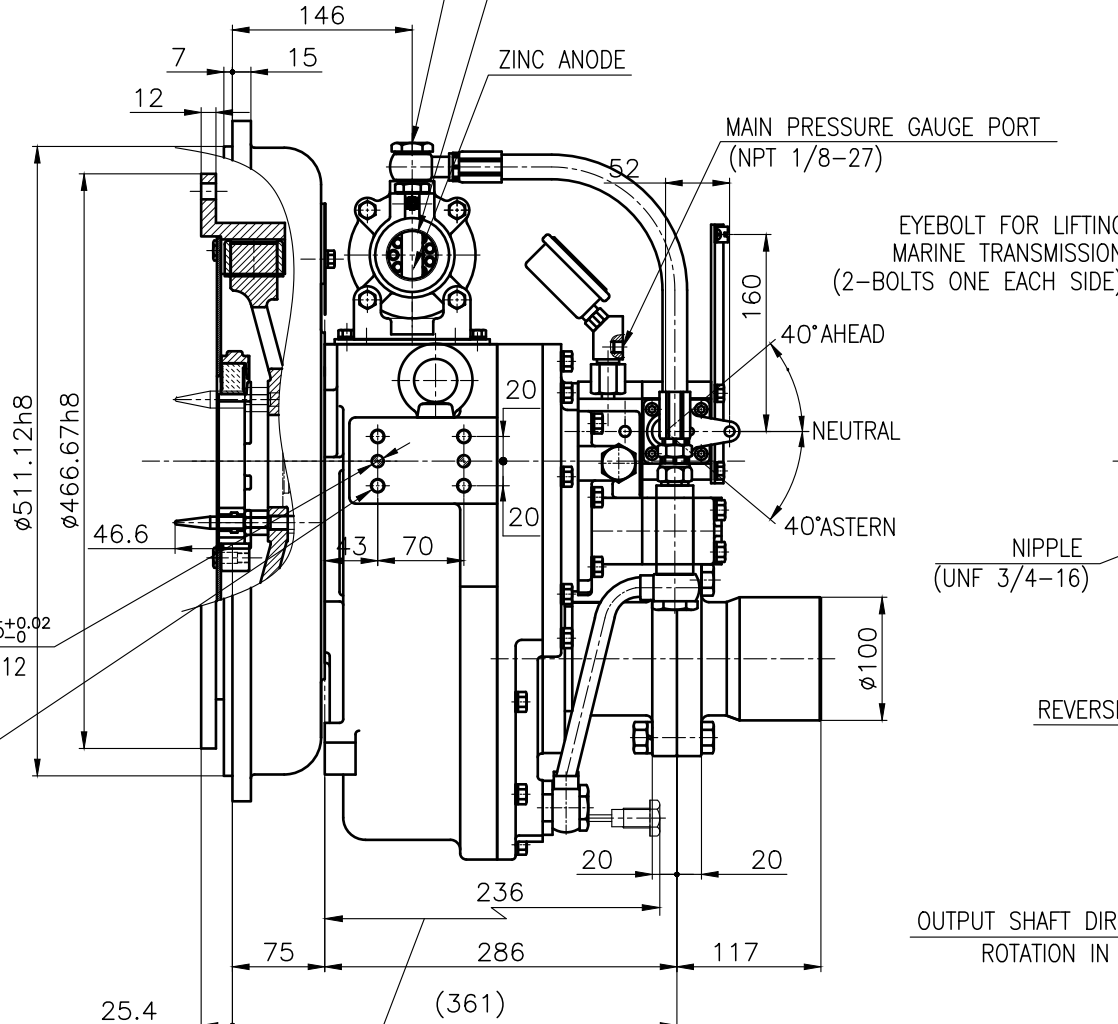
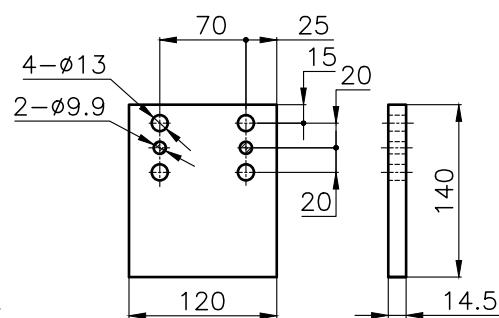
UNION BOLT (M18P1.5) PF1 1/4 BOTH SIDERS (INLET OR OUTLET OF COOLING WATER)



REMARK (HOT)

- 1. HOUSING: SAE#1
- 2. DRIVING RING: SAE 14"
- 3. COUPLING TYPE : DUAL STAGE
- 4. APPLICATION ENGINE : STANDARD

BRACKET DIMENSION



公差 TOLERANCE ON				번호 NO.	품 PART NO.	명 PART NAME	개수 QTY	제 MATERIAL	규 SIZE	비 REMARKS	
분수 FRACTIONS	소수 DECIMALS	각도 ANGLES		재 MATERIAL			형 TYPE	원도 ORIGINAL DWG. NO.			
±	±	±		DATE 2018.06.20			척도 SCALE N/S	TYPE DMT50A			
검사 가공				승인 APPROVED BY	검토 CHECKED BY	제도 DRAWN	설계 DESIGNED	품 명 MARINE TRANSMISSION	도 번호 050000A~F-114DCH 000		
1	10	16	30	JK.Kim	TH.Cha	MA.Kim			크 기 SIZE A 3	코드 번호 CODE ID. NO.	
1	16	30	4								
16	63	250	16								
63	250	1000	63								

D-I INDUSTRIAL