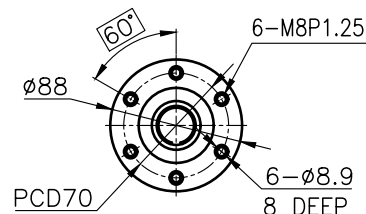
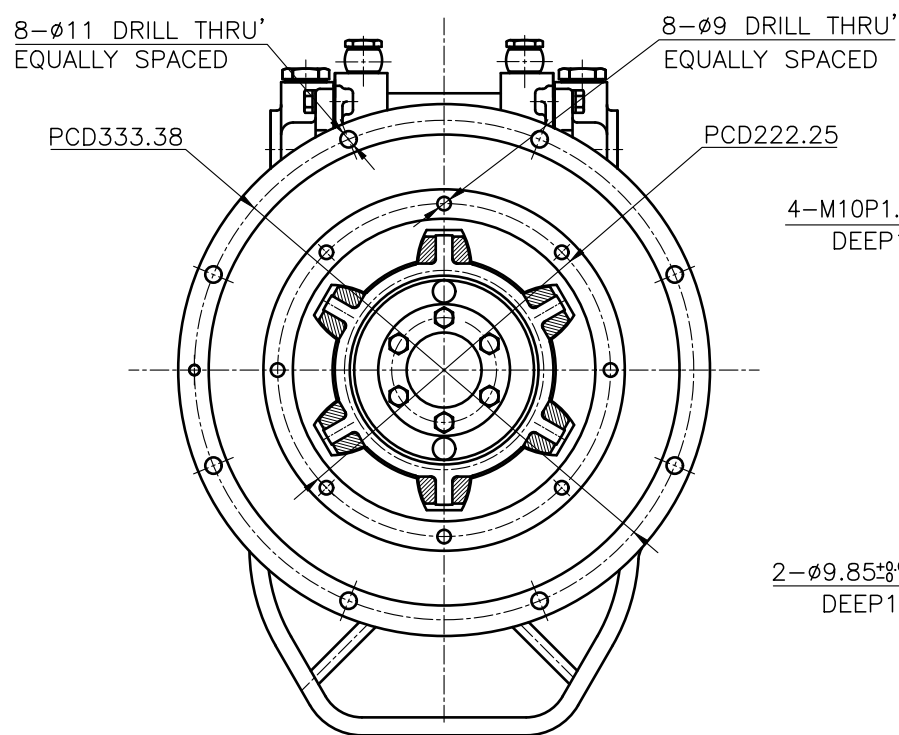


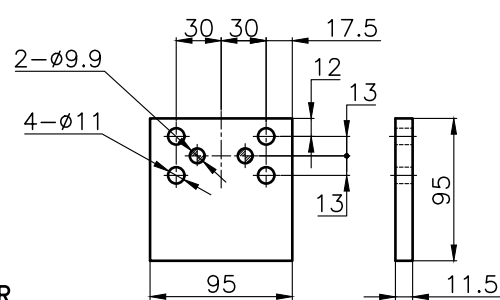
OUTPUT SHAFT COUPLING & PROPELLER COUPLING DIMENSION



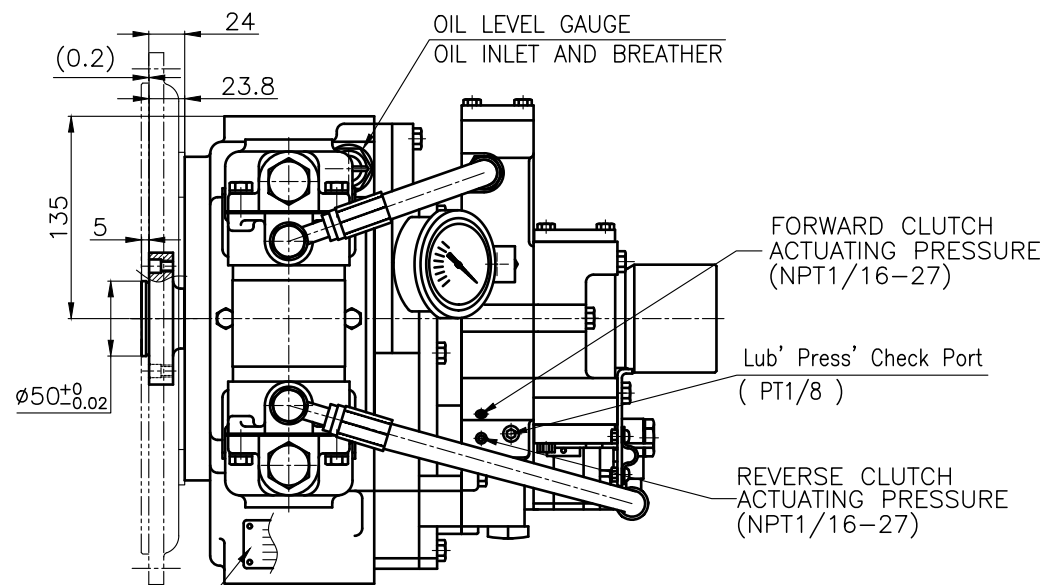
INPUT COUPLING DIMENSION



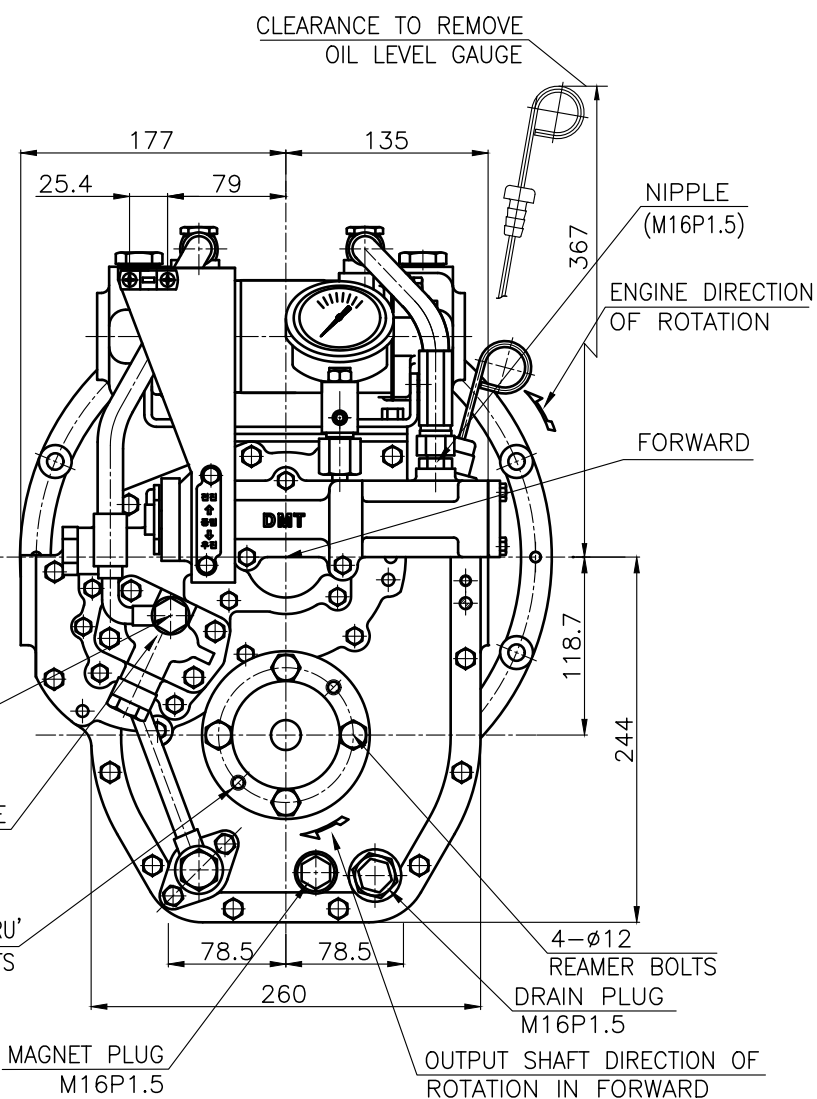
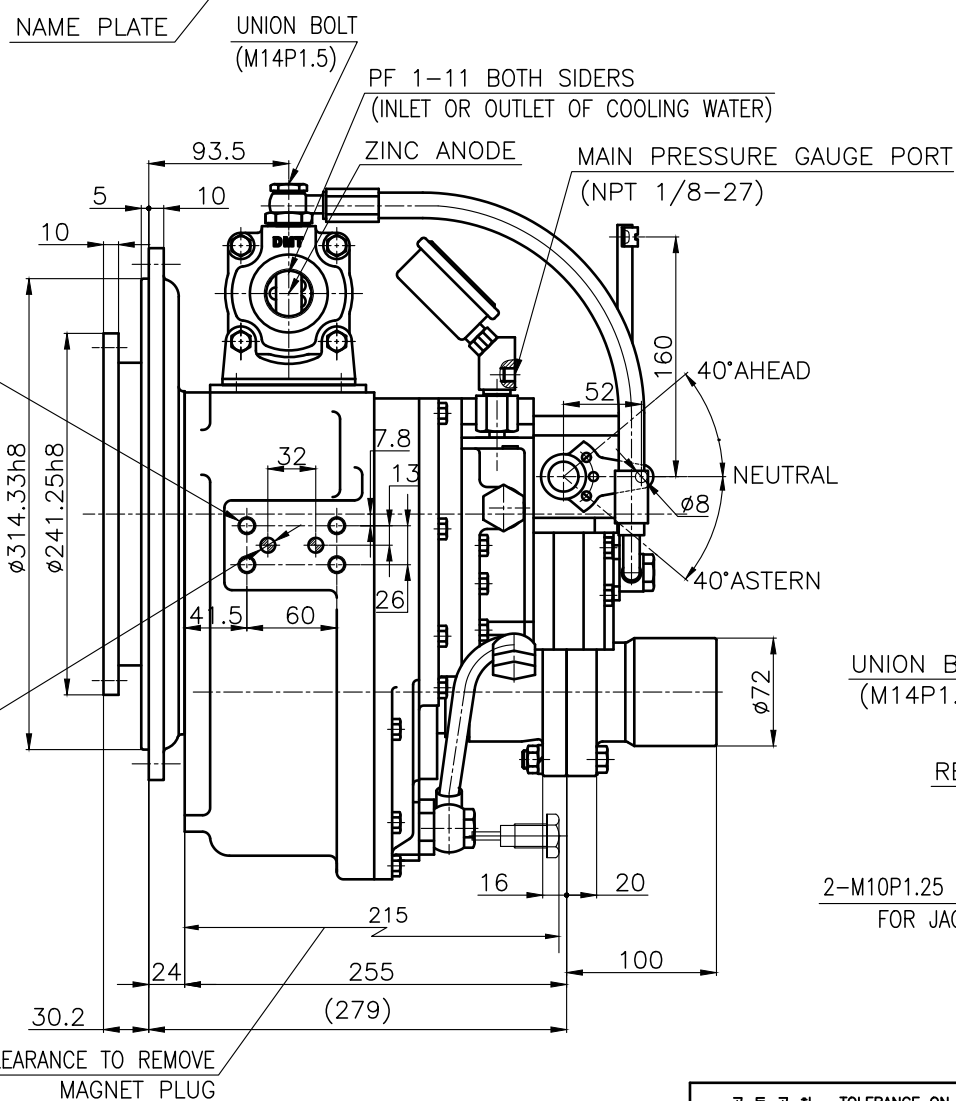
- REMARK
1. HOUSING: SAE#5
 2. DRIVING RING: SAE 7.5"
 3. COULING TYPE : RUBBER



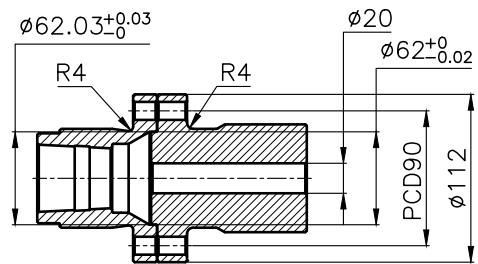
BRACKET DIMENSION



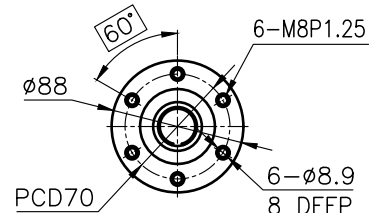
DMT 25AL MARINE TRANSMISSION SPECIFICATION	
GEAR RATIO	1.64, 2.07, 2.52, 2.96, 3.32
TOTAL WEIGHT	APPROX. 77 Kg(DRY)
OIL CAPACITY	APPROX. 2L
OIL VISCOSITY	SAE # 30
OIL PRESSURE	1.96 ~ 2.35 MPa
DIRECTION OF ROTATION IN FORWARD	INPUT C.C.W VIEWED FROM THE STERN OUTPUT C.W VIEWED FROM THE STERN
OIL CHANGE INTERVAL	THE FIRST 100HOURS OF INITIAL OPERATION AND EVERY 1000HOURS THEREAFTER
SHIFTING LIMIT	UNDER 50% OF THE RATED ENGINE SPEED
OIL COOLER	WATER FLOW 20 ~ 40 L/m TEMPERATURE OF COOLING WATER MAX 32°C
OPERATING TORQUE OF SHIFTING LEVER	UNDER 2.94Nm



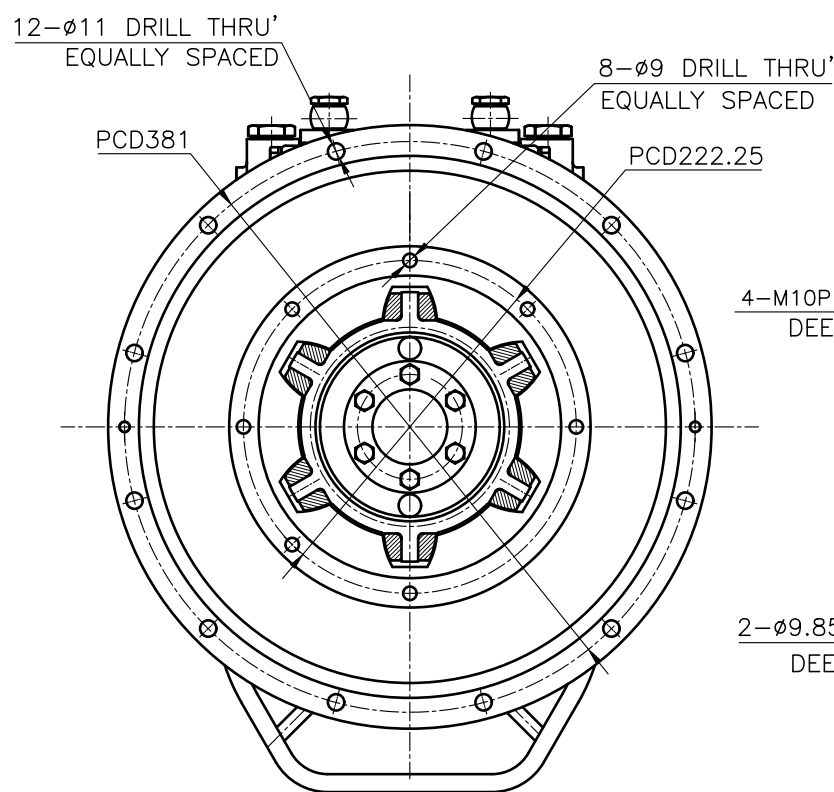
公差表 TOLERANCE ON				PART NO.				PART NAME				REMARKS	
分數	小數	角度	公差	NO.	NO.	NAME	NAME	數量	材料	規格	備註	REMARKS	
FRACTIONS	DECIMALS	ANGLES	TOL.					Q'TY	MATERIAL	SIZE		ORIGINAL DWG. NO.	
±	±	±	±									DMT25AL	
MATERIAL												TYPE	
DATE 2018.06.20 SCALE N/S												MARINE TRANSMISSION	
APPROVED BY JK.Kim TH.Cha BJ.Moon												DWG. NO. 025000LA~E-575RC	
D-I INDUSTRIAL												SIZE A 3	
CODE ID. NO.												SHEET 1 OF 1	



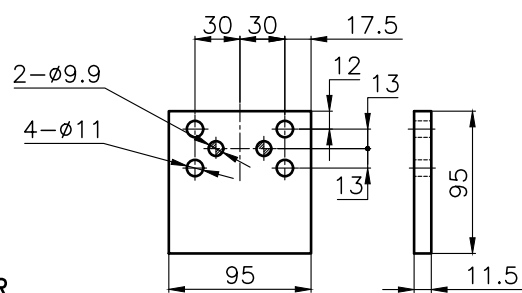
OUTPUT SHAFT COUPLING & PROPELLER COUPLING DIMENSION



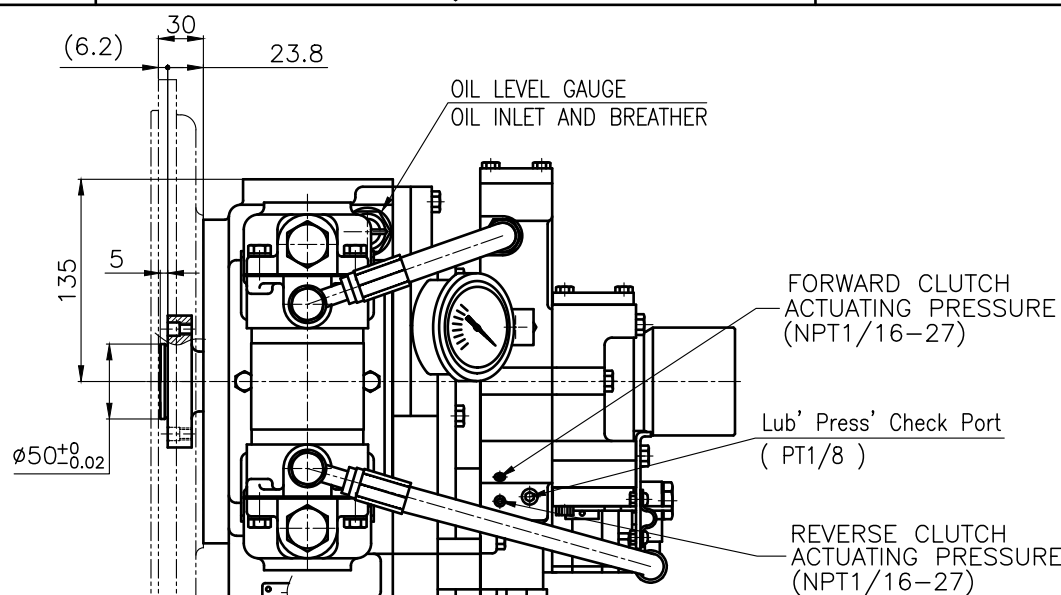
INPUT COUPLING DIMENSION



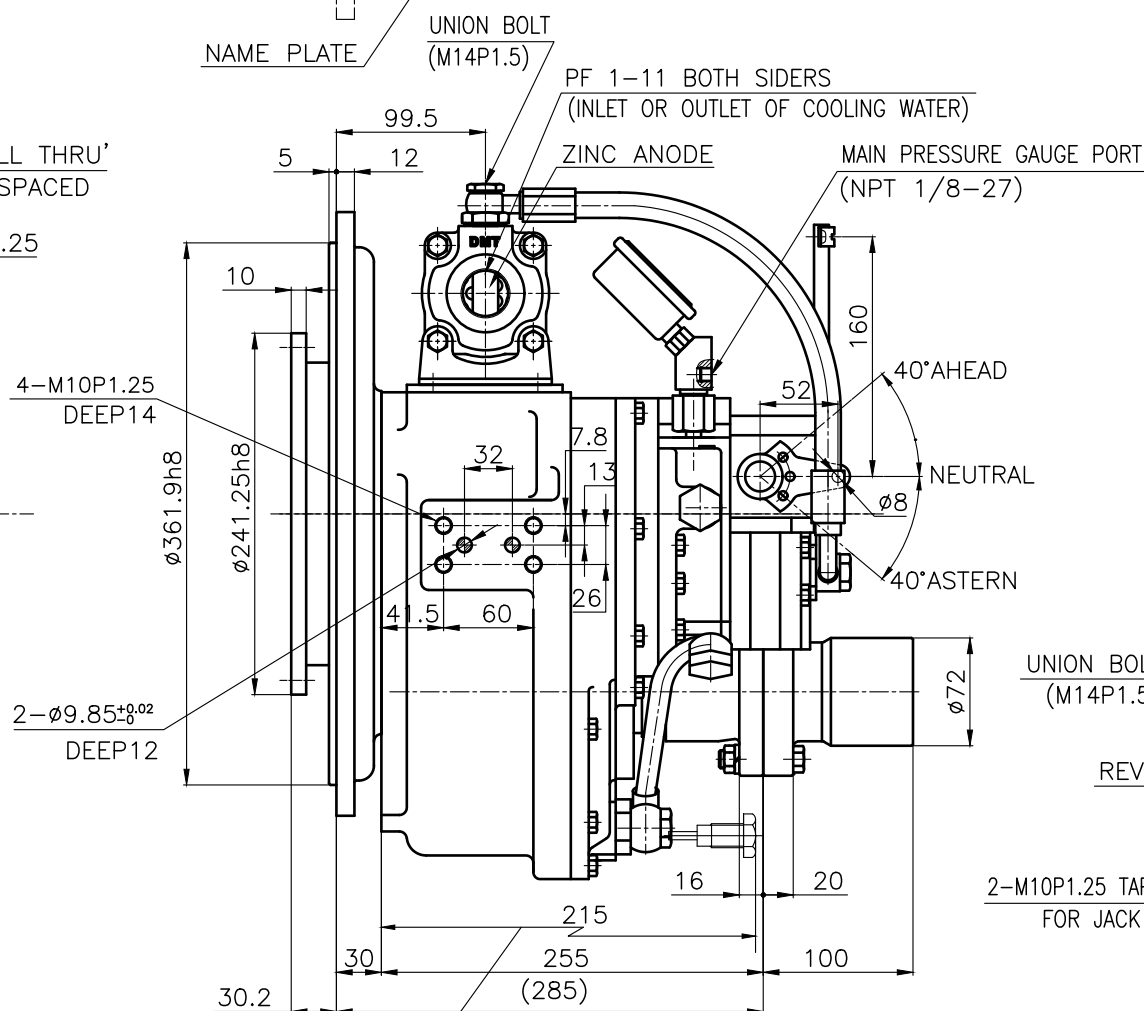
REMARK
 1.HOUSING: SAE#4
 2.DRIVING RING: SAE 7.5"
 3.COULING TYPE : RUBBER



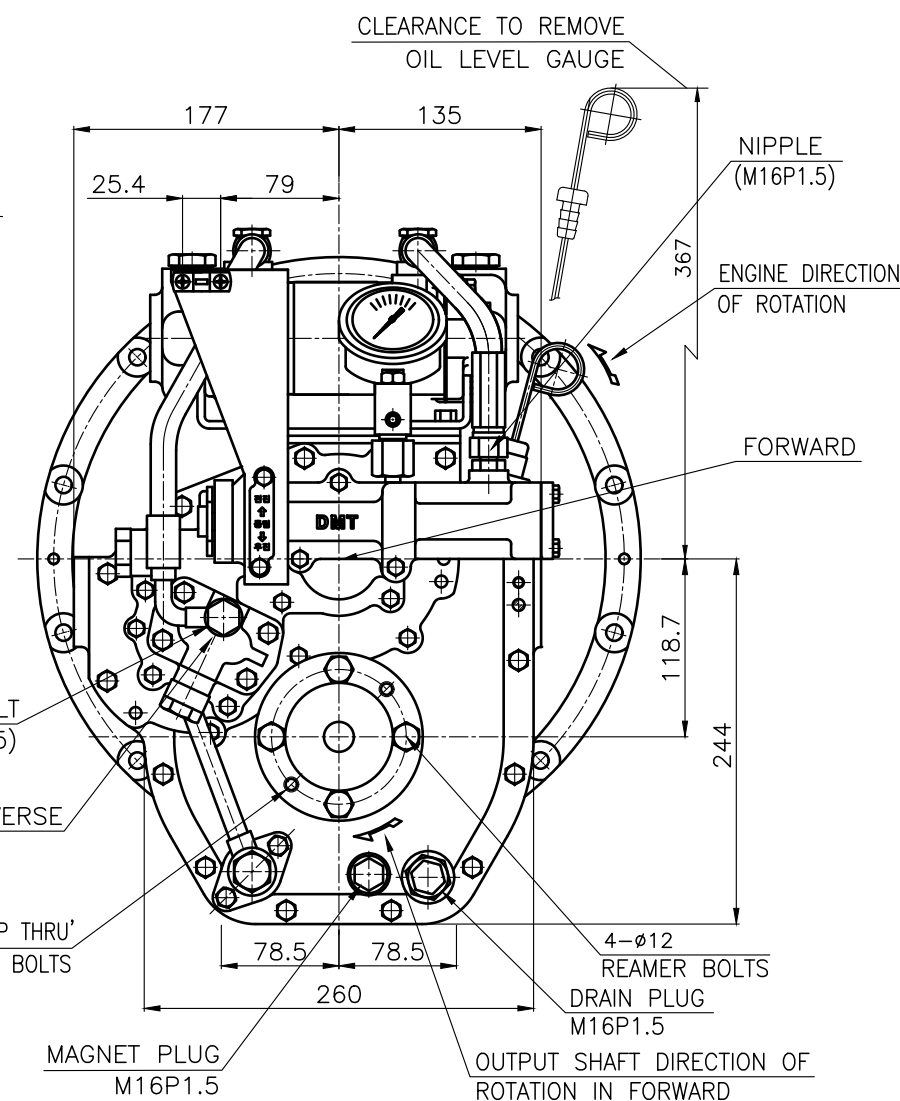
BRACKET DIMENSION



DMT 25AL MARINE TRANSMISSION SPECIFICATION			
GEAR RATIO	1.64, 2.07, 2.52, 2.96, 3.32		
TOTAL WEIGHT	APPROX. 77 Kg(DRY)		
OIL CAPACITY	APPROX. 2L		
OIL VISCOSITY	SAE # 30		
OIL PRESSURE	1.96 ~ 2.35 MPa	CLUTCH OIL	
DIRECTION OF ROTATION	INPUT	C.C.W VIEWED FROM THE STERN	
	OUTPUT	C.W VIEWED FROM THE STERN	
OIL CHANGE INTERVAL	THE FIRST 100HOURS OF INITIAL OPERATION AND EVERY 1000HOURS THEREAFTER		
SHIFTING LIMIT	UNDER 50% OF THE RATED ENGINE SPEED		
OIL COOLER	WATER FLOW 20 ~ 40 L/m		TEMPERATURE OF COOLING WATER
			MAX 32°C
OPERATING TORQUE OF SHIFTING LEVER	UNDER 2.94Nm		

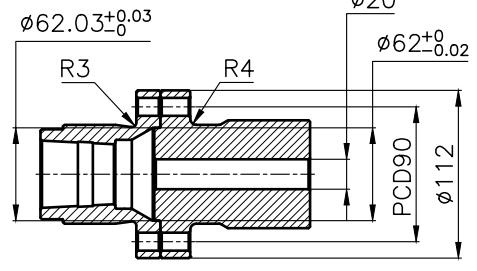


CLEARANCE TO REMOVE MAGNET PLUG

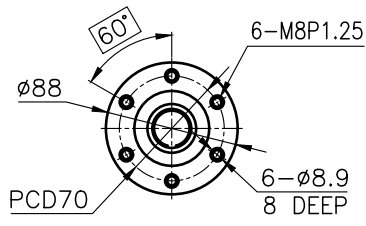


TOLERANCE ON			번호	부품	부품	수량	재질	규격	비고
분수	소수	각도	NO.	NO.	NAME	QTY	MATERIAL	SIZE	REMARKS
FRACTIONS	DECIMALS	ANGLES							
±	±	±							
검사 가공									
구분	조급	중급	정급						
1 초과 4 이하	± 0.3	± 0.1	± 0.05						
4	± 0.5	± 0.2	± 0.07						
16	± 0.7	± 0.3	± 0.1						
63	± 1.2	± 0.5	± 0.2						
250	± 2.0	± 0.8	± 0.3						
APPROVED BY			DATE		SCALE				
JK.Kim			2018.06.20		N/S				
CHECKED BY			DRAWN		DESIGNED				
TH.Cha			BJ.Moon						
DWG. NO.			TYPE		NAME				
025000LA~E-475RC			DMT25AL		MARINE TRANSMISSION				
크기			코드 번호		SHEET 1 OF 1				
A 3			CODE ID. NO.		000				

D-I INDUSTRIAL

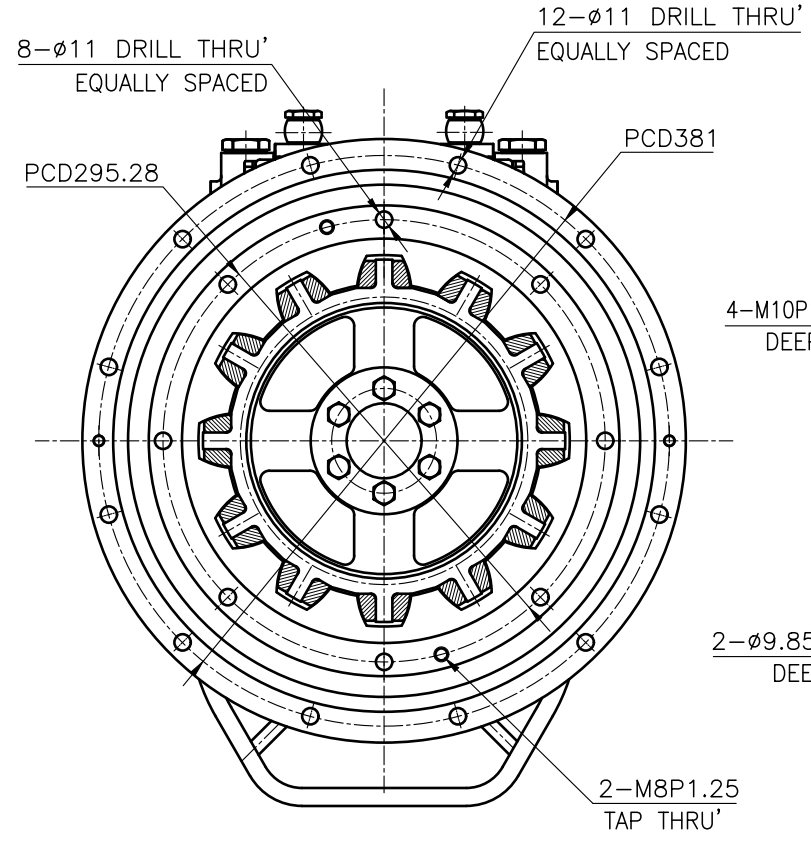
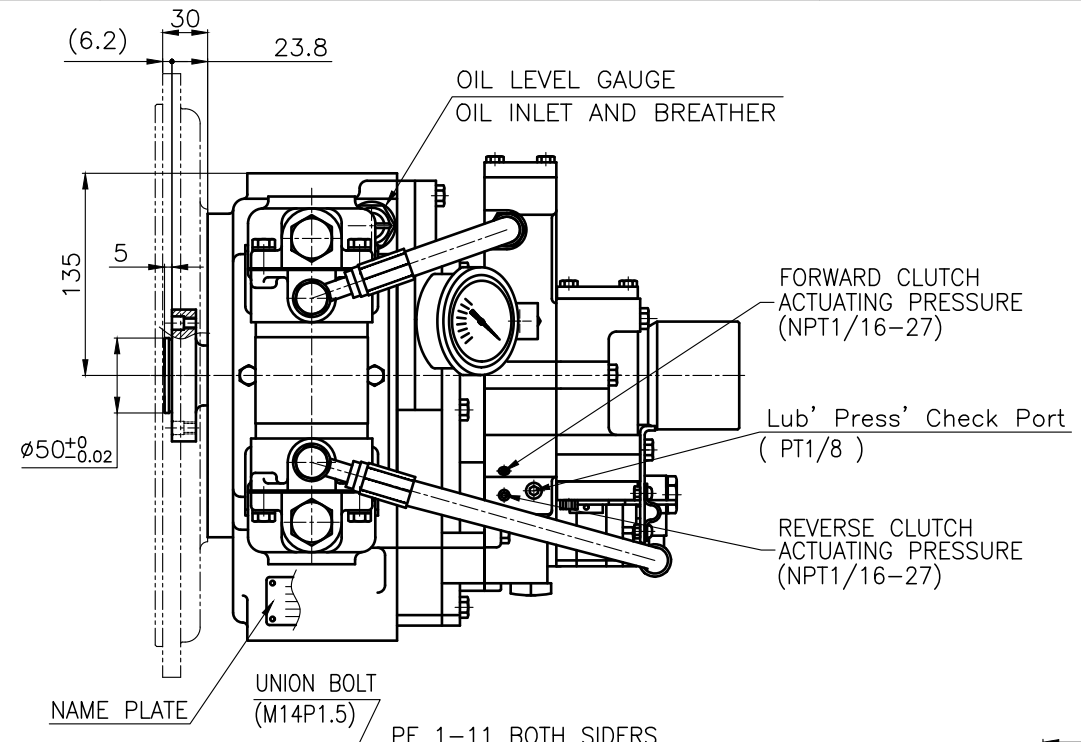


OUTPUT SHAFT COUPLING & PROPELLER COUPLING DIMENSION

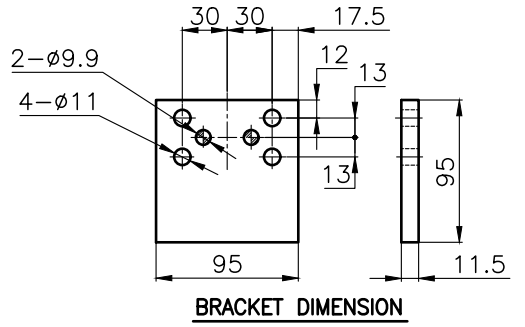


INPUT COUPLING DIMENSION

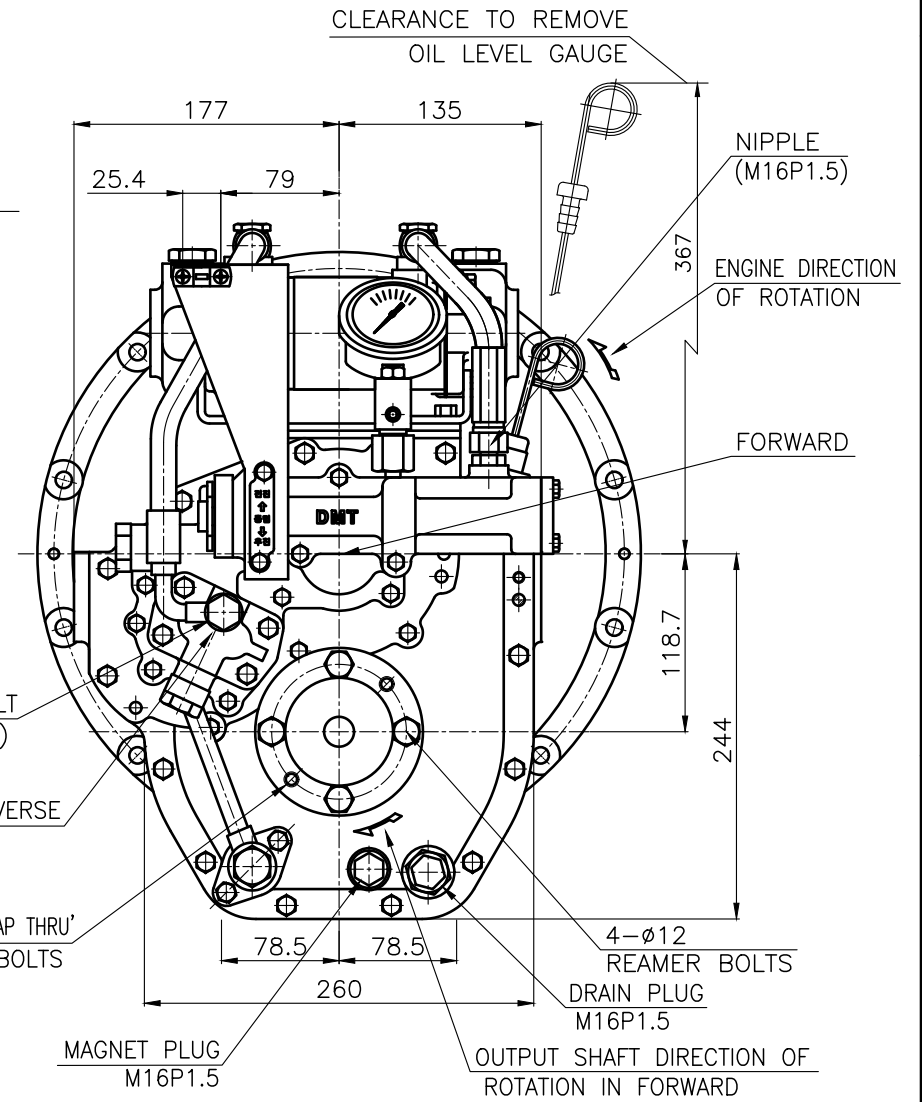
DMT 25AL MARINE TRANSMISSION SPECIFICATION		
GEAR RATIO	1.64, 2.07, 2.52, 2.96, 3.32	
TOTAL WEIGHT	APPROX. 77 Kg(DRY)	
OIL CAPACITY	APPROX. 2L	
OIL VISCOSITY	SAE # 30	
OIL PRESSURE	1.96 ~ 2.35 MPa	CLUTCH OIL
DIRECTION OF ROTATION	INPUT	C.C.W VIEWED FROM THE STERN
	OUTPUT	C.W VIEWED FROM THE STERN
OIL CHANGE INTERVAL	THE FIRST 100HOURS OF INITIAL OPERATION AND EVERY 1000HOURS THEREAFTER	
SHIFTING LIMIT	UNDER 50% OF THE RATED ENGINE SPEED	
OIL COOLER	WATER FLOW 20 ~ 40 L/m	TEMPERATURE OF COOLING WATER MAX 32°C
OPERATING TORQUE OF SHIFTING LEVER	UNDER 2.94Nm	



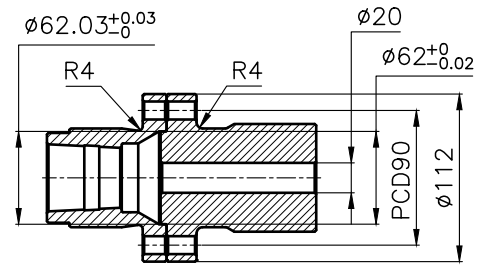
REMARK
 1.HOUSING: SAE#4
 2.DRIVING RING: SAE 10"
 3.COULING TYPE : RUBBER



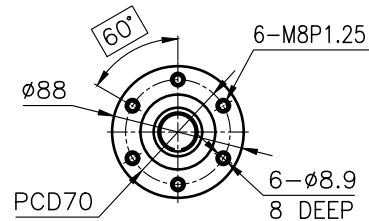
BRACKET DIMENSION



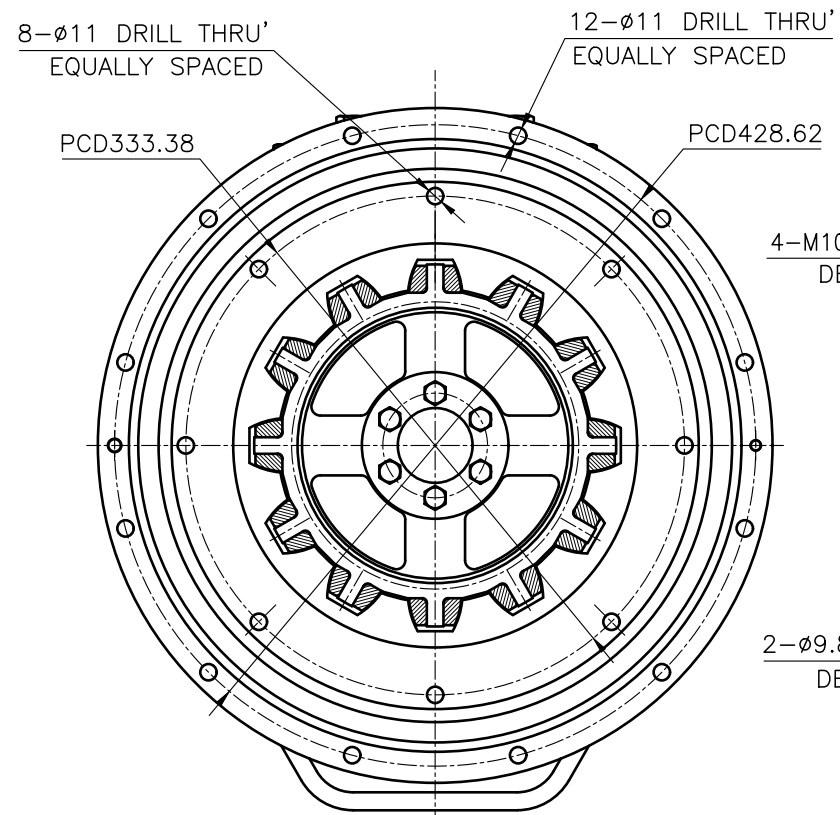
公差表 TOLERANCE ON				PART NO.		PART NAME		REMARKS	
분수	소수	각도		번호	명	수량	재질	규격	비고
FRACTIONS	DECIMALS	ANGLES		NO.	NAME	QTY	MATERIAL	SIZE	REMARKS
±	±	±							
검사 가공				D-I INDUSTRIAL					
일	구분	조급	중급	정급	DATE	SCALE	TYPE		
년	1 초과 4 이하	± 0.3	± 0.1	± 0.05	2018.06.20	N/S	DMT25AL		
월	4	± 0.5	± 0.2	± 0.07	APPROVED BY	CHECKED BY	MARINE TRANSMISSION		
일	16	± 0.7	± 0.3	± 0.1	JK.Kim	TH.Cha	DWG. NO. 025000LA~E-410RC		
차	63	± 1.2	± 0.5	± 0.2	DESIGNED		000		
	250	± 2.0	± 0.8	± 0.3	D-I INDUSTRIAL		크기 A 8		
							코드 번호 CODE ID. NO.		



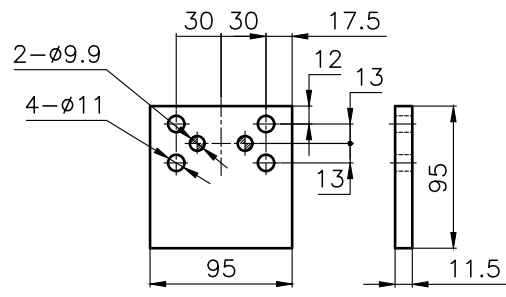
OUTPUT SHAFT COUPLING & PROPELLER COUPLING DIMENSION



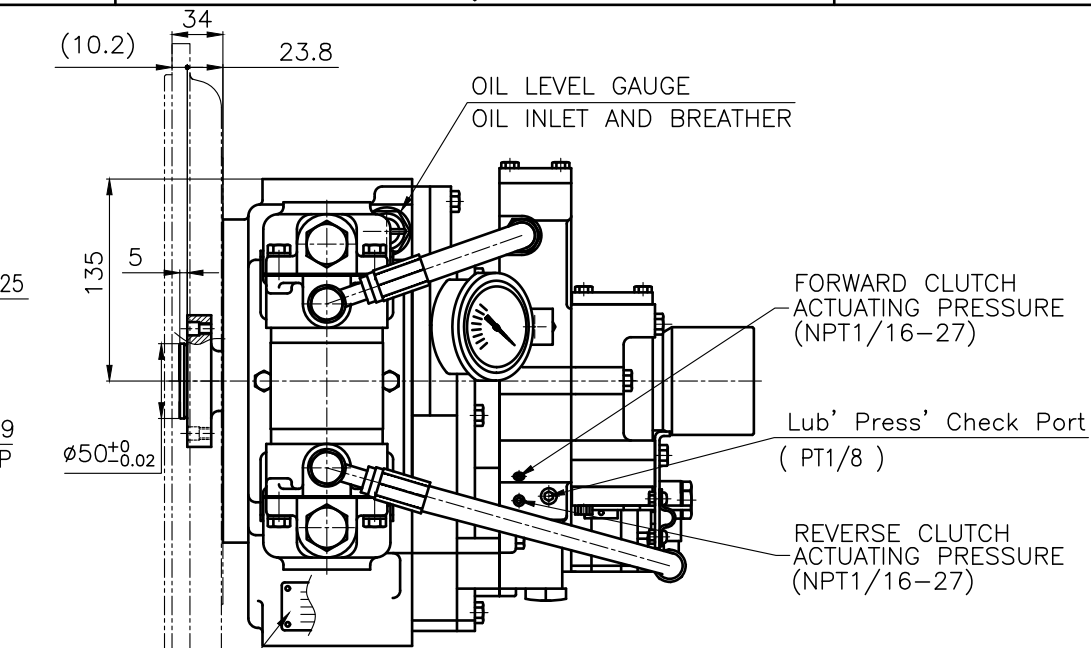
INPUT COUPLING DIMENSION



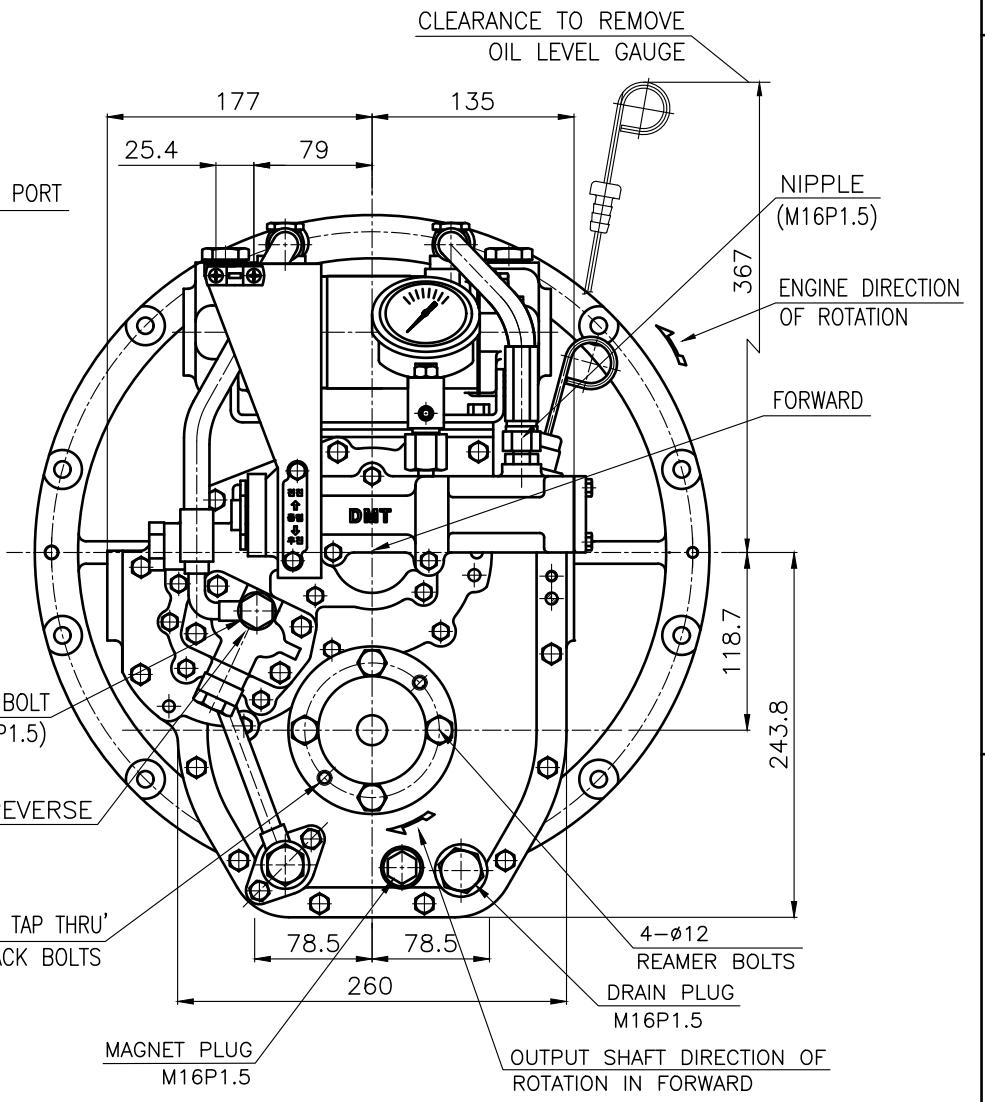
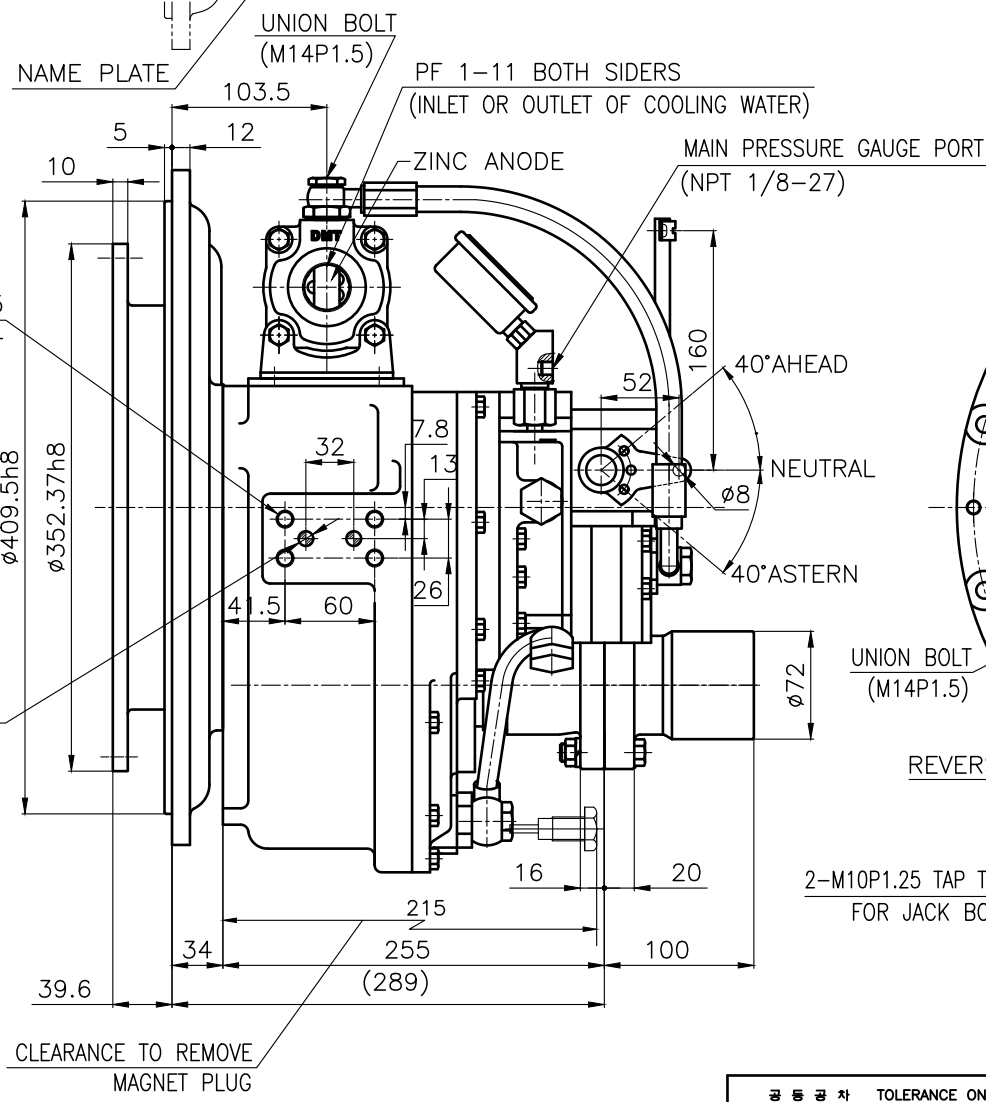
- REMARK
- 1.HOUSING: SAE#3
 - 2.DRIVING RING: SAE 11.5"
 - 3.COULING TYPE : RUBBER



BRACKET DIMENSION



DMT 25AL MARINE TRANSMISSION SPECIFICATION	
GEAR RATIO	1.64, 2.07, 2.52, 2.96, 3.32
TOTAL WEIGHT	APPROX. 77 Kg(DRY)
OIL CAPACITY	APPROX. 2L
OIL VISCOSITY	SAE # 30
OIL PRESSURE	1.96 ~ 2.35 MPa
DIRECTION OF ROTATION IN FORWARD	INPUT C.C.W VIEWED FROM THE STERN OUTPUT C.W VIEWED FROM THE STERN
OIL CHANGE INTERVAL	THE FIRST 100HOURS OF INITIAL OPERATION AND EVERY 1000HOURS THEREAFTER
SHIFTING LIMIT	UNDER 50% OF THE RATED ENGINE SPEED
OIL COOLER	WATER FLOW 20 ~ 40 L/m TEMPERATURE OF COOLING WATER MAX 32°C
OPERATING TORQUE OF SHIFTING LEVER	UNDER 2.94Nm



公差 TOLERANCE ON		材料 MATERIAL		数量 Q'TY		材料 MATERIAL		规格 SIZE		备注 REMARKS	
分数 FRACTIONS	小数 DECIMALS	角度 ANGLES	材料 MATERIAL	数量 Q'TY	材料 MATERIAL	规格 SIZE	规格 SIZE	备注 REMARKS	备注 REMARKS	备注 REMARKS	备注 REMARKS
±	±	°	材料 MATERIAL	数量 Q'TY	材料 MATERIAL	规格 SIZE	规格 SIZE	备注 REMARKS	备注 REMARKS	备注 REMARKS	备注 REMARKS
1 초과 4 이하	± 0.3	± 0.1	± 0.05	1	DMT25AL	DMT25AL	DMT25AL	원도 번호 ORIGINAL DWG. NO.			
4	± 0.5	± 0.2	± 0.07	4	MARINE TRANSMISSION	MARINE TRANSMISSION	MARINE TRANSMISSION	도 번호 DWG. NO.	025000LA~E-3115RC	개정(REV.)	000
16	± 0.7	± 0.3	± 0.1	16				크기 SIZE	A 8	코드 번호 CODE ID. NO.	
63	± 1.2	± 0.5	± 0.2	63				D-I INDUSTRIAL			
250	± 2.0	± 0.8	± 0.3	250							