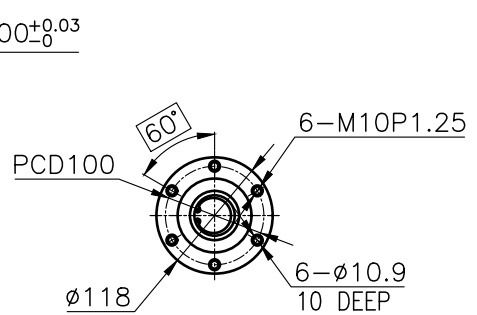
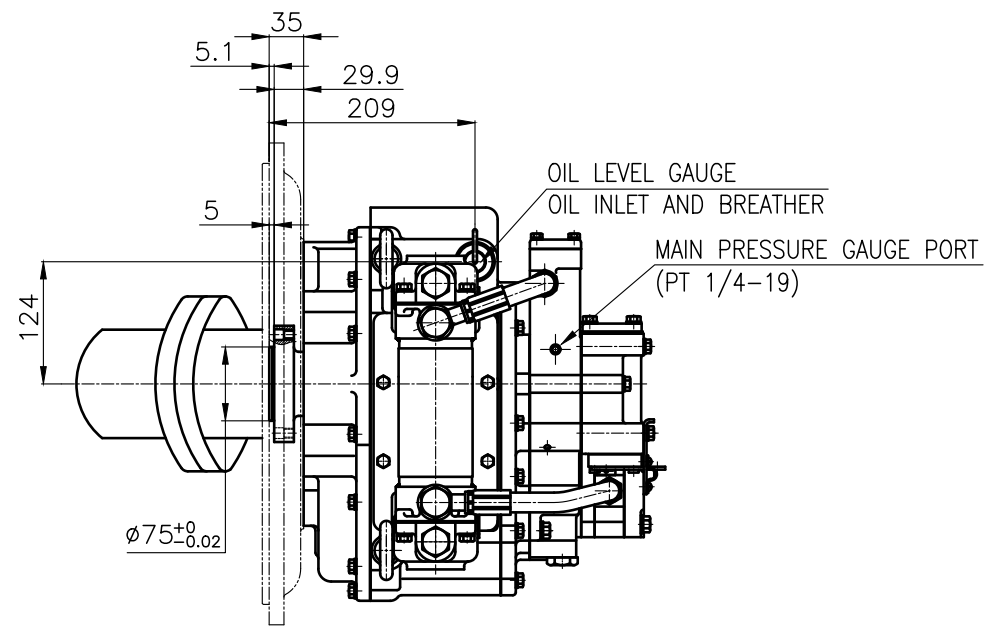


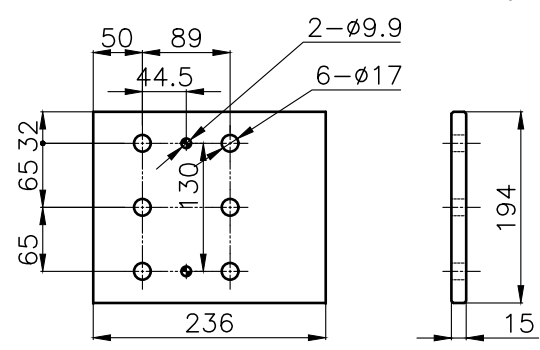
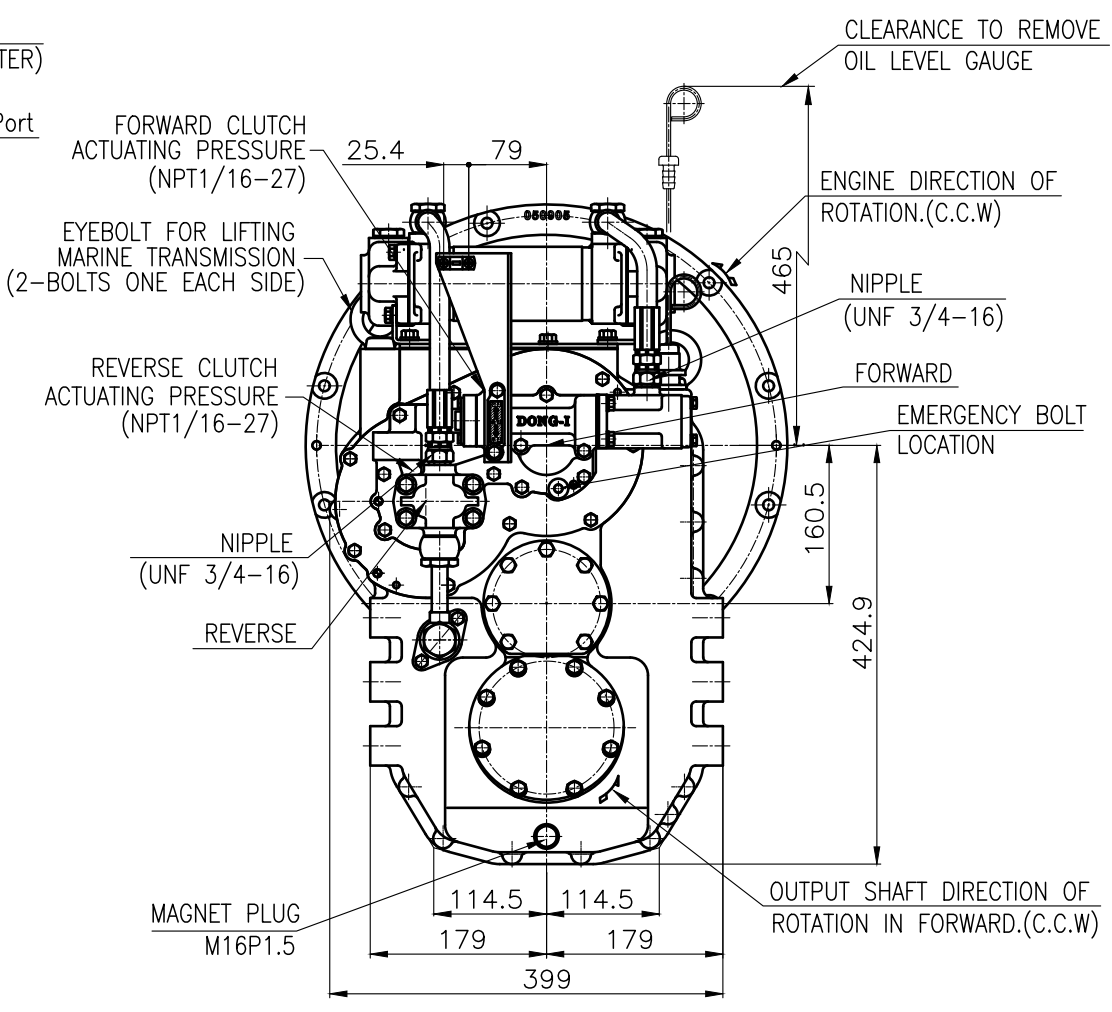
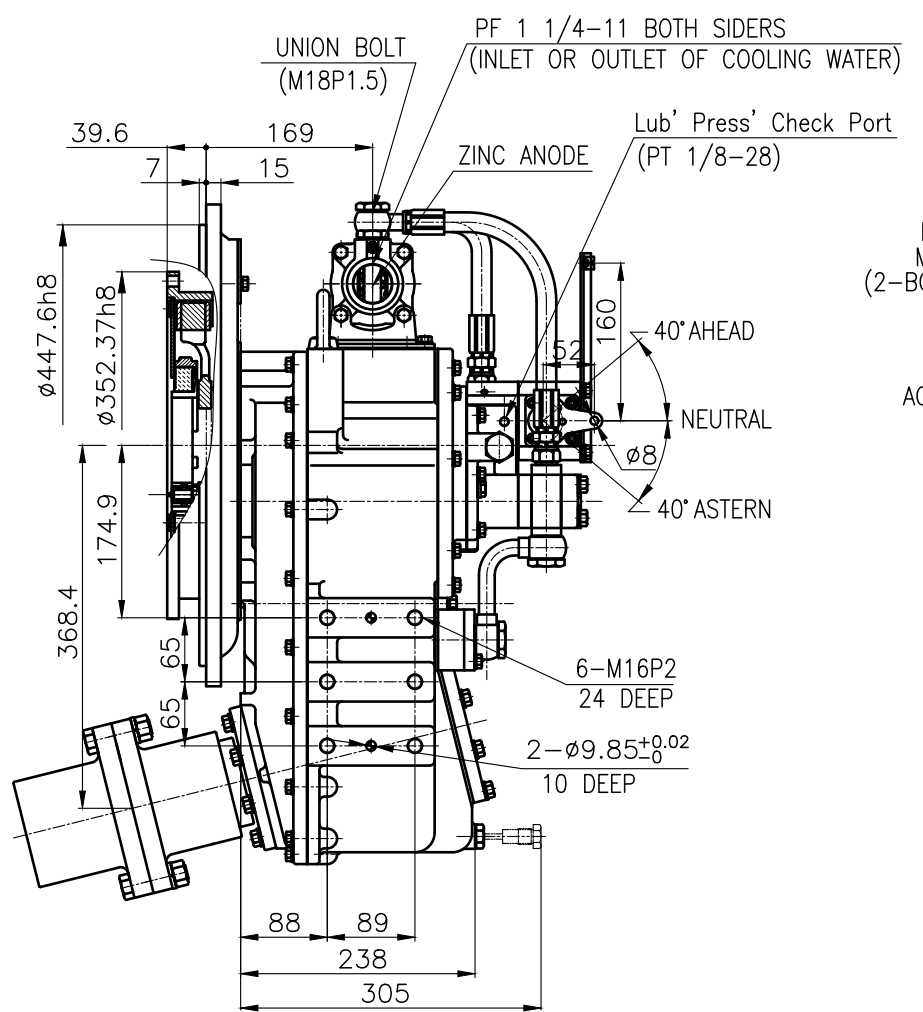
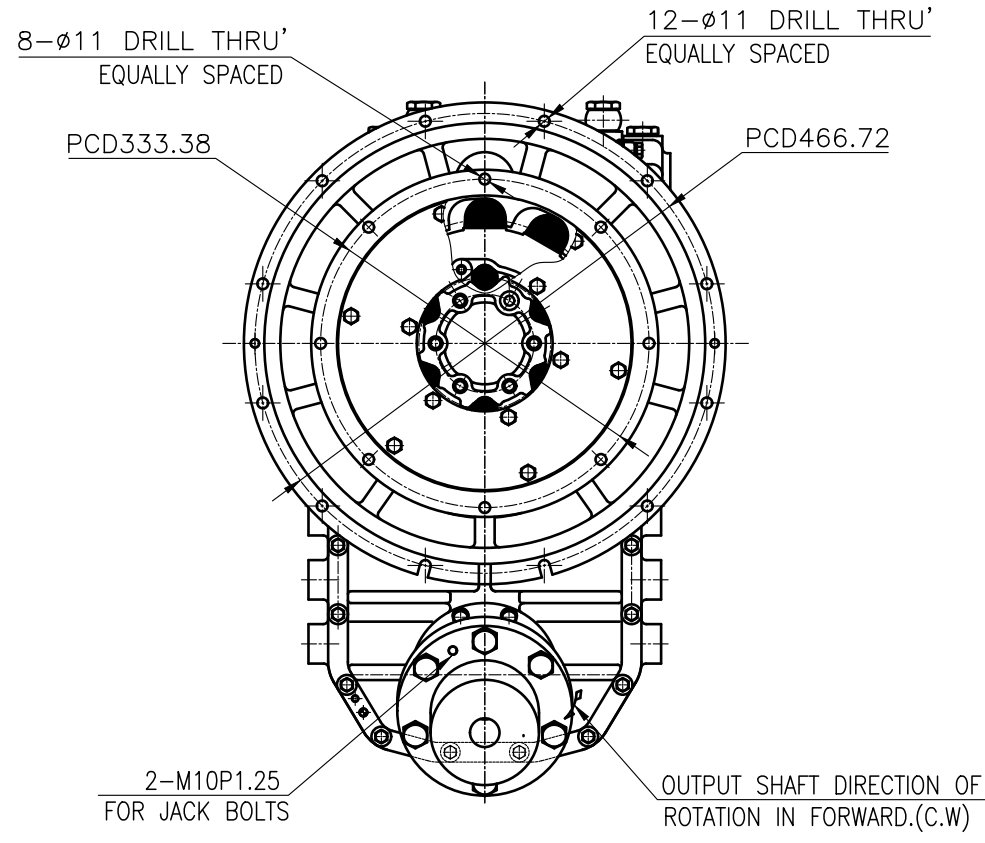
OUTPUT SHAFT COUPLING & PROPELLER COUPLING DIMENSION



INPUT COUPLING DIMENSION



DMT100IV MARINE TRANSMISSION SPECIFICATION	
GEAR RATIO	1.21, 1.54, 1.84, 2.12, 2.52
TOTAL WEIGHT	APPROX 150 kg(DRY)
OIL CAPACITY	APPROX. 7 L
OIL VISCOSITY	SAE # 30
OIL PRESSURE	1.961 ~ 2.353MPa CLUTCH OIL
DIRECTION OF ROTATION	INPUT C.C.W VIEWED FROM THE STERN
IN FORWARD	OUTPUT C.C.W VIEWED FROM THE STERN
OIL CHANGE INTERVAL	THE FIRST 100HOURS OF INITIAL OPERATION AND EVERY 1000HOURS THEREAFTER
SHIFTING LIMIT	UNDER 50% OF THE RATED ENGINE SPEED
OIL COOLER	WATER FLOW 40 ~ 60 L/min
	TEMPERATURE OF COOLING WATER MAX 32 °C
OPERATING TORQUE OF SHIFTING LEVER	UNDER 3 Nm



BRACKET DIMENSION

- REMARK
- 1.HOUSING: SAE#2
 - 2.DRIVING RING: SAE 11.5"
 - 3.COUPLING TYPE : DUAL STAGE

TOLERANCE ON				번호	품명	PART NO.	PART NAME	개수	재료	규격	비고
분수	소수	각도		NO.	NAME			Q'TY	MATERIAL	SIZE	REMARKS
±	±	±									
±	±	±									
검사기준				재질: 작성 DATE: 2018.06.20 척도: N/S 승인: JK.Kim 검토: TH.Cha 설계: CH.Baek APPROVED BY: JK.Kim CHECKED BY: TH.Cha DRAWN: CH.Baek DESIGNED: CH.Baek							
입	구	현	조	급	종	급	정	급	형식: DMT100IV 품명: MARINE TRANSMISSION 도번: V100000GE~GH-2115DC DWG. NO.: 000		
반	1	초	과	4	이	하			개칭(REV.): 000		
량	4	16		± 0.3	± 0.1	± 0.05			크기: A 3 코드 번호: CODE ID. NO.		
차	16	63		± 0.5	± 0.2	± 0.07			D-I INDUSTRIAL		
	63	250		± 0.7	± 0.3	± 0.1			SHEET 1 OF 1		
	250	1000		± 1.2	± 0.5	± 0.2			004(841x594)		
				± 2.0	± 0.8	± 0.3					