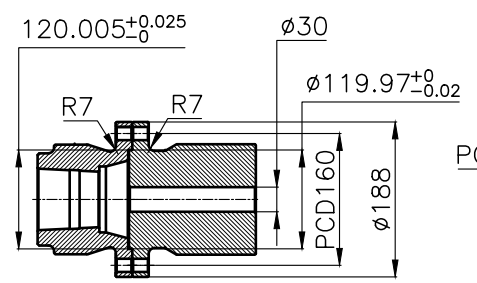
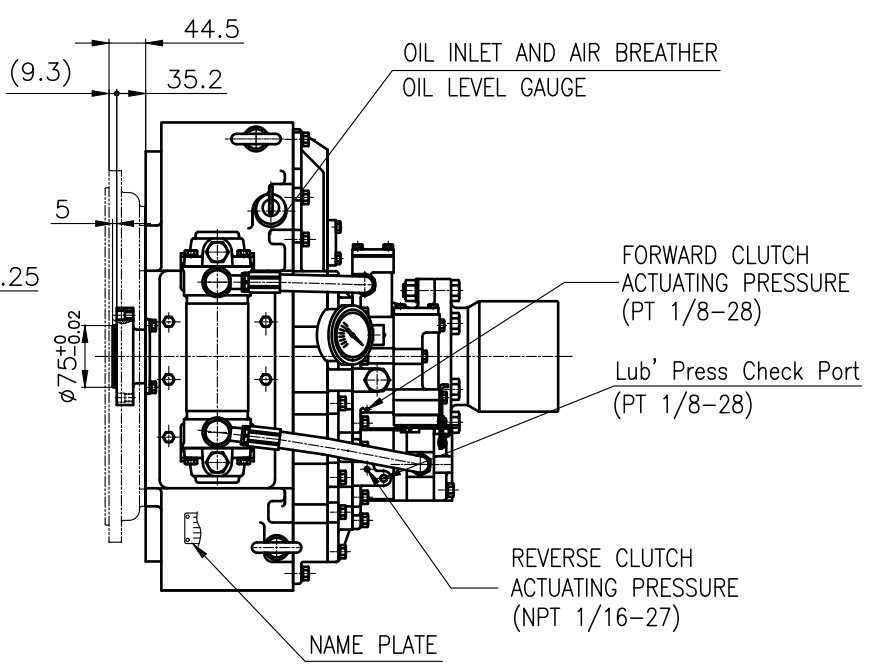
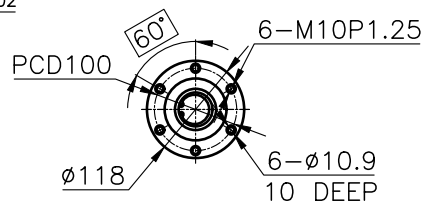


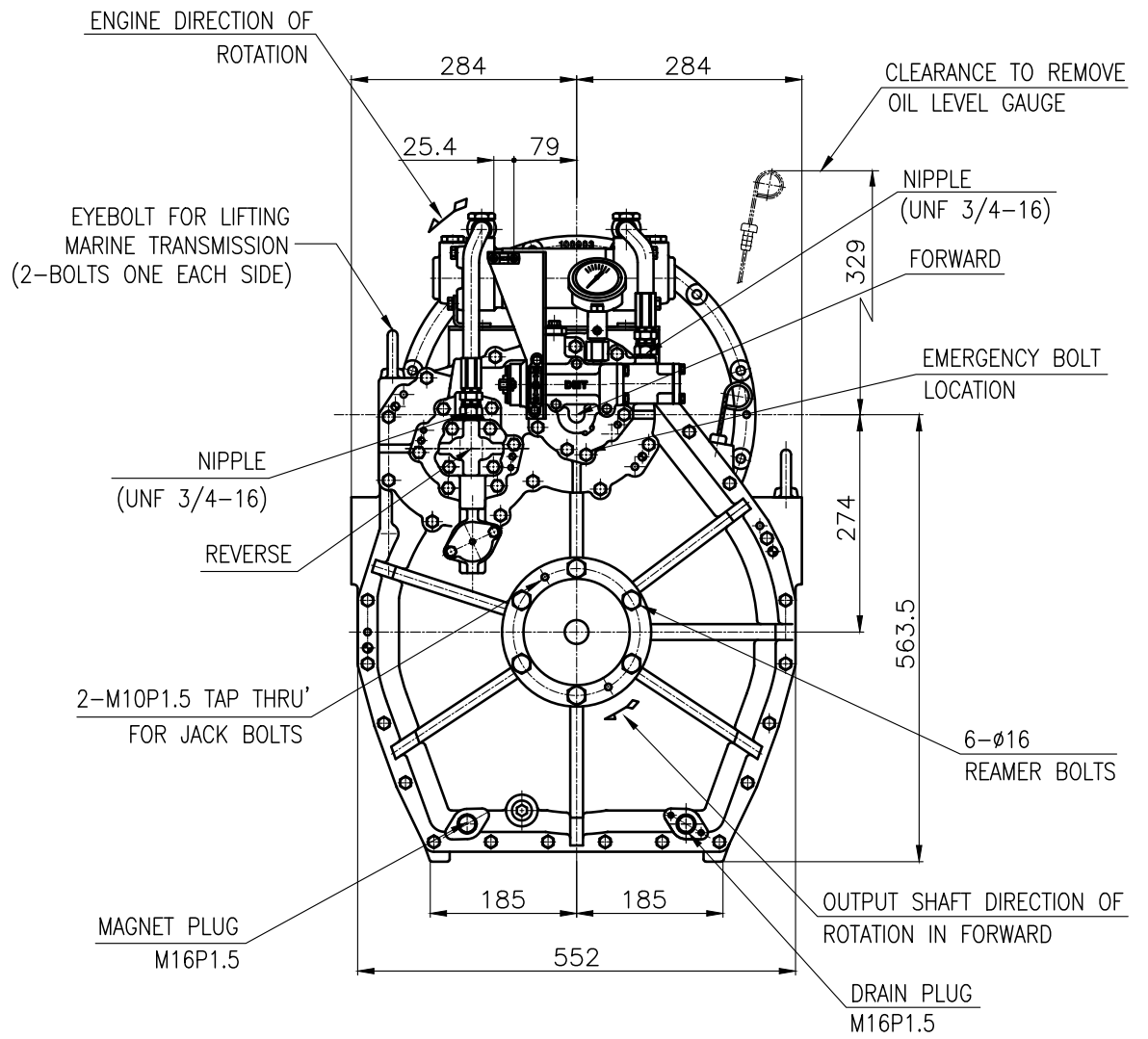
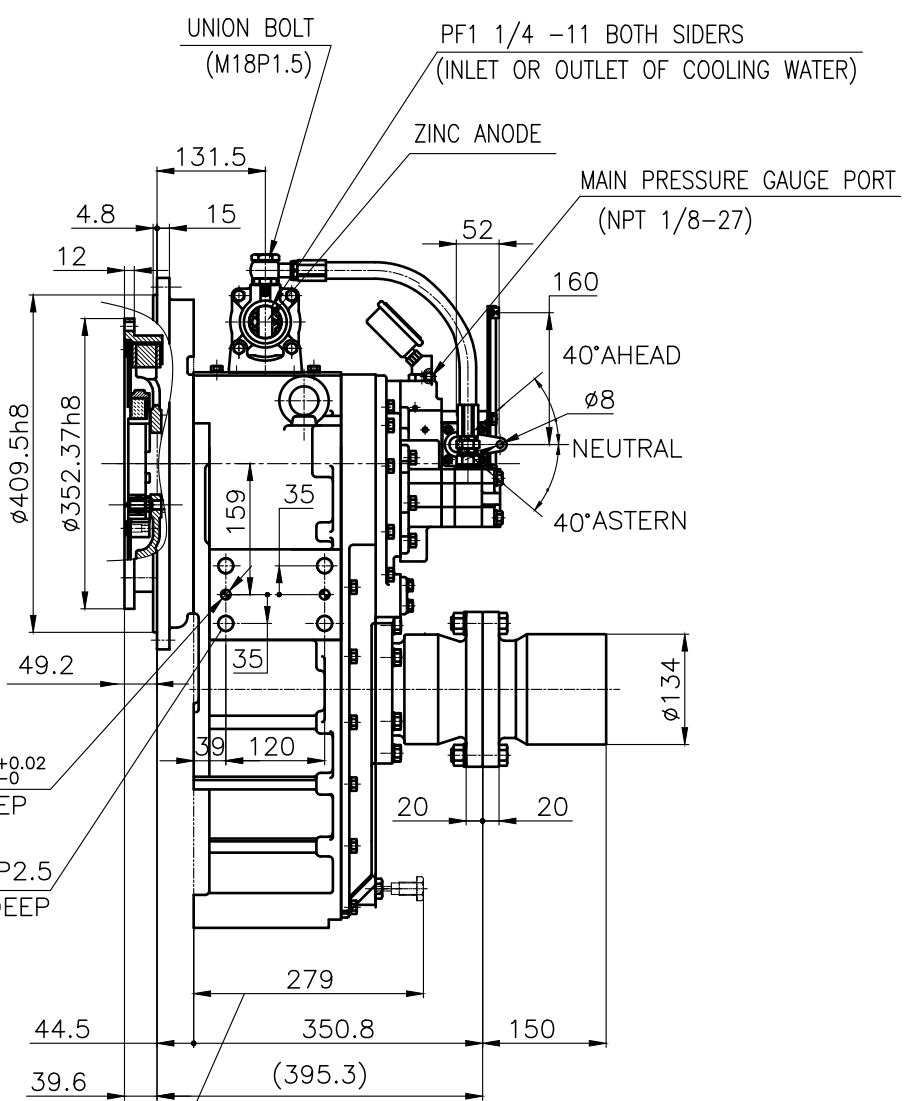
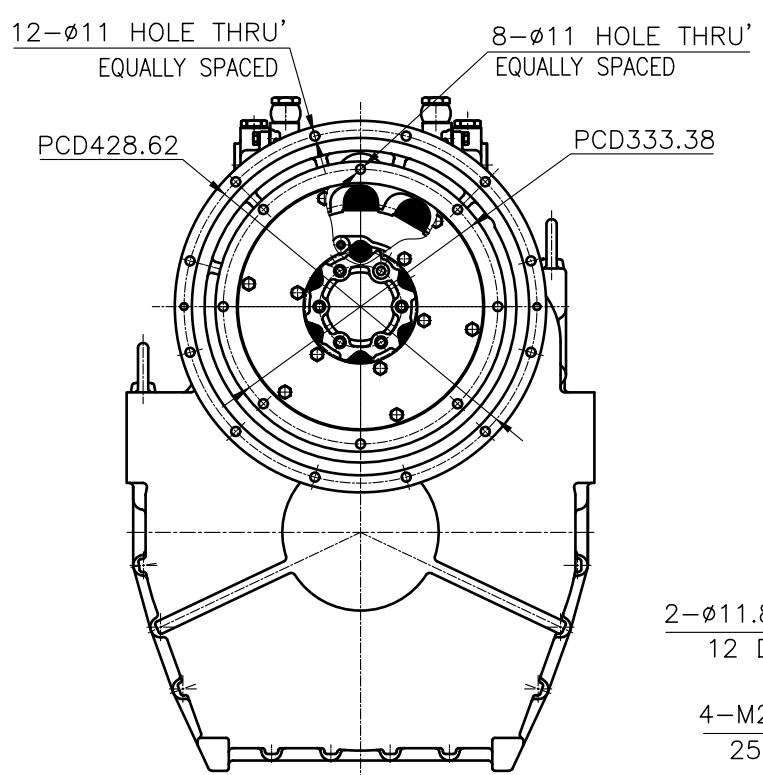
OUTPUT SHAFT COUPLING & PROPELLER COUPLING DIMENSION



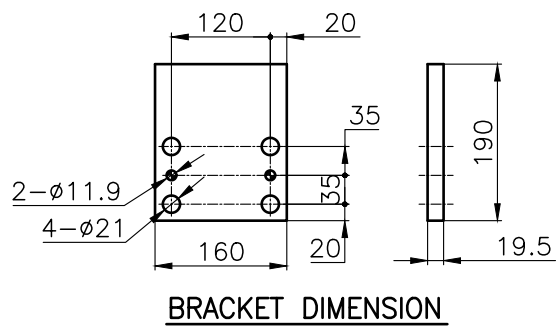
INPUT COUPLING DIMENSION



DMT 100HL MARINE TRANSMISSION SPECIFICATION		
GEAR RATIO	5.29, 5.95, 4.07, 4.50, 4.95	
TOTAL WEIGHT	APPROX. 263 kg(DRY)	
OIL CAPACITY	APPROX. 9.5L	
OIL VISCOSITY	SAE # 30	
OIL PRESSURE	1.96 ~ 2.54 MPa	CLUTCH OIL
DIRECTION OF ROTATION	INPUT	C.C.W VIEWED FROM THE STERN
	OUTPUT	C.W VIEWED FROM THE STERN
OIL CHANGE INTERVAL	THE FIRST 100HOURS OF INITIAL OPERATION AND EVERY 1000HOURS THEREAFTER	
SHIFTING LIMIT	UNDER 50% OF THE RATED ENGINE SPEED	
OIL COOLER	WATER FLOW 40 ~ 60L/min	
	TEMPERATURE OF COOLING WATER MAX 32°C	
OPERATING TORQUE OF SHIFTING LEVER	UNDER 2.94Nm	

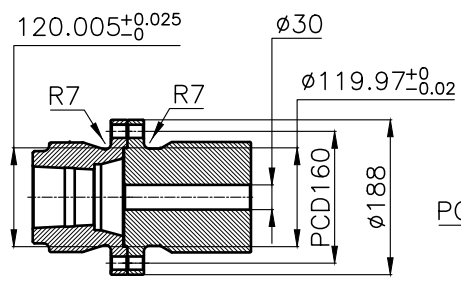


REMARK
 1.HOUSING: SAE#3
 2.DRIVING RING: SAE 11.5"
 3.COUPLING TYPE : DUAL STAGE
 4.APPLICATION ENGINE : STANDARD

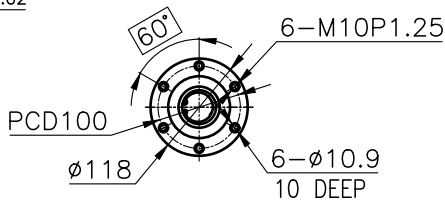


TOLERANCE ON		PART NO.		PART NAME		Q'TY		MATERIAL		SIZE		REMARKS	
FRACTIONS	DECIMALS	각도	±	±	±	±	±	±	±	±	±	±	±
±	±	±	±	±	±	±	±	±	±	±	±	±	±
1 초과 4 이하		± 0.3	± 0.1	± 0.05									
4		± 0.5	± 0.2	± 0.07									
16		± 0.7	± 0.3	± 0.1									
63		± 1.2	± 0.5	± 0.2									
250		± 2.0	± 0.8	± 0.3									
1000		± 2.0	± 0.8	± 0.3									

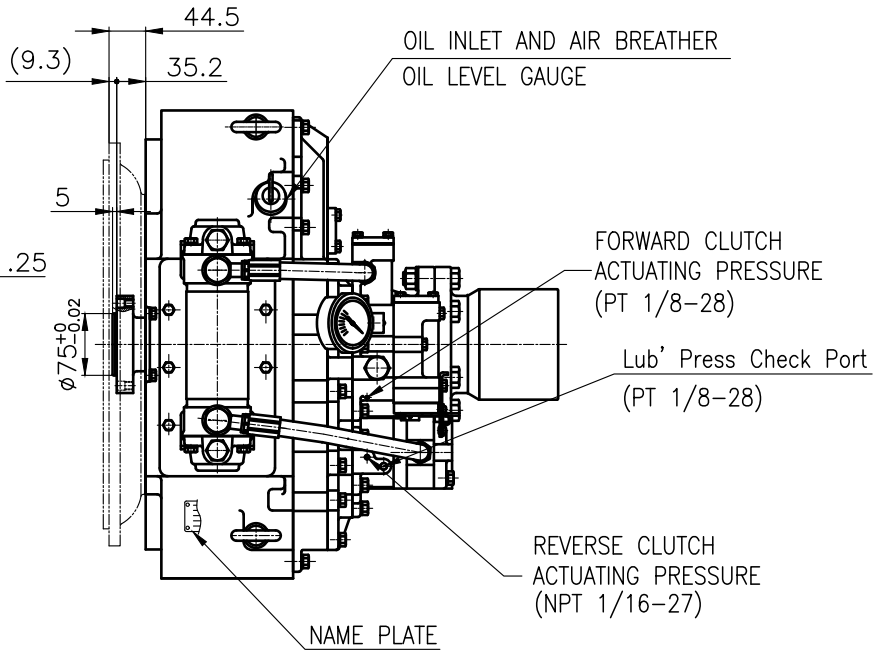
번호	작성 DATE	척도	SCALE	TYPE	DMT100HL
2018.06.20	2018.06.20	N/S	N/S	MARINE TRANSMISSION	
APPROVED BY	CHECKED BY	DESIGNED	SCALE	NAME	JK.Kim TH.Cha CH.Baek
JK.Kim	TH.Cha	CH.Baek		DWG. NO.	10000GHA~E-3115DC
D-I INDUSTRIAL				SIZE	A 3
				CODE ID. NO.	



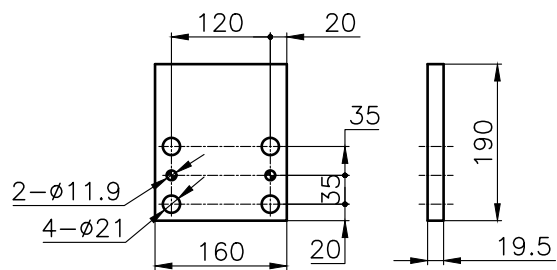
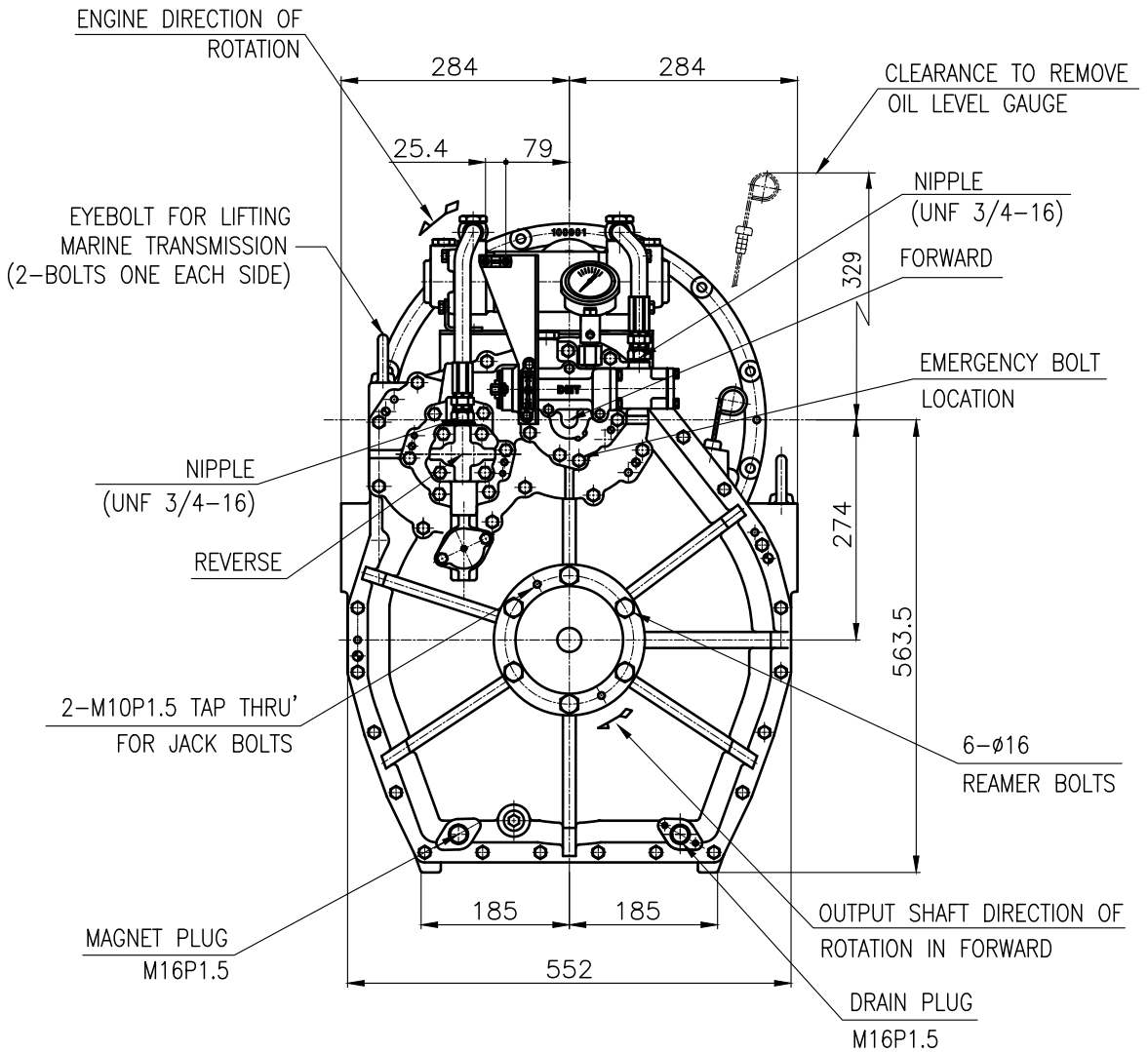
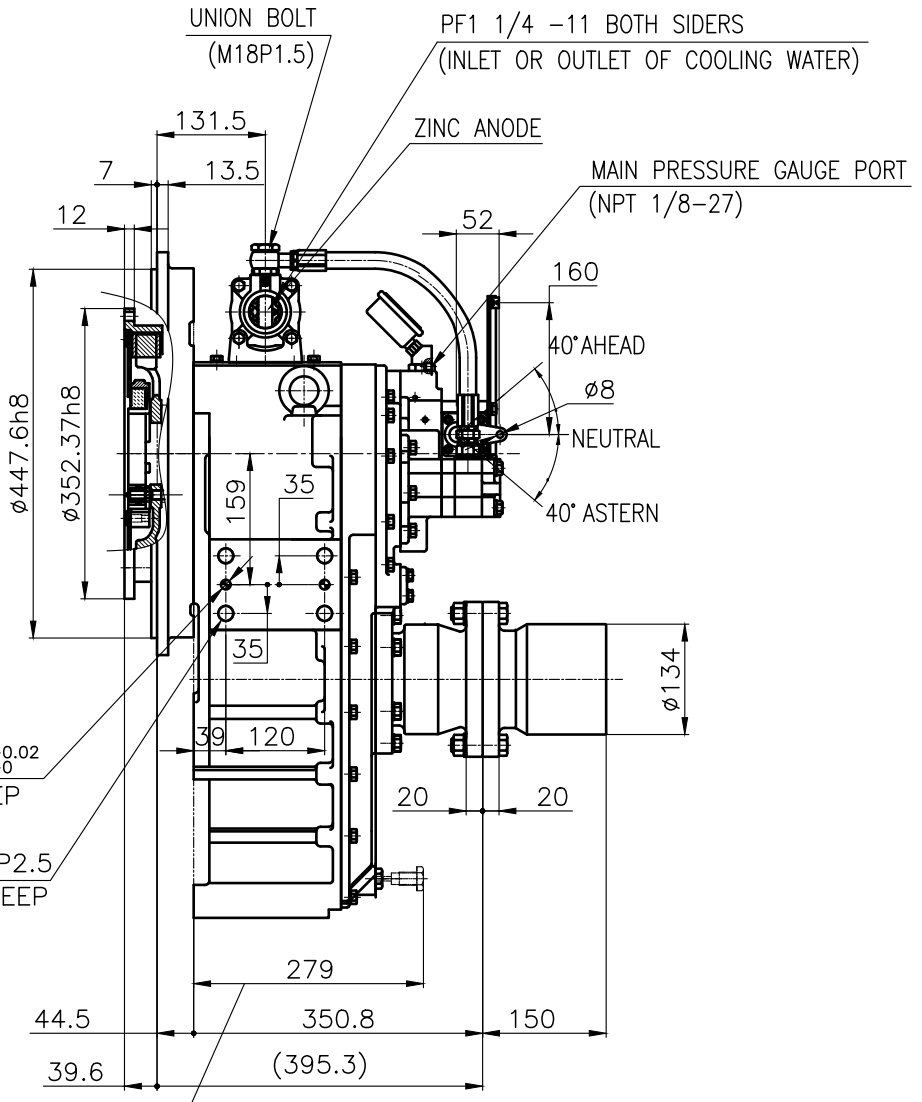
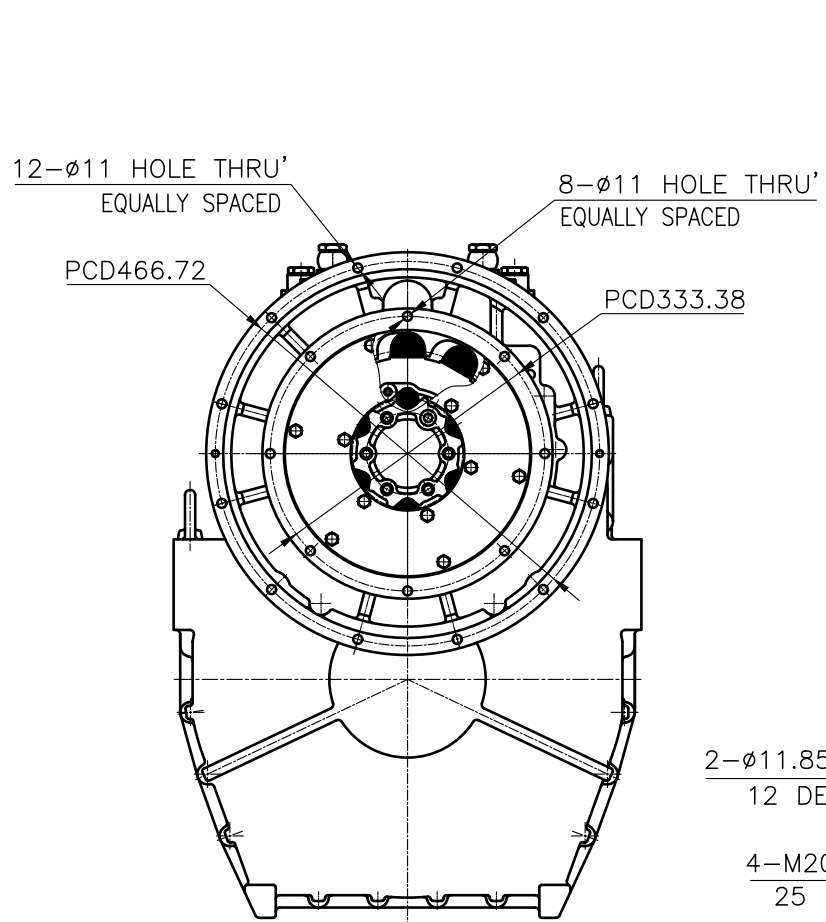
OUTPUT SHAFT COUPLING & PROPELLER COUPLING DIMENSION



INPUT COUPLING DIMENSION



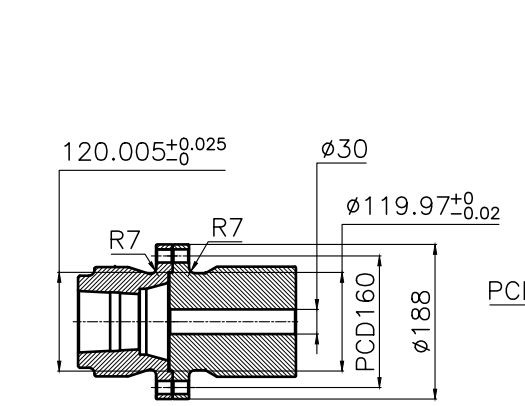
DMT 100HL MARINE TRANSMISSION SPECIFICATION		
GEAR RATIO	5.29, 5.95, 4.07, 4.50, 4.95	
TOTAL WEIGHT	APPROX. 263 kg(DRY)	
OIL CAPACITY	APPROX. 9.5L	
OIL VISCOSITY	SAE # 30	
OIL PRESSURE	1.96 ~ 2.54 MPa	CLUTCH OIL
DIRECTION OF ROTATION IN FORWARD	INPUT	C.C.W VIEWED FROM THE STERN
	OUTPUT	C.W VIEWED FROM THE STERN
OIL CHANGE INTERVAL	THE FIRST 100HOURS OF INITIAL OPERATION AND EVERY 1000HOURS THEREAFTER	
SHIFTING LIMIT	UNDER 50% OF THE RATED ENGINE SPEED	
OIL COOLER	WATER FLOW 40 ~ 60L/min	
	TEMPERATURE OF COOLING WATER	MAX 32°C
OPERATING TORQUE OF SHIFTING LEVER	UNDER 2.94Nm	



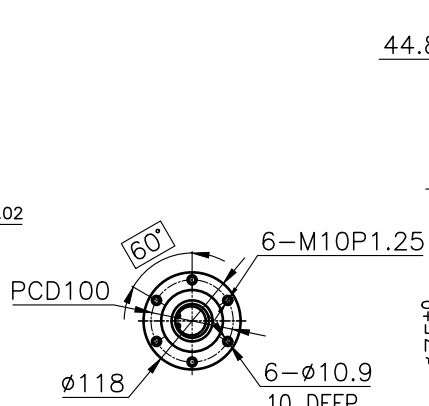
BRACKET DIMENSION

- REMARK
- HOUSING: SAE#2
 - DRIVING RING: SAE 11.5"
 - COUPLING TYPE : DUAL STAGE
 - APPLICATION ENGINE : STANDARD

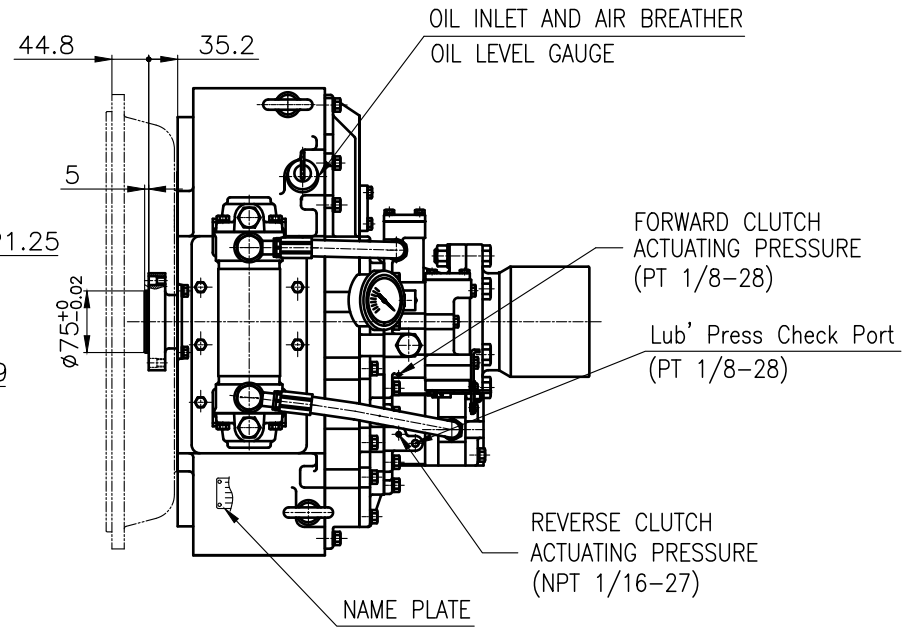
TOLERANCE ON				PART NO.		PART NAME		Q'TY		MATERIAL		SIZE		REMARKS	
분수	소수	각도		번호	품명	수량	재질	규격	비고						
FRACTIONS	DECIMALS	ANGLES		NO.	PART NO.	QTY	MATERIAL	SIZE	REMARKS						
±	±	±													
필수 가 공				MATERIAL		TYPE		DWT100HL		원도 번					
				DATE		SCALE		N/S		ORIGINAL DWG. NO.					
				2018.06.20						MARINE TRANSMISSION					
				APPROVED BY		CHECKED BY		DESIGNED		NAME					
				JK.Kim		TH.Cha		CH.Baek		DWG. NO.					
				1 초과 4 이하		± 0.3 ± 0.1 ± 0.05				10000GHA-E-2115DC					
				4		± 0.5 ± 0.2 ± 0.07				개칭 (REV.)					
				16		± 0.7 ± 0.3 ± 0.1				000					
				63		± 1.2 ± 0.5 ± 0.2									
				250		± 2.0 ± 0.8 ± 0.3									
				250		1000									
D-I INDUSTRIAL										SIZE		A 3		CODE ID. NO.	



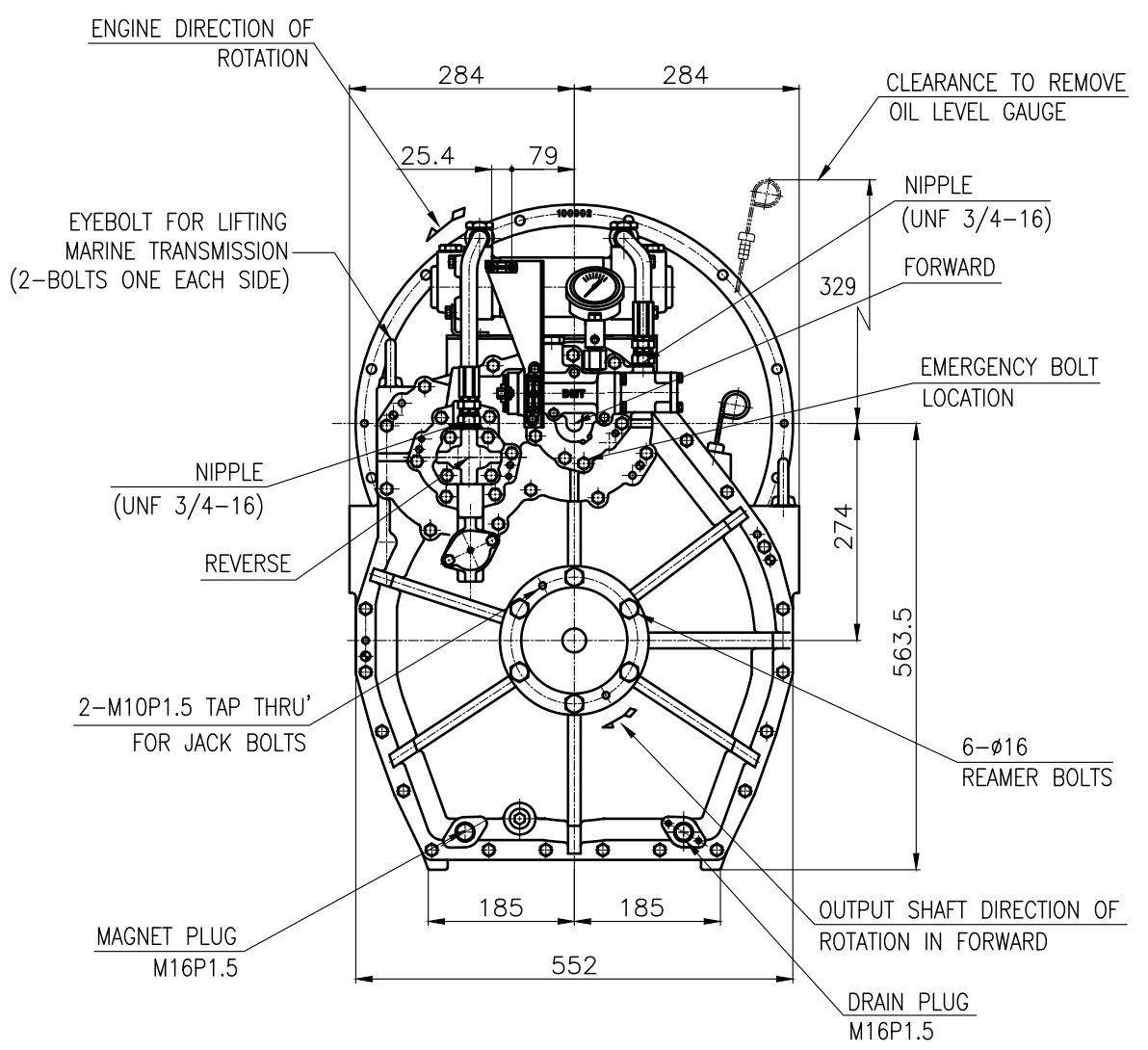
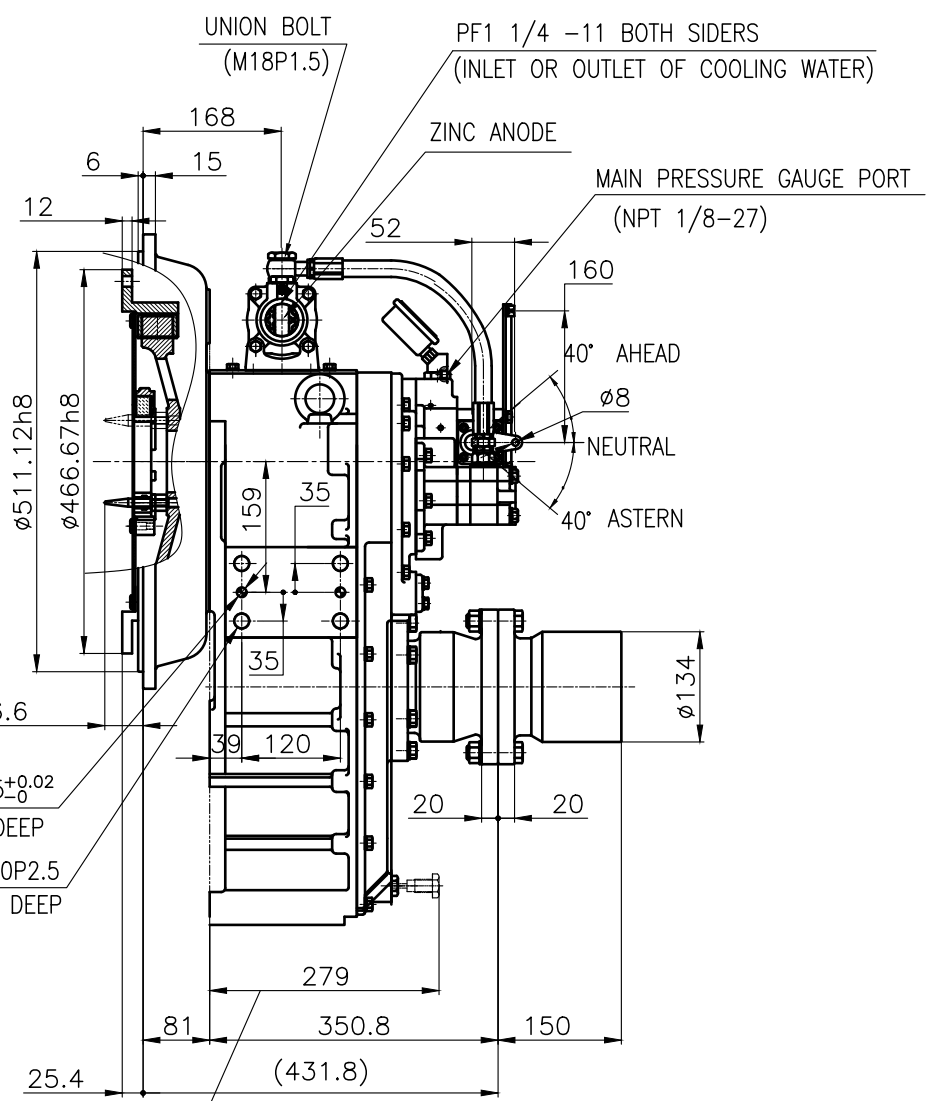
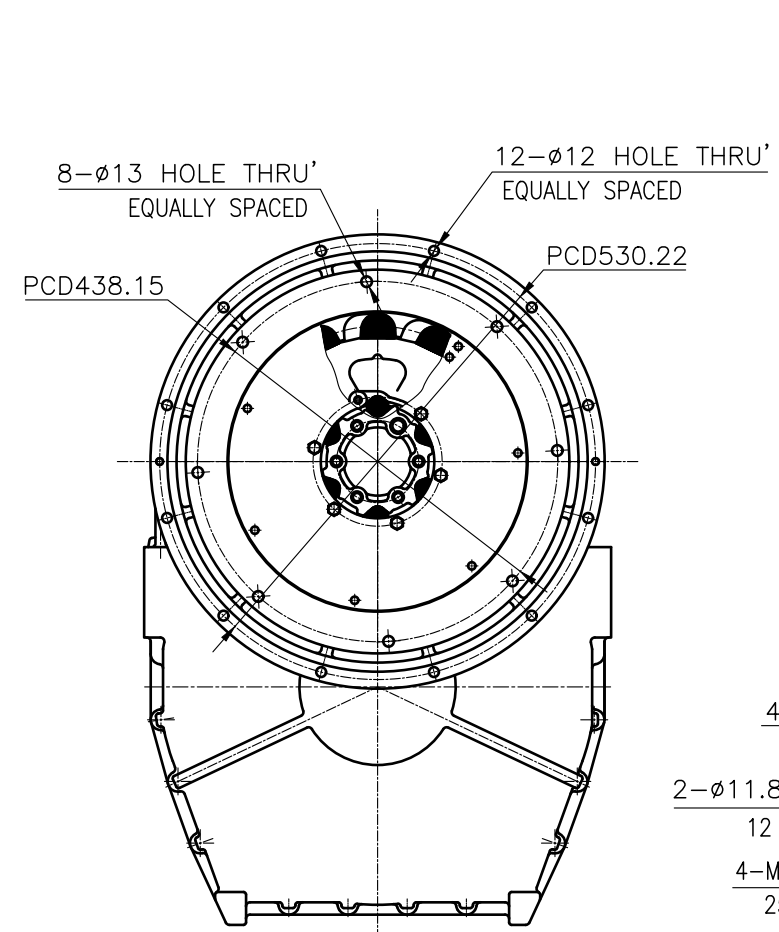
OUTPUT SHAFT COUPLING & PROPELLER COUPLING DIMENSION



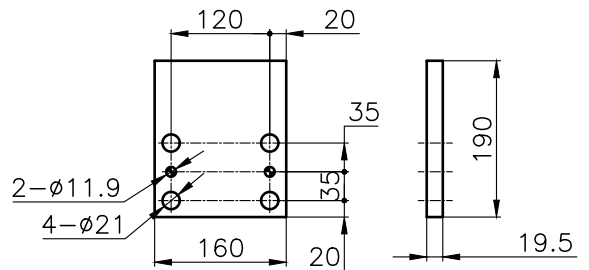
INPUT COUPLING DIMENSION



DMT 100HL MARINE TRANSMISSION SPECIFICATION		
GEAR RATIO	5.29, 5.95, 4.07, 4.50, 4.95	
TOTAL WEIGHT	APPROX. 263 kg(DRY)	
OIL CAPACITY	APPROX. 9.5L	
OIL VISCOSITY	SAE # 30	
OIL PRESSURE	1.96 ~ 2.54 MPa	CLUTCH OIL
DIRECTION OF ROTATION	INPUT	C.C.W VIEWED FROM THE STERN
	OUTPUT	C.W VIEWED FROM THE STERN
OIL CHANGE INTERVAL	THE FIRST 100HOURS OF INITIAL OPERATION AND EVERY 1000HOURS THEREAFTER	
SHIFTING LIMIT	UNDER 50% OF THE RATED ENGINE SPEED	
OIL COOLER	WATER FLOW 40 ~ 60L/min	
	TEMPERATURE OF COOLING WATER	MAX 32°C
OPERATING TORQUE OF SHIFTING LEVER	UNDER 2.94Nm	



- REMARK
- 1.HOUSING: SAE#1
 - 2.DRIVING RING: SAE 14"
 - 3.COUPLING TYPE : DUAL STAGE
 - 4.APPLICATION ENGINE : STANDARD



BRACKET DIMENSION

TOLERANCE ON			번호 NO.	품 PART NO.	품 PART NAME	개수 QTY	재 MATERIAL	규 SIZE	비 REMARKS
분수 FRACTIONS	소수 DECIMALS	각도 ANGLES	제 MATERIAL		형 TYPE	고 ORIGINAL DWG. NO.			
±	±	±	작성 DATE 2018.06.20	검도 SCALE N/S	DMT100HL				
검사 가 공			승 인 APPROVED BY JK.Kim	검 도 CHECKED BY TH.Cha	도 설계 DRAWN CH.Baek	MARINE TRANSMISSION			
구 1	분 16	조 0.3	도 번호 DWG. NO. 10000GHA~E-114DC			개형 (REV.) 000			
분 4	16	± 0.5	D-I INDUSTRIAL			크 기 SIZE A 3			
분 16	63	± 0.7	코-드 번호 CODE ID. NO.						
분 63	250	± 1.2							
분 250	1000	± 2.0							