

**CXO300**

Technical drawing

**25" leg length**

Dimensions - mm (in)

- A 609 (24)
- B 1997 (78.6)
- C 141 (5.6)
- D 1214 (47.8)
- E R1286 (50.7)
- F 918 (36.1)
- G 853 (33.58)

**30" leg length**

Dimensions - mm (in)

- A 732 (29)
- B 2124 (83.6)
- C 268 (10.5)
- D 1314 (52.8)
- E R1413 (55.6)
- F 1045 (41.1)
- G 853 (33.58)

**35" leg length**

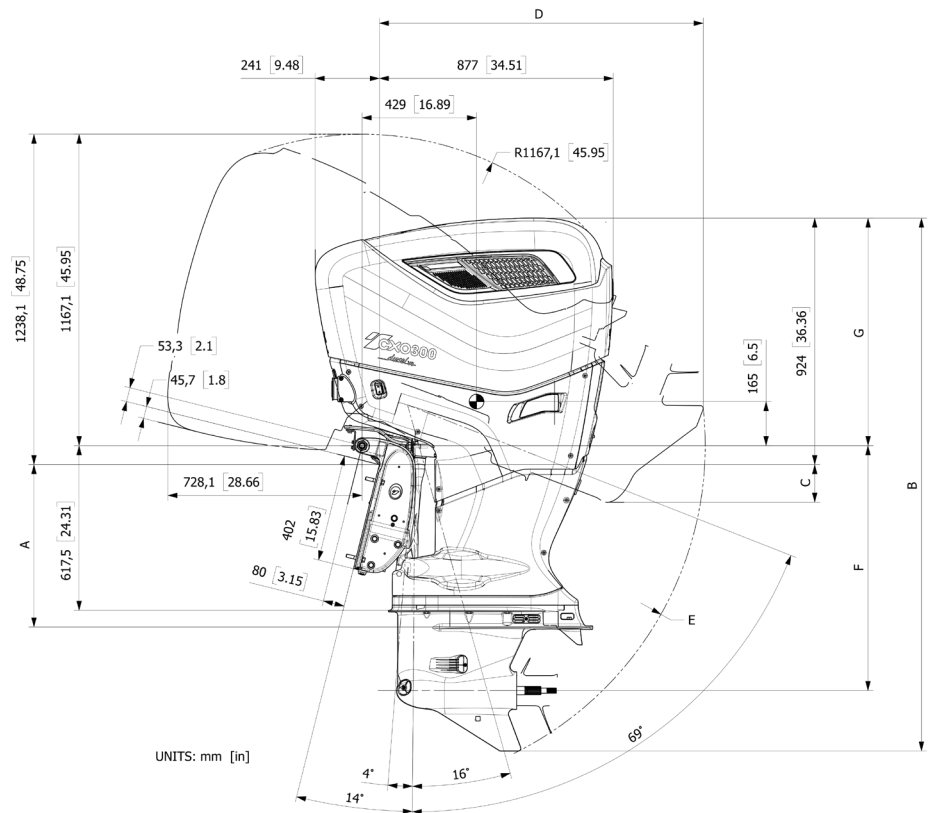
Dimensions - mm (in)

- A 863 (34)
- B 2251 (88.6)
- C 395 (15.6)
- D 1468 (57.8)
- E R1540 (60.7)
- F 1172 (46.1)
- G 853 (33.58)

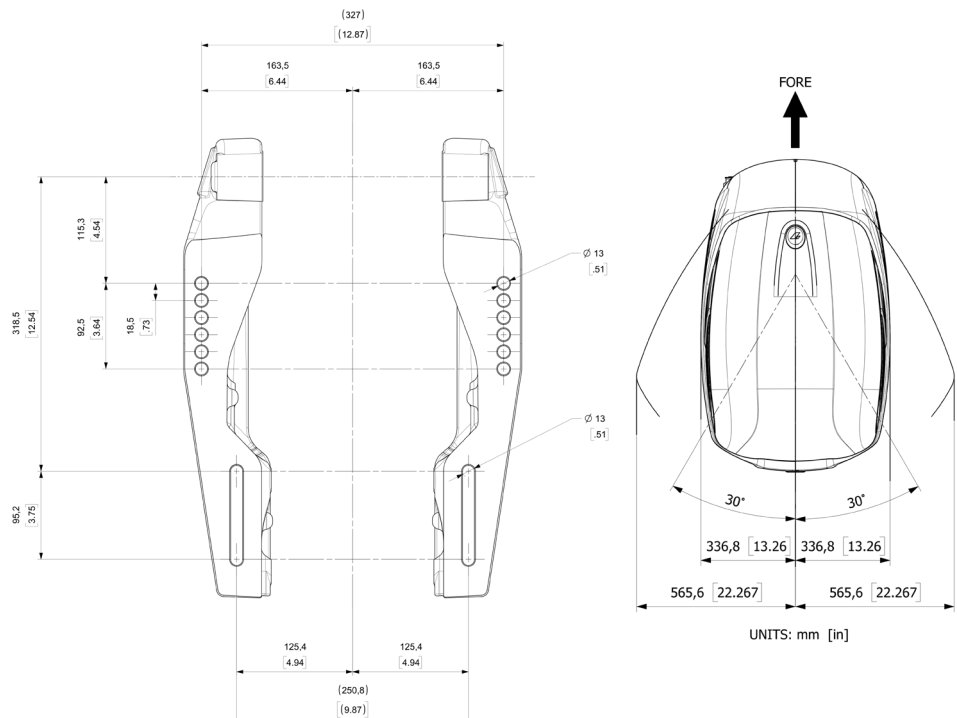
**CXO300**

Transom interface /  
 Plan view

Dimensions - mm (in)



UNITS: mm [in]



UNITS: mm [in]