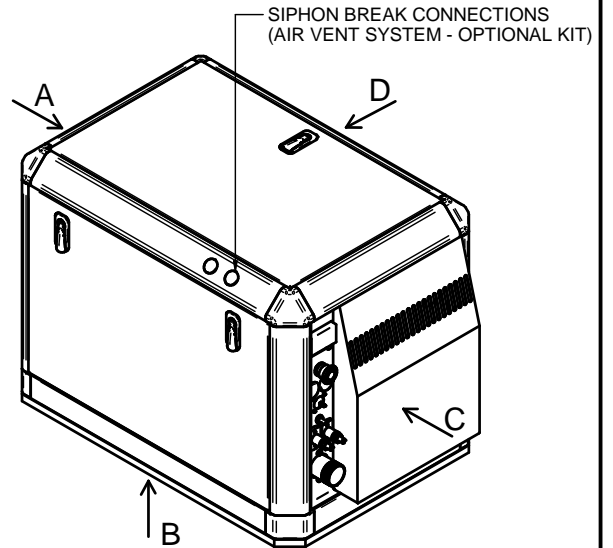


(7 GS / 8 GSA
8 GT / 10 GTA)

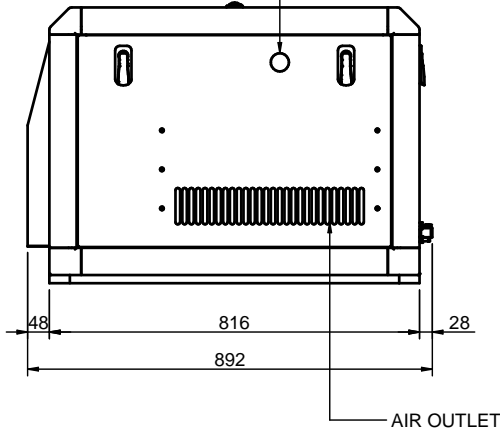
VIEW D



(7 GSC / 8 GSAC
8 GTC / 10 GTAC)

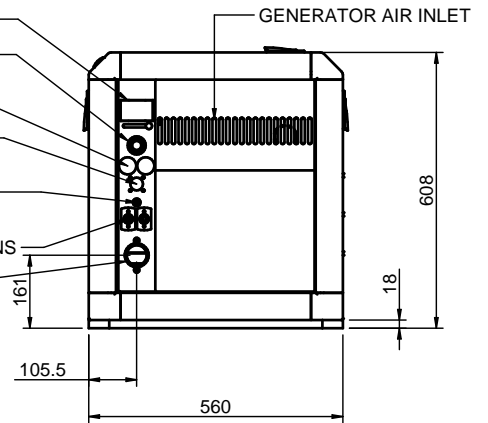
VIEW C

FIRE EXTINGUISHER
ACCESS HOLE

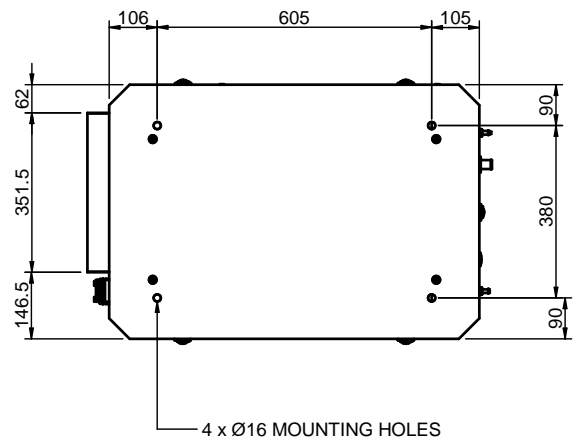
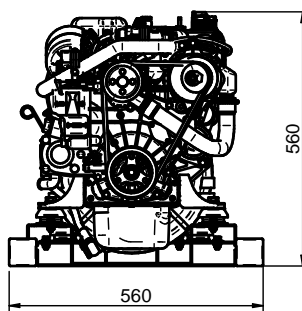
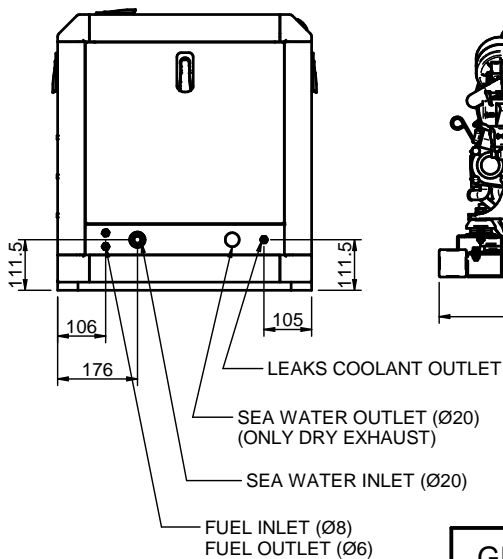


VIEW A

AC BREAKER
EMERGENCY STOP
CUSTOMER LOAD
LEAD ACES
CUSTOMER PANEL
CONNECTION
EQUIPMENT GROUND
CONNECTION
BATTERY CONNECTIONS
WET EXHAUST
OUTLET (Ø50)



VIEW B



GENSET 7 GS-GSC/ 8 GSA-GSAC/ 8 GT-GTC/ 10 GTA-GTAC

GRUPO 7 GS-GSC/ 8 GSA-GSAC/ 8 GT-GTC/ 10 GTA-GTAC

MATERIAL		ACABADO		TRATAMIENTO	PRESENTACION	ESCALA
					Suavizar aristas	
DIBUJADO	MODIFICADO	VERIFICADO	FECHA CREACION	ULTIMA REVISION		
P.IGLESIAS	-	V.MIRAVET	24/01/2025	--		
GRADO PRECISION	SOLE		SOLE, S.A.		FA0633-FA0638-FA0639-	
MEDIO					FA0640-FA0642-FA0643	