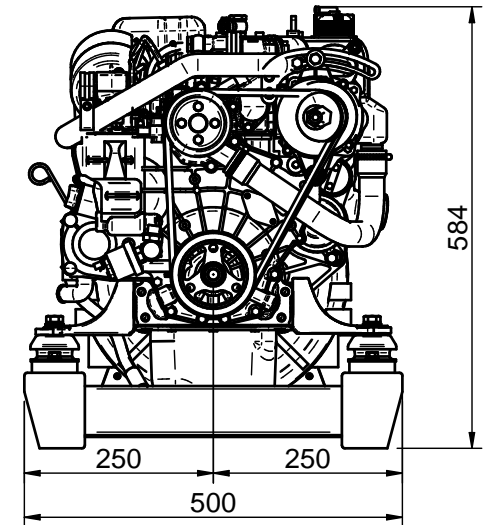
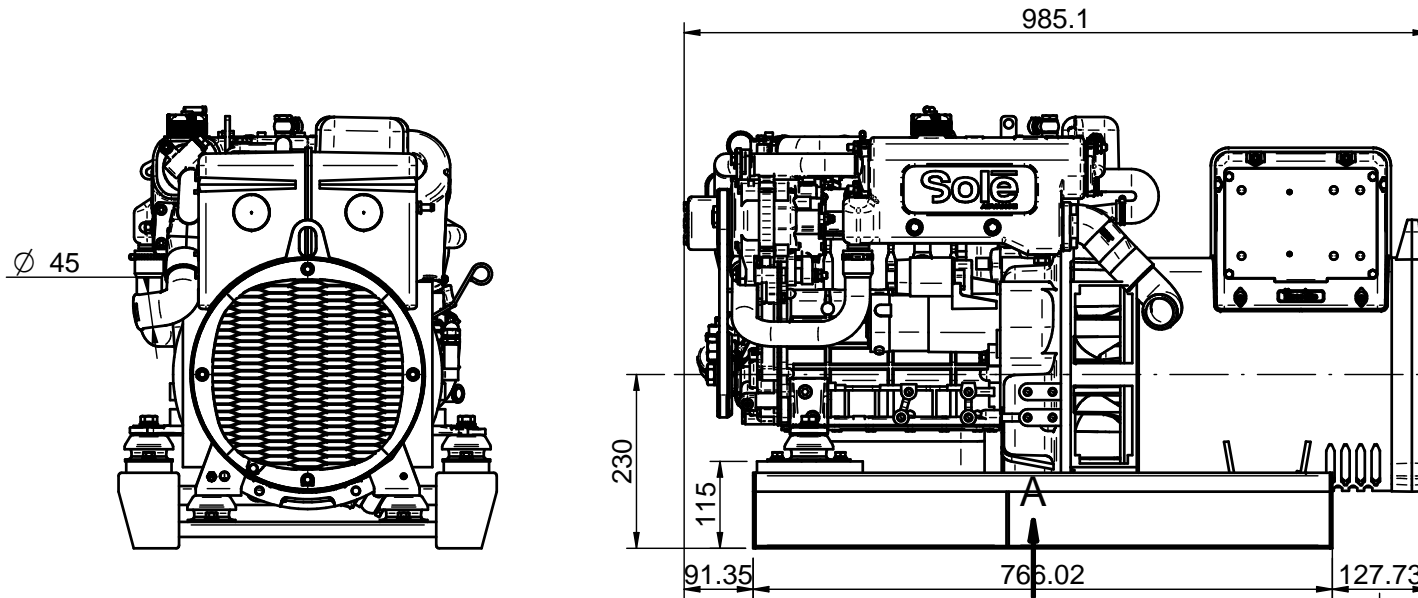
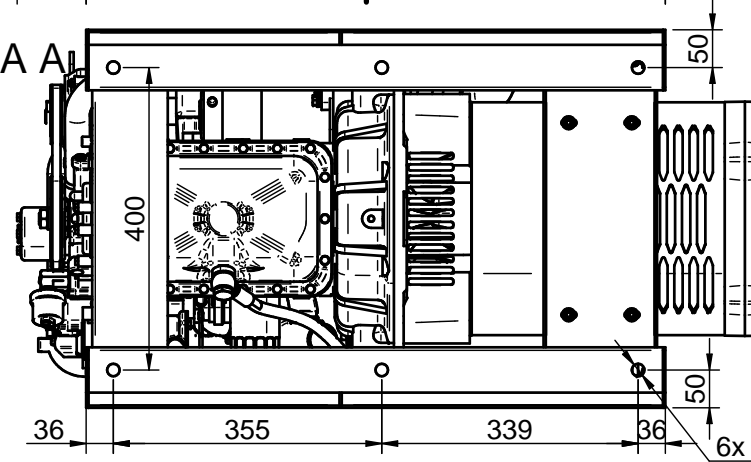


REVISION HISTORY

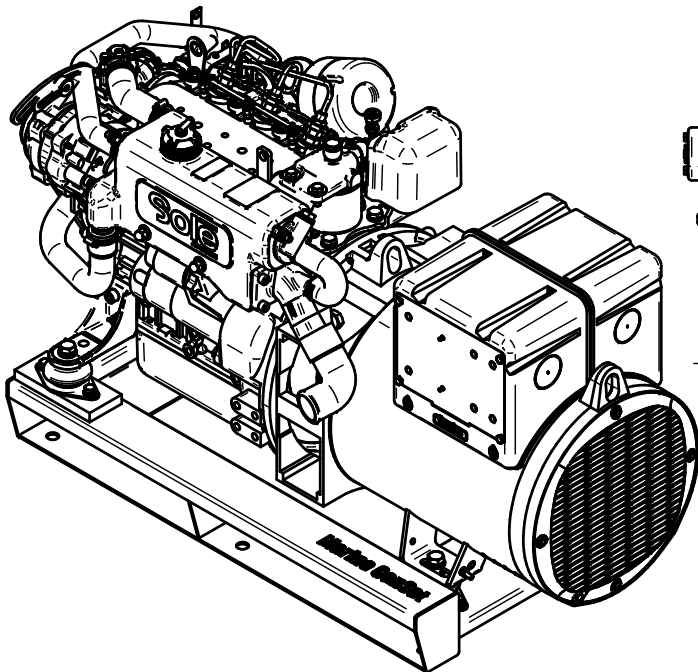
REF.	DATE	DESCRIPTION
(1)		



VISTA A



- Motor / Engine: MINI-26
- Alternador / Alternator: MECCALTE ECP28 1L2 C
- Øint. Manguera escape / Øint. Exhaust hose (mm): Ø45
- Øint. M. agua salada / Øint. Raw Water hose (mm): Ø20
- Øint. Manguera Gas-Oil / Øint. Fuel hose inlet (mm): Ø8
- Øint. Retorno Gas-Oil / Øint. Fuel return (mm): Ø6



Critical Dimensions (XXX)		Limits for Nominal sizes (mm)		GENSET G-15M-3 12V 230V		GRUPO G-15M-3 12V 230V	
from	to	tolerance	tolerance	MATERIAL	FINISH	TREATMENT	Remove All Burrs And Sharp Edges
0	6	±0.05	±0.1	DRAWN	MODIFIED	CHECKED	DRAWN DATE
6	30	±0.1	±0.15	P.IGLESIAS	-	V.MIRAVET	08/08/2024
30	100	±0.15	±0.2			LAST DATE REV.	
100	300	±0.2	±0.3			--	
300	1000	±0.3	±0.5				
1000	3000	±0.5	±0.8				
3000	10000	±0.8	±1.2				
10000	∞	±1.2	±1.5				
Tolerance Class		DIN-7168		Tolerance Class		Medium	
		Fine		Tolerance Class		Medium	
		Medium		Sole		SOLE, S.A.	
		Coarse				FA0634	