

MARINE TRANSMISSION

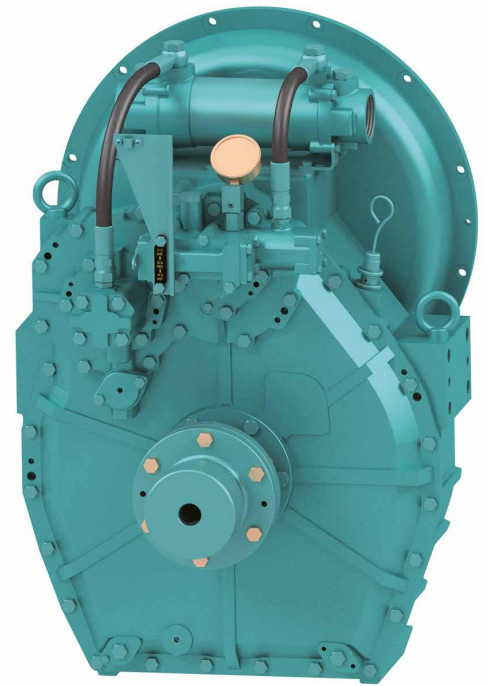
DMT100HL

■ Standard Scope Of Supply

- Bell Housing (SAE 1, 2, 3)
- Dual Stage Coupling(14" 11.5")
- Propeller Coupling, Reamer Bolt
- Manual Control Valve
- Oil Cooler
- Cable Bracket

■ Options

- Manual Trolling Valve
- Electronic Control Valve(12V,24V)
- Manual Trolling Valve + Electronic Control Valve(12V,24V)
- Mounting Bracket (Flat type, L type)

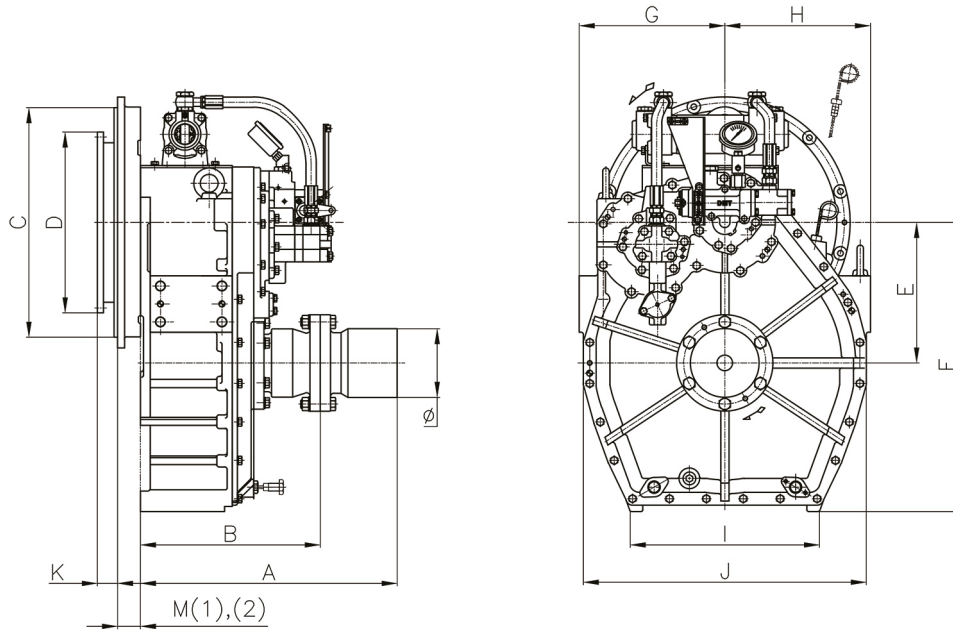


Model	Ratio	Max Input Torque		Capacity/RPM		Capacity/1800RPM		Max Input (RPM)	Bell Housing (SAE)	DRY WEIGHT (kg)
		(kgf.m)	(N.m)	kW	HP	kW	HP			
DMT100HL	4.07, 4.50, 4.95	89	873	0.091	0.122	164	219	3000	1, 2, 3	251
	5.29	86	843	0.088	0.118	158	213	3000		
	5.95	75	735	0.076	0.103	138	185	3000		

※ The dry weight is the weight that excludes bell housing, coupling (rubber block, dual stage, Centa flexible) and propeller coupling from the standard scope of supply.

※ The capacity for classification may differ from the capacity on the table, please contact our sales team.

DMT100HL Dimensions

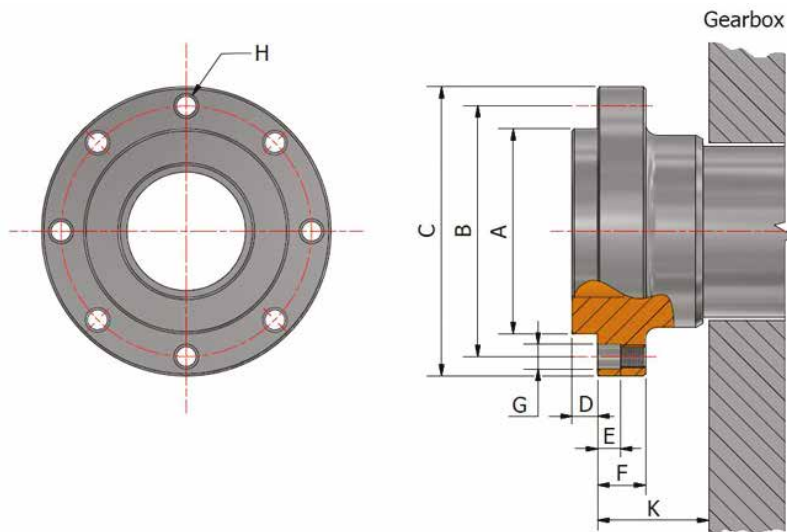


A	B	E	F	G	H	I	J	Ø
501	351	274	563	284	284	370	552	134

mm

Bell Housing Standard	Driving Ring	C	D	M(1)	M(2)	K
SAE#1	14"	511	466	81	-	25
SAE#2	11.5"	447	352	44	-	39
SAE#3	11.5"	409	352	44	-	39

mm



A	B	C	D	E	F	G	H	K	
Ø75	$\begin{matrix} 0 \\ -0.02 \end{matrix}$	Ø100	Ø118	5	10	20	Ø10.9	6-M10 P1.25	35.2

mm