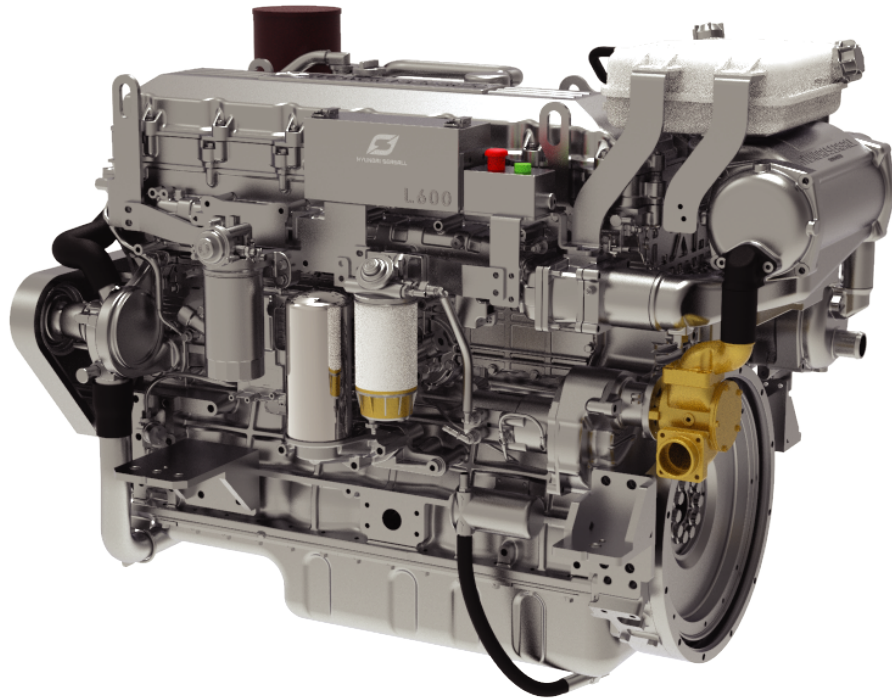


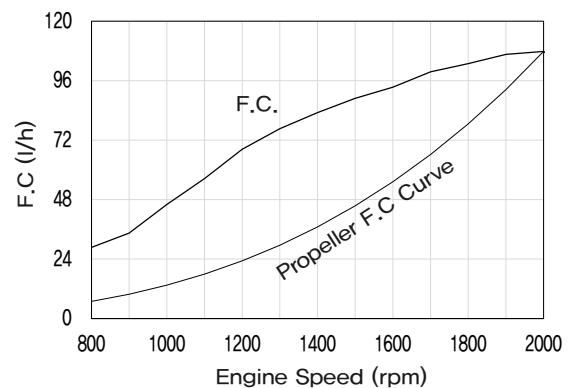
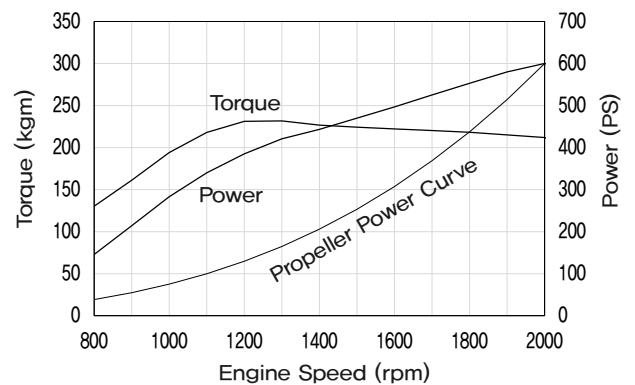
600PS

L600



Specifications

Propulsion System	Shaftdrive & Waterjet
Engine Duty Rating	Medium Duty (S2)
Configuration	4-Stroke, 24-Valve OHC, WGT with Intercooler, Water Cooling
Output [PS (kW)]	600 (441)
Rated RPM	2,000
Cylinders	In-line 6
Displacement [cc]	12,742
Bore X Stroke [mm]	130 X 160
Compression Ratio	16.0 : 1
Max. Torque	232.0 kg · m @ 1,200 rpm
Injection System	Electronic Unit Injector (EUI)
Alternator	24V-90A
Engine Diagnosis	YES
Max Fuel Consump.[l/h]	116.4
Dry Weight [kg]	1,310
Flywheel	SAE 14
Flywheel Housing	SAE 1



L600

Technical Descriptions

Engine

- 6 cylinder in-line, 24-valve OHC
- Cast iron cylinder block and cylinder head
- Gallery oil-cooled long lasting mono steel pistons
- Integrated water jacket
- Single serpentine belt system
- Drive belt auto-tensioner

Engine Mounting

- Adjustable engine mounts (Optional)

Lubrication System

- Gear-driven engine oil pump
- Closed system with forced feeding
- Integrated oil-cooler in cylinder block
- Easily exchangeable oil filter cartridge
- Eco type oil filter
- Electric oil extraction pump

Fuel System

- Electronic Unit Injector (EUI)
- Gear-driven fuel pump
- Electronically controlled injection timing
- Fine fuel filter and water separator
- High pressure six-hole injector nozzles

Electrical System

- 24 volt – 90A alternator
- Auxiliary engine stop button
- Air heating system for a trouble-free cold start
- NMEA2000 Converter (Optional)
- 2 Pole system (Optional)

Cooling System

- Gear-driven seawater pump
- Seawater-cooled intercooler, heat exchanger
- Auxiliary connector for cabin heating
- Corrosion resistant material for seawater circuit
- Easily accessible rear mounted sea-water pump

Exhaust System

- Coolant cooled exhaust manifold
- Cast iron exhaust pipe
- WGT (Waste Gate Turbocharger)

Instrument Box Assembly

- Engine self-protection and diagnosis
- Displays CAN information
- Displays engine diagnostic error codes
- Audible alarm and control lamps
- Idle & PTO rpm adjustable switch

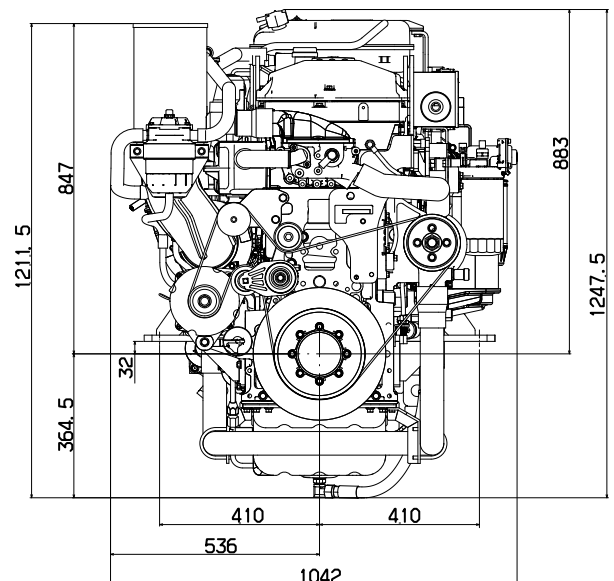
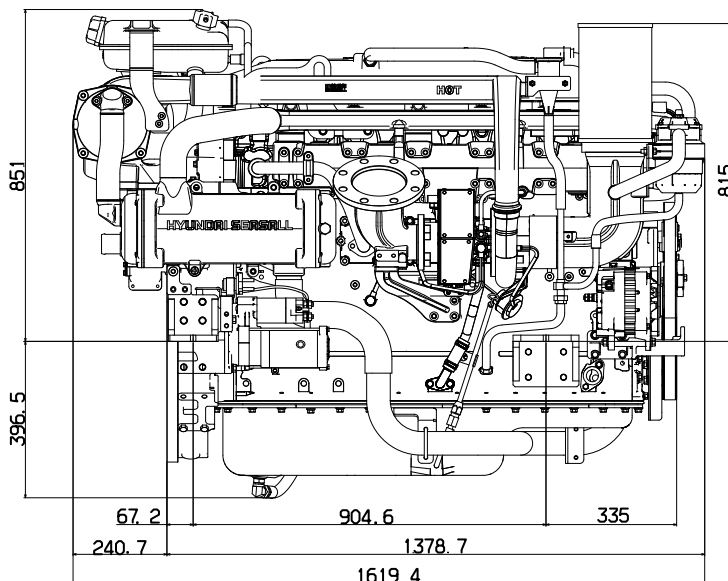
Air Inlet system

- Reusable air filter
- Intake Extension Kit (Optional)

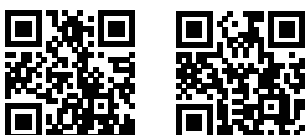
Emissions

- EPA Tier-III
- IMO Tier-II
- RCD II
- RINA
(Type Approval – Yacht / Ship)

Dimensions (mm) L600



(Homepage) (e-Catalogue)



 **HYUNDAI SEASALL**

124 Jeongoksandan-ro, Seosin-myeon, Hwaseong-si, Gyeonggi-do 18554, Korea

Tel : +82-70-8620-8033 / seasall.info@hyundai-seasall.com