

MARINE TRANSMISSION

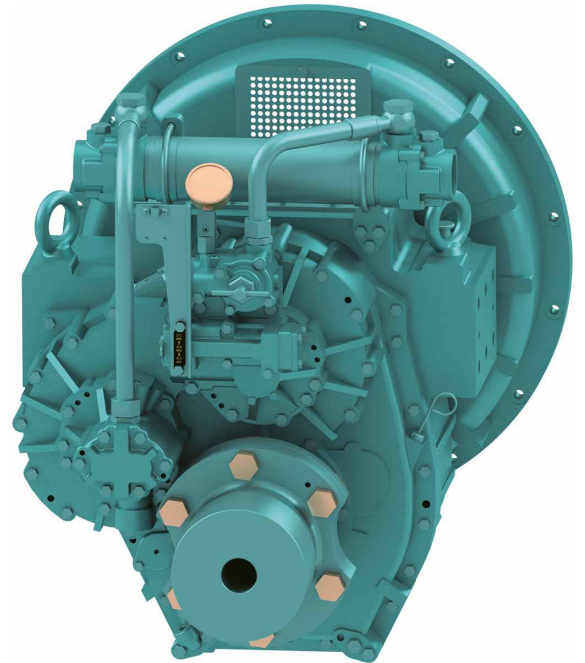
DMT550H

■ Standard Scope Of Supply

- Bell Housing (SAE 0)
- Centa Flexible Coupling (18")
- Propeller Coupling, Reamer Bolt
- Manual Control Valve
- Oil Cooler
- Cable Bracket

■ Options

- Manual Trolling Valve
- Electronic Control Valve(12V,24V)
- Manual Trolling Valve + Electronic Control Valve(12V,24V)
- Mounting Bracket (Flat type, L type)



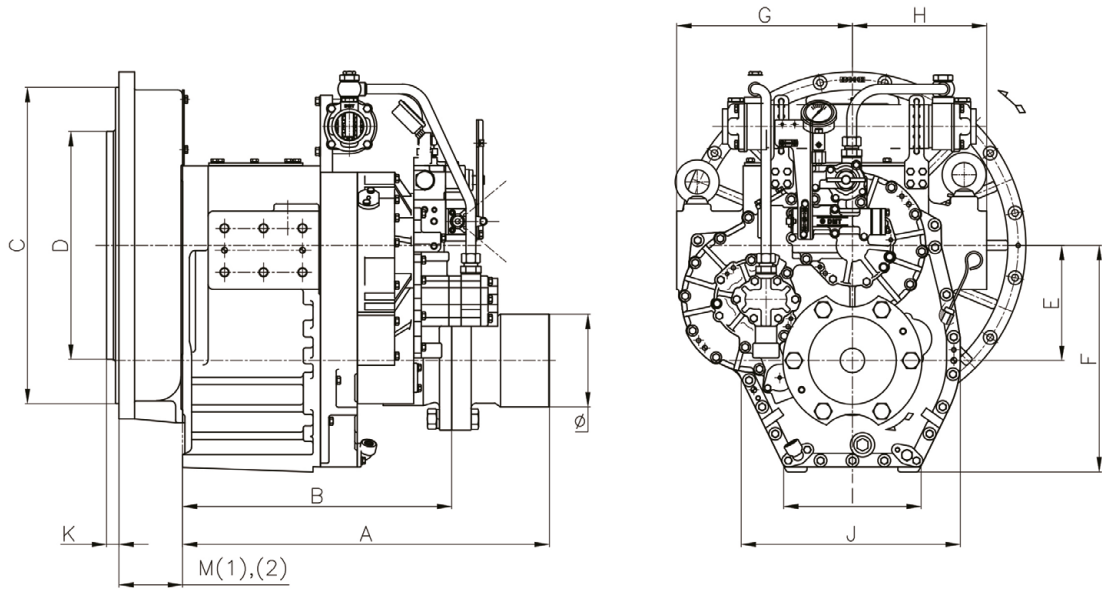
Model	Ratio	Max Input Torque		Capacity/RPM		Capacity/1800RPM		Max Input (RPM)	Bell Housing (SAE)	DRY WEIGHT (kg)
		(kgf.m)	(N.m)	kW	HP	kW	HP			
DMT550H	1.43*, 1.64* 1.81*, 2.03	551	5407	0.565	0.758	1018	1366	2300	0, 1	630
	2.33	537	5269	0.551	0.739	993	1332	2300		
	2.60	485	4757	0.497	0.667	896	1201	2300		
	2.91	404	3963	0.415	0.556	747	1001	2300		

*Special Order Ratio

※ The dry weight is the weight that excludes bell housing, coupling (rubber block, dual stage, Centa flexible) and propeller coupling from the standard scope of supply.

※ The capacity for classification may differ from the capacity on the table, please contact our sales team.

DMT550H Dimensions

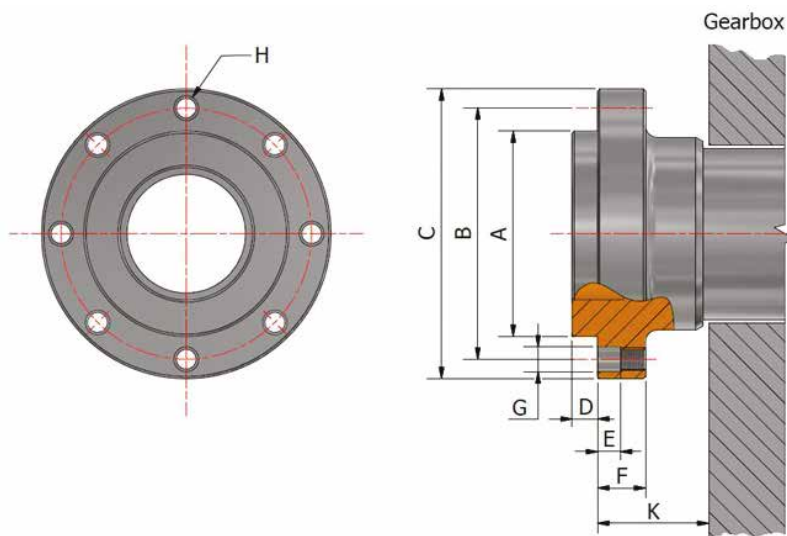


A	B	E	F	G	H	I	J	Ø
771	551	235	464	360	275	282	449	190

mm

Bell Housing Standard	Driving Ring	C	D	M(1)	M(2)	K
SAE #0	18"	647	571	-	160	15

mm



A	B	C	D	E	F	G	H	K
Ø129	$\begin{matrix} 0 \\ -0.02 \end{matrix}$	Ø165	Ø187	15	11	25	8-M14 P1.5	35.7

mm