



MARINE GENERATORS

60 GTA/GTAC TAC ELECTRONIC GOVERNOR

Three-Phase

General data

| | | | |
|-----------------------|---------------------|-----------------|---------|
| Maximum power* | 46.64 kW (58.3 kVA) | Voltage | 480 V |
| Prime Power** | 42.4 kW | Amperage | 70.12 A |
| Frequency | 60 Hz | Phases | 3 |

Dimensions and weights

| | | | |
|------------------------------------|---------|---------------------------------|---------|
| Total length without canopy | 1639 mm | Total length with canopy | 1875 mm |
| Total width without canopy | 719 mm | Total width with canopy | 840 mm |
| Total height without canopy | 797 mm | Total height with canopy | 848 mm |
| Dry weight without canopy | 690 Kg | Dry weight with canopy | 795 Kg |

Engine

| | | | |
|---------------------------------|------------------------|-----------------------------|-------------------------|
| Base engine manufacturer | Mitsubishi | Diameter | 94 mm (3.7 in) |
| Model | SM-105 | Stroke | 120 mm (4.72 in) |
| Type | Diesel, 4 stroke | Compression ratio | 22:1 |
| Engine RPM | 1800 | Injection system | Mechanical and indirect |
| Number of cylinders | 6 | Intake system | Naturally aspirated |
| Total displacement | 4996 cc | SAE Flywheel housing | SAE 3 |
| Oil | SAE 15W40 | Coolant capacity | 21 L (5.55 gal) |
| Oil capacity | 12 L (3.17 gal) | Flywheel | SAE 11 1/2 |
| Power | 49.6 kW (67.46 CV) | Coolant flow rate | 80 l/min (21.13 gal/m) |
| Salt water flow rate | 38 l/min (10.04 gal/m) | Intake air flow rate | 3.3 m3/m |
| Exhaust type | Wet exhaust elbow | V-Belt Protection | Included |

Rating conditions according to ISO 3046 (100 kPa barometric pressure, 30 % relative humidity abd 25 °C (77 ° F))

* Maximum output power: maximum power supplied by the genset at full load

** Prime Power: rated power according to ISO 3046 and ISO 8528-1. 10 % overload capacity one hour in twelve hours.

Fuel system details

1 kW 1,36 CV 1 kW 1,36 HP (metric) 1 kW 1,36 CH

45708 - 2/25

Fuel system details

| | | | |
|-------------------------|---------------------|----------------------------|---------------------|
| Consumption 25% | 4.8 l/h (1.27 gal) | Fuel type | Diesel |
| Consumption 50% | 7.5 l/h (1.98 gal) | Fuel standards | Fueloil diesel ASTM |
| Consumption 75% | 10.7 l/h (2.83 gal) | Injection pump type | In line |
| Consumption 100% | 15.2 l/h (4.02 gal) | Governor type | Mechanical |

Electrical system

| | | | |
|----------------------------|----------|-----------------------------|----------|
| Battery voltage | 24 V | Stop solenoid type | ETR |
| Starter motor | 3 kW | Alternator | 50 A |
| Earth isolated | Included | IP 65 box kit | Optional |
| SCO 11 double panel | Optional | Current transformers | Optional |

Installation details

| | | | |
|---|-----------------|--------------------------------------|------------------|
| Exhaust hose inner diameter | 75 mm (2.95 in) | Maximum fuel lift height | 0.6 m (1.97 ft) |
| Sea water hose inner diameter | 32 mm (1.26 in) | Maximum raw water lift height | 2.5 m (98.43 in) |
| Fuel feeding hose inner diameter | G1/8 | Maximum sea water temperature | 32 ° (89.6 °F) |
| Fuel return hose inner diameter | - | Maximum installation angle*** | 15 ° |
| Minimum battery capacity | 24 V 95 Ah | | |

Alternator details

| | | | |
|------------------------|--------------|--------------------------------------|------------------------|
| Brand | Meccalte | Cos Phi | 0,8 |
| Model | ECP32 1M 4 C | Tropicalized | Yes |
| Regulator type | DSR | Excitation system | Brushless |
| Number of poles | 4 | Voltage regulation accuracy** | 0,01 |
| Isolation type* | H | Alternator type | Synchronous |
| IP protection | 23 | Standards | EN60034-1, IEC 60034-1 |

Standard equipment

| | |
|--|---|
| Earth isolated | V-Belt Protection |
| Double wall injection pipes and fuel leak alarm | Spray stop kit |
| Dual fuel filter | Sensors certified by the rating company |
| CO-40 panel for engine/primer mover | Reinforced bed and silentblocks |
| Electronic regulator | 6 m wiring extension |
| Electronic actuator | Packaging |
| Documentation: manual, test, declaration of conformity | Oil extraction pump |

Optional accessories

| | |
|--|---|
| Siphon break kit mandatory if generator is below waterline | Exhaust System |
| Engine electrical system at 24 V | Keel Cooling conversion for dry and wet exhaust |
| Service/Cruise Kits: fuel and oil filters, raw water pump, impeller, alternator belt,... | Exhaust Hose |
| Dry Exhaust system | Water Filters |

* Other protections available

** With load from 0 to 100%, speed variation from -2% up to +5%, power factor 0,8 linear and balanced load.

*** In all directions

For other requirements please contact the Sales Dept.

CO 40 panel



General Description

| |
|---|
| Control, monitoring and protection for marine engines (signal alternator not included) |
| For Emergency, Auxiliary, Harbor and Propulsion engines |
| Redundant module ID-RPU with hardwired safety functions activated in backup mode |
| Switching between primary and secondary battery (with ID-RPU module) |
| Connection to engine via primary J1939 and backup J1587 buses |
| Event driven History record |
| 14 binary inputs, 14 binary outputs, 8 analog inputs |
| Slave panels for remote control |
| Type approval from major certification societies |
| Configuration protected by password |
| Running hour indication |
| Multilanguage |
| D+ pre-excitation Terminal |

Alarm Management

| |
|---|
| 1 Emergency stop input |
| 5 Shutdown inputs |
| 1 RPM input |
| Common warning and common shutdown output terminals |
| Stop solenoid, fuel solenoid outputs |
| Redundant power supply |
| I/O broken wire detection |

Operating modes

| | |
|--|---|
| Power supply: Nominal power supply 24 VDC | Flash memory data retention time 10 years |
| Power supply range 6 - 36 VDC | Standard Conformity |
| Current consumption (depends on supply voltage) 0,34 A at 8 VDC 0,12 A at 24 VDC 0,09 A at 36 VDC | Low Voltage Directive EN 61010-1:95 +A1:97 |
| Battery voltage measurement tolerance 2% at 24 V | Electromagnetic Compatibility EN 61000-6-2, October 2001 |
| RTC battery life-cycle 10 year | EN 61000-6-4, October 2001 |
| Operating temperature -10 to +70 °C | IEC 60533, Ed. 2; 1999-11 |
| Storage temperature -30 to +80 °C | |
| Humidity 95% Without condensation | |

Power Supply

| |
|--|
| 180 x 120 mm front panel mounted case |
| Weight 800g |
| Graphic black-lit LCD display 128x64 pixel resolution with icons and bar graphs |
| LED status indicators / Lamp test |
| Protection front panel IP65 |

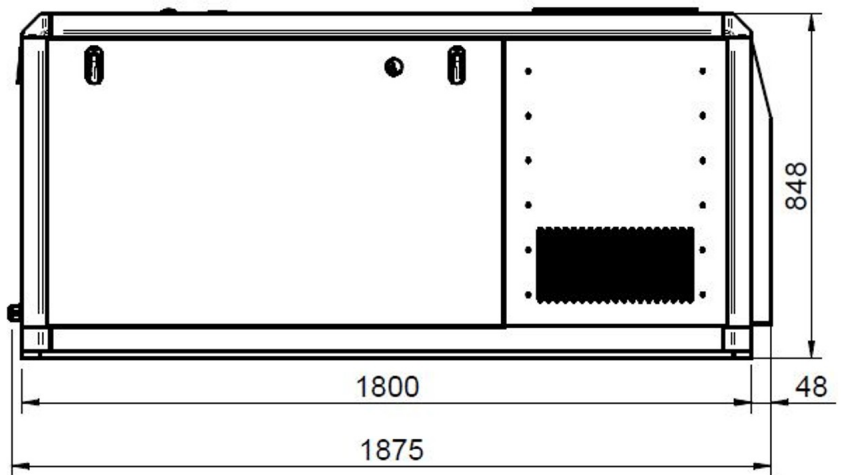
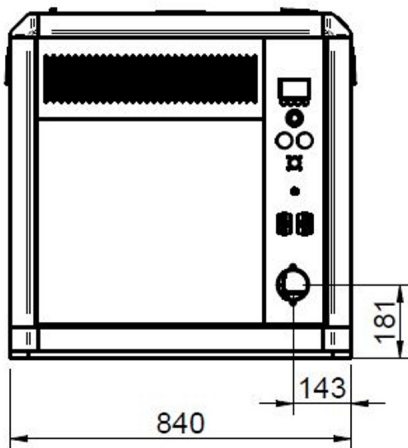
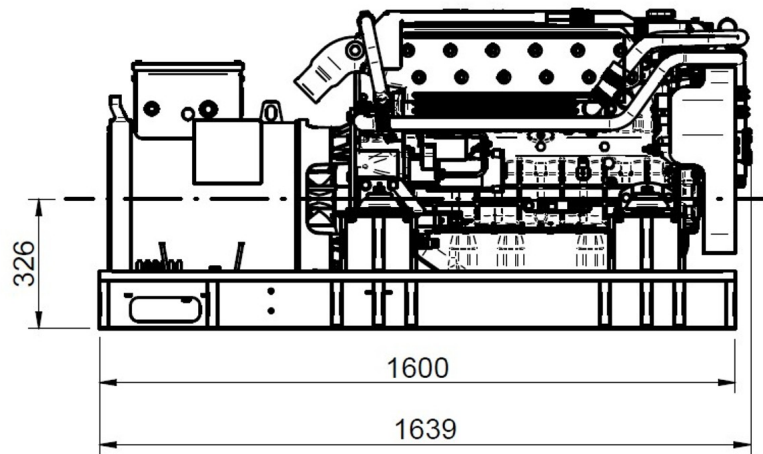
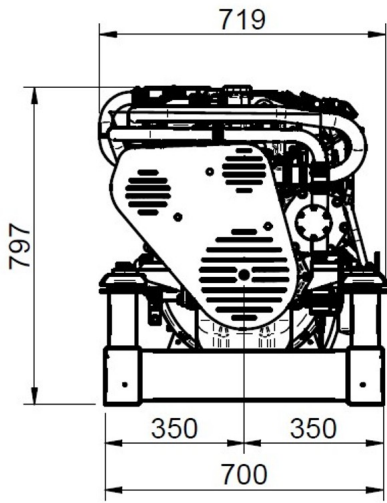
Operating Conditions

| |
|--------------------------|
| Oil Pressure (bar) |
| Oil Temperature (°C) |
| Coolant Temperature (°C) |
| Coolant Pressure (bar) |
| Battery Voltage (V) |
| RPM |
| History log |

Display Information

| |
|--------------------------|
| High coolant temperature |
| High oil temperature |
| Fuel leakages |
| Low oil pressure |
| Low coolant pressure |
| Overspeed |
| Emergency stop |
| Low battery voltage |
| Maintenance request |
| Sensor Fails (FLS) |

Dimensions



Authorized dealer