

## MARINE GENERATORS

# 40 GTA/GTAC ELECTRONIC GOVERNOR

Three-Phase

### General data

<b>Maximum power*</b>	31.2 kW (39 kVA)	<b>Voltage</b>	480/277 V
<b>Prime Power**</b>	28.4 kW	<b>Amperage</b>	46.9 A
<b>Frequency</b>	60 Hz	<b>Phases</b>	3

### Dimensions and weights

<b>Total length without canopy</b>	1308 mm	<b>Total length with canopy</b>	1445 mm
<b>Total width without canopy</b>	630 mm	<b>Total width with canopy</b>	630 mm
<b>Total height without canopy</b>	732 mm	<b>Total height with canopy</b>	788 mm
<b>Dry weight without canopy</b>	494 Kg	<b>Dry weight with canopy</b>	545 Kg

### Engine

<b>Base engine manufacturer</b>	Mitsubishi	<b>Diameter</b>	94 mm (3.7 in)
<b>Model</b>	MINI-74	<b>Stroke</b>	120 mm (4.72 in)
<b>Type</b>	Diesel, 4 stroke	<b>Compression ratio</b>	22:1
<b>Engine RPM</b>	1800	<b>Injection system</b>	Mechanical and indirect
<b>Number of cylinders</b>	4	<b>Intake system</b>	Naturally aspirated
<b>Total displacement</b>	3331 cc	<b>SAE Flywheel housing</b>	SAE 3
<b>Oil</b>	SAE 15W40	<b>Coolant capacity</b>	13 L (3.43 gal)
<b>Oil capacity</b>	10 L (2.64 gal)	<b>Flywheel</b>	SAE 11 1/2
<b>Power</b>	35.7 kW (48.55 CV)	<b>Coolant flow rate</b>	140 l/min (36.98 gal/m)
<b>Salt water flow rate</b>	44 l/min (11.62 gal/m)	<b>Intake air flow rate</b>	2.7 m3/m
<b>Exhaust type</b>	Wet exhaust elbow	<b>V-Belt Protection</b>	Optional

Rating conditions according to ISO 3046 (100 kPa barometric pressure, 30 % relative humidity and 25 °C (77 ° F))

\* Maximum output power: maximum power supplied by the genset at full load

\*\* Prime Power: rated power according to ISO 3046 and ISO 8528-1. 10 % overload capacity one hour in twelve hours.

Fuel system details

1 kW 1,36 CV 1 kW 1,36 HP (metric) 1 kW 1,36 CH

45708 - 2/25

## Fuel system details

<b>Consumption 25%</b>	3.1 l/h (0.82 gal)	<b>Fuel type</b>	Diesel
<b>Consumption 50%</b>	6.8 l/h (1.8 gal)	<b>Fuel standards</b>	Fueloil diesel ASTM
<b>Consumption 75%</b>	6.8 l/h (1.8 gal)	<b>Injection pump type</b>	In line
<b>Consumption 100%</b>	9.6 l/h (2.54 gal)	<b>Governor type</b>	Mechanical

## Electrical system

<b>Battery voltage</b>	12 V	<b>Stop solenoid type</b>	ETR
<b>Starter motor</b>	2.2 kW	<b>Alternator</b>	50 A
<b>Earth isolated</b>	-	<b>IP 65 box kit</b>	Optional
<b>SCO 11 double panel</b>	Optional	<b>Current transformers</b>	Optional

## Installation details

<b>Exhaust hose inner diameter</b>	75 mm (2.95 in)	<b>Maximum fuel lift height</b>	0.6 m (1.97 ft)
<b>Sea water hose inner diameter</b>	32 mm (1.26 in)	<b>Maximum raw water lift height</b>	3 m (118.11 in)
<b>Fuel feeding hose inner diameter</b>	8 mm (0.31 in)	<b>Maximum sea water temperature</b>	32 ° (89.6 °F)
<b>Fuel return hose inner diameter</b>	- (- in)	<b>Maximum installation angle***</b>	15 °
<b>Minimum battery capacity</b>	12 V 95 Ah		

## Alternator details

<b>Brand</b>	Sincro	<b>Cos Phi</b>	0,8
<b>Model</b>	SK160WA	<b>Tropicalized</b>	Yes
<b>Regulator type</b>	BL4	<b>Excitation system</b>	Brushless
<b>Number of poles</b>	4	<b>Voltage regulation accuracy**</b>	1%
<b>Isolation type*</b>	H	<b>Alternator type</b>	Synchronous
<b>IP protection</b>	23	<b>Standards</b>	EN 60034-1, IEC 60034-1, ISO 8528-3

## Standard equipment

Wire earth isolated	SCO11 Control Panel
Silent Blocks	Electronic governor wiring 6 m
Oil extraction pump	User manual
Electronic governor	Packing

## Optional accessories

Siphon break kit mandatory if generator is below waterline	Wet Exhaust System
Engine electrical system at 24 V	Water Filters
Service/Cruise Kits: fuel and oil filters, raw water pump, impeller, alternator belt,...	Sea water cock
Dry Exhaust system	Welcome Kit

\* Other protections available

\*\* With load from 0 to 100%, speed variation from -2% up to +5%, power factor 0,8 linear and balanced load.

\*\*\* In all directions

For other requirements please contact the Sales Dept.

# Kit parallel generators control/power



## General Description

Control and Power box for parallel operation
COMAP Inteligen200 Panel (See Panel Features)
Current Transformers (See Alternator Measurements)
Power Isolating Switch
Automatic Synchronism
Marine Generator Set Protections (See Alarm Management)
Power and Control Electrical Protection
Communication Control Cable Extensions (See Extensions)
Power inputs and outputs
Automatic or manual control switch
Audible and visual alarm
Can BUS communication with the control unit and the parallel box
Emergency Stop button
IP 65 Protection

## Alarm Management

Shut-down (SD)
High engine coolant temperature
Low oil pressure
Over speed
Overload
Short circuit
Battery charge failure
High/low voltage
High/Low Frequency
Emergency stop button
Remote alarms
Warnings (WRN)
High engine coolant temperature
Low oil pressure
High/low battery voltage
Maintenance warning

## Operating modes

Inteligen200 Remote Double Panel
It allows the same operation and functionality as main Inteligen200
They are connected with an RS485 port

## Power Supply

Current transformers
Allows the following readings:
Current (A), Active Power (kW), Apparent Power (kVA) and PF
Earth isolated transformers

## Operating Conditions

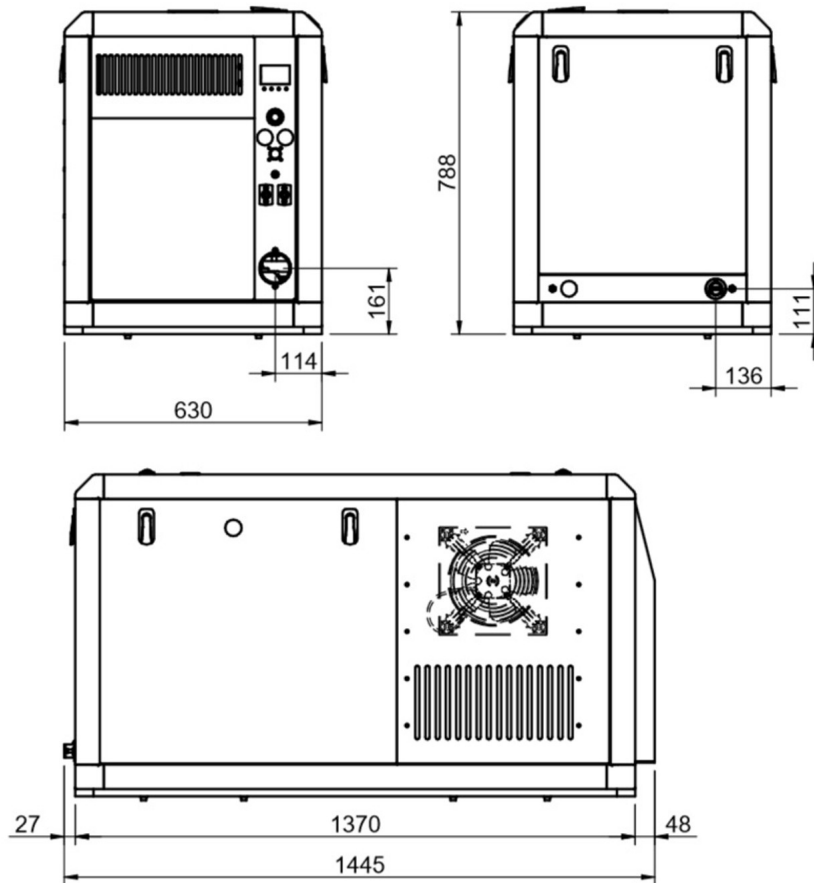
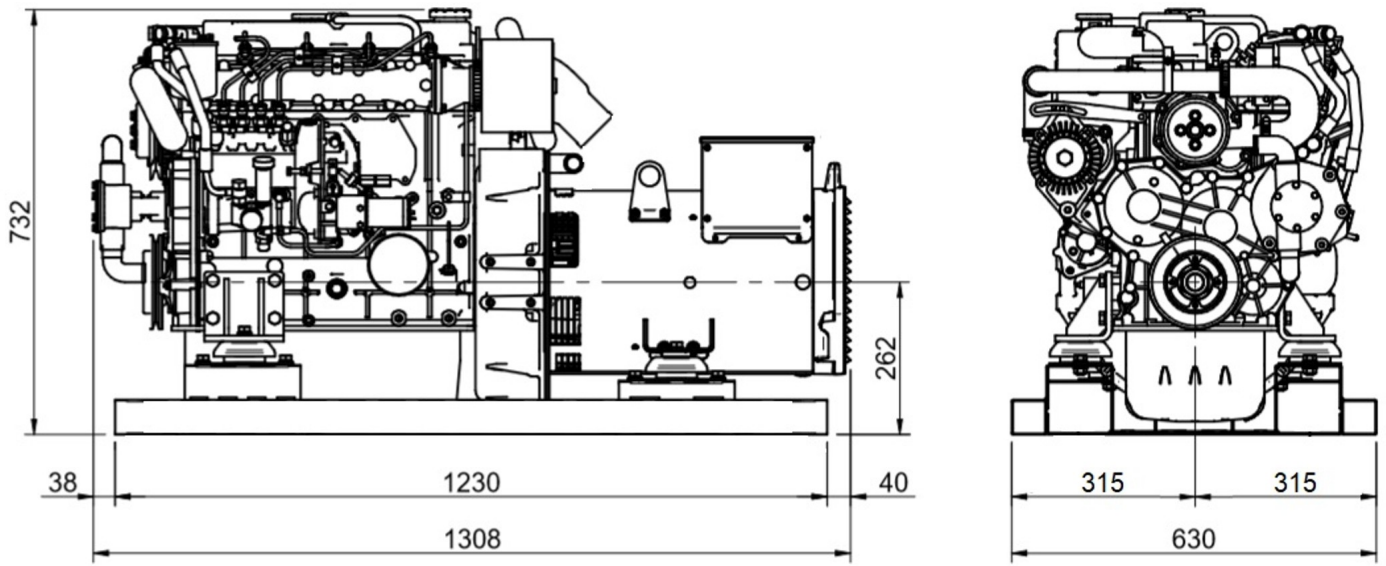
Control wiring. Box-Group (6/12/24 m)
Mitsubishi / Deutz
60974209 / 60994210P - 6 m
60974212 / 60994212P - 12 m
60974213 / 60994213P - 24 m
Wiring for communication between boxes (3/6/12 m)
60994503 - 3 m
60994522 - 6 m
60994521 - 12 m
Remote panel extension (12/24/36 m)
60972104 - 12 m
60972105 - 24 m
60972110 - 36 m

## Display Information

Group and load Synchronization
Marine generator set measures
L1-L3 Voltage (V), frequency (Hz), Oil pressure (bar)
Coolant temperature (°C), battery voltage (V), RPM
Power* (kW), Apparent Power* (kVA), Current* (A), PF*
Remote panel
2 x 10 A Binary outputs
History log
Running hour indicator
Multilanguage
Configuration protected by password
Integrated PLC
Communication and Extension Module Plug-in
4G/LTE communication standard
GPS

Remote panel extension (12/24/36 m)
Binary and Communication Input/Output Extension Module

## Dimensions



Authorized dealer



Detailed drawings, brochures and manuals are available on the web [soleadvance.com](http://soleadvance.com). All rights reserved. Technical specifications, data and presentation are subjected to variations, changes and updates without prior notice. Non-contractual information.

