

MARINE ENGINE

MINI-62

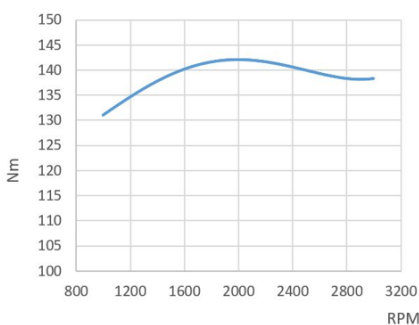
4 cilindros en línea 59.0 CV (43.4 kW) 3000 R. P. M.

Technical specifications

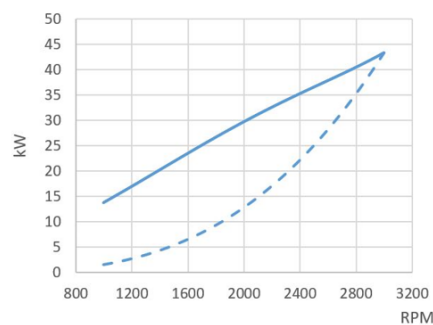
Base engine manufacturer	Mitsubishi
Type	Diesel, 4 stroke
Number of cylinders	4, in line
Intake system	Naturally aspirated
Bore x Stroke	88 mm x 95 mm (3.46 in x 3.74 in)
Total displacement	2311 cc
Compression ratio	22:1
Intermittent power _{SN_ (ISO3046/1)}	59.0 CV (43.4 kW)
Continuous power	53.0 CV (39.1 kW)
Max RPM	3000
Injection system	Mechanical and indirect
Starter motor	12 V (2 kW)
Alternator	95 A (12 V)
Maximum operating angle	15 °
Rotation (viewed from flywheel side)	Counterclockwise
Cooling system	Sea water heat exchanger and coolant closed circuit
Dry weight without gearbox	223 Kg (491.6 lb)
Sea water hose inner diameter	32 mm (1.26 in)
Fuel feeding hose inner diameter	8 mm (0.31 in)
Fuel return hose inner diameter	6 mm (6 in)
Exhaust hose inner diameter	60 mm (2.36 in)
Certifications and emissions	-
Emission compliance	-

Performance curves

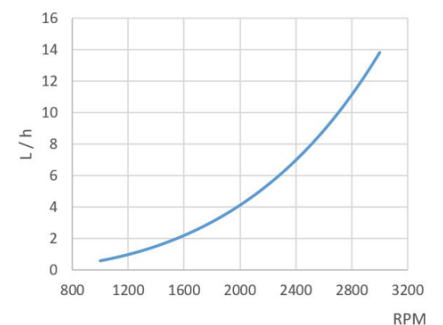
Crankshaft torque



Power (ISO 3046/1)



Fuel consumption



Panel



Dimensions: 180 x 140mm

Panel SSG 20 12V BLANCO Standard

Revolution counter with multifunction display
Coolant temperature and oil pressure indicator
Voltage indicator and battery charge fault
High coolant temperature alarm
Low oil pressure alarm
Preheating indicator
Front IP65 protection and anti-fog glass
5-position key



Dimensions: 255 x 160mm

Panel SSG 30 12V BLANCO Optional

Revolution counter with multifunction display
Coolant temperature and oil pressure gauge
Voltage indicator and battery charge fault
High coolant temperature alarm
Low oil pressure alarm
Preheating indicator
Front IP65 protection and anti-fog glass
5-position key

Accessories

Standard equipment

Instrument panel SSG 20
4 m electrical extension lead
Silentblocks
Oil extraction pump
Owner's manual and spare parts manual

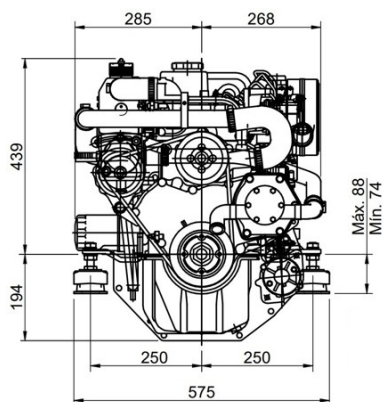
Optional equipment & kits

SSG 30 panel
Twin instrument panel installation
Twin alternator
Earth isolated electrical system
Dry exhaust system
Keel cooling
Power takeoff shaft or pulley
Heater inlet
Drivetrain: propeller, shaft, stern tube
Water and fuel filters
Water, exhaust and diesel fuel hoses

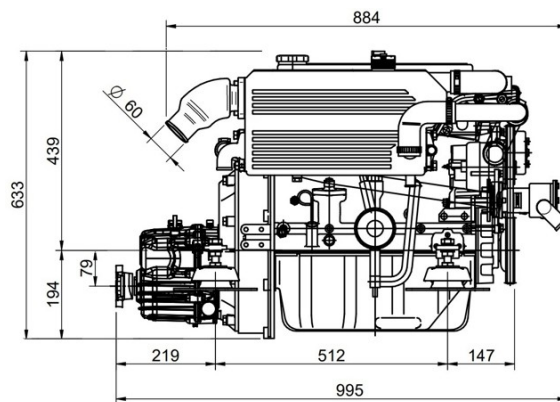
Gearboxes

Model	Type	Output °	Reductions (light Duty)	Reductions (heavy Duty)	Engine weight with gearbox
SP 60	Mechanical	0°	2.15:1	-	269 Kg (595 Lbs)
TM-345	Hydraulic	0°	2.00:1-2.47:1	2.00:1-2.47:1	251 Kg (554 Lbs)
TM-345A	Hydraulic	8°	1.54:1-2.00:1-2.47:1	1.54:1-2.00:1-2.47:1	251 Kg (554 Lbs)
TM-93	Hydraulic	0°	2.09:1-2.40:1-2.77:1	2.09:1-2.40:1-2.77:1	280 Kg (617 Lbs)
TM-93A	Hydraulic	8°	2.09:1-2.40:1	2.09:1-2.40:1	280 Kg (617 Lbs)
TMC-260	Mechanical	0°	2.00:1-2.47:1	2.00:1-2.47:1	244 Kg (539 Lbs)
TMC-60A	Mechanical	7°	-	-	240 Kg (530 Lbs)
TMC-60P	Mechanical	0°	2.00:1	-	240 Kg (530 Lbs)
ZF 15 MIV	Mechanical	15°	2.13:1	-	246 Kg (543 Lbs)

Dimensions



MINI-62 Engine TMC-60P 2.00:1 Gbox.



Authorized dealer



Detailed drawings, brochures and manuals are available on the web soleadance.com. All rights reserved. Technical specifications, data and presentation are subjected to variations, changes and updates without prior notice. Non-contractual information.

