



MARINE GENERATORS

115 GT/GTC ELECTRONIC GOVERNOR

Three-Phase

General data

Maximum power*	90 kW (112.4 kVA)	Voltage	400/230 V
Prime Power**	82 kW	Amperage	162.2 A
Frequency	50 Hz	Phases	3

Dimensions and weights

Total length without canopy	1760 mm	Total length with canopy	2150 mm
Total width without canopy	865 mm	Total width with canopy	865 mm
Total height without canopy	1011 mm	Total height with canopy	1048 mm
Dry weight without canopy	1010 Kg	Dry weight with canopy	1117 Kg

Engine

Base engine manufacturer	Deutz	Diameter	108 mm (4.25 in)
Model	SDZ-165E	Stroke	130 mm (5.12 in)
Type	Diesel, 4 stroke	Compression ratio	19:1
Engine RPM	1500	Injection system	Mechanical and direct
Number of cylinders	4	Intake system	Turbocharged intercooler
Total displacement	4764 cc	SAE Flywheel housing	SAE 2
Oil	SAE 15W40	Coolant capacity	17.5 L (4.62 gal)
Oil capacity	11 L (2.91 gal)	Flywheel	SAE 11 1/2
Power	102 kW (138.72 CV)	Coolant flow rate	141.45 l/min (37.37 gal/m)
Salt water flow rate	107.43 l/min (28.38 gal/m)	Intake air flow rate	6.1 m3/m
Exhaust type	Wet exhaust elbow	V-Belt Protection	Optional

Rating conditions according to ISO 3046 (100 kPa barometric pressure, 30 % relative humidity abd 25 °C (77 ° F))

* Maximum output power: maximum power supplied by the genset at full load

** Prime Power: rated power according to ISO 3046 and ISO 8528-1. 10 % overload capacity one hour in twelve hours.

Fuel system details

1 kW 1,36 CV 1 kW 1,36 HP (metric) 1 kW 1,36 CH

45708 - 2/25

Fuel system details

Consumption 25%	6.3 l/h (1.66 gal)	Fuel type	Diesel
Consumption 50%	11.1 l/h (2.93 gal)	Fuel standards	Fueloil diesel ASTM
Consumption 75%	16.2 l/h (4.28 gal)	Injection pump type	Individual
Consumption 100%	21.5 l/h (5.68 gal)	Governor type	Electronical

Electrical system

Battery voltage	24 V	Stop solenoid type	ETS
Starter motor	4 kW	Alternator	35 A
Earth isolated	Included	IP 65 box kit	Optional
SCO 11 double panel	Optional	Current transformers	Optional

Installation details

Exhaust hose inner diameter	90 mm (3.54 in)	Maximum fuel lift height	1.3 m (4.27 ft)
Sea water hose inner diameter	42 mm (1.65 in)	Maximum raw water lift height	4 m (157.48 in)
Fuel feeding hose inner diameter	12 mm (0.47 in)	Maximum sea water temperature	32 ° (89.6 °F)
Fuel return hose inner diameter	12 mm (0.47 in)	Maximum installation angle***	10 °
Minimum battery capacity	24 V 143 Ah		

Alternator details

Brand	Meccalte	Cos Phi	0,8
Model	ECP34 1M 4 C	Tropicalized	Yes
Regulator type	DSR	Excitation system	Brushless
Number of poles	4	Voltage regulation accuracy**	0,01
Isolation type*	H	Alternator type	Synchronous
IP protection	23	Standards	EN60034-1, IEC 60034-1

Standard equipment

Wire earth isolated	SCO11 Control Panel
Silent Blocks	Electronic governor wiring 6 m
Oil extraction pump	User manual
Electronic governor	Packing

Optional accessories

Siphon break kit mandatory if generator is below waterline	Water Filters
Service/Cruise Kits: fuel and oil filters, raw water pump, impeller, alternator belt,...	Sea water cock
Dry Exhaust system	Welcome Kit
Wet Exhaust System	Kit Power Take-off

* Other protections available

** With load from 0 to 100%, speed variation from -2% up to +5%, power factor 0,8 linear and balanced load.

*** In all directions

For other requirements please contact the Sales Dept.

Kit parallel generators control/power



General Description

Control and Power box for parallel operation
COMAP Inteligen200 Panel (See Panel Features)
Current Transformers (See Alternator Measurements)
Power Isolating Switch
Automatic Synchronism
Marine Generator Set Protections (See Alarm Management)
Power and Control Electrical Protection
Communication Control Cable Extensions (See Extensions)
Power inputs and outputs
Automatic or manual control switch
Audible and visual alarm
Can BUS communication with the control unit and the parallel box
Emergency Stop button
IP 65 Protection

Alarm Management

Shut-down (SD)
High engine coolant temperature
Low oil pressure
Over speed
Overload
Short circuit
Battery charge failure
High/low voltage
High/Low Frequency
Emergency stop button
Remote alarms
Warnings (WRN)
High engine coolant temperature
Low oil pressure
High/low battery voltage
Maintenance warning

Operating modes

Inteligen200 Remote Double Panel
It allows the same operation and functionality as main Inteligen200
They are connected with an RS485 port

Power Supply

Current transformers
Allows the following readings:
Current (A), Active Power (kW), Apparent Power (kVA) and PF
Earth isolated transformers

Operating Conditions

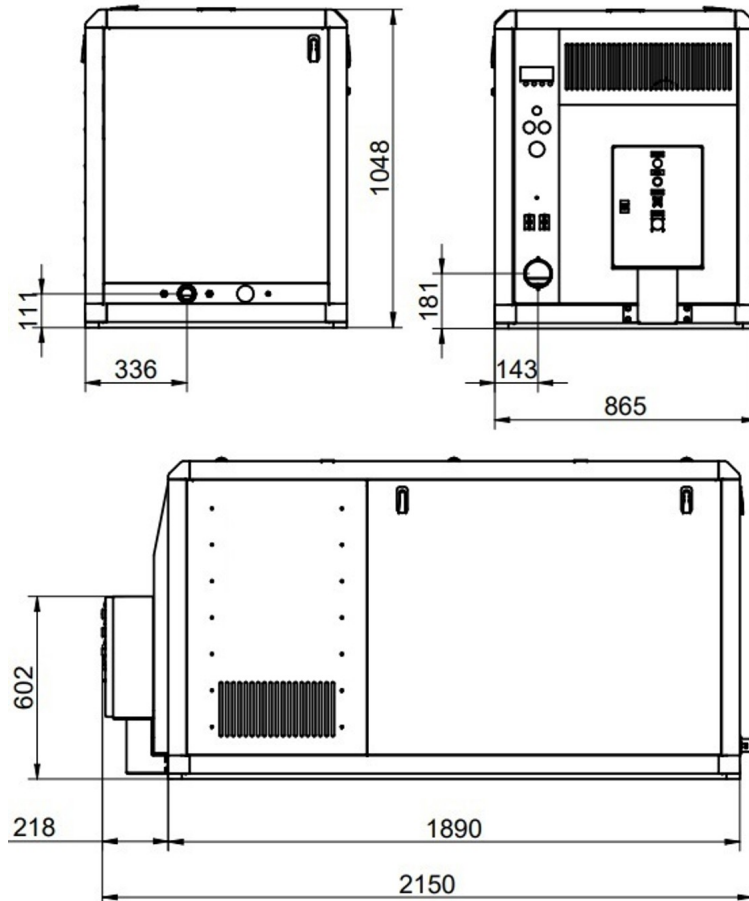
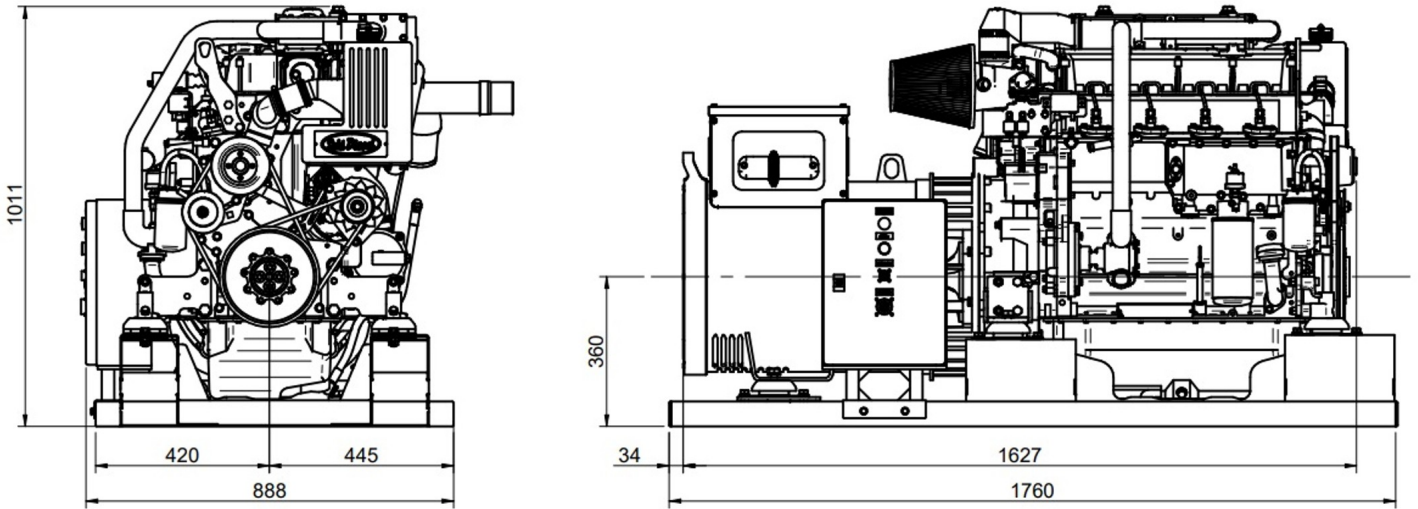
Control wiring. Box-Group (6/12/24 m)
Mitsubishi / Deutz
60974209 / 60994210P - 6 m
60974212 / 60994212P - 12 m
60974213 / 60994213P - 24 m
Wiring for communication between boxes (3/6/12 m)
60994503 - 3 m
60994522 - 6 m
60994521 - 12 m
Remote panel extension (12/24/36 m)
60972104 - 12 m
60972105 - 24 m
60972110 - 36 m

Display Information

Group and load Synchronization
Marine generator set measures
L1-L3 Voltage (V), frequency (Hz), Oil pressure (bar)
Coolant temperature (°C), battery voltage (V), RPM
Power* (kW), Apparent Power* (kVA), Current* (A), PF*
Remote panel
2 x 10 A Binary outputs
History log
Running hour indicator
Multilanguage
Configuration protected by password
Integrated PLC
Communication and Extension Module Plug-in
4G/LTE communication standard
GPS

Remote panel extension (12/24/36 m)
Binary and Communication Input/Output Extension Module

Dimensions



Authorized dealer



Detailed drawings, brochures and manuals are available on the web soleadvantage.com. All rights reserved. Technical specifications, data and presentation are subjected to variations, changes and updates without prior notice. Non-contractual information.

