

# MARINE GENERATORS

## 17 GT/GTC

Three-Phase



### General data

<b>Maximum power*:</b>	13,1 kW (16,4 kVA)	<b>Voltage:</b>	400/230 V
<b>Prime Power**:</b>	11,9 kW	<b>Amperage:</b>	23,7 A
<b>Frequency:</b>	50 Hz	<b>Phases:</b>	3

### Dimensions and weights

<b>Total length without canopy:</b>	1036 mm	<b>Total length with canopy:</b>	1181 mm
<b>Total width without canopy:</b>	580 mm	<b>Total width with canopy:</b>	580 mm
<b>Total height without canopy:</b>	612 mm	<b>Total height with canopy:</b>	668 mm
<b>Dry weight without canopy:</b>	282 Kg	<b>Dry weight with canopy:</b>	344 Kg

### Engine

<b>Base engine manufacturer:</b>	Mitsubishi	<b>Diameter:</b>	78 mm (3,07 in)
<b>Model Solé Diesel:</b>	MINI-44	<b>Stroke:</b>	92 mm (3,62 in)
<b>Type:</b>	4 No. of Strokes	<b>Compression ratio:</b>	22:1
<b>Engine RPM:</b>	1500	<b>Injection system:</b>	Mechanical and indirect
<b>Number of cylinders:</b>	4	<b>Intake system:</b>	Naturally aspirated
<b>Total displacement:</b>	1758 cc	<b>SAE Flywheel housing:</b>	SAE 5
<b>Oil type:</b>	SAE 15W40	<b>Coolant capacity:</b>	8 L (2,11 gal)
<b>Oil capacity:</b>	6 L (1,59 gal)	<b>Flywheel:</b>	SAE 7 1/2
<b>Power:</b>	15 kW (20,4 CV)	<b>Coolant flow rate:</b>	55 l/min (14,53 gal/m)
<b>Salt water flow rate:</b>	16,5 l/min (4,36 gal/m)	<b>Intake air flow rate:</b>	1,2 m3/m
<b>Exhaust type:</b>	Wet exhaust elbow	<b>Belt protection:</b>	Optional

Rating conditions according to ISO 3046 (100 kPa barometric pressure, 30 % relative humidity and 25 °C (77 ° F))

\* Maximum output power: maximum power supplied by the genset at full load

\*\* Prime Power: rated power according to ISO 3046 and ISO 8528-1. 10 % overload capacity one hour in twelve hours.

1 kW  $\cong$  1,36 CV 1 kW  $\cong$  1,36 HP (metric) 1 kW  $\cong$  1,36 CH

## Fuel system details

<b>Consumption 25%:</b>	1,8 L/H (0,48 Gal/H)	<b>Fuel type:</b>	Diesel
<b>Consumption 50%:</b>	2,7 L/H (0,71 Gal/H)	<b>Fuel standards:</b>	Fueloil diesel ASTM
<b>Consumption 75%:</b>	3,5 L/H (0,92 Gal/H)	<b>Injection pump type:</b>	In line
<b>Consumption 100%:</b>	4,3 L/H (1,14 Gal/H)	<b>Governor type:</b>	Mechanical

## Electrical system

<b>Battery voltage:</b>	12 V	<b>Stop solenoid type:</b>	ETR
<b>Starter motor:</b>	2 kW	<b>Alternator:</b>	50 A
<b>Earth isolated:</b>	Optional	<b>IP 65 box kit:</b>	Optional
<b>#N/D</b>	Optional	<b>Current transformers:</b>	Optional

## Installation details

<b>Exhaust hose inner diameter:</b>	50 mm (1,97 in)	<b>Maximum fuel lift height:</b>	0,3 m (0,98 ft)
<b>Sea water hose inner diameter:</b>	20 mm (0,79 in)	<b>Maximum raw water lift height:</b>	1,5 m (59,06 in)
<b>Fuel feeding hose inner diameter:</b>	8 mm (0,31 in)	<b>Maximum sea water temperature:</b>	32 °C (89,6 °F)
<b>Fuel return hose inner diameter:</b>	6 mm (0,24 in)	<b>Maximum installation angle***:</b>	25 °
<b>Minimum battery capacity:</b>	12 V 80 Ah		

## Alternator details

<b>Brand:</b>	Sincro	<b>Cos φ:</b>	0,8
<b>Model:</b>	SK160MA	<b>Tropicalized:</b>	Yes
<b>Regulator type:</b>	BL4	<b>Excitation system:</b>	BRUSHLESS
<b>Number of poles:</b>	4	<b>Voltage regulation accuracy**:</b>	1%
<b>Isolation type*:</b>	H	<b>Standards:</b>	EN 60034-1, IEC 60034-1, ISO 8528-3
<b>IP protection*:</b>	23	<b>Alternator type:</b>	Synchronous

## Standard equipment

4 m electrical wiring extension	SCO 5 control panel
Oil extraction pump	Owner's and alternator manual
Rigid bed	Packaging
Silentblocks	

## Optional accessories

Siphon break kit mandatory if generator is below waterline	Keel Cooling conversion for dry and wet exhaust
Engine electrical system at 24 V	Double walled pipes and alarm kit
Service/Cruise Kits: fuel and oil filters, raw water pump, impeller, alternator belt,...	Low coolant level shut down switch
Dry Exhaust system	Fuel filter/water separator
Wet Exhaust System	Gas/Water Separator
Water Filters	Fuel Hose
Sea water cock	Exhaust Hose
Welcome Kit	Raw water hose

\* Other protections available

\*\* With load from 0 to 100%, speed variation from -2% up to +5%, power factor 0,8 linear and balanced load.

\*\*\* In all directions

For other requirements please contact the Sales Dept.



# SCO 5 Panel



## General Description

- Graphic LCD with light Display, 128 x 64 pixels
- 3 LED indicators
- Marine genset measures (see display information)
- Marine genset protections (see alarm management)
- Running hour indicator
- Type B USB for programming
- Programming from the same panel
- Universal Interface
- Preheating function
- D+ preexcitation terminal
- CAN bus output with SAEJ1939 protocol
- 2 multipurpose timers
- Dimensions 118x 108 x 43 mm
- Weight 246 g

## Alarm Management

### Shutdown (SD)

- High coolant temperature
- Low oil pressure
- Overspeed
- Overload\*
- Short circuit\*
- Overcurrent\*
- Over/Under voltage
- Over/Under frequency
- Emergency stop

### Warnings (WRN)

- Over/Under battery voltage
- Maintenance request

### Sensor Fails (FLS)

## Power Supply

- Voltage supply 12/24 DC with fuse protection
- Consumption 60/35 mA

## Operating Conditions

- Operating temperature -20+70 °C
- Humidity 95 % Without condensation
- Front Panel Protection IP65

## Standard Conformity

- Low Voltage Directive EN 61010-1:95+A1:97
- Electromagnetic EN 50081-1:94, EN 50081-2:96
- Compatibility EN 50082-1:99, EN 50082-2:97

## Display Information

### Measurement

- L1-L3 Voltage (V), Frequency (Hz), Oil Pressure, (bar)
- Coolant Temperature (°C), Battery, Voltage (V), RPM
- Active Power\* (kW), Apparent, Power\* (kVA), Current\* (A), PF\*

### History log

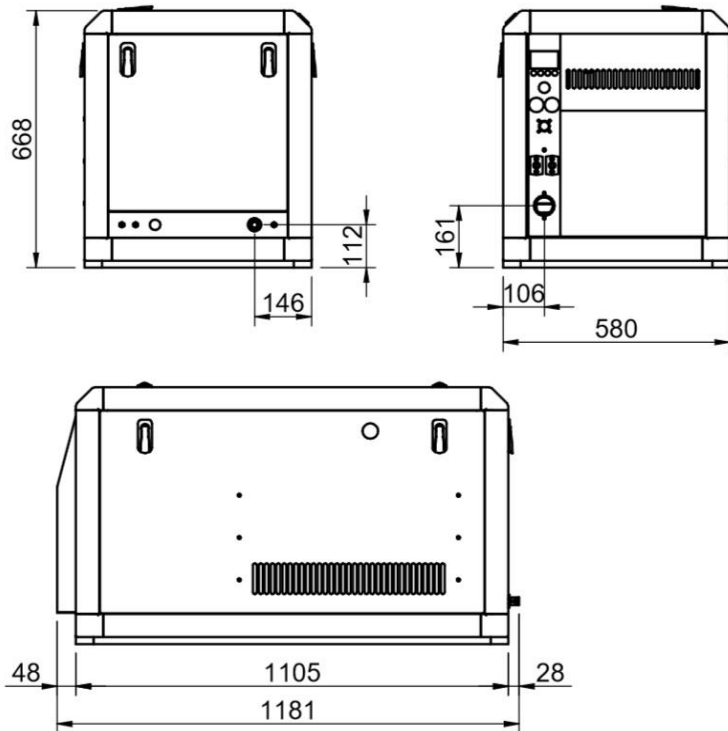
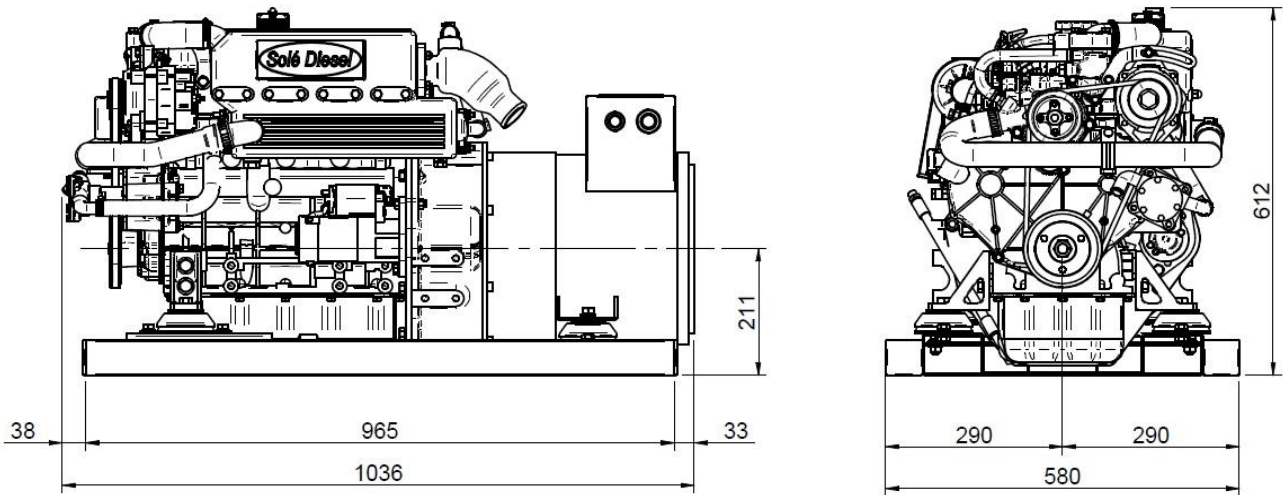
## Function Description

- OFF Mode
- MAN Mode (manual start/stop engine)
- AUT Mode (auto start/stop engine)



\* The specified function needs the current transformers (Optional Equipment) for showing the information in panel display.

## Dimensions



Authorized dealer

[www.solediesel.com](http://www.solediesel.com)  
[info@solediesel.com](mailto:info@solediesel.com)

Detailed drawings, brochures and manuals are available on the web [solediesel.com](http://www.solediesel.com). All rights reserved. Technical specifications, data and presentation are subjected to variations, changes and updates without prior notice. Non-contractual information.