

MARINE GENERATORS

7 GS/GSC

Single-Phase

General data

| | | | |
|-----------------------|------------------|-----------------|--------|
| Maximum power* | 6.6 kW (6.6 kVA) | Voltage | 230 V |
| Prime Power** | 6 kW | Amperage | 28.7 A |
| Frequency | 50 Hz | Phases | 1 |

Dimensions and weights

| | | | |
|------------------------------------|--------|---------------------------------|--------|
| Total length without canopy | 773 mm | Total length with canopy | 892 mm |
| Total width without canopy | 560 mm | Total width with canopy | 560 mm |
| Total height without canopy | 561 mm | Total height with canopy | 608 mm |
| Dry weight without canopy | 198 Kg | Dry weight with canopy | 220 Kg |

Engine

| | | | |
|---------------------------------|-------------------------|-----------------------------|-------------------------|
| Base engine manufacturer | Mitsubishi | Diameter | 76 mm (2.99 in) |
| Model | MINI-26 | Stroke | 70 mm (2.76 in) |
| Type | Diesel, 4 stroke | Compression ratio | 23:1 |
| Engine RPM | 1500 | Injection system | Mechanical and indirect |
| Number of cylinders | 3 | Intake system | Naturally aspirated |
| Total displacement | 952 cc | SAE Flywheel housing | SAE 5 |
| Oil | SAE 15W40 | Coolant capacity | 3 L (0.79 gal) |
| Oil capacity | 4 L (1.06 gal) | Flywheel | SAE 6 1/2 |
| Power | 7.5 kW (10.2 CV) | Coolant flow rate | 24 l/min (6.34 gal/m) |
| Salt water flow rate | 12.3 l/min (3.25 gal/m) | Intake air flow rate | 0.64 m ³ /m |
| Exhaust type | Wet exhaust elbow | V-Belt Protection | Optional |

Rating conditions according to ISO 3046 (100 kPa barometric pressure, 30 % relative humidity abd 25 °C (77 ° F))

* Maximum output power: maximum power supplied by the genset at full load

** Prime Power: rated power according to ISO 3046 and ISO 8528-1. 10 % overload capacity one hour in twelve hours.

Fuel system details

1 kW 1,36 CV 1 kW 1,36 HP (metric) 1 kW 1,36 CH

45679 - 1/25

Fuel system details

| | | | |
|------------------|--------------------|---------------------|---------------------|
| Consumption 25% | 0.8 l/h (0.21 gal) | Fuel type | Diesel |
| Consumption 50% | 1.3 l/h (0.34 gal) | Fuel standards | Fueloil diesel ASTM |
| Consumption 75% | 1.7 l/h (0.45 gal) | Injection pump type | In line |
| Consumption 100% | 2.1 l/h (0.55 gal) | Governor type | Mechanical |

Electrical system

| | | | |
|---------------------|----------|----------------------|----------|
| Battery voltage | 12 V | Stop solenoid type | ETR |
| Starter motor | 1.2 kW | Alternator | 40 A |
| Earth isolated | Optional | IP 65 box kit | Optional |
| SCO 11 double panel | Optional | Current transformers | Optional |

Installation details

| | | | |
|----------------------------------|-----------------|-------------------------------|------------------|
| Exhaust hose inner diameter | 50 mm (1.97 in) | Maximum fuel lift height | 0.3 m (0.98 ft) |
| Sea water hose inner diameter | 20 mm (0.79 in) | Maximum raw water lift height | 1.3 m (51.18 in) |
| Fuel feeding hose inner diameter | 8 mm (0.31 in) | Maximum sea water temperature | 32 ° (89.6 °F) |
| Fuel return hose inner diameter | 6 mm (0.24 in) | Maximum installation angle*** | 25 ° |
| Minimum battery capacity | 12 V 60 Ah | | |

Alternator details

| | | | |
|-----------------|----------|-------------------------------|-------------------------------------|
| Brand | Sincro | Cos Phi | 1 |
| Model | SK160SZ1 | Tropicalized | Yes |
| Regulator type | BL4 | Excitation system | Brushless |
| Number of poles | 4 | Voltage regulation accuracy** | 1% |
| Isolation type* | H | Alternator type | Synchronous |
| IP protection | 23 | Standards | EN 60034-1, IEC 60034-1, ISO 8528-3 |

Standard equipment

| | |
|---------------------------------|-------------------------------|
| 4 m electrical wiring extension | SCO 5 control panel |
| Oil extraction pump | Owner's and alternator manual |
| Rigid bed | Packaging |
| Anti Vibration Mounts | |

Optional accessories

| | |
|--|--------------------|
| Siphon break kit mandatory if generator is below waterline | Wet Exhaust System |
| Engine electrical system at 24 V | Water Filters |
| Service/Cruise Kits: fuel and oil filters, raw water pump, impeller, alternator belt,... | Sea water cock |
| Dry Exhaust system | Welcome Kit |

* Other protections available

** With load from 0 to 100%, speed variation from -2% up to +5%, power factor 0,8 linear and balanced load.

*** In all directions

For other requirements please contact the Sales Dept.

SCO 5 Panel



General Description

| |
|--|
| Graphic LCD with light Display, 128 x 64 pixels |
| 3 LED indicators |
| Marine genset measures (see display information) |
| Marine genset protections (see alarm management) |
| Running hour indicator |
| Type B USB for programming |
| Programming from the same panel |
| Universal Interface |
| Preheating function |
| D+ preexcitation terminal |
| CAN bus output with SAEJ1939 protocol |
| 2 multipurpose timers |
| Dimensions 118x 108 x 43 mm |
| Weight 246 g |

Alarm Management

| |
|----------------------------|
| Shutdown (SD) |
| High coolant temperature |
| Low oil pressure |
| Overspeed |
| Overload* |
| Short circuit* |
| Overcurrent* |
| Over/Under voltage |
| Over/Under frequency |
| Emergency stop |
| Warnings (WRN) |
| Over/Under battery voltage |
| Maintenance request |
| Sensor Fails (FLS) |

Operating modes

| | |
|-------------------------------------|-----------------------------------|
| OFF Mode | AUT Mode (auto start/stop engine) |
| MAN Mode (manual start/stop engine) | |

Power Supply

| |
|--|
| Voltage supply 12/24 DC with fuse protection |
| Consumption 60/35 mA |

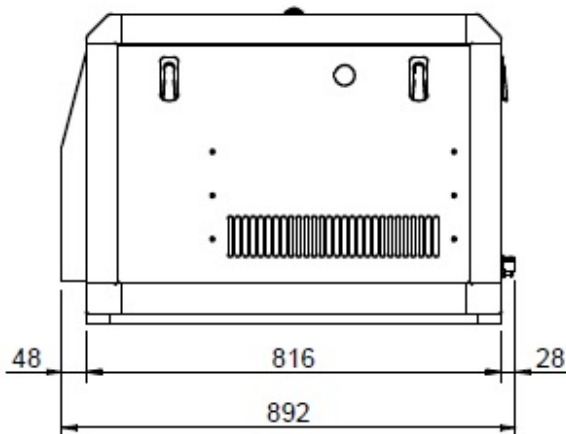
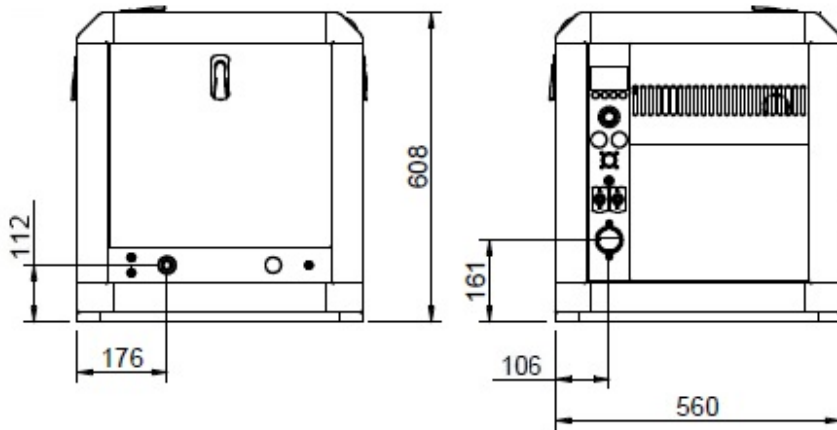
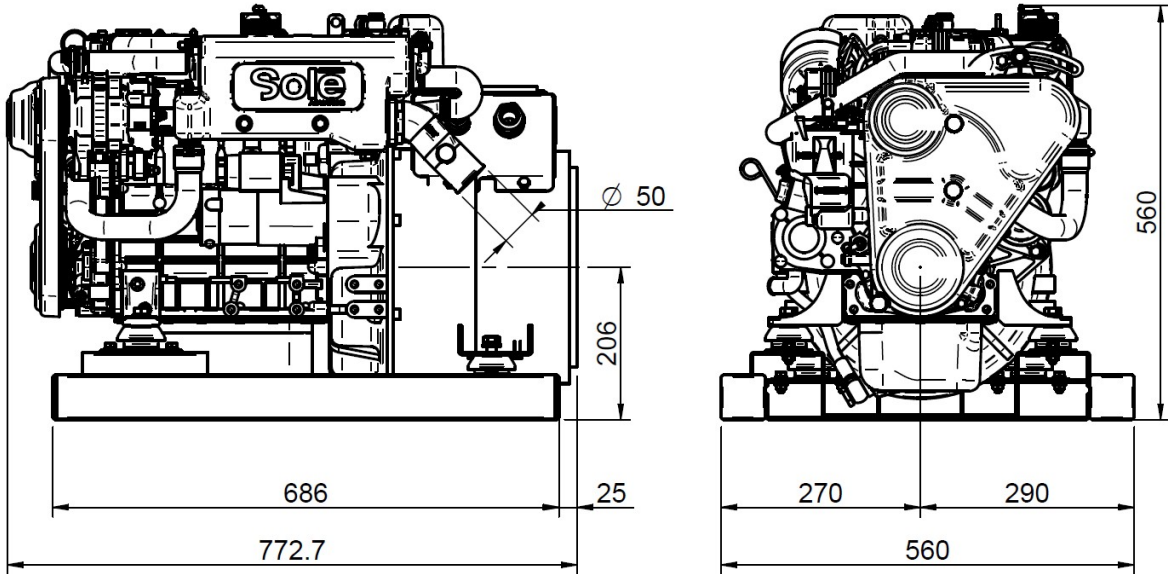
Operating Conditions

| |
|---|
| Operating temperature -20+70 °C |
| Humidity 95 % without condensation |
| Front Panel Protection IP65 |
| Standard Conformity |
| EN 61000-6-2, EN 61000-6-4, EN 61010-1 |
| EN 60068-2-6 (2÷25 Hz / ±1,6 mm; 25÷100 Hz / 4.0 g) |
| EN 60068-2-30:2005 25/55°C, RH 95%, 48hours |
| EN 60529 (front panel IP65, back side IP20) |

Display Information

| |
|--|
| Measurement |
| L1-L3 Voltage (V), Frequency (Hz), Oil Pressure (bar) |
| Coolant Temperature (°C), Battery voltage (V), RPM |
| Active Power* (kW), Apparent Power* (kVA), Current* (A), PF* |
| History log |

Dimensions



Authorized dealer



Detailed drawings, brochures and manuals are available on the web soleadvance.com. All rights reserved. Technical specifications, data and presentation are subjected to variations, changes and updates without prior notice. Non-contractual information.

