



## Part list

Genset 29 GS/GSC & 32 GSA/GSAC TAC



# PARTS LIST CATALOGUE

## NORMS TO PLACE AN ORDER

For fast and more efficient service, please specify the following information on spare parts orders that must be preferably done by e-mail as specified below:

- 1- Engine model: As shown in identification plate
- 2- Engine serial number: As shown in identification plate and stamped on crankcase
- 3- Item description + part number + quantity required

---

Spare parts requests must be addressed to :

[orders@soleadvance.com](mailto:orders@soleadvance.com)

Tel.: +34 93 775 44 05

---

The components shown in the catalog have:

- Figure: Number by which they are represented in scheme
- Description: Trade name of the component
- Quantity: Total number of parts used in the assembly of the part represented (may differ from the total minimum quantities)

Hoses, indicates the total length in meters

---

The diagrams shown in this catalog of spare parts, have only the purpose to identify the piece in question, its representation is not meaningful and may differ from the actual piece.

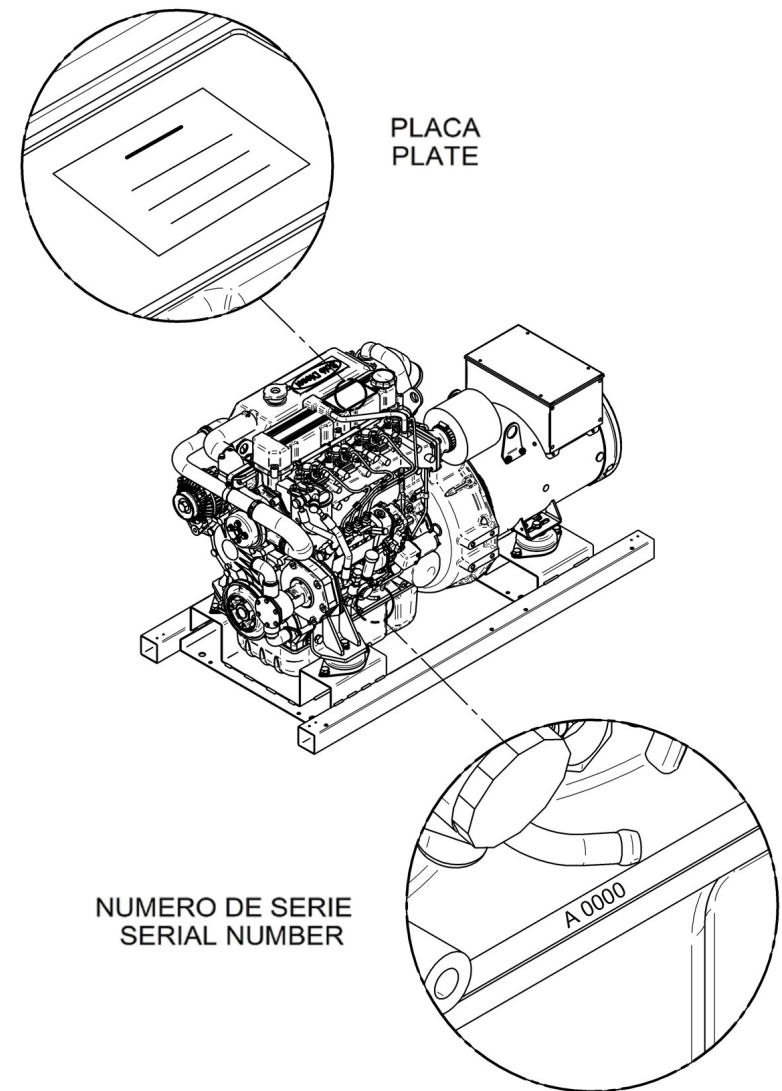
In case of doubt, contact Solé Advance, or your authorized dealer.

The parts i / or references in this catalog are subject to change without notice.

---

**SOLÉ, S.A.**  
C-243b, km, 2  
08760 Martorell (Barcelona) Spain

---



## Index

### Engine Body

---

Cylinder Head  
Rocker Cover & Breather  
Valve Drive  
Timing Parts  
Gear Case  
Crankcase  
Rear Plate  
Piston & Connecting Rod  
Crankshaft & Flywheel  
Oil System  
Oil Pan  
Engine Brackets  
Drive Belt Guard For Genset Without Cabin

### Inlet & Exhaust

---

Inlet

### Cooling System

---

Water Pump  
Cooler Pipes  
Water Cooler Assy MINI-74 TAC (R)  
Wet Exhaust  
Cross Brace Pump from 74 to 616

### Fuel System

---

Fuel Pipe And Fuel Leak Alarm  
Injection Nozzle  
Governor Parts  
Kit 2nd Fuel Filter (Without Cabin) TAC  
Kit 2nd Fuel Filter (Cabin)

### Electrical System

---

Electrical System 12V  
Electrical System 24V

Electronic Gov. Control System 12V  
Electronic Gov. Control System 24V  
Control and Power Cabinets  
Genset Extension TAC

### Genset Alternator Spare Parts

---

Alternator 29 GS/GSC Y 32 GSA/GSAC  
Alternator Spare Parts 29 GS Y 32GSA TYPE B Up To 29/12/2021  
Alternator Spare Parts TYPE C From 30/12/2021

### Genset Alternator Kit

---

Alternator Kit Without Cabin  
Alternator Kit With Cabin

### Chassis Spare Parts

---

Chassis

### Canopy Spare Parts

---

Mecc Alte Alternator Type B Cabin  
Cabin Kit

### Maintenance Kit

---

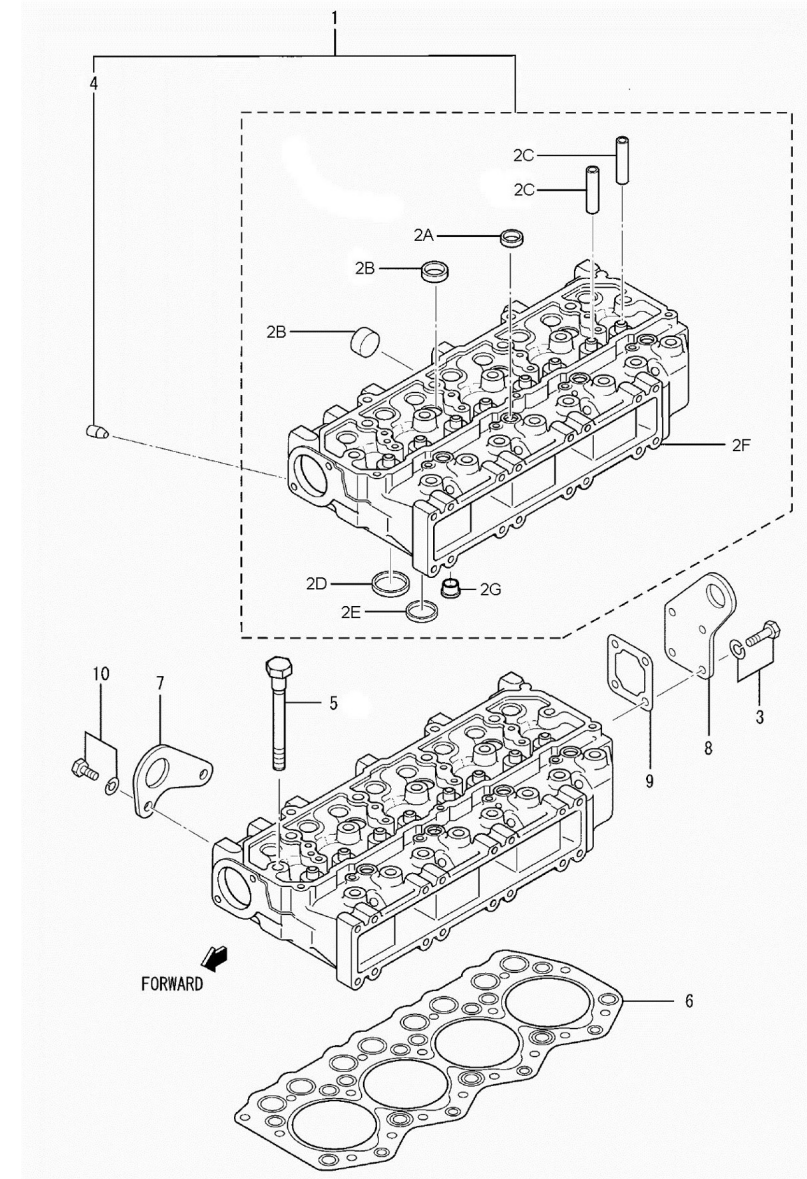
Gasket Kit  
Pipe Rubber Set, Water Line TAC  
Repair Kit Water Pump 1"  
Special Tools  
Special Tools

**Genset 29 GS/GSC & 32 GSA/GSAC TAC**

**Engine Body**

**D MI74GSTDN 01 1 Cylinder Head**

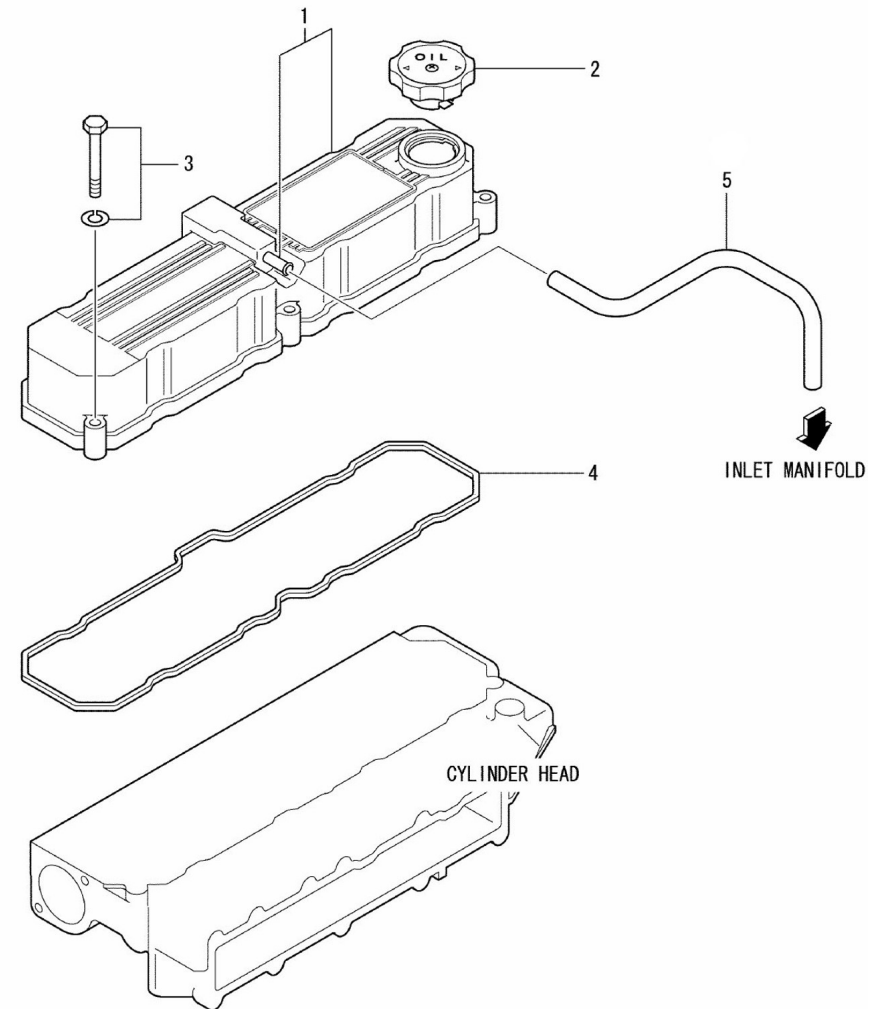
Fig.	Ref.	Qty.	Descr.	Obs	From	UpTo
1	17421001	1	Head Assy,Cylinder			
2A	17220006	8	Cap, Sealing			
2B	13220012	7	Cap Sealing			
2C	17421002	8	Guide,Valve			
2D	17421061	4	Seat,Valve,IN			
2E	17421062	4	Seat,Valve,Exhaust			
2F	(*)	2	Not available			
2G	17421015	4	JET,COMBUSTION			
3	17421012G.1	4	Bolt W/Washer (Generator)			
4	17421046G.3	1	Plug			
5	17421005	17	Bolt,cylinder head			
6	17421004	1	Gasket,Cylinder Head			
7	17420014	1	Eye,Lifting,Front			
8	17421018	1	Eye,Lifting;Head Rea			
9	17421011	1	Gasket			
10	17821012	2	Bolt,W/Washer			





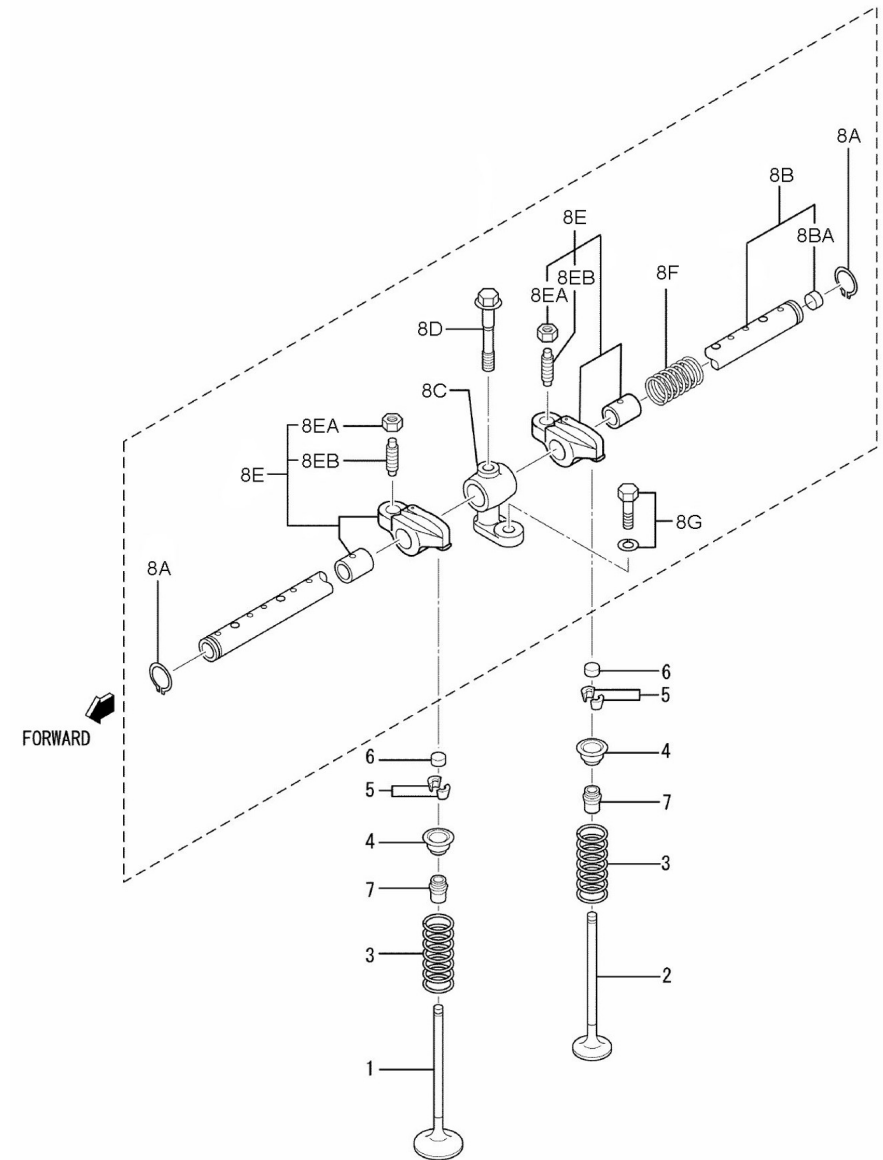
**D MI74GSTDN 01 2**      **Rocker Cover & Breather**

<i>Fig.</i>	<i>Ref.</i>	<i>Qty.</i>	<i>Descr.</i>	<i>Obs</i>	<i>From</i>	<i>UpTo</i>
1	17421009.2	1	Cover Assy,Rocker			
2	17221003G	1	Cap Oil Filler			
3	17421014G.1	5	Bolt W/Washer (Generator)			
4	17421010	1	Rocker Cover Gasket			
5	17421006	1	Hose,BREATHER			



**D GG04 1 3** **Valve Drive**

Fig.	Ref.	Qty.	Descr.	Obs	From	UpTo
1	17422055.1	4	Valve,Inlet			
2	17422056	4	Exhaust Valve			
3	13322028	8	Spring, valve outler			
4	17422058	8	Retainer,Upper			
5	17122059.1	16	Cotter,Valve			
6	13322024	8	Cap			
7	17422057	8	Seal, Valve Stem			
8A	17222050	2	Ring, SNAP			
8B	17422046	1	Shaft Assy,Rocker			
8BA	13322023	2	Cap, Sealing			
8C	17422048	4	Bracket,Rocker Shaft			
8D	17422053	4	Bolt,Rocker Bracket			
8E	17422142.1	8	Rocker Assy			
8EA	17122060	8	Nut			
8EB	17122044	8	Screw Adjusting			
8F	17422047G.1	3	Spring,Rocker			
8GA	52102258	4	Bolt DIN 933 M8-25 8.8			
8GB	53033008	4	Washer GROWER DIN 127-8			

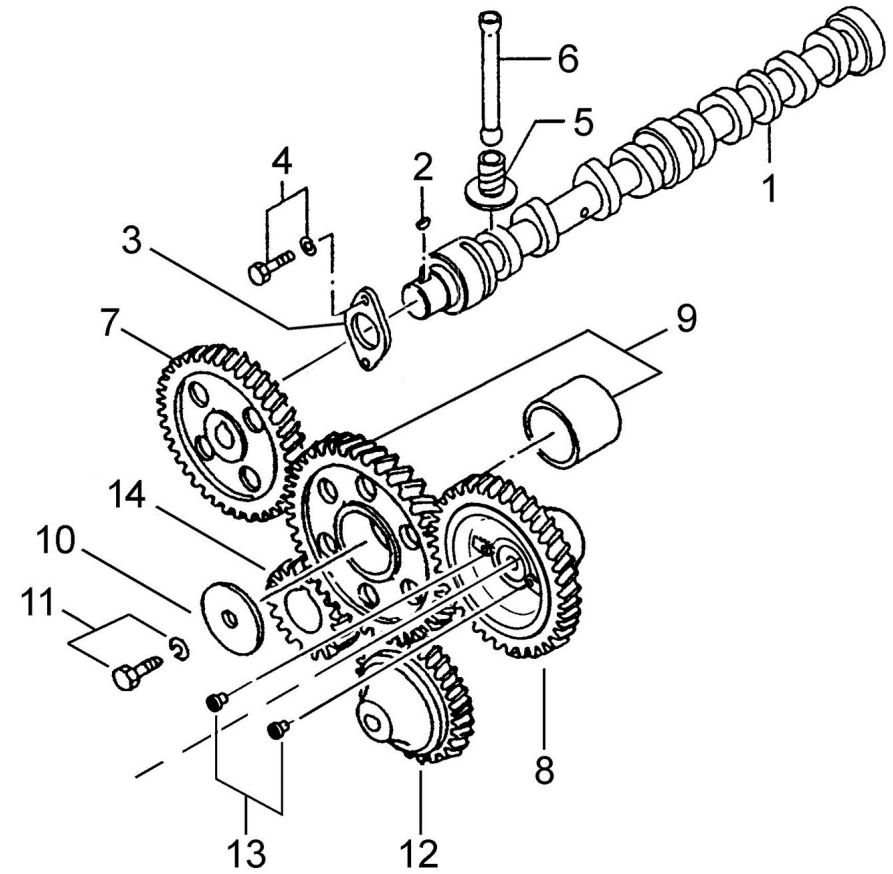


**Genset 29 GS/GSC & 32 GSA/GSAC TAC**

**Engine Body**

**D GG04 1 4 Timing Parts**

Fig.	Ref.	Qty.	Descr.	Obs	From	UpTo
1	17422035	1	CamShaft			
2	13322034	1	Key Woodruff			
3	17422075	1	Plate,THRUST			
4	17422037G.1	2	Bolt W/Washer (Generator)			
5	17122061	8	Tappet			
6	17122041	8	Rod, push			
7	17422037	1	Gear,CamShaft Z=46			
8	17422040	1	Gear,INJ.Pump Z=46			
9	17422038	1	Gear,IDLER Assy Z=49			
10	17122032	1	Plate, thrust			
11	17720010	1	Bolt,W/Washer			
12	17422066	1	Gear,Oil Pump Z=31			
13	53104255	2	Bolt DIN 7984 M8-12 10.9			
14	17422019	1	Gear,CrankShaft			

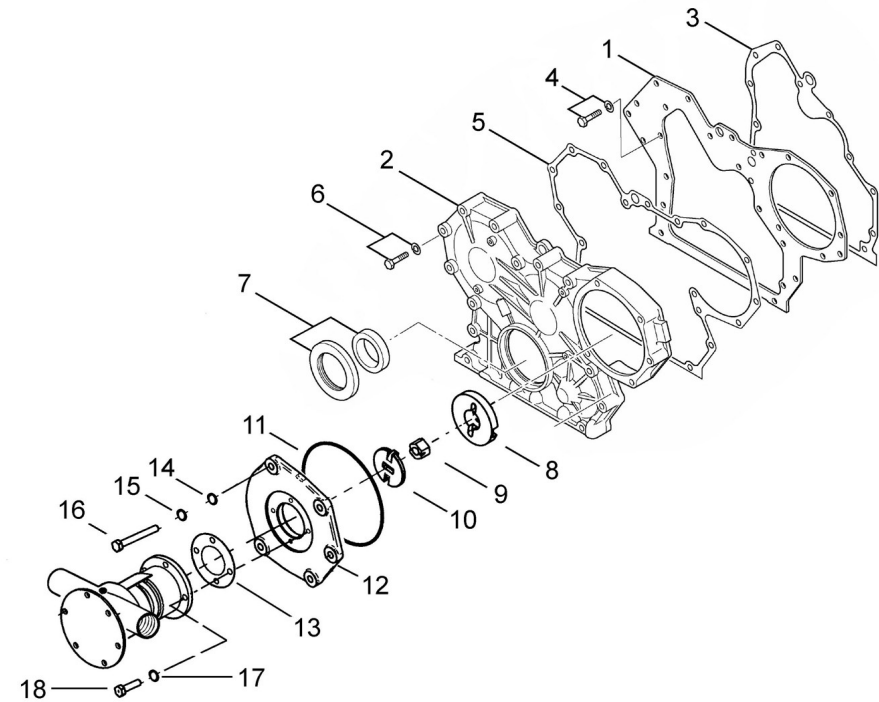


**Genset 29 GS/GSC & 32 GSA/GSAC TAC**

**Engine Body**

**D MI74GSTDN 01 5 Gear Case**

Fig.	Ref.	Qty.	Descr.	Obs	From	UpTo
1	17420024G.1	1	Plate,Front (Generator)			
2	17420035G	1	Case,TIMING Gear			
3	17420018	1	Gasket,Front Plate			
4	17422037G.1	5	Bolt W/Washer (Generator)			
5	17420040	1	Gasket,Gear			
6	17520047	13	Bolt,W/Washer			
7	17420039.1	1	Seal Assy,Oil			
8	17411026	1	Coupling Drive			
9	17422071	1	Nut,INJ.Pump			
10	15310072	1	CrossHead Jaw Coupling			
11	17420047	1	O-Ring D. 140X2			
12	17410010	1	Block Water Pump			
13	13310013	1	Gasket,water pump			
14	51030008	5	Washer DIN 125-8			
15	53038008	5	Washer DIN 6798-A 8			
16	52101266	5	Bolt DIN 931 M8-65 8.8			
17	51030006	4	Washer DIN 125-6			
18	52103156	4	Bolt DIN 912 M6-16 8.8			

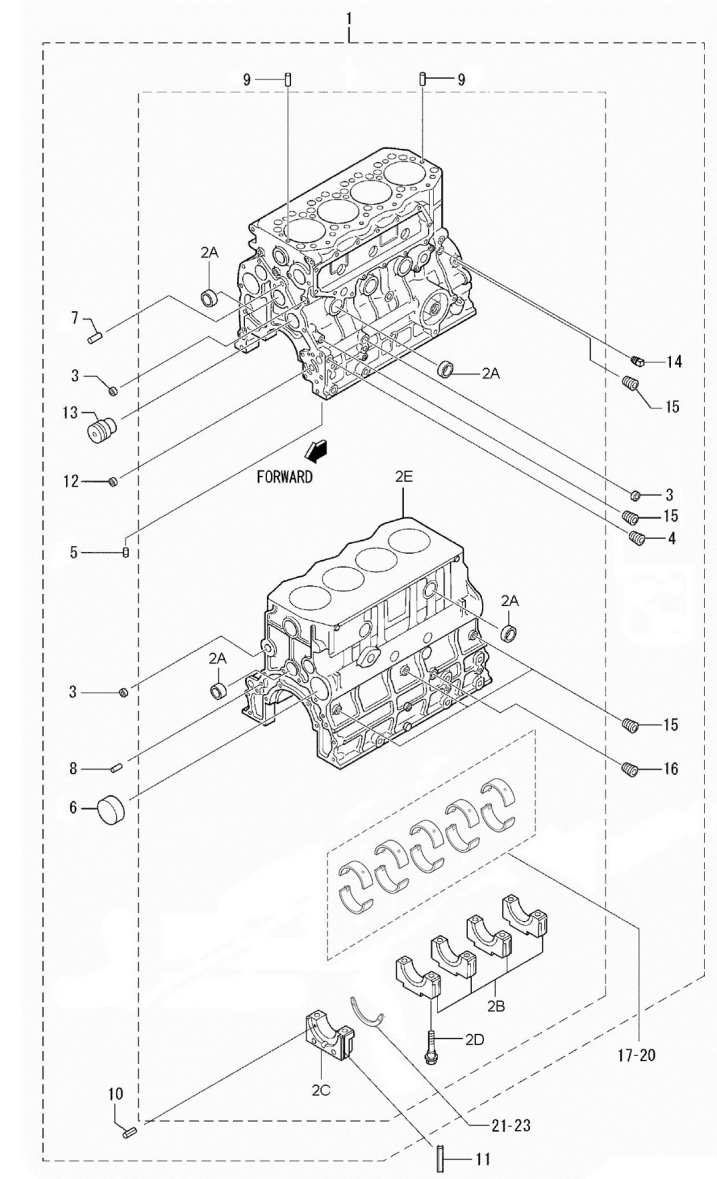


**Genset 29 GS/GSC & 32 GSA/GSAC TAC**

**Engine Body**

**D GG04 1 6 Cranckcase**

Fig.	Ref.	Qty.	Descr.	Obs	From	UpTo
1	17420001G.3	1	Crankcase Assy (Generator)			
2A	13320006	10	Cap, Sealing			
2B	(*)	6	Not available			
2C	(*1)	1	Not available			
2D	17420009	10	Bolt Bearing Cap			
3	13320007	4	Cap, Sealing			
4	17420027G.1	1	Plug,TAPPERED (Generator)			
5	17421046G.3	3	Plug			
6	17420013G.3	1	Plug			
7	17420036	2	Pin,Dowel			
8	13320025	2	Pin			
9	17120019	2	Pin, dowel			
10	17420012	6	Pin,Spring			
11	17420112	2	Seal,Valve			
12	17420011G.3	1	Bushing			
13	17420034	1	Shaft,IDLER			
14	17120022	1	Plug, tapered			
15	17820011	5	Plug, Tapered			
16	17620024.4	1	Plug TAPER			
17	17420003	1	METAL,MAIN Set STD			
18	17420004	1	METAL,MAIN Set -0,25			
19	17420005	1	METAL,MAIN Set -0,50			
20	17420006	1	METAL,MAIN Set -0,75			
21	17420109	3	Plate,THRUST.C/S STD			
22	17420110	3	Plate,THRUST.C/S +0,15			
23	17420111	3	Plate,THRUST.C/S +0,30			

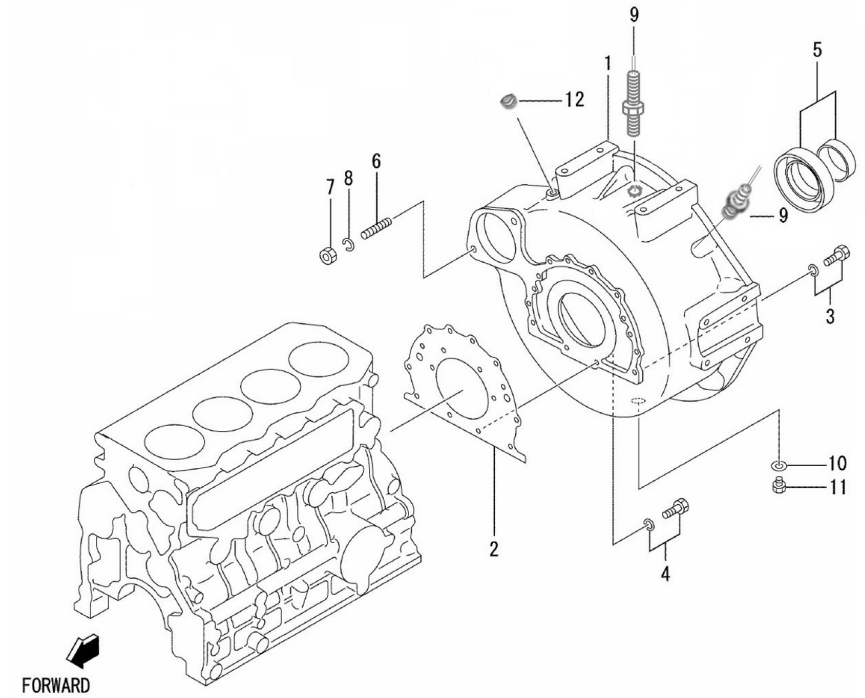


**Genset 29 GS/GSC & 32 GSA/GSAC TAC**

**Engine Body**

**D MI74GSTDN 01 7 Rear Plate**

<i>Fig.</i>	<i>Ref.</i>	<i>Qty.</i>	<i>Descr.</i>	<i>Obs</i>	<i>From</i>	<i>UpTo</i>
1	17A20007G.3	1	Flyweel Housing Pickup			
2	17420025	1	Gasket,Rear			
3	17327129.2	10	Bolt			
4	17420028G.1	2	Bolt,W/Washer (Generator)			
5	13320063	1	Seal Oil			
6	13320067	2	Stud			
7	17827003	2	Nut			
8	17433010	2	Washer spring			
9	60972519	2	Magnetic Speed Sensor			
10	56000077	1	Washer 18-23-1,5			
11	13224045	1	Plug			
12	52211454	1	Stud ALLEN DIN913 M16x1,5-16			



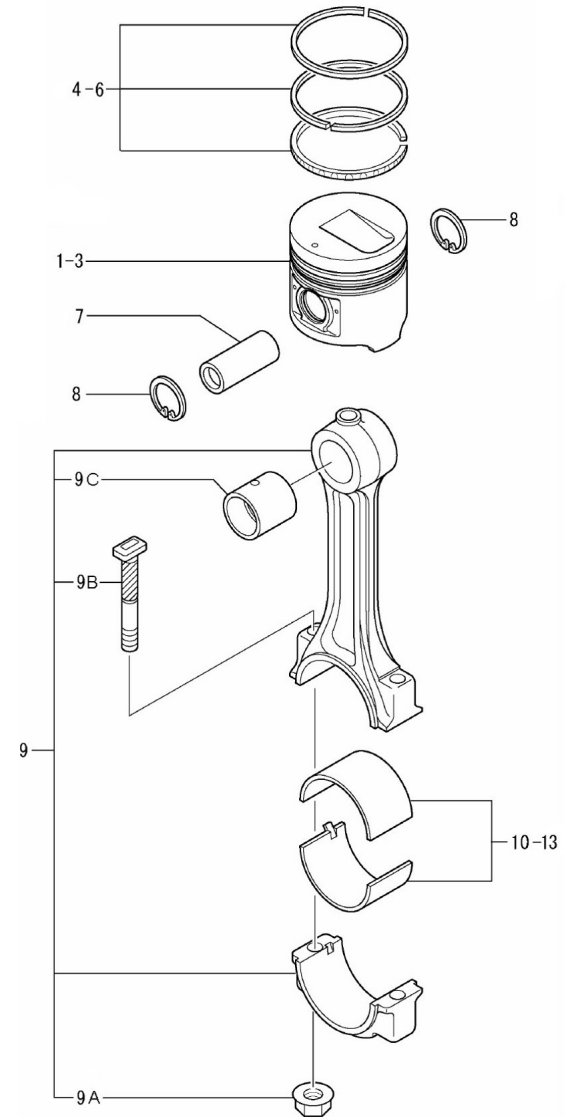


**Genset 29 GS/GSC & 32 GSA/GSAC TAC**

**Engine Body**

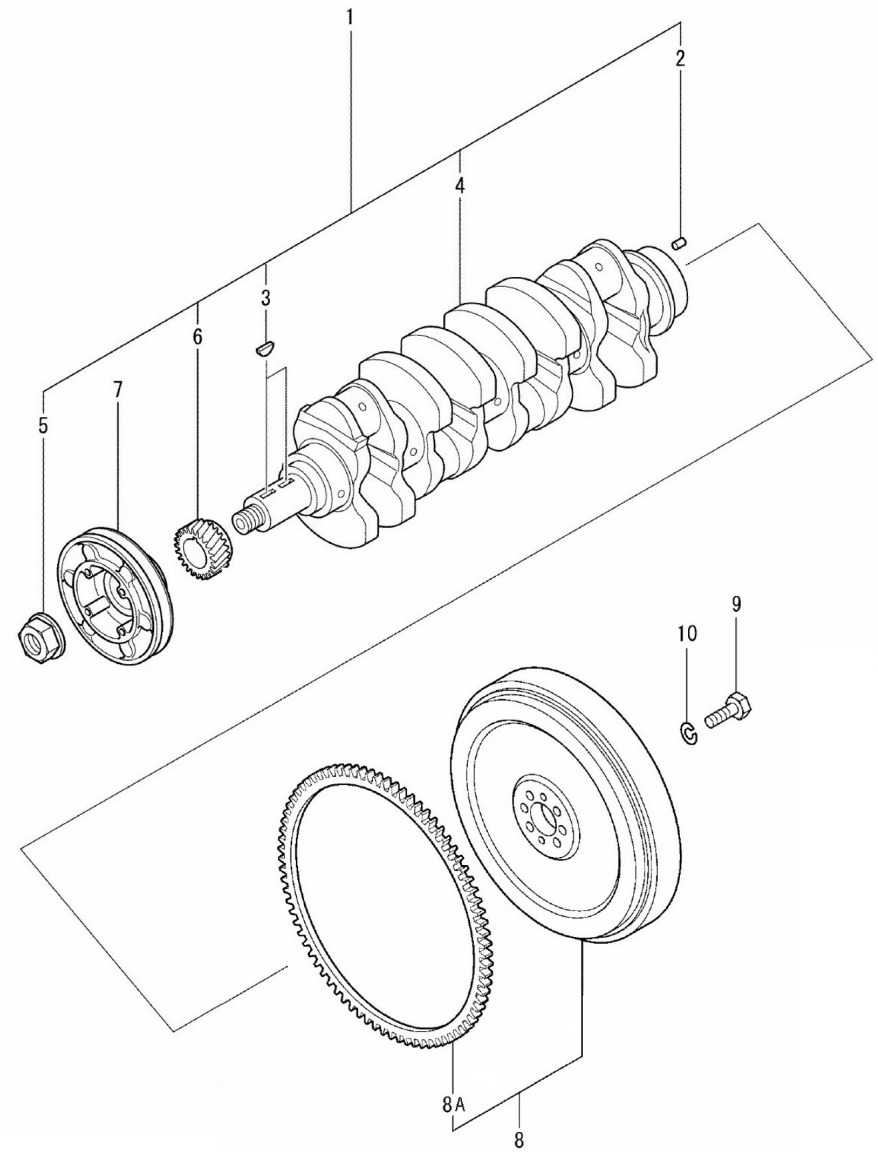
**D GG04 1 8 Piston & Connecting Rod**

Fig.	Ref.	Qty.	Descr.	Obs	From	UpTo
1	17422001G.1	4	Piston STD. (Generator)			
2	17422002G.1	4	Piston O.S 0.25 (Generator)			
3	17422003G.1	4	Piston O.S 0.50 (Generator)			
4	17422006G.1	4	Ring Set,Piston STD.(Generator)			
5	17422007G.1	4	Ring Set,Piston O.S 0.25 (Generator)			
6	17422008G.1	4	Ring Set,Piston O.S 0.50 (Generator)			
7	17422009	4	Pin,Piston			
8	17422010	8	Ring,Snap			
9	17822012	4	Rod Assy. Connecting			
9A	17822011	8	Nut			
9B	17122013	8	Bolt,connecting rod			
9C	17422033	4	Bushing,Con-Rod			
10	17422014	1	Bearing Set,Con-Rod,STD.			
11	17422015	1	Bearing Set,Con-Rod,U.S -0,25			
12	17822016	1	Bearing Set, Con-Rod, U.S 0,50			
13	17822017	1	Bearing Set, Con-Rod, U.S 0,75			



**D GG04 1 9 Crankshaft & Flywheel**

Fig.	Ref.	Qty.	Descr.	Obs	From	UpTo
1	17422018	1	CrankShaft Assy			
2	13322059	2	Pin			
3	13322034	2	Key Woodruff			
4	(*)	1	Not available			
5	17422026	1	Nut,CrankShaft			
6	17422019	1	Gear,CrankShaft			
7	17422024	1	Pulley CrankShaft			
8	17422027	1	Flywheel Assy			
8A	17422029	1	Gear, Ring Z=122			
9	13322065	4	Bolt			
10	53033012	4	Washer Grower DIN 127-12			

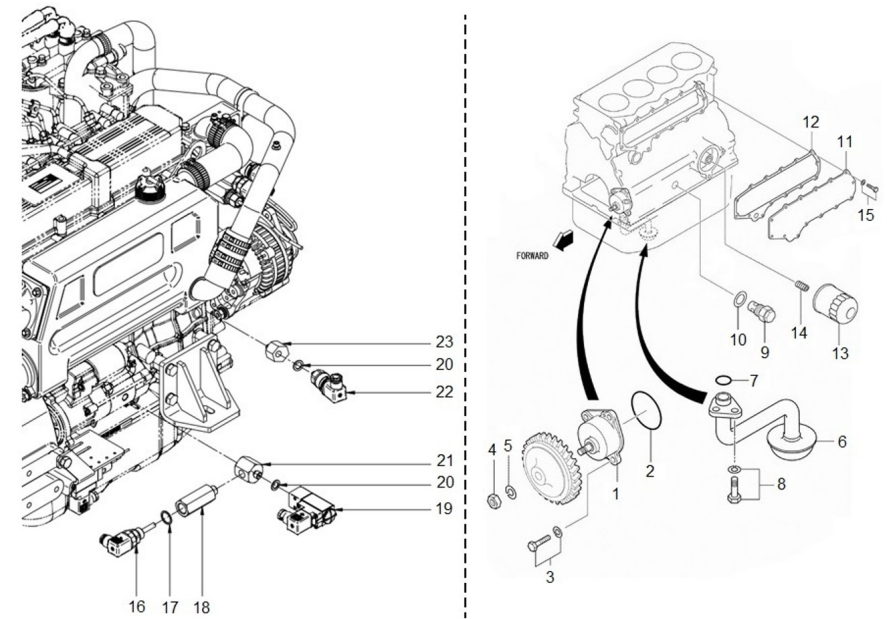


**Genset 29 GS/GSC & 32 GSA/GSAC TAC**

**Engine Body**

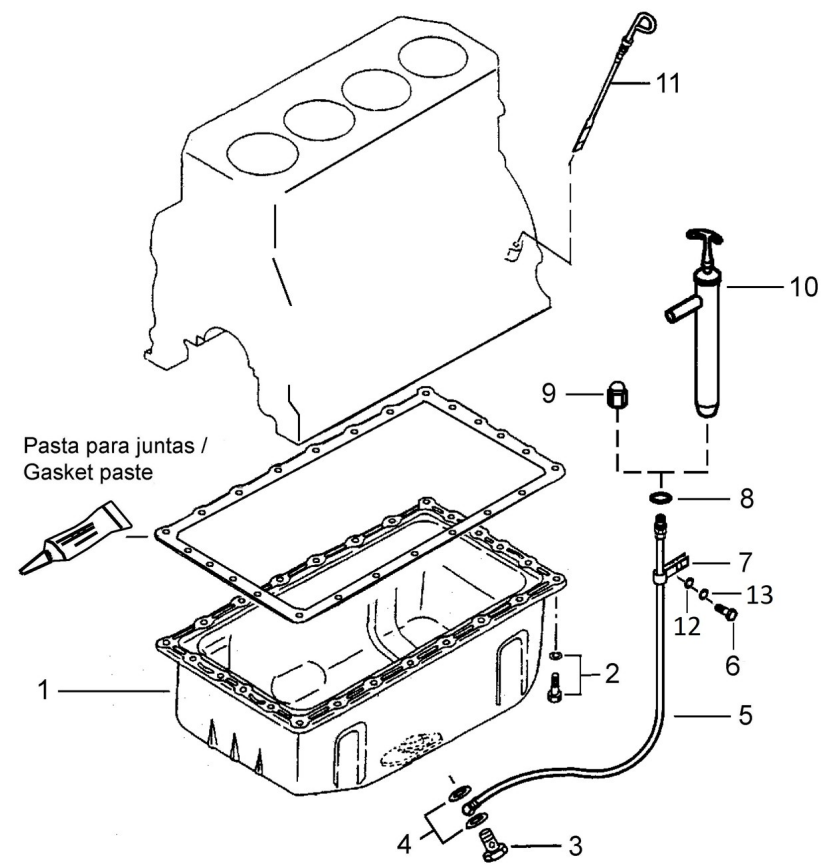
**D MI74GSTDN 01 10 Oil System**

Fig.	Ref.	Qty.	Descr.	Obs	From	UpTo
1	17424040	1	Pump Assy,Oil			
2	17424055	1	O-Ring D. 60X2			
3	17421012G.1	4	Bolt W/Washer (Generator)			
4	13122045	1	Nut			
5	17433010	1	Washer spring			
6	17424052	1	STrainer,Oil			
7	17424060	1	O-Ring D. 22X2,4			
8	17422037G.1	2	Bolt W/Washer (Generator)			
9	17124072	1	Valve, Assy			
10	17424063	1	Gasket			
11	17424065G	1	Cover,CRANKCase Side			
12	17424062.1	1	Gasket,Side Cover			
13	17424051	1	Oil Filter Element MINI-74/SM-82/94			
14	17424054	1	Union,Oil Filter			
15	17821012	14	Bolt,W/Washer			
16	60994075	1	Temperature Sensor			
17	56000083	1	Washer 21-26-1,5			
18	17A17028	1	Conversion Adapter G1/2 a 3/8			
19	6097A072	1	Compact Pressure Switch			
20	56000067	2	Washer 13-20-1,5			
21	17A17037	1	Conversion Adapter R 1/8 A G1/4 G1/8			
22	60994076	1	Marine Approved Pressure Transmitters			
23	17A17035.1	1	Conversion Adapter G1/4 a G1/8 BSPT			



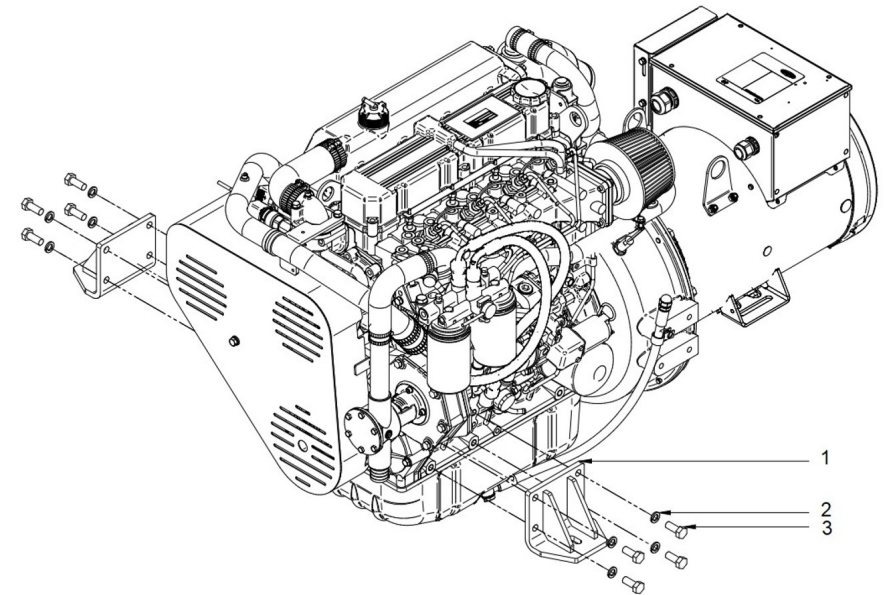
**D GG04 1 11 Oil Pan**

Fig.	Ref.	Qty.	Descr.	Obs	From	UpTo
1	17420030	1	Oil PAN Assy			
2	17821012	24	Bolt,W/Washer			
3	12814051	1	Screw,eye			
4	56000069	2	Washer 14-20-1,5			
5	17114021	1	Extraction Hose			
6	52102360	1	Bolt DIN 933 M12-35 8.8			
7	17214022	1	Bracket, Pipe			
8	56000217	1	Washer 13-20-3			
9	16514020	1	Plug			
10	14714001	1	Oil Extraction Pump			
11	17420029	1	Gauge Oil LEVEL			
12	51030012	1	Washer DIN 125-12			
13	53033012	1	Washer Grower DIN 127-12			




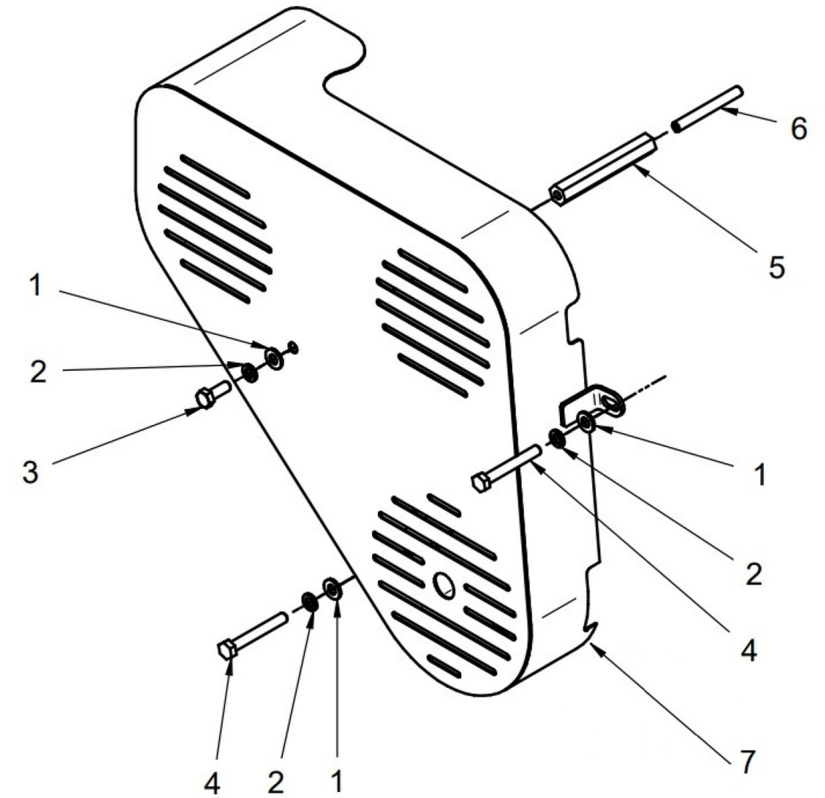
**D MI74GSTDN 01 12 Engine Brackets**

<i>Fig.</i>	<i>Ref.</i>	<i>Qty.</i>	<i>Descr.</i>	<i>Obs</i>	<i>From</i>	<i>UpTo</i>
1	17410001G	2	Support ANTERIUER			
2	53033012	8	Washer Grower DIN 127-12			
3	52102359	8	Bolt DIN 933 M12-30 8.8			



**D 17410020R Drive Belt Guard For Genset Without Cabin**

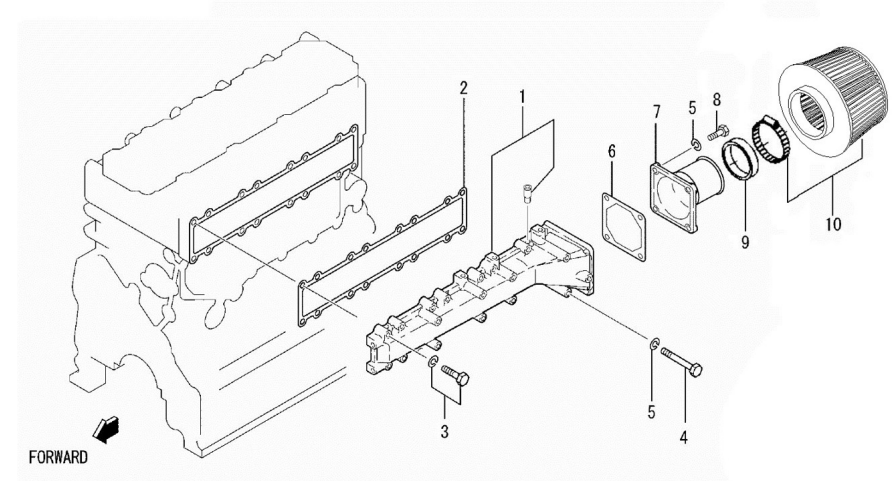
Fig.	Ref.	Qty.	Descr.	Obs	From	UpTo
1	51030008	3	Washer DIN 125-8			
2	53033008	3	Washer GROWER DIN 127-8			
3	52102257	1	Bolt DIN 933 M8-20 8.8			
4	52101265	2	Bolt DIN 931 M8-60 8.8			
5	17410021.6BIC	1	Spacer Zinc Plated White			
6	52113267	1	Rod DIN 913 M8-70 8.8			
7	17410020P	1	Belt Guard			
NS	17810022	1	Bracket Protection Belt			





**D MI74GSTDN 02 1 Inlet**

<i>Fig.</i>	<i>Ref.</i>	<i>Qty.</i>	<i>Descr.</i>	<i>Obs</i>	<i>From</i>	<i>UpTo</i>
1	17421030	1	MANIFOLD Assy,Inlet			
2	17421032	1	Gasket IN.MANIFOLD			
3	17421014G.1	14	Bolt W/Washer (Generator)			
4	17421014G	2	Bolt (Generator)			
5	53033008	6	Washer GROWER DIN 127-8			
6	17421042	1	Gasket			
7	17421029	1	Pipe,Air Inlet			
8	52102258	4	Bolt DIN 933 M8-25 8.8			
9	17410032	1	Ring			
10	17410034	1	Air Filter			

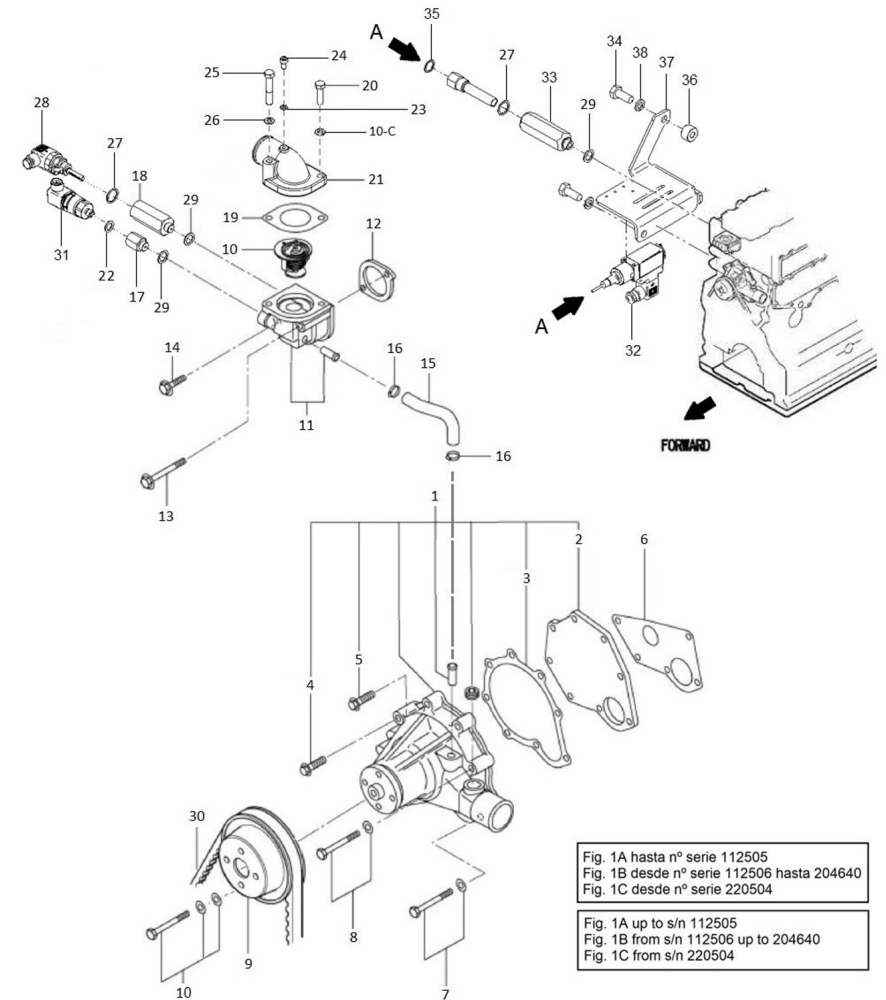


**Genset 29 GS/GSC & 32 GSA/GSAC TAC**

**Cooling System**

**D MI74GSTDN 03 1 Water Pump**

Fig.	Ref.	Qty.	Descr.	Obs	From	UpTo
1A	17421020G4	1	Fresh Water Assy (tube 10)			
1B	17421020G.3	1	Fresh Water Pump			
1C	17421020G.2	1	Fresh Water Pump			
2	17421043	1	Cover,Water Pump			
3	17421022	1	Gasket,Pump Cover			
4	17421026G	1	Bolt,Flange			
5	17821026	2	Bolt, Flange			
6	17421041	1	Gasket,Side Cover			
7	17421039G.1	4	Bolt,W/Washer (Generator)			
8	17420062G.1	1	Bolt,W/Washer (Generator)			
9	17121021	1	Pulley,Water Pump			
10	17121027	1	Thermostat			
10A	52102256	4	Bolt DIN 933 M8-16 8.8			
10B	51030008	4	Washer DIN 125-8			
10C	53033008	5	Washer GROWER DIN 127-8			
11	17421037G.1	1	Case Assy (Generator)			
12	17421016G.2	1	Gasket (Generator)			
13	17821038	1	Bolt, Flange			
14	17821039	1	Bolt, Flange			
15	17421025G.1	1	Hose,BY-PASS (Generator)			
16	54081020	2	Clamp DIN 3017 20-32/9 W4			
17	17A17030	1	Conversion Adapter G1/4 a 5/8"SAE			
18	17A17031	1	Conversion Adapter G1/2 A 5/8 UNF			
19	17111021	1	Gasket			
20	52102259	1	Bolt DIN 933 M8-30 8.8			
21	17111020	1	Fitting,water outlet			
22	56000067	1	Washer 13-20-1,5			
23	56000053	1	Washer 6-10-1,5			
24	13811035	1	Bolt,bleed			
25	52101263	1	Bolt DIN 931 M8-50 8.8			
26	53038008	1	Washer DIN 6798-A 8			



**D MI74GSTDN 03 1 Water Pump**

Fig.	Ref.	Qty.	Descr.	Obs	From	UpTo
27	56000083	2	Washer 21-26-1,5			
28	60994075	1	Temperature Sensor			
29	56000073	3	Copper Washer 16-23-1,5			
30	17430010	1	Belt			
31	60994076	1	Marine Approved Pressure Transmitters			
32	6097A075	1	Thermostat DNV 95° Trafag			
33	17A17033	1	Conversion Adapter 5/8 UNF			
34	52102360	1	Bolt DIN 933 M12-35 8.8			
35	56000077	1	Washer 18-23-1,5			
36	19117011	1	Spacer 10,5X19X15			
37	17A17034	1	Sensor Bracket			
38	53033012	1	Washer Grower DIN 127-12			

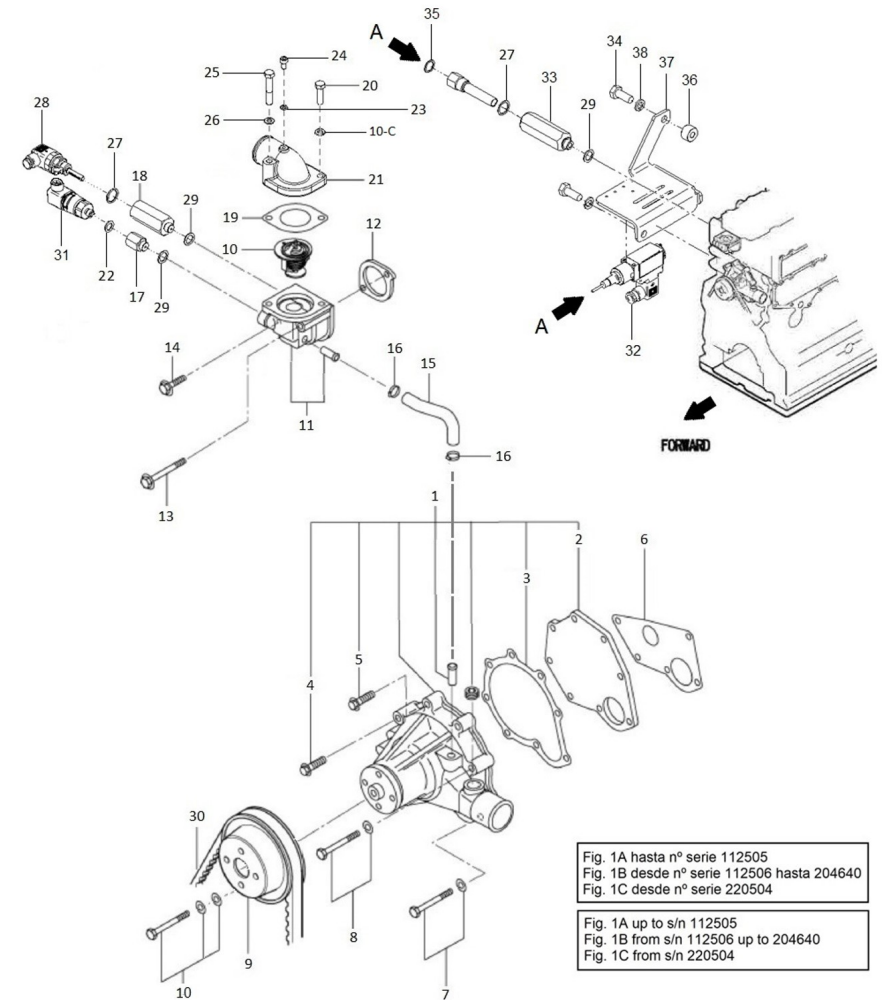
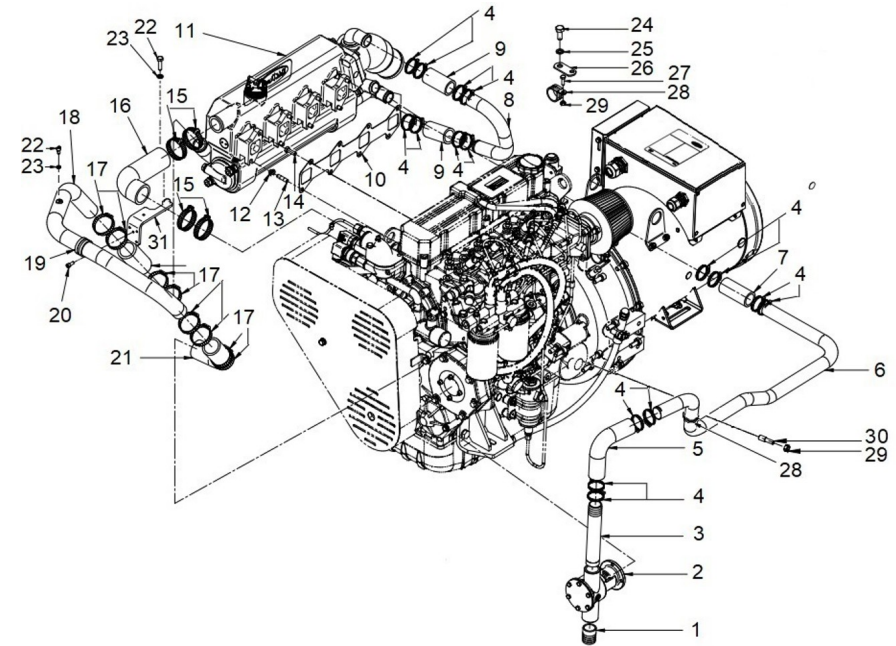


Fig. 1A hasta nº serie 112505  
 Fig. 1B desde nº serie 112506 hasta 204640  
 Fig. 1C desde nº serie 220504

Fig. 1A up to s/n 112505  
 Fig. 1B from s/n 112506 up to 204640  
 Fig. 1C from s/n 220504

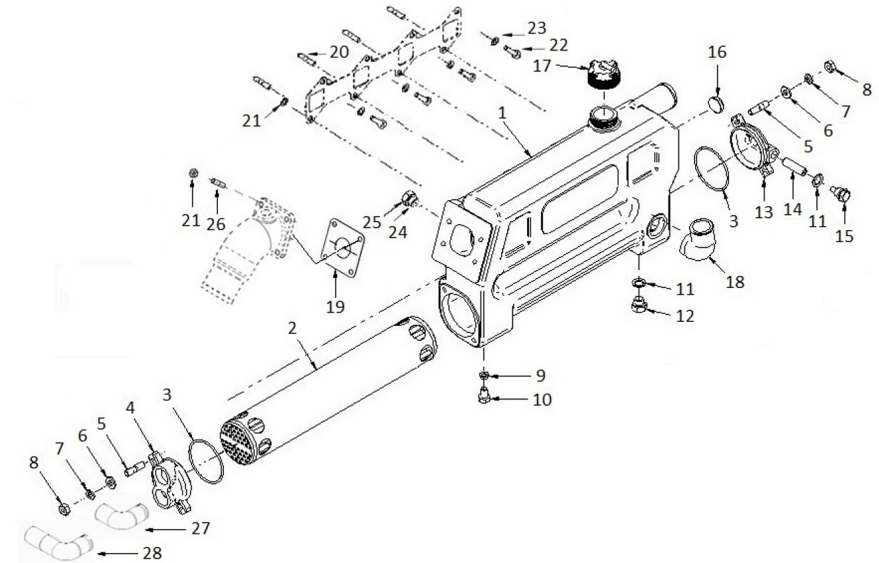
**D MI74GSTDN 03 2 Cooler Pipes**

Fig.	Ref.	Qty.	Descr.	Obs	From	UpTo
1	60180007	1	Outlet Coupling			
2	36511000	1	Cross Brace Pump from 74 to 616			
3	17411042	1	Straight Brass Hose Connection			
4	54081025	16	Clamp DIN 3017 25-40/9 W4			
5	13211057	1	Rubber			
6	17411041	1	Brass Pipe D32			
7	13211037	1	Pipe 30-40-85			
8	17411023	1	Brass Pipe D32			
9	13611038	2	Pipe 30-40-75			
10	17421035	1	Gasket,Exhaust Manifold			
11	17411000DNVR	1	Water Cooler Assy (R)			
12	51125008	4	Nut Exhaust			
13	14711008	4	Stud,cover			
14	52102258	4	Bolt DIN 933 M8-25 8.8			
15	54082040	4	Clamp DIN 3017 40-60/12 W4			
16	17411013	1	Thermostat Water Outlet Elbow			
17	54081032	8	Clamp DIN 3017 35-50/9 W4			
18	17411024	1	Pipe,from cooler to engine D38 e2			
19	59071383	1	Clamp TYP.1 38/15 W1			
20	52103156	1	Bolt DIN 912 M6-16 8.8			
21	15211026	1	Elbow,rubber			
22	13811035	1	Bolt,bleed			
23	56000053	2	Washer 6-10-1,5			
24	52102308	1	Bolt DIN 933 M10-25 8.8			
25	53033010	1	Washer GROWER DIN 127-10			
26	15217010	1	Bracket,wirings			
27	52102157	1	Bolt DIN 933 M6-20 8.8			
28	59071304	1	Clamp RSGU 1 30/15 W1			
29	54120006	2	Nut DIN 934 M6 INOX			
30	17A10036	1	Stud M8-M6			
31	17A11014	1	Bracket			



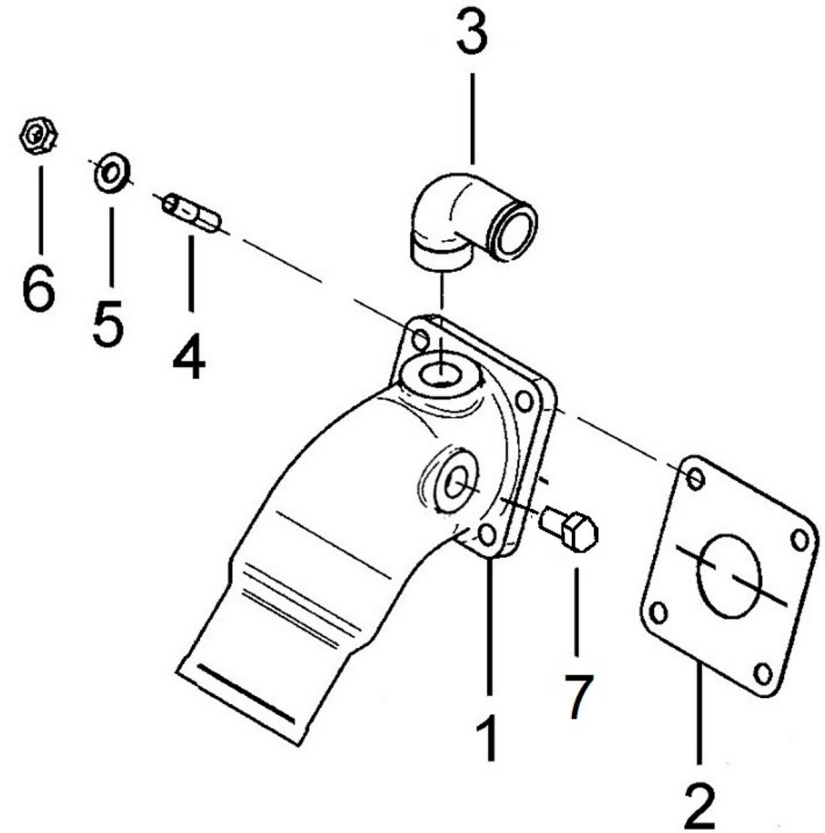
**D 17411000DNVR Water Cooler Assy MINI-74 TAC (R)**

Fig.	Ref.	Qty.	Descr.	Obs	From	UpTo
1	17811001DNV	1	Body, DNV Water Cooler			
2	18011004	1	Tubular Bundle			
3	18011008	2	O-Ring D. 72X3			
4	17411003	1	Water Cooler Cover			
5	16511007	4	Stud			
6	51030010	4	Washer DIN 125-10			
7	53033010	4	Washer GROWER DIN 127-10			
8	52120010	4	Nut DIN 934 M10 8.8			
9	56000205	1	Washer 10-16-3			
10	54102306	1	Bolt DIN 933 M10-16 INOX.			
11	56000073	2	Copper Washer 16-23-1,5			
12	12111076	1	Plug			
13	18011002	1	Water Cooler Cover			
14	18011031	1	Engine Anode 45 mm M.8			
15	18011009	1	Anode Plug			
16	12113092	1	Plug			
17	13811010	1	Cap			
18	17111011	1	Elbow 1 1/8"			
19	16513002	1	Exhaust Elbow Gasket			
20	14711008	4	Stud,cover			
21	51125008	8	Nut Exhaust			
22	52102258	4	Bolt DIN 933 M8-25 8.8			
23	53038008	4	Washer DIN 6798-A 8			
24	56000077	1	Washer 18-23-1,5			
25	19411027	1	Plug			
26	19613016	4	Turbo Stud M8-M10			
27	14711021	1	Elbow N°1			
28	14711030	1	Brass Elbow Connector			
NS	17411040	1	Label MINI-74	☒		
NS	ETIQUETA0035	1	Engine Vinyl Solé Advance 17,5x6,2 cm	☒		



**D MI74GSTDN 03 4 Wet Exhaust**

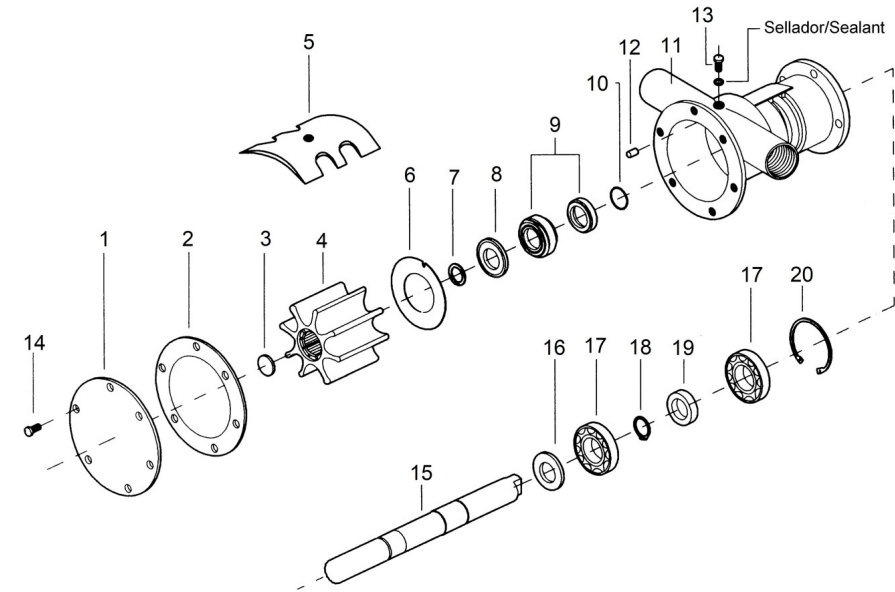
Fig.	Ref.	Qty.	Descr.	Obs	From	UpTo
1	16613015	1	Elbow, wet exhaust			
2	16513002	1	Exhaust Elbow Gasket			
3	14711021	1	Elbow N°1			
4	19613016	4	Turbo Stud M8-M10			
5	53033008	4	Washer GROWER DIN 127-8			
6	54120008	4	Nut DIN 934 M8			
7	55102405	1	Bolt DIN 933 M14-1,50-12 Brass		06/05/2024	





**36511000 Cross Brace Pump from 74 to 616**

Fig.	Ref.	Qty.	Descr.	Obs	From	UpTo
1	34711002	1	Cover Pump			
2	34711003	1	Gasket Cover			
3	34711041	1	Impeller Plug			
4	34711008	1	1" Impeller			
5	34711005	1	Cam			
6	34711026	1	Plate,Friction			
7	54040016	1	CIRclip E-16			
8	36511018	1	Washer,seal			
9	36511019	1	Seal			
10	33311013	1	O-Ring D. 15X2			
11	36511001	1	Body,water pump			
12	36511017	1	Pin,Dowel			
13	54108154	1	Bolt DIN 84 M6-10			
14	54102154	6	Bolt DIN 933 M6-10 INOX			
15	36511010	1	Shaft,pump			
16	36511015	1	Spacer 17X24X7			
17	33311014	2	Ball Bearing 6203			
18	53040017	1	Circlip DIN 471 E-17			
19	36511020	1	Seal 16-30-7			
20	53041040	1	Circlip DIN 472 I-40			



**D MI74GSTDN 04 1 Fuel Pipe And Fuel Leak Alarm**

Fig.	Ref.	Qty.	Descr.	Obs	From	UpTo
0A	17425001G	1	Pump Assy,Injection (Generator)			21/09/2016
0B	17425001G.3	1	Pump Assy,Injection (Generator)		22/09/2016	
1	13824013	4	Injector Washer			
2	17424025G.1	4	Gasket Fuel Return (Genset)			
3	13824024	4	Nut			
4	17420047	1	O-Ring D. 140X2			
5	17425005	1	Flange,INJ.Pump			
6	17425028	1	Gasket			
7	17721012	1	Bolt,W/Washer			
8	17425029	4	Bolt,W/Washer			
9	17414010	1	Joint Fuel inlet			
10	56000205	1	Washer 10-16-3			
11	17414011	1	Racord			
12	17424025G.2	1	Bolt			
13	17424032	1	Connector			
14	17424033	1	Pipe,Oil			
15	17424034	1	Bracket,INJ.Pump			
16	53033008	1	Washer GROWER DIN 127-8			
17	17120049	1	Nut M8			
18	17424005	1	Pipe,Fuel			
19	17425036	1	Bolt,Flange			
20	17424010R	1	Pipe Kits			
21	51030012	2	Washer DIN 125-12			
22	52102157	4	Bolt DIN 933 M6-20 8.8			
23	53033006	7	Washer GROWER DIN 127-6			
24	51031006	3	Washer DIN 9021 6			
25	17A17011	6	Bakelite Bushing			
26	17A17009	1	Fuel Leak Alarm Bracket,Earth Isolated			
27	52102360	2	Bolt DIN 933 M12-35 8.8			
28	17414009	3	Anti Vibration Mount			
29	17517009.6	1	Alarm Bracket			

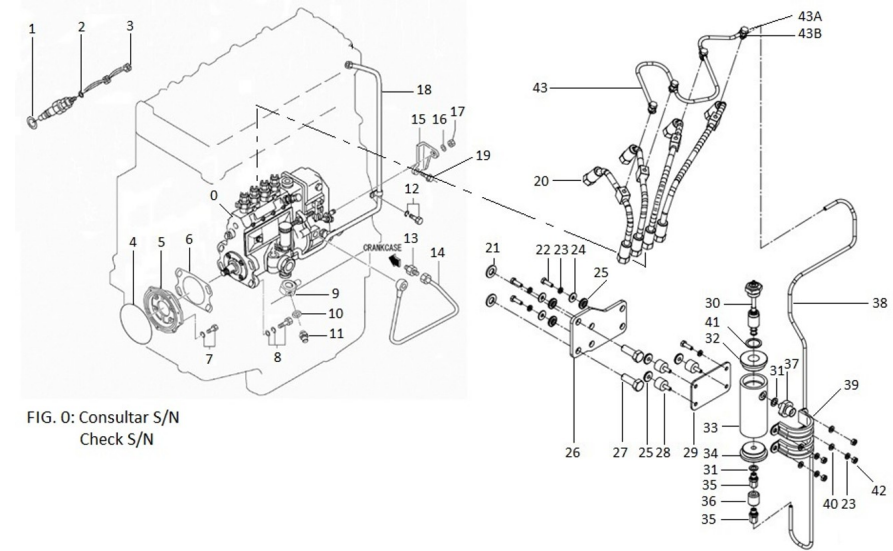


FIG. 0: Consultar S/N  
Check S/N

**D MI74GSTDN 04 1 Fuel Pipe And Fuel Leak Alarm**

Fig.	Ref.	Qty.	Descr.	Obs	From	UpTo
30A	17517009.1	1	Fuel Leak Switch 12V			
Figure A for Standard System						
30B	17517017.1	1	Fuel Leak Switch 24V			
Figure b for Parallel System						
31	56000061	2	Washer 10-16-1,5			
32	17517009.3	1	Cover, Upper			
33	17517009.2	1	Tube			
34	17517009.4	1	Lower cover			
35	19414028	3	P-GEV 6LR 1/8			
36	17A14029	1	1/8-28 To M10 Threat Adaptor			
37	17B14032	1	Fitting 1/8 - 3/8 Nylon			
38	17414020	1	Fuel Pipe			
39	59072482	2	Clamp 2 48/20 W1			
40	51030006	5	Washer DIN 125-6			
41	56000086	1	Washer 22,3-29-1,5			
42	52120006	4	Nut DIN 934 M6 8.8			
43	17414019	1	Assy,Fuel Return			
43A	13114007	4	Banjo Short Bolt			
43B	56000057	8	Washer 8-13-1,5			
NS	19424101	1	Spray stop kit			
NS	58018160	1	Screw			
NS	59071064	2	Clamp RSGU 1 06/15 W1			

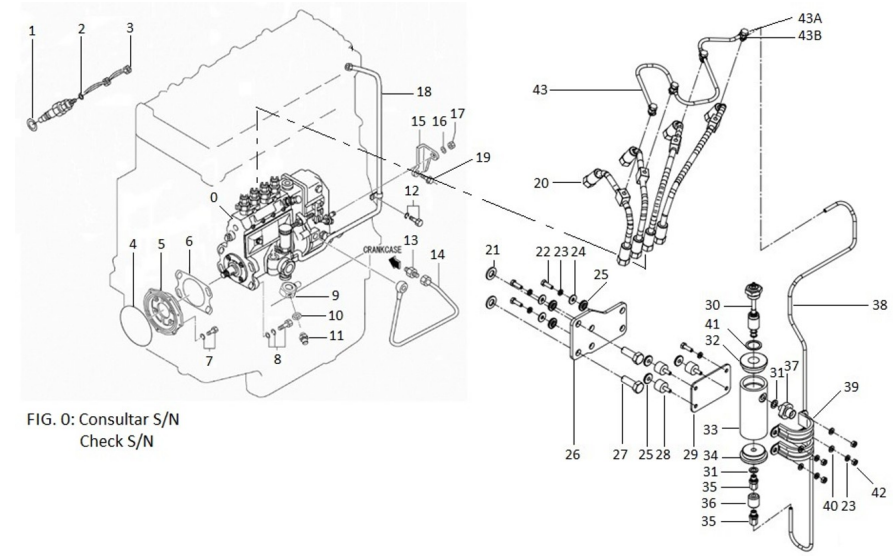
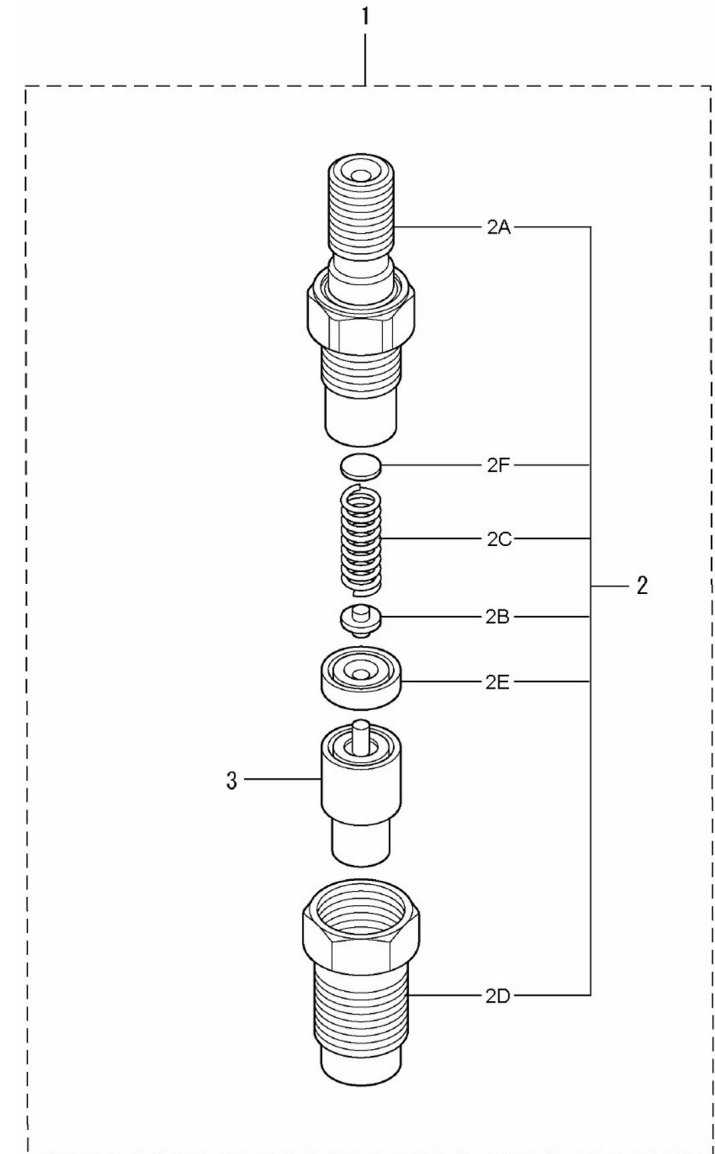


FIG. 0: Consultar S/N  
Check S/N

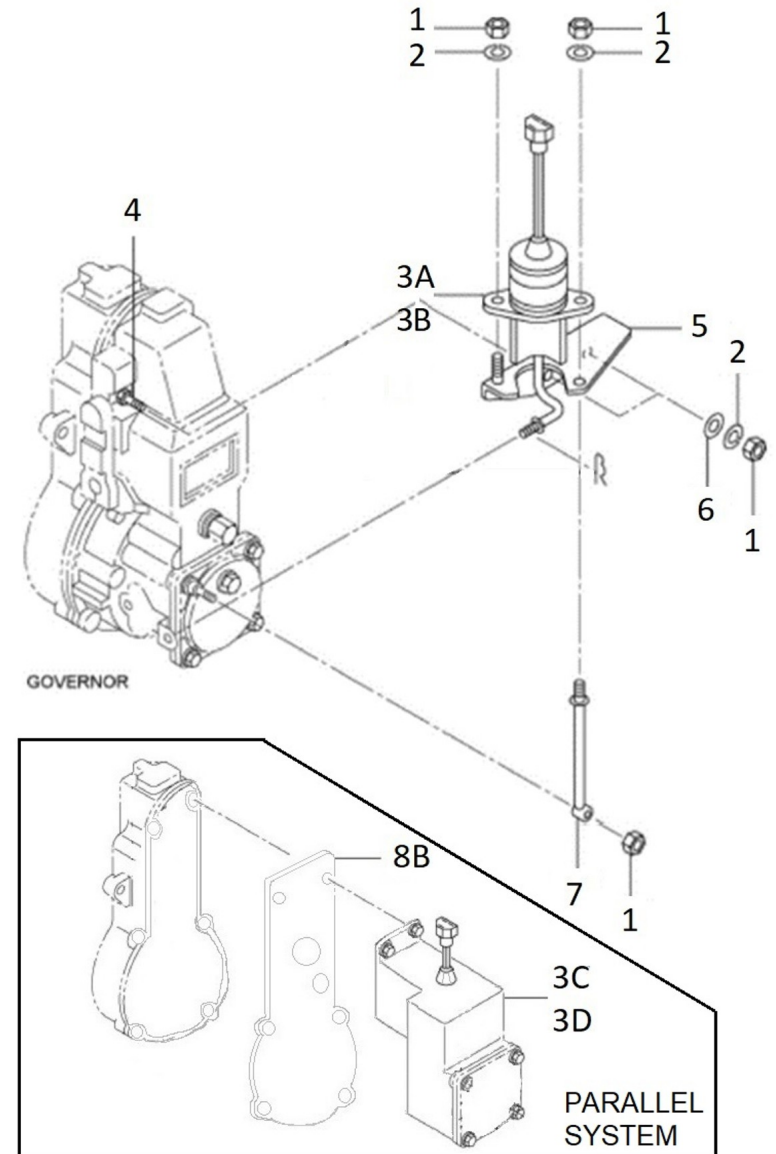
**D GG04 4 2 Injection Nozzle**

Fig.	Ref.	Qty.	Descr.	Obs	From	UpTo
1	13826001	4	Nozzle & Holder A			
2	17426003	4	Fuel Injector			
2A	13826002	4	Body Assy			
2B	13826003	4	Pin Pressure			
2C	17226004	4	Spring, Pressure			
2D	17426006	4	Nut			
2E	13826007	4	PIECE DISTANCE			
2FA	13826010	4	Washer 1,25			
2FB	13821029	4	Pipe Intake			
2FC	13826012	4	Washer 1,35			
2FD	13826013	4	Washer 1,40			
2FE	13826014	4	Washer 1,45			
2FF	13826015	4	Washer 1,50			
2FG	13826016	4	Washer 1,55			
2FH	13826017	4	Washer 1,60			
2FI	13826019	4	Washer 1,65			
2FJ	13826020	4	Washer 1,70			
3	13826018	4	Nozzle Assy			



**D MI74GSTDN 04 3 Governor Parts**

Fig.	Ref.	Qty.	Descr.	Obs	From	UpTo
1	17223032	5	Nut			
2	53033006	4	Washer GROWER DIN 127-6			
3A	17424025G	1	Solenoid			
Figure A for 12V System						
3B	17425264.2	1	Solenoid 24V			
Figure b for 24V System						
3C	60972516	1	G.A.C 175 Series 12V Integrated Actuator			
Figure C for Parallel System 12V						
3D	60972520	1	G.A.C. 175 Series 24V Integrated Actuat.			
Figure D for Parallel System 24V						
4	17427003G	2	Rod,Solenoid			
5	17427005G	1	Bracket			
6	51030006	2	Washer DIN 125-6			
7	17427006G	1	ROD,Support			
8B	60972518	1	Assembly kit for 175 series actuator			
Figure b for Parallel System						




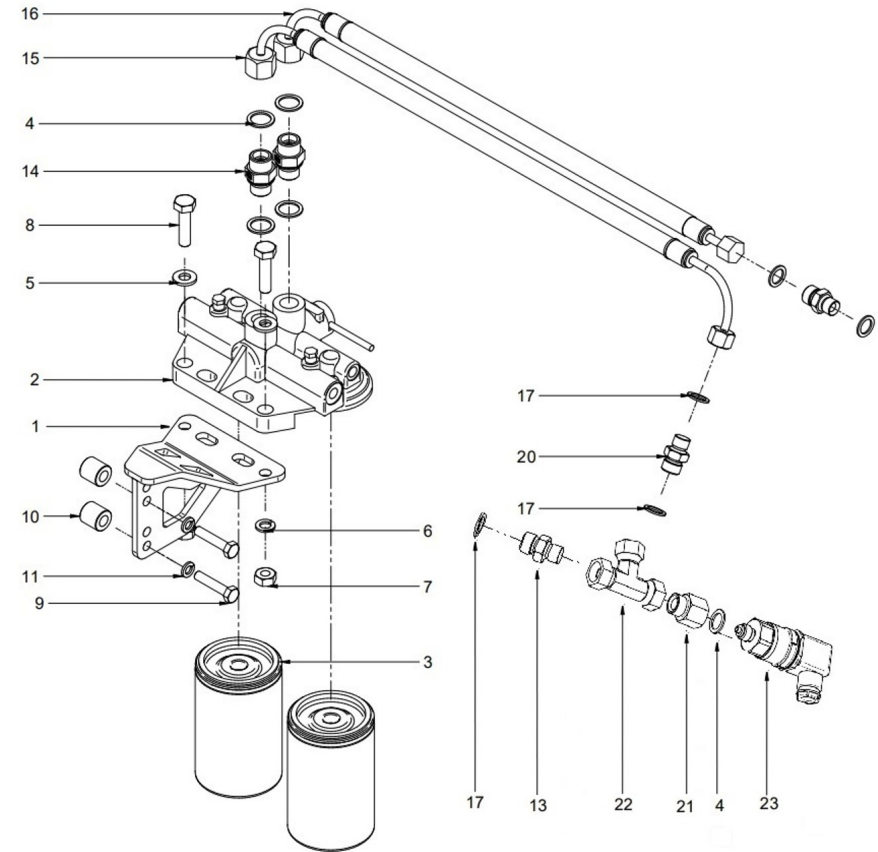
**Genset 29 GS/GSC & 32 GSA/GSAC TAC**

**Fuel System**

**D 17414000DNV**

**Kit 2nd Fuel Filter (Without Cabin) TAC**

Fig.	Ref.	Qty.	Descr.	Obs	From	UpTo
1	17414003	1	Bracket 2nd Filter			
2	17414002	1	Bracket			
3	19424022	2	Fuel Filter Element SDZ-165/205/280			
4	57000378	4	Washer 18-24-1,5			
5	51030010	4	Washer DIN 125-10			
6	53033010	4	Washer GROWER DIN 127-10			
7	52120010	2	Nut DIN 934 M10 8.8			
8	52101312	2	Bolt DIN 931 M10-45 8.8			
9	52101261	2	Bolt DIN 931 M8-40 8.8			
10	19117014	2	Spacer 10,5X20X20			
11	53033008	2	Washer GROWER DIN 127-8			
13	19414024	2	Fitting Adapter Male 3/8" to M14x1.5			
14	19414039	1	Racor Fitting Male M18x150-M20x150			
15	17A14004	1	Fuel Hose DNV			
16	17A14005	1	Fuel Hose DNV			
17	56000069	4	Washer 14-20-1,5			
20	10312013	1	FITTING 3/8		01/01/2025	
21	17A17038	1	Conversion Adapter G3/8 A G1/4		01/01/2025	
22	19414042	1	Female Racord Fitting G 3/8		01/01/2025	
23	60994076	1	Marine Approved Pressure Transmitters		01/01/2025	
NS	52102308	2	Bolt DIN 933 M10-25 8.8			

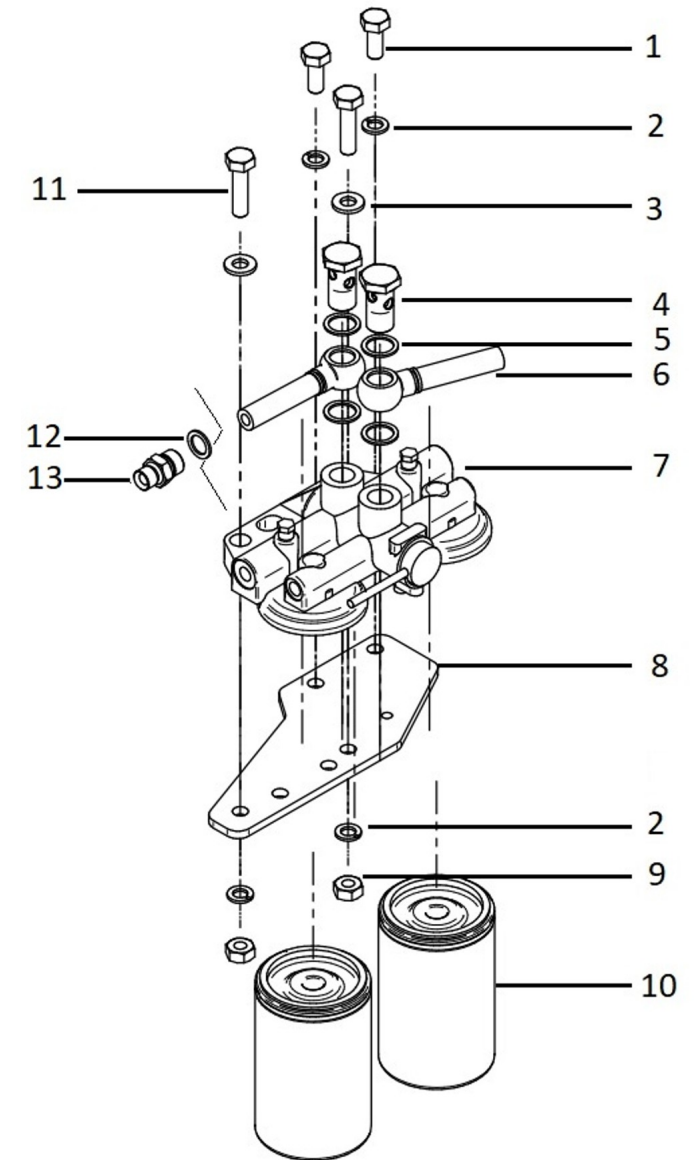




**D 17414000IDNV**

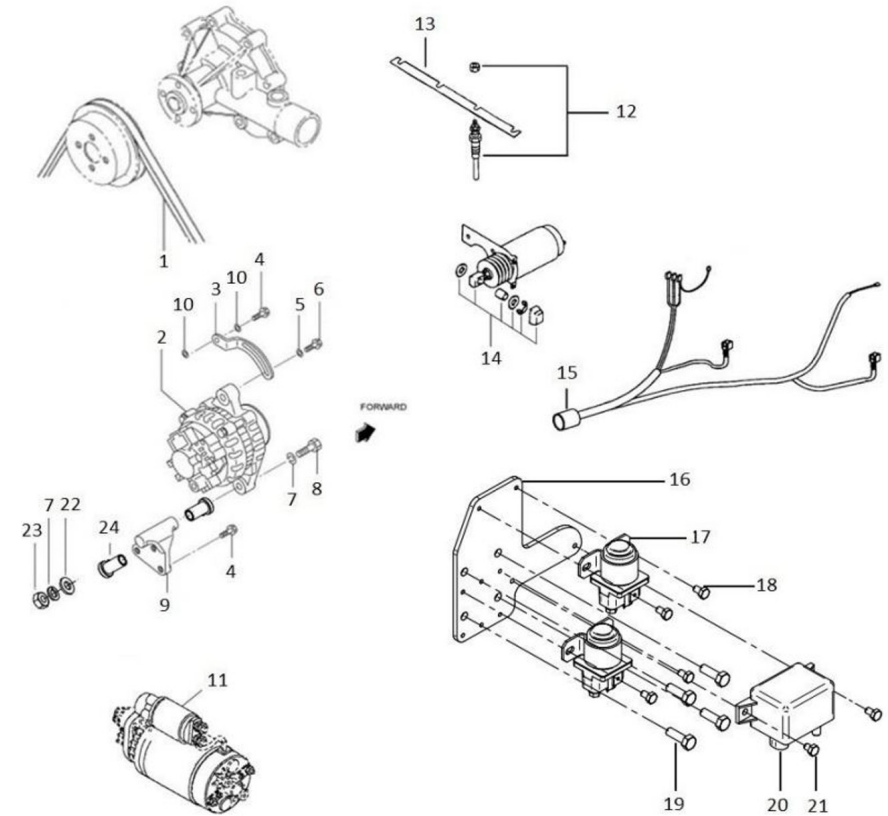
**Kit 2nd Fuel Filter (Cabin)**

<i>Fig.</i>	<i>Ref.</i>	<i>Qty.</i>	<i>Descr.</i>	<i>Obs</i>	<i>From</i>	<i>UpTo</i>
1	52102308	2	Bolt DIN 933 M10-25 8.8			
2	53033010	4	Washer GROWER DIN 127-10			
3	51030010	2	Washer DIN 125-10			
4	19414039	2	Racor Fitting Male M18x150-M20x150			
5	57000378	2	Washer 18-24-1,5			
6	17A14004	2	Fuel Hose DNV			
7	17414002	1	Bracket			
8	17414003I	1	Bracket 2nd Filter			
9	52120010	2	Nut DIN 934 M10 8.8			
10	19424022	2	Fuel Filter Element SDZ-165/205/280			
11	52101311	2	Bolt DIN 931 M10-40 8.8			
12	56000069	2	Washer 14-20-1,5			
13	19414024	2	Fitting Adapter Male 3/8" to M14x1.5			



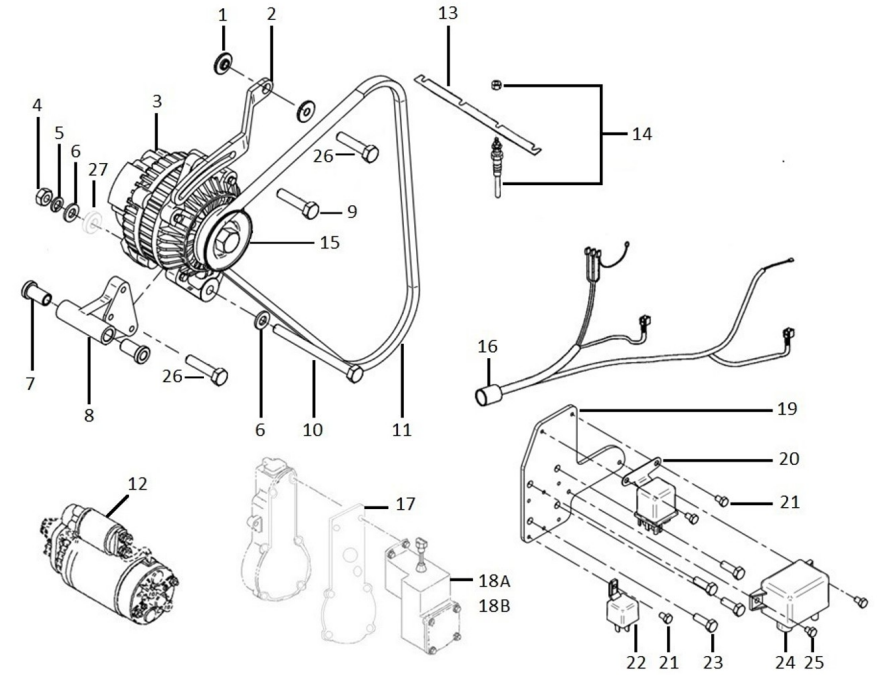
**D MI74GSTDN 05 1 Electrical System 12V**

Fig.	Ref.	Qty.	Descr.	Obs	From	UpTo
1	17430010	1	Belt			
2	17427011G	1	Alternator 12V/50A			
3	17427007G.2	1	Plate, Adjusting Generator - 2-PoleS			
4	17425036	2	Bolt, Flange			
5	17331008	1	Washer			
6	13827012	1	Bolt			
7	53033010	2	Washer GROWER DIN 127-10			
8	52101325	1	Bolt DIN 931 M10-120 8.8			
9	17427002G.1	1	Alternator Bracket, Earth Isolated			
10	17117012	2	Tensor Bakelite Bushing			
11	17427001G	1	Starter Assy 12 V			
12	17127017	4	Plug, glow			
13	17427018	1	Plate Glow Plug			
14A	17424025G	1	Solenoid			
Figure A for Standard System						
14B	60972516	1	G.A.C 175 Series 12V Integrated Actuator			
Figure b for Parallel System						
15A	60974217	1	Elect. Inst. G. MINI-74 DNV			
Figure A for Standard System						
15B	60974216	1	Elect. Inst. G. MINI-74 DNV Prep. Paral.			
Figure b for Parallel System						
16	17417033	1	Support, Relay			
17	17527005	2	Relay 12V 200A			
18	52102154	4	Bolt DIN 933 M6-10 8.8			
19	52102258	4	Bolt DIN 933 M8-25 8.8			
20	19017113	1	Relay 12V Earth Isolated Nagares			
21	52102153	2	Bolt DIN 933 M6-8 8.8			
22	51030010	2	Washer DIN 125-10			
23	52120010	1	Nut DIN 934 M10 8.8			
24	17117011	2	Bracket Bakelite Bushing			
NS	60900956	1	10k ohm Resistor			



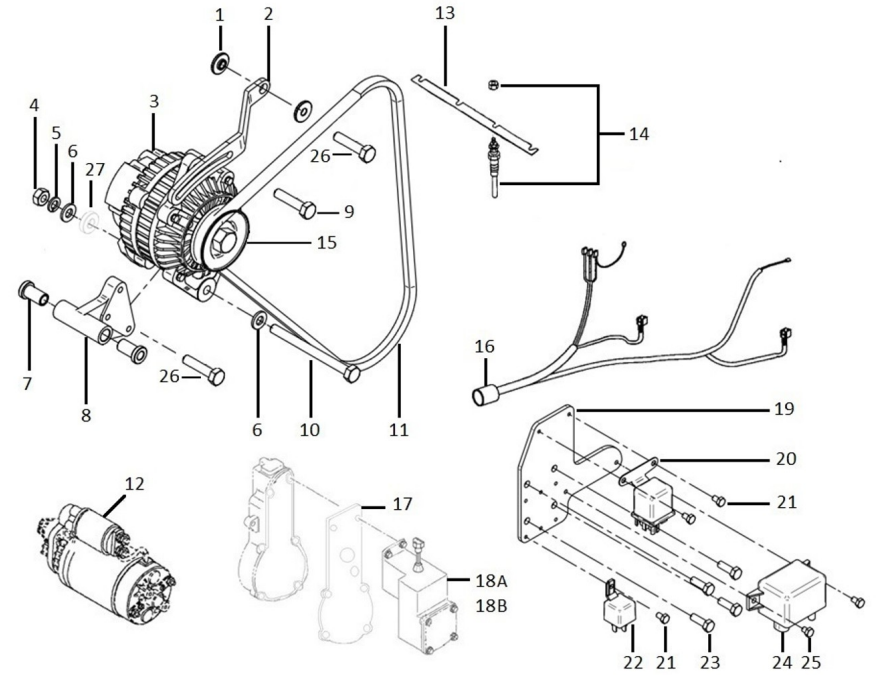
**D MI74GSTDN 05 2 Electrical System 24V**

Fig.	Ref.	Qty.	Descr.	Obs	From	UpTo
1	17117012	2	Tensor Bakelite Bushing			
2	17427007G.2	1	Plate, Adjusting Generator - 2-PoleS			
3	17417024	1	Alternator 28V/55A			
4	52120010	1	Nut DIN 934 M10 8.8			
5	53033010	1	Washer GROWER DIN 127-10			
6	51030010	2	Washer DIN 125-10			
7	17117011	2	Bracket Bakelite Bushing			
8	17427002G.1	1	Alternator Bracket, Earth Isolated			
9	13827012	1	Bolt			
10	52101325	1	Bolt DIN 931 M10-120 8.8			
11	17430010	1	Belt			
12	17527001.2	1	Starter Assy 24V			
13	17427018	1	Plate Glow Plug			
14	17527017.2	4	Glow Plug 24V			
15	17417020	1	Pulley Alternator			
16A	60974217	1	Elect. Inst. G. MINI-74 DNV			
	Figure A for Standard System					
16B	60974216	1	Elect. Inst. G. MINI-74 DNV Prep. Paral.			
	Figure b for Parallel System					
17	60972518	1	Assembly kit for 175 series actuator			
18A	17425264.2	1	Solenoid 24V			
	Figure A for Standard System					
18B	60972520	1	G.A.C. 175 Series 24V Integrated Actuat.			
	Figure b for Parallel System					
19	17417033	1	Support, Relay			
20	17527006	1	Glow Relay 24V			
21	52102154	3	Bolt DIN 933 M6-10 8.8			
22	17417005	1	Relay 24V 24-100			
23	52102258	1	Bolt DIN 933 M8-25 8.8			
24	19017113	1	Relay 12V Earth Isolated Nagares			
25	52102153	2	Bolt DIN 933 M6-8 8.8			



**D MI74GSTDN 05 2 Electrical System 24V**




Fig.	Ref.	Qty.	Descr.	Obs	From	UpTo
26	17425036	2	Bolt,Flange			
27	17617006	1	Spacer 6,5X12X5			
NS	60900956	1	10k ohm Resistor			

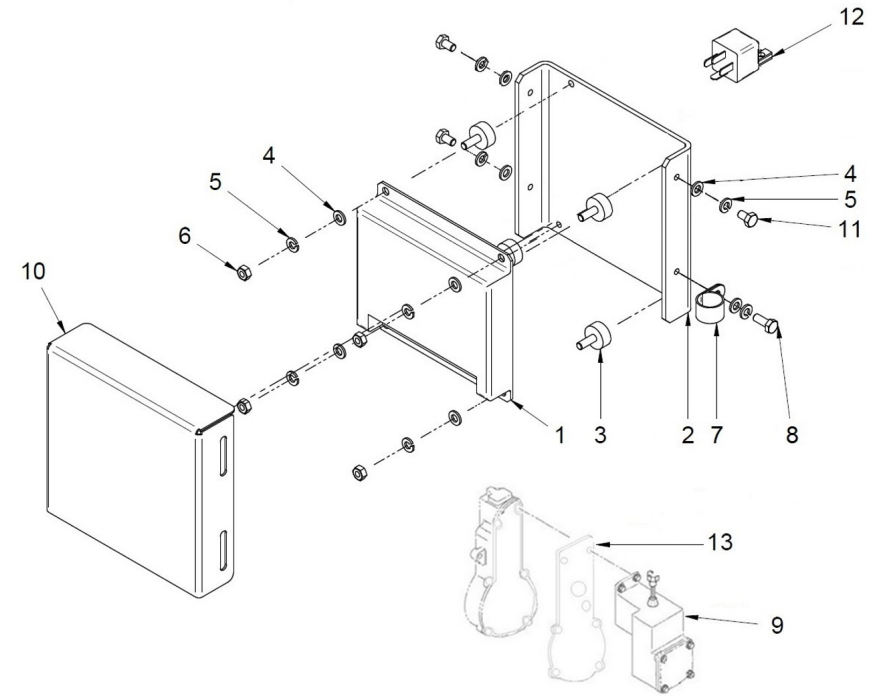


**Genset 29 GS/GSC & 32 GSA/GSAC TAC**






**Electrical System**

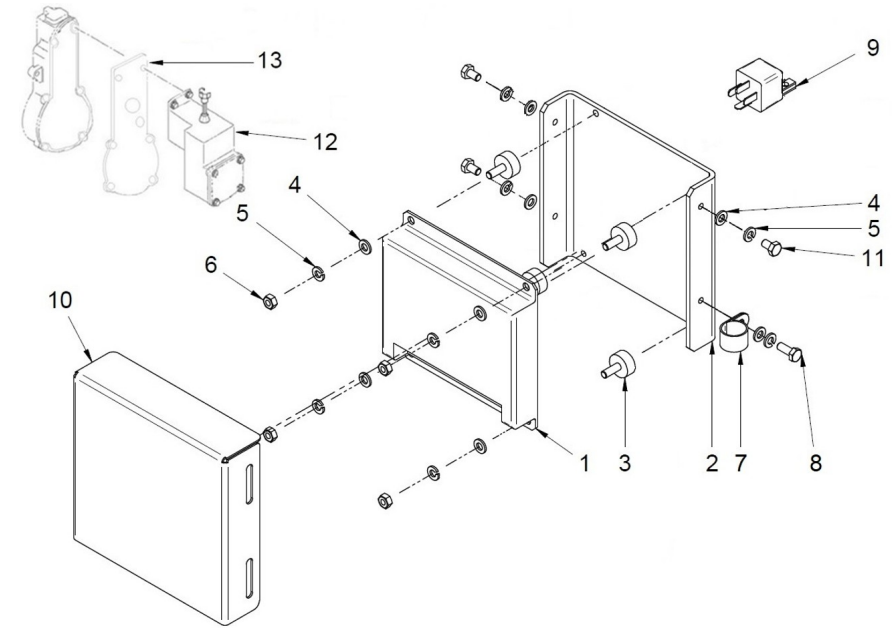
**D 60971606 Electronic Gov. Control System 12V**

Fig.	Ref.	Qty.	Descr.	Obs	From	UpTo
1	60972521	1	Speed Control Unit G.A.C. ESD-5500 Ser.			
2	17317007	1	Electronic Unit Bracket			
3	17A14009	4	Anti Vibration Mount M6			
4	51030006	8	Washer DIN 125-6			
5	53033006	8	Washer GROWER DIN 127-6			
6	52120006	4	Nut DIN 934 M6 8.8			
7	59071224	1	Clamp RSGU 1 22/15 W1			15/11/2023
7	59071324	1	Clamp RSGU 1 32/15 W1		15/11/2023	
8	52102156	1	Bolt DIN 933 M6-16 8.8			
9	60972516	1	G.A.C 175 Series 12V Integrated Actuator			
10	17317008	1	Parallel electronic unit cover			
11	52102154	3	Bolt DIN 933 M6-10 8.8			
12	63900028	1	Relay 12V 40/15A NO+NC with Diode			
13	60972518	1	Assembly kit for 175 series actuator			
NS	58088284	1	Pastic Cable Zip Tie			
NS	60972517	1	Connector for actuator Packard type			
NS	60974223DNV	1	Auxiliary Installation Electronic Gov. TAC Genset			



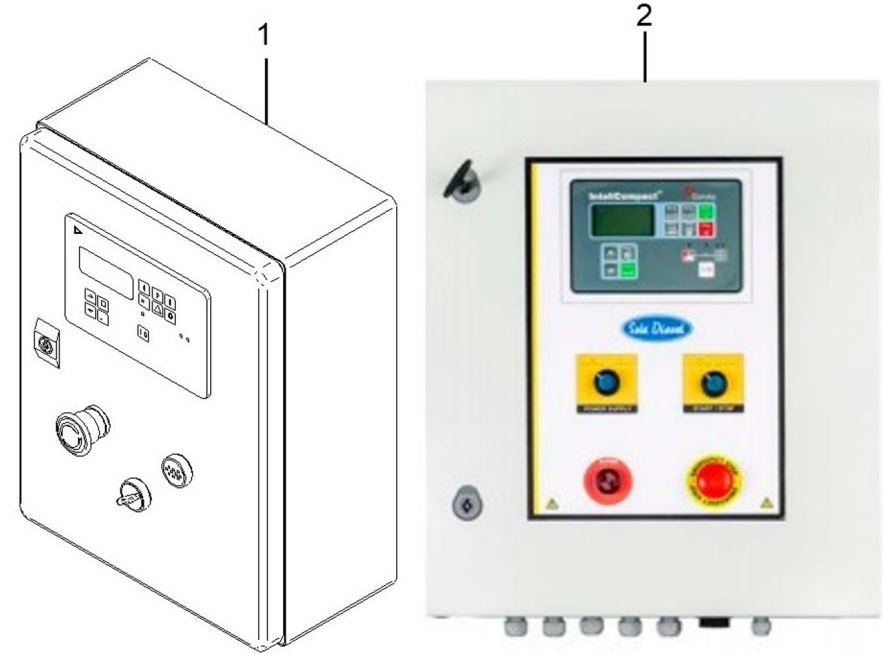
**D 60971532 Electronic Gov. Control System 24V**

Fig.	Ref.	Qty.	Descr.	Obs	From	UpTo
1	60972521	1	Speed Control Unit G.A.C. ESD-5500 Ser.			
2	17317007	1	Electronic Unit Bracket			
3	17A14009	4	Anti Vibration Mount M6			
4	51030006	8	Washer DIN 125-6			
5	53033006	8	Washer GROWER DIN 127-6			
6	52120006	4	Nut DIN 934 M6 8.8			
7	59071224	1	Clamp RSGU 1 22/15 W1			15/11/2023
7	59071324	1	Clamp RSGU 1 32/15 W1		15/11/2023	
8	52102156	1	Bolt DIN 933 M6-16 8.8			
9	63900029	1	Relay 24V 22/10A NO+NC with Diode			
10	17317008	1	Parallel electronic unit cover			
11	52102154	3	Bolt DIN 933 M6-10 8.8			
12	60972520	1	G.A.C. 175 Series 24V Integrated Actuat.			
13	60972518	1	Assembly kit for 175 series actuator			
NS	17420007G.3M	1	Flyweel Housing Pickup			
NS	17420025	1	Gasket,Rear			
NS	60972517	1	Connector for actuator Packard type			
NS	60972519	2	Magnetic Speed Sensor			
NS	60974223DNV	1	Auxiliary Installation Electronic Gov. TAC Genset			



**D MI74GSTDN 05 4 Control and Power Cabinets**

<i>Fig.</i>	<i>Ref.</i>	<i>Qty.</i>	<i>Descr.</i>	<i>Obs</i>	<i>From</i>	<i>UpTo</i>
1C	6097A215	2	Box CO 40 17/25/35/45/50/68 GT TAC 12V			
1C	6097A217	1	Box CO 40 17/25/35/45/50/68 GT TAC 12V Prep.Par.			
1D	6097A219	1	Box CO 40 17/25/35/45/50/68 GT TAC 24V Prep.Par.			
1D	6097A220	2	Box CO 40 17/25/35/45/50/68 GT TAC 24V			
2A	60974719	1	Parallel Kit 29 GS 230V TAC Control 12V			
2B	60971720	1	Parallel Kit 29 GS 230V TAC Control 24V			
2C	60971725	1	Parallel Kit 32 GSA 240V TAC Control 12V			
2D	60971726	1	Parallel Kit 32 GSA 240V TAC Control 24V			
2E	60974727	1	Parallel Kit 35 GT 230V TAC Control 12V			
2F	60974728	1	Parallel Kit 35 GT 230V TAC Control 24V			
2G	60974729	1	Parallel Kit 35 GT 400/230V TAC Control 12V			
2H	60974730	1	Parallel Kit 35 GT 400/230V TAC Control 24V			
2I	60971732	1	Parallel Kit 40 GTA 240V TAC Control 12V			
2J	60971731	1	Parallel Kit 40 GTA 240V TAC Control 24V			
2K	60971733	1	Parallel Kit 40 GTA 480/277V TAC Control 12V			
2L	60971734	1	Parallel Kit 40 GTA 480/277V TAC Control 24V			





**D 1138T**                      **Genset Extension TAC**

<i>Fig.</i>	<i>Ref.</i>	<i>Qty.</i>	<i>Descr.</i>	<i>Obs</i>	<i>From</i>	<i>UpTo</i>
1A	6097A216	1	Wiring Extension Genset TAC 6 M.			
1B	6097A218	1	Wiring Extension TAC Genset 12 M. CPC 37 V.			
1C	60974552	1	3-way Wiring Wxtension for Auxilliary Kits 4 m			
1D	60900165	1	3-way Wiring Extension for Auxilliary Kits 6 m			
1F	60900166	1	3-way Wiring Extension for Auxilliary Kits 12 m			
1G	60900167	1	3-way Wiring Extension for Auxilliary Kits 24 m			
1H	60972104	1	Double Panel SCO 12 M. Harness			
1I	60972105	1	Double Panel SCO 24 M. Harness			
1J	60972110	1	Double Panel SCO 36 M. Harness			
1K	60974227.12	1	AVR External Control Cable 12m.			
1L	60974228.12	1	ECU External Control Cable 12m.			
1M	60974227.24	1	AVR External Control Cable 24m.			
1N	60974228.24	1	ECU External Control Cable 24m.			



**D MI74GSST 06 1**

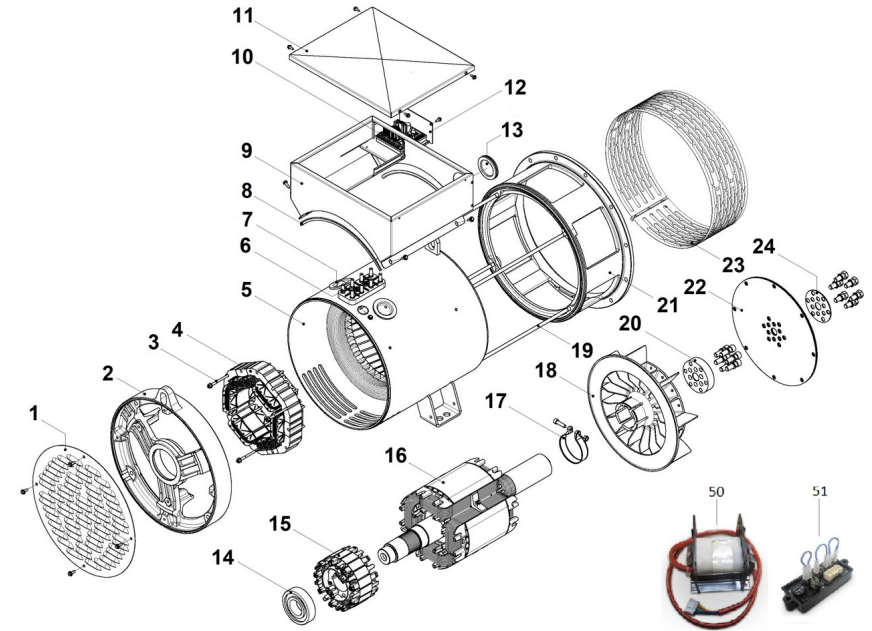
**Alternator 29 GS/GSC Y 32 GSA/GSAC**

<i>Fig.</i>	<i>Ref.</i>	<i>Qty.</i>	<i>Descr.</i>	<i>Obs</i>	<i>From</i>	<i>UpTo</i>
1A	605111040ZI2R	1	Alt.MECC.ALTE I 33 KVA 230V C-TYPE (R)			
1B	605111033PI2R	1	Alt.MECC.ALTE I 33 KVA 230V C-TYPE P (R)			
1C	605121040ZI3R	1	Alt.MECC.ALTE I 40 KVA 240V C-TYPE (R)			
1D	605121040PI3R	1	Alt.MECC.ALTE I 40 KVA 240V C-TYPE P (R)			
1E	605111033ZI3RCTC	1	Subst. Alt. MECC. Type B For Type C I 33KVA 1500 50H			
1F	605121040ZI2RCTC	1	Subst. Alt. MECC. Type B For Type C I 40KVA 1800 240			



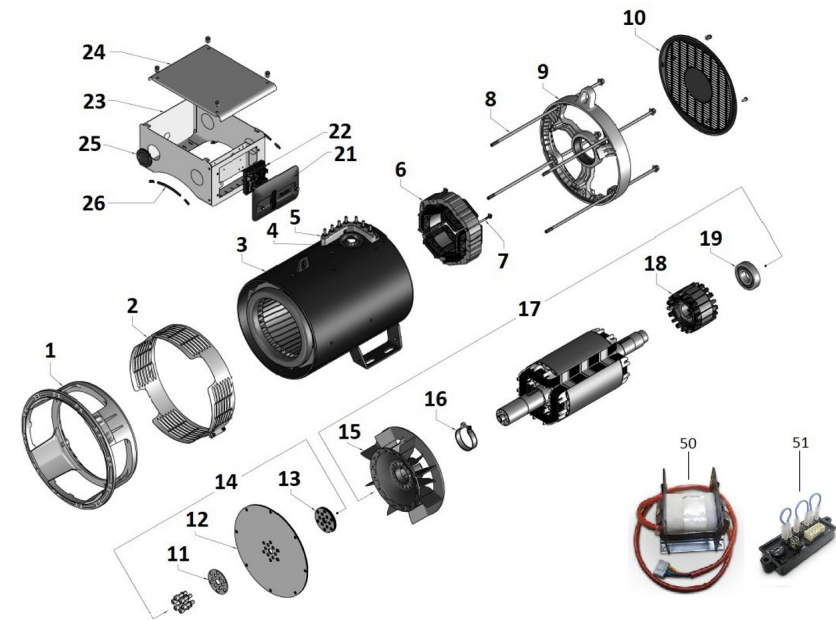
**D 60511033Z3** Alternator Spare Parts 29 GS Y 32GSA TYPE B Up To 29/12/2021

Fig.	Ref.	Qty.	Descr.	Obs	From	UpTo
1	605113050Z4.1	1	Rear Seal			
2	605113050Z4.2	1	Non Drive End Bracket			
3	605113050Z4.3	2	Exciter Stay Bolt H-45 (S, M)			
4	605113050Z4.4	1	Exciter Stator H-45 6P			
5	605113050Z4.5	1	Frame and Stator 1M			
6	605113050Z4.6	1	Terminal Board 8 pin			
7	605113050Z4.7	1	Cable Grommet			
8	605113050Z4.8	2	PVC Rubber Profile			
9	605113050Z4.9	1	Terminal Box (Not Painted)			
10	60500023.1	1	Electronic Regulator DSR			
11	605113050Z4.10	1	Terminal Box Lid (Not Painted)			
12	605113050Z4.11	1	Regulator Holding Panel (Not Bainted)			
13	605113050Z4.12	1	Cable Grommet			
14	605113050Z4.13	1	Rear Bearing 6309-2RS C3			
15	605113050Z4.14	1	Exciter Armature H-45 6P			
16	605113050Z4.15	1	Rotor Assy 1M, MD35			
17	605113050Z4.16	1	Clamp			
18	605113050Z4.17	1	Plastic Fan			
19	605113050Z4.18	1	Cover Stay Bolt 32 M			
20	605113050Z4.19	1	Ring Spacer Vol. 8 - 10			
21	605113050Z4.20	1	Drive end bracket MD35/3			
22	605113050Z4.21	1	Kit Coupling Disc Plates SAE 11,5			
23	605113050Z4.22	1	Protection Screen MD35			
24	605113050Z4.23	1	Disc Bloking Ring-Spacer			
50	60511386P	1	PD500 Parallel Device			
51	60511387P	1	PD-I Parallel Device			
NS	605113050Z4.24	1	Kit Terminal Box Painted (2+20+75b+98+17			
NS	605113050Z4.25	1	Kit USB2DxR			
NS	60511320.1.11	1	Diode			



**D 605113050ZI6 Alternator Spare Parts TYPE C From 30/12/2021**


Fig.	Ref.	Qty.	Descr.	Obs	From	UpTo
1	605113050ZI6.1	1	Drive End Bracket			
2	605113050ZI6.2	1	Protection Screen			
3	605113050ZI6.3	1	Frame and Stator			
4	605113050ZI6.4	1	Cable Grommet diam. 70 mm			
5	605113050ZI6.13	1	Kit Terminal Board 7			
6	605113050Z4.4	1	Exciter Stator H-45 6P			
7	605113050ZI6.6	1	Exciter Stay Bolt H-45			
8	605113050ZI6.7	1	Cover Stay Bolt			
9	605113075ZI2.3	1	Non Drive end Bracket			
10	605113050ZI6.9	1	Rear Seal			
11	605113050Z4.23	1	Disc Bloking Ring-Spacer			
12	605113050ZI6.10	1	Disc SAE 11,5			
13	605113050Z4.19	1	Ring Spacer Vol. 8 - 10			
14	605113050Z4.21	1	Kit Coupling Disc Plates SAE 11,5			
15	605113050Z4.17	1	Plastic Fan			
16	605113050Z4.16	1	Clamp			
17	605113050ZI6.11	1	Rotor Assy			
18	605113050ZI6.12	1	Exciter Armature H-45 6P (+ Diodes T30)			
19	605113050Z4.13	1	Rear Bearing 6309-2RS C3			
21	M9909505310	1	Regulator Cap			
22	60500023.1	1	Electronic Regulator DSR			
23	M7510603373	1	Terminal Box			
24	M9903910114	1	Terminal Box Lid			
25	605113050Z4.12	1	Cable Grommet			
26	19620078	1	Rubber Profile EPDM 0,54m			
50	60511386P	1	PD500 Parallel Device			
51	60511387P	1	PD-I Parallel Device			

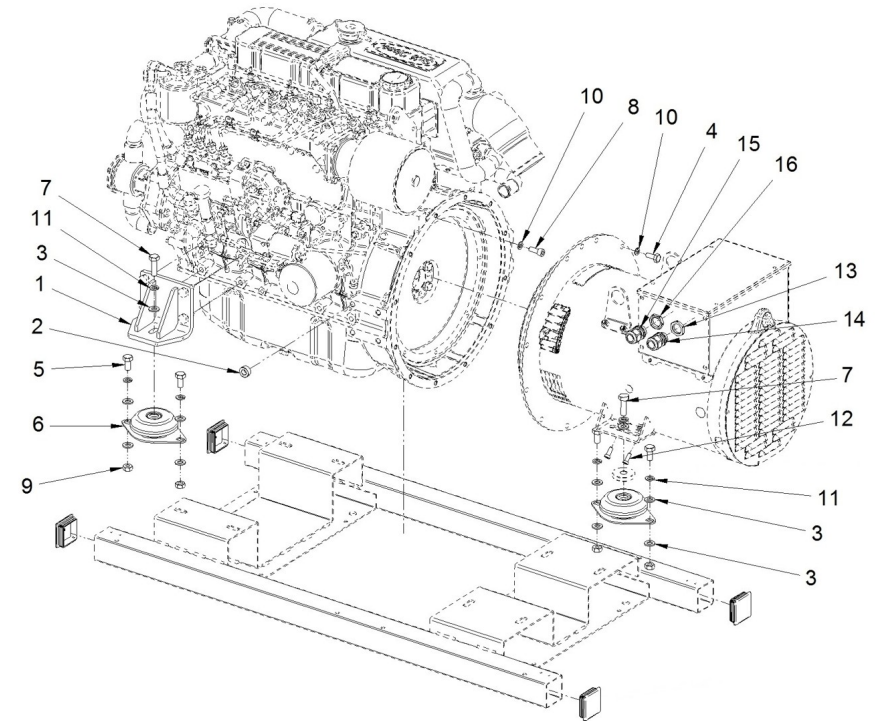


**Genset 29 GS/GSC & 32 GSA/GSAC TAC**

**Genset Alternator Kit**

**D 60574068 Alternator Kit Without Cabin**









Fig.	Ref.	Qty.	Descr.	Obs	From	UpTo
1	17410001G	2	Support ANTERIUER			
2	19414022	1	Spacer 13X25X10			
3	51030012	20	Washer DIN 125-12			
4	52102308	12	Bolt DIN 933 M10-25 8.8			
5	52102358	8	Bolt DIN 933 M12-25 8.8			
6	61674002	4	Engine Mount Type F 35 SHA M12 H 41			
6	61674006	4	Engine Mount Type F BRB 110 A40 SHA M12 H 41		14/04/2023	
7	52102361	4	Bolt DIN 933 M12-40 8.8			
8	52103308	8	Bolt DIN 912 M10-25 8.8			
9	52120012	8	Nut DIN 934 M12 8.8			
10	53033010	20	Washer GROWER DIN 127-10			
11	53033012	8	Washer Grower DIN 127-12			
12	53104257	4	Bolt DIN 7984 M8-20 12.9			
13	60900311	1	Screw Connector Press Captor-2000 M32			
14	60900310	1	Connector Press CAPTOR-2000 M32 RAL7001			
15	60900306	1	Connector Press CAPTOR-2000 M25 RAL7001			
16	60900309	1	Screw Connector Press Captor-2000 M25			
NS	58088284	4	Pastic Cable Zip Tie			

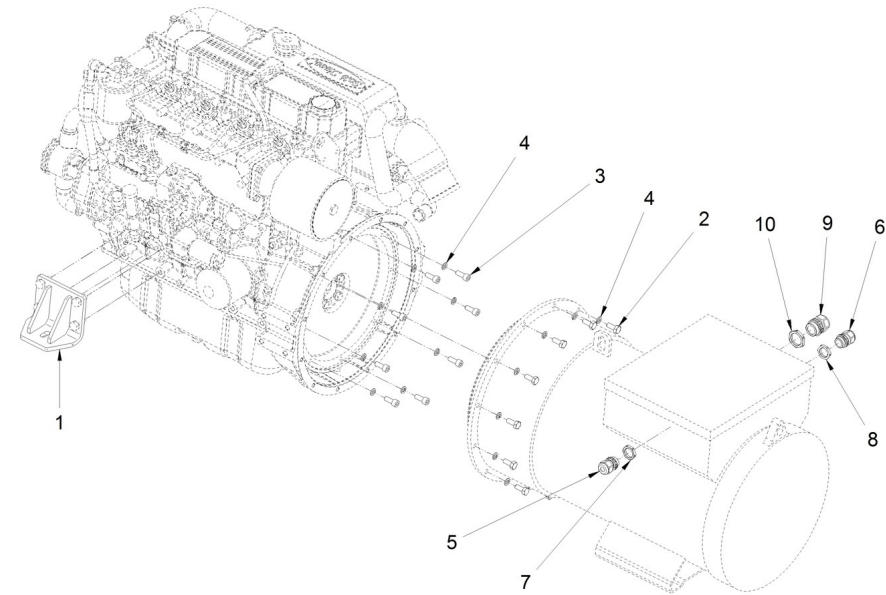


**Genset 29 GS/GSC & 32 GSA/GSAC TAC**

**Genset Alternator Kit**

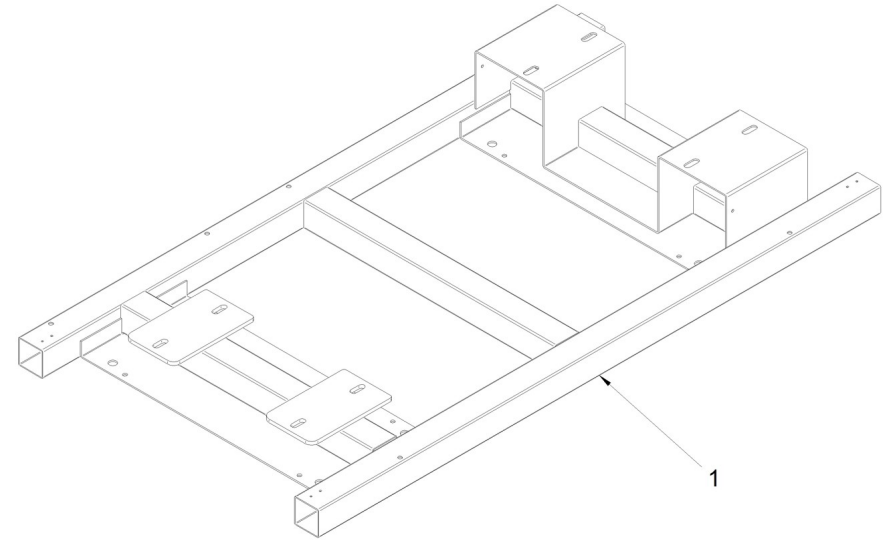
**D 60574064 Alternator Kit With Cabin**

Fig.	Ref.	Qty.	Descr.	Obs	From	UpTo
1	17410001G	2	Support ANTERIUER			
2	52102308	12	Bolt DIN 933 M10-25 8.8			
3	52103308	8	Bolt DIN 912 M10-25 8.8			
4	53033010	20	Washer GROWER DIN 127-10			
5	60900304	1	Coneector Press PA Grey IP68 M16			
6	60900306	1	Connector Press CAPTOR-2000 M25 RAL7001			
7	60900307	1	Screw Connector Press PA Grey IP68 M16			
8	60900309	1	Screw Connector Press Captor-2000 M25			
9	60900310	1	Connector Press CAPTOR-2000 M32 RAL7001			29/09/2022
9	60900313	1	Cable Gland Captor-2000 PG29		29/09/2022	
10	60900311	1	Screw Connector Press Captor-2000 M32			29/09/2022
10	60900314	1	Hexagonal Locknut Captor-2000 PG29		29/09/2022	
NS	19414022	1	Spacer 13X25X10			
NS	60900510	1	Emergency Stop PUSH BOTTOM			
NS	60900511	1	Stop PUSH BOTTOM Body			
NS	60974073M	1	V Breaker BROWN SEC.35 TO SYStem ALT.			
NS	60974073N	1	U Breaker BLACK SEC. 35 TO MAGNETO			
NS	60974075	1	Fan Installation			08/10/2017
NS	60974076	1	Kit Fan Installation		09/10/2017	
NS	60974086	1	TWO PoleS 125A Disconnecter			



**D 60574055.01 Chassis**

<i>Fig.</i>	<i>Ref.</i>	<i>Qty.</i>	<i>Descr.</i>	<i>Obs</i>	<i>From</i>	<i>UpTo</i>
1	60574055.01	1	Genset Chassis			




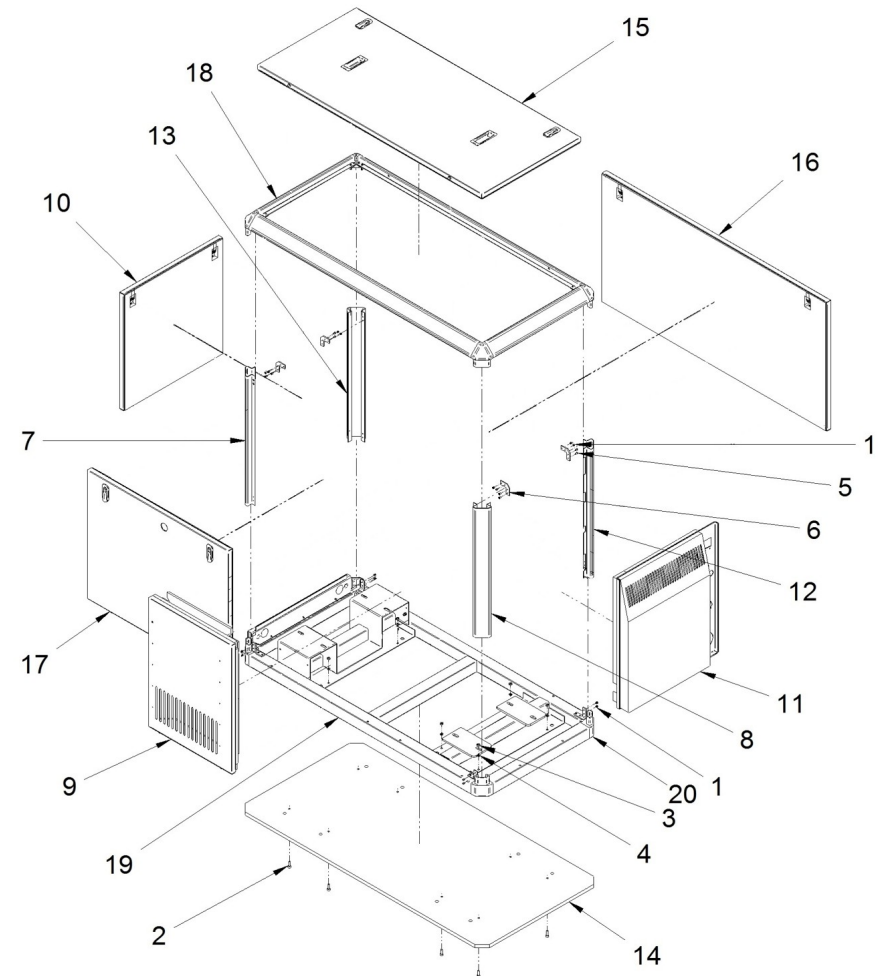


**Genset 29 GS/GSC & 32 GSA/GSAC TAC**

**Canopy Spare Parts**

**D MI74GSDN 09 1 Mecc Alte Alternator Type B Cabin**

Fig.	Ref.	Qty.	Descr.	Obs	From	UpTo
1	51058054	16	Aluminium Rivet 4.0 X 10			
2	52103258	8	Bolt DIN 912 M8-25 8.8			
3	52120008	8	Nut DIN 934 M8 8.8			
4	53033008	8	Washer GROWER DIN 127-8			
5	53105104	8	Bolt DIN 7991 M5-10 12.9			
5	53105105	8	Bolt DIN 965 M5-10 7n			
6	60573041.43	4	L Fastening Bracket			
7	60574054.32	1	VERTICAL BAR			
8	60574054.04	1	VERTICAL BAR			
9	60574054.22A	1	Air Output Panel			
10	60574054.24	1	Frontal Panel			
11	60574054.25	1	Back Panel			
12	60574054.31	1	VERTICAL BAR			
13	60574054.03	1	VERTICAL BAR			
14	60574055.10	1	Cabin Base Board			
15	60574055.20	1	Upper Panel			
16	60574055.21	1	Side Panel			
17	60574055.22B	1	Side Panel			
18	60574055.30	1	Upper Frame			
19	60574055.61	1	Bottom Frame			
20	60573045.1	4	Lower Corner genset canopy			
NS	60574055.80	1	Set Of Insulating Cut Pieces			

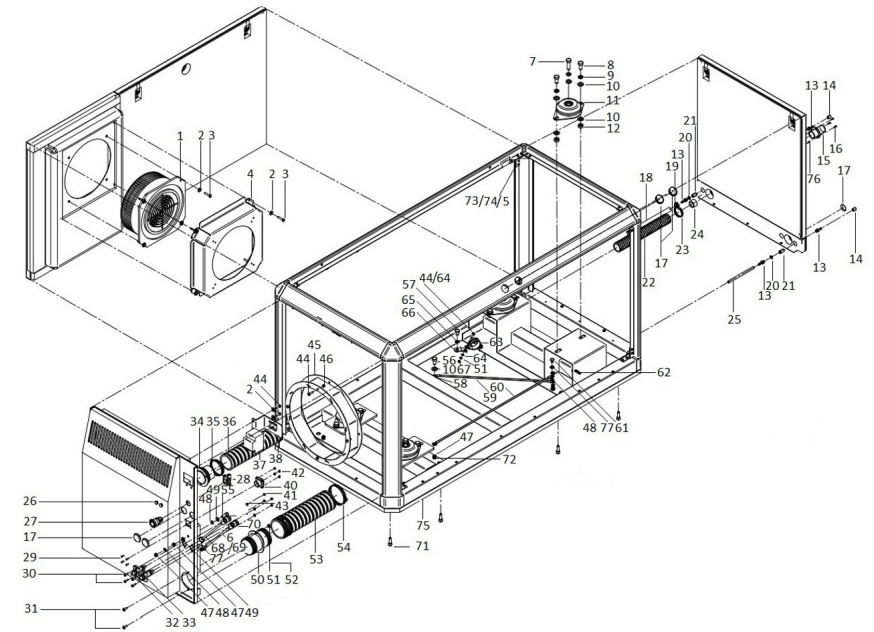


# Genset 29 GS/GSC & 32 GSA/GSAC TAC

## Canopy Spare Parts

### D MI74GSDN 09 2 Cabin Kit

Fig.	Ref.	Qty.	Descr.	Obs	From	UpTo
1	6057B050	1	Centrifugal Fan PSB 230V		01/01/2022	
2	51031006	13	Washer DIN 9021 6			
3	52102159	4	Bolt DIN 933 M6-30 8.8			
4	6057A041.23B	1	Air Outlet Aluminium Sheet Box			
5	51058054	3	Aluminium Rivet 4.0 X 10			
6	60974048	1	0,73 M. BLACK Battery NEGATIVE Wiring			
7	52102361	4	Bolt DIN 933 M12-40 8.8			
8	52102358	4	Bolt DIN 933 M12-25 8.8			
9	53033012	12	Washer Grower DIN 127-12			
10	51030012	21	Washer DIN 125-12			
11	61674002	4	Engine Mount Type F 35 SHA M12 H 41			
11	61674006	4	Engine Mount Type F BRB 110 A40 SHA M12 H 41		14/04/2023	
12	52120012	8	Nut DIN 934 M12 8.8			
13	19414030	3	STRAIGHT COUPLING 3/8			
13	19414031	3	BOLT 3/8			
13	60571041.41	2	Gasoil Wall Bushing D.9 MALE			
14	CAP.FLEXI0077	2	Rubber Cap D. 7.7 X 13			
15	60571015	1	Sea Water Wall PASS			
16	54118054	3	Bolt DIN 7985 M4-10 INOX			
17	60900508	5	Shutter 31			
18	17A14007	1	Fuel Hose DNV			
19	51086015	2	One Ear Clamp With Interior Ring 13-15,3			
20	57000361	2	Washer 10-14-1,5			
21	60573041.39	1	ROD Coupling 1/8 BSP			
22	M88503242	2.0	DNV Water Intake Hose D. 32-42			
23	54082025	2	Clamp DIN 3017 25-40/12 W4			
24	19411024.1	1	Rubber Plug( D. 22)			
25	M80501006	1.0	Hose D.10-6			
26	60900509	2	Shutter 6			
27	60900510	1	Emergency Stop PUSH BOTTOM			
28	60900511	1	Stop PUSH BOTTOM Body			

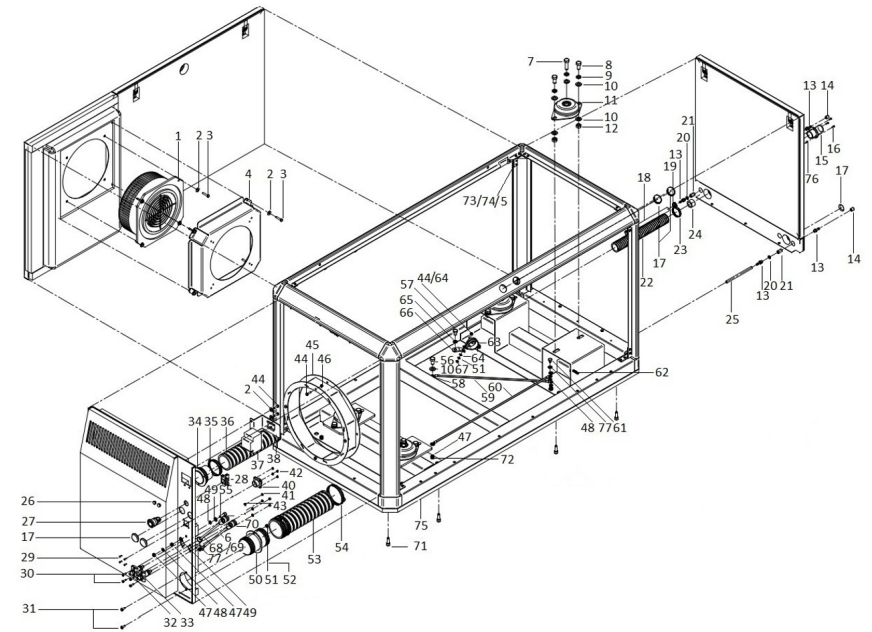


**Genset 29 GS/GSC & 32 GSA/GSAC TAC**

**Canopy Spare Parts**

**D MI74GSDN 09 2 Cabin Kit**

Fig.	Ref.	Qty.	Descr.	Obs	From	UpTo
29	54118004	4	Bolt DIN 7985 M3-10 INOX			
30	54118106	4	Bolt DIN 7985 M5-16 INOX			
31	54118156	2	Bolt DIN 7985 M6-16 INOX			
32	60573048	1	Battery Plug IN			
33	60573047	1	Battery Plug IN			
34	60574054.46	1	D.60 Tube			
35	54083063	2	GP Clamp 63-68 W4 STC		04/03/2024	
35	54083079	2	GP Clamp 68-73 W4 STC			04/03/2024
36	M88506072	1	Exhaust Hose D. 60			04/03/2024
36	M88576300	1	Air Aspiration Hose D. 63		04/03/2024	
37	60974086	1	TWO PoleS 125A Disconnecter			
38	60574043.42	1	Switch Disconnecter Bracket			
40	60974217	1	Elect. Inst. G. MINI-74 DNV			
41	52120005	4	Nut DIN 934 M5 8.8			
42	52120003	4	Nut DIN 934 M3 8.8			
43	51030005	4	Washer DIN 125-5			
44	52102157	10	Bolt DIN 933 M6-20 8.8			
45	60575041.25G	1	Spacer Ring			
46	51123006	4	Nut DIN 985 M6 5.6			
47	52120008	8	Nut DIN 934 M8 8.8			
48	53038008	5	Washer DIN 6798-A 8			
49	54030008	2	Washer DIN 125-8 INOX.			
50	60574024	1	Exhaust Wall PASS 75			
51	53033006	3	Washer GROWER DIN 127-6			
52	54120006	2	Nut DIN 934 M6 INOX			
53	M88507587	1	Exhaust Hose D. 76			
54	54083091	2	GP Clamp 85-91 W4 STC			
55	54103258	1	Bolt DIN 912 M8-25 INOX.			
56	52102357	1	Bolt DIN 933 M12-20 8.8			
57	52102306	1	Bolt DIN 933 M10-15 8.8			
58	53038012	1	Washer DIN 6798-A 12			

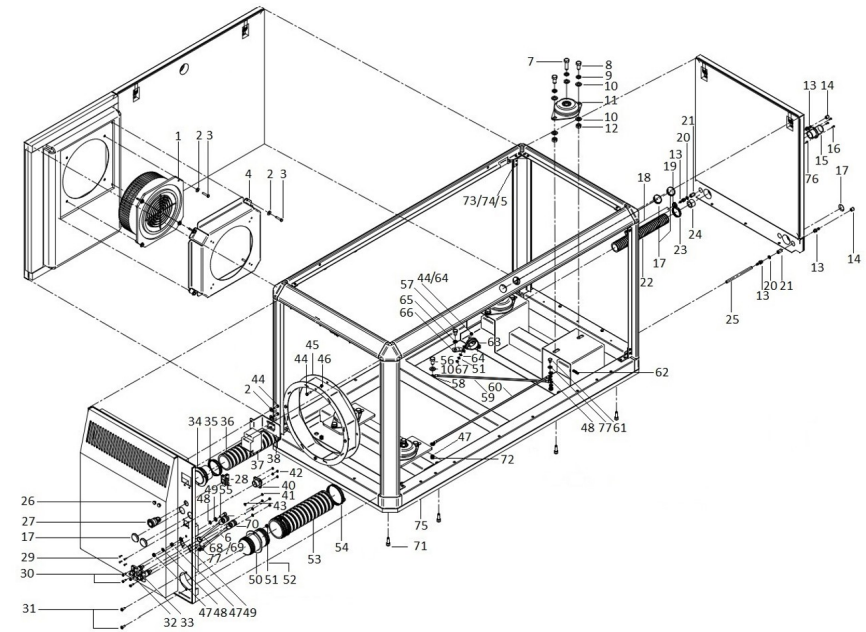


**Genset 29 GS/GSC & 32 GSA/GSAC TAC**

**Canopy Spare Parts**

**D MI74GSDN 09 2 Cabin Kit**





Fig.	Ref.	Qty.	Descr.	Obs	From	UpTo
59	60975073	1	CHASSIS 0,5 M. TO MOTOR Wiring GROUND			
60	60975074	1	Panel Back 0,66 M. Wiring GROUND ALT.			
61	52102254	1	Bolt DIN 933 M8-10 8.8			
62	58018160	3	Screw			
63	59071452	1	Clamp 1 42/15 W1			
64	51030006	4	Washer DIN 125-6			
65	53033010	1	Washer GROWER DIN 127-10			
66	13817011	1	Bracket			
67	52120006	1	Nut DIN 934 M6 8.8			
68	60972094	1	TER. PROTECTIVE 28 RED			
69	60974049	1	RED Battery POSITIVE Wiring			
70	60972091	1	TER. PROTECTIVE 20 BLACK			
71	52103258	8	Bolt DIN 912 M8-25 8.8			
72	53033008	7	Washer GROWER DIN 127-8			
73	53105104	8	Bolt DIN 7991 M5-10 12.9			
73	53105105	8	Bolt DIN 965 M5-10 7n			
74	60573041.43	4	L Fastening Bracket			
75	60574055.10	1	Cabin Base Board			
76	53033005	3	Washer GROWER DIN 127-5			
77	51030008	17	Washer DIN 125-8			
78	60972090	1	TER. PROTECTIVE 20 RED			
NS	19414011	1	Fuel Hose	☒		
NS	51030010	1	Washer DIN 125-10	☒		
NS	52102256	1	Bolt DIN 933 M8-16 8.8	☒		
NS	52102359	4	Bolt DIN 933 M12-30 8.8	☒		
NS	52120004	3	Nut DIN 934 M4 8.8	☒		
NS	53038010	2	Washer DIN 6798-A 10	☒		
NS	54030006	2	Washer DIN 125-6 INOX.	☒		
NS	54082032	2	Clamp DIN 3017 32-50/12 W4	☒		
NS	54120008	2	Nut DIN 934 M8	☒		
NS	58088282	5	Pastic Cable Zip Tie	☒		

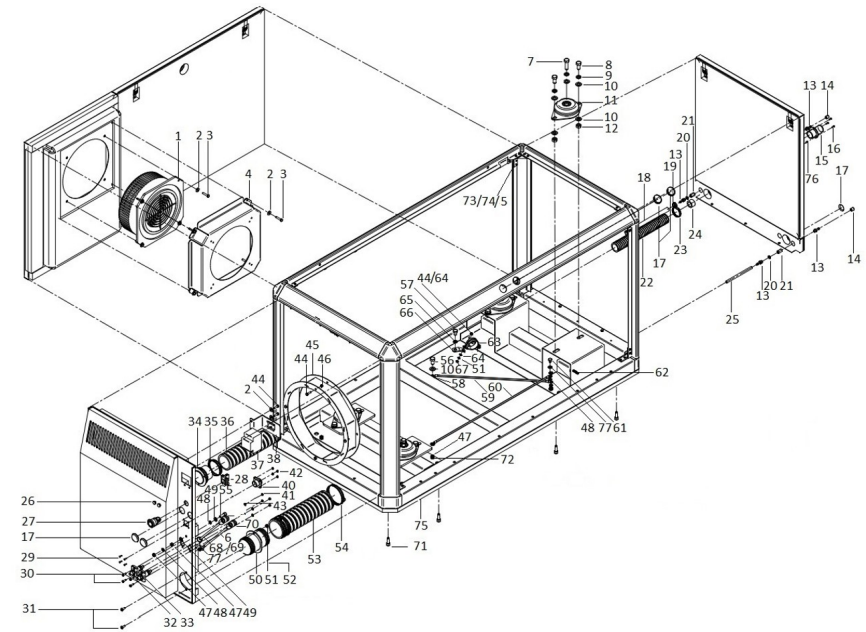


**Genset 29 GS/GSC & 32 GSA/GSAC TAC**

**Canopy Spare Parts**

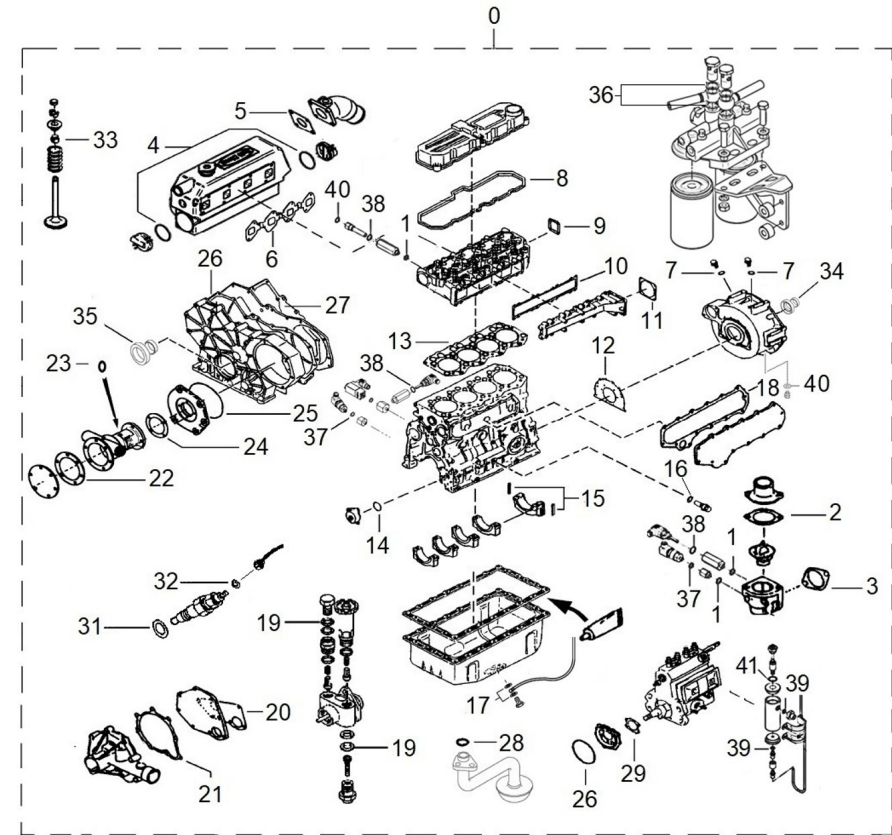
**D MI74GSDN 09 2 Cabin Kit**

Fig.	Ref.	Qty.	Descr.	Obs	From	UpTo
NS	58088284	10	Pastic Cable Zip Tie			
NS	58088285	1	Pastic Cable Zip Tie			
NS	60573041.62	1	Switch Disconnecter Omega Bracket			
NS	60974051	1	Sec. 35 Black 1,4 m Ter. 10/10 cable			



**D 17420101DNV Gasket Kit**

Fig.	Ref.	Qty.	Descr.	Obs	From	UpTo
0	17420101DNV	1	Gasket Kit MINI-74 TAC			
1	56000073	3	Copper Washer 16-23-1,5			
2	17111021	1	Gasket			
3	13321014	1	Gasket			
4	18011008	2	O-Ring D. 72X3			
5	16513002	1	Exhaust Elbow Gasket			
6	17421035	1	Gasket,Exhaust Manifold			
7	17121013	2	Gasket			
8	17421010	1	Rocker Cover Gasket			
9	17421011	1	Gasket			
10	17421032	1	Gasket IN.MANIFOld			
11	17421042	1	Gasket			
12	17420025	1	Gasket,Rear			
13	17421004	1	Gasket,Cylinder Head			
14	17424055	1	O-Ring D. 60X2			
15	17420112	2	Seal,Valve			
16	17424063	1	Gasket			
17	56000069	2	Washer 14-20-1,5			
18	17424062.1	1	Gasket,Side Cover			
19	17424008	8	Washer,SealING			
20	17421041	1	Gasket,Side Cover			
21	17421022	1	Gasket,Pump Cover			
22	34711003	1	Gasket Cover			
23	33311013	1	O-Ring D. 15X2			
24	13310013	1	Gasket,water pump			
25	17420047	2	O-Ring D. 140X2			
26	17420040	1	Gasket,Gear			
27	17420018	1	Gasket,Front Plate			
28	17424060	1	O-Ring D. 22X2,4			
29	17425028	1	Gasket			
30	13324011	1	Washer			



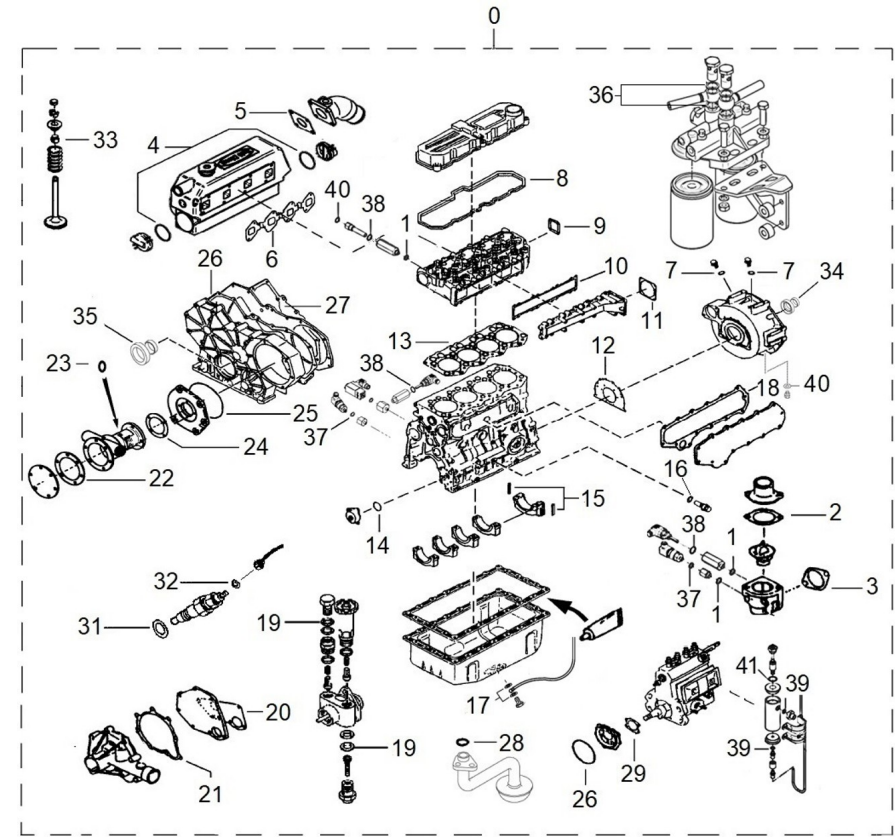


**Genset 29 GS/GSC & 32 GSA/GSAC TAC**

**Maintenance Kit**

**D 17420101DNV Gasket Kit**

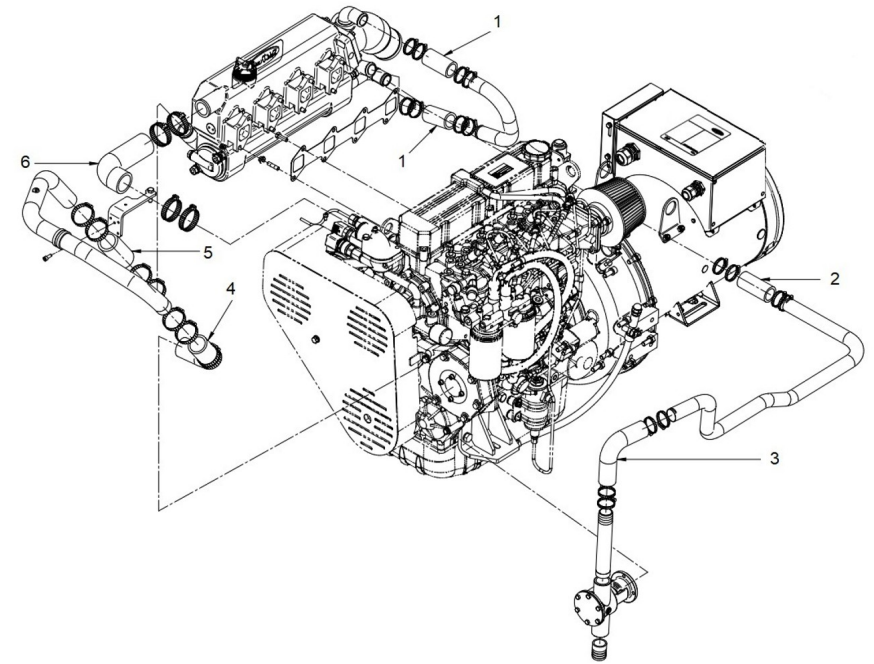
Fig.	Ref.	Qty.	Descr.	Obs	From	UpTo
31	13824013	4	Injector Washer			
32	17424025G.1	4	Gasket Fuel Return (Genset)			
33	17422054	8	Seal,Valve Stem			
34	13320063	1	Seal Oil			
35	17420039.1	1	Seal Assy,Oil			
36	57000378	4	Washer 18-24-1,5			
37	56000067	3	Washer 13-20-1,5			
38	56000083	3	Washer 21-26-1,5			
39	56000061	2	Washer 10-16-1,5			
40	56000077	2	Washer 18-23-1,5			
41	56000086	1	Washer 22,3-29-1,5			





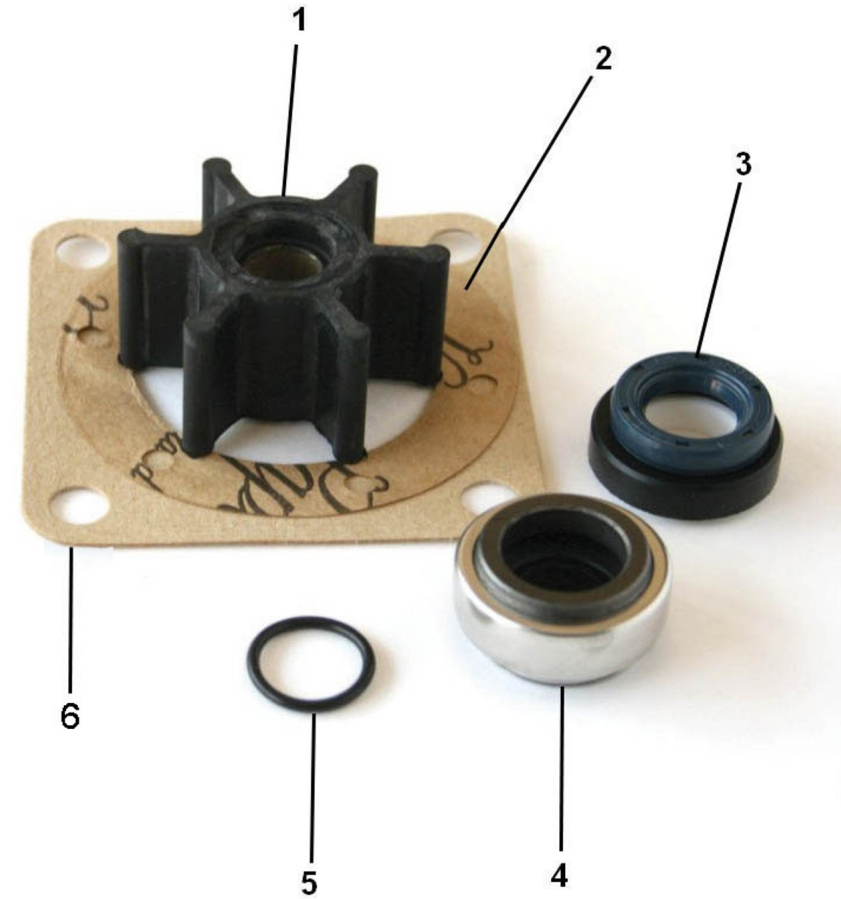
**D 17410035 Pipe Rubber Set, Water Line TAC**

<i>Fig.</i>	<i>Ref.</i>	<i>Qty.</i>	<i>Descr.</i>	<i>Obs</i>	<i>From</i>	<i>UpTo</i>
1	13611038	2	Pipe 30-40-75			
2	13211037	1	Pipe 30-40-85			
3	13211057	1	Rubber			
4	15211026	1	Elbow,rubber			
5	15211053	1	Pipe 38-50-100			
6	17411013	1	Thermostat Water Outlet Elbow			



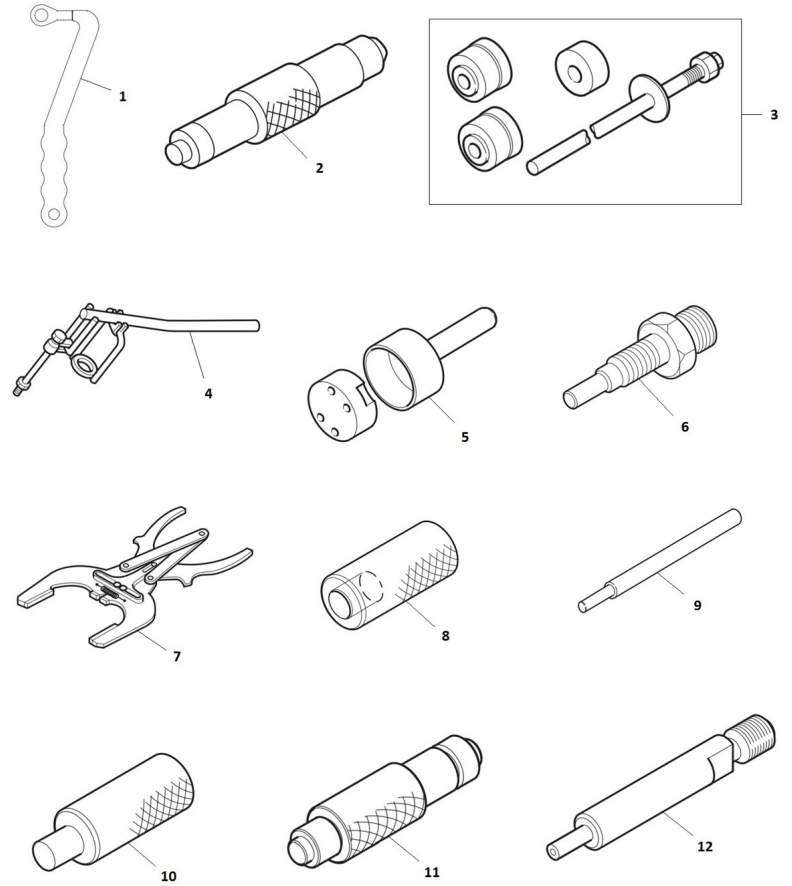
**36511000K Repair Kit Water Pump 1"**

<i>Fig.</i>	<i>Ref.</i>	<i>Qty.</i>	<i>Descr.</i>	<i>Obs</i>	<i>From</i>	<i>UpTo</i>
1	34711008	1	1" Impeller			
2	34711003	1	Gasket Cover			
3	36511020	1	Seal 16-30-7			
4	36511019	1	Seal			
5	33311013	1	O-Ring D. 15X2			
6	13310013	1	Gasket,water pump			



**D UTILFA0960 1 Special Tools**

Fig.	Ref.	Qty.	Descr.	Obs	From	UpTo
1	13811063	1	Refrigerator Mounting Key			
2	U3009107300	1	Idler Bushing Installer			
3	U3069100010	1	Camshaft Bushing Installer Set			
4	U3069104500	1	Valve Spring Pusher			
5	U3069113010	1	Oil seal sleeve installer set			
6	U3069121100	1	Gauge Adapter			
7	UMM74007	1	Piston Ring Pliers			
8	U32A9100100	1	Valve Guide Installer			
9	U32A9100300	1	Valve Guide Remover			
10	U32A9100400	1	Oil Pump Bushing Installer			
11	U32A9100500	1	Connecting rod bushing puller			
12	U32A9101100	1	Gauge adapter (direct injection)			



**D UTILFA0960\_2 Special Tools**

<i>Fig.</i>	<i>Ref.</i>	<i>Qty.</i>	<i>Descr.</i>	<i>Obs</i>	<i>From</i>	<i>UpTo</i>
13	U32A9110200	1	Stem Seal Installer			
14	19440400.2	1	Compression Manometer 10-60 Bar			
15	U3449100200	1	Piston Installer			
16	U3449103020	1	Valve Sheet Insert Caulking Tool			
17	U3679100200	1	Valve Sheet Insert Caulking Tool			
18	UMH061077	1	Idler Shaft Puller			

