



Genset 4 GSCH V3 12V 230V

VERSION 2023-2

SPARE PARTS MANUAL



PARTS LIST CATALOGUE

NORMS TO PLACE AN ORDER:

For fast and more efficient service, please specify the following information on spare parts orders that must be preferably done by FAX or e-mail as specified below:

- 1- Engine model: As shown in identification plate
- 2- Engine serial number: As shown in identification plate and stamped on crankcase
- 3- Item description + part number + quantity required

Spare parts requests must be addressed to:

recambios@solediesel.com

Telf.: +34 93 775 44 05

Fax: +34 93 775 30 13

The components shown in the catalog have:

- Figure: Number by which they are represented in scheme
 - Description: Trade name of the component
 - Quantity: Total number of parts used in the assembly of the part represented (may differ from the total minimum quantities)
- Hoses, indicates the total length in meters

The diagrams shown in this catalog of spare parts, have only the purpose to identify the piece in question, its representation is not meaningful and may differ from the actual piece.

In case of doubt, contact Solé Diesel, or your authorized dealer.

The parts i / or references in this catalog are subject to change without notice.

[SOLE S.A.](#)

C-243b, Km, 2 - P.O. BOX 15
08760 Martorell (Barcelona) Spain

Download the latest version of this manual [HERE](#)

Engine Body

Cylinder Head
Rocker Cover & Breather
Valve Drive
Timing Parts
Gear Case
Crankcase
Piston & Connectiong Rod
Crankshaft & Flywheel
Oil System
Engine Bracket

Inlet & Exhaust

Intake Manifold
Air Inlet

Cooling System

Cooling Device
Cooler Pipes
Wet Exhaust
Pump Salt Water

Fuel System

Fuel Pipe
Injection Nozzle
Fuel Injection Pump
Governor Parts
Fuel Supply Parts

Electrical System

Alternator
Starter
Remote Control Panel

Genset Spare Parts

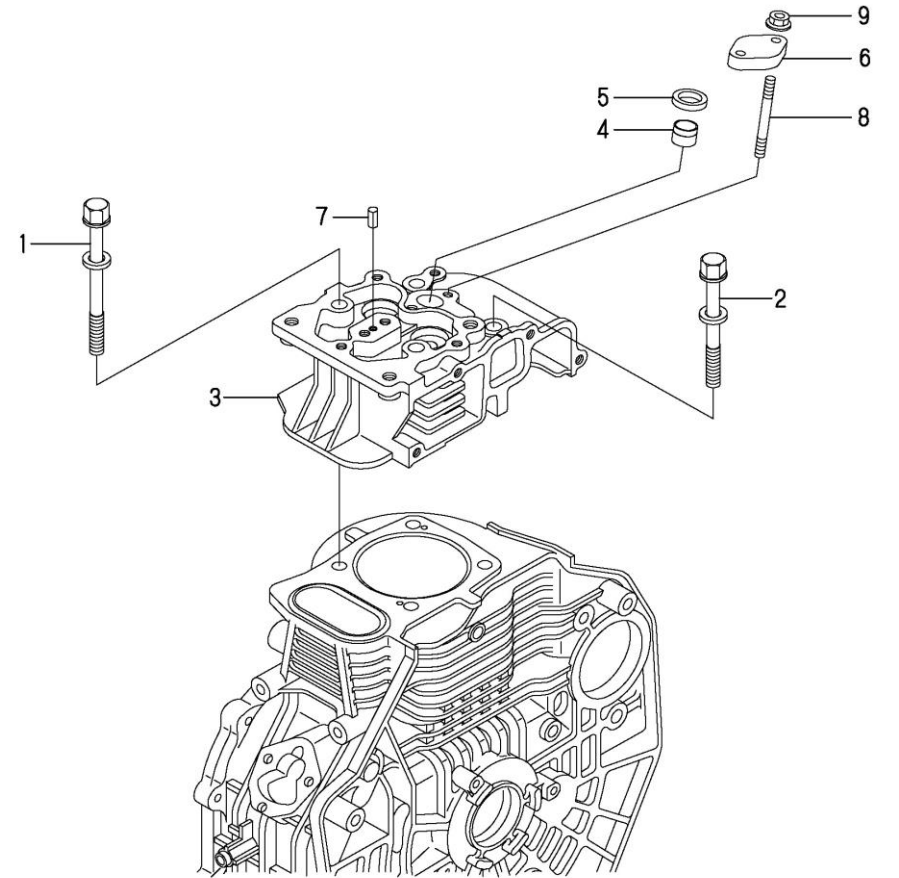
Chassis
Cabin

Maintenance Kit

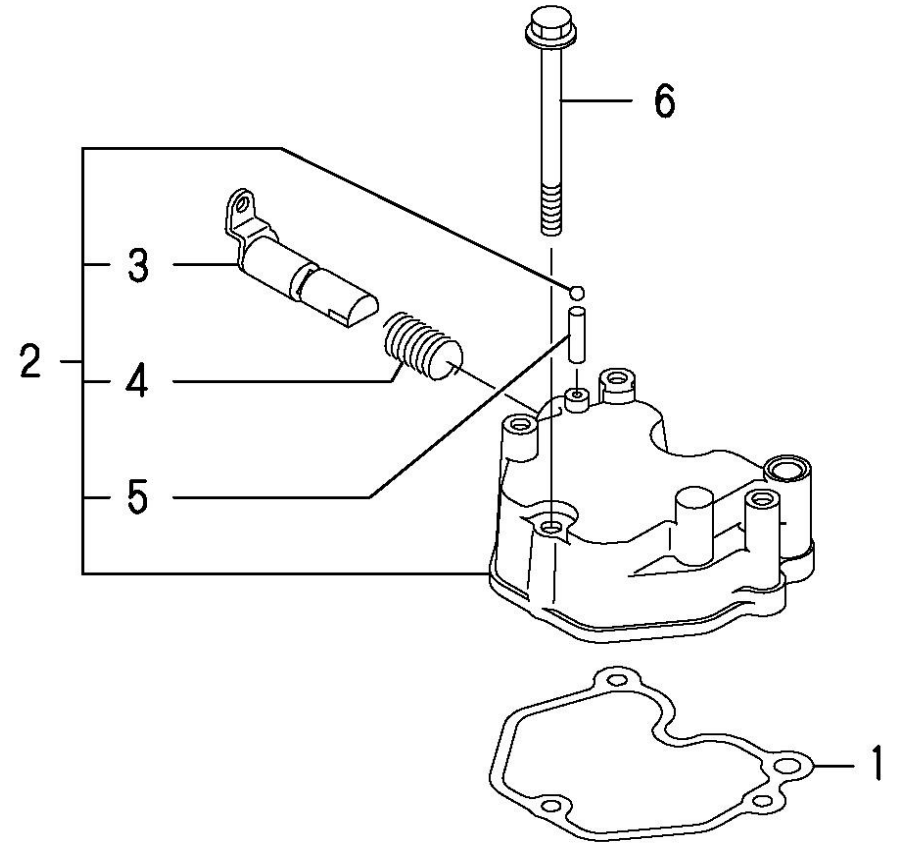
Gasket Kit



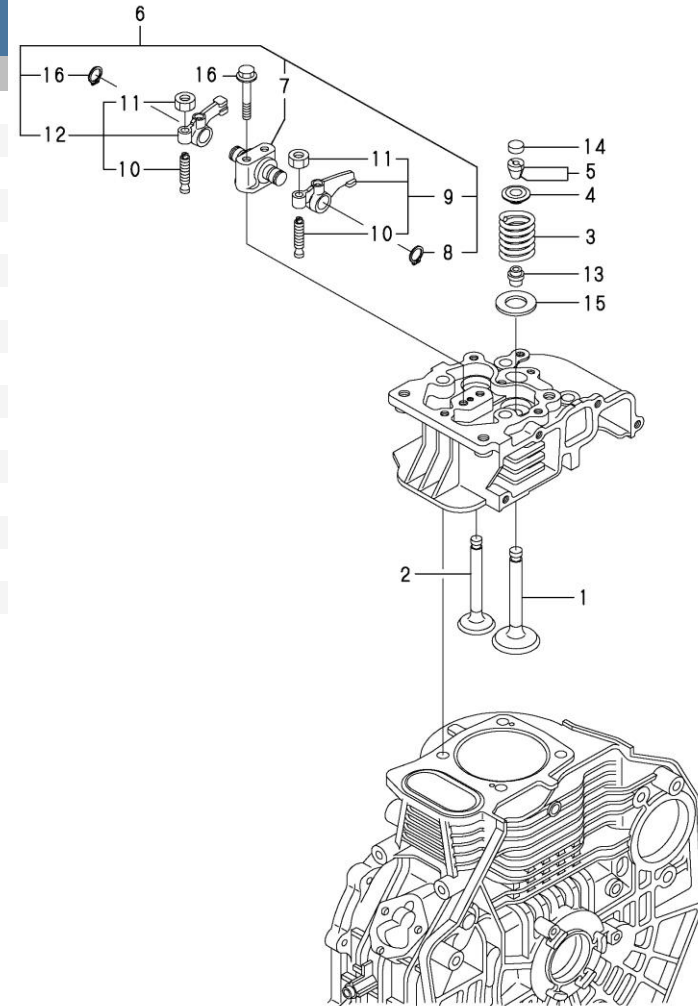
D_1484_1_1 Cylinder Head						
FIG.	REF.	QTY	DESCR.	FROM	UPTO	
1	1D020151	2	Bolt, Cyl.Head A			
2	1D020152	2	Bolt, Cyl.Head B			
3	1D020153	1	Head Assy, Cylinder			
4	1D020167	1	Protector, Nozzle			
5	1D020168	1	Seat, Nozzle			
6	1D020171	1	Retainer, Nozzle			
7	1D020172	1	Spring Pin 4X 8			
8	1D020174	2	Stud M6X 55 Plated			
9	1D020175	2	Nut M 6			



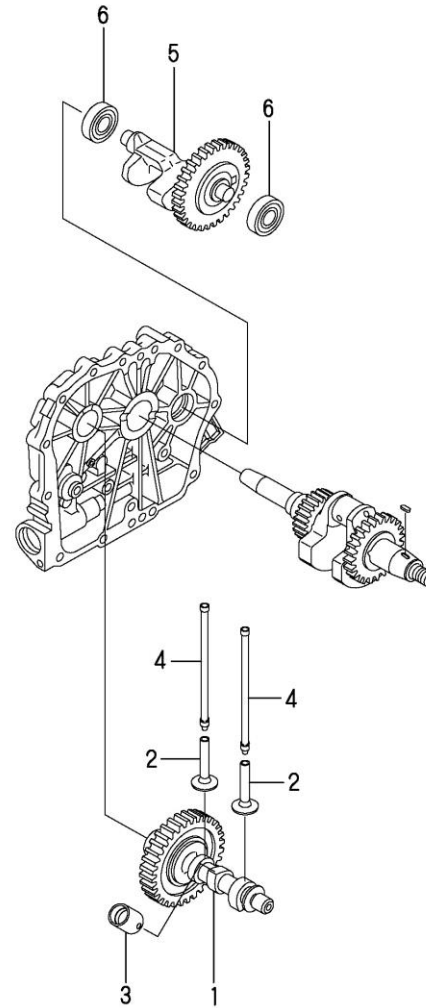
D_1484_1_2						
Rocker Cover & Breather						
FIG.	REF.	QTY	DESCR.	FROM	UPTO	
1	1D020176	1	Gasket, Bonnet			
2	1D020177	1	Bonnet Assy, Head			
3	1D020178	1	Shaft Assy, Decomp.			
4	1D020179	1	Spring, Decomp.			
5	1D020180	1	Parallel Pin 3X16			
6	1D020181	3	Bolt M 6X 55 Plated			



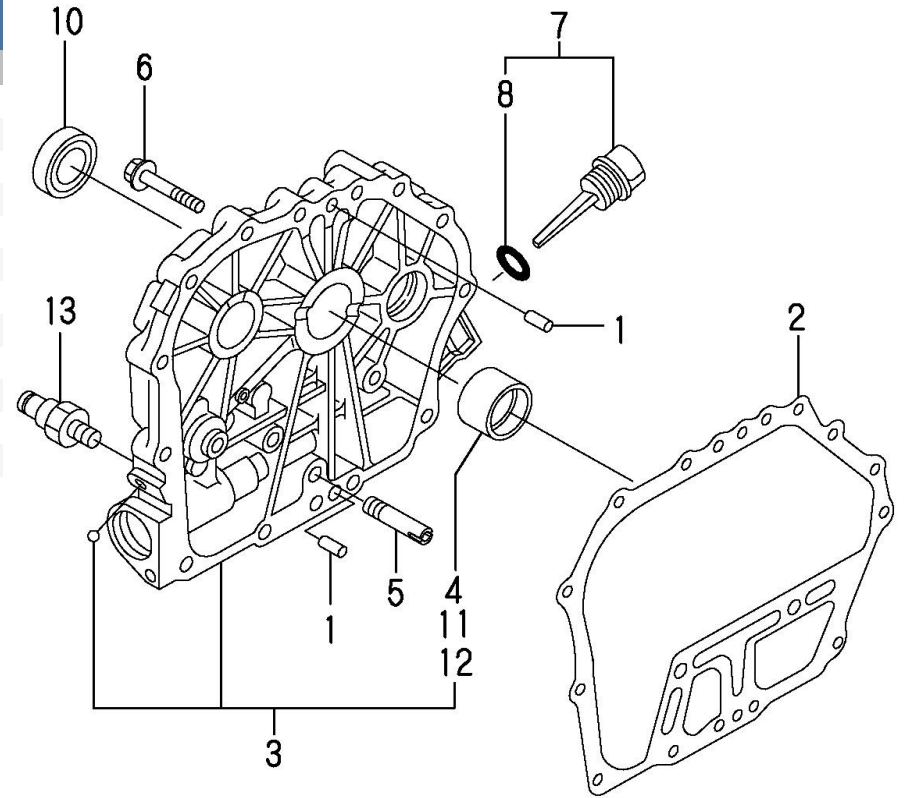
D_1484_1_3 Valve Drive						
FIG.	REF.	QTY	DESCR.	FROM	UPTO	
1	1D020154	1	Valve, Intake			
2	1D020155	1	Valve, Exhaust			
3	1D020156	2	Spring, Valve			
4	1D020157	2	Retainer, Spring			
5	1D020158	2	Cotter Assy			
6	1D020159	1	Support Assy, Rocker			
7	1D020160	1	Support, Rocker Arm			
8	1D020161	2	C Type Retaining Rin			
9	1D020162	1	Arm Assy, Intake			
10	1D020163	1	Screw, Adjusting			
11	1D020164	1	Lock Nut 6			
12	1D020165	1	Arm Assy, Exhaust			
13	1D020166	2	Seal, Valve Stem			
14	1D020169	2	Cap, Valve			
15	1D020170	2	Washer, Valve Spring			
16	1D020173	2	Bolt M 6X 40 Plated			



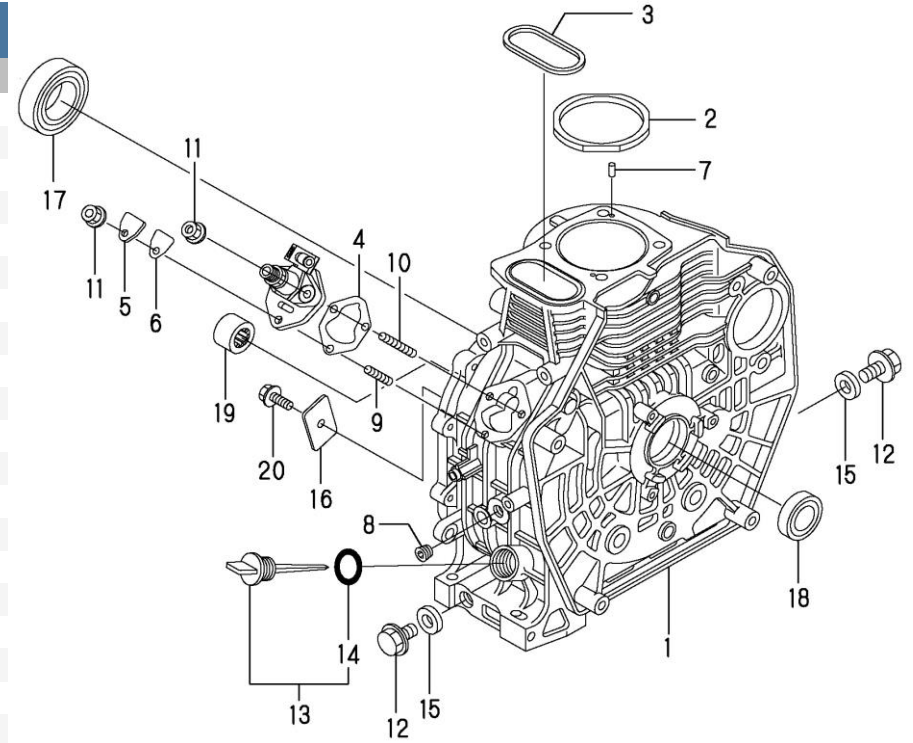
D_1484_1_4		Timing Parts				
FIG.	REF.	QTY	DESCR.	FROM	UPTO	
1	1D020193	1	Camshaft Assy			
2	1D020194	2	Tappet			
3	1D020195	1	Tappet Assy, Roller			
4	1D020196	2	Rod Assy, Push			
5	1D020211	1	Shaft Assy, Balancer			
6	1D020212	2	Ball Bearing			



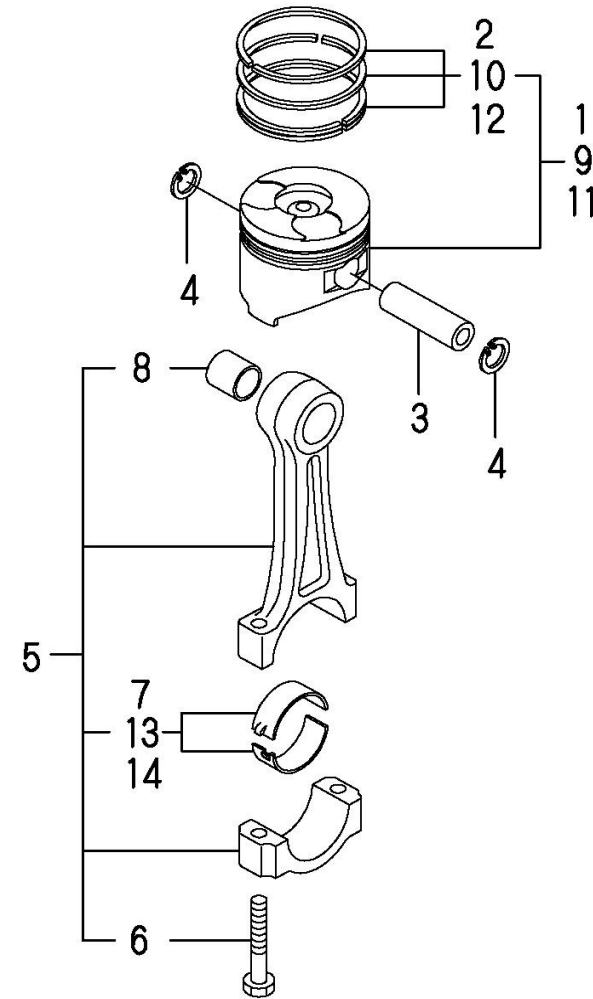
D_1484_1_5 Gear Case						
FIG.	REF.	QTY	DESCR.	FROM	UPTO	
1	1D020125	2	Pin, 8X12			
2	1D020134	1	Gasket, Crank Case			
3	1D020135	1	Cover(E-D,Crank Case			
4	1D020136	1	Bearing, Main			
5	1D020137	1	Pipe, L.O. Inlet			
6	1D020138	15	Bolt M 8X 35 Plated			
7	1D020140	2	Cap, W/Lub.Oil Gauge			
8	1D020141	2	O-Ring			
10	1D020145	1	Seal, Oil			
11	1D020148	1	Main Bearing Us=0.25			
12	1D020149	1	Main Bearing Us=0.50			
13	1D020150	1	Sender, Oil Pressure			



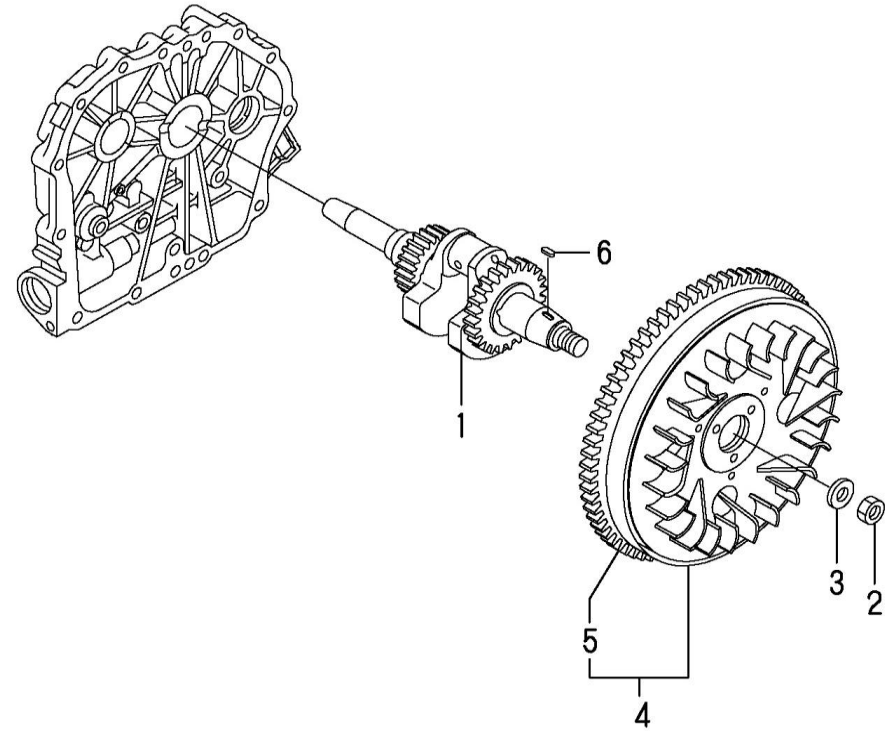
D_1484_1_6 Cranckcase						
FIG.	REF.	QTY	DESCR.	FROM	UPTO	
1	1D020122	1	Block Assy, Cylinder			
2	1D020123	1	Gasket, Head 0.5			
3	1D020124	1	O-Ring			
4	1D020126	1	Shim Set			
5	1D020127	1	Cover,(Fo Pump			
6	1D020128	1	Gasket			
7	1D020129	2	Pin 4X8,Straight			
8	1D020130	1	Plug Pt1/4,Steel			
9	1D020131	1	Stud M 6X 18 Plated			
10	1D020132	2	Stud M 6X 22 Plated			
11	1D020133	3	Nut M 6			
12	1D020139	2	Plug M16			
13	1D020140	2	Cap, W/Lub.Oil Gauge			
14	1D020141	2	O-Ring			
15	1D020142	2	Seal Washer 16S			
16	1D020143	1	Retainer			
17	1D020144	1	Ball Bearing			
18	1D020145	1	Seal, Oil			
19	1D020146	1	Needle Bearing			
20	1D020147	1	Bolt M 8X 12 Plated			



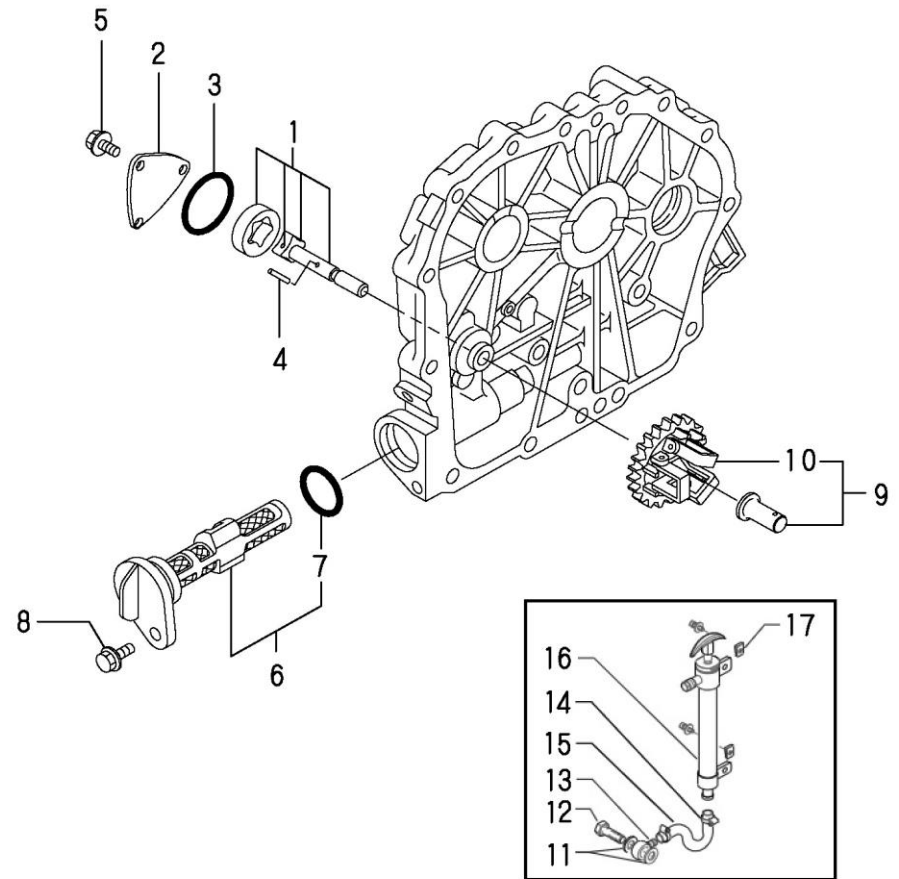
D_1484_1_8						
Piston & Connecting Rod						
FIG.	REF.	QTY	DESCR.	FROM	UPTO	
1	1D020203	1	Piston W/Rings (D)			
2	1D020204	1	Ring Set, Piston			
3	1D020205	1	Piston Pin			
4	1D020206	2	Circlip 21			
5	1D020207	1	Rod Assy, Connecting			
6	1D020208	2	Bolt,Rod			
7	1D020209	1	Bearing, Crank Pin			
8	1D020210	1	Bush, Piston Pin			
9	1D020213	1	Piston W/Ring Os=.25			
10	1D020214	1	Ring Set O.S=0.25			
11	1D020215	1	Piston W/Ring Os=0.5			
12	1D020216	1	Ring Set O.S=0.50			
13	1D020217	1	Bearing,Pin(U.S=0.25)			
14	1D020218	1	Bearing,Pin(U.S=0.50)			



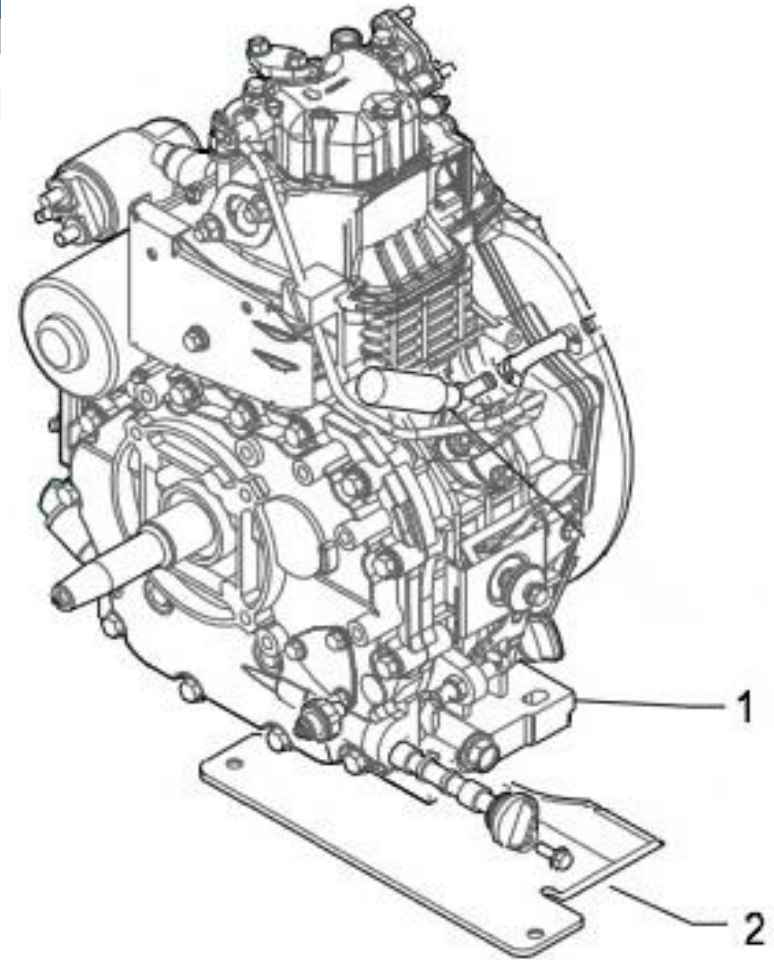
D_1484_1_9 Crankshaft & Flywheel						
FIG.	REF.	QTY	DESCR.	FROM	UPTO	
1	1D020197	1	Crankshaft(E-Dg Assy			
2	1D020198	1	Nut			
3	1D020199	1	Washer, Flywheel			
4	1D020200	1	Flywheel Assy, De			
5	1D020201	1	Gear, Ring D			
6	1D020202	1	Key 4X 12			



D_1484_1_10		Oil System				
FIG.	REF.	QTY	DESCR.	FROM	UPTO	
1	1D020219	1	Pump Assy, Lub.Oil			
2	1D020220	1	Cover, Lub. Oil Pump			
3	1D020221	1	O-Ring, Cover			
4	1D020180	1	Parallel Pin 3X16			
5	1D020222	3	Bolt M 6X 12 Plated			
6	1D020223	1	Filter Cmp, Lub.Oil			
7	1D020224	1	O-Ring 1A S-22.4			
8	1D020225	1	Bolt M 6X 16 Plated			
9	1D020232	1	Governor Assy			
10	1D020233	1	Weight Assy,Governor			
11	1D020015	2	Copper Washer D.16			
12	1D020016	1	Hollow Screw M16X 1,5 L.31			
13	1D020017	1	Union D.16			
14	1D020018	6	Clamp D. 10/ 16 H 9			
15	1D020019	1	Pipe D.10X17			
16	1D020020	1	Oil Drainage Pump 3/4"			
17	1D020021	4	Union Nut 955			

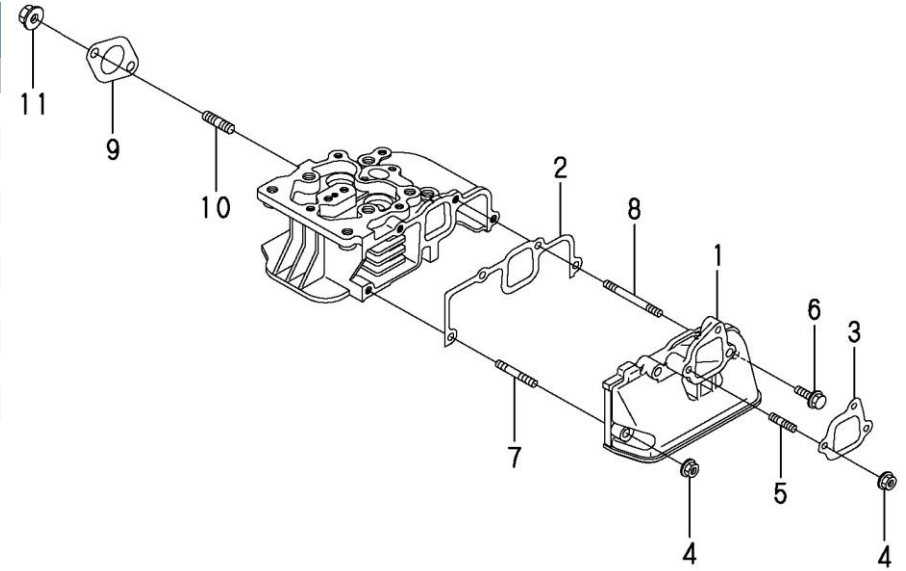


D_1484_1_12		Engine Bracket				
FIG.	REF.	QTY	DESCR.	FROM	UPTO	
1	1D020000	1	Yanmar Engine L 70N			
2	1D020002	1	Support Bracket Engine			

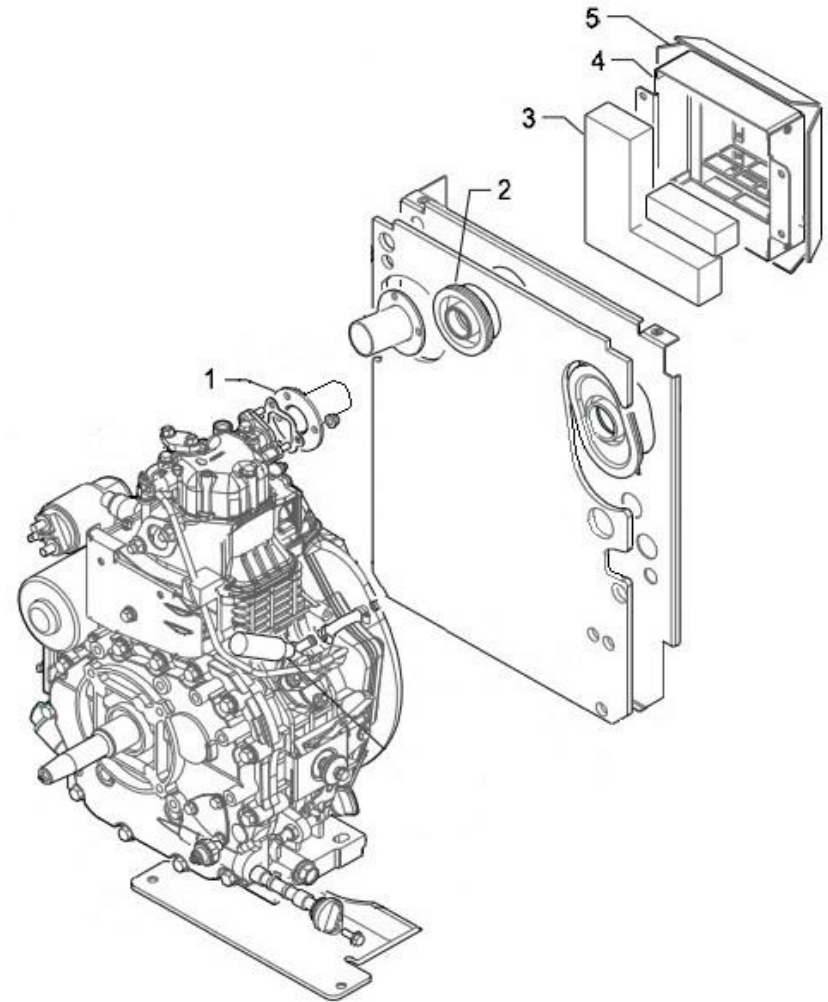




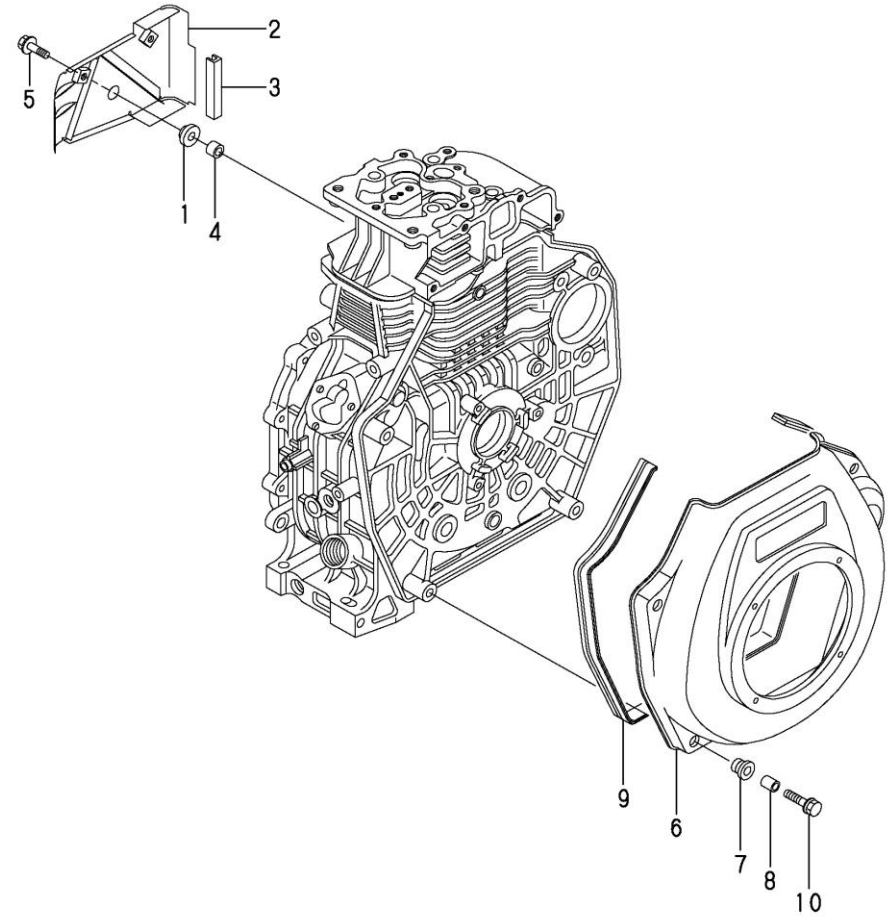
D_1484_2_1		Intake Manifold				
FIG.	REF.	QTY	DESCR.	FROM	UPTO	
1	1D020182	1	Manifold, Intake			
2	1D020183	1	Gasket, Air Cleaner			
3	1D020184	1	Gasket, Air Cleaner			
4	1D020185	5	U-Nut			
5	1D020186	2	Stud M 6X 14 Plated			
6	1D020187	1	Bolt M 6X 20 Plated			
7	1D020188	2	Stud M 6X 30			
8	1D020189	1	Stud M 6X 50			
9	1D020190	1	Gasket, Muffler			
10	1D020191	2	Stud M 8X 18 Plated			
11	1D020192	2	Nut M 8			



D_1484_2_2		Air Inlet				
FIG.	REF.	QTY	DESCR.	FROM	UPTO	
1	1D020028	1	Air Intake Manifold			
2	1D020036	1	Manifold Rubber Cover			
3	1D020038	1	Air Filter Kit			
4	1D020039	1	Air Filter Box			
5	1D020057	1	Soundproofing Kit Legetolex			

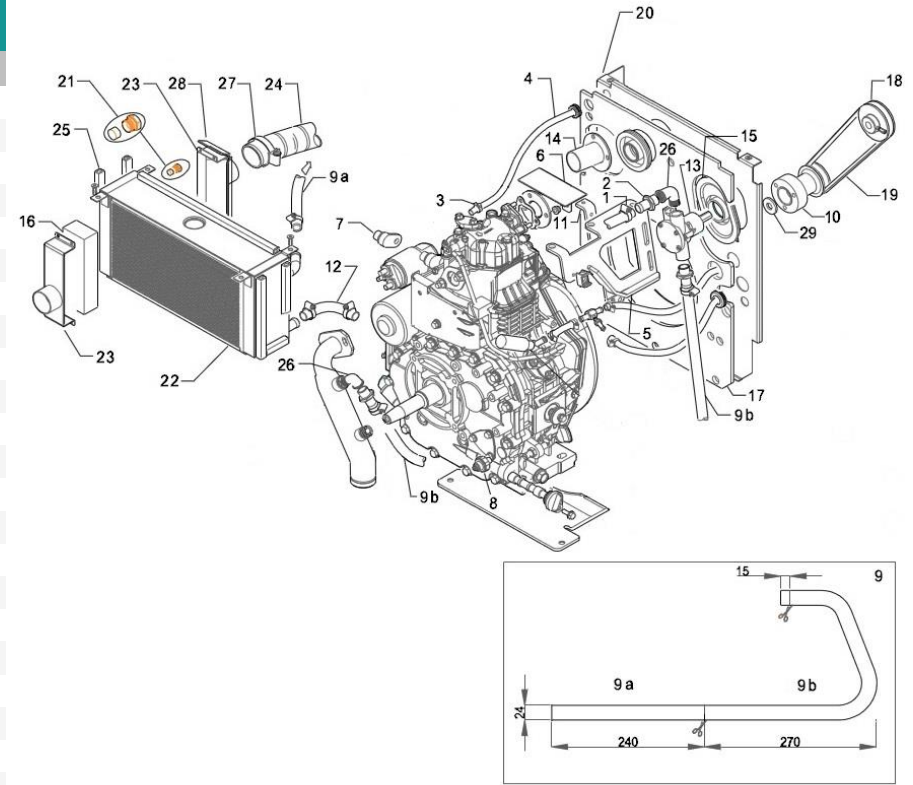


D_1484_3_1		Cooling Device				
FIG.	REF.	QTY	DESCR.	FROM	UPTO	
1	1D020252	1	Grommet, Tank			
2	1D020253	1	Cover B, Side (13)			
3	1D020254	1	Rubber, Seal			
4	1D020255	1	Collar, Cyl.Cover			
5	1D020187	1	Bolt M 6X 20 Plated			
6	1D020256	1	Fan Case(Silver)(17)			
7	1D020257	4	Rubber, Cushion			
8	1D020258	4	Collar, Fan Case			
9	1D020259	1	Seal, Fan Case			
10	1D020260	4	Bolt, Fan Case			

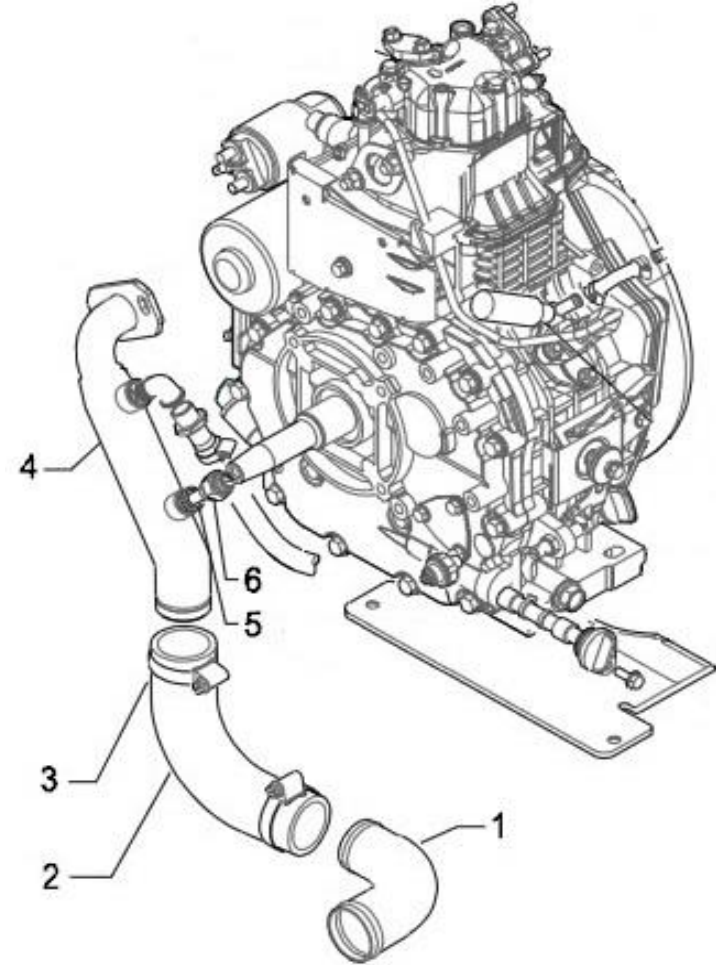




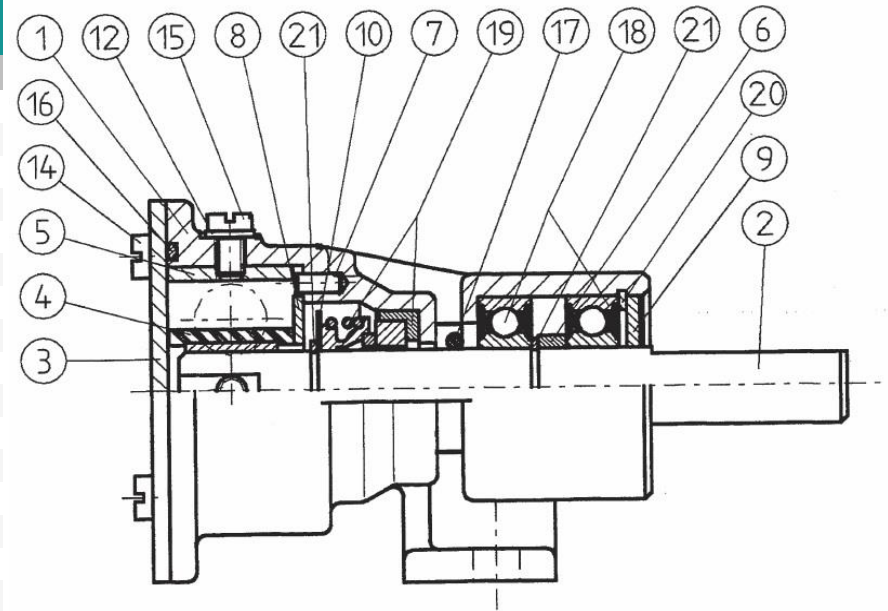
D_1484_3_2 Cooler Pipes						
FIG.	REF.	QTY	DESCR.	FROM	UPTO	
1	1D020009	7	Clamp D. 16/ 25 H9			
2	1D020010	3	Nipple D.15 3/8"			
3	1D020013	2	Clamp D. 10			
4	1D020014	1	Pipe D.5X12			
5	1D020022	1	Water Pump Support Bracket			
6	1D020024	1	High Temperature Label Support			
7	1D020025	1	Thermostat			
8	1D020026	1	Oil Pressure Switch			
9	1D020027	1	Sleeve D.15 (Cutted)			
10	1D020029	1	Engine Pulley Z50 H66			
11	1D020030	1	Water Pump Plate			
12	1D020033	1	Elbow 90° D.16			
13	1D020034	1	Johnson Pump F35B-8			
14	1D020035	1	Air Intake Manifold			
15	1D020037	1	Pump Rubber Cover			
16	1D020038	1	Air Filter Kit			
17	1D020040	1	Soundproofing Kit			
18	1D020041	1	Pulley Z60 Foro 12 H26			
19	1D020042	1	V-Bel T Ftd-Spz 630 9,7X643			
20	1D020045	1	Bulkhead			
21	1D020046	1	Zinc Anode With Cap			
22	1D020047	1	Water- Air Exchanger			
23	1D020048	2	Air Intake Conveyor			
24	1D020049	1	Air Intake Pipe Di.40			
25	1D020050	1	Adhesive Gasket Kronstik D 8X10			
26	1D020055	2	Elbow 90° M-F 3/8"			
27	1D020056	2	Clamp D. 32/ 50 H9			
28	1D020057	1	Soundproofing Kit Legetolex			
29	1D020058	1	Engine Washer			



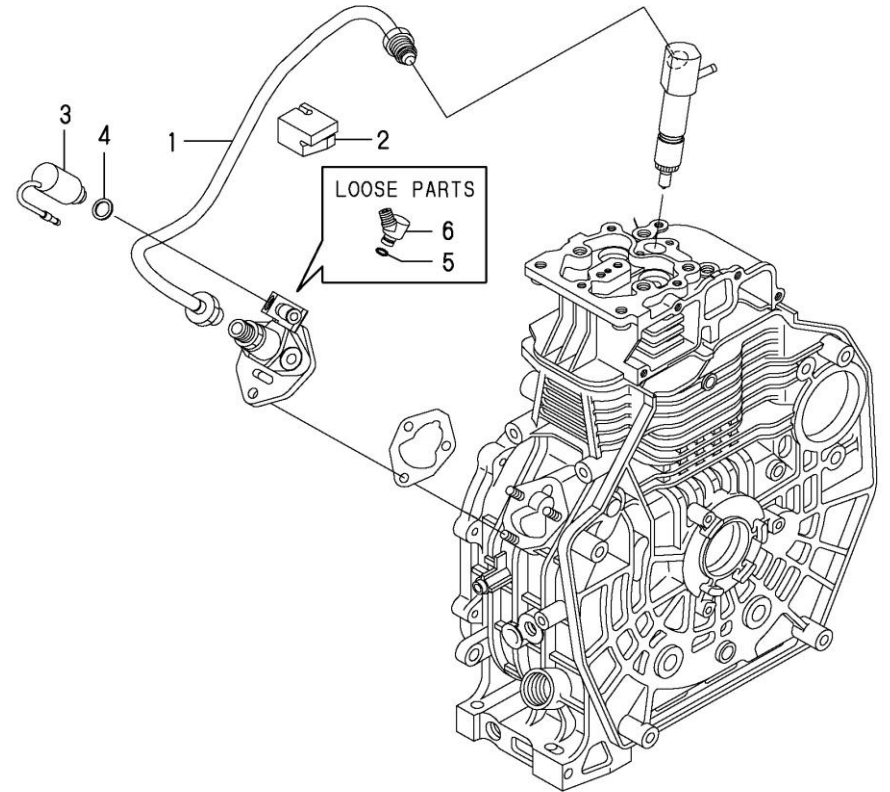
D_1484_3_3		Wet Exhaust				
FIG.	REF.	QTY	DESCR.	FROM	UPTO	
1	1D020003	1	Exhaust Elbow D.40/D.45			
2	1D020004	1	Sleeve Di.38 90° Epdm			
3	1D020005	3	Clamp D. 40/ 60 H13			
4	1D020006	1	Mixer			
5	1D020007	1	Copper Washer D.14			
6	1D020008	1	Exhaust Thermostat Vdo 70° Rif.867			



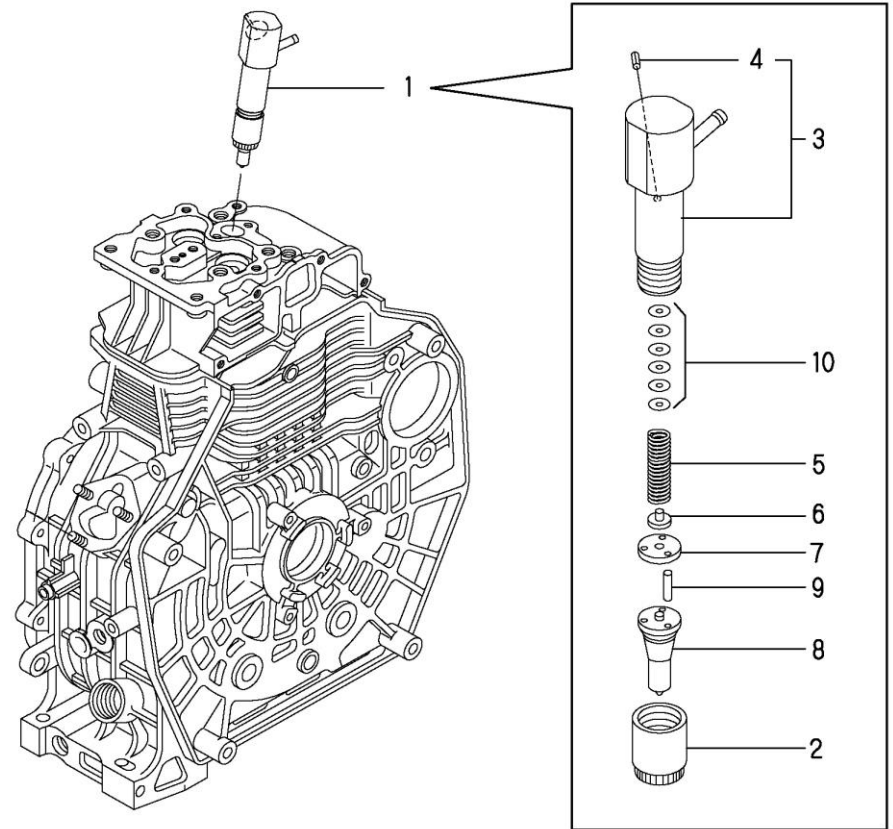
D_1484_3_4		Pump Salt Water			
FIG.	REF.	QTY	DESCR.	FROM	UPTO
1	1D020335	1	Body		
2	1D020336	1	Shaft		
3	1D020337	1	Endcover		
4	1D020338	1	Impeller		
5	1D020339	1	Cam		
6	1D020340	1	Spacer		
7	1D020341	1	Pin		
8	1D020342	1	Wear Plate		
9	1D020343	1	Washer		
10	1D020344	1	Washer		
12	1D020345	1	Washer		
14	1D020346	1	Screw		
15	1D020347	1	Screw		
16	1D020348	1	Seal Unit		
17	1D020349	1	O-Ring		
18	1D020350	1	Ball Bearing		
19	1D020351	1	Lipseal		
19	1D020352	1	Mech. Seal		
20	1D020353	1	Retainingring		
21	1D020354	1	Retainingring		
22	1D020355	1	Retainingring		



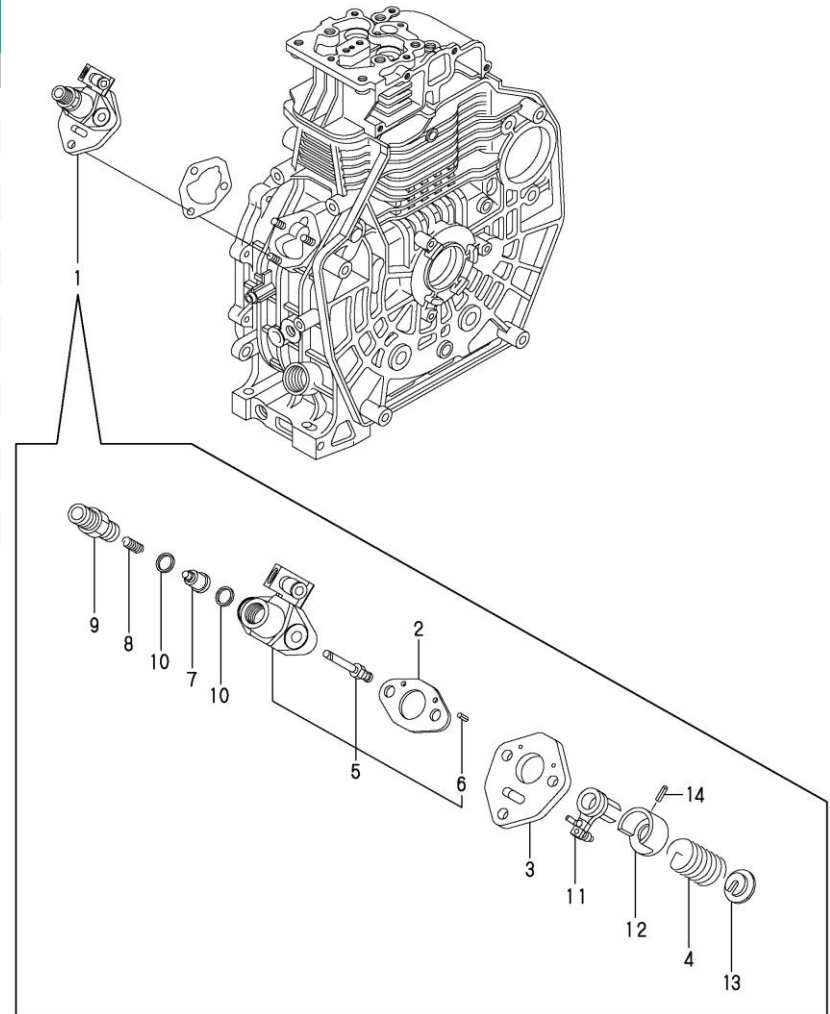
D_1484_4_1 Fuel Pipe						
FIG.	REF.	QTY	DESCR.	FROM	UPTO	
1	1D020285	1	Pipe, Fuel Injection			
2	1D020286	1	Support, Inj. Pipe			
3	1D020287	1	Valve Assy, F/O Cut			
4	1D020288	1	Gasket, 10X1.2			
5	1D020289	1	O-Ring			
6	1D020290	1	Inlet(Fuel)			



D_1484_4_2 Injection Nozzle						
FIG.	REF.	QTY	DESCR.	FROM	UPTO	
1	1D020275	1	Fuel Injector			
2	1D020276	1	Nut, Nozzle Case			
3	1D020277	1	Holder Assy, Nozzle			
4	1D020278	1	Spring Pin 2.5Ax 6			
5	1D020279	1	Spring, Nozzle			
6	1D020280	1	Seat, Nozzle Spring			
7	1D020281	1	Plate, Stop			
8	1D020282	1	Nozzle Assy			
9	1D020283	2	Straight Pin			
10	1D020284	1	Shim Pack			

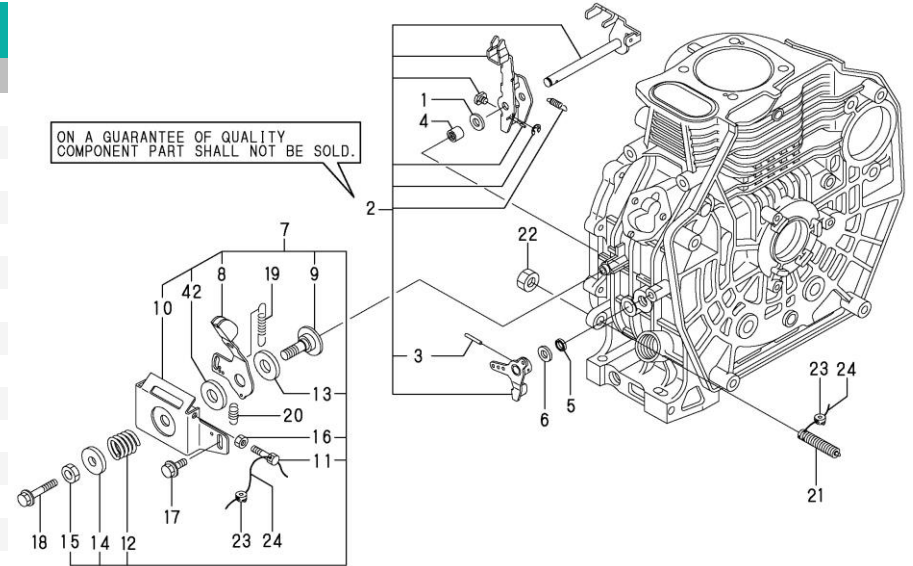


D_1484_4_3 Fuel Injection Pump						
FIG.	REF.	QTY	DESCR.	FROM	UPTO	
1	1D020261	1	F.I.Pump Assy			
2	1D020262	1	Gasket			
3	1D020263	1	Plate			
4	1D020264	1	Spring			
5	1D020265	1	Body Assy, Pump			
6	1D020266	2	Spring Pin 2X 6			
7	1D020267	1	Valve Assy, Delivery			
8	1D020268	1	Spring, Deliv. Valve			
9	1D020269	1	Holder, F.I.P.Delive			
10	1D020270	2	Gasket, Delivery			
11	1D020271	1	Lever Assy, Control			
12	1D020272	1	Seat (A), Spring			
13	1D020273	1	Seat (B), Spring			
14	1D020274	1	Spring Pin 3X 8			

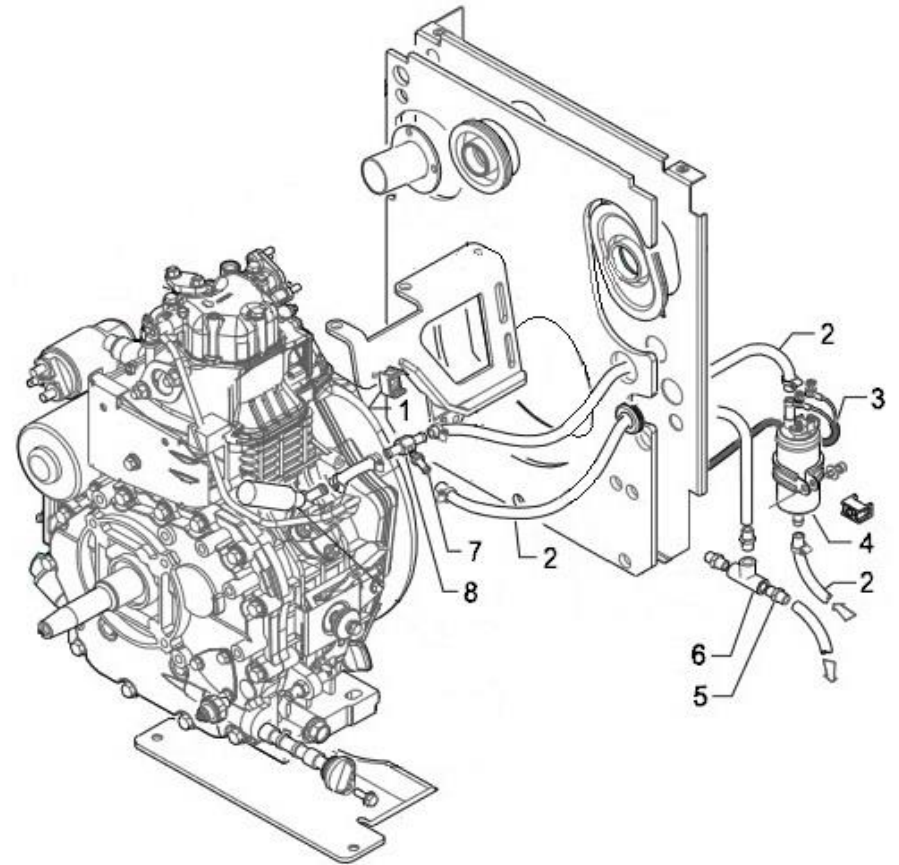




D_1484_4_4 Governor Parts						
FIG.	REF.	QTY	DESCR.	FROM	UPTO	
1	1D020226	1	Washer, Governor			
2	1D020227	1	Lever Assy, Governor			
3	1D020228	1	Taper Pin 3X20			
4	1D020229	2	Bearing,Needle			
5	1D020230	1	Seal, Oil			
6	1D020231	1	Washer, Thrust			
7	1D020234	1	Bracket Cmp,Regulato			
8	1D020235	1	Handle, Regulator			
9	1D020236	1	Shaft, Handle			
10	1D020237	1	Bracket, Handle			
11	1D020238	1	Bolt, Adjusting			
12	1D020239	1	Spring			
13	1D020240	2	Plate, Friction			
14	1D020241	1	Washer (B)			
15	1D020242	1	Lock Nut M10			
16	1D020243	1	Nut M 6			
17	1D020244	1	Bolt M 6X 14 Plated			
18	1D020245	1	Bolt M 6X 45 Plated			
19	1D020246	1	Spring, Regulator			
20	1D020247	1	Spring, Return			
21	1D020248	1	Limitier Assy, Fuel			
22	1D020249	1	Lock Nut M10 Plated			
23	1D020250	2	Tin			
24	1D020251	2	Wire 0.6			

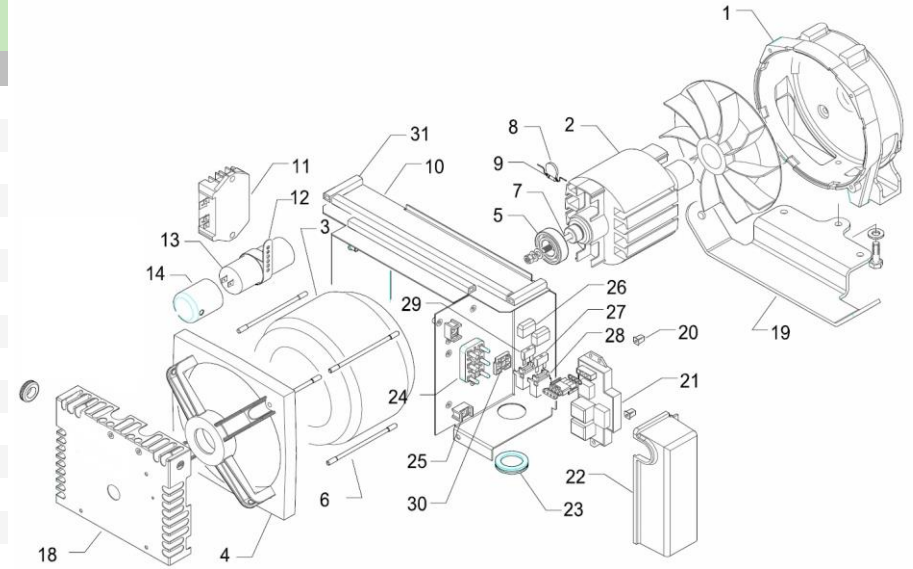


D_1484_4_5		Fuel Supply Parts				
FIG.	REF.	QTY	DESCR.	FROM	UPTO	
1	1D020023	5	Cable Support			
2	1D020032	1	Fuel Pipe A1 D.6 Iso 7840			
3	1D020043	1	Engine Harness			
4	1D020044	1	Pierburg Pump 7.21440.03			
5	1D020051	3	Union 1/8"- D.7			
6	1D020052	1	Female Union 1/8"			
7	1D020053	1	Fuel Nipple To Solenoid			
8	1D020054	1	Fuel Nipple From Solenoid			

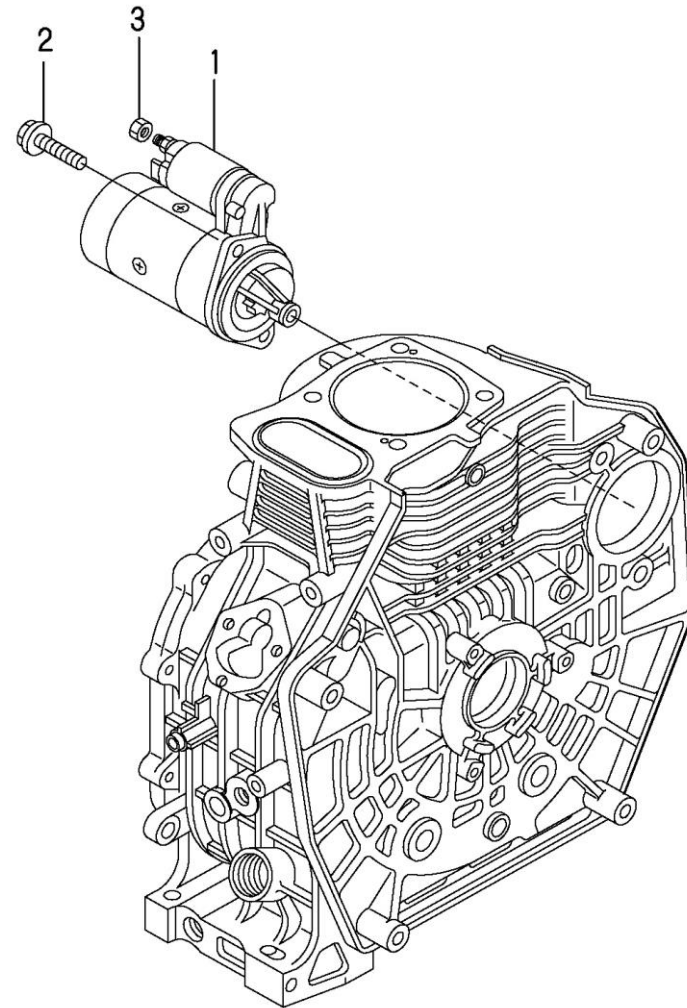




D_1484_5_1 Alternator						
FIG.	REF.	QTY	DESCR.	FROM	UPTO	
1	1D020060	1	Engine Side Cover			
2	1D020061	1	Rotor 123/80" Is3.5			
3	1D020062	1	Stator 200/080" 50.230R Is3.5 Ln2			
4	1D020063	1	Coperchio Lato Cuscinetto Bearing Side Cover			
5	1D020064	1	Bearing			
6	1D020065	4	Tie Rod M6X125			
7	1D020066	1	Central Tie Rod M8X133X5/16 C.72			
8	1D020067	2	Varistor			
9	1D020068	2	Diode			
10	1D020069	1	Exchanger Support			
11	1D020070	1	Battery-Charger Regulator			
12	1D020071	1	Plastic Clamp Cu 50			
13	1D020072	1	Capacitor Ca 30MF 7.5 450V 4F			
14	1D020073	1	Capacitor Cap D.40			
18	1D020074	1	Alternator Grid			
19	1D020075	1	Alternator Support Bracket			
20	1D020076	2	Square Insert 7X7 H1			
21	1D020077	1	Relay Board Super Seal			
22	1D020078	1	Terminal Board Cover			
23	1D020079	1	Grommet Dg. 29			
24	1D020080	1	Terminal Board			
25	1D020023	2	Cable Support			
26	1D020081	2	Fuse Holder Cover			
27	1D020082	1	Fuse 30A			
28	1D020083	2	Fuse Holder 100351			
29	1D020084	1	Fuse 3A			
30	1D020085	1	Fuse Holder Plate 100352			
31	1D020086	1	Adhesive Gasket Kronstik 15X4			

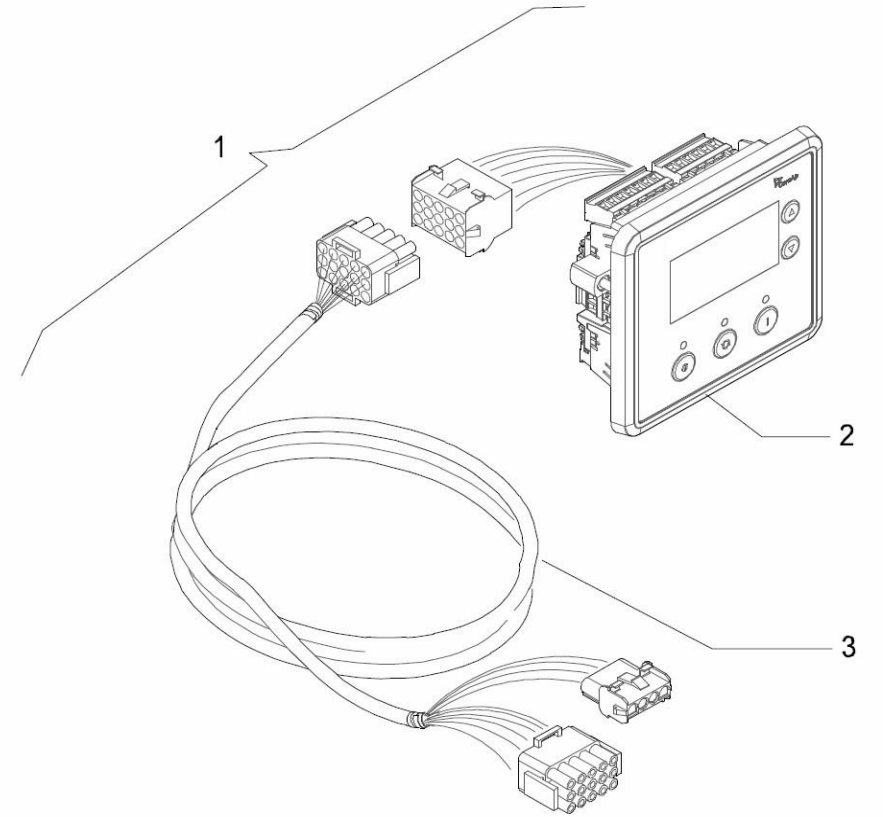


D_1484_5_2		Starter				
FIG.	REF.	QTY	DESCR.	FROM	UPTO	
1	1D020291	1	Starter(Hitachi 12V			
2	1D020309	2	Bolt M10X 30 Plated			
3	1D020310	1	Nut M 8			



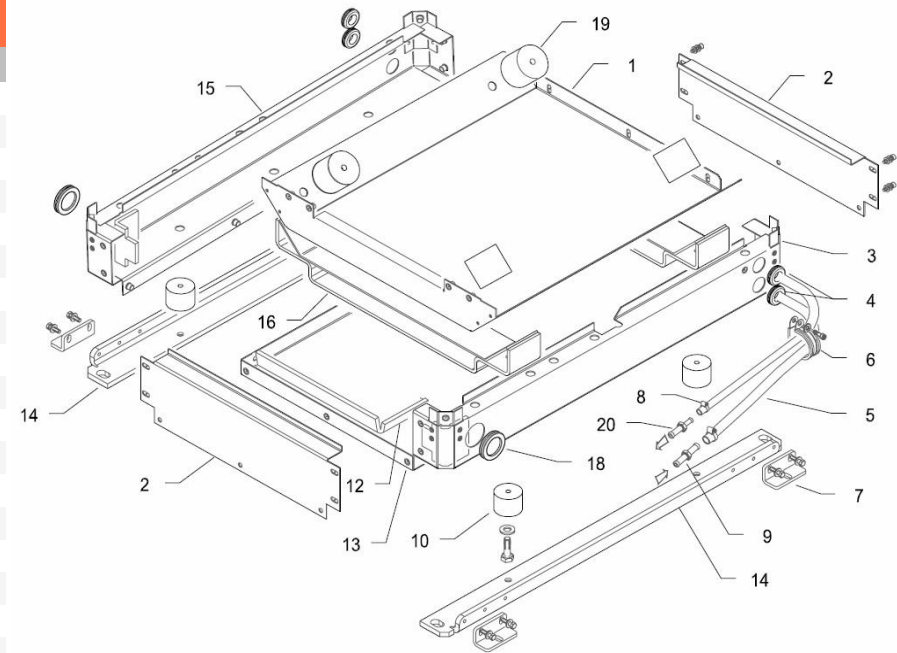


D_1484_5_3 Remote Control Panel						
FIG.	REF.	QTY	DESCR.	FROM	UPTO	
1	1D020332	1	Remote Control Panel 10mt (Complete)			
2	1D020333	1	Control Unit InteliNano SCO 5			
3	1D020334	1	PVC Cable 12x0,5+2X0,5 SCH D.10			

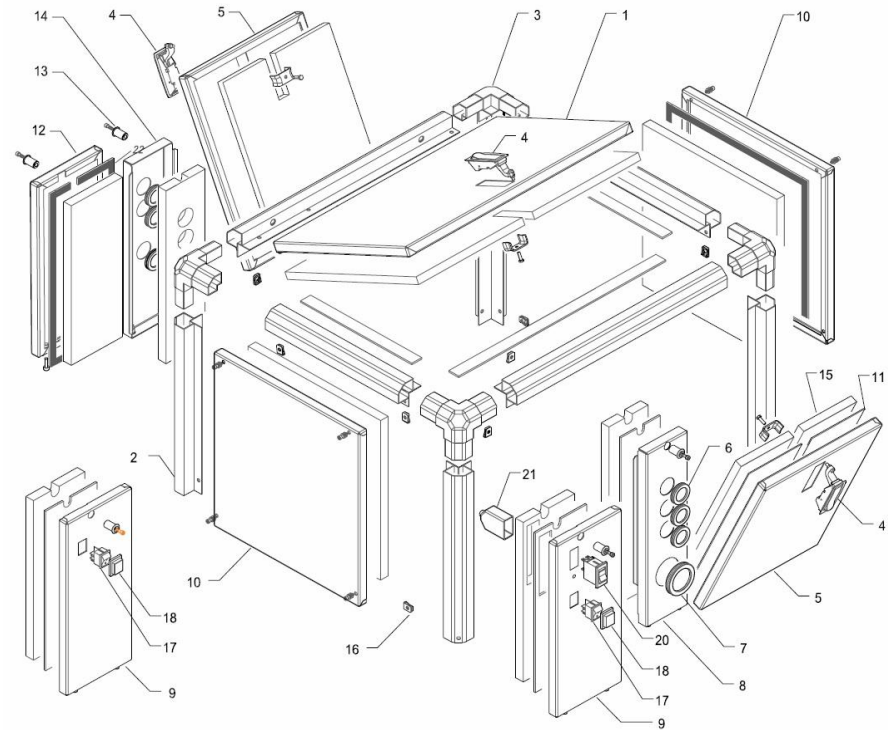




D_1484_6_1		Chassis			
FIG.	REF.	QTY	DESCR.	FROM	UPTO
1	1D020087	1	Air Manifold		
2	1D020088	2	Back Panel (Naked)		
3	1D020089	1	Right Base (Naked)		
4	1D020090	4	Grommet Dm.16		
5	1D020091	1	Fuel Pipe A1 D.8 Iso7840		
6	1D020092	1	Rubber Clamp D. 30		
7	1D020093	4	External Fixing Bracket		
8	1D020018	6	Clamp D. 10/ 16 H 9		
9	1D020094	2	Fuel Intake Nipple		
10	1D020095	4	Shock Absorber D40X30 55Sh M8 "C"		
11	1D020096	1	Left Double Shock Absorber Bracket		
12	1D020057	1	Soundproofing Kit Legetolex		
13	1D020097	1	Box Bottom (Naked)		
14	1D020098	1	Right Double Shock Absorber Bracket		
15	1D020099	1	Left Base (Naked)		
16	1D020100	2	Engine / Alternator Support Bracket		
17	1D020023	2	Cable Support		
18	1D020101	2	Grommet D.120/200/40		
19	1D020102	4	Shock Absorber D40X30 40 Sh M8 "B"		
20	1D020103	1	Fuel Nipple		



D_1484_6_2 Cabin						
FIG.	REF.	QTY	DESCR.	FROM	UPTO	
1	1D020104	1	Upper Door (Naked)			
2	1D020105	1	Draw Pieces Kit			
3	1D020106	4	Corner			
4	1D020107	3	Adjusting Closure			
5	1D020108	2	Engine Side Door (Naked)			
6	1D020023	6	Cable Support			
7	1D020109	1	Core Hitch			
8	1D020110	1	Right Panel (Naked)			
9	1D020111	1	Alternator Side Right Door (Naked)			
10	1D020112	2	Front / Rear Panel (Naked)			
11	1D020057	1	Soundproofing Kit Legetolex			
12	1D020113	1	Alternator Side Left Door (Naked)			
13	1D020114	4	Bush H 26,5			
14	1D020115	1	Left Panel (Naked)			
15	1D020116	1	Soundproofing Kit Fonomap			
16	1D020117	12	Union M6			
17	1D020118	1	O/1 Switch 2P 16A			
18	1D020119	1	Switch Cap Ip65			
19	1D020086	1	Adhesive Gasket Kronstik 15X4			
20	1D020120	1	Circuit Breaker 2P 14A			
21	1D020121	1	Switch Cover Eta 3120 2P			





D_1484_7_1 Gasket Kit						
FIG.	REF.	QTY	DESCR.	FROM	UPTO	
1	1D020319	1	Gasket Set(Non-Asb.)			
2	1D020320	1	Gasket Assy,Cyl.Head			
3	1D020321	1	O-Ring			
4	1D020322	1	Gasket, Crank Case			
5	1D020323	2	O-Ring			
6	1D020324	1	Gasket			
7	1D020325	2	Seal Washer 16S			
8	1D020166	2	Seal, Valve Stem			
9	1D020326	1	Gasket, Nozzle			
10	1D020176	1	Gasket, Bonnet			
11	1D020183	1	Gasket, Air Cleaner			
12	1D020190	1	Gasket, Muffler			
13	1D020221	1	O-Ring, Cover			
14	1D020327	1	Gasket 8, Round			
15	1D020224	1	O-Ring 1A S-22.4			
16	1D020328	1	O-Ring 1A S-15.0			
17	1D020329	3	Gasket, Air Heater			
18	1D020184	2	Gasket, Air Cleaner			
19	1D020330	1	Gasket, Air Cleaner			
20	1D020331	1	Gasket			

