



Genset 165 GT/GTC & 180 GTA/GTAC

VERSION 2023-2

SPARE PARTS MANUAL

PARTS LIST CATALOGUE

NORMS TO PLACE AN ORDER:

For fast and more efficient service, please specify the following information on spare parts orders that must be preferably done by FAX or e-mail as specified below:

- 1- Engine model: As shown in identification plate
- 2- Engine serial number: As shown in identification plate and stamped on crankcase
- 3- Item description + part number + quantity required

Spare parts requests must be addressed to:

recambios@solediesel.com

Telf.: +34 93 775 44 05

Fax: +34 93 775 30 13

The components shown in the catalog have:

- Figure: Number by which they are represented in scheme
 - Description: Trade name of the component
 - Quantity: Total number of parts used in the assembly of the part represented (may differ from the total minimum quantities)
- Hoses, indicates the total length in meters

The diagrams shown in this catalog of spare parts, have only the purpose to identify the piece in question, its representation is not meaningful and may differ from the actual piece.

In case of doubt, contact Solé Diesel, or your authorized dealer.

The parts i / or references in this catalog are subject to change without notice.

[SOLE S.A.](#)

C-243b, Km, 2 - P.O. BOX 15
08760 Martorell (Barcelona) Spain

Download the latest version of this manual [HERE](#)

Engine Body

Cylinder Head
Rocker Cover & Breather
Valve Drive
Timing Parts
Gear Case
Crankcase
Flywheel Housing
Piston & Connecting Rod
Crankshaft & Flywheel
Oil System
Oil Pan
Engine Brackets
Belt Guard (S)
Oil Cooler

Inlet & Exhaust

Inlet
Turbocharger
Spare Parts, Turbocharger
Air Cooler, Assy
Exhaust Manifold
Manifold Assy
Breather Line
Dry Exhaust Air Assy

Cooling System

Water Pump
Cooler Pipes
Water Cooler Assy SDZ-165/205/280
Expansion Tank
Key Pump SDZ-165/205/280 Gr-109/165

Fuel System

Fuel Pipe
Injection Nozzle
Fuel Injection Pump
Regulation
Fuel Filter
Feed Pump

Electrical System

24V/35A Alt. Kit
Starter
24V Electrical Wiring

Genset Alternator Spare Parts

Alternadors 165 GT/GTC Y 180
Alt.MECC.ALTEIII 180KVA 1500RPM 400/230V

ECU Box

Control Panel + Ecu Box Support Kit
Box ECU SDZ SCO-10 24V
COMAP SCO 10 Panel

Genset Alternator Kit

Alt. MECC ALTE Tri. Installation Kit (S)
3 Phase MECC ALTE Alt. Kit (C)

Chassis Spare Parts

Genset Chassis

Canopy Spare Parts

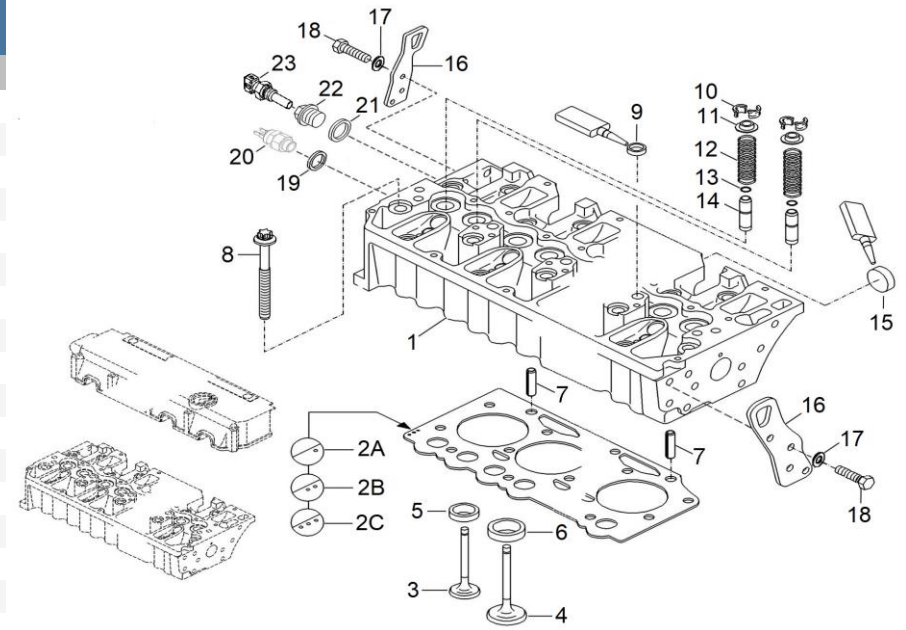
Cabin
Kit Cabin

Maintenance Kit

Gasket Kit
Fuel Filter
Hand Pump
Special Tools 1/4
Special Tools 2/4
Special Tools 3/4
Special Tools 4/4

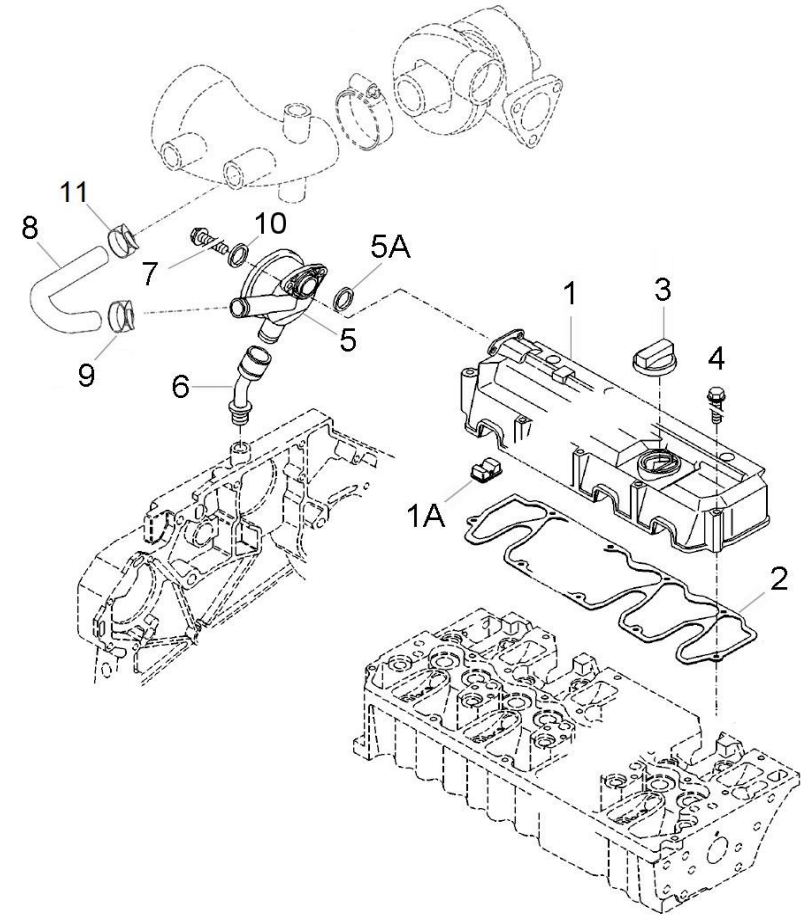


D_GS01_1_1		Cylinder Head			
FIG.	REF.	QTY	DESCR.	FROM	UPTO
1	19621001	1	Cylinder Head		
2A	19521006	1	Cylind.Head Gasket 1,54 mm		
2B	19521005	1	Cylind.Head Gasket 1,64mm		
2C	19521004.3	1	Cylind.head gasket 1,74 MM		
3	19522056	6	Exhaust Valve		
4	19522055	6	Intake Valve		
5A	19421062	6	Valve Seat INSERT		
5B	19421062.3	0	Oversize Valve seat insert - 1A [VAR]		
5C	19421062.4	0	Oversize Valve seat insert - 2 [VAR]		
6A	19421061	6	Valve Seat INSERT		
6B	19421061.1	0	OverSIZE Valve Seat INSERT - 1ST [VAR]		
6C	19421061.2	0	OverSIZE Valve Seat INSERT - 2nd [VAR]		
7	19421007	2	ClampING Bush		
8	19421005	26	Bolt,cylinder head		
9	19421008	5	CORE Hole Plug		
10	19422059	24	Valve COLLET		
11	19422058	12	VALV.Spring RETAIN		
12	19422057	12	COMPRESSION Spring		
13	19422054	12	O-Ring		
14A	19421002A	12	Valve Guide		
14B	19421002.1	12	OverSIZE Valve Guide - 1ST		
14C	19421002.2	12	OverSIZE Valve Guide - 2nd		
15	19420011.2	5	Core Hole Plug		
16	19610020	2	Bracket		
17	53033012	6	Washer Grower DIN 127-12		
18	52102361	6	Bolt DIN 933 M12-40 8.8		
19	56000069	1	Washer 14-20-1,5		
20	60994982	1	Termoswitch 2 Pole 113°C		
21	19421019	1	SeallNG Ring		
22	19417003	1	Adapter Plug		
23	19427189.1	1	Temperature transmitter		

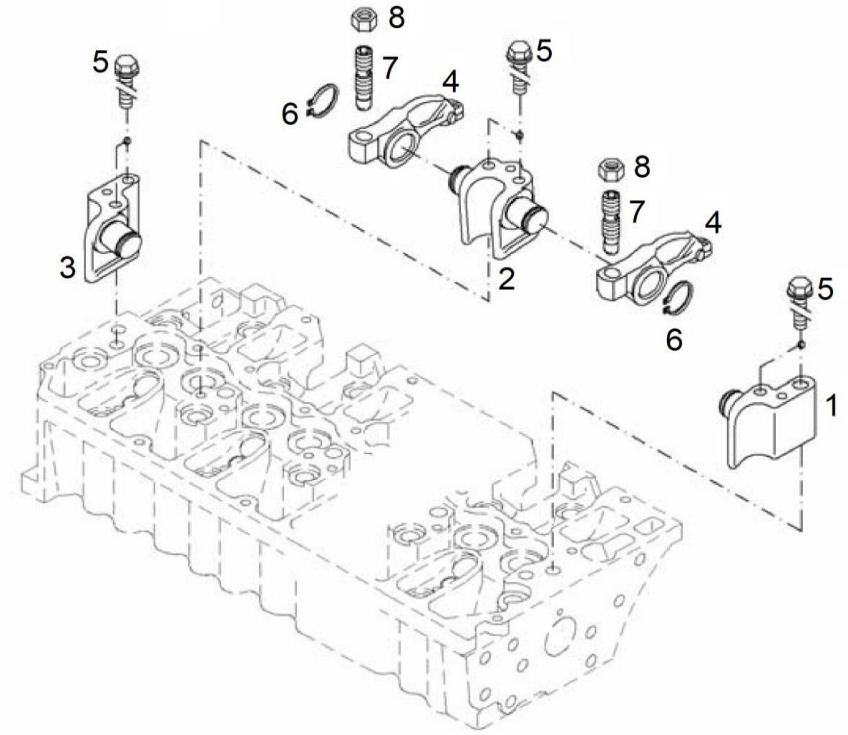


[VAR] Variable according to repair

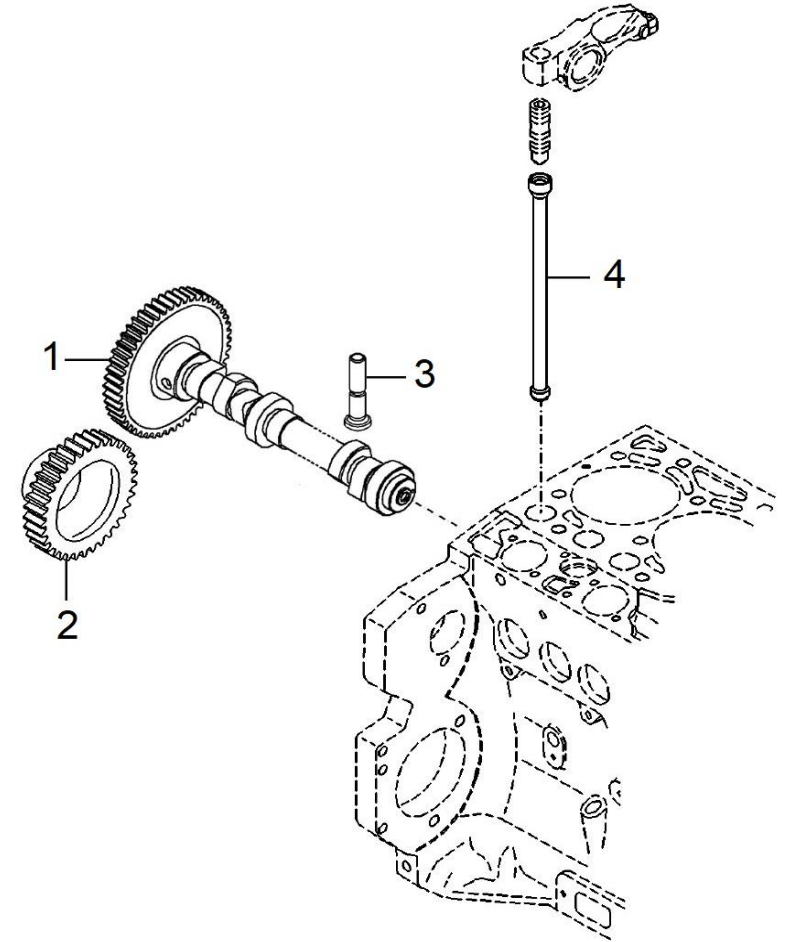
D_GS01_1_2		Rocker Cover & Breather				
FIG.	REF.	QTY	DESCR.	FROM	UPTO	
1	19521009	1	Valve MECHAN.Cover			
1A	19521011	1	Cap			
2	19521010	1	Rocker Cover Gasket			
3	19421003	1	FILLER Cap			
4	19421012	13	HEXAGON Bolt			
5	19521051	1	Pressure REGULATO			
5A	19521052	1	Gasket			
6	19621054	1	RUBBER SLEEVE			
7	19621053	2	BOLT			
8	19421057.1	1	Hose DESAirA			
9	19421056	1	Hose Clip			
10	19621056	2	WASHER			
11	54081016	1	Clamp DIN 3017 16-27/9 W4			



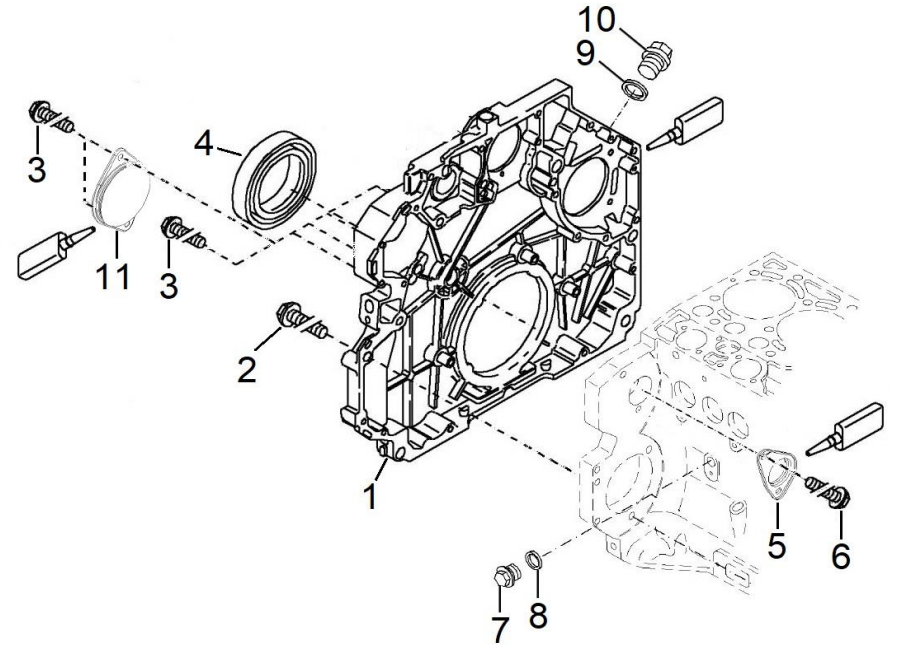
D_GS01_1_3		Valve Drive				
FIG.	REF.	QTY	DESCR.	FROM	UPTO	
1	19422045.4	1	Rocker arm bracket			
2	19422045.3	5	Rocker arm bracket			
3	19422045.5	1	Rocker arm bracket			
4	19422042	12	Rocker ARM			
5	19422053	14	HEXAGON Bolt			
6	19422047	12	CIRClip			
7	19622044	12	Screw Adjusting			
8	19422052	12	Nut			



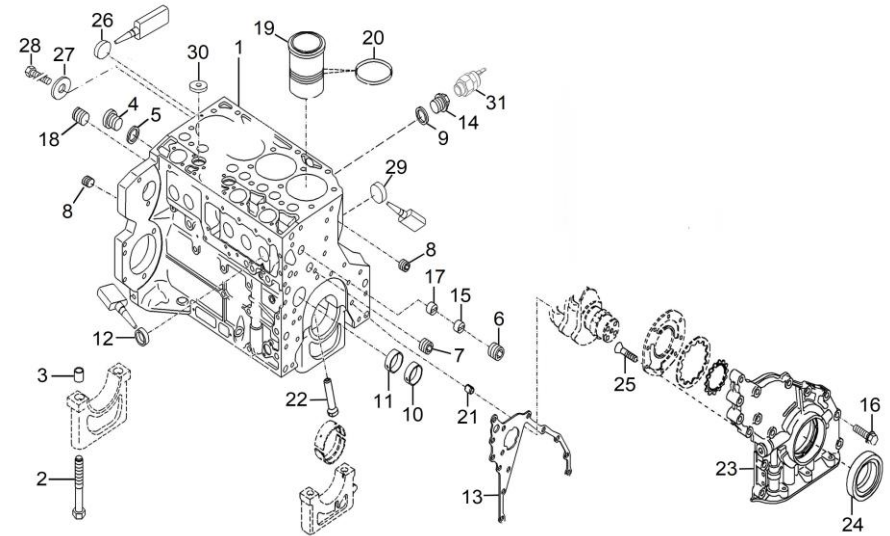
D_GS01_1_4		Timing Parts				
FIG.	REF.	QTY	DESCR.	FROM	UPTO	
1	19522035.2	1	Camshaft			
2	19421124	1	Toothed Gear			
3	19422061.1	2	Tappet			
4	19422041	2	PUSHROD			



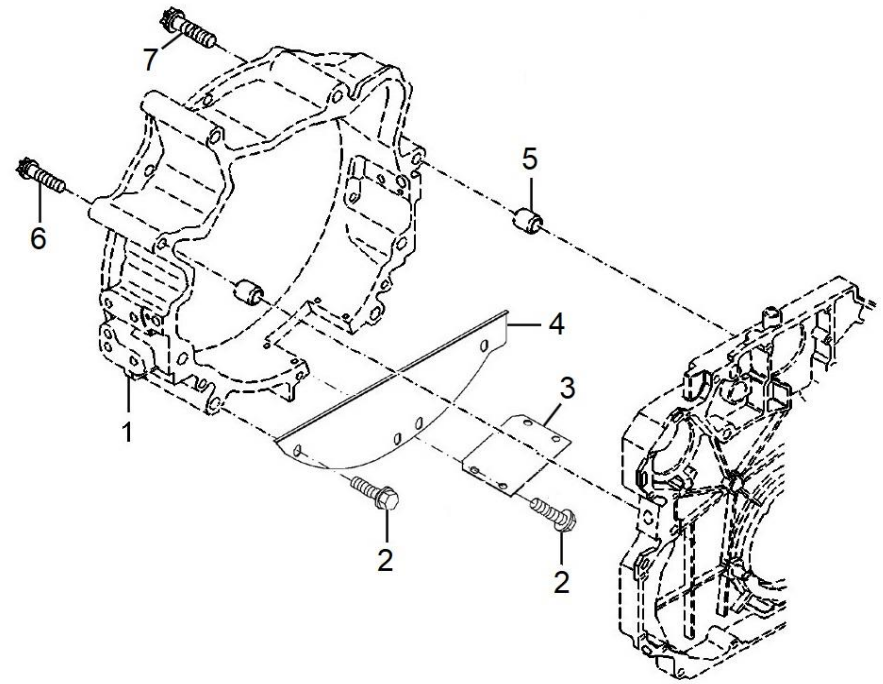
D_GS01_1_5 Gear Case						
FIG.	REF.	QTY	DESCR.	FROM	UPTO	
1	19420055.2	1	Gearcase			
2	19420027	12	Screw			
3	19421144	4	Hexagon Bolt			
4	19420039.1	1	ROT.Shaft LIP Seal			
5	19620009	1	Cover			
6	19620010	2	Hexagon Bolt			
7	19420071.1	1	Screw Plug			
8	19420059G	1	SealING Ring			
9	19421116	1	SealING Ring			
10	19421020	1	Screw Plug			
11	19420220.1	1	Cover			



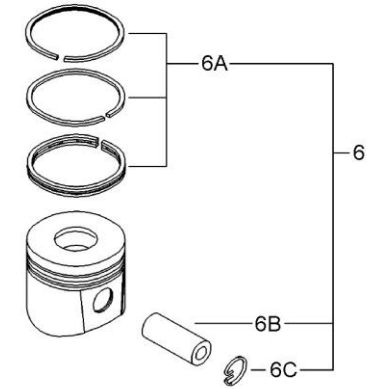
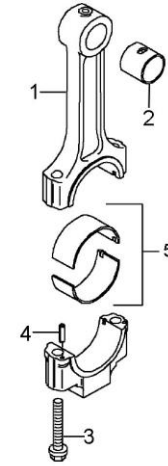
D_GS01_1_6		Crankcase				
FIG.	REF.	QTY	DESCR.	FROM	UPTO	
1	19620001	1	Crankcase			
2	19420061	14	Screw			
3	19420062	14	Bush			
4	19420063.1	1	Screw plug			
4A	19417003	1	Adapter Plug			
5	19420064	4	SeallNG Ring			
6	19420065.2	1	Screw Plug			
7	19420066.3	1	Screw plug			
8	19420067.3	2	Screw plug			
9	56000069	1	Washer 14-20-1,5			
10	19420068	6	Bearing Bush			
11	19420069	1	Bearing Bush			
12	19420070	10	CORE Hole Plug			
13	19420026	1	Gasket			
14	19417001	1	Plug			
15	19420072	1	Guide SLEEVE			
16	19420027.2	14	Hexagon Bolt			
17	19520072	1	Guide SLEEVE			
18	19420073	1	Screw Plug			
19	19420050G	6	Cylinder Liner			
20	19420074	12	O-Ring D. 115X3			
21	19420028	1	ClampING Bush			
22	19420034.2	6	Piston cool.nozzle			
23	19520025.2	1	Front cover			
24	19420008	1	ROT.Shaft LIP Seal			
26	19427163	1	Cover			
27	19427164	1	Plain Washer			
28	19420009.2	8	C.sunk head screw			
28	19427165.1	1	Hexagon bolt			
29	19420180	1	CORE Hole Plug			
30	19420215	1	Plug			
31	60900978	1	Switch, Oil Press 0.4 Bar M10x1			



D_GS01_1_7		Flywheel Housing				
FIG.	REF.	QTY	DESCR.	FROM	UPTO	
1	19420211	1	Connection Housing			
2	19428054	7	Screw			
3	19420205	1	Cover			
4	19420213	1	Cover			
5	19420210G	2	Bush			
6	19420203	2	Bolt			
7	19420204	4	Bolt			

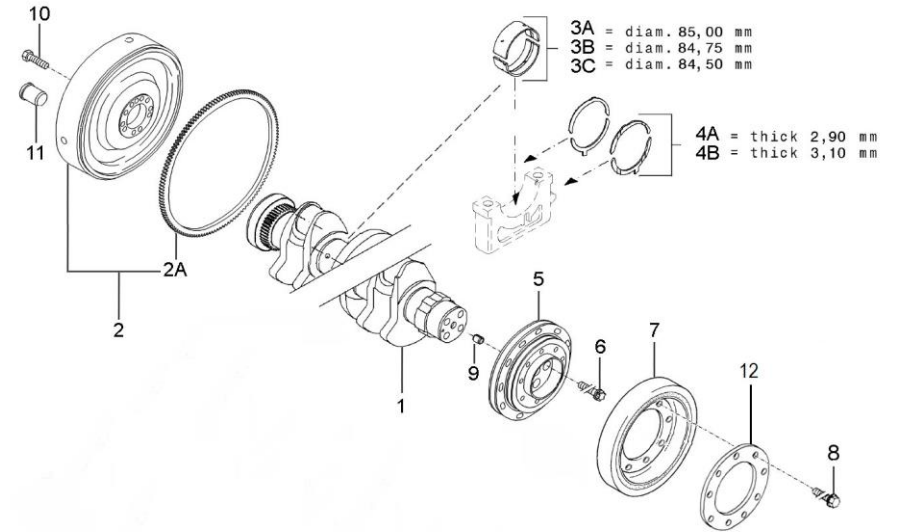


D_GS01_1_8		Piston & Connecting Rod				
FIG.	REF.	QTY	DESCR.	FROM	UPTO	
1	19620020	6	Connecting Rod			
2	19422033	6	BIG END Bush			
3	19422013	12	Bolt,connecting rod			
4	19422009	12	ClampING Bush			
5	19422014	6	BIG END Bearing Std.			
6	19422001G.1	6	Piston			
6A	19422006G.1	6	Set of Pist. Rings			
6B	19422011.1	6	Piston Pin			
6C	19422010	12	CIRClip			



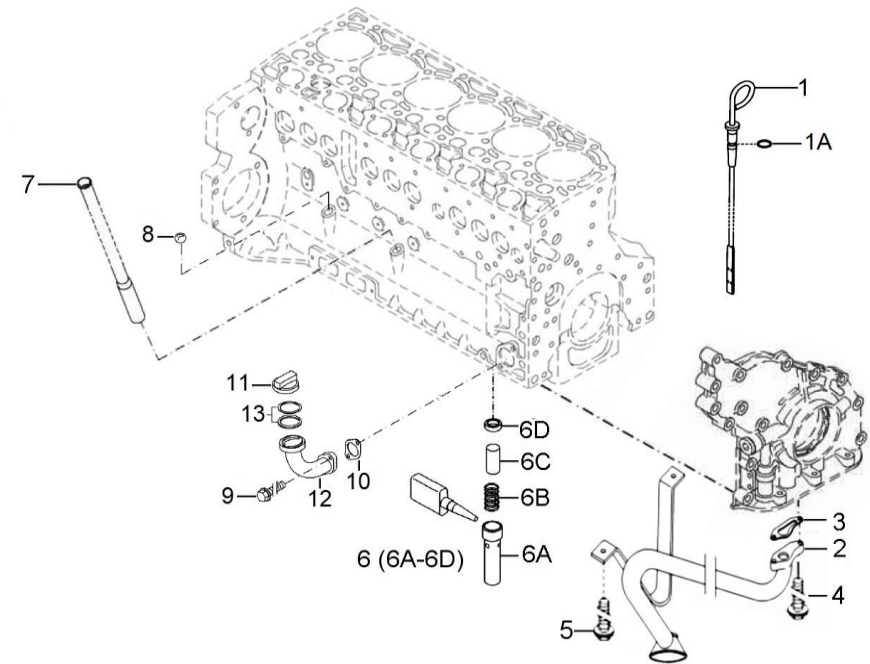


D_GS01_1_9 Crankshaft & Flywheel						
FIG.	REF.	QTY	DESCR.	FROM	UPTO	
1	19522018	1	Crankshaft			
2	19422027G	1	Flywheel			
2A	19620022	1	Gear Rim			
3A	19420003	7	Bearing Set STD.			
3B	19420004	7	Bearing Set -0,25			
3C	19420005	7	Bearing Set -0,50			
4A	19420109	2	THRUST Washer Std.			
4B	19420105	2	THRUST Washer			
5	19422024G	1	Pulley CrankShaft			
6	19422026.1	4	HEXAGON Bolt			
7	19522034	1	Damper			
8	19622026.1	9	BOLT			
9	19422036	1	ClampING Bush			
10	19422031G	10	HEXAGON Bolt			
11	19422037	5	Plug			
12	19622026.2	1	WASHER			

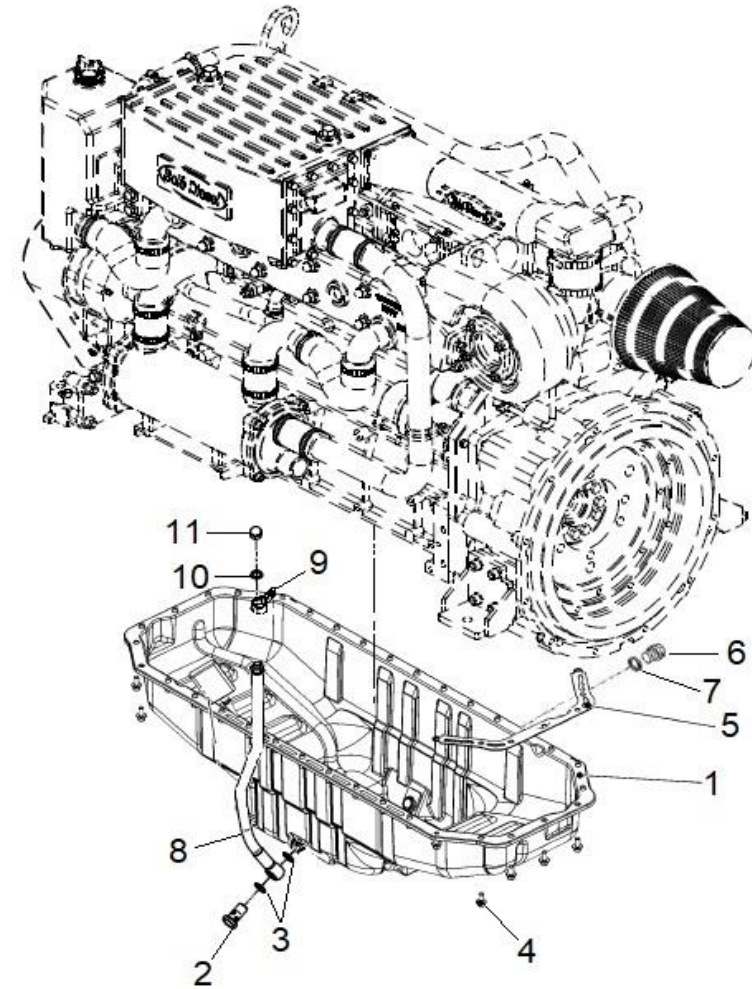




D_GS01_1_10		Oil System				
FIG.	REF.	QTY	DESCR.	FROM	UPTO	
1	19620029	1	Gauge Oil Level			
1A	19620029.2	1	O-Ring			
2	19624052	1	Oil Suction Pipe			
3	19424056.1	1	Gasket			
4	19424006	2	HEXAGON Bolt			
5	19420036	2	Screw			
6	19420040	1	Valve Assy			
6A	19420043	1	SLEEVE			
6B	19420041	1	COMPRESSION Spring			
6C	19420042	1	Valve Plunger			
6D	19420044	1	Ring			
7	19620027	1	Guide Tube			
8	19620028	1	Ball			
9	19420163	2	Screw			
10	19421076	1	Gasket			
11	19421003	1	FILLER Cap			
12	19424016	1	Oil Filler Neck			
13	19424017	1	Repair Kit			

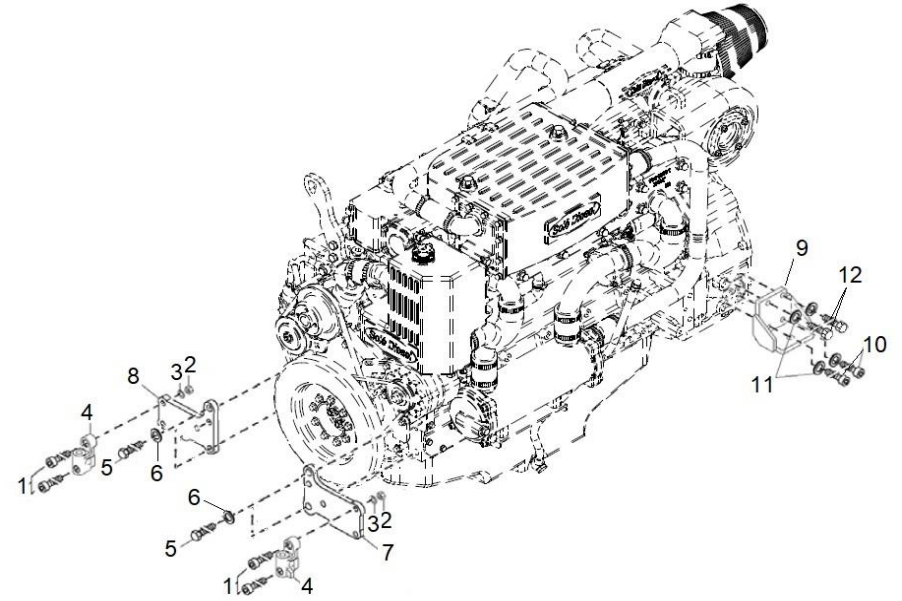


D_GS01_1_11		Oil Pan				
FIG.	REF.	QTY	DESCR.	FROM	UPTO	
1	19520030	1	Oil Pan			
2	16514022	1	Coupling,screw 18x150			
3	56000077	2	Washer 18-23-1,5			
4	19420036	34	Screw			
5	19520033	1	Gasket			
6	19420031.2	1	Screw Plug			
7	19420032.1	2	Gasket			
8	19414021	1	Oil ExtraCTION Tube			
9	18014022	1	Bracket,pipe			
10	56000217	1	Washer 13-20-3			
11	16514020	1	Plug			



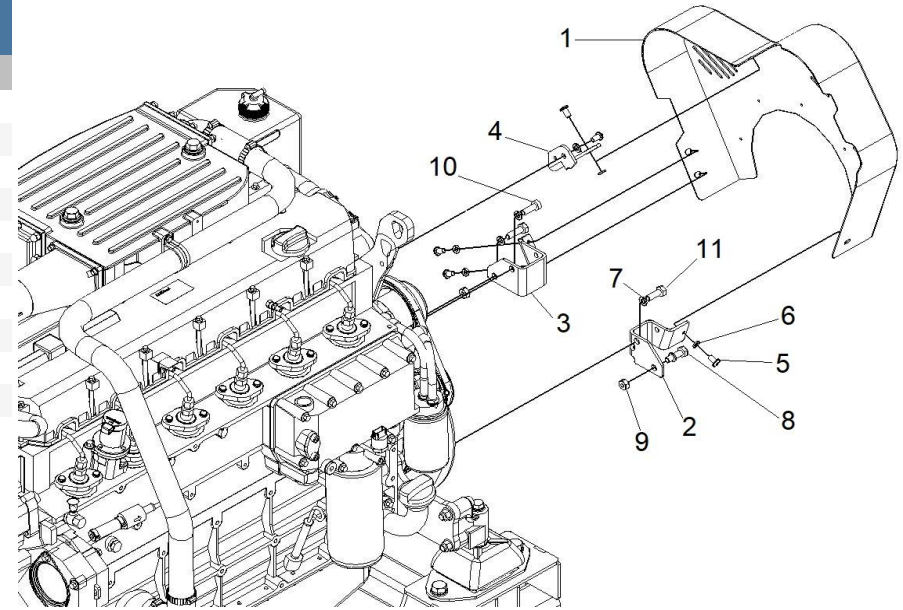


D_GS01_1_12		Engine Brackets				
FIG.	REF.	QTY	DESCR.	FROM	UPTO	
1	52101365	4	Bolt DIN 931 M12-60 8.8 CINCADO			
2	19420194	4	HEXAGON Nut			
3	51030012	4	Washer DIN 125-12			
4	19427023	2	MOUNTING FOOT			
5	19427020	4	HEXAGON Bolt			
6	19427041	4	Plain Whasher			
7	19427019	1	Bracket			
8	19427022	1	Bracket			
9	60594020	2	REAR Bracket, Genset V.			
10	53103361	4	Bolt DIN 912 M12-40 12.9			
11	53033012	8	Washer Grower DIN 127-12			
12	52102361	4	Bolt DIN 933 M12-40 8.8			

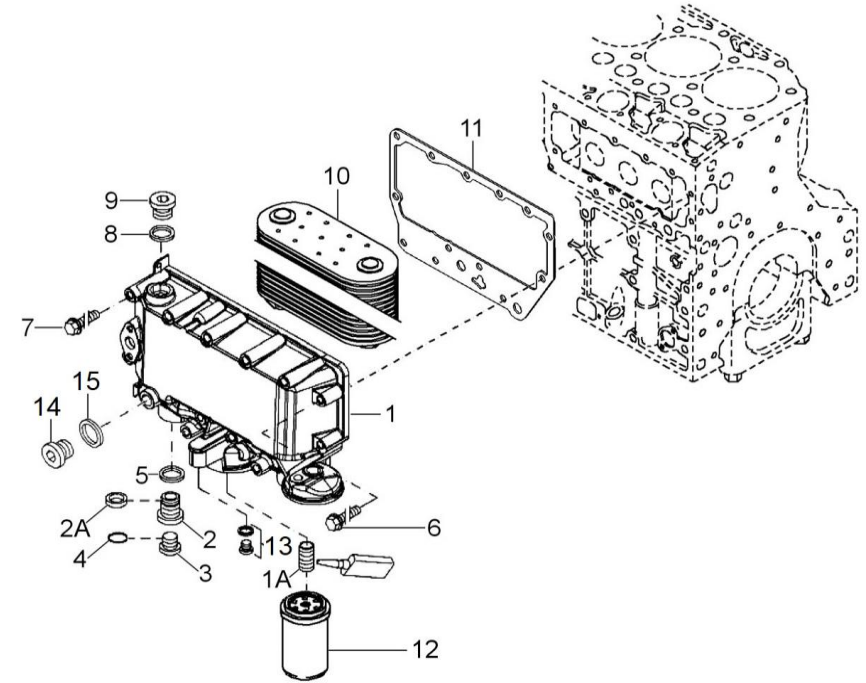




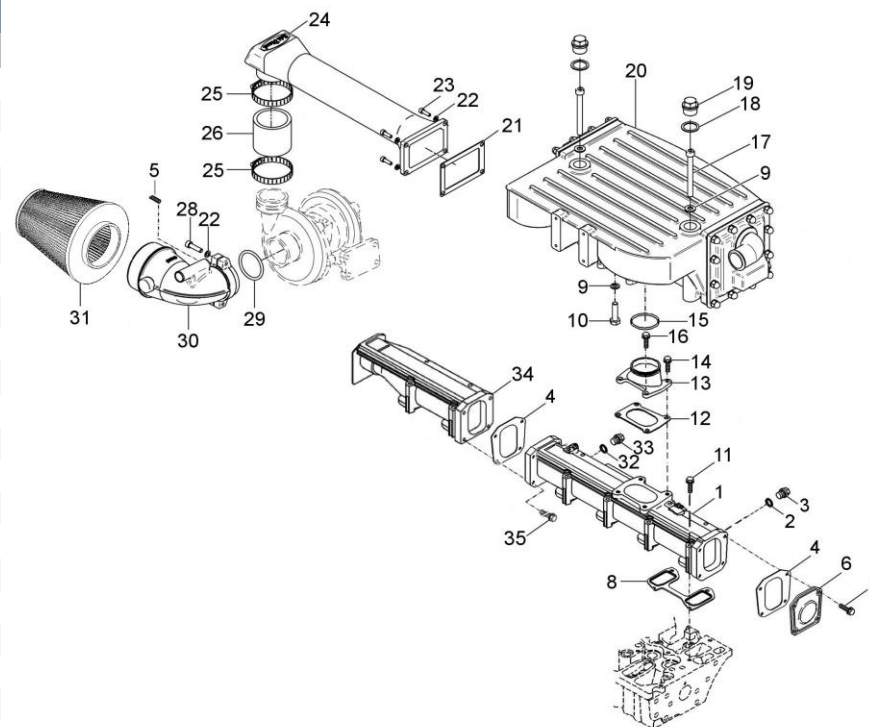
D_GS01_1_13		Belt Guard (S)				
FIG.	REF.	QTY	DESCR.	FROM	UPTO	
1	19610031.01	1	Belt Guard			
2	19610031.03	1	Belt Guard Right Bracket			
3	19610031.02	1	Belt Guard Left Bracket			
4	19610031.04	1	Belt Guard Top Bracket			
5	52117256	5	Bolt DIN 7380 M8-16 10.9			
6	53033008	5	Washer GROWER DIN 127-8			
7	53033010	4	Washer GROWER DIN 127-10			
8	52102310	2	Bolt DIN 933 M10-35 8.8			
9	52120010	2	Nut DIN 934 M10 8.8			
10	52103309	1	Bolt DIN 912 M10-30 8.8			
11	52102309	1	Bolt DIN 933 M10-30 8.8			



D_GS01_1_14		Oil Cooler				
FIG.	REF.	QTY	DESCR.	FROM	UPTO	
1	19422110.2	1	Oil cooler box			
1A	19422114	1	Bush			
2	19422111	1	COLLAR Screw			
2A	19422115	1	SeallNG Ring			
3	19422112.1	1	Screw plug			
4	19422113	1	O-Ring			
5	19422118	1	SeallNG Ring			
6	19422120	3	HEXAGON Bolt			
7	19422124	10	HEXAGON Bolt			
8	19610020	1	Bracket			
9	19422125.1	1	Screw plug			
10	19620023	1	Oil Cooler			
11	19424084	1	Gasket			
12	19424051	1	Oil Filter Element SDZ 165/205/280			
13	19424088.1	1	Screw plug			
14	19424081.1	1	Screw plug			
15	19424082	1	SeallNG Ring			



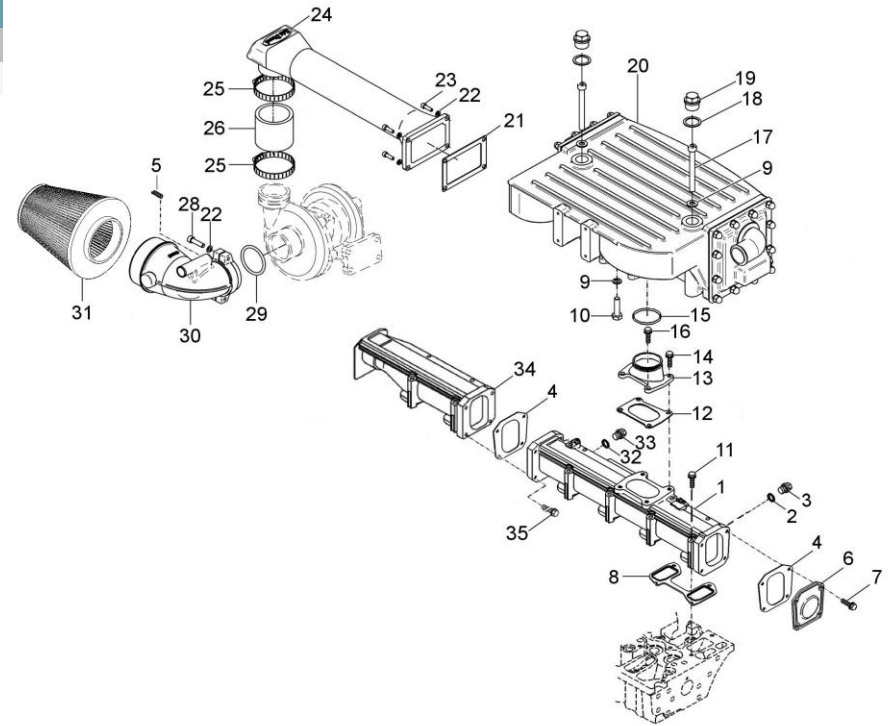
D_GS01_2_1		Inlet			
FIG.	REF.	QTY	DESCR.	FROM	UPTO
1	19421080	1	CHARGE Air Pipe		
2	19420059G	1	SeallNG Ring		
3	19420063.1	1	Screw plug		
4	19421047	2	Gasket		
5	52111253	1	ROD DIN 913 M8-8 8.8		14/06/2022
5	52111255	1	ROD DIN 913 M8-12 8.8	14/06/2022	
6	19421045	1	Cover		
7	19420036	4	Screw		
8	19421063	3	Gasket		
9	56000061	3	Washer 10-16-1,5		
10	52102306	1	Bolt DIN 933 M10-15 8.8		
11	19421012	12	HEXAGON Bolt		
12	19410037	1	Gasket		
13	19410014	1	Adaptor		
14A	52102158	4	Bolt DIN 933 M6-25 8.8	29/09/2019	
14B	51030006	4	Washer DIN 125-6	29/09/2019	
14C	53033006	4	Washer GROWER DIN 127-6	29/09/2019	
15	19421033	1	O-Ring D. 70X5 VITON		
16	52102157	1	Bolt DIN 933 M6-20 8.8		
17	52103321.2	2	Bolt DIN 912 M10-92 8.8		
18	56000093	2	Washer 26-34-1,5		
19	51218759	2	Bolt DIN 910 M26X1.5		
20	19410016.20	1	Air Cooler, Assy [NP]		
22	53038008	6	Washer DIN 6798-A 8		
23	52103257	4	Bolt DIN 912 M8-20 8.8		
24	19610017	1	Turbocharger, Adaptor		
25	54083085	2	GP Clamp 79-85 W4 STC		
26	19610014	1	Hose		
28	52103259	2	Bolt DIN 912 M8-30 8.8		
29	19610021	1	O-Ring D. 90X4 VITON		
30	19610015	1	Bracket, Air Filter		
31	19410032	1	Air Filter		
32	19424087	1	SeallNG Ring		
33	19424086.1	1	Screw plug		
34	19620024	1	Charge Air Pipe		



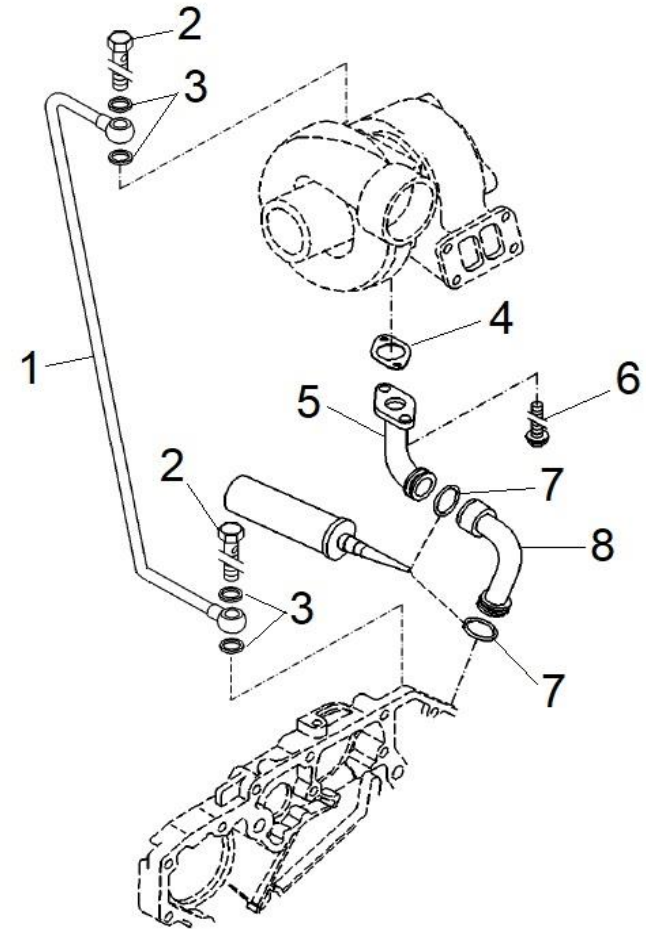
[NP] Not provided



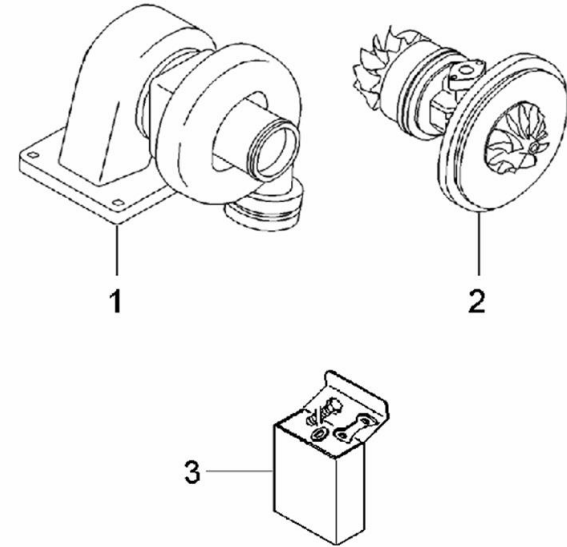
D_GS01_2_1		Inlet				
FIG.	REF.	QTY	DESCR.	FROM	UPTO	
35	19620025	4	Hexagon Bolt			



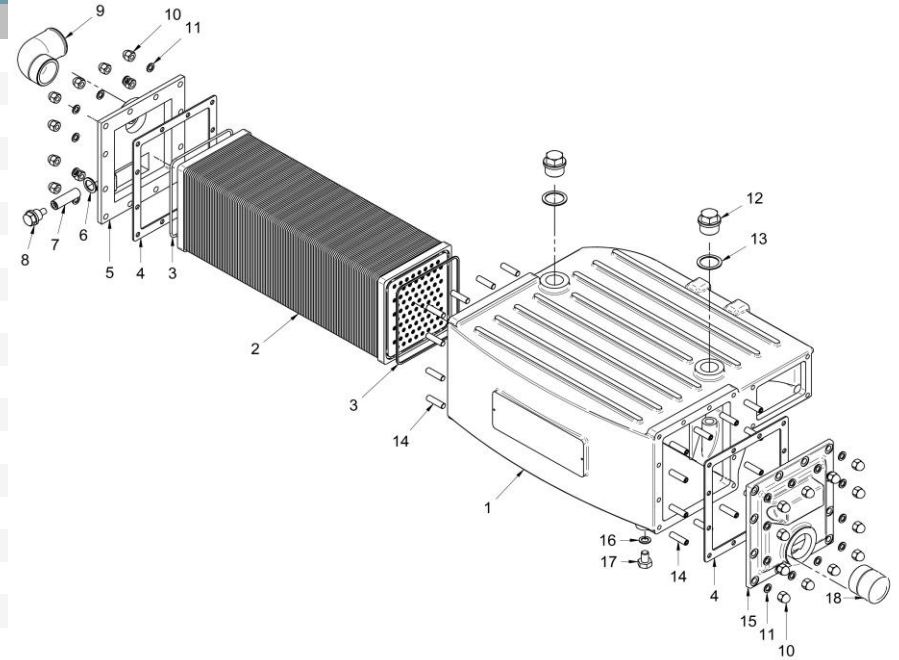
D_GS01_2_2		Turbocharger				
FIG.	REF.	QTY	DESCR.	FROM	UPTO	
1	19428017	1	Lubricat. Oil Line			
2	19424066.1	2	Hollow screw			
3	19421016	4	SeallNG Ring			
4	19428062	1	Gasket			
5	19628011	1	Return Line			
6	19420163	2	Screw			
7	19428063	2	SeallNG Ring			
8	19428016	1	Return Line			



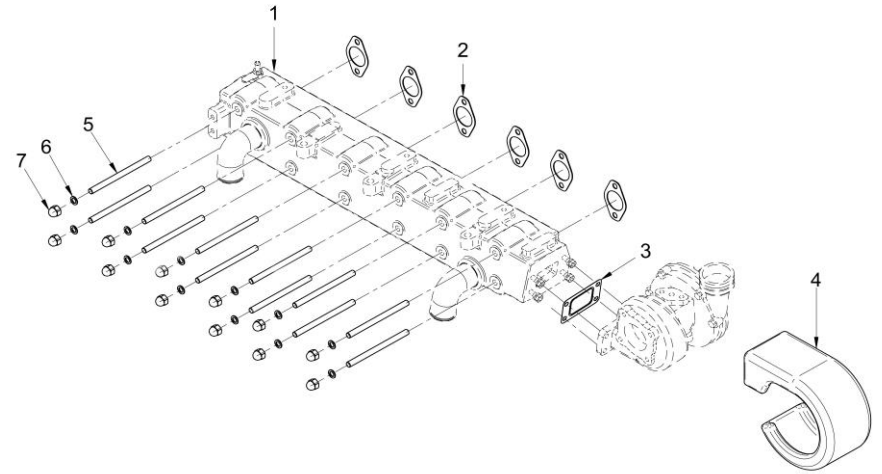
D_GS01_2_3		Spare Parts, Turbocharger				
FIG.	REF.	QTY	DESCR.	FROM	UPTO	
1	19528012.1	1	Turbocharger, Assy			
2	19628012.1A	1	CORE Assembly, TURBO			
3	19628012.1B	1	REPAir Kit, TURBO			



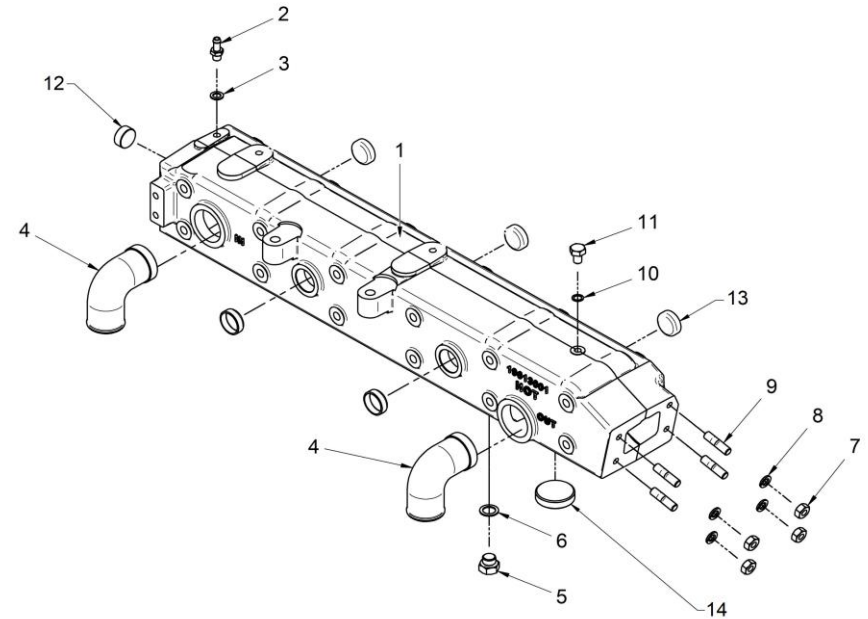
19410016.20		Air Cooler, Assy				
FIG.	REF.	QTY	DESCR.	FROM	UPTO	
1	19410016.10B	1	Housing			
2	19410016.40	1	Heat Exchanger InterCooler			
3	19410016.12	2	O-Ring INTERCooler			
4	19410016.7B	2	Gasket			
5	19410016.8	1	Intercooler cover, Preinstallation Anode			
6	56000073	1	Copper Washer 16-23-1,5			
7	18011031	1	Engine Anode 45 mm M.8			
8	18011009	1	Anode Plug			
9	16511009	1	Elbow			
10	55122008	24	Nut DIN 1587 M8			
11	56000057	24	Washer 8-13-1,5			
12	51218759	2	Bolt DIN 910 M26X1.5			
13	56000093	2	Washer 26-34-1,5			
14	52111259	24	ROD DIN 913 M8-30 8.8			
15	19410016.9	1	Cover			
16	56000061	1	Washer 10-16-1,5			
17	52102306	1	Bolt DIN 933 M10-15 8.8			
18	19411048	1	Coupling			



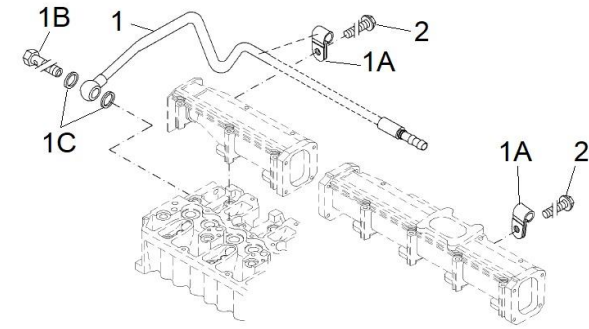
D_GS01_2_4		Exhaust Manifold				
FIG.	REF.	QTY	DESCR.	FROM	UPTO	
1	19613000	1	Manifold,Assy			
2	19421181.2	6	Gasket			
3	19421183.4	1	Gasket			
4	19118010	1	Termic,bucklers			
5	19513002	12	Stud			
6	56000061	12	Washer 10-16-1,5			
7	13511013	12	Nut DIN 1587 M10			



D_SD28_2_6		Manifold Assy				
FIG.	REF.	QTY	DESCR.	FROM	UPTO	
1	19613001	1	Exhaust Manifold			
2	13814072	1	Straight Hose Connector 1/8" NPTF			
3	56000061	1	Washer 10-16-1,5			
4	19111015	2	Elbow 90° 1 1/2"			
5	12111076	1	Plug			
6	56000073	1	Copper Washer 16-23-1,5			
7	52120010	4	Nut DIN 934 M10 8.8			
8	53033010	4	Washer GROWER DIN 127-10			
9	16511007	4	Stud			
10	56000011	1	Washer			
11	52102306	1	Bolt DIN 933 M10-15 8.8			
12	19613012	1	Plug			
13	19411035	5	Plug			
14	19011019	1	Plug			

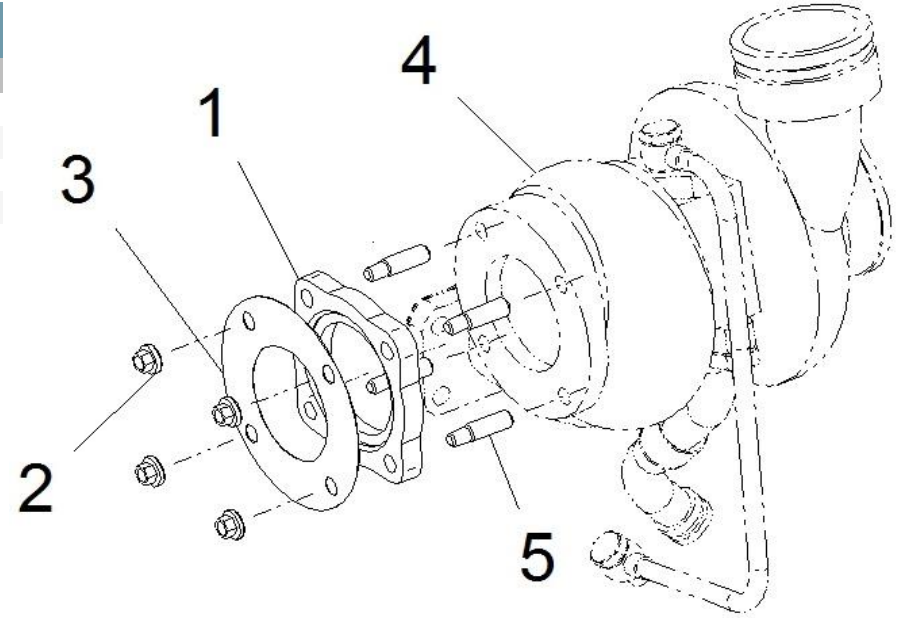


D_GS01_2_5		Breather Line				
FIG.	REF.	QTY	DESCR.	FROM	UPTO	
1	19620032	1	Breather Line			
1A	19428055	3	Pipe Clamp			
1B	19421091.1	1	Screw			
1C	19424091	2	Retention Valve			
2	19428054	3	Screw			

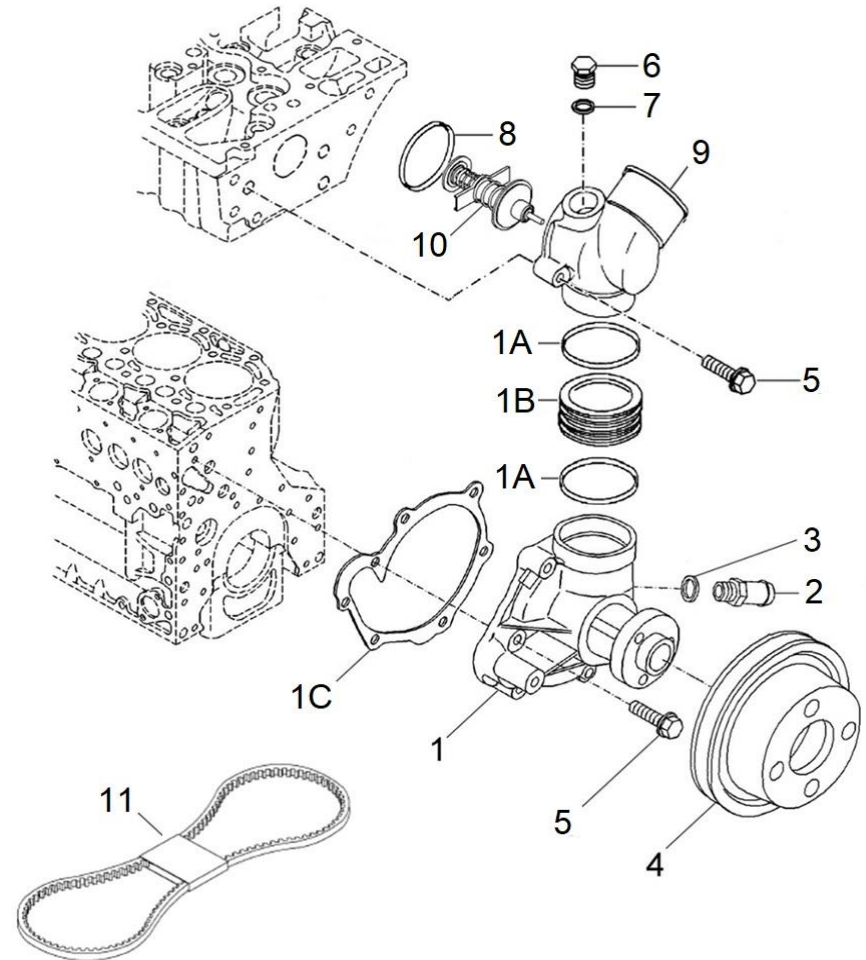




D_GS01_2_7		Dry Exhaust Air Assy				
FIG.	REF.	QTY	DESCR.	FROM	UPTO	
1	19513115.1	1	Adaptor			
2	51125008	4	Nut Exhaust			
3	19613013	1	Gasket			
4	19628012.1	1	Turbocharger, Assy			
5	19613016	4	Turbo Stud M8-M10			

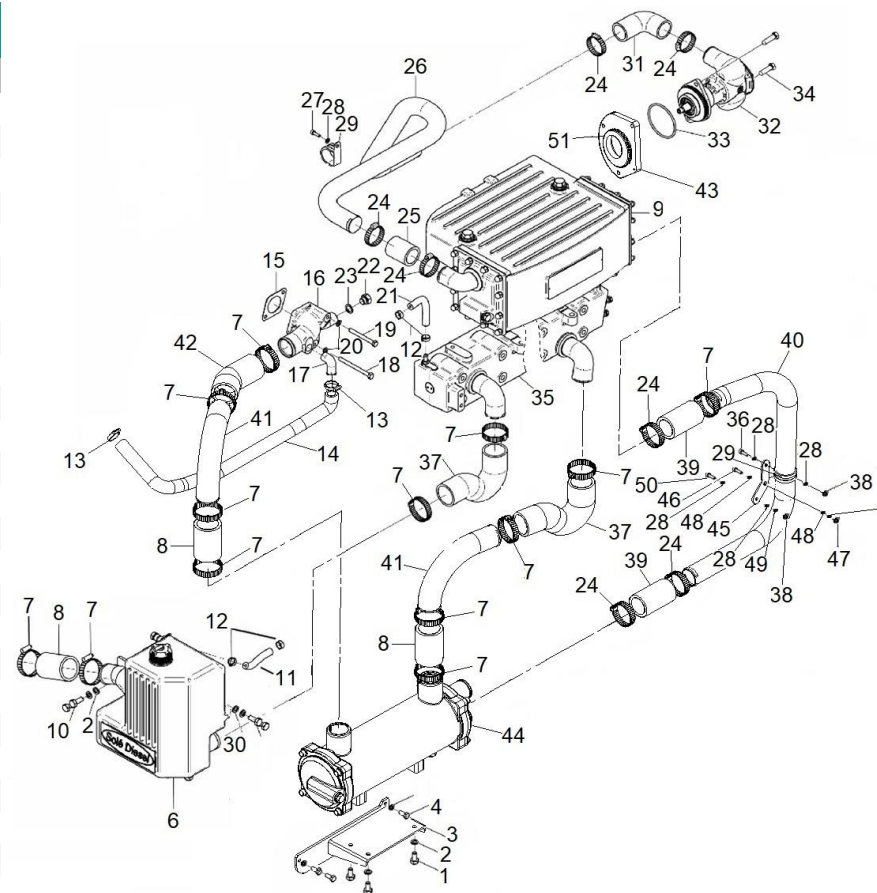


D_GS01_3_1		Water Pump				
FIG.	REF.	QTY	DESCR.	FROM	UPTO	
1	19421006	1	Fresh Water Pump			
1A	19421044	2	O-Ring			
1B	19421042	1	Plug			
1C	19421040	1	Flat Gasket			
2	19421089	1	Hose Connector			
3	19424064	1	Sealling Ring			
4	19421094	1	Pulley			
5	19420027.2	9	Hexagon Bolt			
6	19420165	1	VENT Plug			
7	57000361	1	Washer 10-14-1,5			
8	19421041	1	O-Ring			
9	19521027.1C	1	Thermostat			
9	19521093	1	Thermostat			
10	19521029	1	Thermostat	05/03/2020		
11	17521028	1	Belt Type AX 45 1175			





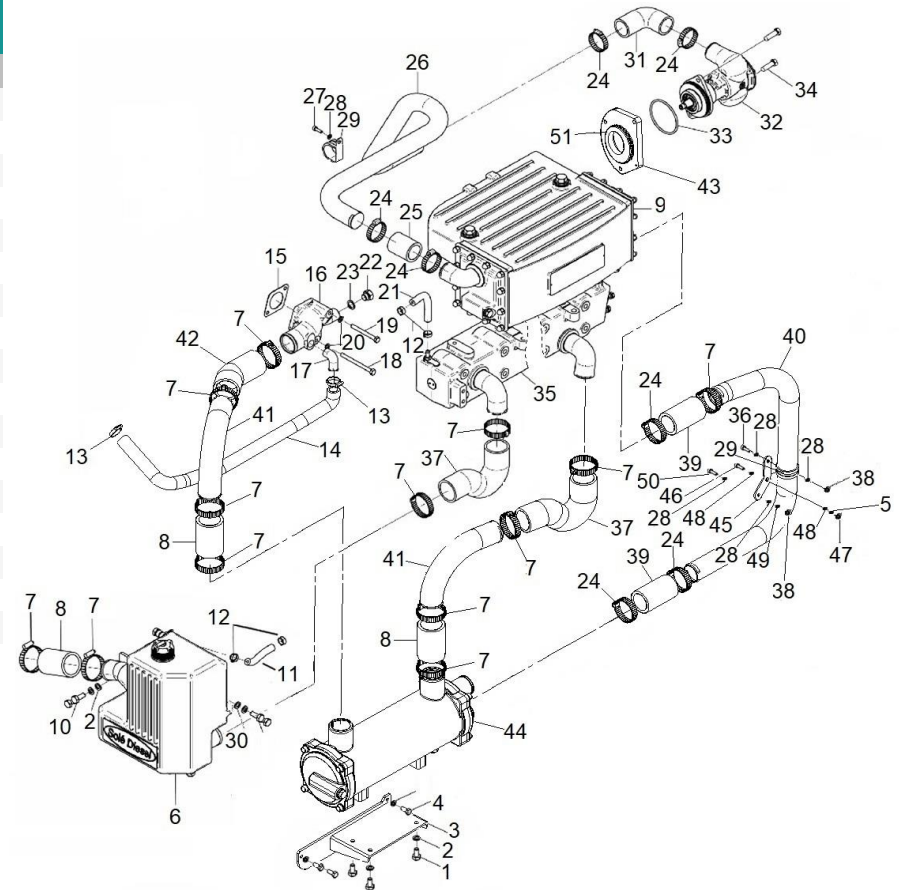
D_GS01_3_2		Cooler Pipes			
FIG.	REF.	QTY	DESCR.	FROM	UPTO
1	52102307	4	Bolt DIN 933 M10-20 8.8		
2	53033010	6	Washer GROWER DIN 127-10		
3	19411014G	1	Refrigerator Support		
4	52102257	4	Bolt DIN 933 M8-20 8.8		
5	53033008	5	Washer GROWER DIN 127-8		
6	19411009	1	Expansion Tank		
7	54082050	13	Clamp DIN 3017 50-70/12 W4		
8	19411043	3	Pipe 48-60-85		
9	19410016.20	1	Air Cooler, Assy [NP]		
10	52102308	2	Bolt DIN 933 M10-25 8.8		
11	19411042	1	Hose		
12	54081008	4	Clamp DIN 3017 8-16 W4		
13	54081020	2	Clamp DIN 3017 20-32/9 W4		
14	M81560022	1	Cooling Hose SDZ Group Earth Isolated D. 22		
14	M87502029	1	Water Intake Hose (HQ) D. 20-28		
15	19411010	1	Gasket		
16	19411011	1	Cooler Water Inlet BEND		
17	13211027	1	Water Inlet Bend		
18	52101273	1	Bolt DIN 931 M8-100 8.8		
19	52101269	1	Bolt DIN 931 M8-80 8.8		
20	53038008	2	Washer DIN 6798-A 8		
21	19411041	1	Purge Hose		
22	12111076	1	Plug		
23	56000073	1	Copper Washer 16-23-1,5		
24	54082032	7	Clamp DIN 3017 32-50/12 W4		
25	19411044	1	Pipe 38-50-104		
26	19611034	1	From Intercooler to Pump Pipe		
27	52103157	1	Bolt DIN 912 M6-20 8.8		
28	51030006	4	Washer DIN 125-6		
29	59071452	2	Clamp 1 42/15 W1		
30	53038010	2	Washer DIN 6798-A 10		
31	19411015	1	Elbow		
32	39411000	1	Key Pump SDZ-165/205/280 Gr-109/165		
33	19420221	1	O-Ring D. 82X4 VITON		
34	52102154	2	Bolt DIN 933 M6-10 8.8		



[NP] Not provided

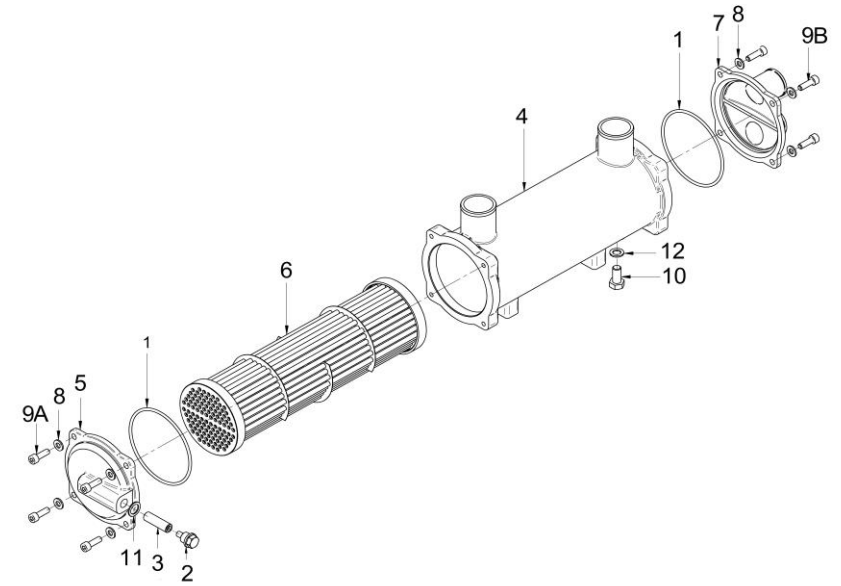


D_GS01_3_2		Cooler Pipes			
FIG.	REF.	QTY	DESCR.	FROM	UPTO
35	19613000	1	Manifold,Assy		
36	52102157	1	Bolt DIN 933 M6-20 8.8		
37	19411019	2	Hose		
38	52120006	2	Nut DIN 934 M6 8.8		
39	19411045	2	Pipe 42-54-90		
40	19611036	1	Pipe		
41	19611038	2	Pipe		
42	19611039	1	Hose		
43	19610060	1	Pump Adaptor		
44	19411000	1	Water Cooler Assy SDZ-165/205/280		
44	19411000R	1	Water Cooler Assy SDZ-165/205/280		
45	19611040	1	Pipe Bracket		
46	52102261	1	Bolt DIN 933 M8-40 8.8		
47	54120008	1	Nut DIN 934 M8		
48	51030008	2	Washer DIN 125-8		
49	53033006	1	Washer GROWER DIN 127-6		
50	52102161	1	Bolt DIN 933 M6-40 8.8		
51	19410023G	1	O-Ring D. 78X4 VITON		

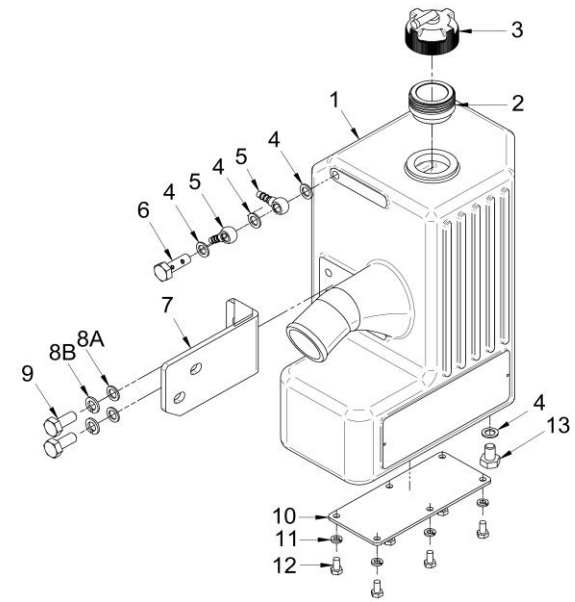




19411000		Water Cooler Assy SDZ-165/205/280			
FIG.	REF.	QTY	DESCR.	FROM	UPTO
1	16711007	2	O-Ring D. 116X4		
2	18011009	1	Anode Plug		
3	18011031	1	Engine Anode 45 mm M.8		
4	19411001	1	Body, Water Cooler		
5	19411003	1	Water Cooler Cover		
6	19411004	1	Tubular Bundle		
7	19411006	1	Water Cooler Cover		
8	51030008	8	Washer DIN 125-8		
9A	52103257	7	Bolt DIN 912 M8-20 8.8		
9B	52103258	1	Bolt DIN 912 M8-25 8.8		
10	54102356	1	Bolt DIN 933 M12-16 INOX.		
11	56000073	1	Copper Washer 16-23-1,5		
12	56000115	1	Washer 12-20-2		

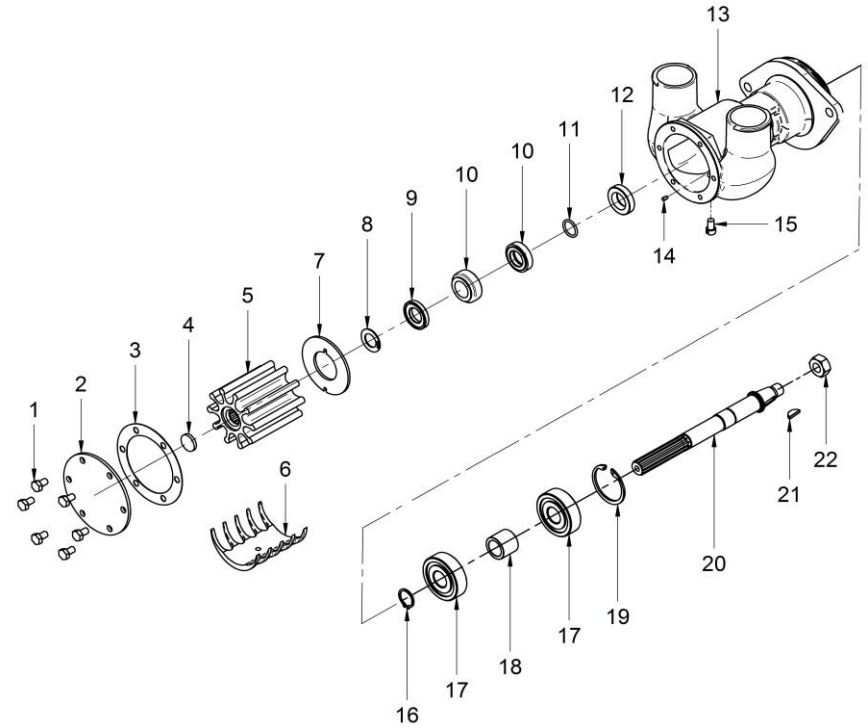


19411009 Expansion Tank						
FIG.	REF.	QTY	DESCR.	FROM	UPTO	
1	19411009.1	1	Expansion Tank, Body			
2	17411004	1	Adapter, MTA Cap			
3	13811010	1	Cap			
4	56000061	4	Washer 10-16-1,5			
5	17614016	2	COLLAR,Union			
6	19411040	1	1/8" GAS HOLLOW Screw			
7	19411009.2	1	Bracket			
8A	51030010	2	Washer DIN 125-10			
8B	53033010	2	Washer GROWER DIN 127-10			
9	52102307	2	Bolt DIN 933 M10-20 8.8			
10	18211002	1	Cover			
11	53033006	6	Washer GROWER DIN 127-6			
12	52102155	6	Bolt DIN 933 M6-12 8.8			
13	52102306	1	Bolt DIN 933 M10-15 8.8			

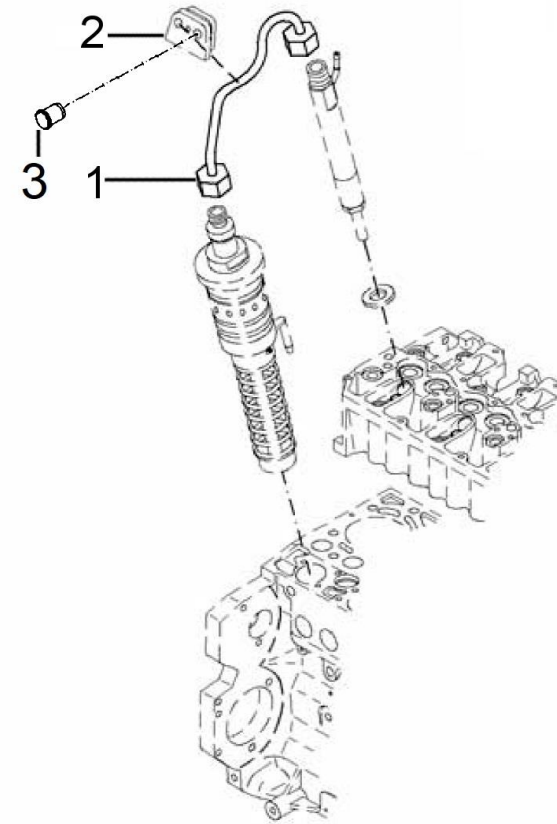




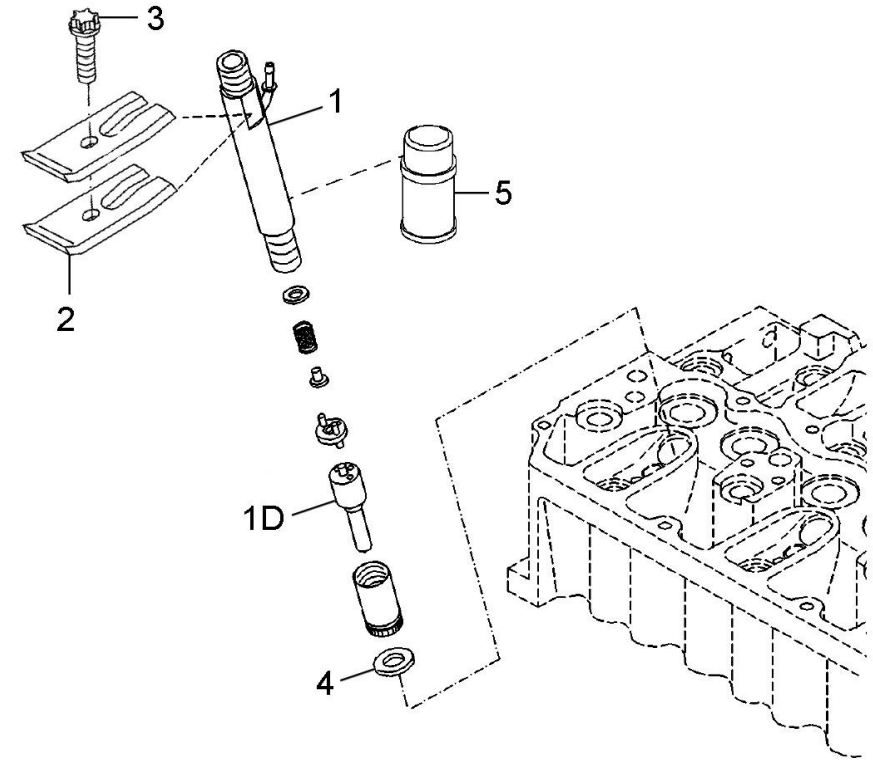
39411000		Key Pump SDZ-165/205/280 Gr-109/165			
FIG.	REF.	QTY	DESCR.	FROM	UPTO
1	54102154	6	Bolt DIN 933 M6-10 INOX		
2	34711002	1	Cover Pump		
3	34711003	1	Gasket Cover		
4	34711041	1	Impeller Plug		
5	39411008	1	1" L.68 Impeller		
6	39411005	1	Cam		
7	34711026	1	Plate,Friction		
8	54040016	1	CIRClip E-16		
9	36511018	1	Washer,seal		
10	36511019	1	Seal		
11	33311013	1	O-Ring D. 15X2		
12	36511020	1	Seal 16-30-7		
13	39411001	1	Body,Water Pump		
14	36511017	1	Pin,Dowel		
15	54108154	1	Bolt DIN 84 M6-10		
16	53040017	1	Circlip DIN 471 E-17		
17	18017083	2	Ball Bearing 6303-RDD		
18	39411015	1	Separator Bearings		
19	53041047	1	CIRClip DIN 472 I-47		
20	39411010	1	Shaft		
21	35111035	1	KEY DIN 6888 3-6,5-16 INOX		
22	54121012	1	Nut DIN 439 M12		



D_GS01_4_1		Fuel Pipe				
FIG.	REF.	QTY	DESCR.	FROM	UPTO	
1	19424052	6	Pipe Injection			
2	19421018	6	Rubber Seal			
3	19424068	6	Plug			

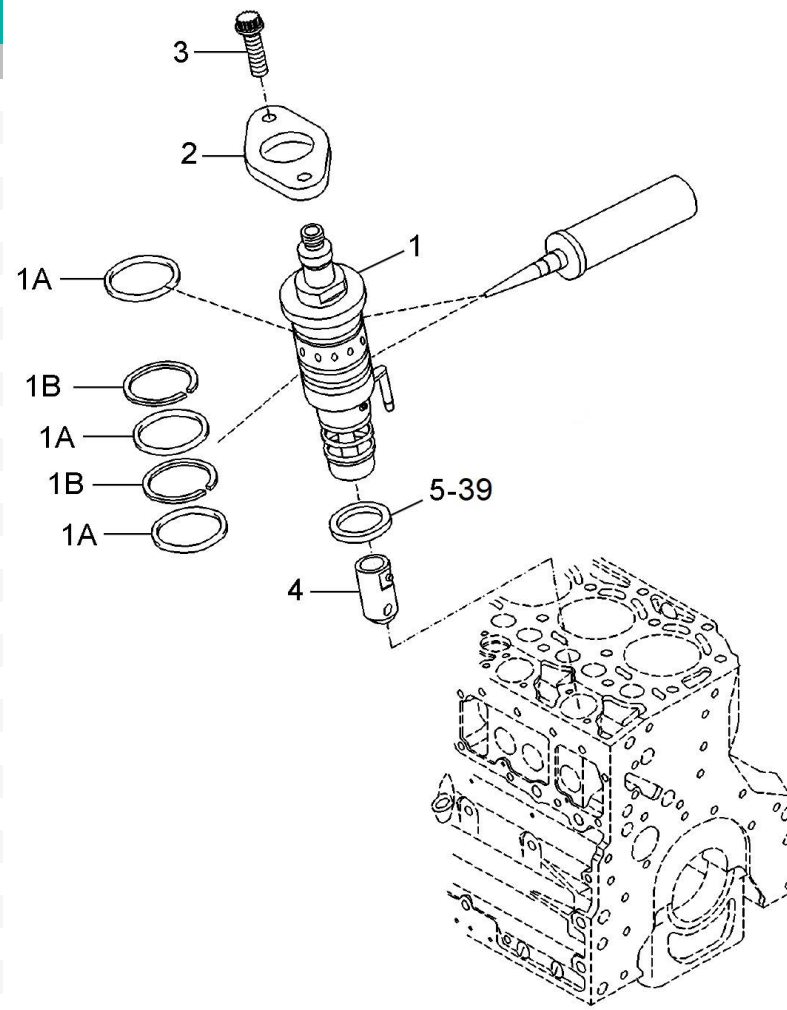


D_GS01_4_2		Injection Nozzle				
FIG.	REF.	QTY	DESCR.	FROM	UPTO	
1	19626001	6	Fuel Injector			
1D	19426018G	6	Nozzle Element			
2	19426010	12	Flange			
3	19426011	6	Bolt			
4	19426012	6	Sealing Ring			
5	19426013	6	ANTI-RUST AGENT			



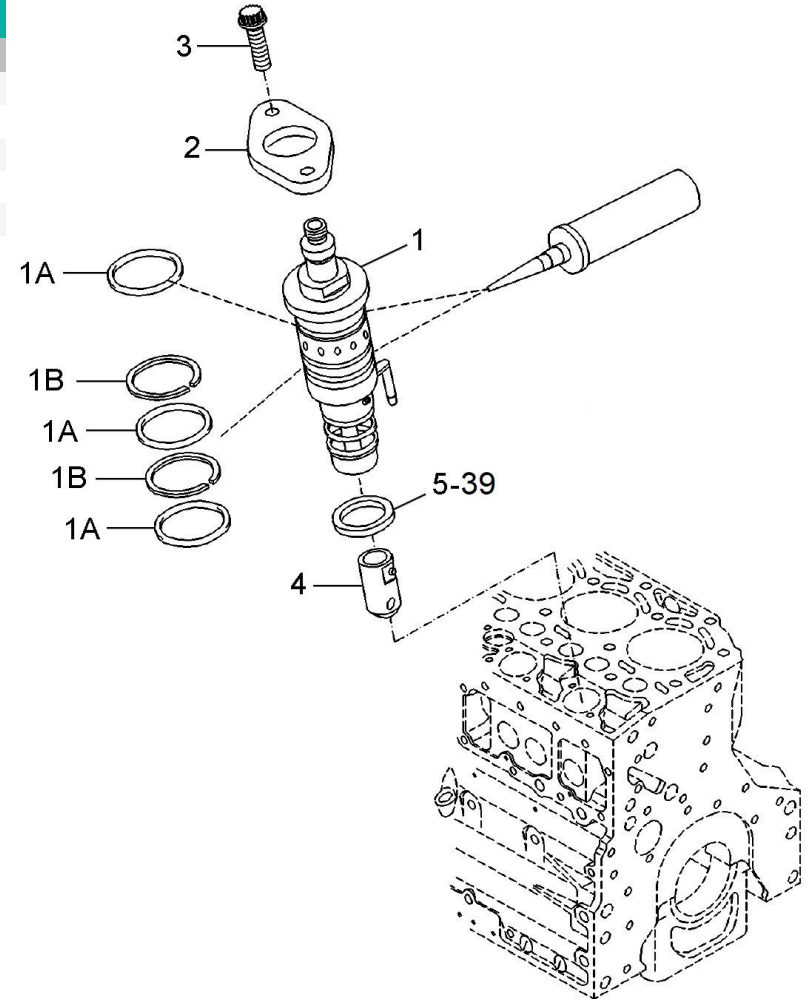
D_GS01_4_3 Fuel Injection Pump

FIG.	REF.	QTY	DESCR.	FROM	UPTO																																																																																																																																									
1	19425001	6	Pump Assy,Fuel Injection																																																																																																																																											
1A	19425002	18	O-Ring D. 40X3,5																																																																																																																																											
1B	19425003	12	Shim																																																																																																																																											
2	19420110	6	Flange																																																																																																																																											
3	19420111	12	COLLAR Screw																																																																																																																																											
4	19420090	6	Roller Tappet																																																																																																																																											
5	19420112	6	Washer 1,0mm																																																																																																																																											
6	19420114	0	Washer 1,1mm [VAR]																																																																																																																																											
7	19420115	0	Washer 1,2mm [VAR]																																																																																																																																											
8	19420116	0	Washer 1,3mm [VAR]																																																																																																																																											
9	19420117	0	Washer 1,4mm [VAR]																																																																																																																																											
10	19420118	0 <td Washer 1,5mm [VAR]			11	19420119	0	Washer 1,6mm [VAR]			12	19420120	0	Washer 1,7mm [VAR]			13	19420121	0	Washer 1,8mm [VAR]			14	19420122	0	Washer 1,9mm [VAR]			15	19420123	0	Washer 2,0mm [VAR]			16	19420124	0	Washer 2,1mm [VAR]			17	19420125	0	Washer 2,2mm [VAR]			18	19420126	0	Washer 2,3mm [VAR]			19	19420127	0	Washer 2,4mm [VAR]			20	19420128	0	Washer 2,5mm [VAR]			21	19420129	0	Washer 2,6mm [VAR]			22	19420130	0	Washer 2,7mm [VAR]			23	19420131	0	Washer 2,8mm [VAR]			24	19420132	0	Washer 2,9mm [VAR]			25	19420133	0	Washer 3,0mm [VAR]			26	19420134	0	Washer 3,1mm [VAR]			27	19420135	0	Washer 3,2mm [VAR]			28	19420136	0	Washer 3,3mm [VAR]			29	19420137	0	Washer 3,4mm [VAR]			30	19420138	0	Washer 3,5mm [VAR]			31	19420139	0	Washer 3,6mm [VAR]			32	19420140	0	Washer 3,7mm [VAR]			33	19420141	0	Washer 3,8mm [VAR]		
11	19420119	0	Washer 1,6mm [VAR]																																																																																																																																											
12	19420120	0	Washer 1,7mm [VAR]																																																																																																																																											
13	19420121	0	Washer 1,8mm [VAR]																																																																																																																																											
14	19420122	0	Washer 1,9mm [VAR]																																																																																																																																											
15	19420123	0	Washer 2,0mm [VAR]																																																																																																																																											
16	19420124	0	Washer 2,1mm [VAR]																																																																																																																																											
17	19420125	0	Washer 2,2mm [VAR]																																																																																																																																											
18	19420126	0	Washer 2,3mm [VAR]																																																																																																																																											
19	19420127	0	Washer 2,4mm [VAR]																																																																																																																																											
20	19420128	0	Washer 2,5mm [VAR]																																																																																																																																											
21	19420129	0	Washer 2,6mm [VAR]																																																																																																																																											
22	19420130	0	Washer 2,7mm [VAR]																																																																																																																																											
23	19420131	0	Washer 2,8mm [VAR]																																																																																																																																											
24	19420132	0	Washer 2,9mm [VAR]																																																																																																																																											
25	19420133	0	Washer 3,0mm [VAR]																																																																																																																																											
26	19420134	0	Washer 3,1mm [VAR]																																																																																																																																											
27	19420135	0	Washer 3,2mm [VAR]																																																																																																																																											
28	19420136	0	Washer 3,3mm [VAR]																																																																																																																																											
29	19420137	0	Washer 3,4mm [VAR]																																																																																																																																											
30	19420138	0	Washer 3,5mm [VAR]																																																																																																																																											
31	19420139	0	Washer 3,6mm [VAR]																																																																																																																																											
32	19420140	0	Washer 3,7mm [VAR]																																																																																																																																											
33	19420141	0	Washer 3,8mm [VAR]																																																																																																																																											

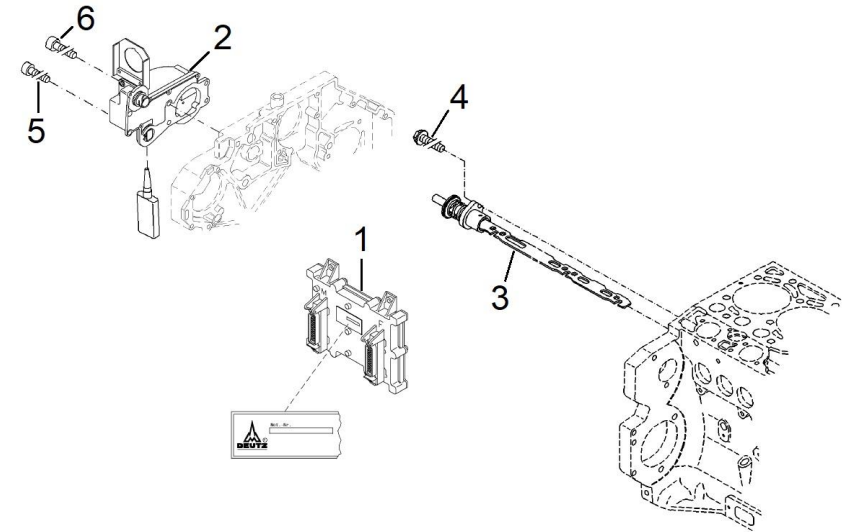


[VAR] Variable according to repair

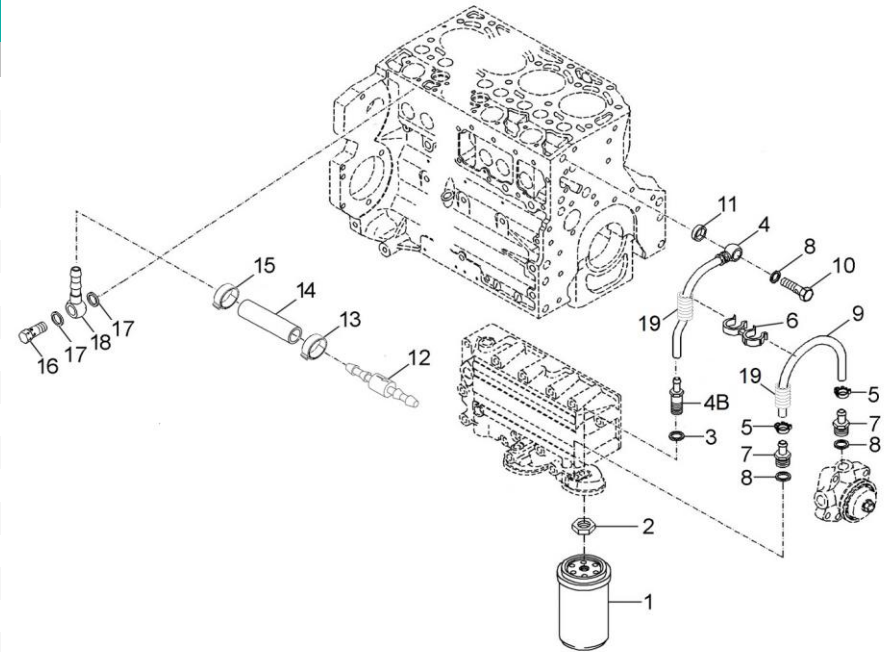
D_GS01_4_3		Fuel Injection Pump			
FIG.	REF.	QTY	DESCR.	FROM	UPTO
34	19420142	0	Washer 3,9mm [VAR]		
35	19420143	0	Washer 4,0mm [VAR]		
36	19420144	0	Washer 4,1mm [VAR]		
37	19420145	0	Washer 4,2mm [VAR]		
38	19420146	0	Washer 4,3mm [VAR]		
39	19420147	0	Washer 4,4mm [VAR]		



D_GS01_4_4		Regulation				
FIG.	REF.	QTY	DESCR.	FROM	UPTO	
1	19423019	1	ECU Group SDZ-109E EMR			
2	19427190	1	Actuator			
3	19523025	1	Control Rod			
4	19423026	1	HEXAGON Bolt			
5	19427154.1	3	Cheese head screw			
6	19427153.1	2	Cheese head screw			

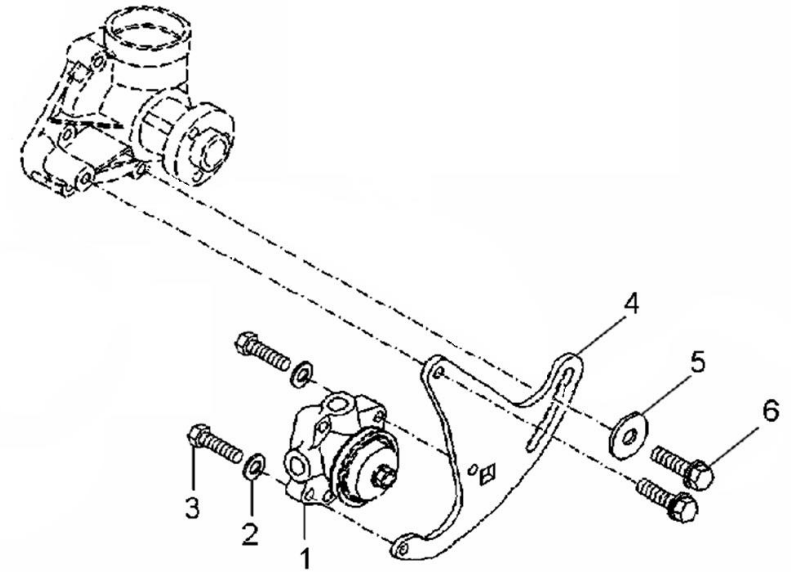


D_GS01_4_5		Fuel Filter				
FIG.	REF.	QTY	DESCR.	FROM	UPTO	
1	19424022.1	1	Fuel Filter Element Deutz			
2	19424102	1	Hexagon Nut			
3	19420060G	1	Sealing Ring			
4	19424060.1	1	Pipe,fuel			
4B	19424057.1	1	Hose Sleeve			
5	19424058.1	2	Clamp			
6	19424059.2	1	Hose Retainer [NP]			
7	19424049.1	2	Nipple			
8	19420059G	3	Sealing Ring			
9	19424061.3	1	Hose			
10	19424063.1	1	Hollow screw [NP]			
11	19424062	1	Sealing Ring			
12	19424001	1	Valve Assy			
13	51086018	1	ONE EAR Clamp With INTERIOR Ring 16-18,3			
14	19414003.1	1	Rubber Pipe			
15	51086017	1	ONE EAR Clamp With INTERIOR Ring 15-17,3			
16	19424053	1	Valve Assy			
17	19421116	2	Sealing Ring			
18	19620040	1	Hose Fitting			
19	19424067.1	1	Corrugated Tube			

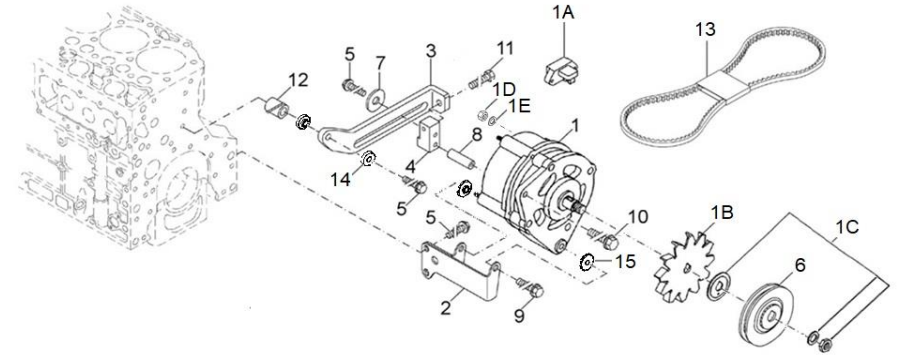


[NP] Not provided

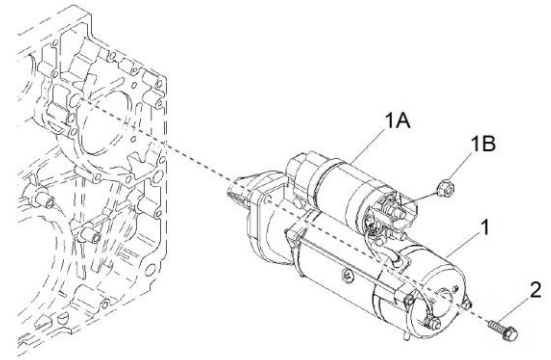
D_GS01_4_6		Feed Pump				
FIG.	REF.	QTY	DESCR.	FROM	UPTO	
1	19424040G.1	1	Fuel Pump			
2	19427043	2	Wave Spring Washer			
3	19424006	2	HEXAGON Bolt			
4	19424041.1	1	Clamping Strap			
5	19424047.1	1	Plain Washer			
6	19424046	2	HEXAGON Bolt			



D_GS01_5_1		24V/35A Alt. Kit				
FIG.	REF.	QTY	DESCR.	FROM	UPTO	
1	19427010GP.2	1	Alternator 24V/35A With Pulley			
1A	19427016G.2	1	Volatge Regulator			
1B	19427015.2	1	Fan			
1C	19427018.1	1	Fastenings			
1D	51123006	1	Nut DIN 985 M6 5.6			
1E	53033006	1	Washer GROWER DIN 127-6			
2	19427002G.1	1	Bracket, Alternator			
3	19427007G.1MEC	1	Earth Isol. Alternator Brace			
4	19427008G.1	1	Threaded Piece			
5	19424006	4	HEXAGON Bolt			
6	19427052G.2	1	Pulley			
7	19424047.1	1	Plain Washer			
8	19427026	1	Bush			
9	19422053	1	HEXAGON Bolt			
10	19428006	1	Screw			
11	19427013.1	1	Hexagon bolt			
12	19427027	1	Bush			
13	17017025	1	Belt Type SPZX 1012			
14	19417011	2	Bracket Bakelite Bushing			
15	17117012	2	Tensor Bakelite Bushing			

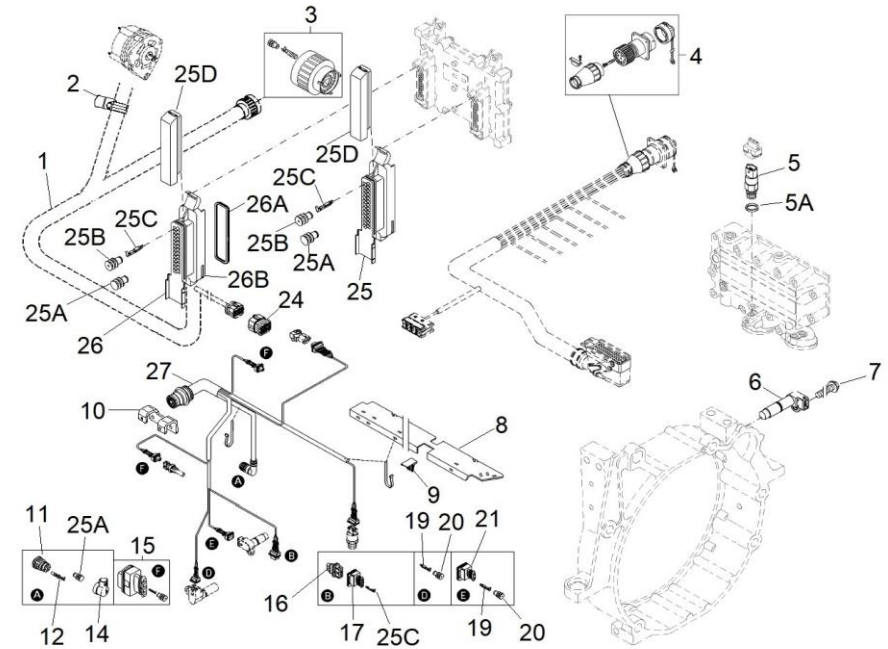


D_GS01_5_3 Starter						
FIG.	REF.	QTY	DESCR.	FROM	UPTO	
1	19427045	1	Starter			
1A	19427106G	1	SWITCH Assy			
1B	19620046	1	Hexagon Nut			
2	19427020.1	3	Bolt			





D_GS01_5_5 24V Electrical Wiring						
FIG.	REF.	QTY	DESCR.	FROM	UPTO	
1	60996204	1	Wiring Electrical Genset SD280			
2	13817011	1	Bracket			
3	19427195	1	Plug-in Connector			
4	19427152	1	Plug-in Connector			
5	19427193	1	Pressure Sensor			
5A	19421016	1	Sealling Ring			
6	19427188	1	Impulsetransmitter			
7	19427038	1	HEXAGON Bolt			
8	19620047	1	Cover Plate			
9	19427186	2	Cable Clamp			
10	19417018	1	Electrical Wiring Bracket			
11	19427181	1	Receptacle Housing			
12	19427182	5	Jack			
14	19427183	1	Snood			
15	19427179	2	Plug-in Connector			
16	19427180	1	Plug Housing			
17	19427178	1	Housing			
19	19427175	4	Jack			
20	19427176	7	Gasket			
21	19427184	1	Housing			
24	19427194	1	Plug-in Connector			
25	19427151	1	Plug-in Connector			
25A	19427169	39	Plug			
25B	19427168	42	Gasket			
25C	19427170	45	Jack			
25D	19427167	2	Housing Cover			
26	19427197	1	Plug-in Connector			
26A	19427199	1	Rubber Gasket			
26B	19427198	1	Bearing Housing			
27	19620048	1	Wiring Harness			

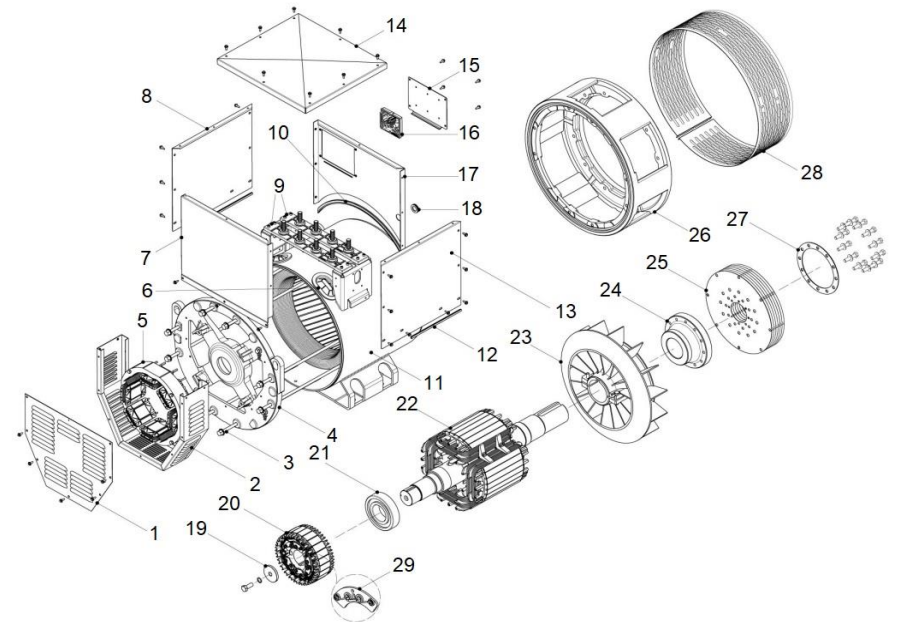


D_SDZ190EGTST_06_1 Alternadors 165 GT/GTC Y 180					
FIG.	REF.	QTY	DESCR.	FROM	UPTO
1A	605113180ZOR	1	AI.MECC.ALTEIII 180KVA 1500 400/230 (R)		



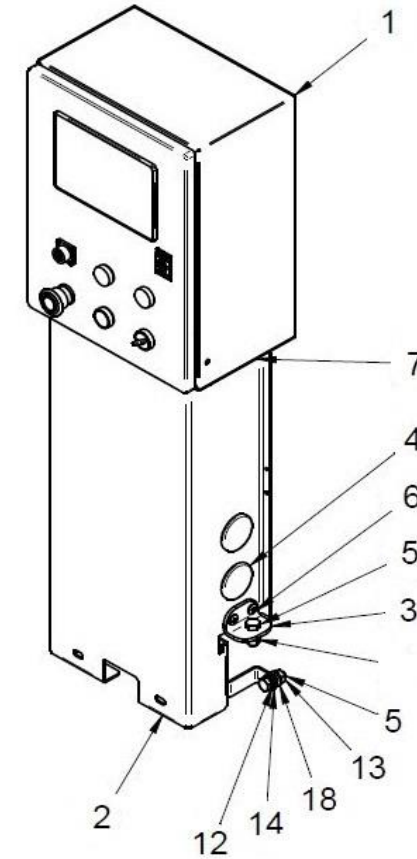


D_605113180ZIO Alt.MECC.ALTEIII 180KVA 1500RPM 400/230V					
FIG.	REF.	QTY	DESCR.	FROM	UPTO
1	19620054	1	Rear Seal		
2	19620071	1	Rear Case		
3	19620066	1	Cover Stay Bolt S		
4	19620058	1	Non drive end bracket		
5	605113085Z5.5	1	Exciter Stator H-55 8P - S/L		
6	60900514	1	Shutter 44		
7	19620074	1	Termin. Brd. Rear Panel		
9A	19620056	1	Terminal board 4 pin M16 (W2)		
9B	19620057	1	Terminal board 4 pin M16 (U1)		
10	19620079	1	Rubber Profile UL EPDM+SP 0,55m		
11	19620059	1	Frame and stator 1S_A		
12	19620078	1	Rubber Profile EPDM 0,54m		
13	19620072	1	Termin. Brd. Side Panel		
14	19620055	1	Terminal Box Lid		
15	19620075	1	Regulator Carrying Panel + Loophole		
16	60500023.1	1	Electronic Regulator DSR		
17	19620073	1	Termin. Brd. Front Panel + Loophole		
18	19620070	1	Cable Grommet DG21		
19	19620077	1	Securing Ring Exciter Armature		
20	19620061	1	Exciter Armature H-55 f 65 mm		
21	19620065	1	Rear Bearing 6314-2RS C3		
22	19620062	1	Rotor Assy 1 SN / 1S_A		
23	19620063	1	Fan		
24	19620068	1	Coupling Hub Flies 11,5		
25	605113085Z5.13	1	Disc Plates SAE 11,5		
26	19620060	1	Drive end bracket MD 35/3		
27	19620076	1	Disc Locking Ring		
28	19620067	1	Protection Screen MD35		
29	60511315.1.11	1	Diode Bridge T30		
NS	19620064	1	Front Bearing 6318-2RS C3 [NS]		



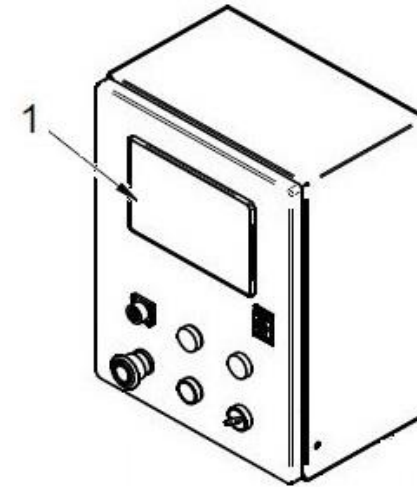
[NS] Not shown

60996216 Control Panel + Ecu Box Support Kit						
FIG.	REF.	QTY	DESCR.	FROM	UPTO	
2	60596042.081	1	ECU Box Bracket			
3	60596042.085	2	ECU Box Bracket			
4	60900514	4	Shutter 44			
5	52102309	4	Bolt DIN 933 M10-30 8.8			
6	51117257	4	Bolt DIN 7380 M8-20 5.6			
7	52102108	4	Bolt DIN 933 M5-20 8.8 CINCADO			
12	53033010	4	Washer GROWER DIN 127-10			
13	52120010	4	Nut DIN 934 M10 8.8			
14	60596042.086	2	Ecu Box Bracket Reinforce			
18	51030011	8	Washer DIN 126-10			
NS	51030005	4	Washer DIN 125-5 [NS]			
NS	51030006	4	Washer DIN 125-6 [NS]			
NS	51031008	4	Washer DIN 9021 8 [NS]			
NS	52102156	2	Bolt DIN 933 M6-16 8.8 [NS]			
NS	52102308	2	Bolt DIN 933 M10-25 8.8 [NS]			
NS	52120005	4	Nut DIN 934 M5 8.8 [NS]			
NS	52120006	2	Nut DIN 934 M6 8.8 [NS]			
NS	52120008	4	Nut DIN 934 M8 8.8 [NS]			
NS	53033005	4	Washer GROWER DIN 127-5 [NS]			
NS	53033008	4	Washer GROWER DIN 127-8 [NS]			
NS	ETIQUETA.1	1	Labels Solé Diesel 7x2,7 cm [NS]			



[NS] Not shown

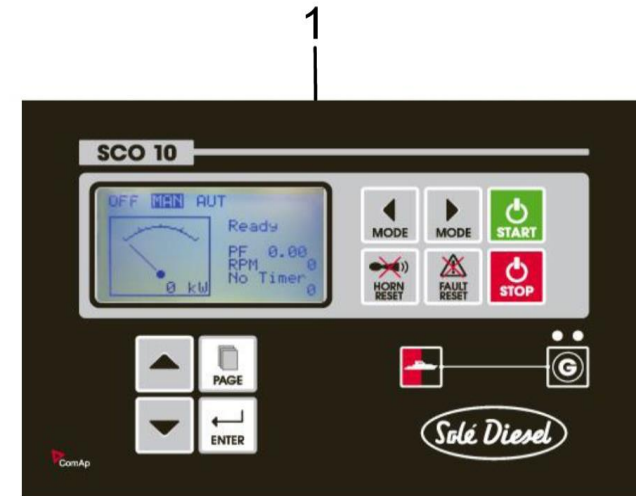
60996217 Box ECU SDZ SCO-10 24V						
FIG.	REF.	QTY	DESCR.	FROM	UPTO	
1	60972100S.1	1	SOLE COMAP SCO 10 Panel			
NS	19427151	1	Plug-in Connector [NS]			
NS	19427152	1	Plug-in Connector [NS]			
NS	19427197	1	Plug-in Connector [NS]			
NS	60900092	2	MICRO Relay 24V 24-10 [NS]			
NS	60900093	2	ZA1 Connector MICRO Relay [NS]			



[NS] Not shown

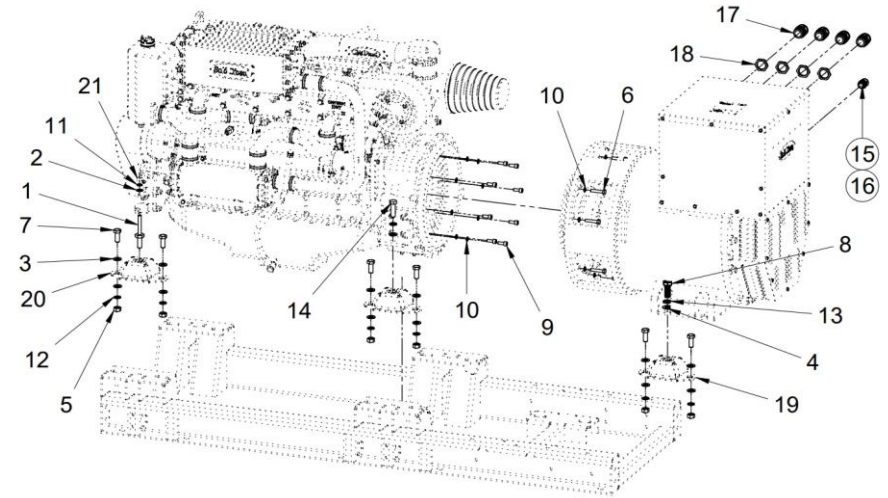


D_60972100SC		COMAP SCO 10 Panel			
FIG.	REF.	QTY	DESCR.	FROM	UPTO
1	60972100S.1	1	SOLE COMAP SCO 10 Panel		





60596105		Alt. MECC ALTE Tri. Installation Kit (S)			
FIG.	REF.	QTY	DESCR.	FROM	UPTO
1	19610061	2	Screw M20-M12		
2	51030012	14	Washer DIN 125-12		
3	51030016	26	Washer DIN 125-16		
4	51030020	2	Washer DIN 125-20		
5	51123016	12	Nut DIN 985 M16 5.6		
6	52101313	12	Bolt DIN 931 M10-50 8.8		
7	52102461	12	Bolt DIN 933 M16-40 8.8		
8	52102563	2	Bolt DIN 933 M20-50 8.8		
9	52103308	8	Bolt DIN 912 M10-25 8.8		
10	53033010	10	Washer GROWER DIN 127-10		
11	53033012	14	Washer Grower DIN 127-12		
12	53033016C	14	Washer		
13	53033020	2	Washer GROWER DIN 127-20		
14	59101464	2	Bolt DIN 931 M16-55 12.9 Zinced		
17	60900313	5	Cable Gland Captor-2000 PG29		
18	60900314	5	Hexagonal Locknut Captor-2000 PG29		
19	61694002	4	Engine Mount Type D 55 SHA M20 H 110		
20	61694006	2	Anti Vibration Mount Type D 55Sh Sea G		
21	52120012	2	Nut DIN 934 M12 8.8		
NS	51058054	6	Aluminium Rivet 4.0 X 10 [NS]		
NS	58088282	5	Pastic Cable Zip Tie [NS]		
NS	6097A165	2	Amperometric Transformer Bracket [NS]		
NS	60996161	3	Amperometric Transformer 250/5A [NS]		



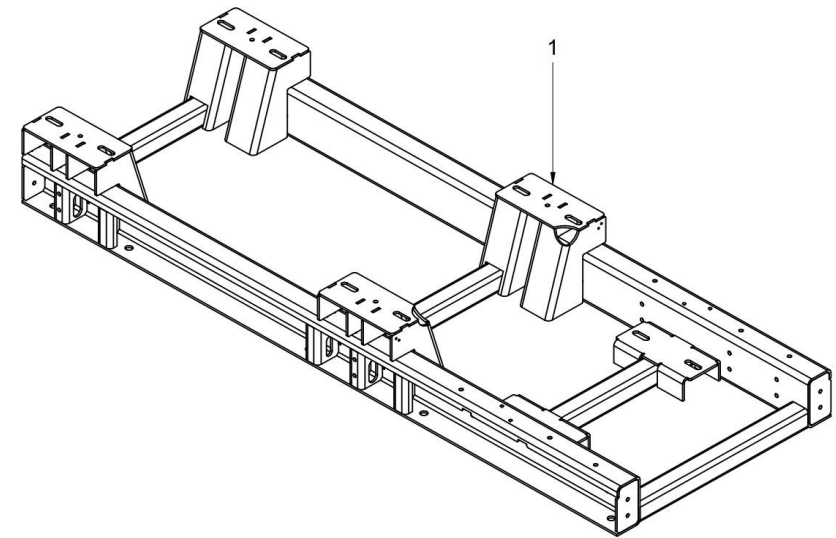
[NS] Not shown



60596061		3 Phase MECC ALTE Alt. Kit (C)			
FIG.	REF.	QTY	DESCR.	FROM	UPTO
1	19610061	2	Screw M20-M12		
2	51030012	14	Washer DIN 125-12		
3	51030016	26	Washer DIN 125-16		
4	51030020	2	Washer DIN 125-20		
5	51123016	12	Nut DIN 985 M16 5.6		
6	52101313	12	Bolt DIN 931 M10-50 8.8		
7	52102461	12	Bolt DIN 933 M16-40 8.8		
8	52102563	2	Bolt DIN 933 M20-50 8.8		
9	52103308	8	Bolt DIN 912 M10-25 8.8		
10	53033010	10	Washer GROWER DIN 127-10		
11	53033012	14	Washer Grower DIN 127-12		
12	53033016C	14	Washer		
13	53033020	2	Washer GROWER DIN 127-20		
14	59101464	2	Bolt DIN 931 M16-55 12.9 Zinced		
17	60900313	5	Cable Gland Captor-2000 PG29		
18	60900314	5	Hexagonal Locknut Captor-2000 PG29		
19	61694002	4	Engine Mount Type D 55 SHA M20 H 110		
20	61694006	2	Anti Vibration Mount Type D 55Sh Sea G		
21	52120012	2	Nut DIN 934 M12 8.8		
NS	51058054	6	Aluminium Rivet 4.0 X 10 [NS]		
NS	58088282	5	Pastic Cable Zip Tie [NS]		
NS	6097A165	2	Amperometric Transformer Bracket [NS]		
NS	60996161	3	Amperometric Transformer 250/5A [NS]		

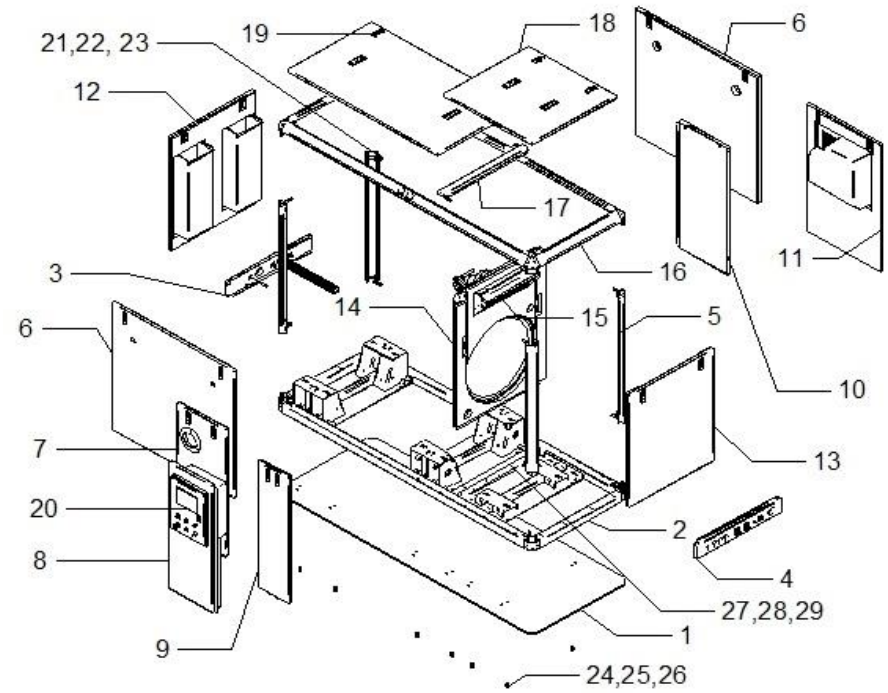
[NS] Not shown

D_60596035		Genset Chassis				
FIG.	REF.	QTY	DESCR.	FROM	UPTO	
1	60596035	1	Genset Bed Frame			



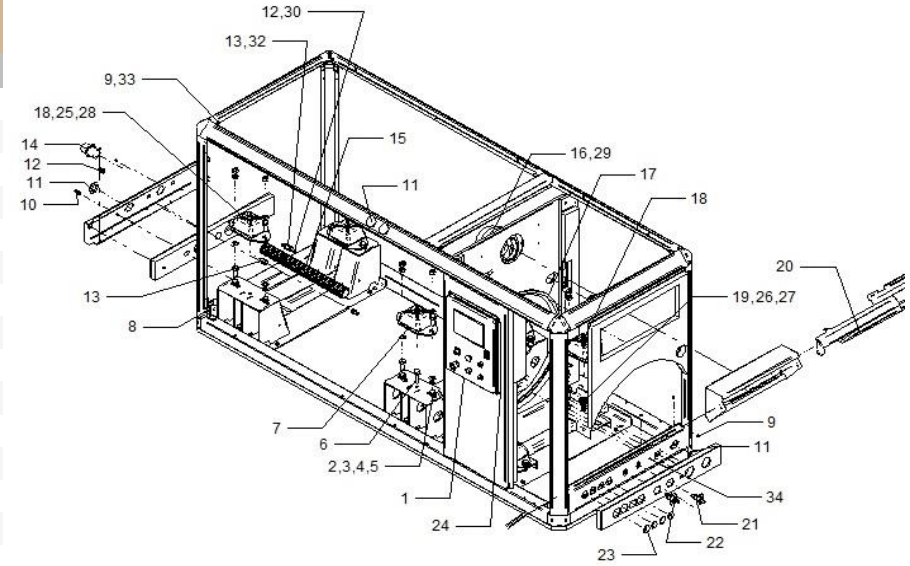


D_A1GS_4_1		Cabin			
FIG.	REF.	QTY	DESCR.	FROM	UPTO
1	60596042.01	1	Sound Enclosure Genset Baseboard		
2	60596042.02	1	Canopy Genset Bed		
3	60596042.03	1	Fuel and water Panel		
4	60596042.04	1	Electric Supply Panel		
5	60596042.05	4	Vertical Bar .		
6	60596042.06	2	Side panel		
7	60596042.07	1	Right Side Panel		
8	60596042.08	1	Side Panel		
9	60596042.09	1	Right Side Panel		
10	60596042.10	1	Left Side Panel		
11	60596042.11	1	Air Inlet Side Panel		
12	60596042.12	1	Front Panel		
13	60596042.13	1	Side Panel		
14	60596042.14	1	Internal Split Panel (Inferior)		
15	60596042.15	1	Internal Split Panel (Superior Part)		
16	60596042.16	1	Upper FRAME		
17	60596042.17	1	Reinforcement Superior Bar		
18	60596042.18	1	Upper Panel (Alt. Cover)		
19	60596042.19	1	Upper Panel (Engine Cover)		
20	60996216	1	Control Panel + Ecu Box Support Kit		
21	51058054	20	Aluminium Rivet 4.0 X 10	01/01/2020	
22	60573041.43	6	L Fastening Bracket		
23	53105104	12	Bolt DIN 7991 M5-10 12.9		
24	52103258	12	Bolt DIN 912 M8-25 8.8	01/01/2020	
25	53033008	12	Washer GROWER DIN 127-8		
26	52120008	12	Nut DIN 934 M8 8.8		
27	52102310	4	Bolt DIN 933 M10-35 8.8	01/01/2020	
28	53033010	4	Washer GROWER DIN 127-10		
29	52120010	4	Nut DIN 934 M10 8.8		





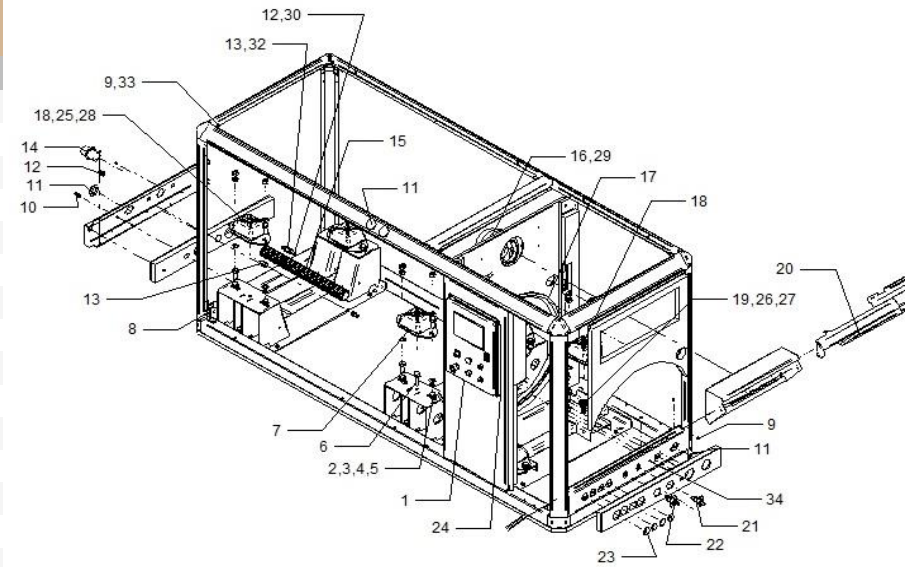
D_A1GS_4_2		Kit Cabin			
FIG.	REF.	QTY	DESCR.	FROM	UPTO
1	60996217	1	Box ECU SDZ SCO-10 24V		
2	52102461	16	Bolt DIN 933 M16-40 8.8		
3	51030016	30	Washer DIN 125-16		
4	53033016C	30	Washer		
5	51123016	12	Nut DIN 985 M16 5.6		
6	59101464	2	Bolt DIN 931 M16-55 12.9 Zinced		
7	61694006	2	Anti Vibration Mount Type D 55Sh Sea G		
8	53105104	8	Bolt DIN 7991 M5-10 12.9		
10	13814072	2	Straight Hose Connector 1/8" NPTF		
11	60900514	8	Shutter 44		
12	60594041.39	4	Gasoil Wall Bushing D12 MALE		
13	60573041.39	1	ROD Coupling 1/8 BSP		
15	M87504252	1,5	Water Intake Hose (HQ) D. 42-52		
16	60596042.158	1	Silicone Hose D100/110 L160mm		
17	60596042.144	1,5	Rubber		
18	61694002	4	Engine Mount Type D 55 SHA M20 H 110		
19	52102563	2	Bolt DIN 933 M20-50 8.8		
20	19610062	1	Flat Air Filter		
21	60573047	1	Battery Plug IN		
22	60573048	1	Battery Plug IN		
23	60900508	5	Shutter 31		
24	60596042.143	1	Black Rubber		
25	19610061	2	Screw M20-M12		
26	51030020	2	Washer DIN 125-20		
27	53033020	2	Washer GROWER DIN 127-20		
28	52101373	2	Bolt DIN 931 M12-100 8.8		
29	54083112	2	GP Clamp 104-112 W4 STC		
30	54081012	4	Clamp DIN 3017 12-22/9 W4		
32	57000361	1	Washer 10-14-1,5		
33	60573041.43	4	L Fastening Bracket		
34	60972074	1	0,44 M. Back Panel To Alt. Wiring Ground		
NS	51030008	20	Washer DIN 125-8 [NS]		
NS	51030012	26	Washer DIN 125-12 [NS]		
NS	51031006	15	Washer DIN 9021 6 [NS]		
NS	52102157	15	Bolt DIN 933 M6-20 8.8 [NS]		



[NP] Not provided
 [NS] Not shown

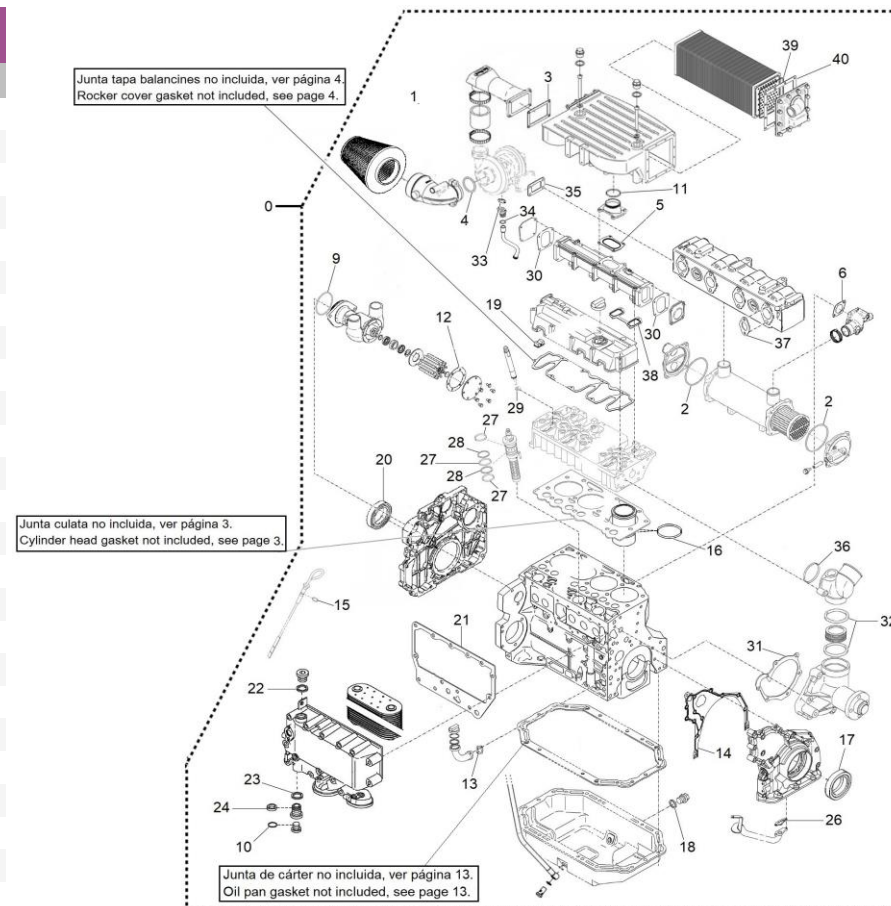


D_A1GS_4_2		Kit Cabin			
FIG.	REF.	QTY	DESCR.	FROM	UPTO
NS	52102159	4	Bolt DIN 933 M6-30 8.8 [NS]		
NS	52102358	8	Bolt DIN 933 M12-25 8.8 [NS]		
NS	52102459	2	Bolt DIN 933 M16-30 8.8 [NS]		
NS	52103258	10	Bolt DIN 912 M8-25 8.8 [NS]		
NS	52120003	4	Nut DIN 934 M3 8.8 [NS]		
NS	52120004	2	Nut DIN 934 M4 8.8 [NS]		
NS	52120005	4	Nut DIN 934 M5 8.8 [NS]		
NS	52120008	10	Nut DIN 934 M8 8.8 [NS]		
NS	52120012	8	Nut DIN 934 M12 8.8 [NS]		
NS	53033006	2	Washer GROWER DIN 127-6 [NS]		
NS	53033008	10	Washer GROWER DIN 127-8 [NS]		
NS	53033012	8	Washer Grower DIN 127-12 [NS]		
NS	54030006	2	Washer DIN 125-6 INOX. [NS]		
NS	54030008	3	Washer DIN 125-8 INOX. [NS]		
NS	54082090	4	Clamp DIN 3017 90-110/12 W4 [NS]		
NS	54102257	3	Bolt DIN 933 M8-20 INOX. [NS]		
NS	54103258	1	Bolt DIN 912 M8-25 INOX. [NS]		
NS	54118004	4	Bolt DIN 7985 M3-10 INOX [NS]		
NS	54118054	2	Bolt DIN 7985 M4-10 INOX [NS]		
NS	54118106	4	Bolt DIN 7985 M5-16 INOX [NS]		
NS	54118156	2	Bolt DIN 7985 M6-16 INOX [NS]		
NS	54120006	2	Nut DIN 934 M6 INOX [NS]		
NS	54120008	3	Nut DIN 934 M8 [NS]		
NS	60596042.250	1	Wrench Set [NS] [NP]		
NS	60900047	1	White Strip VDe 104 4 [NS]		
NS	60972090	2	TER. PROTECTIVE 20 RED [NS]		
NS	60972091	3	TER. PROTECTIVE 20 BLACK [NS]		
NS	60974048	1	0,73 M. BLACK Battery NEGATIVE Wiring [NS]		
NS	60974049	1	RED Battery POSITIVE Wiring [NS]		
NS	M80501006	1,3	Hose D.10-6 [NS] [NP]		
NS	M81511019	1,5	Fuel Hose D. 10-19 [NS]		
NS	M81511222	2,17	Fuel Hose D. 12-21 [NS]		





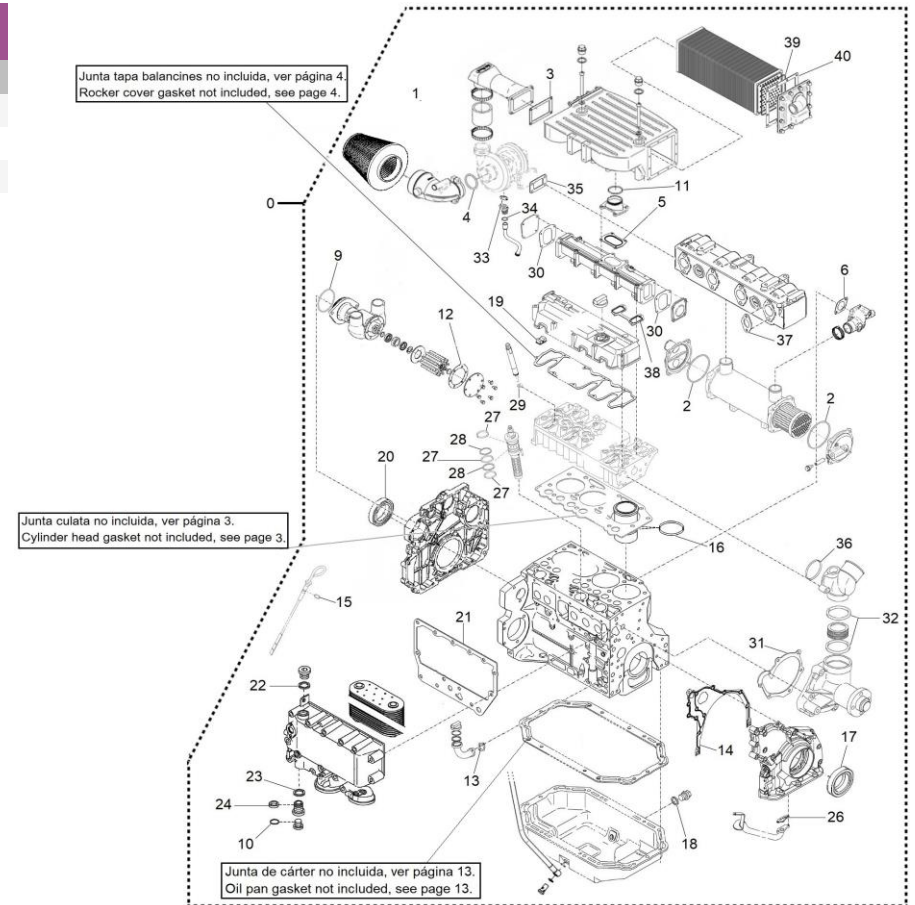
D_GS01_6_1		Gasket Kit			
FIG.	REF.	QTY	DESCR.	FROM	UPTO
0	19620102	1	Gasket Kit		
1	19521010	1	Rocker Cover Gasket		
2	16711007	2	O-Ring D. 116X4		
4	19610021	1	O-Ring D. 90X4 VITON		
5	19410037	1	Gasket		
6	19411010	1	Gasket		
8	19520033	1	Gasket		
9	19420221	1	O-Ring D. 82X4 VITON		
10	19422113	1	O-Ring		
11	19421033	1	O-Ring D. 70X5 VITON		
12	34711003	1	Gasket Cover		
13	19421076	1	Gasket		
14	19420026	1	Gasket		
15	19620029.2	1	O-Ring		
16	19620015	1	Cover [NP]		
17	19420008	1	ROT.Shaft LIP Seal		
18	19420032.1	2	Gasket		
19	19521011	1	Cap		
20	19420039.1	1	ROT.Shaft LIP Seal		
21	19424084	1	Gasket		
22	19610020	1	Bracket		
23	19422118	1	Sealling Ring		
24	19422115	1	Sealling Ring		
26	19424056.1	1	Gasket		
27	19425002	18	O-Ring D. 40X3,5		
28	19425003	12	Shim		
29	19426012	6	Sealling Ring		
30	19421047	2	Gasket		
31	19424091	2	Retention Valve		
32	19421044	2	O-Ring		
33	19620026	4	Gasket [NP]		
34	19428063	2	Sealling Ring		
35	19421183.4	1	Gasket		
36	19421041	1	O-Ring		
37	19421181.2	6	Gasket		



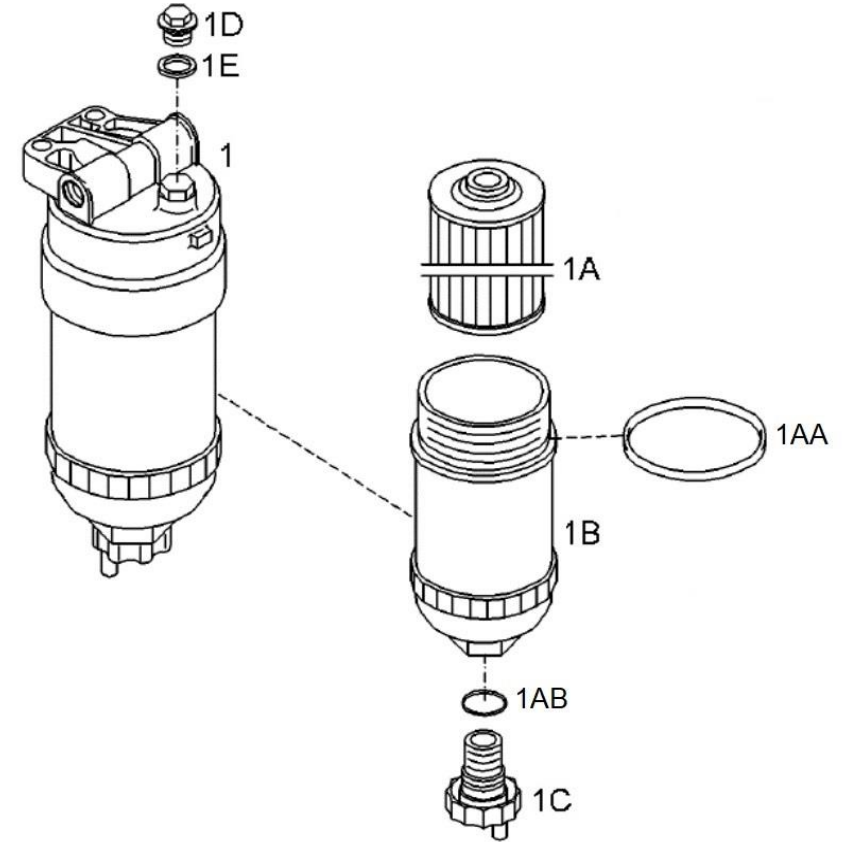
[NP] Not provided



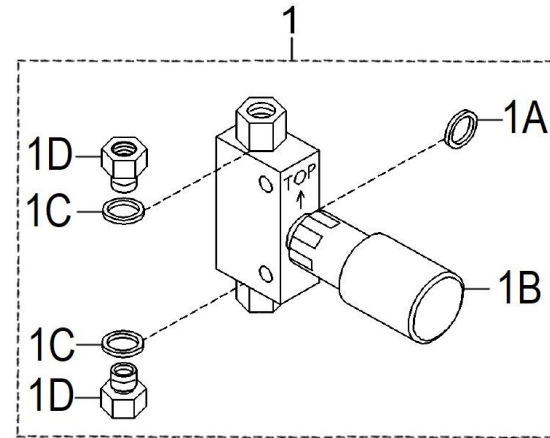
D_GS01_6_1		Gasket Kit			
FIG.	REF.	QTY	DESCR.	FROM	UPTO
38	19421063	3	Gasket		
39	19410016.12	2	O-Ring INTERCooler		
40	19410016.7B	2	Gasket		



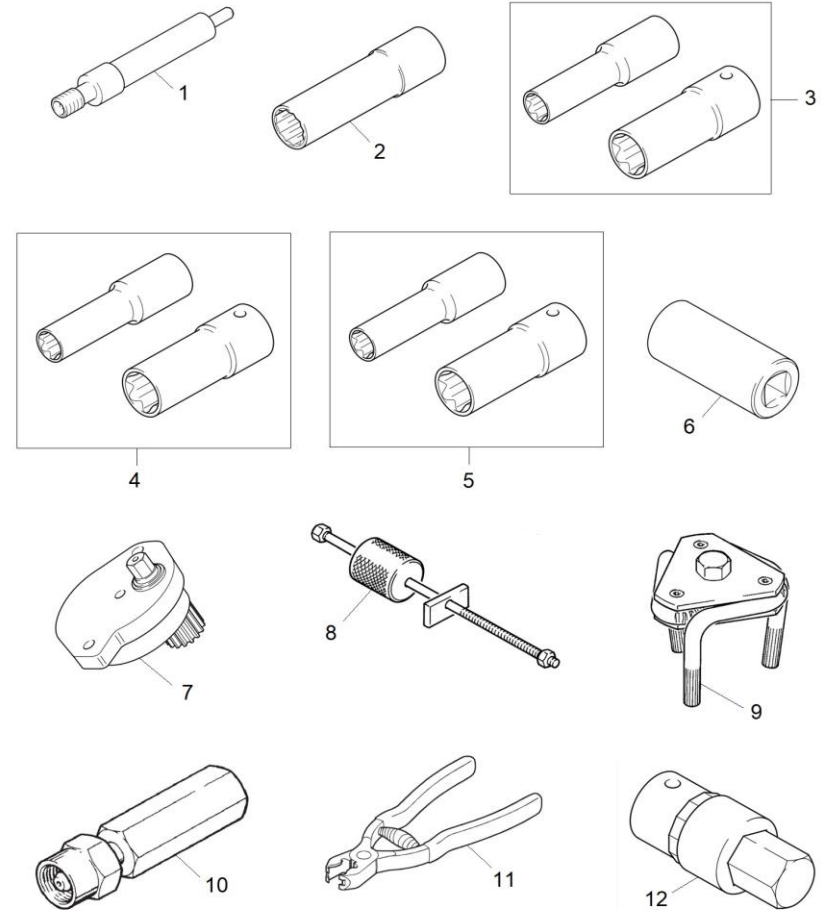
D_19624022 Fuel Filter						
FIG.	REF.	QTY	DESCR.	FROM	UPTO	
1	19424020	1	SPin-ON Fuel FILT.			
1A	19620049.1	1	Filter Insert			
1AA	19424020.2	1	O-Ring D. 95X4			
1AB	19424020.4	1	O-Ring D. 12X2,5			
1B	19424020.8	1	Filter Housing			
1C	19424020.5	1	DRAIN Valve			
1D	19420071	1	Screw Plug			
1E	19421016	1	SealING Ring			



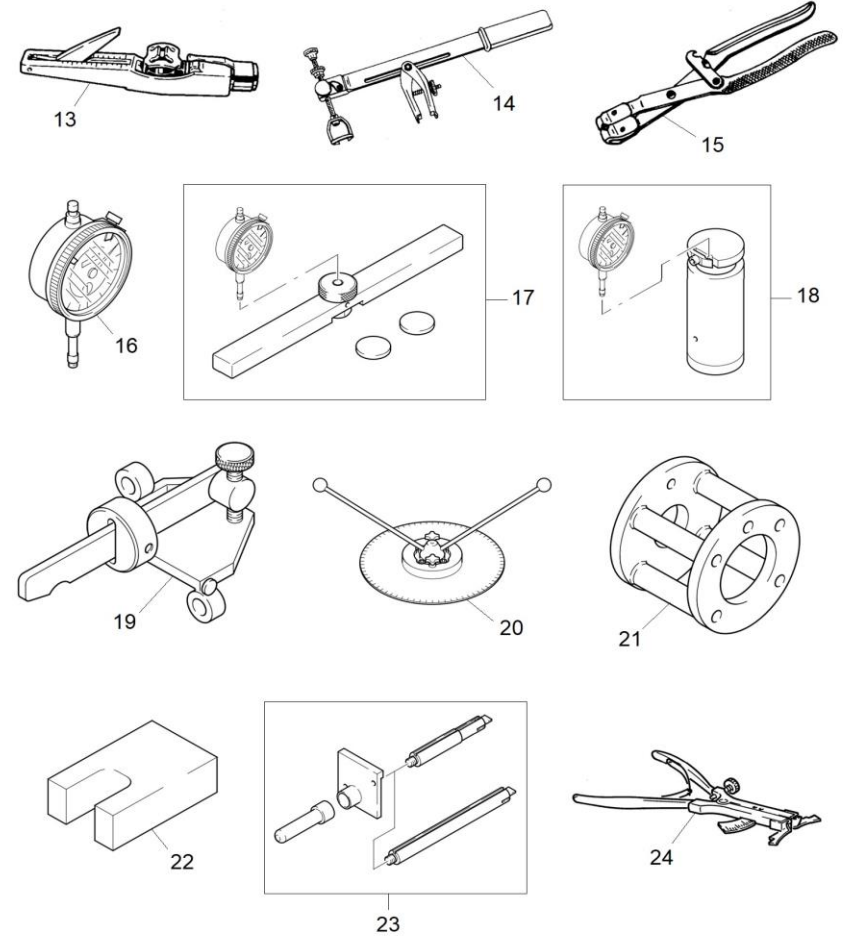
D_19424050		Hand Pump				
FIG.	REF.	QTY	DESCR.	FROM	UPTO	
1	19424075	1	Kit Fuel Pump			
1A	19424050.1	1	SeallNG Ring		14/11/2019	
1B	19424050.2	1	Hand Pump		14/11/2019	
1C	19424078	2	Gasket		14/11/2019	
1C	56000077	2	Washer 18-23-1,5	14/11/2019		
1D	19424050.3	2	Adapter NIPPLE		14/11/2019	
1D	19424079	2	Manual Pump gasoil Fitting	14/11/2019		



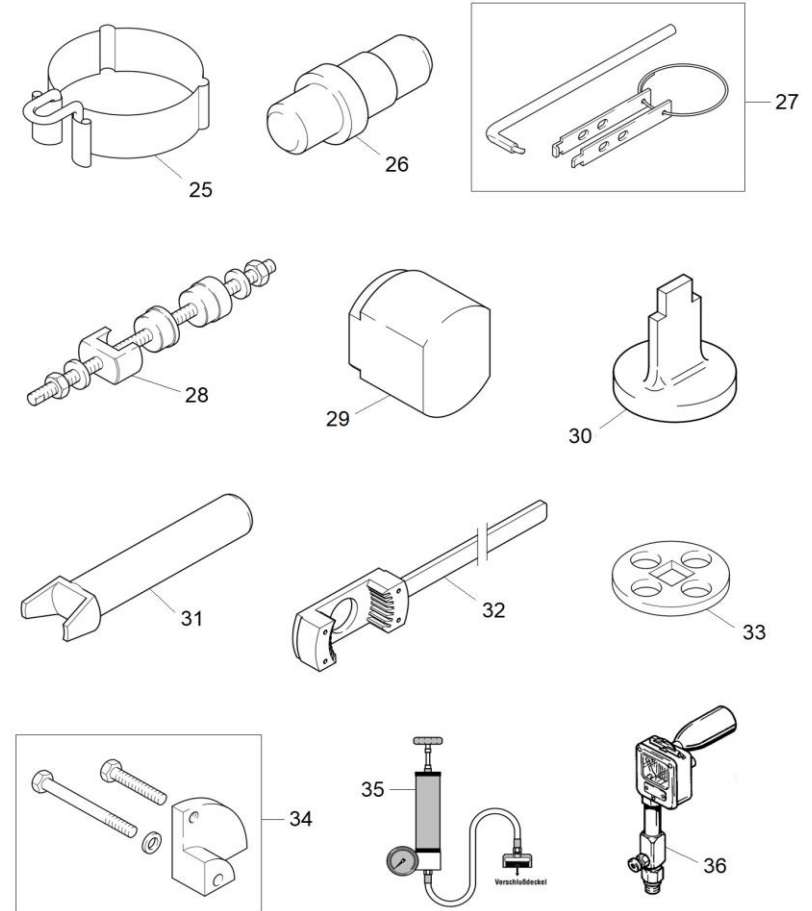
D_UTILSDZPRO_1		Special Tools 1/4			
FIG.	REF.	QTY	DESCR.	FROM	UPTO
1	UBP00006	1	Connector For Compression Tester		
2	UMSDZ001	1	Socket A/Flats 15 Long For Injector		
3	UMSDZ002	1	Torx Sockets Long Version		
4	UMSDZ003	1	Torx Sockets Long Version		
5	UMSDZ004	1	Torx Sockets Long Version		
6	UMSDZ005	1	Serrated Wrench Turning Injection Pump		
7	UMSDZ008	1	Assembly Tool For Front Crankshaft Seal		
8	UMSDZ010	1	Extractor		
9	UMSDZ011	1	Special Device Off Filter Cartridge		
10	UMSDZ012	1	Extractor Injector		
11	UMSDZ016	1	Cobra Clamp Pliers		
12	UMSDZ017	1	Screw Driver Socket		



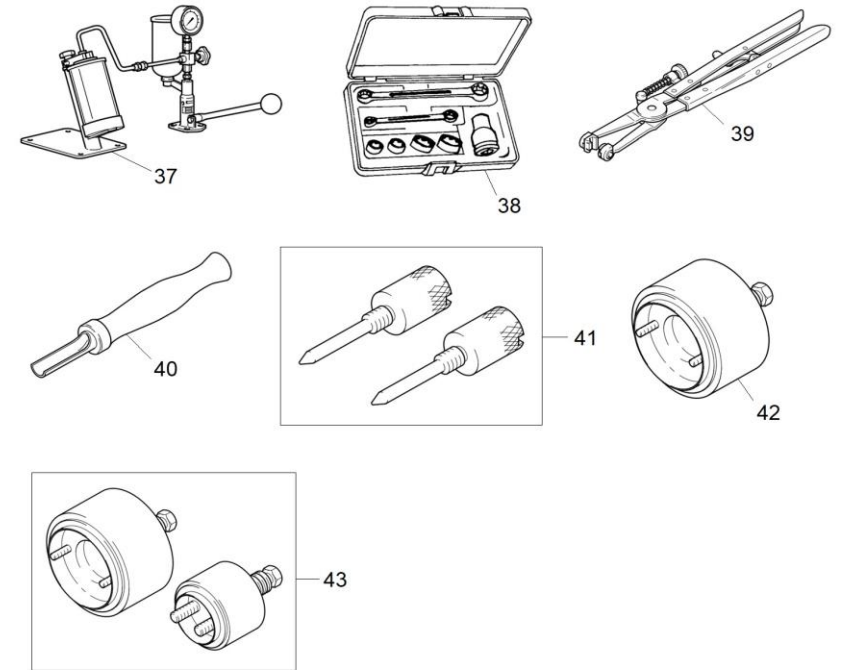
D_UTILSDZPRO_2		Special Tools 2/4				
FIG.	REF.	QTY	DESCR.	FROM	UPTO	
13	UMSDZ018	1	V-Belt Tension Gauge			
14	UMSDZ019	1	Valve Spring Assembly Lever			
15	UMSDZ020	1	Spring Clamp Pliers			
16	UMSDZ024	1	Dial Gauge M2T With Locking Ring			
17	UMSDZ025	1	Measuring Bar With Spacers For Gauging			
18	UMSDZ026	1	Measuring Device Base Circle Injection			
19	UMSDZ027	1	Press-on Device For Control Rod			
20	UMSDZ028	1	GRADUATED DISC 360° For TDC and COD			
21	UMSDZ029	1	Adapter For Graduated Disc			
22	UMSDZ030	1	Dolly For Injector a/flats 11			
23	UMSDZ031	1	Assembly Tool For Control Rod Sleeves			
24	UMSDZ034	1	Piston Ring Pliers			



D_UTILSDZPRO_3		Special Tools 3/4				
FIG.	REF.	QTY	DESCR.	FROM	UPTO	
25	UMSDZ035	1	Piston Ring Compressor			
26	UMSDZ036	1	Assembly Tool For Small End Bush			
27	UMSDZ037	1	Puller For Front And Rear Crakshaft Seal			
28	UMSDZ040	1	Assembly Tool For Camshaft Sleeves			
29	UMSDZ041	1	Assembly Tool For Cylinder Liner			
30	UMSDZ042	1	Assembly Tool For Pressure Control Valve			
31	UMSDZ043	1	Assembly Tool For Thermostat			
32	UMSDZ044	1	Dolly For Air Compressor Gear			
33	UMSDZ069	1	Turning Device			
34	UMSDZ070	1	Measuring Device For Control Rod			
35	UMSDZ058	1	Pressure Pump for Tightness Testing Coolant System			
36	UMSDZ059	1	Compression Tester			



D_UTILSDZPRO_4		Special Tools 4/4				
FIG.	REF.	QTY	DESCR.	FROM	UPTO	
37	UMSDZ060	1	Injector Tester			
38	UMSDZ061	1	Torx Torx-Werkzeugsatz Tool Kit			
39	UMSDZ062	1	Spring Clamp Pliers			
40	UMSDZ063	1	Auxiliary Tool Glow Plug Cable Coupler			
41	UMSDZ064	1	Adjusting Bolts for Mass Compensating Shafts "MAG"			
42	UMSDZ066	1	Assembly Tool For Rear Crankshaft Seal [NP]			
43	UMSDZ067	1	Turning Gear [NP]			
NS	61800001	1	Injector Tester [NS]			
NS	UBP00002	1	[NS] [NP]			
NS	UMSDZ021	1	Spring Clamp Pliers [NS]			
NS	UV19410016B	1	Turbo pressure test tool SDZ-280 [NS]			
NS	UV19424040.1	1	Fuel pressure test tool SDZ-280 [NS] [NP]			



[NP] Not provided
 [NS] Not shown