



Part list

Genset 35 GT/GTC & 40 GTA/GTAC TAC



PARTS LIST CATALOGUE

NORMS TO PLACE AN ORDER

For fast and more efficient service, please specify the following information on spare parts orders that must be preferably done by e-mail as specified below:

- 1- Engine model: As shown in identification plate
- 2- Engine serial number: As shown in identification plate and stamped on crankcase
- 3- Item description + part number + quantity required

Spare parts requests must be addressed to :

orders@soleadvance.com

Tel.: +34 93 775 44 05

The components shown in the catalog have:

- Figure: Number by which they are represented in scheme
- Description: Trade name of the component
- Quantity: Total number of parts used in the assembly of the part represented (may differ from the total minimum quantities)

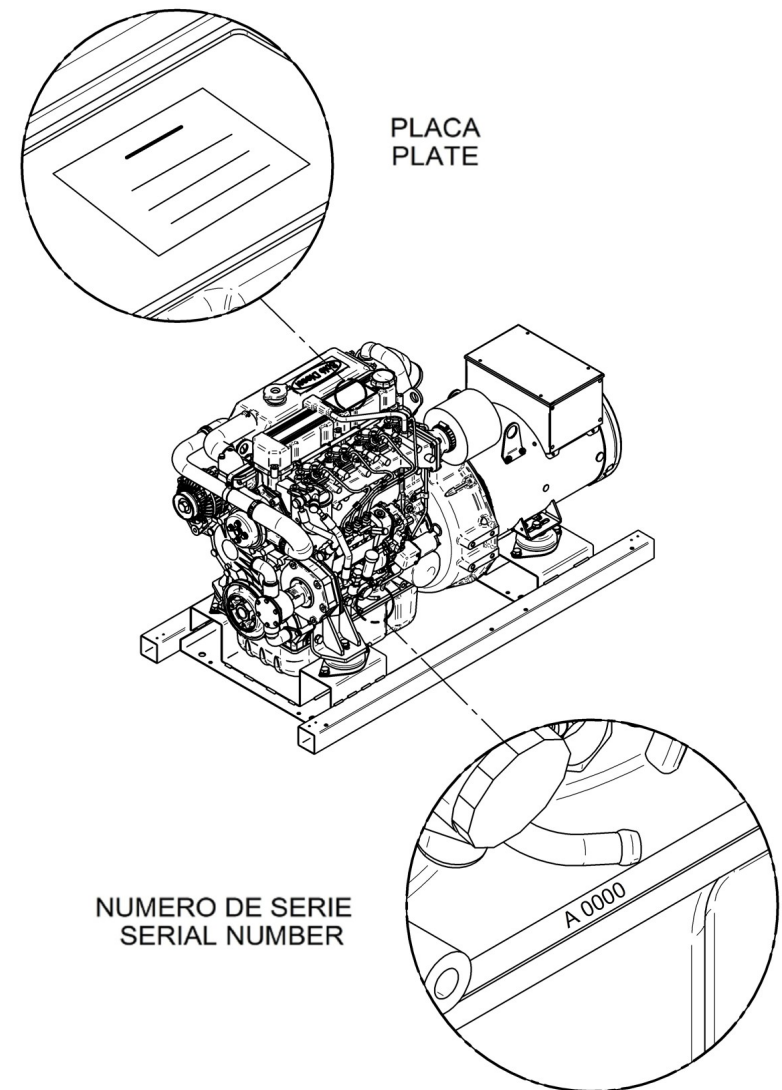
Hoses, indicates the total length in meters

The diagrams shown in this catalog of spare parts, have only the purpose to identify the piece in question, its representation is not meaningful and may differ from the actual piece.

In case of doubt, contact Solé Advance, or your authorized dealer.

The parts i / or references in this catalog are subject to change without notice.

SOLÉ, S.A.
C-243b, km, 2
08760 Martorell (Barcelona) Spain



Index

Engine Body

- Cylinder Head
- Rocker Cover & Breather
- Valve Drive
- Timing Parts
- Gear Case
- Crankcase
- Rear Plate
- Piston & Connecting Rod
- Crankshaft & Flywheel
- Oil System
- Oil Pan
- Engine Brackets
- Drive Belt Guard For Genset Without Cabin

Inlet & Exhaust

- Inlet

Cooling System

- Water Pump
- Cooler Pipes
- Water Cooler Assy MINI-74 TAC (R)
- Wet Exhaust
- Cross Brace Pump from 74 to 616

Fuel System

- Fuel Pipe And Fuel Leak Alarm
- Injection Nozzle
- Governor Parts
- Kit 2nd Fuel Filter (Without Cabin) TAC
- Kit 2nd Fuel Filter (Cabin)

Electrical System

- Electrical System 12V
- Electrical System 24V

- Parallel Control System 12V
- Parallel Control System 24V
- Control and Power Cabinets
- Genset Extension TAC

Genset Alternator Spare Parts

- Alternator 35 GT/GTC & 40 GTA/GTAC
- Alternator Spare Parts

Genset Alternator Kit

- Alternator Kit Without Cabin
- Alternator Kit With Cabin (400/230V & 480/277V)
- Alternator Kit With Cabin (230V & 240V)

Chassis Spare Parts

- Genset Chassis

Canopy Spare Parts

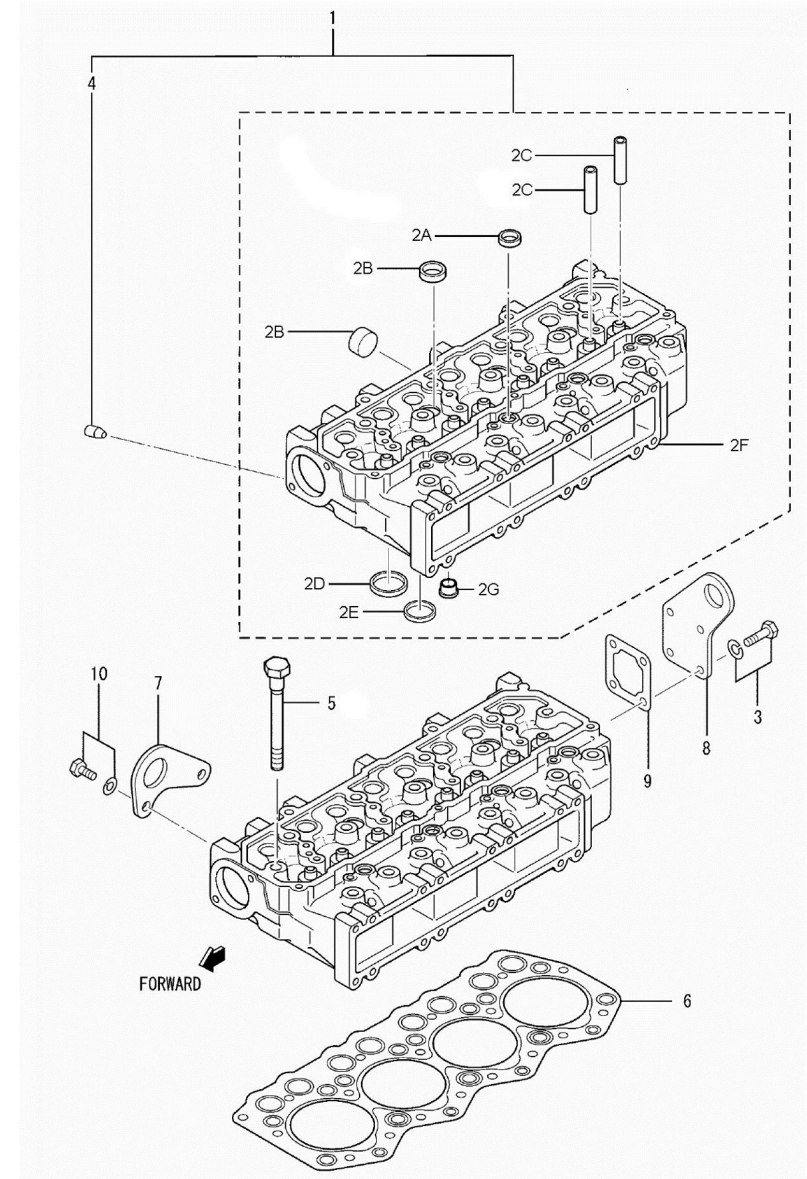
- Cabin
- Cabin Kit

Maintenance Kit

- Gasket Kit
- Pipe Rubber Set, Water Line TAC
- Repair Kit Water Pump 1"
- Special Tools
- Special Tools

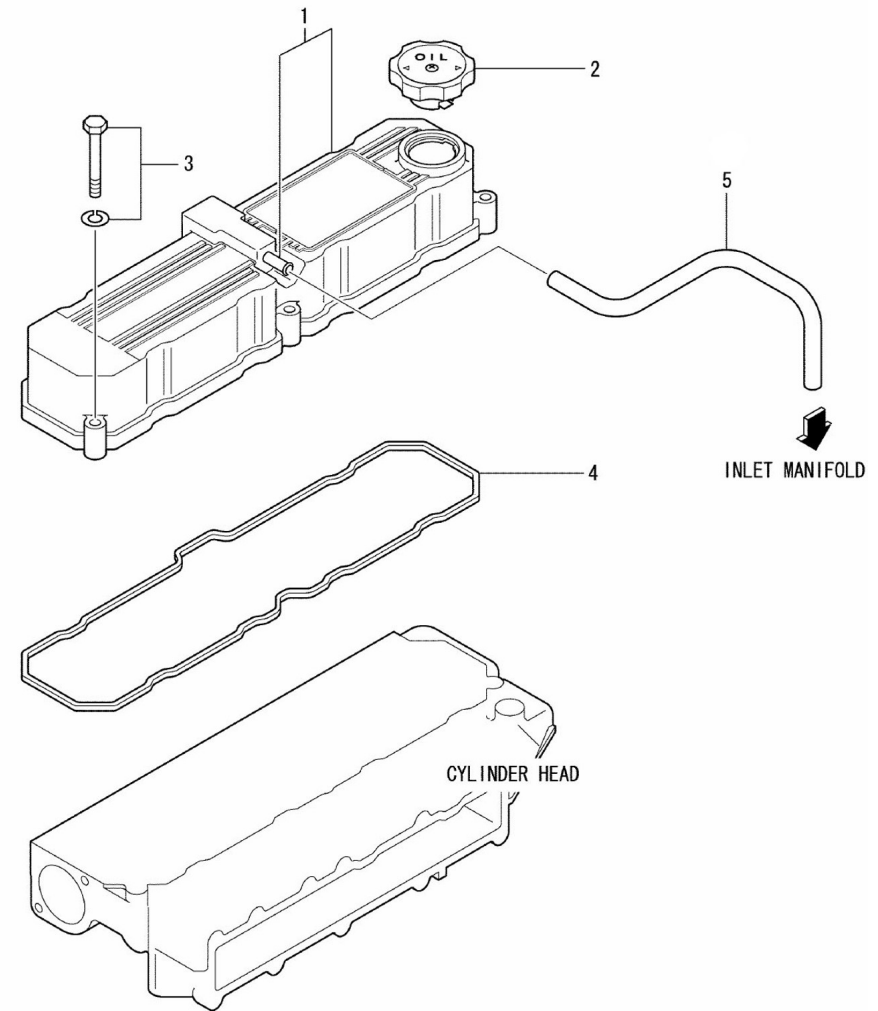
D MI74GSTDN 01 1 **Cylinder Head**

| Fig. | Ref. | Qty. | Descr. | Obs | From | UpTo |
|------|-------------|------|---------------------------|-----|------|------|
| 1 | 17421001 | 1 | Head Assy,Cylinder | | | |
| 2A | 17220006 | 8 | Cap, Sealing | | | |
| 2B | 13220012 | 7 | Cap Sealing | | | |
| 2C | 17421002 | 8 | Guide,Valve | | | |
| 2D | 17421061 | 4 | Seat,Valve,IN | | | |
| 2E | 17421062 | 4 | Seat,Valve,Exhaust | | | |
| 2F | (*) | 2 | Not available | | | |
| 2G | 17421015 | 4 | JET,COMBUSTION | | | |
| 3 | 17421012G.1 | 4 | Bolt W/Washer (Generator) | | | |
| 4 | 17421046G.3 | 1 | Plug | | | |
| 5 | 17421005 | 17 | Bolt,cylinder head | | | |
| 6 | 17421004 | 1 | Gasket,Cylinder Head | | | |
| 7 | 17420014 | 1 | Eye,Lifting,Front | | | |
| 8 | 17421018 | 1 | Eye,Lifting;Head Rea | | | |
| 9 | 17421011 | 1 | Gasket | | | |
| 10 | 17821012 | 2 | Bolt,W/Washer | | | |



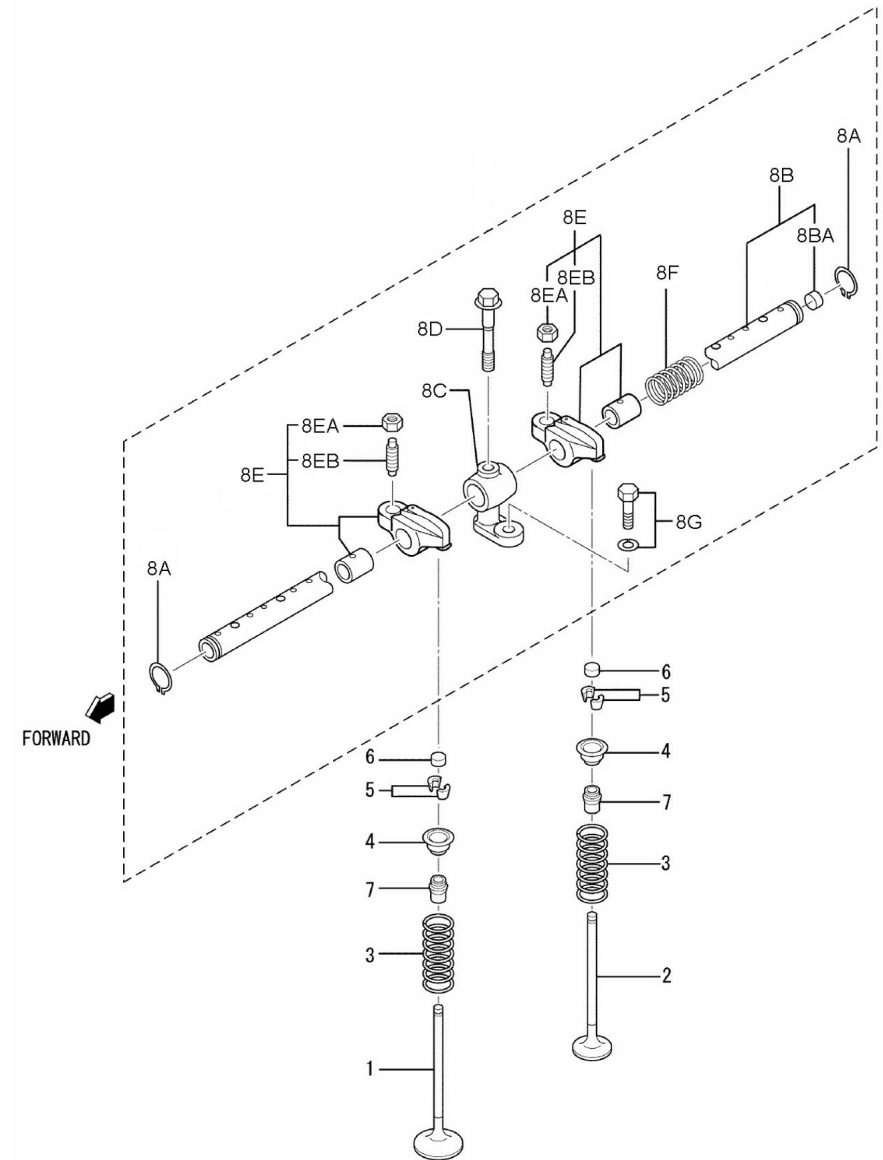
D MI74GSTDN 01 2 **Rocker Cover & Breather**

| Fig. | Ref. | Qty. | Descr. | Obs | From | UpTo |
|------|-------------|------|---------------------------|-----|------|------|
| 1 | 17421009.2 | 1 | Cover Assy,Rocker | | | |
| 2 | 17221003G | 1 | Cap Oil Filler | | | |
| 3 | 17421014G.1 | 5 | Bolt W/Washer (Generator) | | | |
| 4 | 17421010 | 1 | Rocker Cover Gasket | | | |
| 5 | 17421006 | 1 | Hose,BREATHER | | | |



D GG04 1 3 **Valve Drive**

| Fig. | Ref. | Qty. | Descr. | Obs | From | UpTo |
|------|-------------|------|-------------------------|-----|------|------|
| 1 | 17422055.1 | 4 | Valve,Inlet | | | |
| 2 | 17422056 | 4 | Exhaust Valve | | | |
| 3 | 13322028 | 8 | Spring, valve outler | | | |
| 4 | 17422058 | 8 | Retainer,Upper | | | |
| 5 | 17122059.1 | 16 | Cotter,Valve | | | |
| 6 | 13322024 | 8 | Cap | | | |
| 7 | 17422057 | 8 | Seal, Valve Stem | | | |
| 8A | 17222050 | 2 | Ring, SNAP | | | |
| 8B | 17422046 | 1 | Shaft Assy,Rocker | | | |
| 8BA | 13322023 | 2 | Cap, Sealing | | | |
| 8C | 17422048 | 4 | Bracket,Rocker Shaft | | | |
| 8D | 17422053 | 4 | Bolt,Rocker Bracket | | | |
| 8E | 17422142.1 | 8 | Rocker Assy | | | |
| 8EA | 17122060 | 8 | Nut | | | |
| 8EB | 17122044 | 8 | Screw Adjusting | | | |
| 8F | 17422047G.1 | 3 | Spring,Rocker | | | |
| 8GA | 52102258 | 4 | Bolt DIN 933 M8-25 8.8 | | | |
| 8GB | 53033008 | 4 | Washer GROWER DIN 127-8 | | | |

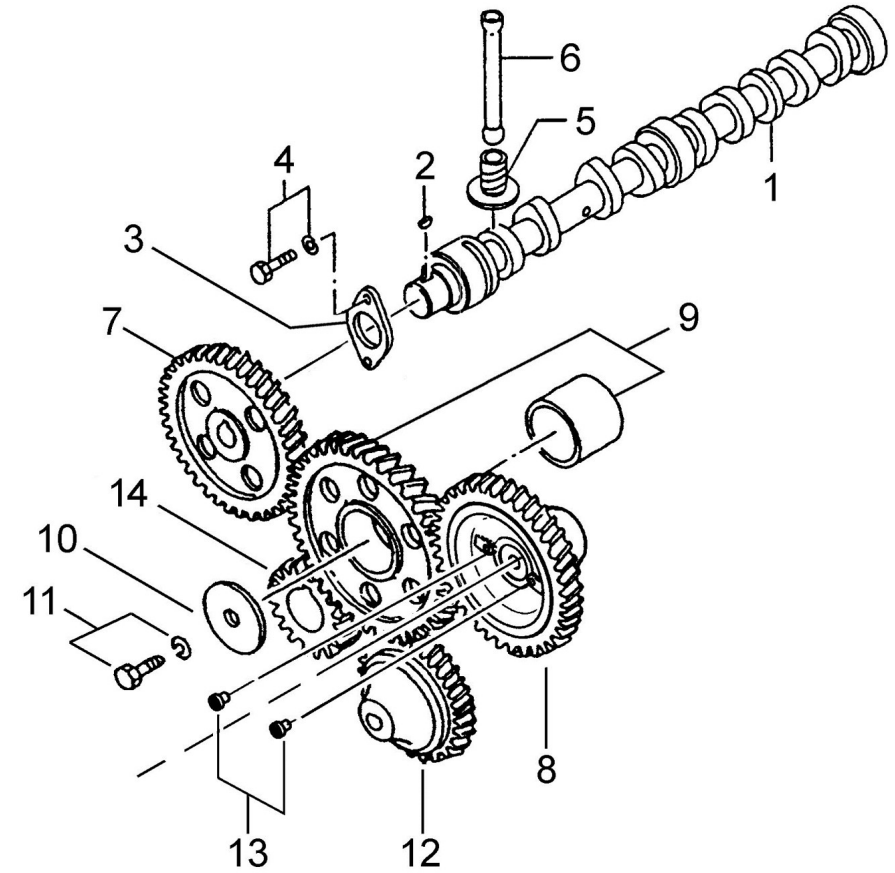


Genset 35 GT/GTC & 40 GTA/GTAC TAC

Engine Body

D GG04 1 4 Timing Parts

| Fig. | Ref. | Qty. | Descr. | Obs | From | UpTo |
|------|-------------|------|---------------------------|-----|------|------|
| 1 | 17422035 | 1 | CamShaft | | | |
| 2 | 13322034 | 1 | Key Woodruff | | | |
| 3 | 17422075 | 1 | Plate,THRUST | | | |
| 4 | 17422037G.1 | 2 | Bolt W/Washer (Generator) | | | |
| 5 | 17122061 | 8 | Tappet | | | |
| 6 | 17122041 | 8 | Rod, push | | | |
| 7 | 17422037 | 1 | Gear,CamShaft Z=46 | | | |
| 8 | 17422040 | 1 | Gear,INJ.Pump Z=46 | | | |
| 9 | 17422038 | 1 | Gear,IDLER Assy Z=49 | | | |
| 10 | 17122032 | 1 | Plate, thrust | | | |
| 11 | 17720010 | 1 | Bolt,W/Washer | | | |
| 12 | 17422066 | 1 | Gear,Oil Pump Z=31 | | | |
| 13 | 53104255 | 2 | Bolt DIN 7984 M8-12 10.9 | | | |
| 14 | 17422019 | 1 | Gear,CrankShaft | | | |

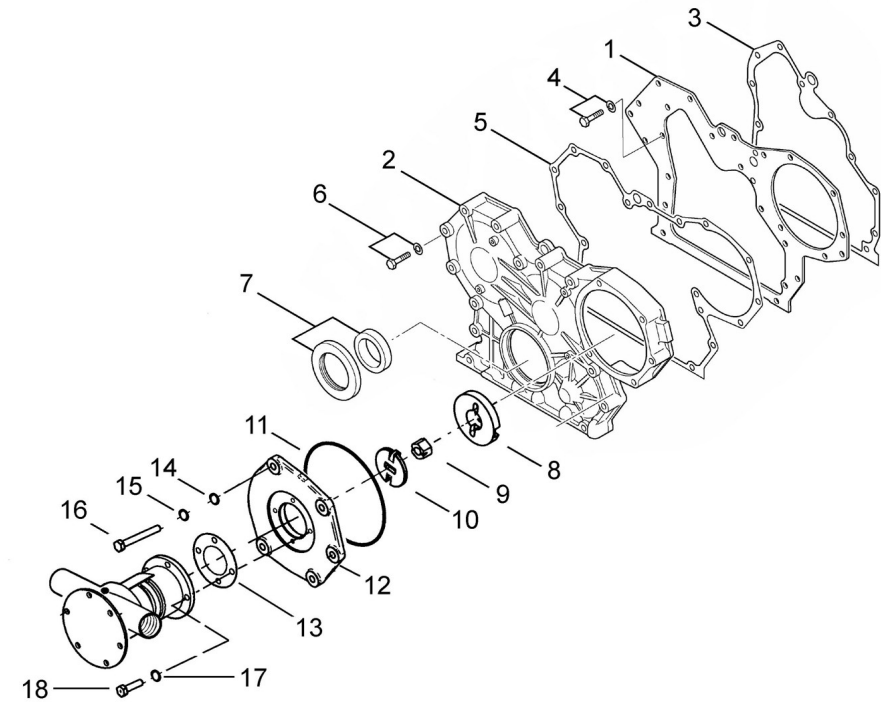


Genset 35 GT/GTC & 40 GTA/GTAC TAC

Engine Body

D MI74GSTDN 01 5 Gear Case

| Fig. | Ref. | Qty. | Descr. | Obs | From | UpTo |
|------|-------------|------|---------------------------|-----|------|------|
| 1 | 17420024G.1 | 1 | Plate,Front (Generator) | | | |
| 2 | 17420035G | 1 | Case,TIMING Gear | | | |
| 3 | 17420018 | 1 | Gasket,Front Plate | | | |
| 4 | 17422037G.1 | 5 | Bolt W/Washer (Generator) | | | |
| 5 | 17420040 | 1 | Gasket,Gear | | | |
| 6 | 17520047 | 13 | Bolt,W/Washer | | | |
| 7 | 17420039.1 | 1 | Seal Assy,Oil | | | |
| 8 | 17411026 | 1 | Coupling Drive | | | |
| 9 | 17422071 | 1 | Nut,INJ.Pump | | | |
| 10 | 15310072 | 1 | CrossHead Jaw Coupling | | | |
| 11 | 17420047 | 1 | O-Ring D. 140X2 | | | |
| 12 | 17410010 | 1 | Block Water Pump | | | |
| 13 | 13310013 | 1 | Gasket,water pump | | | |
| 14 | 51030008 | 5 | Washer DIN 125-8 | | | |
| 15 | 53038008 | 5 | Washer DIN 6798-A 8 | | | |
| 16 | 52101266 | 5 | Bolt DIN 931 M8-65 8.8 | | | |
| 17 | 51030006 | 4 | Washer DIN 125-6 | | | |
| 18 | 52103156 | 4 | Bolt DIN 912 M6-16 8.8 | | | |

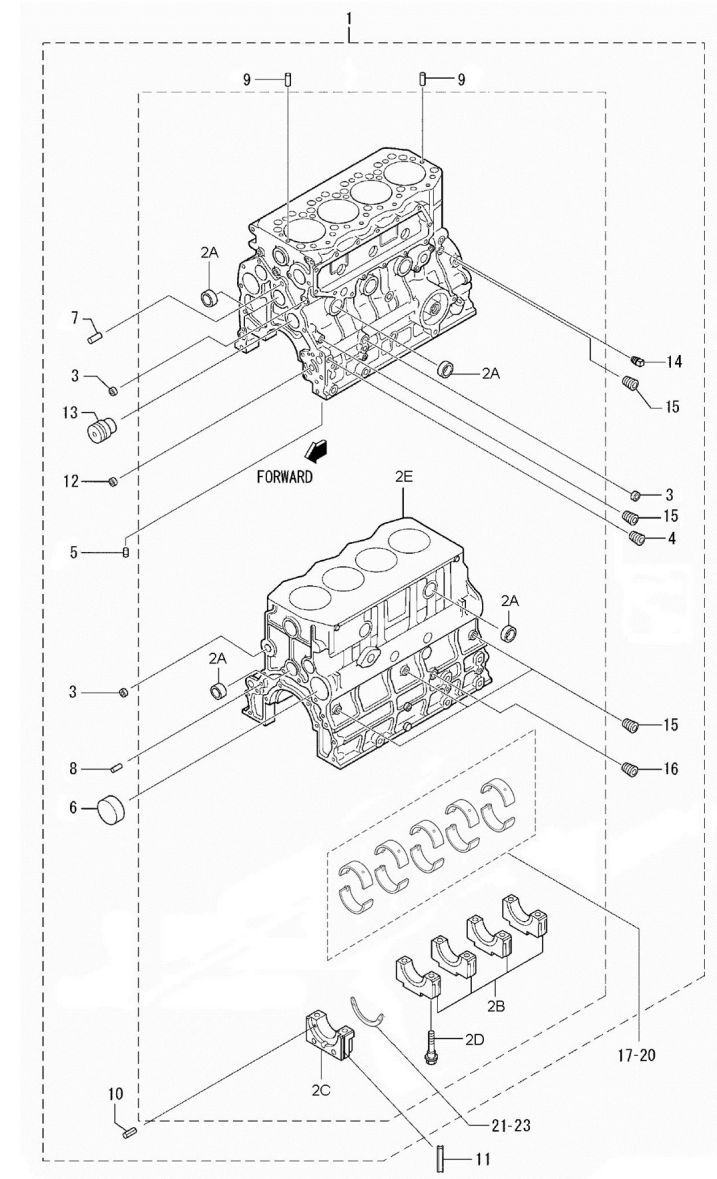


Genset 35 GT/GTC & 40 GTA/GTAC TAC

Engine Body

D GG04 1 6 Cranckcase

| Fig. | Ref. | Qty. | Descr. | Obs | From | UpTo |
|------|-------------|------|----------------------------|-----|------|------|
| 1 | 17420001G.3 | 1 | Crankcase Assy (Generator) | | | |
| 2A | 13320006 | 10 | Cap, Sealing | | | |
| 2B | (*) | 6 | Not available | | | |
| 2C | (*1) | 1 | Not available | | | |
| 2D | 17420009 | 10 | Bolt Bearing Cap | | | |
| 3 | 13320007 | 4 | Cap, Sealing | | | |
| 4 | 17420027G.1 | 1 | Plug,TAPPERED (Generator) | | | |
| 5 | 17421046G.3 | 3 | Plug | | | |
| 6 | 17420013G.3 | 1 | Plug | | | |
| 7 | 17420036 | 2 | Pin,Dowel | | | |
| 8 | 13320025 | 2 | Pin | | | |
| 9 | 17120019 | 2 | Pin, dowel | | | |
| 10 | 17420012 | 6 | Pin,Spring | | | |
| 11 | 17420112 | 2 | Seal,Valve | | | |
| 12 | 17420011G.3 | 1 | Bushing | | | |
| 13 | 17420034 | 1 | Shaft,IDLER | | | |
| 14 | 17120022 | 1 | Plug, tapered | | | |
| 15 | 17820011 | 5 | Plug, Tapered | | | |
| 16 | 17620024.4 | 1 | Plug TAPER | | | |
| 17 | 17420003 | 1 | METAL,MAIN Set STD | | | |
| 18 | 17420004 | 1 | METAL,MAIN Set -0,25 | | | |
| 19 | 17420005 | 1 | METAL,MAIN Set -0,50 | | | |
| 20 | 17420006 | 1 | METAL,MAIN Set -0,75 | | | |
| 21 | 17420109 | 3 | Plate,THRUST.C/S STD | | | |
| 22 | 17420110 | 3 | Plate,THRUST.C/S +0,15 | | | |
| 23 | 17420111 | 3 | Plate,THRUST.C/S +0,30 | | | |

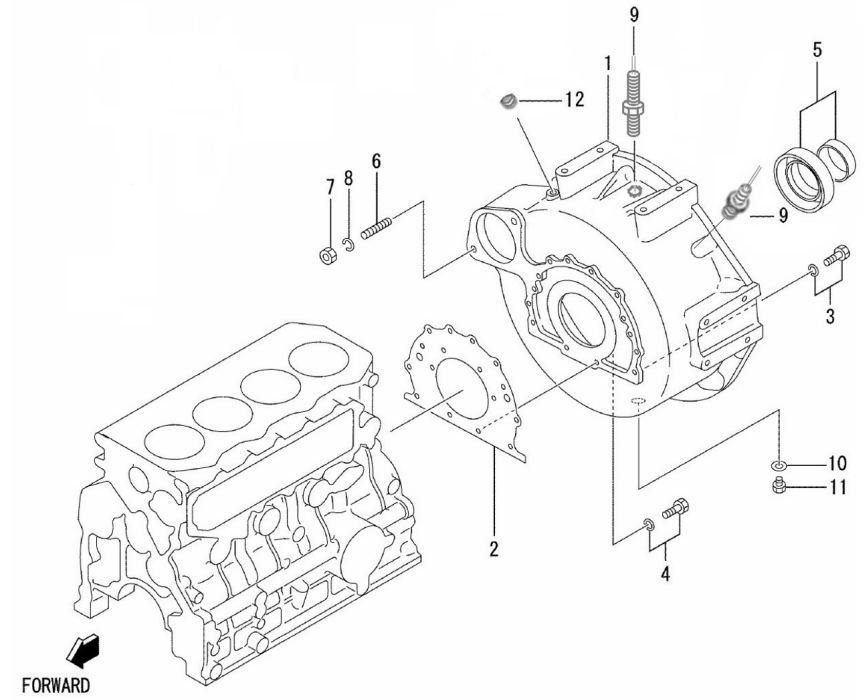


Genset 35 GT/GTC & 40 GTA/GTAC TAC

Engine Body

D MI74GSTDN 01 7 Rear Plate

| Fig. | Ref. | Qty. | Descr. | Obs | From | UpTo |
|------|-------------|------|------------------------------|-----|------|------|
| 1 | 17A20007G.3 | 1 | Flyweel Housing Pickup | | | |
| 2 | 17420025 | 1 | Gasket,Rear | | | |
| 3 | 17327129.2 | 10 | Bolt | | | |
| 4 | 17420028G.1 | 2 | Bolt,W/Washer (Generator) | | | |
| 5 | 13320063 | 1 | Seal Oil | | | |
| 6 | 13320067 | 2 | Stud | | | |
| 7 | 17827003 | 2 | Nut | | | |
| 8 | 17433010 | 2 | Washer spring | | | |
| 9 | 60972519 | 2 | Magnetic Speed Sensor | | | |
| 10 | 56000077 | 1 | Washer 18-23-1,5 | | | |
| 11 | 13224045 | 1 | Plug | | | |
| 12 | 52211454 | 1 | Stud ALLEN DIN913 M16x1,5-16 | | | |

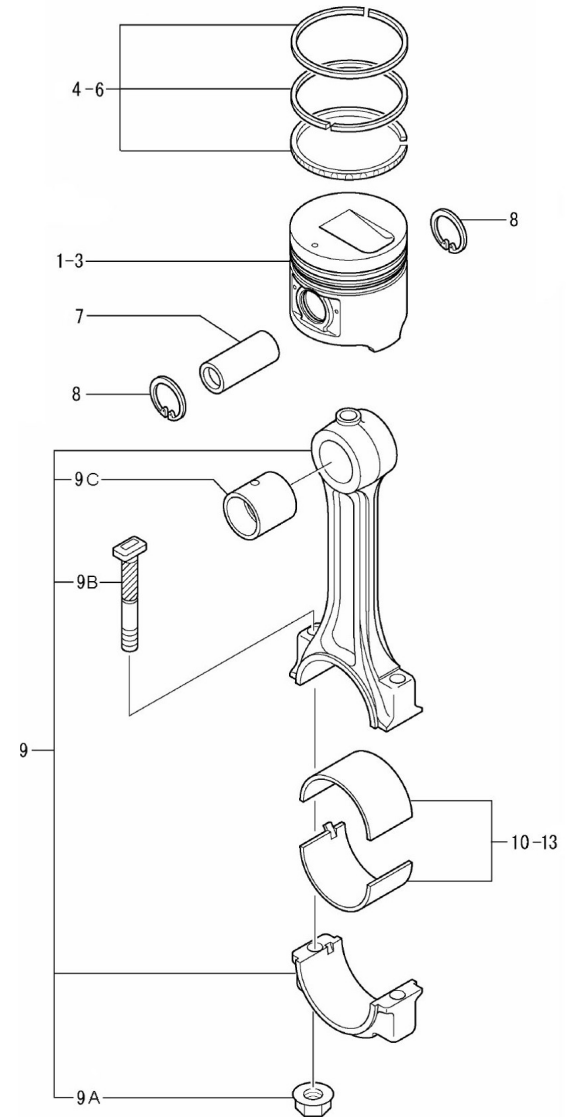


Genset 35 GT/GTC & 40 GTA/GTAC TAC

Engine Body

D GG04 1 8 Piston & Connecting Rod

| Fig. | Ref. | Qty. | Descr. | Obs | From | UpTo |
|------|-------------|------|--------------------------------------|-----|------|------|
| 1 | 17422001G.1 | 4 | Piston STD. (Generator) | | | |
| 2 | 17422002G.1 | 4 | Piston O.S 0.25 (Generator) | | | |
| 3 | 17422003G.1 | 4 | Piston O.S 0.50 (Generator) | | | |
| 4 | 17422006G.1 | 4 | Ring Set,Piston STD.(Generator) | | | |
| 5 | 17422007G.1 | 4 | Ring Set,Piston O.S 0.25 (Generator) | | | |
| 6 | 17422008G.1 | 4 | Ring Set,Piston O.S 0.50 (Generator) | | | |
| 7 | 17422009 | 4 | Pin,Piston | | | |
| 8 | 17422010 | 8 | Ring,Snap | | | |
| 9 | 17822012 | 4 | Rod Assy. Connecting | | | |
| 9A | 17822011 | 8 | Nut | | | |
| 9B | 17122013 | 8 | Bolt,connecting rod | | | |
| 9C | 17422033 | 4 | Bushing,Con-Rod | | | |
| 10 | 17422014 | 1 | Bearing Set,Con-Rod,STD. | | | |
| 11 | 17422015 | 1 | Bearing Set,Con-Rod,U.S -0,25 | | | |
| 12 | 17822016 | 1 | Bearing Set, Con-Rod, U.S 0,50 | | | |
| 13 | 17822017 | 1 | Bearing Set, Con-Rod, U.S 0,75 | | | |

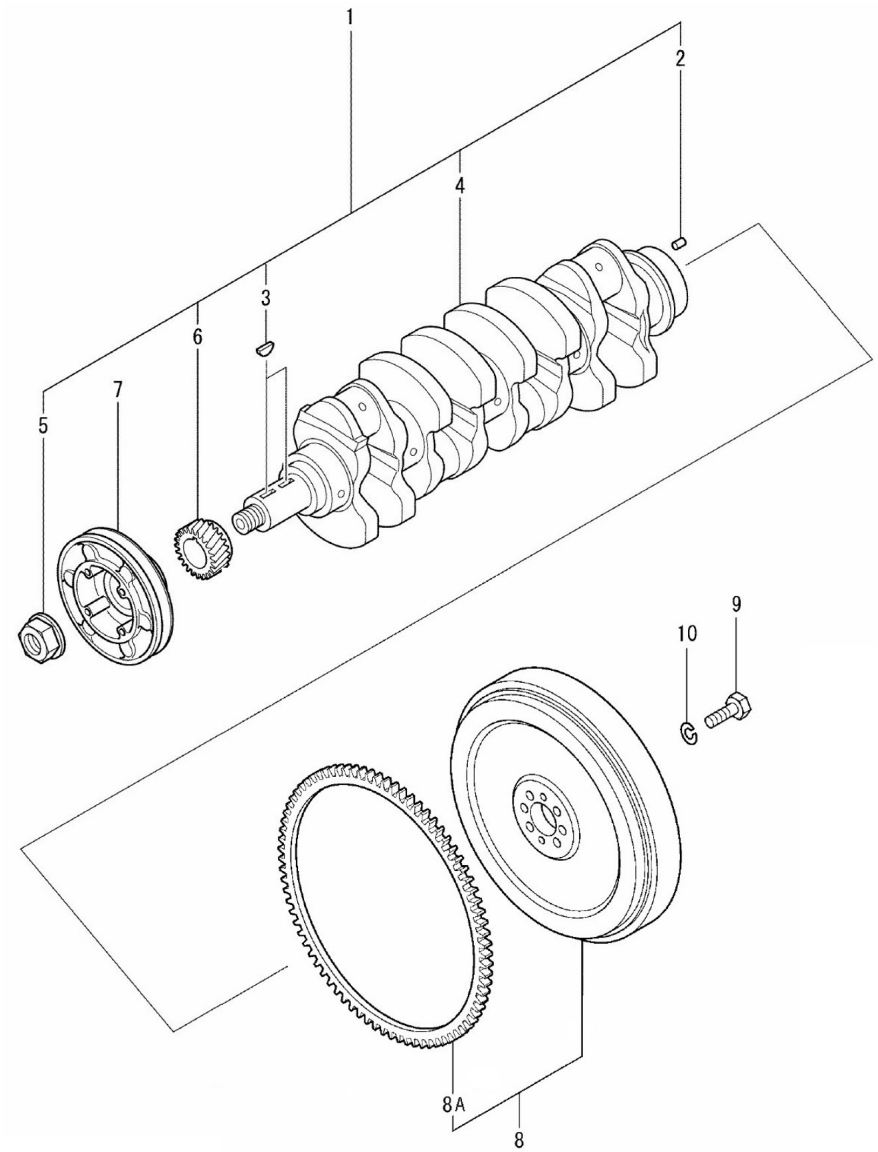


Genset 35 GT/GTC & 40 GTA/GTAC TAC

Engine Body

D GG04 1 9 Crankshaft & Flywheel

| Fig. | Ref. | Qty. | Descr. | Obs | From | UpTo |
|------|----------|------|--------------------------|-----|------|------|
| 1 | 17422018 | 1 | CrankShaft Assy | | | |
| 2 | 13322059 | 2 | Pin | | | |
| 3 | 13322034 | 2 | Key Woodruff | | | |
| 4 | (*) | 1 | Not available | | | |
| 5 | 17422026 | 1 | Nut,CrankShaft | | | |
| 6 | 17422019 | 1 | Gear,CrankShaft | | | |
| 7 | 17422024 | 1 | Pulley CrankShaft | | | |
| 8 | 17422027 | 1 | Flywheel Assy | | | |
| 8A | 17422029 | 1 | Gear, Ring Z=122 | | | |
| 9 | 13322065 | 4 | Bolt | | | |
| 10 | 53033012 | 4 | Washer Grower DIN 127-12 | | | |

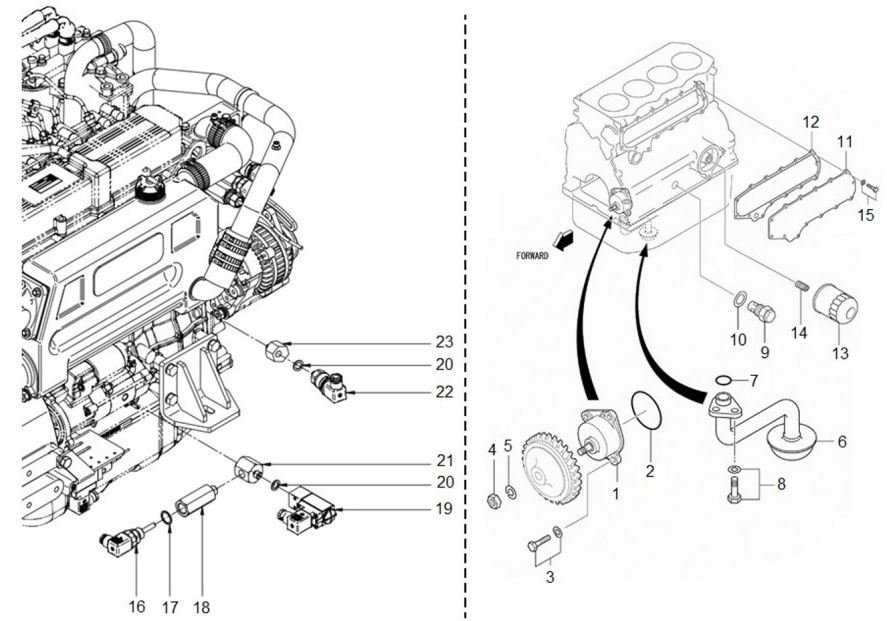


Genset 35 GT/GTC & 40 GTA/GTAC TAC

Engine Body

D MI74GSTDN 01 10 Oil System

| Fig. | Ref. | Qty. | Descr. | Obs | From | UpTo |
|------|-------------|------|---------------------------------------|-----|------|------|
| 1 | 17424040 | 1 | Pump Assy,Oil | | | |
| 2 | 17424055 | 1 | O-Ring D. 60X2 | | | |
| 3 | 17421012G.1 | 4 | Bolt W/Washer (Generator) | | | |
| 4 | 13122045 | 1 | Nut | | | |
| 5 | 17433010 | 1 | Washer spring | | | |
| 6 | 17424052 | 1 | STrainer,Oil | | | |
| 7 | 17424060 | 1 | O-Ring D. 22X2,4 | | | |
| 8 | 17422037G.1 | 2 | Bolt W/Washer (Generator) | | | |
| 9 | 17124072 | 1 | Valve, Assy | | | |
| 10 | 17424063 | 1 | Gasket | | | |
| 11 | 17424065G | 1 | Cover,CRANKCase Side | | | |
| 12 | 17424062.1 | 1 | Gasket,Side Cover | | | |
| 13 | 17424051 | 1 | Oil Filter Element MINI-74/SM-82/94 | | | |
| 14 | 17424054 | 1 | Union,Oil Filter | | | |
| 15 | 17821012 | 14 | Bolt,W/Washer | | | |
| 16 | 60994075 | 1 | Temperature Sensor | | | |
| 17 | 56000083 | 1 | Washer 21-26-1,5 | | | |
| 18 | 17A17028 | 1 | Conversion Adapter G1/2 a 3/8 | | | |
| 19 | 6097A072 | 1 | Compact Pressure Switch | | | |
| 20 | 56000067 | 2 | Washer 13-20-1,5 | | | |
| 21 | 17A17037 | 1 | Conversion Adapter R 1/8 A G1/4 G1/8 | | | |
| 22 | 60994076 | 1 | Marine Approved Pressure Transmitters | | | |
| 23 | 17A17035.1 | 1 | Conversion Adapter G1/4 a G1/8 BSPT | | | |

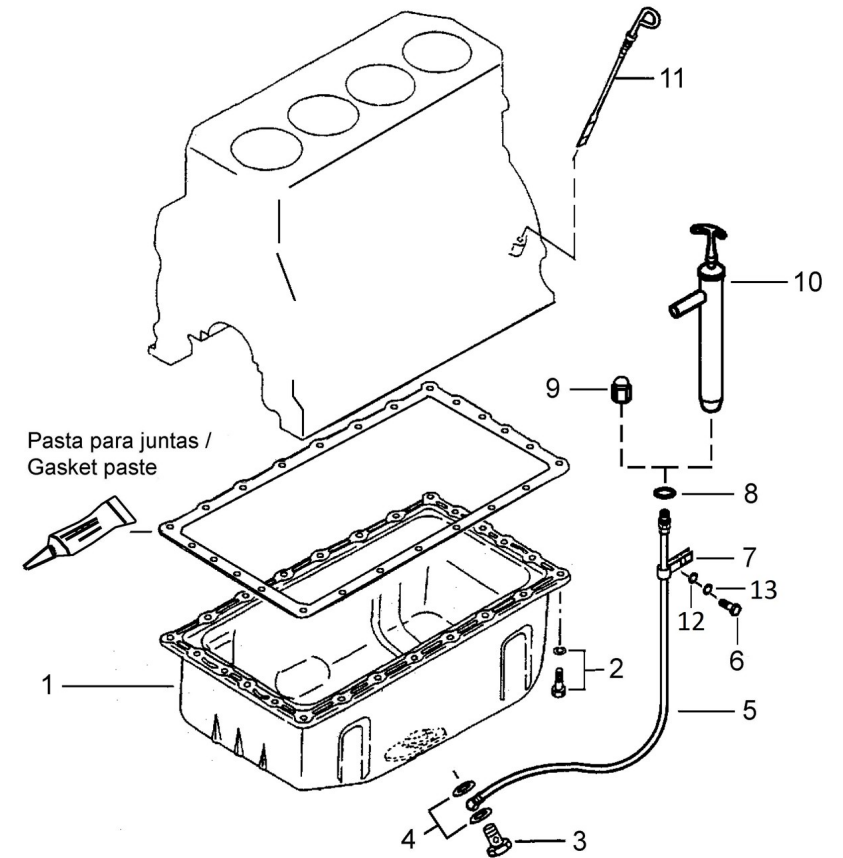


Genset 35 GT/GTC & 40 GTA/GTAC TAC

Engine Body

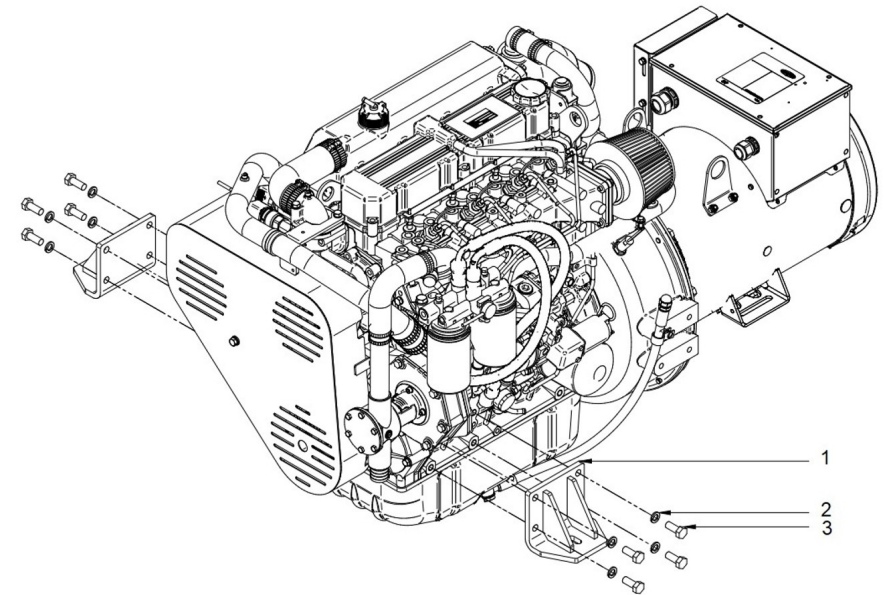
D GG04 1 11 Oil Pan

| Fig. | Ref. | Qty. | Descr. | Obs | From | UpTo |
|------|----------|------|--------------------------|-----|------|------|
| 1 | 17420030 | 1 | Oil PAN Assy | | | |
| 2 | 17821012 | 24 | Bolt,W/Washer | | | |
| 3 | 12814051 | 1 | Screw,eye | | | |
| 4 | 56000069 | 2 | Washer 14-20-1,5 | | | |
| 5 | 17114021 | 1 | Extraction Hose | | | |
| 6 | 52102360 | 1 | Bolt DIN 933 M12-35 8.8 | | | |
| 7 | 17214022 | 1 | Bracket, Pipe | | | |
| 8 | 56000217 | 1 | Washer 13-20-3 | | | |
| 9 | 16514020 | 1 | Plug | | | |
| 10 | 14714001 | 1 | Oil Extraction Pump | | | |
| 11 | 17420029 | 1 | Gauge Oil LEVEL | | | |
| 12 | 51030012 | 1 | Washer DIN 125-12 | | | |
| 13 | 53033012 | 1 | Washer Grower DIN 127-12 | | | |



D MI74GSTDN 01 12 Engine Brackets


| <i>Fig.</i> | <i>Ref.</i> | <i>Qty.</i> | <i>Descr.</i> | <i>Obs</i> | <i>From</i> | <i>UpTo</i> |
|-------------|-------------|-------------|--------------------------|------------|-------------|-------------|
| 1 | 17410001G | 2 | Support ANTERIUER | | | |
| 2 | 53033012 | 8 | Washer Grower DIN 127-12 | | | |
| 3 | 52102359 | 8 | Bolt DIN 933 M12-30 8.8 | | | |

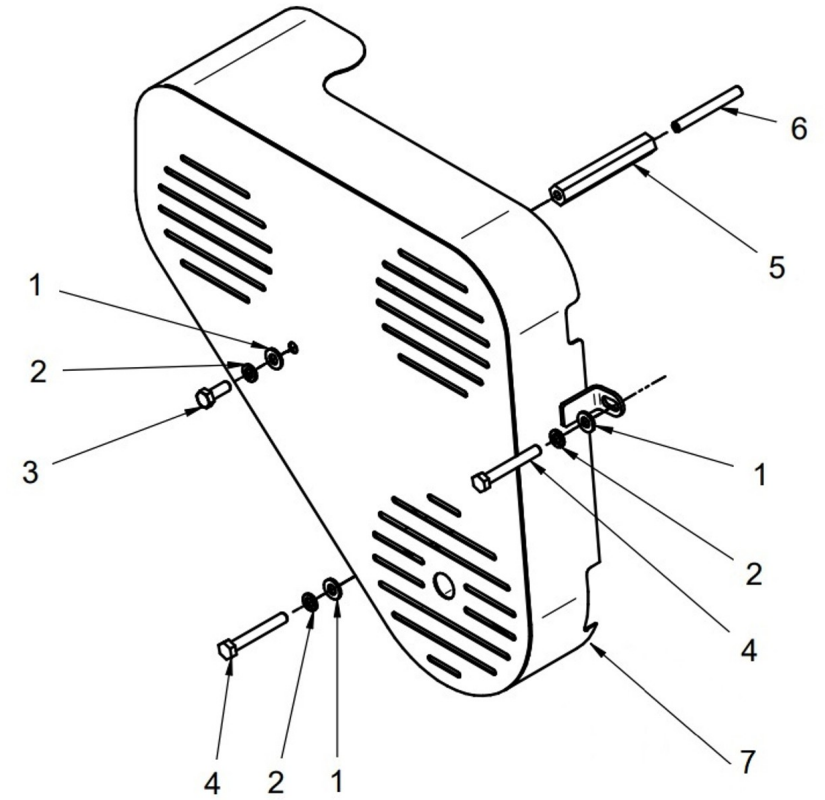


Genset 35 GT/GTC & 40 GTA/GTAC TAC

Engine Body

D 17410020R Drive Belt Guard For Genset Without Cabin

| Fig. | Ref. | Qty. | Descr. | Obs | From | UpTo |
|------|---------------|------|--------------------------|---|------|------|
| 1 | 51030008 | 3 | Washer DIN 125-8 | | | |
| 2 | 53033008 | 3 | Washer GROWER DIN 127-8 | | | |
| 3 | 52102257 | 1 | Bolt DIN 933 M8-20 8.8 | | | |
| 4 | 52101265 | 2 | Bolt DIN 931 M8-60 8.8 | | | |
| 5 | 17410021.6BIC | 1 | Spacer Zinc Plated White | | | |
| 6 | 52113267 | 1 | Rod DIN 913 M8-70 8.8 | | | |
| 7 | 17410020P | 1 | Belt Guard | | | |
| NS | 17810022 | 1 | Bracket Protection Belt |  | | |

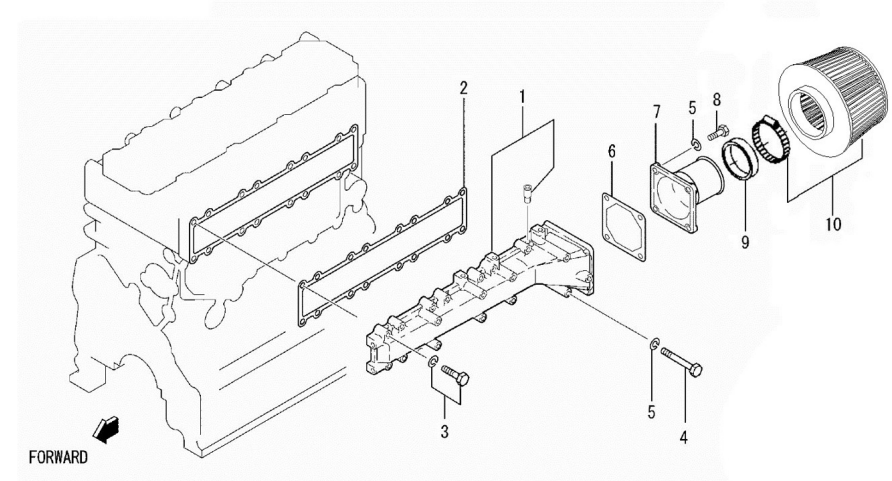


Genset 35 GT/GTC & 40 GTA/GTAC TAC

Inlet & Exhaust

D MI74GSTDN 02 1 Inlet

| <i>Fig.</i> | <i>Ref.</i> | <i>Qty.</i> | <i>Descr.</i> | <i>Obs</i> | <i>From</i> | <i>UpTo</i> |
|-------------|-------------|-------------|---------------------------|------------|-------------|-------------|
| 1 | 17421030 | 1 | MANIFOLD Assy,Inlet | | | |
| 2 | 17421032 | 1 | Gasket IN.MANIFOLD | | | |
| 3 | 17421014G.1 | 14 | Bolt W/Washer (Generator) | | | |
| 4 | 17421014G | 2 | Bolt (Generator) | | | |
| 5 | 53033008 | 6 | Washer GROWER DIN 127-8 | | | |
| 6 | 17421042 | 1 | Gasket | | | |
| 7 | 17421029 | 1 | Pipe,Air Inlet | | | |
| 8 | 52102258 | 4 | Bolt DIN 933 M8-25 8.8 | | | |
| 9 | 17410032 | 1 | Ring | | | |
| 10 | 17410034 | 1 | Air Filter | | | |

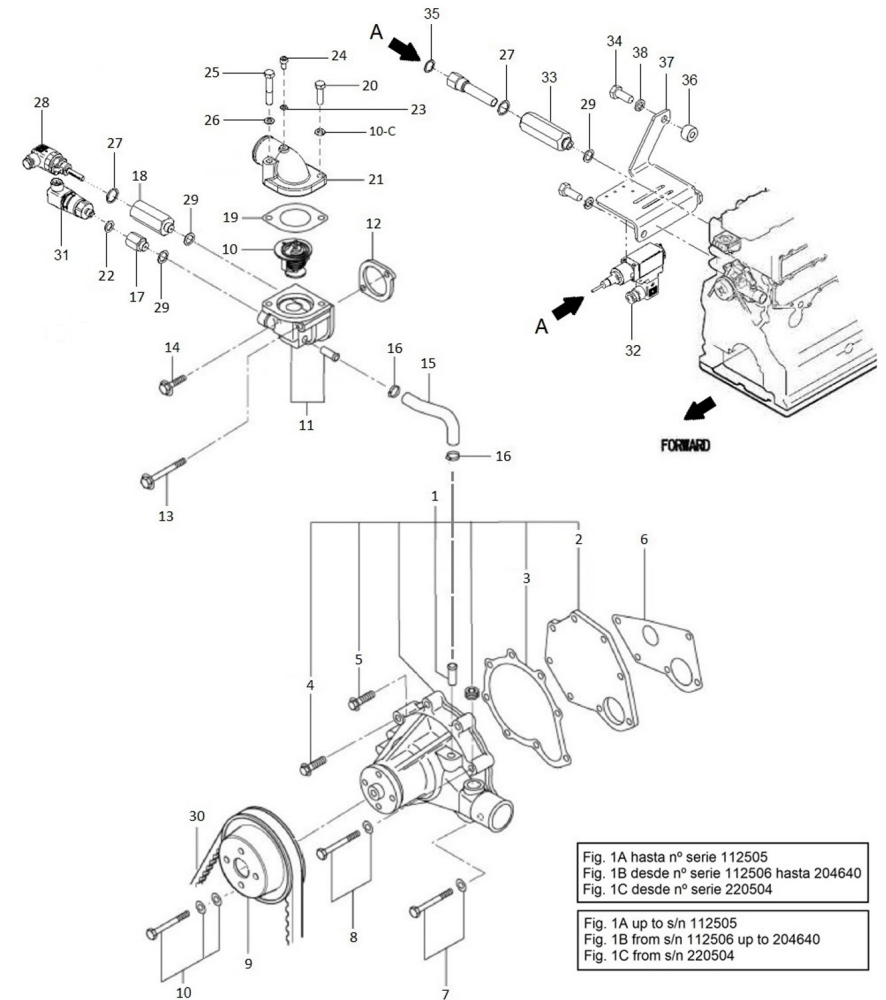


Genset 35 GT/GTC & 40 GTA/GTAC TAC

Cooling System

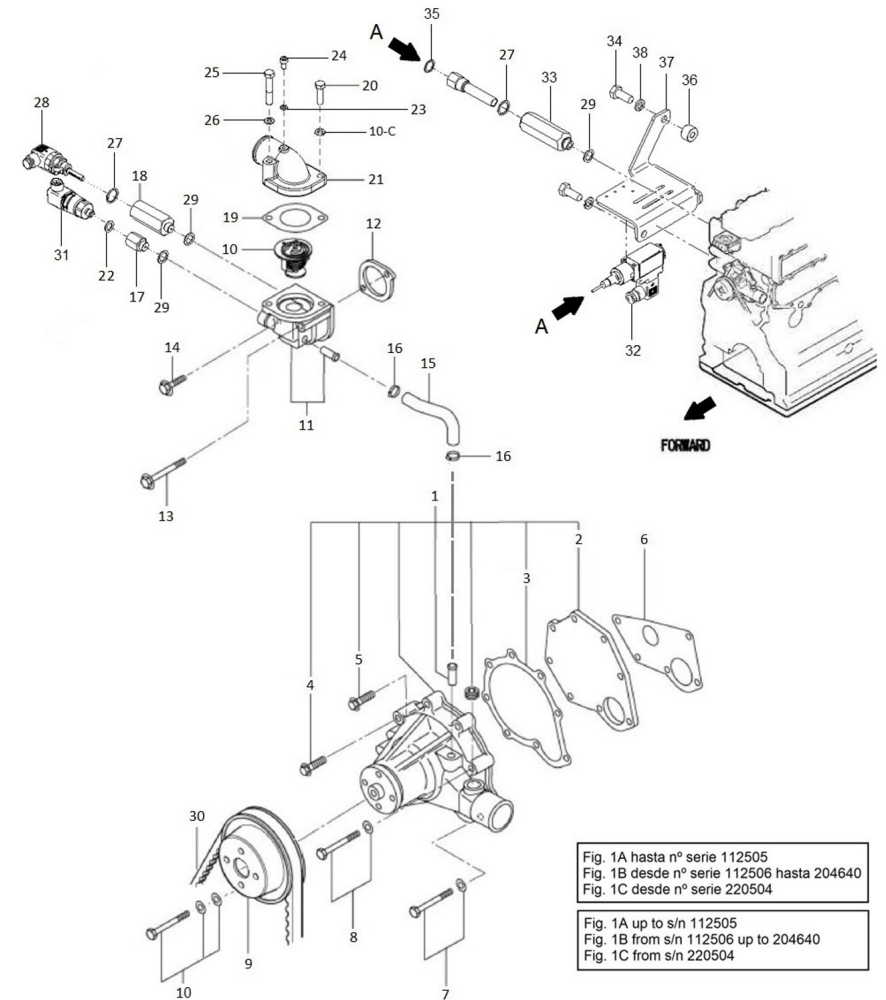
D MI74GSTDN 03 1 Water Pump

| Fig. | Ref. | Qty. | Descr. | Obs | From | UpTo |
|------|-------------|------|-----------------------------------|-----|------|------|
| 1A | 17421020G4 | 1 | Fresh Water Assy (tube 10) | | | |
| 1B | 17421020G.3 | 1 | Fresh Water Pump | | | |
| 1C | 17421020G.2 | 1 | Fresh Water Pump | | | |
| 2 | 17421043 | 1 | Cover,Water Pump | | | |
| 3 | 17421022 | 1 | Gasket,Pump Cover | | | |
| 4 | 17421026G | 1 | Bolt,Flange | | | |
| 5 | 17821026 | 2 | Bolt, Flange | | | |
| 6 | 17421041 | 1 | Gasket,Side Cover | | | |
| 7 | 17421039G.1 | 4 | Bolt,W/Washer (Generator) | | | |
| 8 | 17420062G.1 | 1 | Bolt,W/Washer (Generator) | | | |
| 9 | 17121021 | 1 | Pulley,Water Pump | | | |
| 10 | 17121027 | 1 | Thermostat | | | |
| 10A | 52102256 | 4 | Bolt DIN 933 M8-16 8.8 | | | |
| 10B | 51030008 | 4 | Washer DIN 125-8 | | | |
| 10C | 53033008 | 5 | Washer GROWER DIN 127-8 | | | |
| 11 | 17421037G.1 | 1 | Case Assy (Generator) | | | |
| 12 | 17421016G.2 | 1 | Gasket (Generator) | | | |
| 13 | 17821038 | 1 | Bolt, Flange | | | |
| 14 | 17821039 | 1 | Bolt, Flange | | | |
| 15 | 17421025G.1 | 1 | Hose,BY-PASS (Generator) | | | |
| 16 | 54081020 | 2 | Clamp DIN 3017 20-32/9 W4 | | | |
| 17 | 17A17030 | 1 | Conversion Adapter G1/4 a 5/8"SAE | | | |
| 18 | 17A17031 | 1 | Conversion Adapter G1/2 A 5/8 UNF | | | |
| 19 | 17111021 | 1 | Gasket | | | |
| 20 | 52102259 | 1 | Bolt DIN 933 M8-30 8.8 | | | |
| 21 | 17111020 | 1 | Fitting,water outlet | | | |
| 22 | 56000067 | 1 | Washer 13-20-1,5 | | | |
| 23 | 56000053 | 1 | Washer 6-10-1,5 | | | |
| 24 | 13811035 | 1 | Bolt,bleed | | | |
| 25 | 52101263 | 1 | Bolt DIN 931 M8-50 8.8 | | | |
| 26 | 53038008 | 1 | Washer DIN 6798-A 8 | | | |



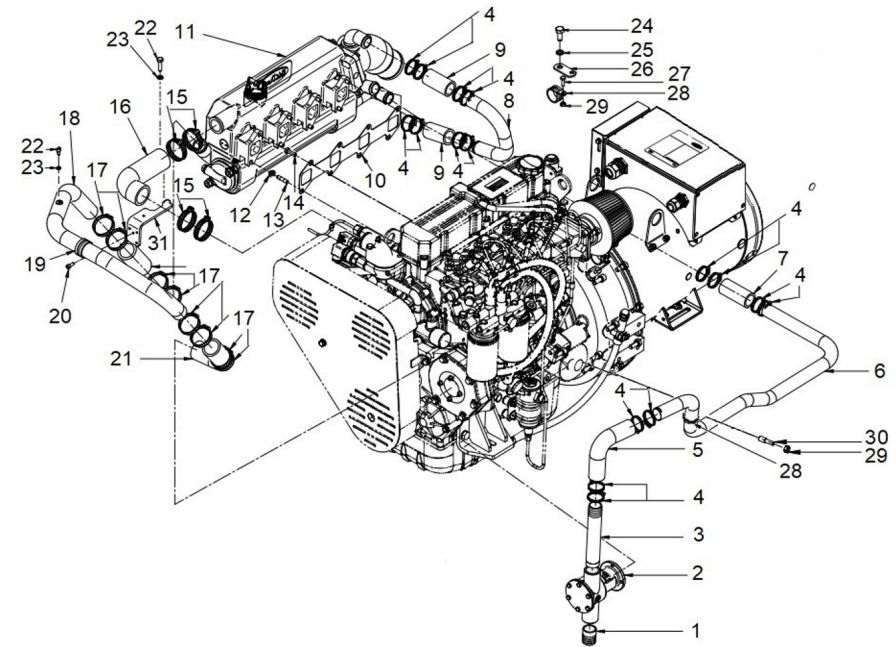
D MI74GSTDN 03 1 Water Pump

| Fig. | Ref. | Qty. | Descr. | Obs | From | UpTo |
|------|----------|------|---------------------------------------|-----|------|------|
| 27 | 56000083 | 2 | Washer 21-26-1,5 | | | |
| 28 | 60994075 | 1 | Temperature Sensor | | | |
| 29 | 56000073 | 3 | Copper Washer 16-23-1,5 | | | |
| 30 | 17430010 | 1 | Belt | | | |
| 31 | 60994076 | 1 | Marine Approved Pressure Transmitters | | | |
| 32 | 6097A075 | 1 | Thermostat DNV 95° Trafag | | | |
| 33 | 17A17033 | 1 | Conversion Adapter 5/8 UNF | | | |
| 34 | 52102360 | 1 | Bolt DIN 933 M12-35 8.8 | | | |
| 35 | 56000077 | 1 | Washer 18-23-1,5 | | | |
| 36 | 19117011 | 1 | Spacer 10,5X19X15 | | | |
| 37 | 17A17034 | 1 | Sensor Bracket | | | |
| 38 | 53033012 | 1 | Washer Grower DIN 127-12 | | | |



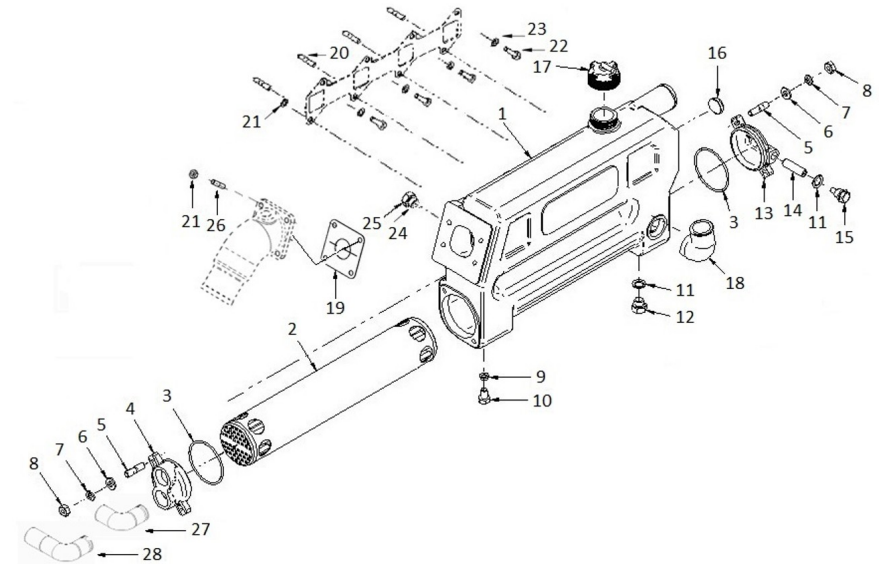
D MI74GSTDN 03 2 Cooler Pipes

| Fig. | Ref. | Qty. | Descr. | Obs | From | UpTo |
|------|--------------|------|-----------------------------------|-----|------|------|
| 1 | 60180007 | 1 | Outlet Coupling | | | |
| 2 | 36511000 | 1 | Cross Brace Pump from 74 to 616 | | | |
| 3 | 17411042 | 1 | Straight Brass Hose Connection | | | |
| 4 | 54081025 | 16 | Clamp DIN 3017 25-40/9 W4 | | | |
| 5 | 13211057 | 1 | Rubber | | | |
| 6 | 17411041 | 1 | Brass Pipe D32 | | | |
| 7 | 13211037 | 1 | Pipe 30-40-85 | | | |
| 8 | 17411023 | 1 | Brass Pipe D32 | | | |
| 9 | 13611038 | 2 | Pipe 30-40-75 | | | |
| 10 | 17421035 | 1 | Gasket,Exhaust Manifold | | | |
| 11 | 17411000DNVR | 1 | Water Cooler Assy (R) | | | |
| 12 | 51125008 | 4 | Nut Exhaust | | | |
| 13 | 14711008 | 4 | Stud,cover | | | |
| 14 | 52102258 | 4 | Bolt DIN 933 M8-25 8.8 | | | |
| 15 | 54082040 | 4 | Clamp DIN 3017 40-60/12 W4 | | | |
| 16 | 17411013 | 1 | Thermostat Water Outlet Elbow | | | |
| 17 | 54081032 | 8 | Clamp DIN 3017 35-50/9 W4 | | | |
| 18 | 17411024 | 1 | Pipe,from cooler to engine D38 e2 | | | |
| 19 | 59071383 | 1 | Clamp TYP.1 38/15 W1 | | | |
| 20 | 52103156 | 1 | Bolt DIN 912 M6-16 8.8 | | | |
| 21 | 15211026 | 1 | Elbow,rubber | | | |
| 22 | 13811035 | 1 | Bolt,bleed | | | |
| 23 | 56000053 | 2 | Washer 6-10-1,5 | | | |
| 24 | 52102308 | 1 | Bolt DIN 933 M10-25 8.8 | | | |
| 25 | 53033010 | 1 | Washer GROWER DIN 127-10 | | | |
| 26 | 15217010 | 1 | Bracket,wirings | | | |
| 27 | 52102157 | 1 | Bolt DIN 933 M6-20 8.8 | | | |
| 28 | 59071304 | 1 | Clamp RSGU 1 30/15 W1 | | | |
| 29 | 54120006 | 2 | Nut DIN 934 M6 INOX | | | |
| 30 | 17A10036 | 1 | Stud M8-M6 | | | |
| 31 | 17A11014 | 1 | Bracket | | | |



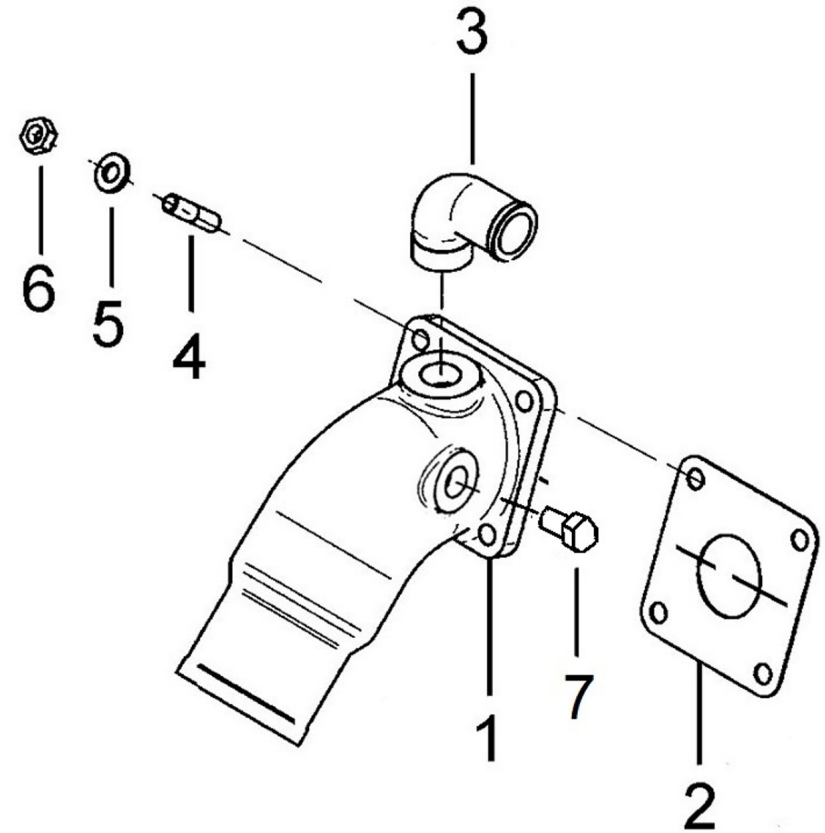
D 17411000DNVR Water Cooler Assy MINI-74 TAC (R)

| Fig. | Ref. | Qty. | Descr. | Obs | From | UpTo |
|------|--------------|------|---------------------------------------|-----|------|------|
| 1 | 17811001DNV | 1 | Body, DNV Water Cooler | | | |
| 2 | 18011004 | 1 | Tubular Bundle | | | |
| 3 | 18011008 | 2 | O-Ring D. 72X3 | | | |
| 4 | 17411003 | 1 | Water Cooler Cover | | | |
| 5 | 16511007 | 4 | Stud | | | |
| 6 | 51030010 | 4 | Washer DIN 125-10 | | | |
| 7 | 53033010 | 4 | Washer GROWER DIN 127-10 | | | |
| 8 | 52120010 | 4 | Nut DIN 934 M10 8.8 | | | |
| 9 | 56000205 | 1 | Washer 10-16-3 | | | |
| 10 | 54102306 | 1 | Bolt DIN 933 M10-16 INOX. | | | |
| 11 | 56000073 | 2 | Copper Washer 16-23-1,5 | | | |
| 12 | 12111076 | 1 | Plug | | | |
| 13 | 18011002 | 1 | Water Cooler Cover | | | |
| 14 | 18011031 | 1 | Engine Anode 45 mm M.8 | | | |
| 15 | 18011009 | 1 | Anode Plug | | | |
| 16 | 12113092 | 1 | Plug | | | |
| 17 | 13811010 | 1 | Cap | | | |
| 18 | 17111011 | 1 | Elbow 1 1/8" | | | |
| 19 | 16513002 | 1 | Exhaust Elbow Gasket | | | |
| 20 | 14711008 | 4 | Stud,cover | | | |
| 21 | 51125008 | 8 | Nut Exhaust | | | |
| 22 | 52102258 | 4 | Bolt DIN 933 M8-25 8.8 | | | |
| 23 | 53038008 | 4 | Washer DIN 6798-A 8 | | | |
| 24 | 56000077 | 1 | Washer 18-23-1,5 | | | |
| 25 | 19411027 | 1 | Plug | | | |
| 26 | 19613016 | 4 | Turbo Stud M8-M10 | | | |
| 27 | 14711021 | 1 | Elbow N°1 | | | |
| 28 | 14711030 | 1 | Brass Elbow Connector | | | |
| NS | 17411040 | 1 | Label MINI-74 | | | |
| NS | ETIQUETA0035 | 1 | Engine Vinyl Solé Advance 17,5x6,2 cm | | | |



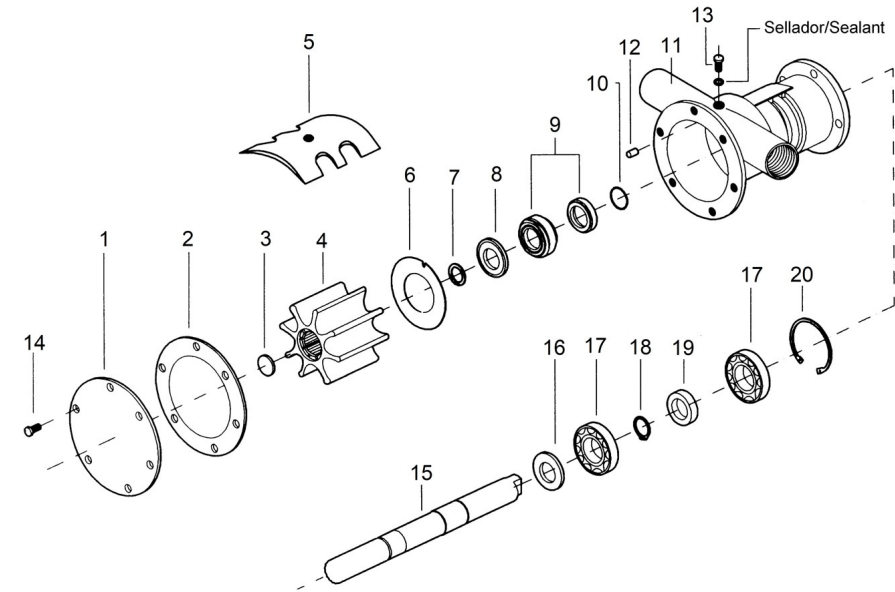
D MI74GSTDN 03 4 Wet Exhaust

| Fig. | Ref. | Qty. | Descr. | Obs | From | UpTo |
|------|----------|------|--------------------------------|-----|------------|------|
| 1 | 16613015 | 1 | Elbow, wet exhaust | | | |
| 2 | 16513002 | 1 | Exhaust Elbow Gasket | | | |
| 3 | 14711021 | 1 | Elbow N°1 | | | |
| 4 | 19613016 | 4 | Turbo Stud M8-M10 | | | |
| 5 | 53033008 | 4 | Washer GROWER DIN 127-8 | | | |
| 6 | 54120008 | 4 | Nut DIN 934 M8 | | | |
| 7 | 55102405 | 1 | Bolt DIN 933 M14-1,50-12 Brass | | 06/05/2024 | |



36511000 Cross Brace Pump from 74 to 616

| Fig. | Ref. | Qty. | Descr. | Obs | From | UpTo |
|------|----------|------|-------------------------|-----|------|------|
| 1 | 34711002 | 1 | Cover Pump | | | |
| 2 | 34711003 | 1 | Gasket Cover | | | |
| 3 | 34711041 | 1 | Impeller Plug | | | |
| 4 | 34711008 | 1 | 1" Impeller | | | |
| 5 | 34711005 | 1 | Cam | | | |
| 6 | 34711026 | 1 | Plate,Friction | | | |
| 7 | 54040016 | 1 | CIRclip E-16 | | | |
| 8 | 36511018 | 1 | Washer,seal | | | |
| 9 | 36511019 | 1 | Seal | | | |
| 10 | 33311013 | 1 | O-Ring D. 15X2 | | | |
| 11 | 36511001 | 1 | Body,water pump | | | |
| 12 | 36511017 | 1 | Pin,Dowel | | | |
| 13 | 54108154 | 1 | Bolt DIN 84 M6-10 | | | |
| 14 | 54102154 | 6 | Bolt DIN 933 M6-10 INOX | | | |
| 15 | 36511010 | 1 | Shaft,pump | | | |
| 16 | 36511015 | 1 | Spacer 17X24X7 | | | |
| 17 | 33311014 | 2 | Ball Bearing 6203 | | | |
| 18 | 53040017 | 1 | Circlip DIN 471 E-17 | | | |
| 19 | 36511020 | 1 | Seal 16-30-7 | | | |
| 20 | 53041040 | 1 | Circlip DIN 472 I-40 | | | |



D MI74GSTDN 04 1 Fuel Pipe And Fuel Leak Alarm

| Fig. | Ref. | Qty. | Descr. | Obs | From | UpTo |
|------|-------------|------|--|-----|------------|------------|
| 0A | 17425001G | 1 | Pump Assy,Injection (Generator) | | | 21/09/2016 |
| 0B | 17425001G.3 | 1 | Pump Assy,Injection (Generator) | | 22/09/2016 | |
| 1 | 13824013 | 4 | Injector Washer | | | |
| 2 | 17424025G.1 | 4 | Gasket Fuel Return (Genset) | | | |
| 3 | 13824024 | 4 | Nut | | | |
| 4 | 17420047 | 1 | O-Ring D. 140X2 | | | |
| 5 | 17425005 | 1 | Flange,INJ.Pump | | | |
| 6 | 17425028 | 1 | Gasket | | | |
| 7 | 17721012 | 1 | Bolt,W/Washer | | | |
| 8 | 17425029 | 4 | Bolt,W/Washer | | | |
| 9 | 17414010 | 1 | Joint Fuel inlet | | | |
| 10 | 56000205 | 1 | Washer 10-16-3 | | | |
| 11 | 17414011 | 1 | Racord | | | |
| 12 | 17424025G.2 | 1 | Bolt | | | |
| 13 | 17424032 | 1 | Connector | | | |
| 14 | 17424033 | 1 | Pipe,Oil | | | |
| 15 | 17424034 | 1 | Bracket,INJ.Pump | | | |
| 16 | 53033008 | 1 | Washer GROWER DIN 127-8 | | | |
| 17 | 17120049 | 1 | Nut M8 | | | |
| 18 | 17424005 | 1 | Pipe,Fuel | | | |
| 19 | 17425036 | 1 | Bolt,Flange | | | |
| 20 | 17424010R | 1 | Pipe Kits | | | |
| 21 | 51030012 | 2 | Washer DIN 125-12 | | | |
| 22 | 52102157 | 4 | Bolt DIN 933 M6-20 8.8 | | | |
| 23 | 53033006 | 7 | Washer GROWER DIN 127-6 | | | |
| 24 | 51031006 | 3 | Washer DIN 9021 6 | | | |
| 25 | 17A17011 | 6 | Bakelite Bushing | | | |
| 26 | 17A17009 | 1 | Fuel Leak Alarm Bracket,Earth Isolated | | | |
| 27 | 52102360 | 2 | Bolt DIN 933 M12-35 8.8 | | | |
| 28 | 17414009 | 3 | Anti Vibration Mount | | | |
| 29 | 17517009.6 | 1 | Alarm Bracket | | | |

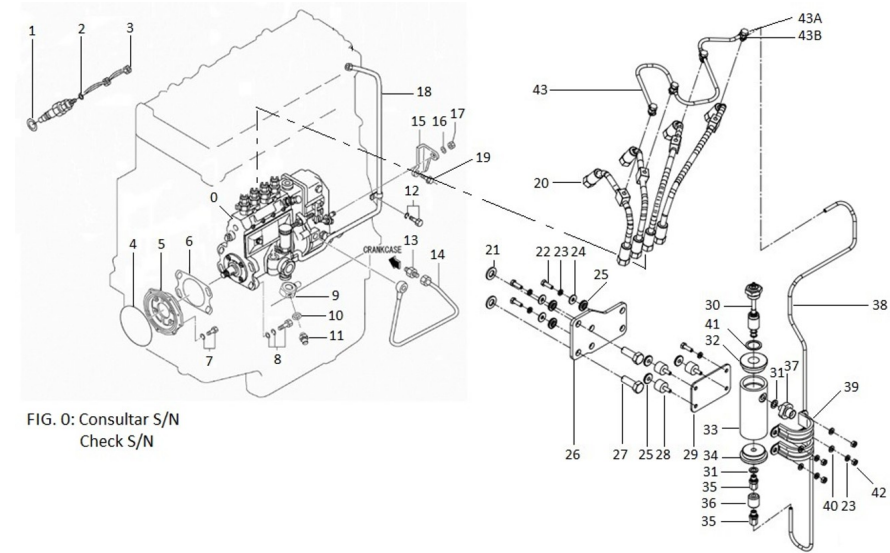


FIG. 0: Consultar S/N
Check S/N

D MI74GSTDN 04 1 Fuel Pipe And Fuel Leak Alarm

| Fig. | Ref. | Qty. | Descr. | Obs | From | UpTo |
|------------------------------|------------|------|------------------------------|-----|------|------|
| 30A | 17517009.1 | 1 | Fuel Leak Switch 12V | | | |
| Figure A for Standard System | | | | | | |
| 30B | 17517017.1 | 1 | Fuel Leak Switch 24V | | | |
| Figure b for Parallel System | | | | | | |
| 31 | 56000061 | 2 | Washer 10-16-1,5 | | | |
| 32 | 17517009.3 | 1 | Cover, Upper | | | |
| 33 | 17517009.2 | 1 | Tube | | | |
| 34 | 17517009.4 | 1 | Lower cover | | | |
| 35 | 19414028 | 3 | P-GEV 6LR 1/8 | | | |
| 36 | 17A14029 | 1 | 1/8-28 To M10 Threat Adaptor | | | |
| 37 | 17B14032 | 1 | Fitting 1/8 - 3/8 Nylon | | | |
| 38 | 17414020 | 1 | Fuel Pipe | | | |
| 39 | 59072482 | 2 | Clamp 2 48/20 W1 | | | |
| 40 | 51030006 | 5 | Washer DIN 125-6 | | | |
| 41 | 56000086 | 1 | Washer 22,3-29-1,5 | | | |
| 42 | 52120006 | 4 | Nut DIN 934 M6 8.8 | | | |
| 43 | 17414019 | 1 | Assy,Fuel Return | | | |
| 43A | 13114007 | 4 | Banjo Short Bolt | | | |
| 43B | 56000057 | 8 | Washer 8-13-1,5 | | | |
| NS | 19424101 | 1 | Spray stop kit | | | |
| NS | 58018160 | 1 | Screw | | | |
| NS | 59071064 | 2 | Clamp RSGU 1 06/15 W1 | | | |

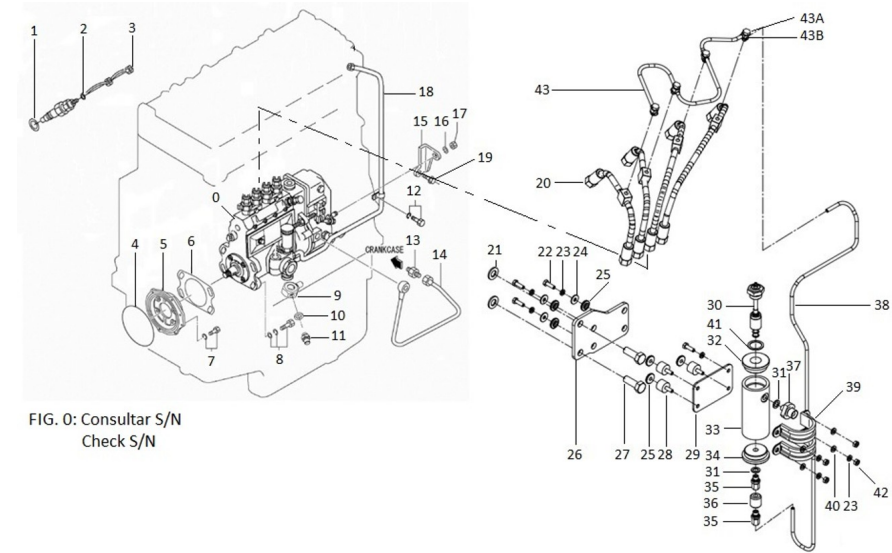


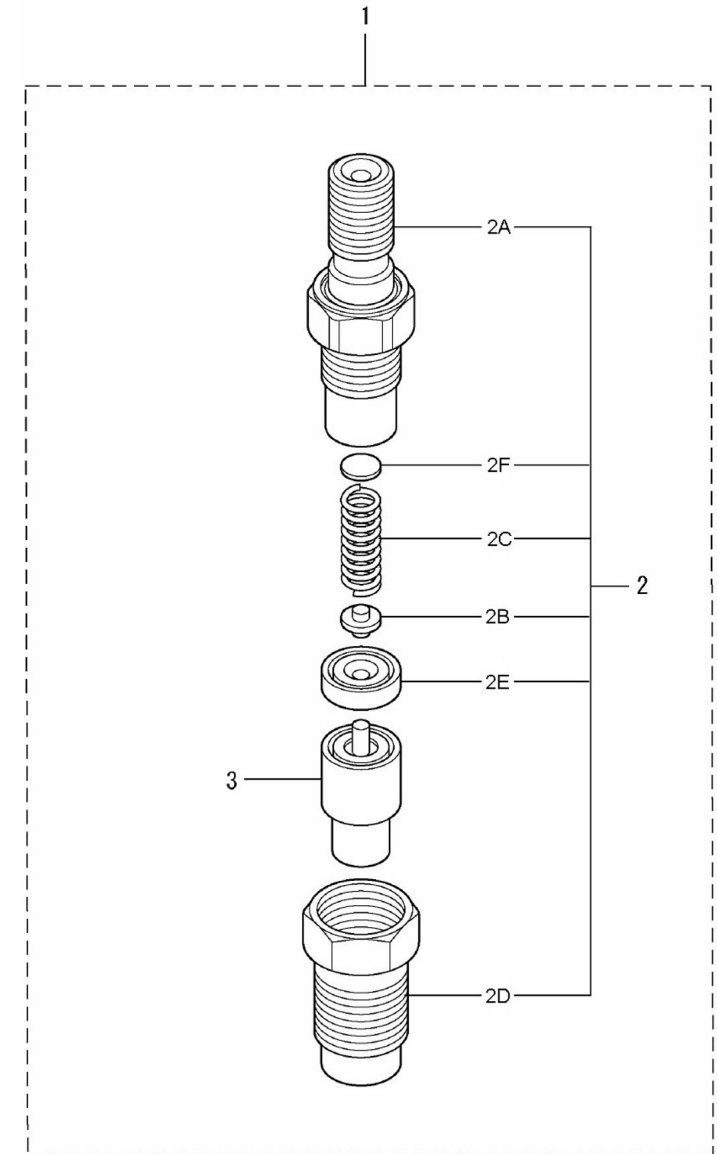
FIG. 0: Consultar S/N
Check S/N

Genset 35 GT/GTC & 40 GTA/GTAC TAC

Fuel System

D GG04 4 2 Injection Nozzle

| Fig. | Ref. | Qty. | Descr. | Obs | From | UpTo |
|------|----------|------|-------------------|-----|------|------|
| 1 | 13826001 | 4 | Nozzle & Holder A | | | |
| 2 | 17426003 | 4 | Fuel Injector | | | |
| 2A | 13826002 | 4 | Body Assy | | | |
| 2B | 13826003 | 4 | Pin Pressure | | | |
| 2C | 17226004 | 4 | Spring, Pressure | | | |
| 2D | 17426006 | 4 | Nut | | | |
| 2E | 13826007 | 4 | PIECE DISTANCE | | | |
| 2FA | 13826010 | 4 | Washer 1,25 | | | |
| 2FB | 13821029 | 4 | Pipe Intake | | | |
| 2FC | 13826012 | 4 | Washer 1,35 | | | |
| 2FD | 13826013 | 4 | Washer 1,40 | | | |
| 2FE | 13826014 | 4 | Washer 1,45 | | | |
| 2FF | 13826015 | 4 | Washer 1,50 | | | |
| 2FG | 13826016 | 4 | Washer 1,55 | | | |
| 2FH | 13826017 | 4 | Washer 1,60 | | | |
| 2FI | 13826019 | 4 | Washer 1,65 | | | |
| 2FJ | 13826020 | 4 | Washer 1,70 | | | |
| 3 | 13826018 | 4 | Nozzle Assy | | | |

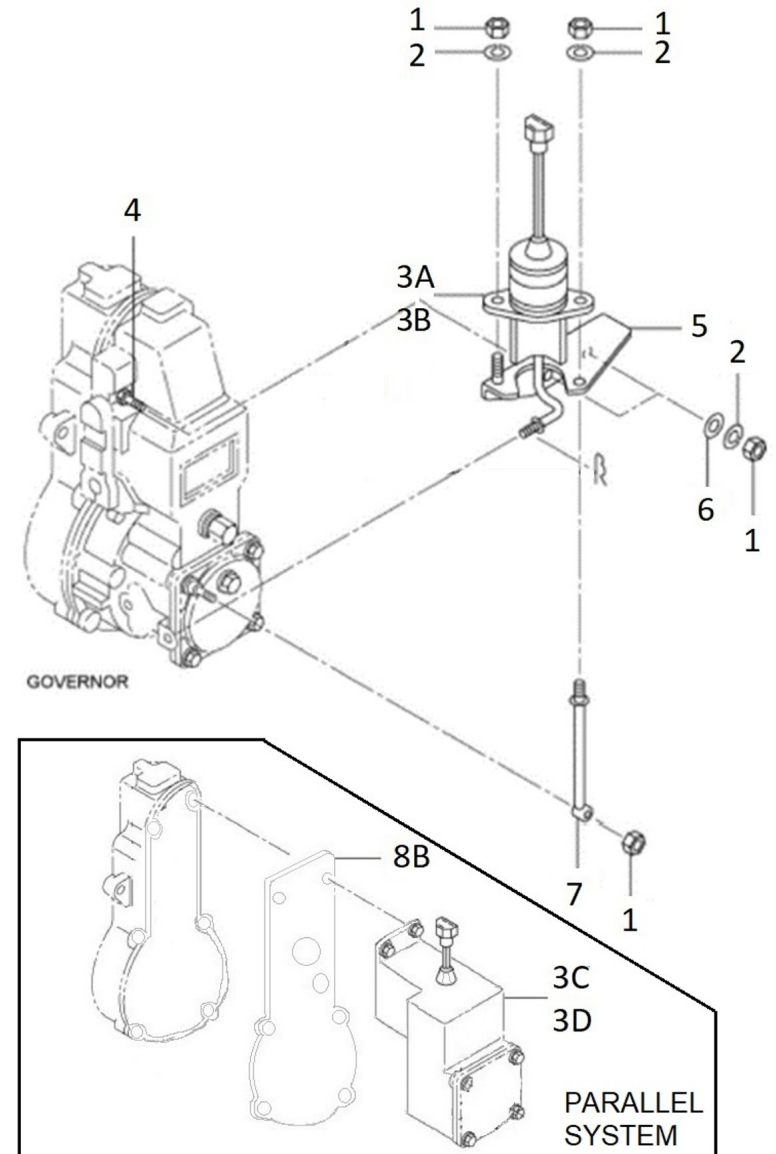


Genset 35 GT/GTC & 40 GTA/GTAC TAC

Fuel System

D MI74GSTDN 04 3 Governor Parts

| Fig. | Ref. | Qty. | Descr. | Obs | From | UpTo |
|----------------------------------|------------|------|--|-----|------|------|
| 1 | 17223032 | 5 | Nut | | | |
| 2 | 53033006 | 4 | Washer GROWER DIN 127-6 | | | |
| 3A | 17424025G | 1 | Solenoid | | | |
| Figure A for 12V System | | | | | | |
| 3B | 17425264.2 | 1 | Solenoid 24V | | | |
| Figure b for 24V System | | | | | | |
| 3C | 60972516 | 1 | G.A.C 175 Series 12V Integrated Actuator | | | |
| Figure C for Parallel System 12V | | | | | | |
| 3D | 60972520 | 1 | G.A.C. 175 Series 24V Integrated Actuat. | | | |
| Figure D for Parallel System 24V | | | | | | |
| 4 | 17427003G | 2 | Rod,Solenoid | | | |
| 5 | 17427005G | 1 | Bracket | | | |
| 6 | 51030006 | 2 | Washer DIN 125-6 | | | |
| 7 | 17427006G | 1 | ROD,Support | | | |
| 8B | 60972518 | 1 | Assembly kit for 175 series actuator | | | |
| Figure b for Parallel System | | | | | | |




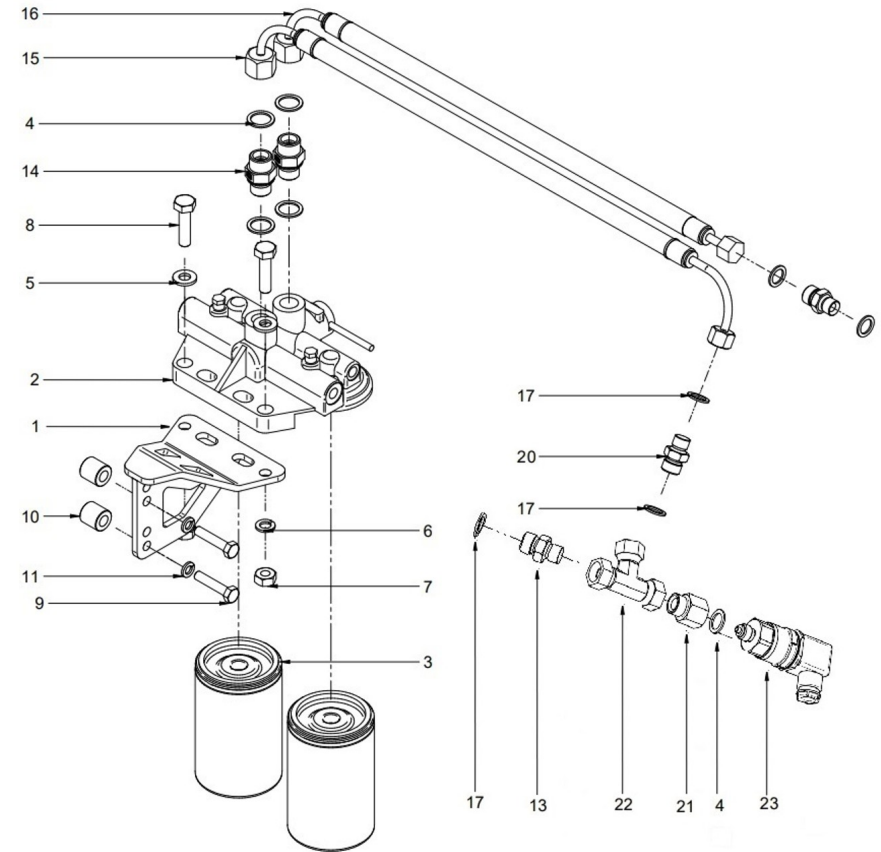
Genset 35 GT/GTC & 40 GTA/GTAC TAC

Fuel System

D 17414000DNV

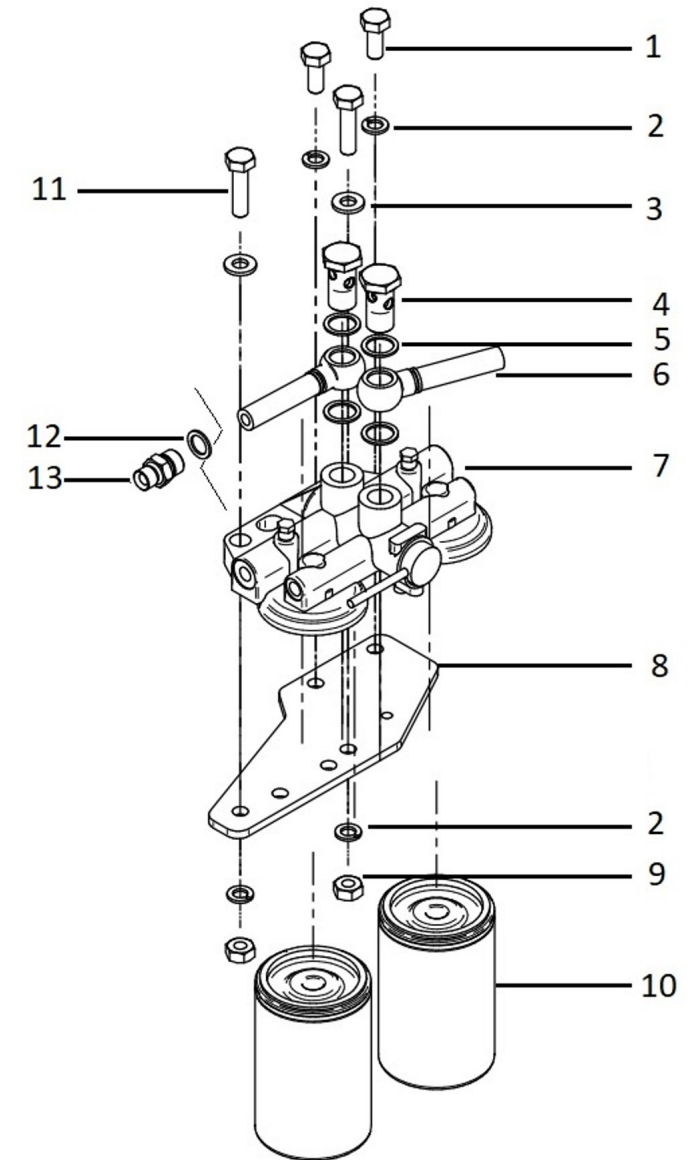
Kit 2nd Fuel Filter (Without Cabin) TAC

| Fig. | Ref. | Qty. | Descr. | Obs | From | UpTo |
|------|----------|------|---------------------------------------|---|------------|------|
| 1 | 17414003 | 1 | Bracket 2nd Filter | | | |
| 2 | 17414002 | 1 | Bracket | | | |
| 3 | 19424022 | 2 | Fuel Filter Element SDZ-165/205/280 | | | |
| 4 | 57000378 | 4 | Washer 18-24-1,5 | | | |
| 5 | 51030010 | 4 | Washer DIN 125-10 | | | |
| 6 | 53033010 | 4 | Washer GROWER DIN 127-10 | | | |
| 7 | 52120010 | 2 | Nut DIN 934 M10 8.8 | | | |
| 8 | 52101312 | 2 | Bolt DIN 931 M10-45 8.8 | | | |
| 9 | 52101261 | 2 | Bolt DIN 931 M8-40 8.8 | | | |
| 10 | 19117014 | 2 | Spacer 10,5X20X20 | | | |
| 11 | 53033008 | 2 | Washer GROWER DIN 127-8 | | | |
| 13 | 19414024 | 2 | Fitting Adapter Male 3/8" to M14x1.5 | | | |
| 14 | 19414039 | 1 | Racor Fitting Male M18x150-M20x150 | | | |
| 15 | 17A14004 | 1 | Fuel Hose DNV | | | |
| 16 | 17A14005 | 1 | Fuel Hose DNV | | | |
| 17 | 56000069 | 4 | Washer 14-20-1,5 | | | |
| 20 | 10312013 | 1 | FITTING 3/8 | | 01/01/2025 | |
| 21 | 17A17038 | 1 | Conversion Adapter G3/8 A G1/4 | | 01/01/2025 | |
| 22 | 19414042 | 1 | Female Racord Fitting G 3/8 | | 01/01/2025 | |
| 23 | 60994076 | 1 | Marine Approved Pressure Transmitters | | 01/01/2025 | |
| NS | 52102308 | 2 | Bolt DIN 933 M10-25 8.8 |  | | |



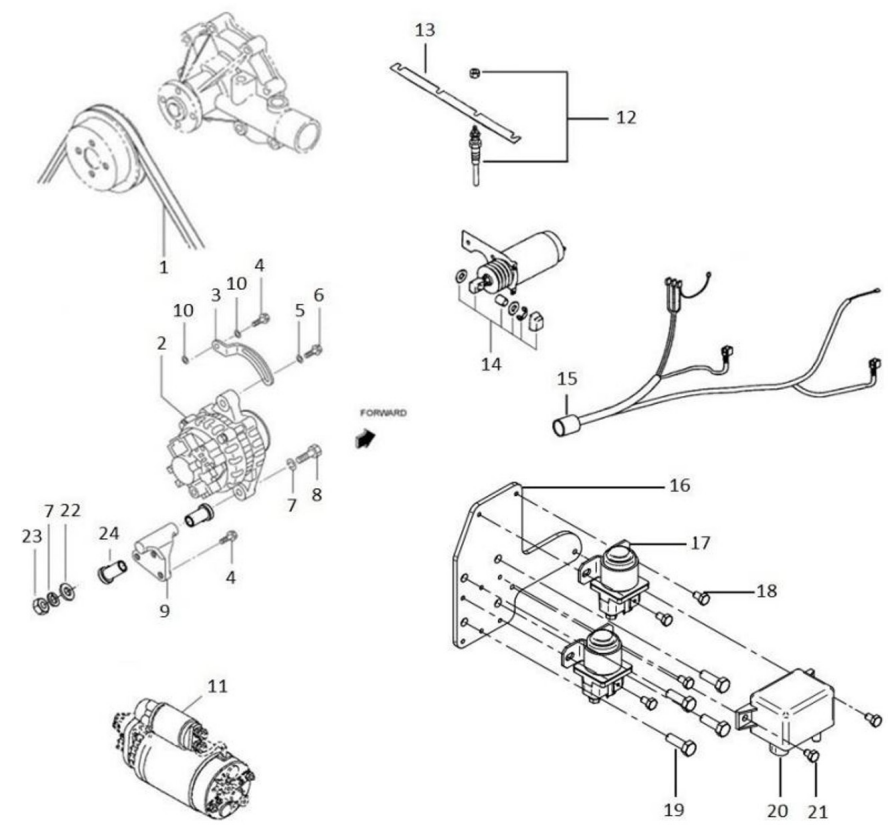
D 17414000IDNV Kit 2nd Fuel Filter (Cabin)

| Fig. | Ref. | Qty. | Descr. | Obs | From | UpTo |
|------|-----------|------|--------------------------------------|-----|------|------|
| 1 | 52102308 | 2 | Bolt DIN 933 M10-25 8.8 | | | |
| 2 | 53033010 | 4 | Washer GROWER DIN 127-10 | | | |
| 3 | 51030010 | 2 | Washer DIN 125-10 | | | |
| 4 | 19414039 | 2 | Racor Fitting Male M18x150-M20x150 | | | |
| 5 | 57000378 | 2 | Washer 18-24-1,5 | | | |
| 6 | 17A14004 | 2 | Fuel Hose DNV | | | |
| 7 | 17414002 | 1 | Bracket | | | |
| 8 | 17414003I | 1 | Bracket 2nd Filter | | | |
| 9 | 52120010 | 2 | Nut DIN 934 M10 8.8 | | | |
| 10 | 19424022 | 2 | Fuel Filter Element SDZ-165/205/280 | | | |
| 11 | 52101311 | 2 | Bolt DIN 931 M10-40 8.8 | | | |
| 12 | 56000069 | 2 | Washer 14-20-1,5 | | | |
| 13 | 19414024 | 2 | Fitting Adapter Male 3/8" to M14x1.5 | | | |



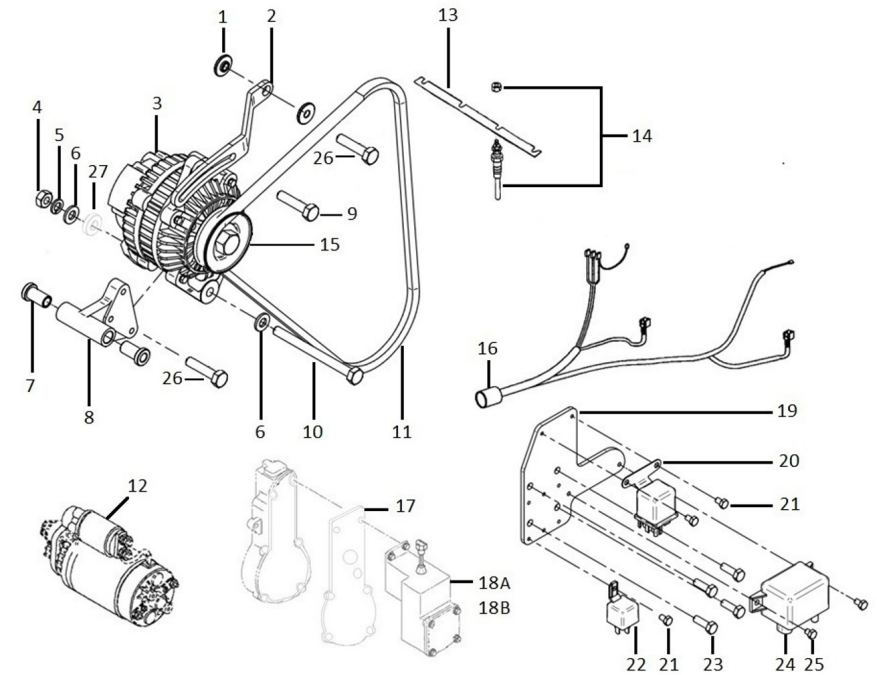
D MI74GSTDN 05 1 Electrical System 12V

| Fig. | Ref. | Qty. | Descr. | Obs | From | UpTo |
|------------------------------|-------------|------|--|-----|------|------|
| 1 | 17430010 | 1 | Belt | | | |
| 2 | 17427011G | 1 | Alternator 12V/50A | | | |
| 3 | 17427007G.2 | 1 | Plate, Adjusting Generator - 2-PoleS | | | |
| 4 | 17425036 | 2 | Bolt, Flange | | | |
| 5 | 17331008 | 1 | Washer | | | |
| 6 | 13827012 | 1 | Bolt | | | |
| 7 | 53033010 | 2 | Washer GROWER DIN 127-10 | | | |
| 8 | 52101325 | 1 | Bolt DIN 931 M10-120 8.8 | | | |
| 9 | 17427002G.1 | 1 | Alternator Bracket, Earth Isolated | | | |
| 10 | 17117012 | 2 | Tensor Bakelite Bushing | | | |
| 11 | 17427001G | 1 | Starter Assy 12 V | | | |
| 12 | 17127017 | 4 | Plug, glow | | | |
| 13 | 17427018 | 1 | Plate Glow Plug | | | |
| 14A | 17424025G | 1 | Solenoid | | | |
| Figure A for Standard System | | | | | | |
| 14B | 60972516 | 1 | G.A.C 175 Series 12V Integrated Actuator | | | |
| Figure b for Parallel System | | | | | | |
| 15A | 60974217 | 1 | Elect. Inst. G. MINI-74 DNV | | | |
| Figure A for Standard System | | | | | | |
| 15B | 60974216 | 1 | Elect. Inst. G. MINI-74 DNV Prep. Paral. | | | |
| Figure b for Parallel System | | | | | | |
| 16 | 17417033 | 1 | Support, Relay | | | |
| 17 | 17527005 | 2 | Relay 12V 200A | | | |
| 18 | 52102154 | 4 | Bolt DIN 933 M6-10 8.8 | | | |
| 19 | 52102258 | 4 | Bolt DIN 933 M8-25 8.8 | | | |
| 20 | 19017113 | 1 | Relay 12V Earth Isolated Nagares | | | |
| 21 | 52102153 | 2 | Bolt DIN 933 M6-8 8.8 | | | |
| 22 | 51030010 | 2 | Washer DIN 125-10 | | | |
| 23 | 52120010 | 1 | Nut DIN 934 M10 8.8 | | | |
| 24 | 17117011 | 2 | Bracket Bakelite Bushing | | | |
| NS | 60900956 | 1 | 10k ohm Resistor | | | |



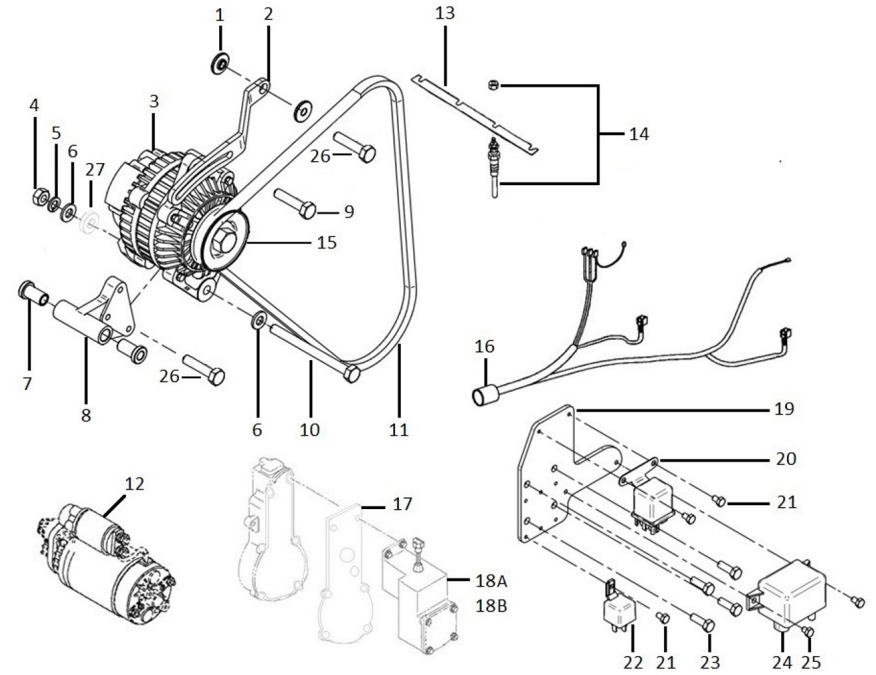
D MI74GSTDN 05 2 Electrical System 24V

| Fig. | Ref. | Qty. | Descr. | Obs | From | UpTo |
|------|------------------------------|------|--|-----|------|------|
| 1 | 17117012 | 2 | Tensor Bakelite Bushing | | | |
| 2 | 17427007G.2 | 1 | Plate, Adjusting Generator - 2-PoleS | | | |
| 3 | 17417024 | 1 | Alternator 28V/55A | | | |
| 4 | 52120010 | 1 | Nut DIN 934 M10 8.8 | | | |
| 5 | 53033010 | 1 | Washer GROWER DIN 127-10 | | | |
| 6 | 51030010 | 2 | Washer DIN 125-10 | | | |
| 7 | 17117011 | 2 | Bracket Bakelite Bushing | | | |
| 8 | 17427002G.1 | 1 | Alternator Bracket, Earth Isolated | | | |
| 9 | 13827012 | 1 | Bolt | | | |
| 10 | 52101325 | 1 | Bolt DIN 931 M10-120 8.8 | | | |
| 11 | 17430010 | 1 | Belt | | | |
| 12 | 17527001.2 | 1 | Starter Assy 24V | | | |
| 13 | 17427018 | 1 | Plate Glow Plug | | | |
| 14 | 17527017.2 | 4 | Glow Plug 24V | | | |
| 15 | 17417020 | 1 | Pulley Alternator | | | |
| 16A | 60974217 | 1 | Elect. Inst. G. MINI-74 DNV | | | |
| | Figure A for Standard System | | | | | |
| 16B | 60974216 | 1 | Elect. Inst. G. MINI-74 DNV Prep. Paral. | | | |
| | Figure b for Parallel System | | | | | |
| 17 | 60972518 | 1 | Assembly kit for 175 series actuator | | | |
| 18A | 17425264.2 | 1 | Solenoid 24V | | | |
| | Figure A for Standard System | | | | | |
| 18B | 60972520 | 1 | G.A.C. 175 Series 24V Integrated Actuat. | | | |
| | Figure b for Parallel System | | | | | |
| 19 | 17417033 | 1 | Support, Relay | | | |
| 20 | 17527006 | 1 | Glow Relay 24V | | | |
| 21 | 52102154 | 3 | Bolt DIN 933 M6-10 8.8 | | | |
| 22 | 17417005 | 1 | Relay 24V 24-100 | | | |
| 23 | 52102258 | 1 | Bolt DIN 933 M8-25 8.8 | | | |
| 24 | 19017113 | 1 | Relay 12V Earth Isolated Nagares | | | |
| 25 | 52102153 | 2 | Bolt DIN 933 M6-8 8.8 | | | |



D MI74GSTDN 05 2 Electrical System 24V




| Fig. | Ref. | Qty. | Descr. | Obs | From | UpTo |
|------|----------|------|------------------|---|------|------|
| 26 | 17425036 | 2 | Bolt,Flange | | | |
| 27 | 17617006 | 1 | Spacer 6,5X12X5 | | | |
| NS | 60900956 | 1 | 10k ohm Resistor |  | | |

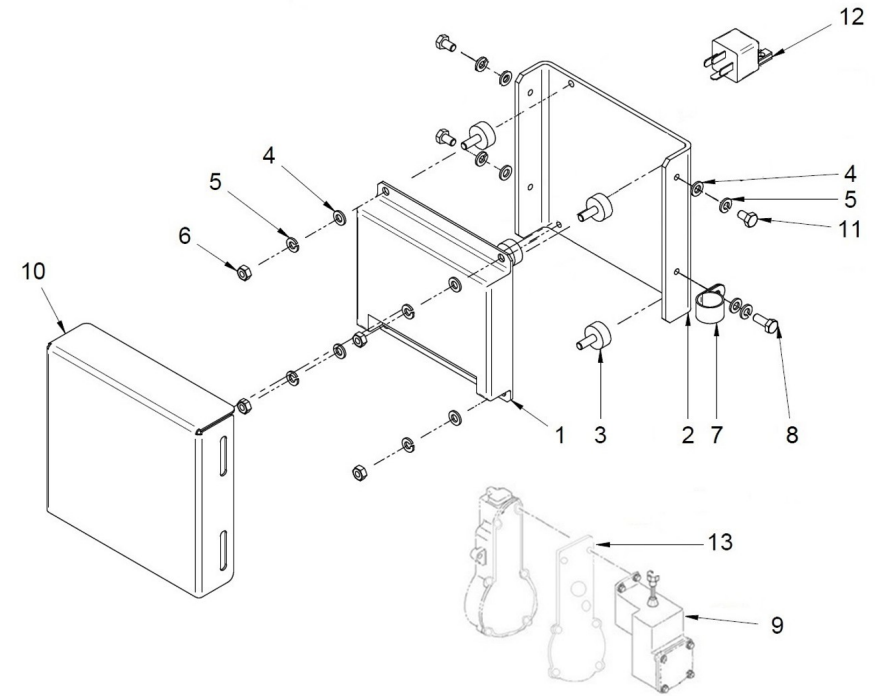


Genset 35 GT/GTC & 40 GTA/GTAC TAC

Electrical System

D 60971606 Parallel Control System 12V






| Fig. | Ref. | Qty. | Descr. | Obs | From | UpTo |
|------|-------------|------|--|---|------------|------------|
| 1 | 60972521 | 1 | Speed Control Unit G.A.C. ESD-5500 Ser. | | | |
| 2 | 17317007 | 1 | Electronic Unit Bracket | | | |
| 3 | 17A14009 | 4 | Anti Vibration Mount M6 | | | |
| 4 | 51030006 | 8 | Washer DIN 125-6 | | | |
| 5 | 53033006 | 8 | Washer GROWER DIN 127-6 | | | |
| 6 | 52120006 | 4 | Nut DIN 934 M6 8.8 | | | |
| 7 | 59071224 | 1 | Clamp RSGU 1 22/15 W1 | | | 15/11/2023 |
| 7 | 59071324 | 1 | Clamp RSGU 1 32/15 W1 | | 15/11/2023 | |
| 8 | 52102156 | 1 | Bolt DIN 933 M6-16 8.8 | | | |
| 9 | 60972516 | 1 | G.A.C 175 Series 12V Integrated Actuator | | | |
| 10 | 17317008 | 1 | Parallel electronic unit cover | | | |
| 11 | 52102154 | 3 | Bolt DIN 933 M6-10 8.8 | | | |
| 12 | 63900028 | 1 | Relay 12V 40/15A NO+NC with Diode | | | |
| 13 | 60972518 | 1 | Assembly kit for 175 series actuator | | | |
| NS | 58088284 | 1 | Pastic Cable Zip Tie |  | | |
| NS | 60972517 | 1 | Connector for actuator Packard type |  | | |
| NS | 60974223DNV | 1 | Auxiliary Installation Parallel TAC Genset |  | | |

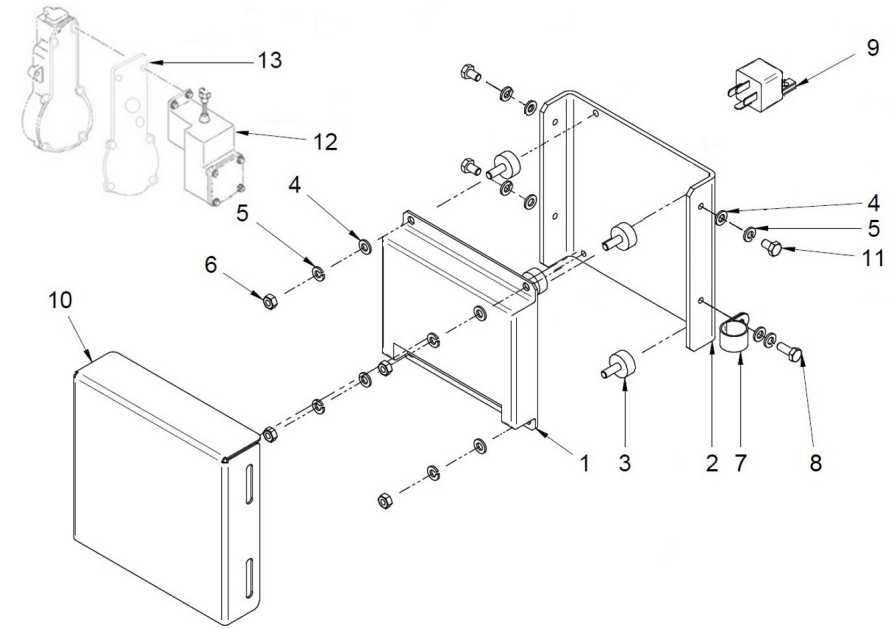


Genset 35 GT/GTC & 40 GTA/GTAC TAC

Electrical System

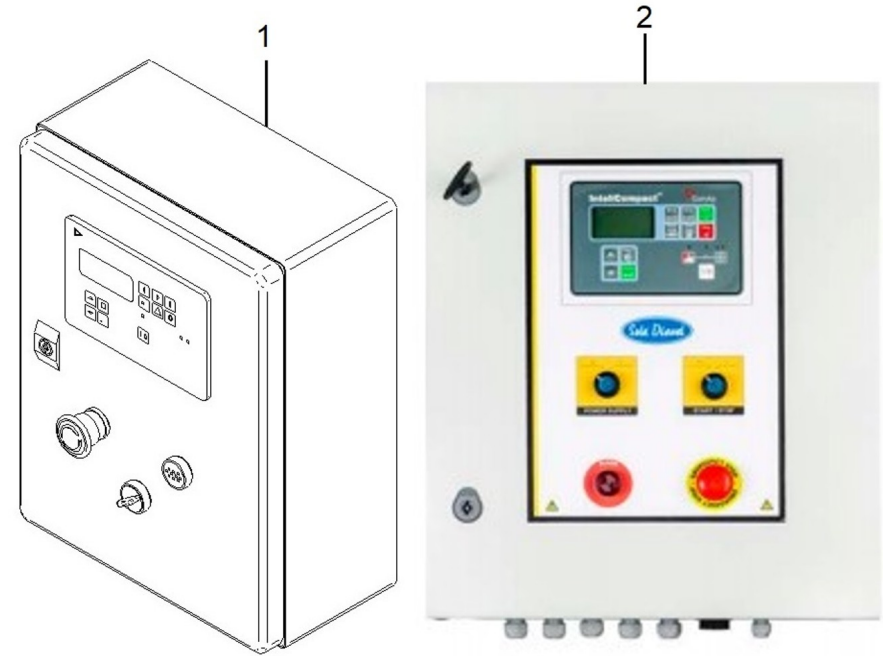
D 60971532 Parallel Control System 24V

| Fig. | Ref. | Qty. | Descr. | Obs | From | UpTo |
|------|--------------|------|--|---|------------|------------|
| 1 | 60972521 | 1 | Speed Control Unit G.A.C. ESD-5500 Ser. | | | |
| 2 | 17317007 | 1 | Electronic Unit Bracket | | | |
| 3 | 17A14009 | 4 | Anti Vibration Mount M6 | | | |
| 4 | 51030006 | 8 | Washer DIN 125-6 | | | |
| 5 | 53033006 | 8 | Washer GROWER DIN 127-6 | | | |
| 6 | 52120006 | 4 | Nut DIN 934 M6 8.8 | | | |
| 7 | 59071224 | 1 | Clamp RSGU 1 22/15 W1 | | | 15/11/2023 |
| 7 | 59071324 | 1 | Clamp RSGU 1 32/15 W1 | | 15/11/2023 | |
| 8 | 52102156 | 1 | Bolt DIN 933 M6-16 8.8 | | | |
| 9 | 63900029 | 1 | Relay 24V 22/10A NO+NC with Diode | | | |
| 10 | 17317008 | 1 | Parallel electronic unit cover | | | |
| 11 | 52102154 | 3 | Bolt DIN 933 M6-10 8.8 | | | |
| 12 | 60972520 | 1 | G.A.C. 175 Series 24V Integrated Actuat. | | | |
| 13 | 60972518 | 1 | Assembly kit for 175 series actuator | | | |
| NS | 17420007G.3M | 1 | Flyweel Housing Pickup |  | | |
| NS | 17420025 | 1 | Gasket,Rear |  | | |
| NS | 60972517 | 1 | Connector for actuator Packard type |  | | |
| NS | 60972519 | 2 | Magnetic Speed Sensor |  | | |
| NS | 60974223DNV | 1 | Auxiliary Installation Parallel TAC Genset |  | | |



D MI74GSTDN 05 4 Control and Power Cabinets

| <i>Fig.</i> | <i>Ref.</i> | <i>Qty.</i> | <i>Descr.</i> | <i>Obs</i> | <i>From</i> | <i>UpTo</i> |
|-------------|-------------|-------------|--|------------|-------------|-------------|
| 1C | 6097A215 | 2 | Box CO 40 17/25/35/45/50/68 GT TAC 12V | | | |
| 1C | 6097A217 | 1 | Box CO 40 17/25/35/45/50/68 GT TAC 12V Prep.Par. | | | |
| 1D | 6097A219 | 1 | Box CO 40 17/25/35/45/50/68 GT TAC 24V Prep.Par. | | | |
| 1D | 6097A220 | 2 | Box CO 40 17/25/35/45/50/68 GT TAC 24V | | | |
| 2A | 60974719 | 1 | Parallel Kit 29 GS 230V TAC Control 12V | | | |
| 2B | 60971720 | 1 | Parallel Kit 29 GS 230V TAC Control 24V | | | |
| 2C | 60971725 | 1 | Parallel Kit 32 GSA 240V TAC Control 12V | | | |
| 2D | 60971726 | 1 | Parallel Kit 32 GSA 240V TAC Control 24V | | | |
| 2E | 60974727 | 1 | Parallel Kit 35 GT 230V TAC Control 12V | | | |
| 2F | 60974728 | 1 | Parallel Kit 35 GT 230V TAC Control 24V | | | |
| 2G | 60974729 | 1 | Parallel Kit 35 GT 400/230V TAC Control 12V | | | |
| 2H | 60974730 | 1 | Parallel Kit 35 GT 400/230V TAC Control 24V | | | |
| 2I | 60971732 | 1 | Parallel Kit 40 GTA 240V TAC Control 12V | | | |
| 2J | 60971731 | 1 | Parallel Kit 40 GTA 240V TAC Control 24V | | | |
| 2K | 60971733 | 1 | Parallel Kit 40 GTA 480/277V TAC Control 12V | | | |
| 2L | 60971734 | 1 | Parallel Kit 40 GTA 480/277V TAC Control 24V | | | |



D 1138T **Genset Extension TAC**

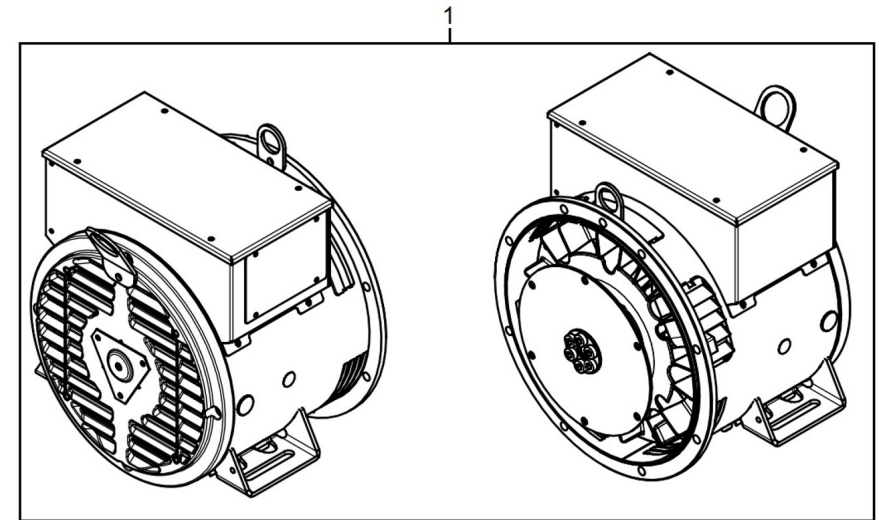
| <i>Fig.</i> | <i>Ref.</i> | <i>Qty.</i> | <i>Descr.</i> | <i>Obs</i> | <i>From</i> | <i>UpTo</i> |
|-------------|-------------|-------------|---|------------|-------------|-------------|
| 1A | 6097A216 | 1 | Wiring Extension Genset TAC 6 M. | | | |
| 1B | 6097A218 | 1 | Wiring Extension TAC Genset 12 M. CPC 37 V. | | | |
| 1C | 60974552 | 1 | 3-way Wiring Wxtension for Auxilliary Kits 4 m | | | |
| 1D | 60900165 | 1 | 3-way Wiring Extension for Auxilliary Kits 6 m | | | |
| 1F | 60900166 | 1 | 3-way Wiring Extension for Auxilliary Kits 12 m | | | |
| 1G | 60900167 | 1 | 3-way Wiring Extension for Auxilliary Kits 24 m | | | |
| 1H | 60972104 | 1 | Double Panel SCO 12 M. Harness | | | |
| 1I | 60972105 | 1 | Double Panel SCO 24 M. Harness | | | |
| 1J | 60972110 | 1 | Double Panel SCO 36 M. Harness | | | |
| 1K | 60974227.12 | 1 | AVR External Control Cable 12m. | | | |
| 1L | 60974228.12 | 1 | ECU External Control Cable 12m. | | | |
| 1M | 60974227.24 | 1 | AVR External Control Cable 24m. | | | |
| 1N | 60974228.24 | 1 | ECU External Control Cable 24m. | | | |



D MI74GTDN 06 1

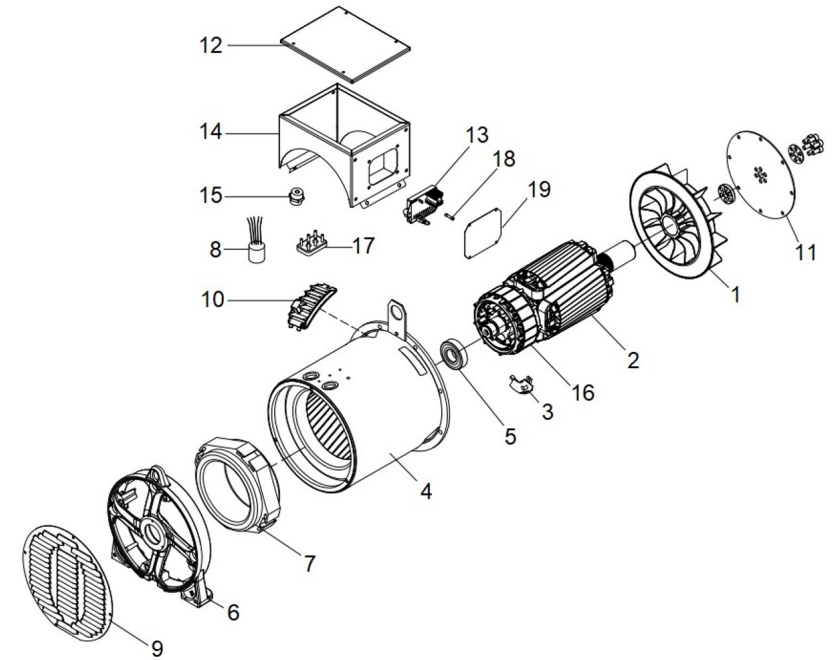
Alternator 35 GT/GTC & 40 GTA/GTAC

| Fig. | Ref. | Qty. | Descr. | Obs | From | UpTo |
|------|---------------|------|--|-----|------|------|
| 1A | 605113032Z0RC | 1 | SINCRO Alternator III 32KVA 1500RPM 400/230V Certifi | | | |
| 1B | 605113032Z1RC | 1 | SINCRO Alternator III 32KVA 1500RPM 230V Certificate | | | |
| 1C | 605123038Z3RC | 1 | SINCRO Alternator III 38,5KVA 1800RPM 240V Certifica | | | |
| 1D | 605123038Z2RC | 1 | SINCRO Alternator III 38,5KVA 1800RPM 400/230V Certi | | | |
| 1E | 605113032Z0RS | 1 | SINCRO Alternator III 32KVA 1500RPM 400/230V Certifi | | | |
| 1F | 605113032Z1RS | 1 | SINCRO Alternator III 32KVA 1500RPM 230V Certificate | | | |
| 1G | 605123038Z3RS | 1 | SINCRO Alternator III 38,5KVA 1800RPM 240V Certifica | | | |
| 1H | 605123038Z2RS | 1 | SINCRO Alternator III 38,5KVA 1800RPM 400/230V Certi | | | |



D MI74GTDN 06 2 Alternator Spare Parts


| Fig. | Ref. | Qty. | Descr. | Obs | From | UpTo |
|------|----------------|------|----------------------------|-----|------|------|
| 1 | 60511336S.11 | 1 | Fan SK160W- 4p | | | |
| 2 | (*) | 1 | Not available | | | |
| 3 | 60511336S.09 | 1 | Diode Bridge SK160W- | | | |
| 4 | (*1) | 1 | Not available | | | |
| 5 | 60511336S.08 | 1 | Bearing 6307 2RS/C3 | | | |
| 6 | 60574340S.11 | 1 | Rear Shield | | | |
| 7 | 60511336S.07 | 1 | Exciter Stator SK160W- | | | |
| 8 | 60574340S.12 | 1 | EMC Filter | | | |
| 9 | 605113032Z0R.1 | 1 | Rear Grid | | | |
| 10 | 60511336S.03 | 1 | IP23 Grid | | | |
| 11 | 60511336S.12 | 1 | Kit Disks 11,5" | | | |
| 12 | 60511336S.01 | 1 | Top Cover | | | |
| 13 | 60511107S.35.1 | 1 | Electronic Board AVR BL4 U | | | |
| 14 | 605113032Z0R.2 | 1 | Terminal Box | | | |
| 15 | 60511336S.02 | 1 | M8 Insulator Clamp | | | |
| 16 | 605113032Z0R.3 | 1 | Exciter Rotor SK160W- 4p | | | |
| 17 | 60511336S.04 | 1 | M8 Terminal Board | | | |
| 18 | 60511336S.05 | 1 | Fuse 5x20 3,15A F | | | |
| 19 | 60511336S.06 | 1 | Cover on Regulator Side | | | |

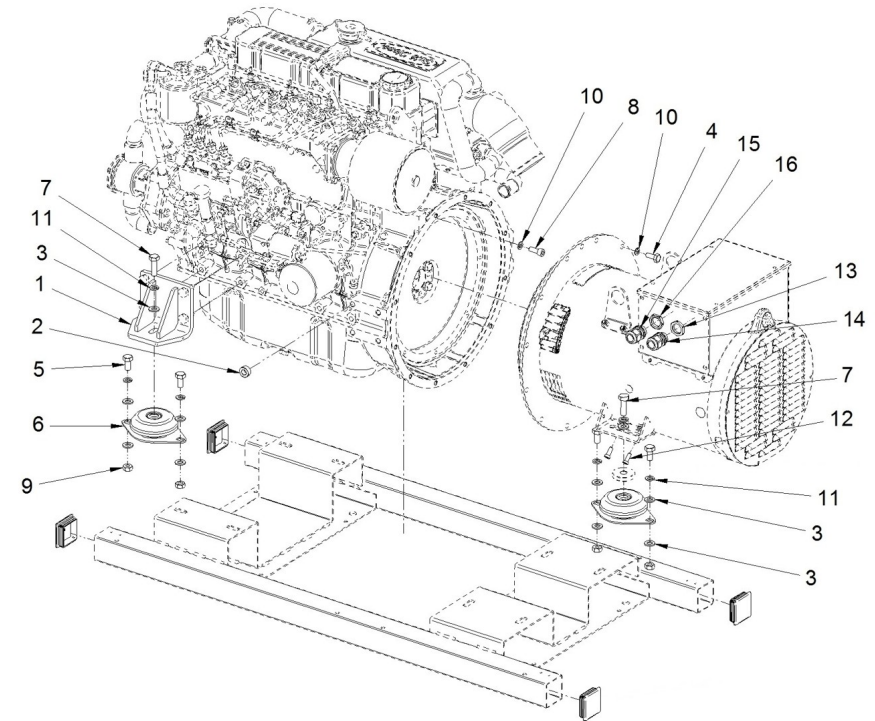


Genset 35 GT/GTC & 40 GTA/GTAC TAC

Genset Alternator Kit

D 60574068 Alternator Kit Without Cabin

| Fig. | Ref. | Qty. | Descr. | Obs | From | UpTo |
|------|-----------|------|--|---|------------|------|
| 1 | 17410001G | 2 | Support ANTERIUER | | | |
| 2 | 19414022 | 1 | Spacer 13X25X10 | | | |
| 3 | 51030012 | 20 | Washer DIN 125-12 | | | |
| 4 | 52102308 | 12 | Bolt DIN 933 M10-25 8.8 | | | |
| 5 | 52102358 | 8 | Bolt DIN 933 M12-25 8.8 | | | |
| 6 | 61674002 | 4 | Engine Mount Type F 35 SHA M12 H 41 | | | |
| 6 | 61674006 | 4 | Engine Mount Type F BRB 110 A40 SHA M12 H 41 | | 14/04/2023 | |
| 7 | 52102361 | 4 | Bolt DIN 933 M12-40 8.8 | | | |
| 8 | 52103308 | 8 | Bolt DIN 912 M10-25 8.8 | | | |
| 9 | 52120012 | 8 | Nut DIN 934 M12 8.8 | | | |
| 10 | 53033010 | 20 | Washer GROWER DIN 127-10 | | | |
| 11 | 53033012 | 8 | Washer Grower DIN 127-12 | | | |
| 12 | 53104257 | 4 | Bolt DIN 7984 M8-20 12.9 | | | |
| 13 | 60900311 | 1 | Screw Connector Press Captor-2000 M32 | | | |
| 14 | 60900310 | 1 | Connector Press CAPTOR-2000 M32 RAL7001 | | | |
| 15 | 60900306 | 1 | Connector Press CAPTOR-2000 M25 RAL7001 | | | |
| 16 | 60900309 | 1 | Screw Connector Press Captor-2000 M25 | | | |
| NS | 58088284 | 4 | Pastic Cable Zip Tie |  | | |

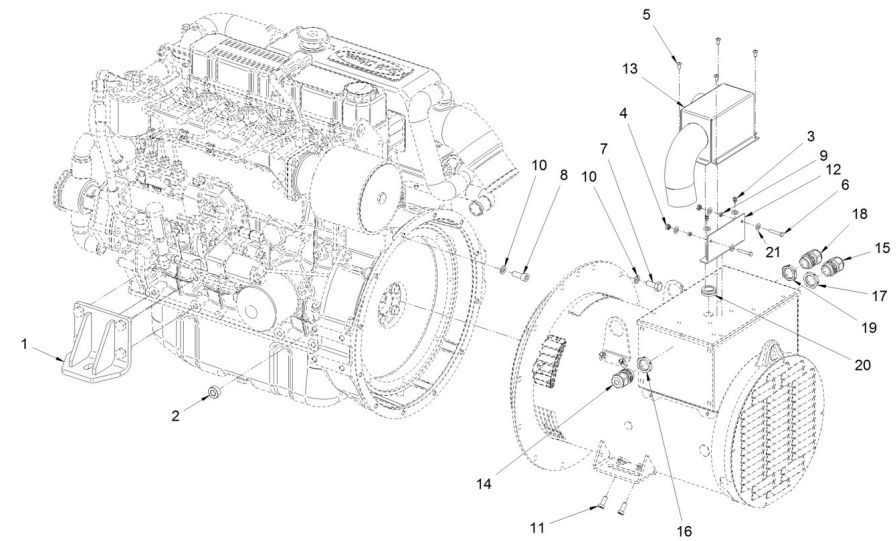


Genset 35 GT/GTC & 40 GTA/GTAC TAC

Genset Alternator Kit

D 60574067 Alternator Kit With Cabin (400/230V & 480/277V)

| Fig. | Ref. | Qty. | Descr. | Obs | From | UpTo |
|------|-------------|------|---|-----|------|------|
| 1 | 17410001G | 2 | Support ANTERIUER | | | |
| 2 | 19414022 | 1 | Spacer 13X25X10 | | | |
| 3 | 52102104 | 2 | Bolt DIN 933 M5-10 8.8 | | | |
| 4 | 51123005 | 4 | Nut DIN 985 M5 5.6 | | | |
| 5 | 51918054 | 4 | Bolt DIN 7981C 3,5-9,5 | | | |
| 6 | 52102110 | 2 | Bolt DIN 933 M5-30 8.8 CINCADO | | | |
| 7 | 52102308 | 12 | Bolt DIN 933 M10-25 8.8 | | | |
| 8 | 52103308 | 8 | Bolt DIN 912 M10-25 8.8 | | | |
| 9 | 52120005 | 2 | Nut DIN 934 M5 8.8 | | | |
| 10 | 53033010 | 20 | Washer GROWER DIN 127-10 | | | |
| 11 | 53104257 | 4 | Bolt DIN 7984 M8-20 12.9 | | | |
| 12 | 60573041.72 | 1 | VOLT REGULATOR Bracket Box | | | |
| 13 | 60574043.71 | 1 | ALT. REGULATING Box FULL | | | |
| 14 | 60900304 | 1 | Coneector Press PA Grey IP68 M16 | | | |
| 15 | 60900306 | 1 | Connector Press CAPTOR-2000 M25 RAL7001 | | | |
| 16 | 60900307 | 1 | Screw Connector Press PA Grey IP68 M16 | | | |
| 17 | 60900309 | 1 | Screw Connector Press Captor-2000 M25 | | | |
| 18 | 60900310 | 1 | Connector Press CAPTOR-2000 M32 RAL7001 | | | |
| 19 | 60900311 | 1 | Screw Connector Press Captor-2000 M32 | | | |
| 20 | 60900517 | 1 | Cover,wiring | | | |
| 21 | 51030005 | 8 | Washer DIN 125-5 | | | |
| NS | 60900510 | 1 | Emergency Stop PUSH BOTTOM | ☒ | | |
| NS | 60900511 | 1 | Stop PUSH BOTTOM Body | ☒ | | |
| NS | 60974072A | 1 | Inst. Alt. To N Blue Breaker Sec. 16 - 800mm | ☒ | | |
| NS | 60974072G | 1 | Inst. Alt. To "W" Gray Breaker Sec. 16 - 800mm | ☒ | | |
| NS | 60974072M | 1 | Inst. Alt. To "V" Brown Breaker Sec. 16 - 800mm | ☒ | | |
| NS | 60974072N | 1 | Inst. Alt. To "U" Black Breaker Sec. 16 - 800mm | ☒ | | |
| NS | 60974076 | 1 | Kit Fan Installation | ☒ | | |
| NS | 60974088 | 1 | 4 Poles 50A Diconnector | ☒ | | |

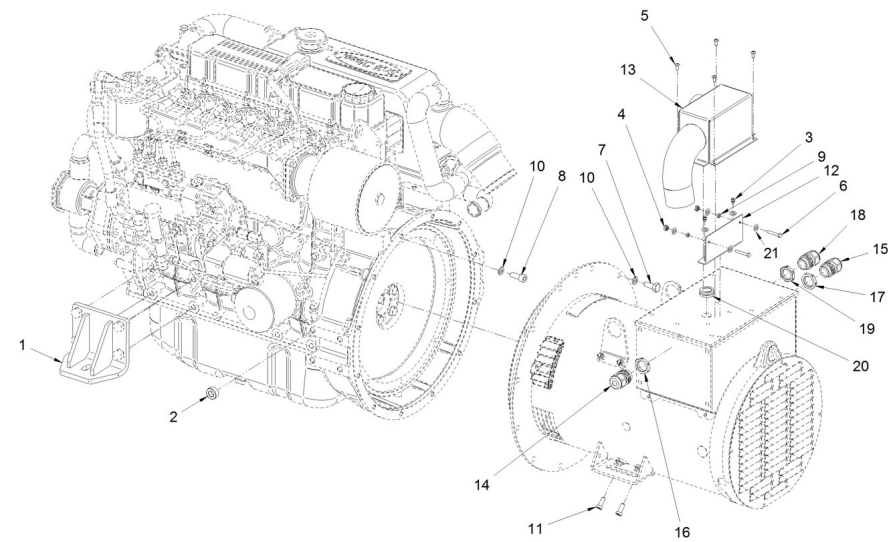


Genset 35 GT/GTC & 40 GTA/GTAC TAC

Genset Alternator Kit

D 60574069 Alternator Kit With Cabin (230V & 240V)

| Fig. | Ref. | Qty. | Descr. | Obs | From | UpTo |
|------|-------------|------|---|-----|------|------|
| 1 | 17410001G | 2 | Support ANTERIUER | | | |
| 2 | 19414022 | 1 | Spacer 13X25X10 | | | |
| 3 | 52102104 | 2 | Bolt DIN 933 M5-10 8.8 | | | |
| 4 | 51123005 | 4 | Nut DIN 985 M5 5.6 | | | |
| 5 | 51918054 | 4 | Bolt DIN 7981C 3,5-9,5 | | | |
| 6 | 52102110 | 2 | Bolt DIN 933 M5-30 8.8 CINCADO | | | |
| 7 | 52102308 | 12 | Bolt DIN 933 M10-25 8.8 | | | |
| 8 | 52103308 | 8 | Bolt DIN 912 M10-25 8.8 | | | |
| 9 | 52120005 | 2 | Nut DIN 934 M5 8.8 | | | |
| 10 | 53033010 | 20 | Washer GROWER DIN 127-10 | | | |
| 11 | 53104257 | 4 | Bolt DIN 7984 M8-20 12.9 | | | |
| 12 | 60573041.72 | 1 | VOLT REGULATOR Bracket Box | | | |
| 13 | 60574043.71 | 1 | ALT. REGULATING Box FULL | | | |
| 14 | 60900304 | 1 | Coneector Press PA Grey IP68 M16 | | | |
| 15 | 60900306 | 1 | Connector Press CAPTOR-2000 M25 RAL7001 | | | |
| 16 | 60900307 | 1 | Screw Connector Press PA Grey IP68 M16 | | | |
| 17 | 60900309 | 1 | Screw Connector Press Captor-2000 M25 | | | |
| 18 | 60900310 | 1 | Connector Press CAPTOR-2000 M32 RAL7001 | | | |
| 19 | 60900311 | 1 | Screw Connector Press Captor-2000 M32 | | | |
| 20 | 60900517 | 1 | Cover,wiring | | | |
| 21 | 51030005 | 8 | Washer DIN 125-5 | | | |
| NS | 60900510 | 1 | Emergency Stop PUSH BOTTOM | ☒ | | |
| NS | 60900511 | 1 | Stop PUSH BOTTOM Body | ☒ | | |
| NS | 60974073G | 1 | W Breaker GRAY SEC. 35 TO SYStem ALT. | ☒ | | |
| NS | 60974073M | 1 | V Breaker BROWN SEC.35 TO SYStem ALT. | ☒ | | |
| NS | 60974073N | 1 | U Breaker BLACK SEC. 35 TO MAGNETO | ☒ | | |
| NS | 60974077 | 1 | Kit Fan Installation | ☒ | | |
| NS | 60974087 | 1 | Switch Disconnecter 80A 3 Poles | ☒ | | |

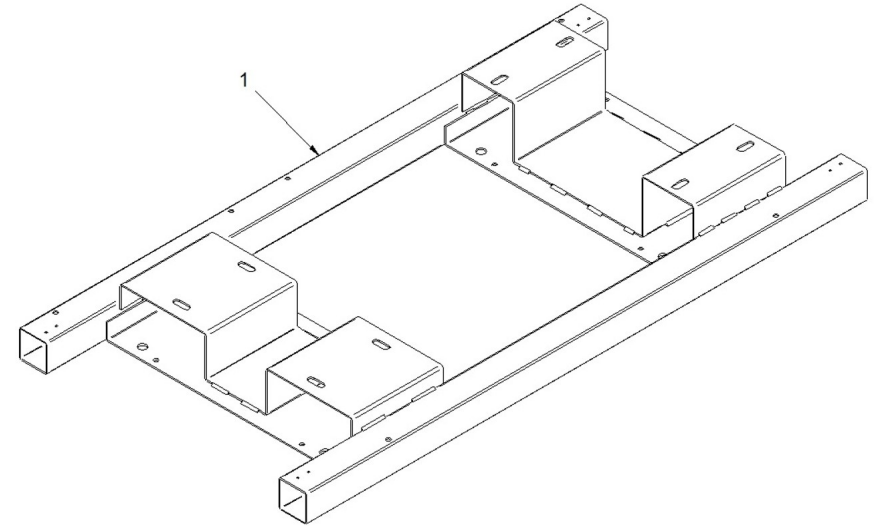


Genset 35 GT/GTC & 40 GTA/GTAC TAC

Chassis Spare Parts

D 60574043.01 Genset Chassis

| <i>Fig.</i> | <i>Ref.</i> | <i>Qty.</i> | <i>Descr.</i> | <i>Obs</i> | <i>From</i> | <i>UpTo</i> |
|-------------|-------------|-------------|----------------|------------|-------------|-------------|
| 1 | 60574043.01 | 1 | Genset CHASSIS | | | |

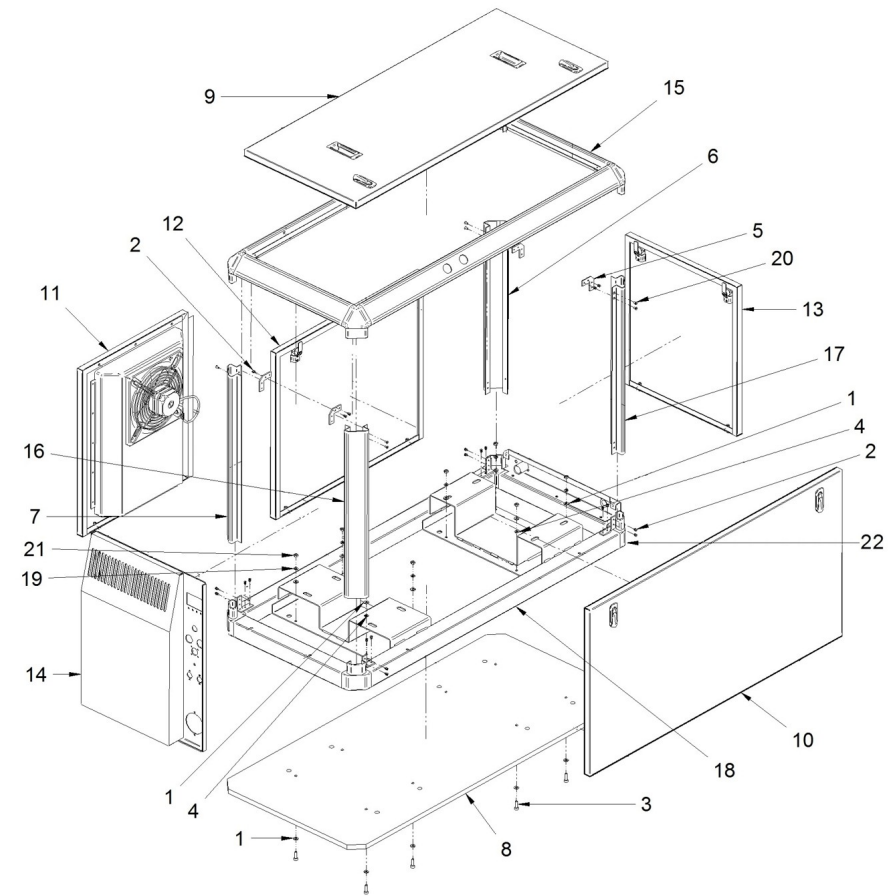


Genset 35 GT/GTC & 40 GTA/GTAC TAC

Canopy Spare Parts

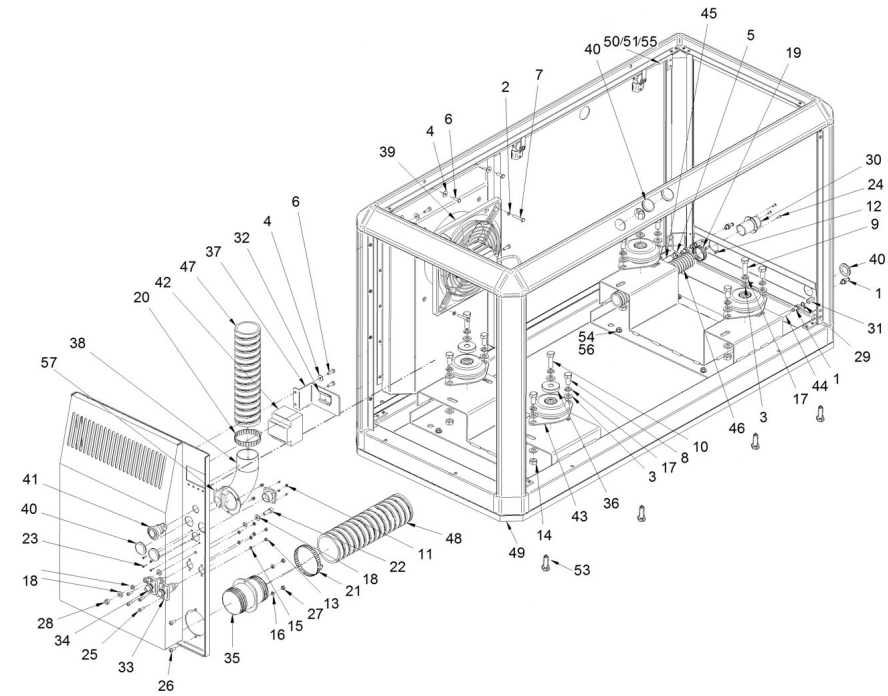
D MI74GTDN 09 1 Cabin

| Fig. | Ref. | Qty. | Descr. | Obs | From | UpTo |
|------|--------------|------|------------------------------|-----|------|------|
| 1 | 51030008 | 16 | Washer DIN 125-8 | | | |
| 2 | 51058054 | 22 | Aluminium Rivet 4.0 X 10 | | | |
| 3 | 52103258 | 8 | Bolt DIN 912 M8-25 8.8 | | | |
| 4 | 53038008 | 2 | Washer DIN 6798-A 8 | | | |
| 5 | 60573041.43 | 4 | L Fastening Bracket | | | |
| 6 | 60574043.03 | 1 | VERTICAL BAR | | | |
| 7 | 60574043.04 | 1 | VERTICAL BAR | | | |
| 8 | 60574043.10 | 1 | BASEBOARD | | | |
| 9 | 60574043.20 | 1 | Upper Panel | | | |
| 10 | 60574043.21 | 1 | RIGHT Side Panel MOBILE | | | |
| 11 | 60574043.22A | 1 | Out Side Air Panel FIXED | | | |
| 12 | 60574043.22B | 1 | Side Panel MOBILE | | | |
| 13 | 60574043.24 | 1 | FrontAL Panel | | | |
| 14 | 60574043.25 | 1 | Back Panel | | | |
| 15 | 60574043.30 | 1 | Upper FRAME | | | |
| 16 | 60574043.31 | 1 | VERTICAL BAR | | | |
| 17 | 60574043.32 | 1 | VERTICAL BAR | | | |
| 18 | 60574043.61 | 1 | Bottom Frame | | | |
| 19 | 53033008 | 6 | Washer GROWER DIN 127-8 | | | |
| 20 | 53105104 | 8 | Bolt DIN 7991 M5-10 12.9 | | | |
| 20 | 53105105 | 8 | Bolt DIN 965 M5-10 7n | | | |
| 21 | 52120008 | 8 | Nut DIN 934 M8 8.8 | | | |
| 22 | 60573045.1 | 4 | Lower Corner genset canopy | | | |
| NS | 60574043.80 | 1 | Set OF INSULATING CUT PIECES | | | |



D MI74GTDN 09 2 Cabin Kit

| Fig. | Ref. | Qty. | Descr. | Obs | From | UpTo |
|------|-------------|------|--|-----|------|------|
| 1 | 13814072 | 4 | Straight Hose Connector 1/8" NPTF | | | |
| 2 | 51030006 | 4 | Washer DIN 125-6 | | | |
| 3 | 51030012 | 17 | Washer DIN 125-12 | | | |
| 4 | 51031006 | 7 | Washer DIN 9021 6 | | | |
| 5 | 51086015 | 2 | One Ear Clamp With Interior Ring 13-15,3 | | | |
| 6 | 52102157 | 7 | Bolt DIN 933 M6-20 8.8 | | | |
| 7 | 52102160 | 4 | Bolt DIN 933 M6-35 8.8 | | | |
| 8 | 52102358 | 9 | Bolt DIN 933 M12-25 8.8 | | | |
| 9 | 52102360 | 2 | Bolt DIN 933 M12-35 8.8 | | | |
| 10 | 52102361 | 2 | Bolt DIN 933 M12-40 8.8 | | | |
| 11 | 52120003 | 4 | Nut DIN 934 M3 8.8 | | | |
| 12 | 52120004 | 3 | Nut DIN 934 M4 8.8 | | | |
| 13 | 52120005 | 4 | Nut DIN 934 M5 8.8 | | | |
| 14 | 52120012 | 8 | Nut DIN 934 M12 8.8 | | | |
| 15 | 53033005 | 4 | Washer GROWER DIN 127-5 | | | |
| 16 | 53033006 | 2 | Washer GROWER DIN 127-6 | | | |
| 17 | 53033012 | 12 | Washer Grower DIN 127-12 | | | |
| 18 | 54030008 | 3 | Washer DIN 125-8 INOX. | | | |
| 19 | 54082025 | 4 | Clamp DIN 3017 25-40/12 W4 | | | |
| 20 | 54082050 | 4 | Clamp DIN 3017 50-70/12 W4 | | | |
| 21 | 54083091 | 2 | GP Clamp 85-91 W4 STC | | | |
| 22 | 54103258 | 1 | Bolt DIN 912 M8-25 INOX. | | | |
| 23 | 54118004 | 4 | Bolt DIN 7985 M3-10 INOX | | | |
| 24 | 54118054 | 3 | Bolt DIN 7985 M4-10 INOX | | | |
| 25 | 54118106 | 4 | Bolt DIN 7985 M5-16 INOX | | | |
| 26 | 54118156 | 2 | Bolt DIN 7985 M6-16 INOX | | | |
| 27 | 54120006 | 2 | Nut DIN 934 M6 INOX | | | |
| 28 | 54120008 | 3 | Nut DIN 934 M8 | | | |
| 29 | 57000361 | 2 | Washer 10-14-1,5 | | | |
| 30 | 60571015 | 1 | Sea Water Wall PASS | | | |
| 31 | 60573041.39 | 2 | ROD Coupling 1/8 BSP | | | |

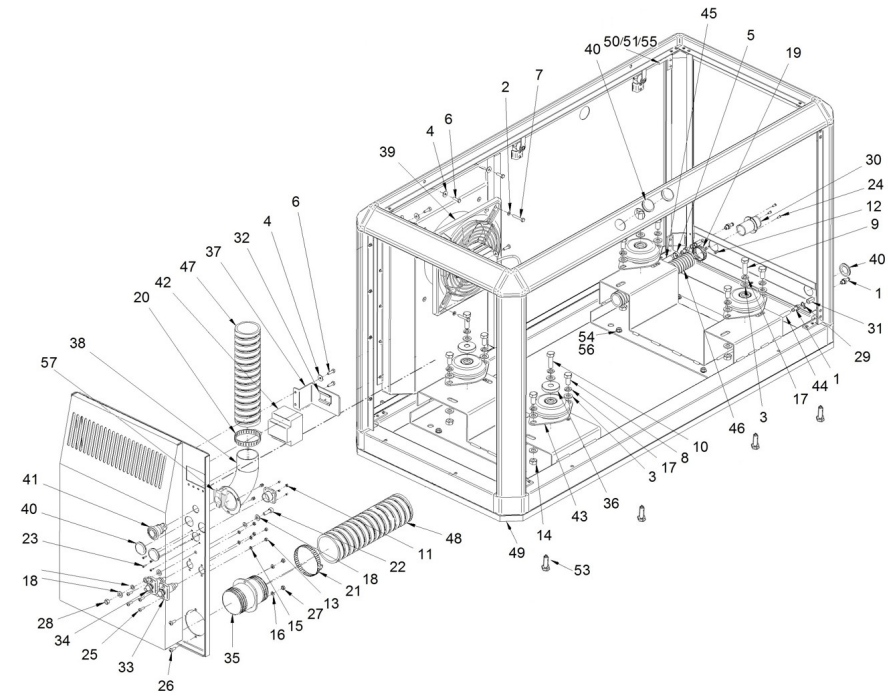


Genset 35 GT/GTC & 40 GTA/GTAC TAC

Canopy Spare Parts

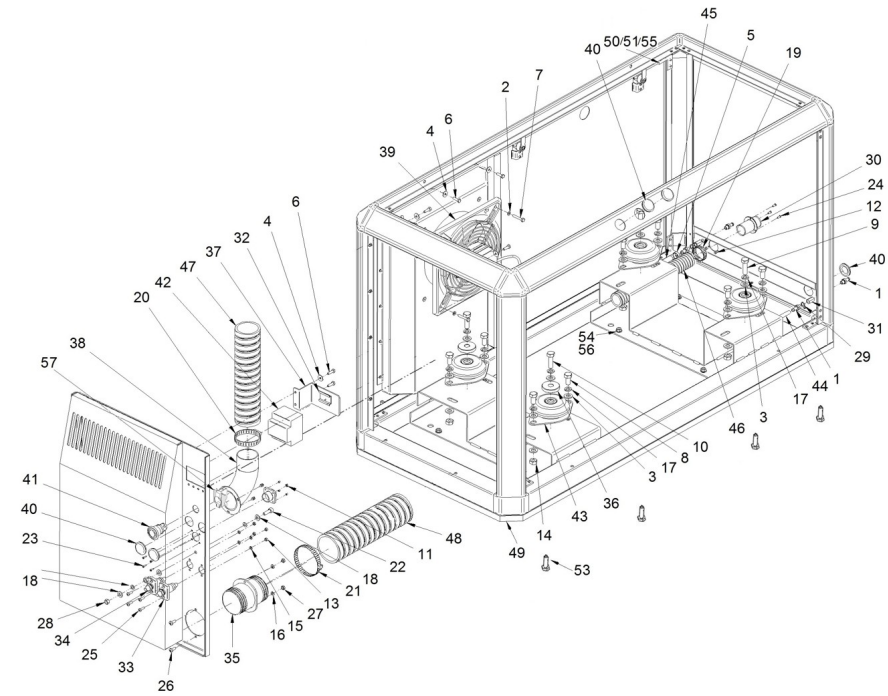
D MI74GTDN 09 2 Cabin Kit

| Fig. | Ref. | Qty. | Descr. | Obs | From | UpTo |
|------|-------------|------|--|-----|------------|------------|
| 32 | 60573041.64 | 1 | Switch Disconnecter Omega Bracket | | | |
| 33 | 60573047 | 1 | Battery Plug IN | | | |
| 34 | 60573048 | 1 | Battery Plug IN | | | |
| 35 | 60574024 | 1 | Exhaust Wall PASS 75 | | | |
| 36 | 60574025 | 2 | Washer | | | |
| 37 | 60574043.42 | 1 | Switch Disconnecter Bracket | | | |
| 38 | 60574043.46 | 1 | Elbow Nozzle D60 | | | |
| 39 | 60574044.1 | 1 | Fan HJEM 20 M4 (CASALS) | | | |
| 40 | 60900508 | 5 | Shutter 31 | | | |
| 41 | 60900510 | 1 | Emergency Stop PUSH BOTTOM | | | |
| 42 | 60974087 | 1 | Switch Disconnecter 80A 3 Poles | | | |
| 43 | 61674002 | 4 | Engine Mount Type F 35 SHA M12 H 41 | | | |
| 43 | 61674006 | 4 | Engine Mount Type F BRB 110 A40 SHA M12 H 41 | | 14/04/2023 | |
| 44 | M80501006 | 1.0 | Hose D.10-6 | | | |
| 45 | M81510817 | 1.0 | Fuel Hose D. 8-16 | | | |
| 46 | M87503242 | 2.0 | Water Intake Hose (HQ) D. 32-42 | | | |
| 47 | M88506072 | 1.0 | Exhaust Hose D. 60 | | | 04/03/2024 |
| 47 | M88576300 | 1.0 | Air Aspiration Hose D. 63 | | 04/03/2024 | |
| 48 | M88507587 | 1.0 | Exhaust Hose D. 76 | | | |
| 49 | 60574043.10 | 1 | BASEBOARD | | | |
| 50 | 60573041.43 | 4 | L Fastening Bracket | | | |
| 51 | 51058054 | 22 | Aluminium Rivet 4.0 X 10 | | | |
| 52 | 53038008 | 5 | Washer DIN 6798-A 8 | | | |
| 53 | 52103258 | 8 | Bolt DIN 912 M8-25 8.8 | | | |
| 54 | 53033008 | 7 | Washer GROWER DIN 127-8 | | | |
| 55 | 53105104 | 8 | Bolt DIN 7991 M5-10 12.9 | | | |
| 55 | 53105105 | 8 | Bolt DIN 965 M5-10 7n | | | |
| 56 | 51030008 | 17 | Washer DIN 125-8 | | | |
| 57 | 60900511 | 1 | Stop PUSH BOTTOM Body | | | |
| NS | 13817011 | 2 | Bracket | | | |
| NS | 19414030 | 3 | STRAIGHT COUPLING 3/8 | | | |



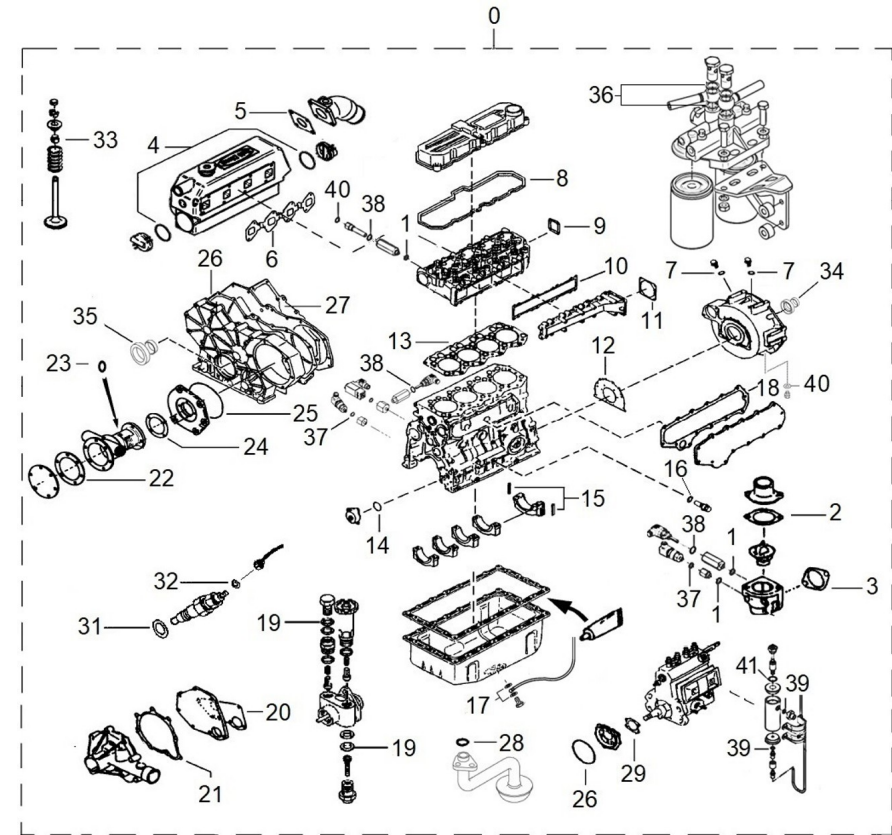
D MI74GTDN 09 2 Cabin Kit

| Fig. | Ref. | Qty. | Descr. | Obs | From | UpTo |
|------|-------------|------|--|-----|------|------|
| NS | 19414031 | 3 | BOLT 3/8 | | | |
| NS | 51030005 | 4 | Washer DIN 125-5 | | | |
| NS | 51030010 | 1 | Washer DIN 125-10 | | | |
| NS | 52101268 | 1 | Bolt DIN 931 M8-75 8.8 | | | |
| NS | 52102357 | 1 | Bolt DIN 933 M12-20 8.8 | | | |
| NS | 52120006 | 2 | Nut DIN 934 M6 8.8 | | | |
| NS | 52120008 | 8 | Nut DIN 934 M8 8.8 | | | |
| NS | 53038010 | 2 | Washer DIN 6798-A 10 | | | |
| NS | 53038012 | 1 | Washer DIN 6798-A 12 | | | |
| NS | 54030006 | 2 | Washer DIN 125-6 INOX. | | | |
| NS | 54082032 | 2 | Clamp DIN 3017 32-50/12 W4 | | | |
| NS | 58018160 | 4 | Screw | | | |
| NS | 58088284 | 4 | Pastic Cable Zip Tie | | | |
| NS | 59071404 | 1 | Clamp RSGU 1 40/20 W1 | | | |
| NS | 59071452 | 2 | Clamp 1 42/15 W1 | | | |
| NS | 60594041.39 | 1 | Gasoil Wall Bushing D12 MALE | | | |
| NS | 60594041.40 | 1 | ROD Coupling 3/8 BSP | | | |
| NS | 60900047 | 1 | White Strip VDe 104 4 | | | |
| NS | 60972073 | 1 | 0,25 M. CHASSIS TO MOTOR Wiring GROUND | | | |
| NS | 60972074 | 1 | 0,44 M. Back Panel To Alt. Wiring Ground | | | |
| NS | 60972090 | 2 | TER. PROTECTIVE 20 RED | | | |
| NS | 60972091 | 2 | TER. PROTECTIVE 20 BLACK | | | |
| NS | 60972094 | 1 | TER. PROTECTIVE 28 RED | | | |
| NS | 60973049.1 | 1 | RED Battery POSITIVE Wiring | | | |
| NS | 60973053 | 1 | Sec. 25 Black 0,95 m Ter. 10/10 cable | | | |
| NS | M88503242 | 2.0 | DNV Water Intake Hose D. 32-42 | | | |



D 17420101DNV Gasket Kit

| Fig. | Ref. | Qty. | Descr. | Obs | From | UpTo |
|------|-------------|------|-------------------------|-----|------|------|
| 0 | 17420101DNV | 1 | Gasket Kit MINI-74 TAC | | | |
| 1 | 56000073 | 3 | Copper Washer 16-23-1,5 | | | |
| 2 | 17111021 | 1 | Gasket | | | |
| 3 | 13321014 | 1 | Gasket | | | |
| 4 | 18011008 | 2 | O-Ring D. 72X3 | | | |
| 5 | 16513002 | 1 | Exhaust Elbow Gasket | | | |
| 6 | 17421035 | 1 | Gasket,Exhaust Manifold | | | |
| 7 | 17121013 | 2 | Gasket | | | |
| 8 | 17421010 | 1 | Rocker Cover Gasket | | | |
| 9 | 17421011 | 1 | Gasket | | | |
| 10 | 17421032 | 1 | Gasket IN.MANIFOld | | | |
| 11 | 17421042 | 1 | Gasket | | | |
| 12 | 17420025 | 1 | Gasket,Rear | | | |
| 13 | 17421004 | 1 | Gasket,Cylinder Head | | | |
| 14 | 17424055 | 1 | O-Ring D. 60X2 | | | |
| 15 | 17420112 | 2 | Seal,Valve | | | |
| 16 | 17424063 | 1 | Gasket | | | |
| 17 | 56000069 | 2 | Washer 14-20-1,5 | | | |
| 18 | 17424062.1 | 1 | Gasket,Side Cover | | | |
| 19 | 17424008 | 8 | Washer,SealING | | | |
| 20 | 17421041 | 1 | Gasket,Side Cover | | | |
| 21 | 17421022 | 1 | Gasket,Pump Cover | | | |
| 22 | 34711003 | 1 | Gasket Cover | | | |
| 23 | 33311013 | 1 | O-Ring D. 15X2 | | | |
| 24 | 13310013 | 1 | Gasket,water pump | | | |
| 25 | 17420047 | 2 | O-Ring D. 140X2 | | | |
| 26 | 17420040 | 1 | Gasket,Gear | | | |
| 27 | 17420018 | 1 | Gasket,Front Plate | | | |
| 28 | 17424060 | 1 | O-Ring D. 22X2,4 | | | |
| 29 | 17425028 | 1 | Gasket | | | |
| 30 | 13324011 | 1 | Washer | | | |

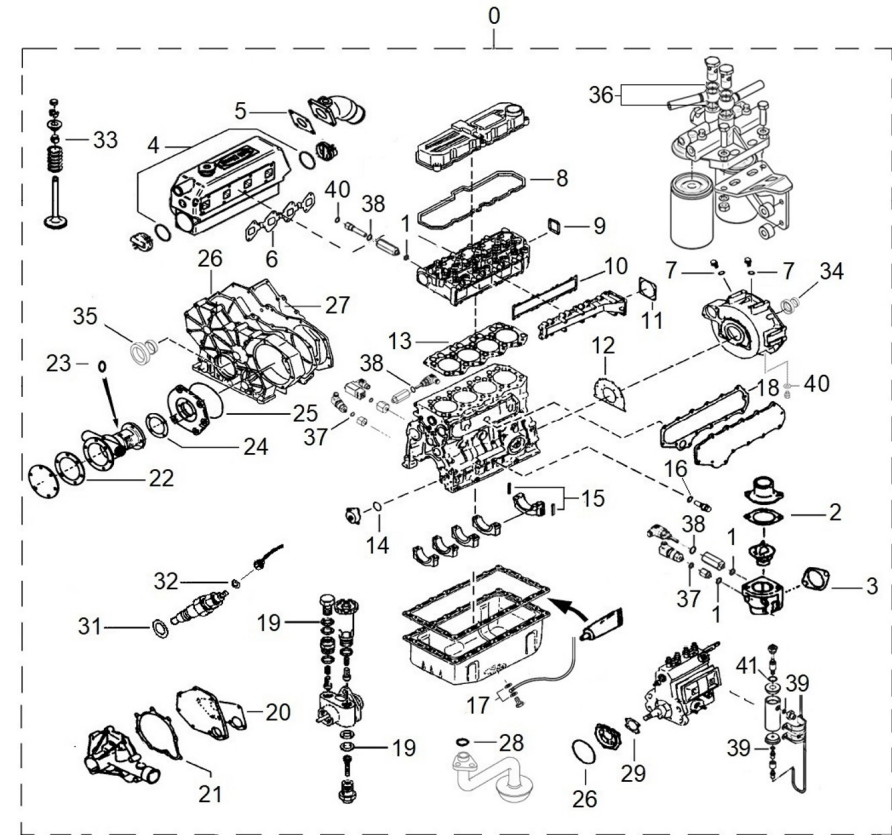


Genset 35 GT/GTC & 40 GTA/GTAC TAC

Maintenance Kit

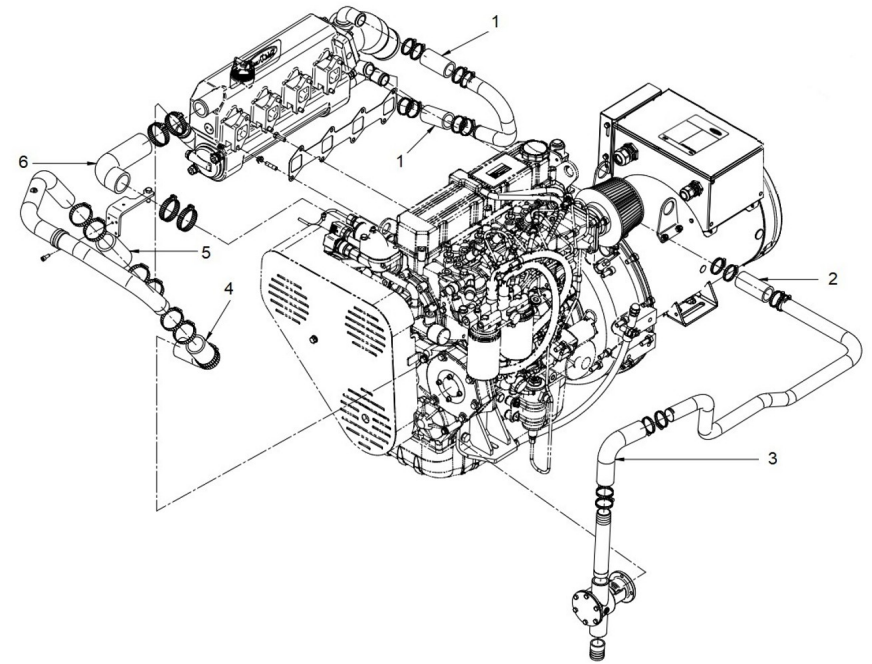
D 17420101DNV Gasket Kit

| Fig. | Ref. | Qty. | Descr. | Obs | From | UpTo |
|------|-------------|------|-----------------------------|-----|------|------|
| 31 | 13824013 | 4 | Injector Washer | | | |
| 32 | 17424025G.1 | 4 | Gasket Fuel Return (Genset) | | | |
| 33 | 17422054 | 8 | Seal,Valve Stem | | | |
| 34 | 13320063 | 1 | Seal Oil | | | |
| 35 | 17420039.1 | 1 | Seal Assy,Oil | | | |
| 36 | 57000378 | 4 | Washer 18-24-1,5 | | | |
| 37 | 56000067 | 3 | Washer 13-20-1,5 | | | |
| 38 | 56000083 | 3 | Washer 21-26-1,5 | | | |
| 39 | 56000061 | 2 | Washer 10-16-1,5 | | | |
| 40 | 56000077 | 2 | Washer 18-23-1,5 | | | |
| 41 | 56000086 | 1 | Washer 22,3-29-1,5 | | | |



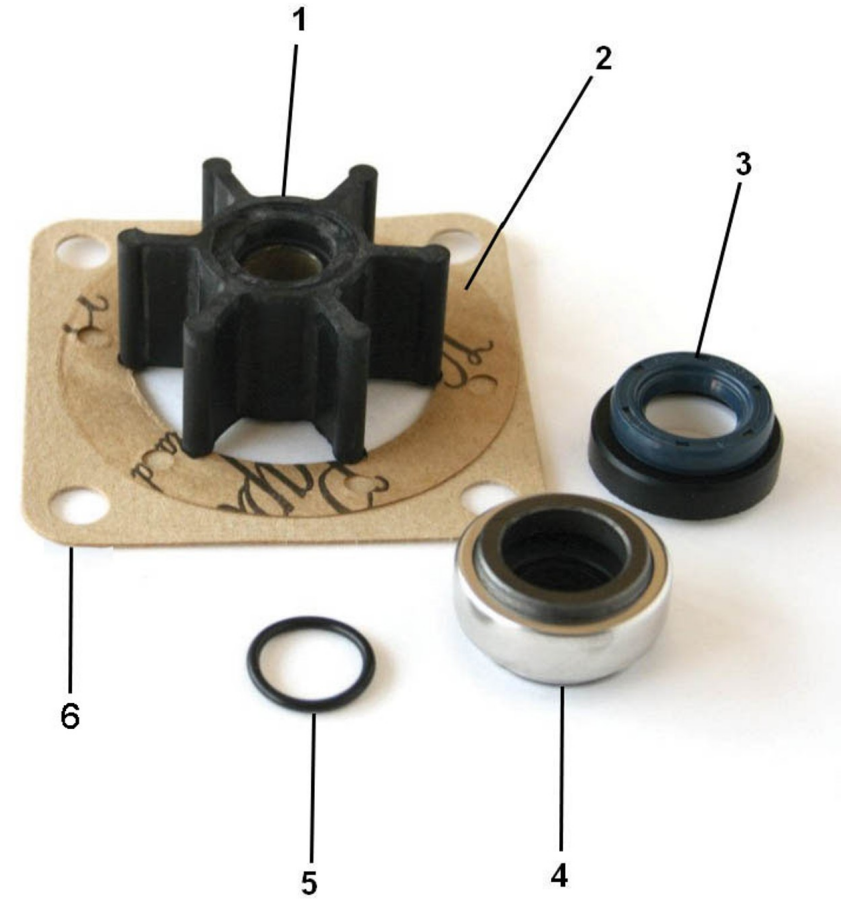
D 17410035 Pipe Rubber Set, Water Line TAC

| <i>Fig.</i> | <i>Ref.</i> | <i>Qty.</i> | <i>Descr.</i> | <i>Obs</i> | <i>From</i> | <i>UpTo</i> |
|-------------|-------------|-------------|-------------------------------|------------|-------------|-------------|
| 1 | 13611038 | 2 | Pipe 30-40-75 | | | |
| 2 | 13211037 | 1 | Pipe 30-40-85 | | | |
| 3 | 13211057 | 1 | Rubber | | | |
| 4 | 15211026 | 1 | Elbow,rubber | | | |
| 5 | 15211053 | 1 | Pipe 38-50-100 | | | |
| 6 | 17411013 | 1 | Thermostat Water Outlet Elbow | | | |



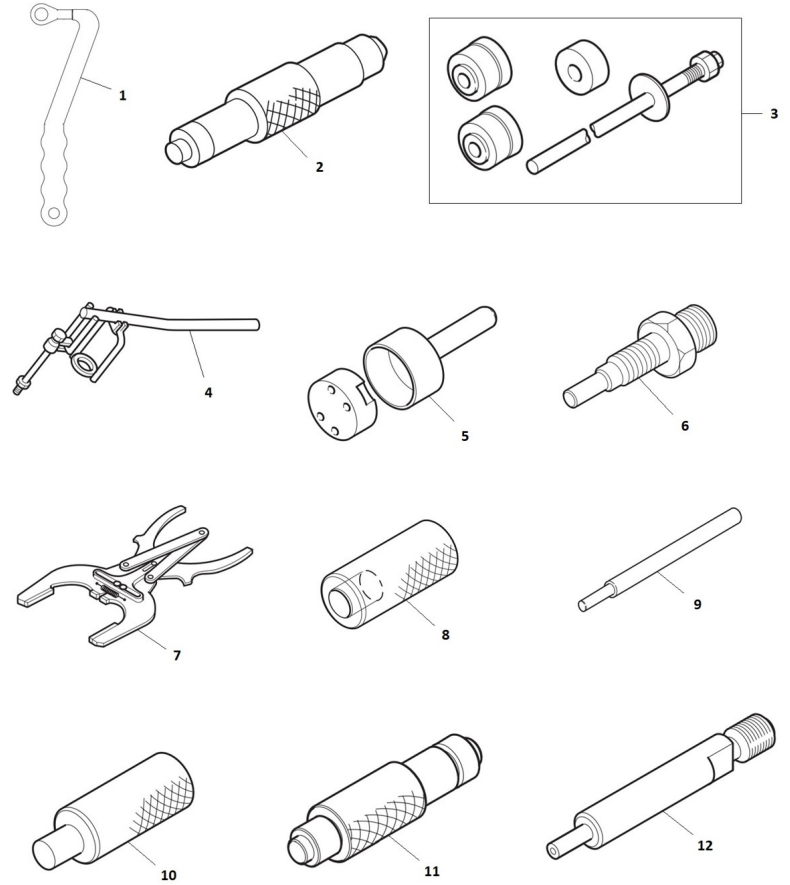
36511000K Repair Kit Water Pump 1"

| <i>Fig.</i> | <i>Ref.</i> | <i>Qty.</i> | <i>Descr.</i> | <i>Obs</i> | <i>From</i> | <i>UpTo</i> |
|-------------|-------------|-------------|-------------------|------------|-------------|-------------|
| 1 | 34711008 | 1 | 1" Impeller | | | |
| 2 | 34711003 | 1 | Gasket Cover | | | |
| 3 | 36511020 | 1 | Seal 16-30-7 | | | |
| 4 | 36511019 | 1 | Seal | | | |
| 5 | 33311013 | 1 | O-Ring D. 15X2 | | | |
| 6 | 13310013 | 1 | Gasket,water pump | | | |



D UTILFA0960 1 Special Tools

| Fig. | Ref. | Qty. | Descr. | Obs | From | UpTo |
|------|-------------|------|----------------------------------|-----|------|------|
| 1 | 13811063 | 1 | Refrigerator Mounting Key | | | |
| 2 | U3009107300 | 1 | Idler Bushing Installer | | | |
| 3 | U3069100010 | 1 | Camshaft Bushing Installer Set | | | |
| 4 | U3069104500 | 1 | Valve Spring Pusher | | | |
| 5 | U3069113010 | 1 | Oil seal sleeve installer set | | | |
| 6 | U3069121100 | 1 | Gauge Adapter | | | |
| 7 | UMM74007 | 1 | Piston Ring Pliers | | | |
| 8 | U32A9100100 | 1 | Valve Guide Installer | | | |
| 9 | U32A9100300 | 1 | Valve Guide Remover | | | |
| 10 | U32A9100400 | 1 | Oil Pump Bushing Installer | | | |
| 11 | U32A9100500 | 1 | Connecting rod bushing puller | | | |
| 12 | U32A9101100 | 1 | Gauge adapter (direct injection) | | | |



D UTILFA0960_2 Special Tools

| <i>Fig.</i> | <i>Ref.</i> | <i>Qty.</i> | <i>Descr.</i> | <i>Obs</i> | <i>From</i> | <i>UpTo</i> |
|-------------|-------------|-------------|----------------------------------|------------|-------------|-------------|
| 13 | U32A9110200 | 1 | Stem Seal Installer | | | |
| 14 | 19440400.2 | 1 | Compression Manometer 10-60 Bar | | | |
| 15 | U3449100200 | 1 | Piston Installer | | | |
| 16 | U3449103020 | 1 | Valve Sheet Insert Caulking Tool | | | |
| 17 | U3679100200 | 1 | Valve Sheet Insert Caulking Tool | | | |
| 18 | UMH061077 | 1 | Idler Shaft Puller | | | |

