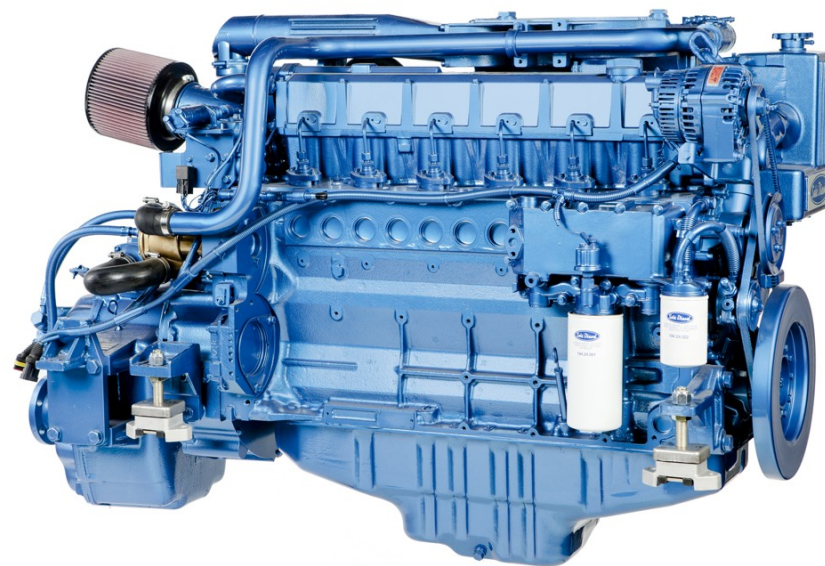
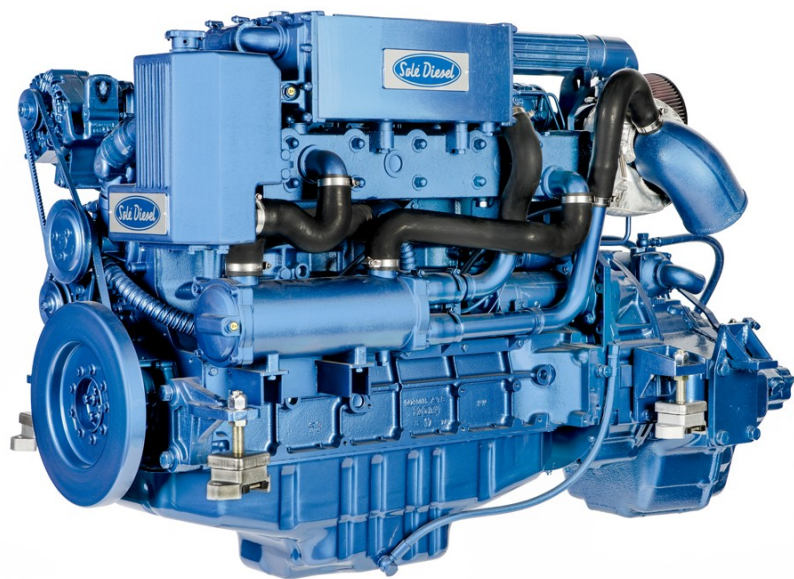




Engine SDZ-280

VERSION 2024-3

PART LIST



PARTS LIST CATALOGUE

NORMS TO PLACE AN ORDER

For fast and more efficient service, please specify the following information on spare parts orders that must be preferably done by e-mail as specified below:

- 1- Engine model: As shown in identification plate
- 2- Engine serial number: As shown in identification plate and stamped on crankcase
- 3- Item description + part number + quantity required

Spare parts requests must be addressed to :

orders@solediesel.com

Telf.: +34 93 775 44 05

The components shown in the catalog have:

- Figure: Number by which they are represented in scheme
 - Description: Trade name of the component
 - Quantity: Total number of parts used in the assembly of the part represented (may differ from the total minimum quantities)
- Hoses, indicates the total length in meters
-

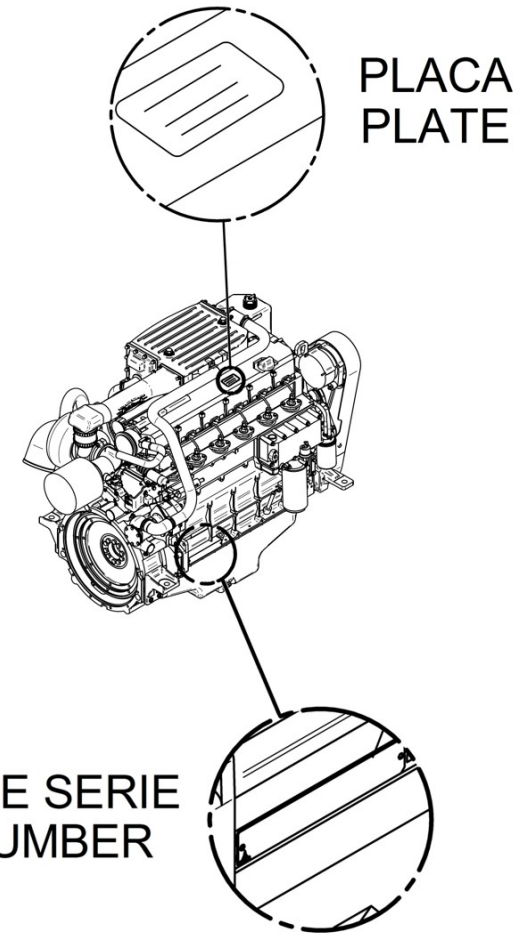
The diagrams shown in this catalog of spare parts, have only the purpose to identify the piece in question, its representation is not meaningful and may differ from the actual piece.

In case of doubt, contact Solé Diesel, or your authorized dealer.

The parts i / or references in this catalog are subject to change without notice.

SOLÉ, S.A.

C-243b, km, 2 - P.O. BOX 25
08760 Martorell (Barcelona) Spain



Index

Engine Body

Cylinder Head
 Rocker Cover & Breather
 Valve Drive
 Timing Parts
 Gear Case
 Cranckcase
 Flywheel Housing
 Piston & Connectiong Rod
 Crankshaft & Flywheel
 Oil Sysem
 Oil Pan
 Engine Brackets
 Bracket, Engine Control
 Oil Cooler

Inlet & Exhaust

Inlet
 Turbocharger
 Spare Parts, Turbocharger
 Spare SDZ-165/280 Intercooler Kit
 Exhaust Manifold
 Manifold Assy
 Breather Line

Cooling System

Water Pump
 Cooler Pipes
 Wet Exhaust
 Water Cooler Assy SDZ-165/205/280
 Water Cooler Assy SDZ-280 (R)
 Expansion Tank
 Key Pump SDZ-165/205/280 Gr-109/165

Fuel System

Fuel Pipe
 Injection Nozzle
 Fuel Injection Pump
 Governor Parts
 Fuel Filter
 Feed Pump

24V Electrical System

24V Electrical Wiring
 Kit Alternator 28V/55A
 Starter
 SVT 30 SDZ-165/205/280 Panel
 Panel SSG 30 Spare Parts
 Engine Extension

Gasket Kit
 Fuel Filter
 Hand Pump
 Pipe Rubber Set
 Special Tools 1/4
 Special Tools 2/4
 Special Tools 3/4
 Special Tools 4/4

Gearbox TM-360

Housing 1/5
 Housing 2/5
 Sheet 3/5
 Sheet 4/5
 Sheet 5/5
 Maintenance Kit

Gearbox TM-1200A

Housing 1/4
 Sheet 2/4
 Sheet 3/4
 Sheet 4/4
 Maintenance Kit

Gearbox TM-265

Sheet 1.1/4
 Sheet 1.2/4
 Input Shaft 2/4
 Intermediate Shaft 3/4
 Output Shaft 4/4
 Maintenance Kit

Gearbox TM-265A

Sheet 1.1/4
 Sheet 1.2/4
 Input Shaft 2/4
 Intermediate Shaft 3/4
 Output Shaft 4/4
 Maintenance Kit

Gearbox TM-880A

Sheet 1.1/4
 Sheet 1.2/4
 Sheet 1.3/4
 Input Shaft 2/4
 Intermediate Shaft 3/4
 Output Shaft 4/4
 Maintenance Kit

Sheet 1/9
 Sheet 2/9
 Sheet 3/9
 Sheet 4/9
 Sheet 5/9
 Sheet 6/9
 Sheet 7/9
 Sheet 8/9
 Sheet 9/9

Gearbox DMT-100 HL

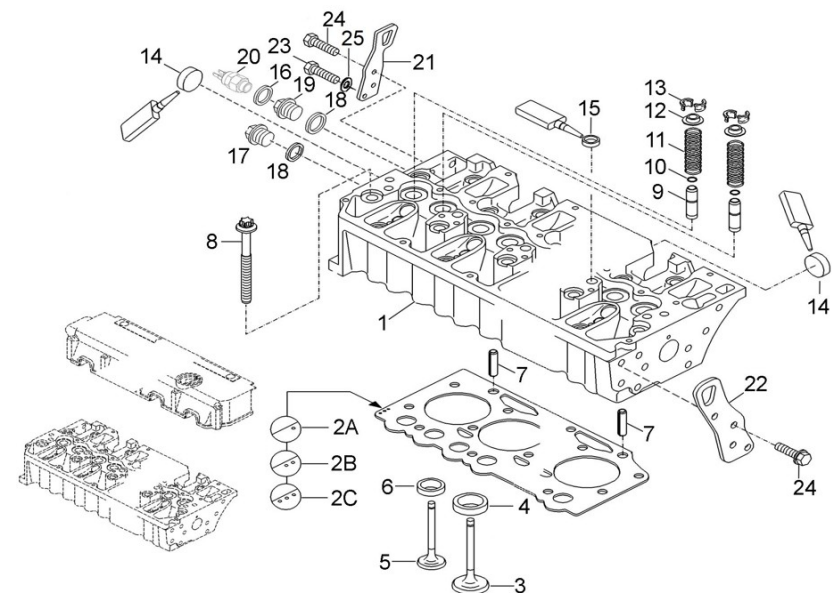
Sheet 1/9
 Sheet 2/9
 Sheet 3/9
 Sheet 4/9
 Sheet 5/9
 Sheet 6/9
 Sheet 7/9
 Sheet 8/9
 Sheet 9/9

Kit Gearbox

Kit GearBox TM-360
 Kit GearBox TM-1200A
 Gearbox Kit for TM-265/A Oil Cooler & Supports
 Kit GearBox TM-880A
 Kit DMT-100IV Gearbox
 Gearbox kit DMT-100HL

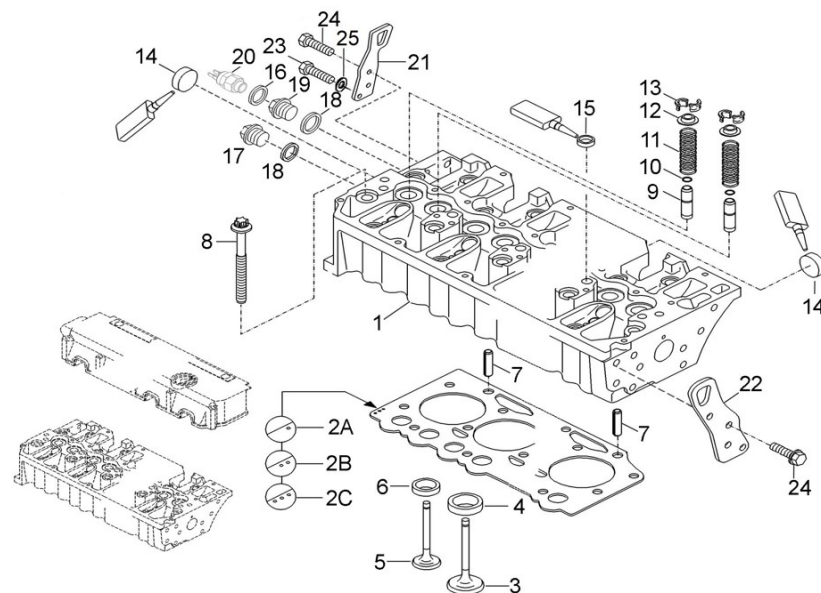
D_SD28_1_1 **Cylinder Head**

Fig.	Ref.	Qty.	Descr.	Obs	From	UpTo
1	19621001	1	Cylinder Head			
2A	19521006	1	Cylind.Head Gasket 1,54 mm			
2B	19521005	1	Cylind.Head Gasket 1,64mm			
2C	19521004.2	1	Cylind.Head Gasket 1,74mm			
3	19522055	6	Intake Valve			
4A	19421061	6	Valve Seat INSERT			
4B	19421061.1	0	OverSIZE Valve Seat INSERT - 1ST	#		
4C	19421061.2	0	OverSIZE Valve Seat INSERT - 2nd	#		
5	19522056	6	Exhaust Valve			
6A	19421062	6	Valve Seat INSERT			
6B	19421062.1	0	OverSIZE Valve Seat INSERT - 1A	#		
6C	19421062.2	0	OverSIZE Valve Seat INSERT - 2nd	#		
7	19421007	2	ClampING Bush			
8	19421005	26	Bolt,cylinder head			
9A	19421002A	12	Valve Guide			
9B	19421002.1	12	OverSIZE Valve Guide - 1ST			
9C	19421002.2	12	OverSIZE Valve Guide - 2nd			
10	19422054	12	O-Ring			
11	19422057	12	COMPRESSION Spring			
12	19422058	12	VALV.Spring RETAIN			
13	19422059	24	Valve COLLET			
14	19420011	5	Plug			
15	19421008	5	CORE Hole Plug			
16	56000069	1	Washer 14-20-1,5			11/01/2022
17	19420071	1	Screw Plug		22/11/2017	
17	60900988	1	Temperature Sensor			21/11/2017
18	19421016	2	SeallNG Ring			
19	19417003	1	Adapter Plug			11/01/2022
19	19421022.1	1	Screw plug		11/01/2022	
20	60994070	1	Thermo-switch 110°			11/01/2022
21	19610020	1	Bracket			



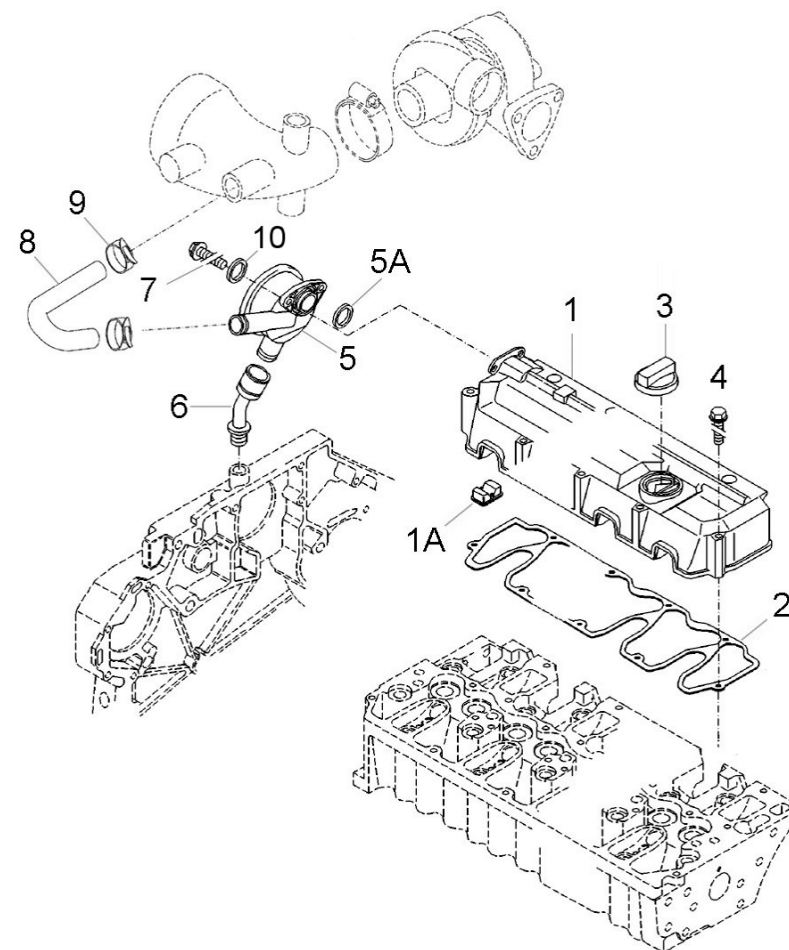
D_SD28_1_1 Cylinder Head

Fig.	Ref.	Qty.	Descr.	Obs	From	UpTo
22	19420081	1	SUSPENSING Plate			
23	52102309	1	Bolt DIN 933 M10-30 8.8			
24	19420079	4	Screw			
25	53033010	1	Washer GROWER DIN 127-10			
NS	19421017	1	SAFETY/LOCK.AGENT			



D_SD28_1_2 Rocker Cover & Breather

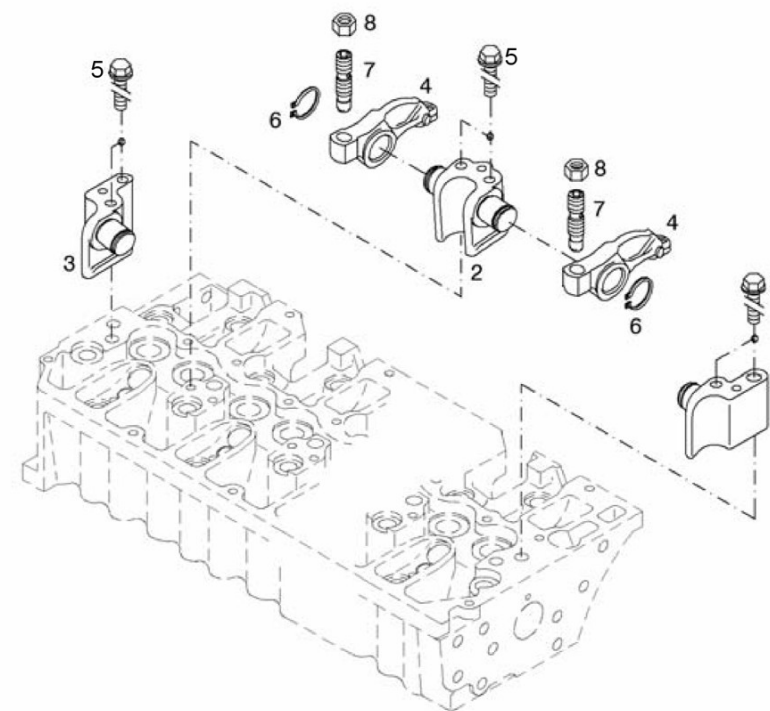
Fig.	Ref.	Qty.	Descr.	Obs	From	UpTo
1	19521009.1	1	Cover Assy, Rocker			
1A	19521011	1	Cap			
2	19521010	1	Rocker Cover Gasket			
3	19421003	1	FILLER Cap			
4	19421012	13	HEXAGON Bolt			
5	19521051	1	Pressure REGULATO			
5A	19521052	1	Gasket			
6	19621054	1	RUBBER SLEEVE			
7	19621053	2	BOLT			
8	19421057.1	1	Hose DESAirA			
9	19421056	2	Hose Clip			
10	19621056	2	WASHER			



D_SD28_1_3

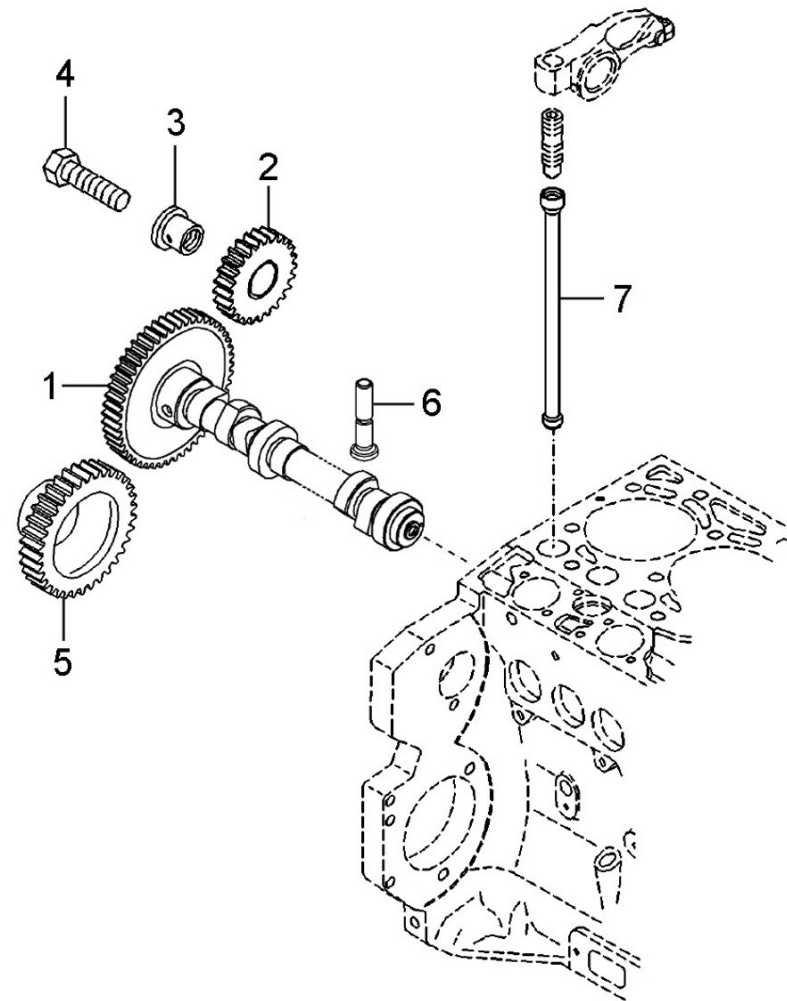
Valve Drive

Fig.	Ref.	Qty.	Descr.	Obs	From	UpTo
1	19422045	1	Rocker ARM Bracket			
2	19422045.1	5	Rocker ARM Bracket			
3	19422045.2	1	Rocker ARM Bracket			
4	19422042	12	Rocker ARM			
5	19422053	26	HEXAGON Bolt			
6	19422047	12	CIRClip			
7	19622044	12	Screw Adjusting			
8	19422052	12	Nut			

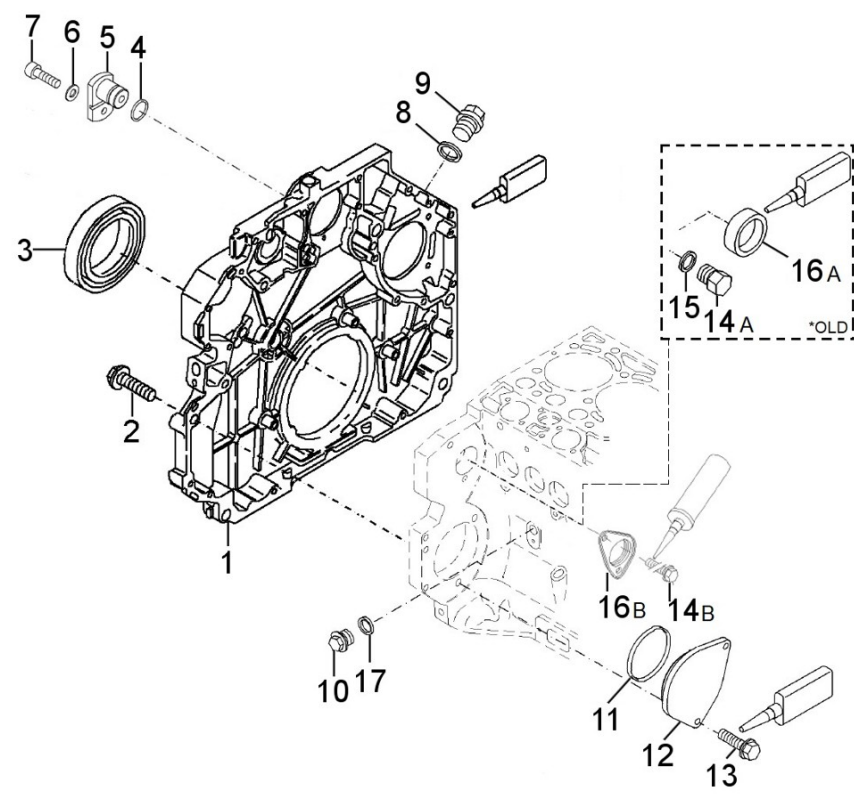


D_SD28_1_4 Timing Parts

Fig.	Ref.	Qty.	Descr.	Obs	From	UpTo
1	19522035	1	CamShaft			
2	19422065	1	TOOTHED Gear			
3	19422067	1	THREADED PIECE			
4	19422066	1	HEXAGON Bolt			
5	19421124	1	Toothed Gear			
6	19422061.1	12	Tappet			
7	19422041	12	PUSHROD			

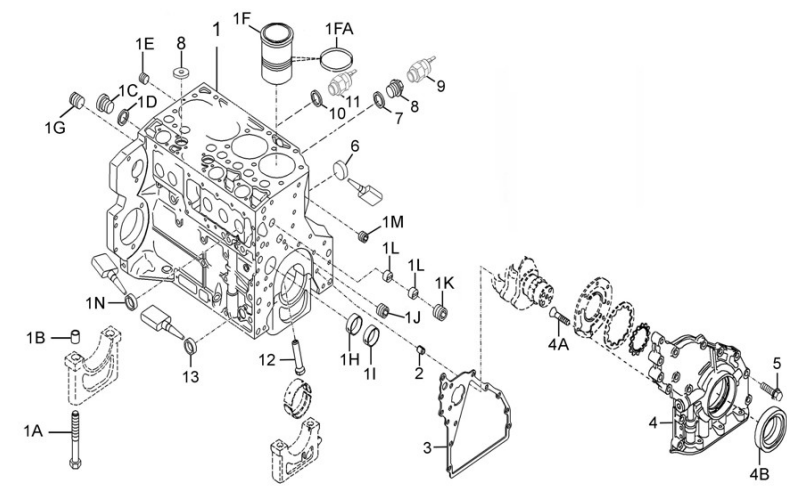


D_SD28_1_5		Gear Case				
Fig.	Ref.	Qty.	Descr.	Obs	From	UpTo
1	19420055.1	1	GearCase			
2	19420027	12	Screw			
3	19420039.1	1	ROT.Shaft LIP Seal			
4	19420200	1	O-Ring			
5	19420188	1	Plug			
6	19420201	1	Plain Washer			
7	19420187	1	Bolt			
8	19421116	1	SeallNG Ring			
9	19421020	1	Screw Plug			
10	19420071	1	Screw Plug			
11	19420226	1	O-Ring D. 100X4			
12	19420225	1	Cover			
13	19420227	2	HEXAGON Bolt			
14A	19421023	2	Screw Plug			
14B	19620010	2	Hexagon Bolt			
15	19424087	2	SeallNG Ring			
16A	19421024	1	Core Hole Plug			
16B	19620009	1	Cover			
17	19421016	1	SeallNG Ring			
NS	19420013	1	SAFETY/LOCK.AGENT			



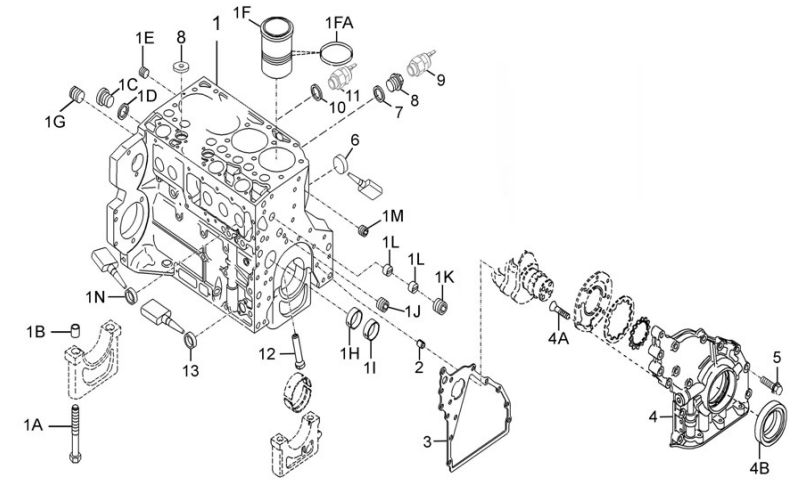
D_SD28_1_6 **Crankcase**

Fig.	Ref.	Qty.	Descr.	Obs	From	UpTo
1	19620001.1	1	Crankcase			
1A	19420061	14	Screw			
1B	19420062	14	Bush			
1C	19420063	2	Screw Plug			
1D	19420064	3	SeallNG Ring			
1E	19420058.1	1	Screw			
1F	19620050.1	6	Cylinder LINER			
1FA	19420074	2	O-Ring D. 115X3			
1G	19420073.1	1	Screw Plug			
1H	19420069	1	Bearing Bush			
1I	19420068	6	Bearing Bush			
1J	19420066	1	Screw Plug			
1K	19420065	1	Screw Plug			
1L	19420072	1	Guide SLEEVE			
1LA	19520072	1	Guide SLEEVE			
1M	19420067.1	2	Screw Plug			
1N	19420070.1	10	CORE Hole Plug			
2	19420028	1	ClampING Bush			
3	19420026.2	1	Gasket			
4	19520025	1	Front Cover			
4A	19420009	8	Screw			
4B	19420008	1	ROT.Shaft LIP Seal			
5	19420027	14	Screw			
6	19420180	1	CORE Hole Plug			
7	56000069	1	Washer 14-20-1,5			
8	19417001	1	Plug			
9	60900076	1	Switch, oil press			
10	56000219	1	Washer 14-20-3		22/11/2017	
11	19420071	1	Screw Plug			21/11/2017
11	60900988	1	Temperature Sensor		22/11/2017	11/01/2022
11	60994070	1	Thermo-switch 110°		11/01/2022	



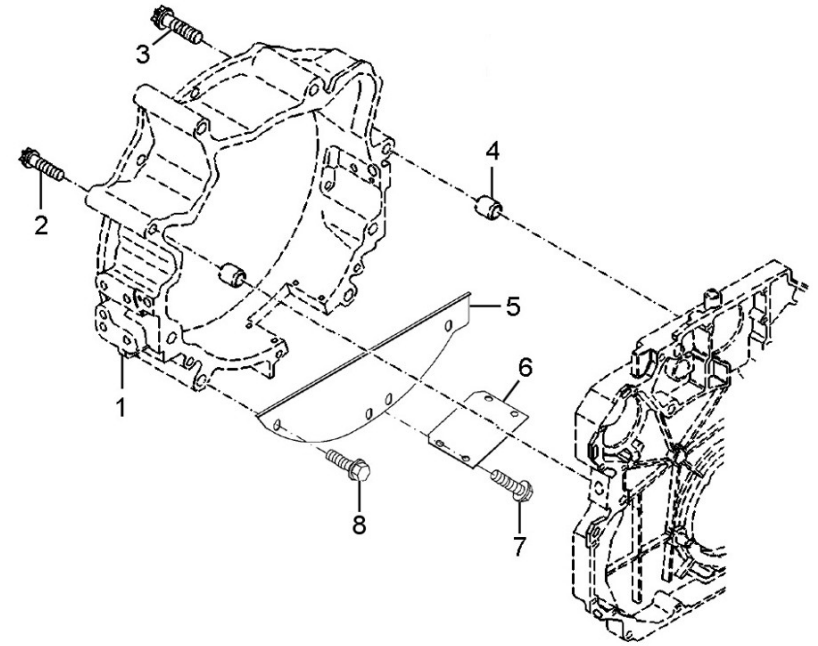
D_SD28_1_6 Cranckcase

Fig.	Ref.	Qty.	Descr.	Obs	From	UpTo
12	19420034	6	Piston COOL.Nozzle			
13	19420026	1	Gasket			
NS	19420013	1	SAFETY/LOCK.AGENT			



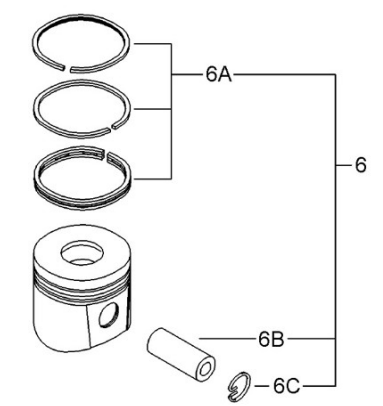
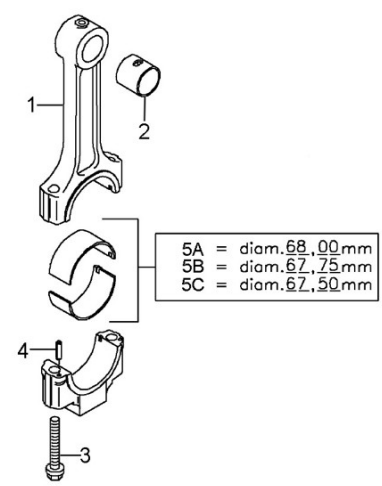
D_SD28_1_7 Flywheel Housing

Fig.	Ref.	Qty.	Descr.	Obs	From	UpTo
1	19420211	1	Connection Housing			
2	19420203	2	Bolt			
3	19420204	4	Bolt			
4	19420210G	2	Bush			
5	19420213	1	Cover			
6	19420205	2	Cover			
7	19420206	4	HEXAGON Bolt			
8	19428054	7	Screw			



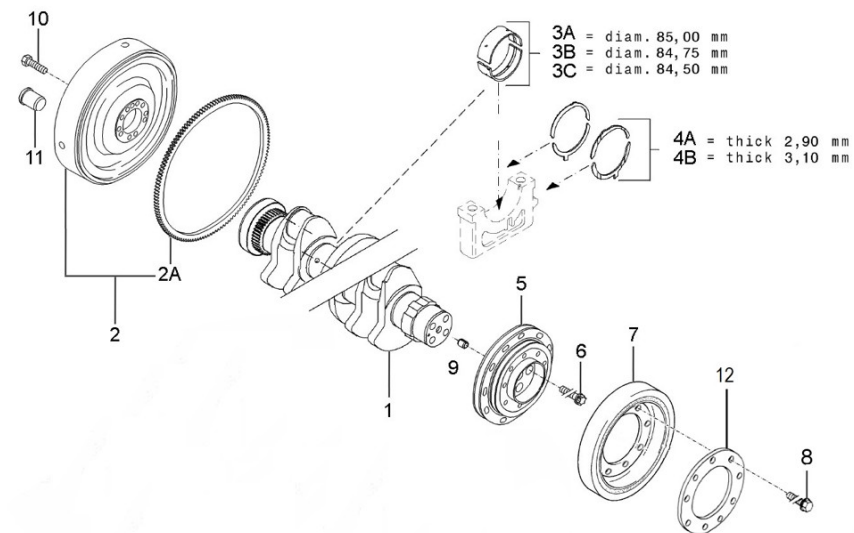
D_SD28_1_8 Piston & Connectiong Rod

Fig.	Ref.	Qty.	Descr.	Obs	From	UpTo
1	19422012	6	Connecting Rod			
2	19422033	6	BIG END Bush			
3	19422013	12	Bolt,connecting rod			
4	19422009	12	ClampING Bush			
5A	19622014.1	6	BIG END Bearing Std.			
5B	19622015.1	0	BIG END Bearing -0,25	#		
5C	19622016.1	0	BIG END Bearing -0,50	#		
6	19622001	6	Piston			
6A	19422006G.1	6	Set of Pist. Rings			
6B	19422011.1	6	Piston Pin			
6C	19422010	12	CIRClip			



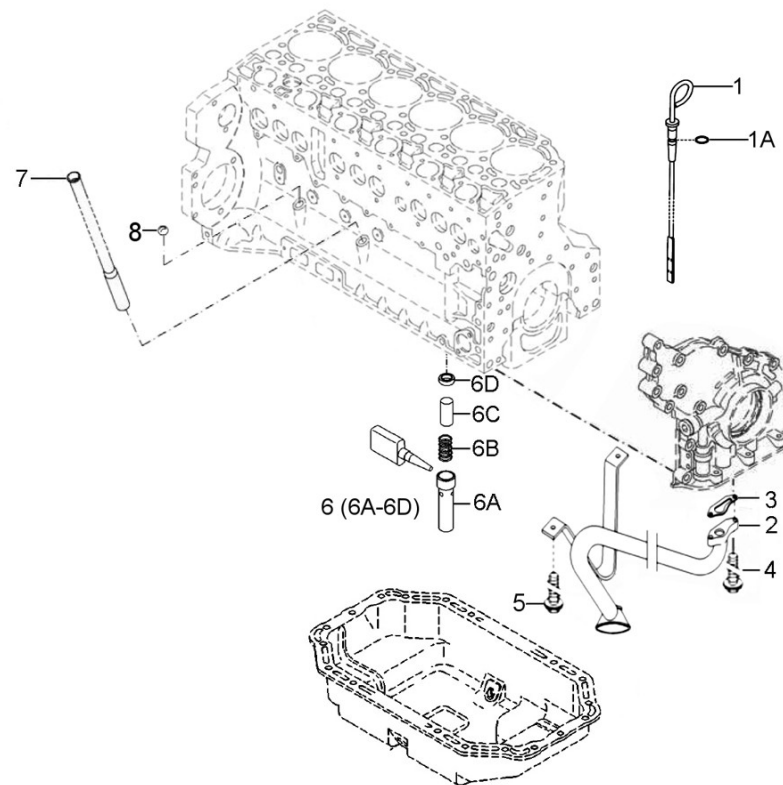
D_SD28_1_9 Crankshaft & Flywheel

Fig.	Ref.	Qty.	Descr.	Obs	From	UpTo
1	19522018	1	Crankshaft			
2	19422027	1	Flywheel			
2A	19422029.1	1	Gear RIM			
3A	19420003	7	Bearing Set STD.			
3B	19420004	0	Bearing Set -0,25	#		
3C	19420005	0	Bearing Set -0,50	#		
4A	19420109	14	THRUST Washer Std.			
4B	19420105	0	THRUST Washer	#		
5	19622025	1	C-Grooved Pulley			
6	19422040	4	Bolt			
7	19522034	1	Damper			
8	19622026.1	9	BOLT			
9	19422036	1	ClampING Bush			
10	19422031	10	HEXAGON Bolt			
11	19422037	5	Plug			
12	19622026.2	1	WASHER			

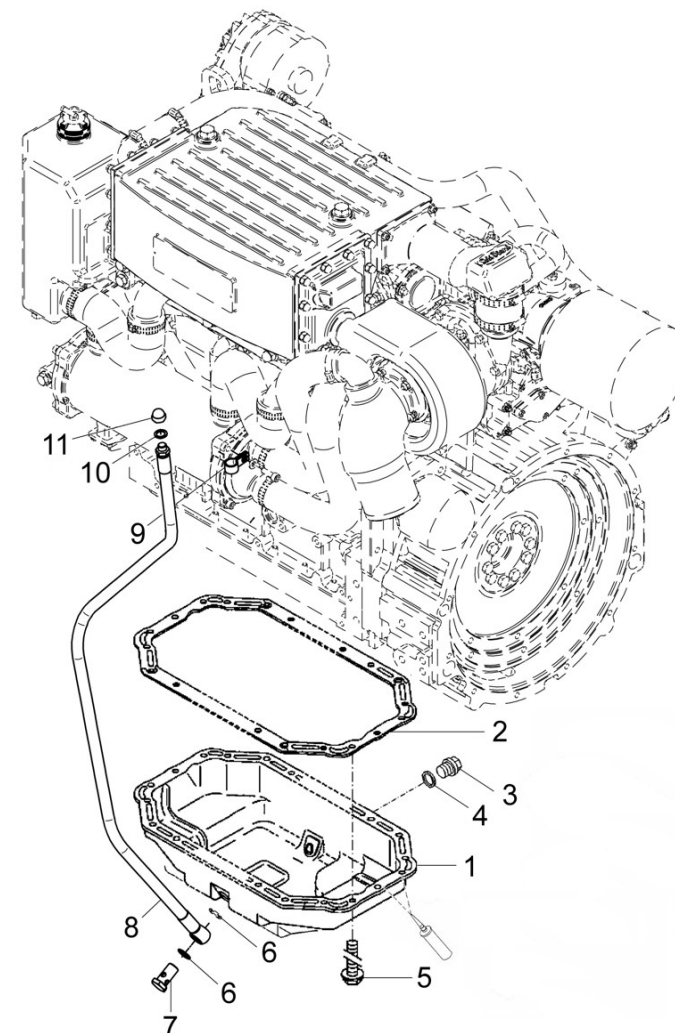


D_SD28_1_10 Oil Sysem

Fig.	Ref.	Qty.	Descr.	Obs	From	UpTo
1	19620029.1	1	Gauge Oil Level			
1A	19620029.2	1	O-Ring			
2	19624052	1	Oil Suction Pipe			
3	19424056.1	1	Gasket			
4	19424006	2	HEXAGON Bolt			
5	19420036	2	Screw			
6	19420040	1	Valve Assy			
6A	19420043	1	SLEEVE			
6B	19420041	1	COMPRESSION Spring			
6C	19420042	1	Valve Plunger			
6D	19420044	1	Ring			
7	19620027	1	Guide Tube			
8	19620028	1	Ball			

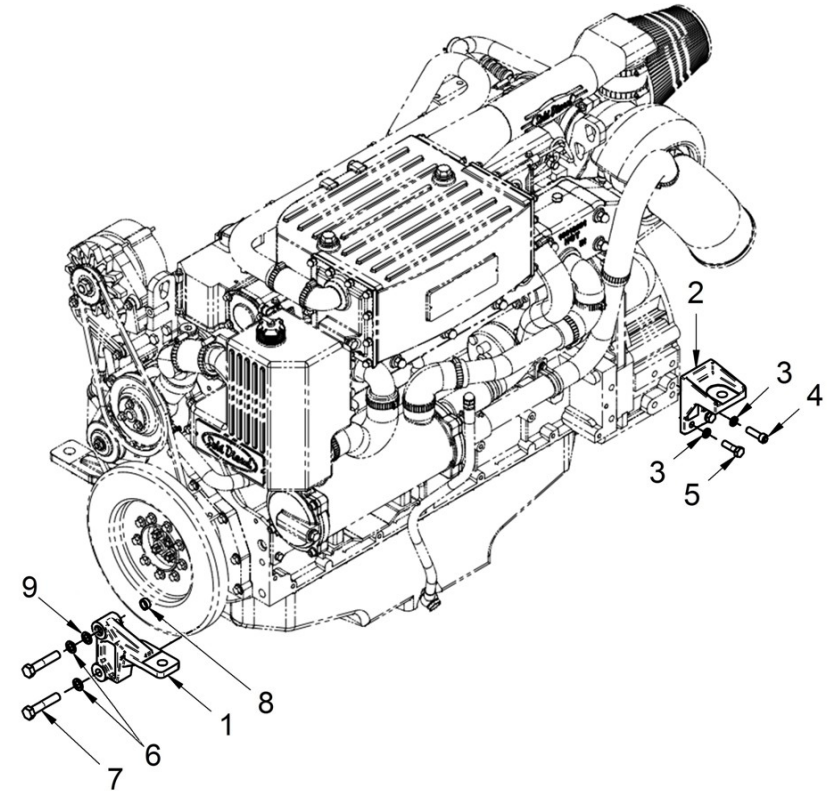


D_SD28_1_11		Oil Pan			
Fig.	Ref.	Qty.	Descr.	Obs	From UpTo
1	19520030	1	Oil Pan		
2	19520033	1	Gasket		
3	19420031	2	Plug		
4	19420032.1	3	Gasket		
5	19420036	34	Screw		
6	56000077	2	Washer 18-23-1,5		
7	16514022	1	Coupling,screw 18x150		
8	16514021	1	ExtraCTION Hose		
9	18014022	1	Bracket,pipe		
10	56000069	2	Washer 14-20-1,5		
11	16514020	1	Plug		
NS	19420035	1	SAFETY/LOCK.AGENT		



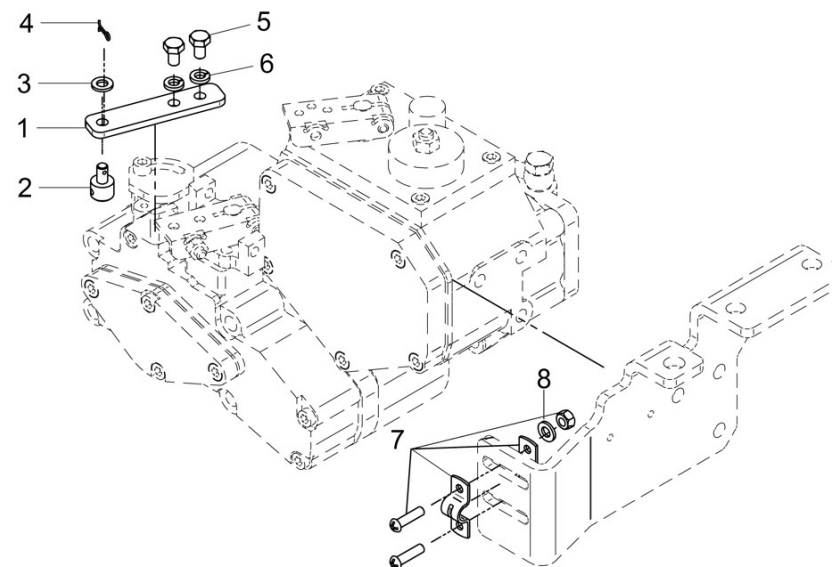
D_SD28_1_12 Engine Brackets

Fig.	Ref.	Qty.	Descr.	Obs	From	UpTo
1	19410001	2	Bracket,Front			
2	19410002	2	Bracket,REAR			
3	53033012	8	Washer Grower DIN 127-12			
4	53103361	4	Bolt DIN 912 M12-40 12.9			
5	53101361	4	Bolt DIN 931 M12-40 12.9			
6	53033016C	4	Washer			
7	53101469	4	Bolt DIN 931 M16-80 12.9			
8	19410004	2	Bushing			
9	51035016	2	Washer DIN 433 M16			

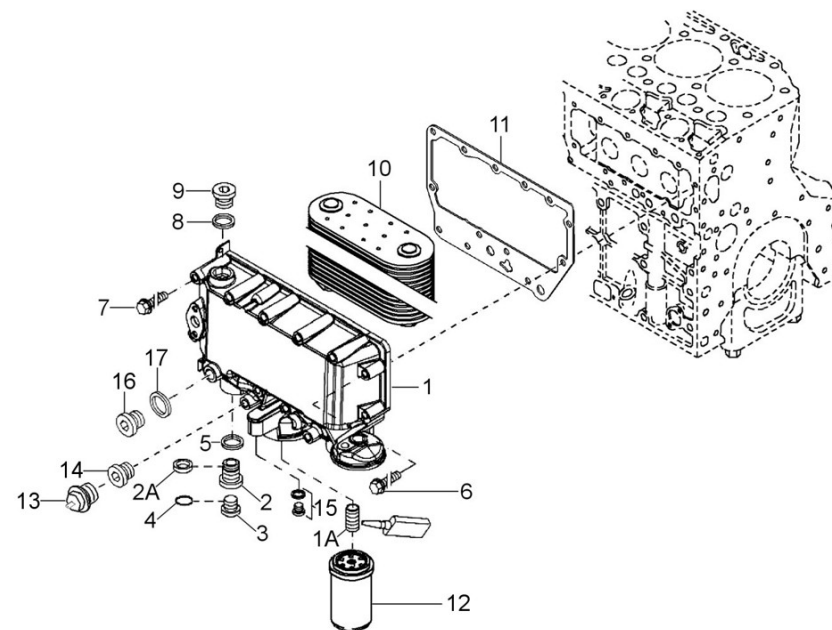


D_SD17_1_13 Bracket, Engine Control

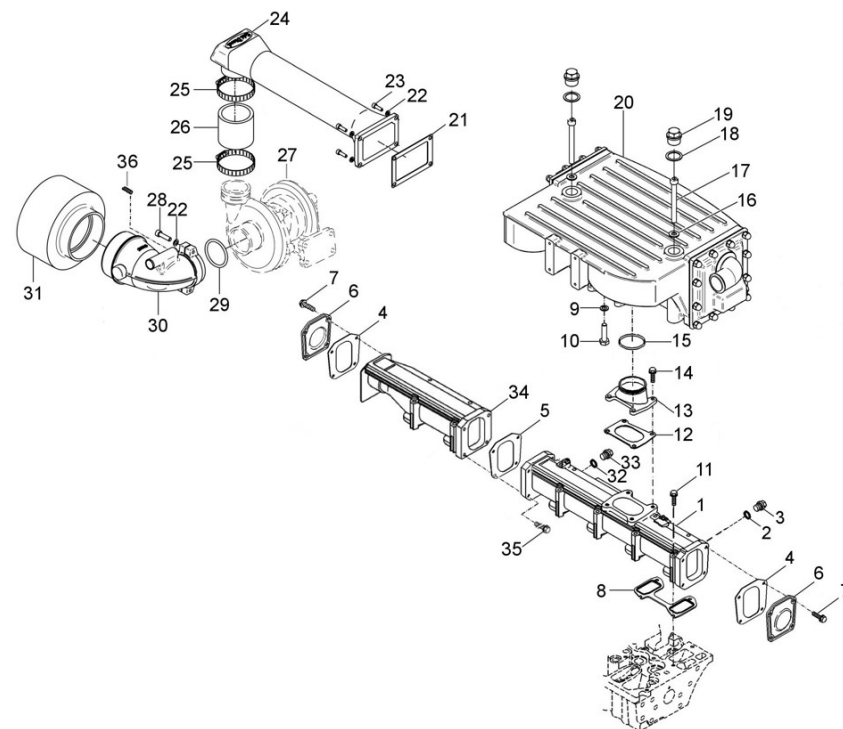
Fig.	Ref.	Qty.	Descr.	Obs	From	UpTo
1	19419002	1	Lever Morse			
2	14719115	1	Coupling,cable			
3	51030006	1	Washer DIN 125-6			
4	51051107	1	Pin DIN-94 1,6-16			
5	52102154	2	Bolt DIN 933 M6-10 8.8			
6	53033006	2	Washer GROWER DIN 127-6			
7	24810913	1	Clamp,CABLE			
8	51031005	2	Washer DIN 9021 5			



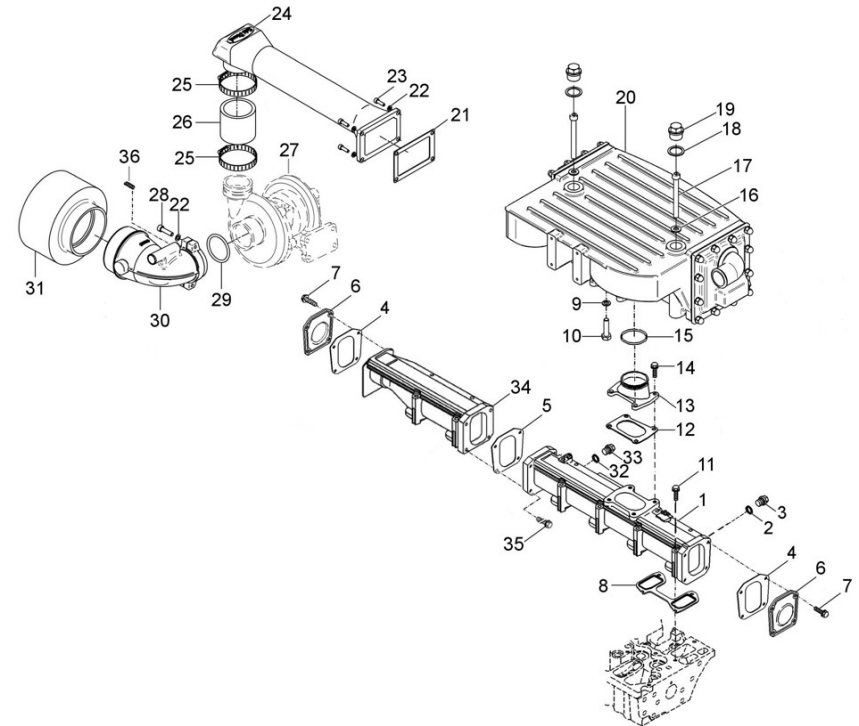
D_SD28_1_14		Oil Cooler				
Fig.	Ref.	Qty.	Descr.	Obs	From	UpTo
1	19422110.1	1	Oil Cooler Box			
1A	19422114	1	Bush			
2	19422111	1	COLLAR Screw			
2A	19422115	1	Sealing Ring			
3	19422112	1	Plug			
4	19422113	1	O-Ring			
5	19422118	1	Sealing Ring			
6	19422120	3	HEXAGON Bolt			
7	19422124	10	HEXAGON Bolt			
8	19421019	1	Sealing Ring			
9	19422125	1	Screw Plug			
10	19622117	1	Oil Cooler			
11	19424084	1	Gasket			
12	19424051	1	Oil Filter Element SDZ 165/205/280			
13	60900985	1	Pressure Sensor			
14	19417001	2	Plug			
15	19424088	1	Screw Plug			
16	19424081	1	Screw Plug			
17	19424082	1	Sealing Ring			
NS	19420045	1	SAFETY/LOCK.AGENT			



D_SD28_2_1		Inlet				
Fig.	Ref.	Qty.	Descr.	Obs	From	UpTo
1	19421080	1	CHARGE Air Pipe			
2	19420059G	1	Sealling Ring			
3	19420063	1	Screw Plug			
4	19421049	2	Gasket			
5	19421047	1	Gasket			
6	19621045	2	Cover			
7	19422122	8	HEXAGON Bolt			
8	19421063	3	Gasket			
9	53033008	2	Washer GROWER DIN 127-8			
10	52101312	2	Bolt DIN 931 M10-45 8.8			
11	19421012	12	HEXAGON Bolt			
12	19421034	1	Gasket		26/07/2019	
13	19410014	1	Adaptor			
14A	52102158	4	Bolt DIN 933 M6-25 8.8			
14B	51030006	4	Washer DIN 125-6			
14C	53033006	4	Washer GROWER DIN 127-6			
15	19421033	1	O-Ring D. 70X5 VITON			
16	56000061	2	Washer 10-16-1,5			
17	52103321.2	2	Bolt DIN 912 M10-92 8.8			
18	56000093	2	Washer 26-34-1,5			
19	51218759	2	Bolt DIN 910 M26X1.5			
20	19410016B	1	Air Cooler, Assy			
21	19410018	1	Gasket			01/08/2019
21	LOCT5900.50	1	LOCTITE 5900 50ml		01/08/2019	
22	53038008	6	Washer DIN 6798-A 8			
23	52103257	4	Bolt DIN 912 M8-20 8.8			
24	19610017	1	Turbocharger, Adaptor			
25	54082070	1	Clamp DIN 3017 70-90/12 W4		31/12/1899	28/09/2019
25	54083085	2	GP Clamp 79-85 W4 STC		29/09/2019	
26	19610014	1	Hose			
27	19628012.1	1	Turbocharger, Assy			

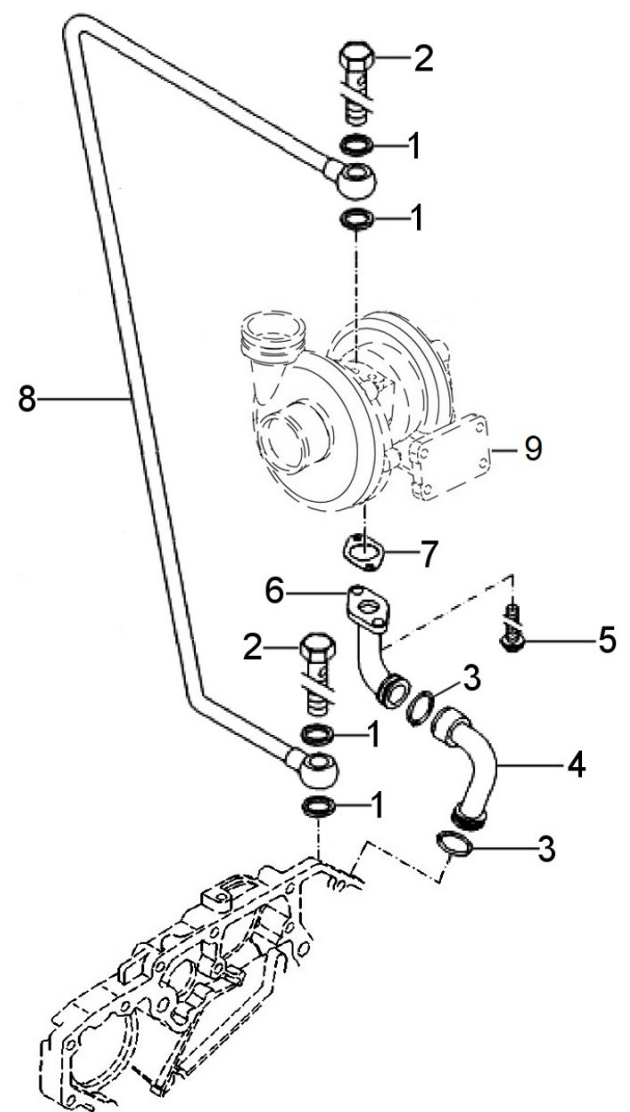


D_SD28_2_1 Inlet						
Fig.	Ref.	Qty.	Descr.	Obs	From	UpTo
28	52103259	2	Bolt DIN 912 M8-30 8.8			
29	19610021	1	O-Ring D. 90X4 VITON			
30	19610015	1	Bracket, Air Filter			
31	19410013	1	Air Filter			24/11/2016
31	19410032	1	Air Filter		25/11/2016	
32	19424087	1	Sealing Ring			
33	19424086	1	Screw Plug			04/12/2019
34	19521081	1	CHARGE Air Pipe			
35	19521046	4	Screw			
36	52111253	1	ROD DIN 913 M8-8 8.8		04/04/2018	06/06/2022
36	52111255	1	ROD DIN 913 M8-12 8.8		06/06/2022	
NS	17111060	1	Plate "SOLE Diesel"			
NS	17111062	2	Bolt			



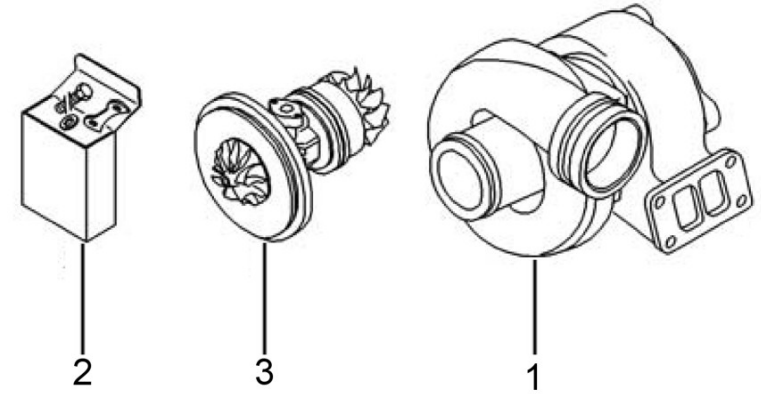
D_SD28_2_2 Turbocharger

Fig.	Ref.	Qty.	Descr.	Obs	From	UpTo
1	19421016	4	SeallNG Ring			
2	19424066	2	Screw			
3	19428063	2	SeallNG Ring			
4	19428016	1	Return Line			
5	19420163	2	Screw			
6	19628011	1	Return Line			
7	19428062	1	Gasket			
8	19428017	1	Lubricat. Oil Line			
9	19628012.1	1	Turbocharger, Assy			
NS	19420113	1	Lubricant			



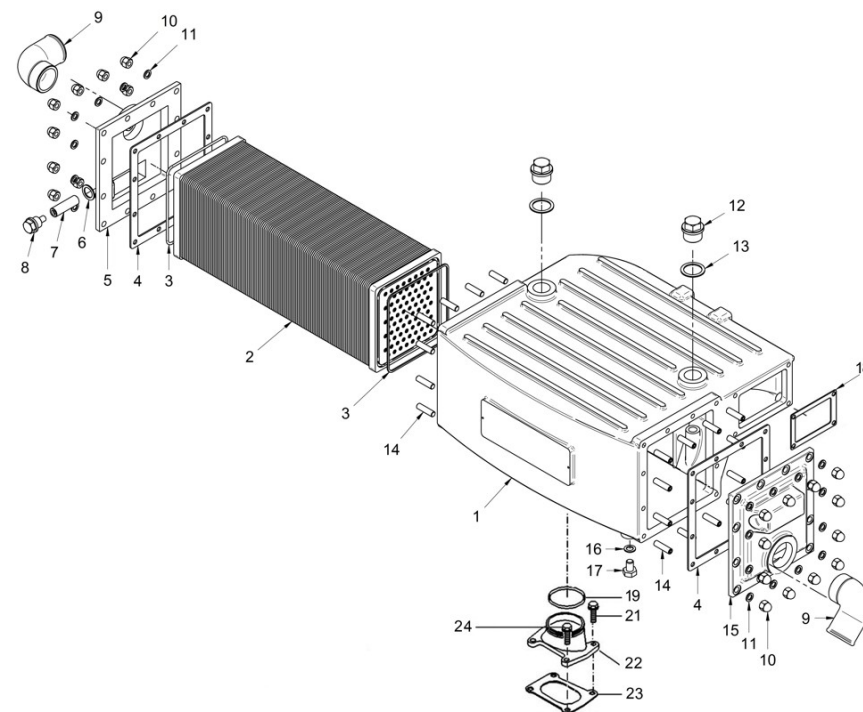
D_SD28_2_3 Spare Parts, Turbocharger

Fig.	Ref.	Qty.	Descr.	Obs	From	UpTo
1	19628012.1	1	Turbocharger, Assy			
2	19628012.1B	1	REPAir Kit, TURBO			
3	19628012.1A	1	CORE Assembly, TURBO			



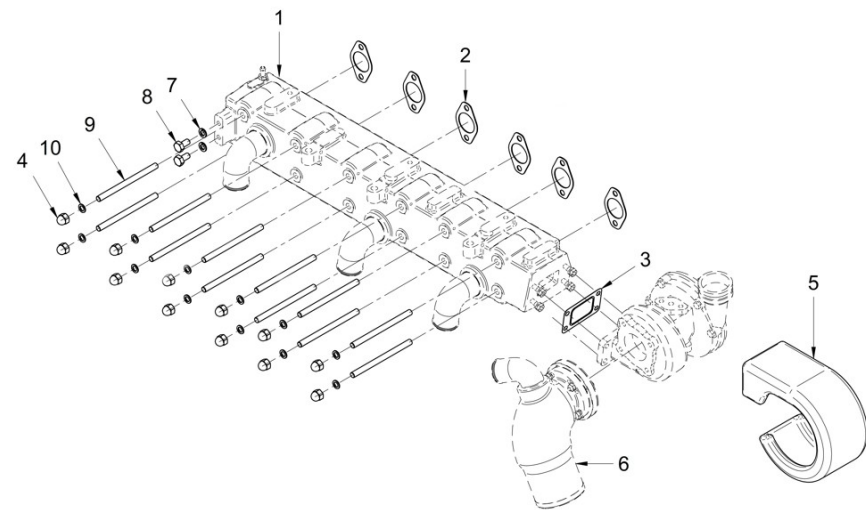
D_19410016R Spare SDZ-165/280 Intercooler Kit

Fig.	Ref.	Qty.	Descr.	Obs	From	UpTo
1	19410016.10B	1	Housing			
2	19410016.40	1	Heat Exchanger InterCooler			
3	19410016.12	2	O-Ring INTERCooler			
4	19410016.7B	2	Gasket			
5	19410016.8	1	Intercooler cover, Preinstallation Anode			
6	56000073	1	Copper Washer 16-23-1,5			
7	18011031	1	Engine Anode 45 mm M.8			
8	18011009	1	Anode Plug			
9	16511009	2	Elbow			
10	55122008	24	Nut DIN 1587 M8			
11	56000057	24	Washer 8-13-1,5			
12	51218759	2	Bolt DIN 910 M26X1.5			
13	56000093	2	Washer 26-34-1,5			
14	52111259	24	ROD DIN 913 M8-30 8.8			
15	19410016.9	1	Cover			
16	56000061	2	Washer 10-16-1,5			
17	52102306	1	Bolt DIN 933 M10-15 8.8			
18	19410018	1	Gasket			08/01/2019
18	LOCT5900.50C	1	LOCTITE 5900 50 ml			08/01/2019
19	19421033	1	O-Ring D. 70X5 VITON			
21A	51030006	4	Washer DIN 125-6			
21B	52102158	4	Bolt DIN 933 M6-25 8.8			
21C	53033006	4	Washer GROWER DIN 127-6			
22	19410014	1	Adaptor			
23	19421034	1	Gasket			



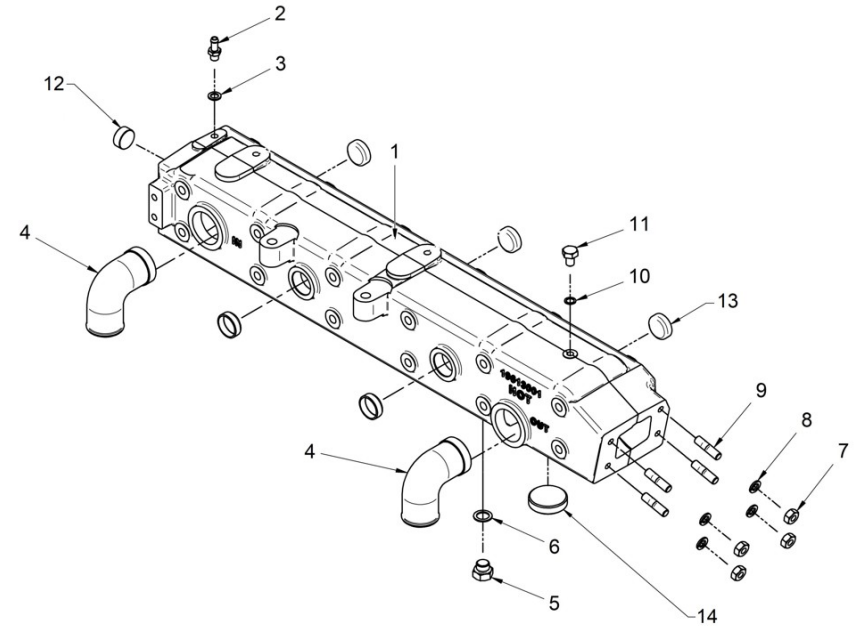
D_SD28_2_4 Exhaust Manifold

Fig.	Ref.	Qty.	Descr.	Obs	From	UpTo
1	19613000	1	Manifold,Assy			
2	19421181.2	6	Gasket			
3	19421183.4	1	Gasket			
4	13511013	12	Nut DIN 1587 M10			
5	19118010	1	Termic,bucklers			
6	19613015	1	Elbow,Wet Exhaust			
7	53038010	2	Washer DIN 6798-A 10			
8	52102308	2	Bolt DIN 933 M10-25 8.8			
9	19513002	12	Stud			
10	56000061	12	Washer 10-16-1,5			



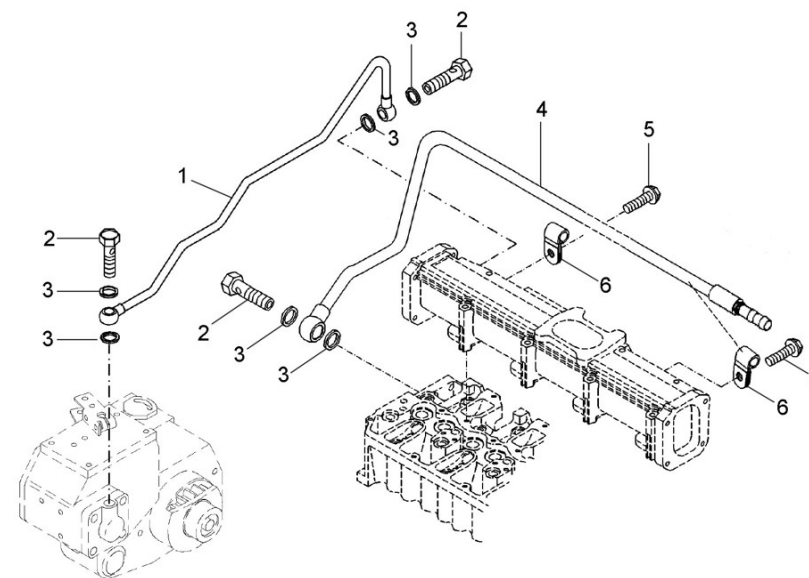
D_SD28_2_6 Manifold Assy

Fig.	Ref.	Qty.	Descr.	Obs	From	UpTo
1	19613001	1	Exhaust Manifold			
2	13814072	1	Straight Hose Connector 1/8" NPTF			
3	56000061	1	Washer 10-16-1,5			
4	19111015	2	Elbow 90° 1 1/2"			
5	12111076	1	Plug			
6	56000073	1	Copper Washer 16-23-1,5			
7	52120010	4	Nut DIN 934 M10 8.8			
8	53033010	4	Washer GROWER DIN 127-10			
9	16511007	4	Stud			
10	56000011	1	Washer			
11	52102306	1	Bolt DIN 933 M10-15 8.8			
12	19613012	1	Plug			
13	19411035	5	Plug			
14	19011019	1	Plug			



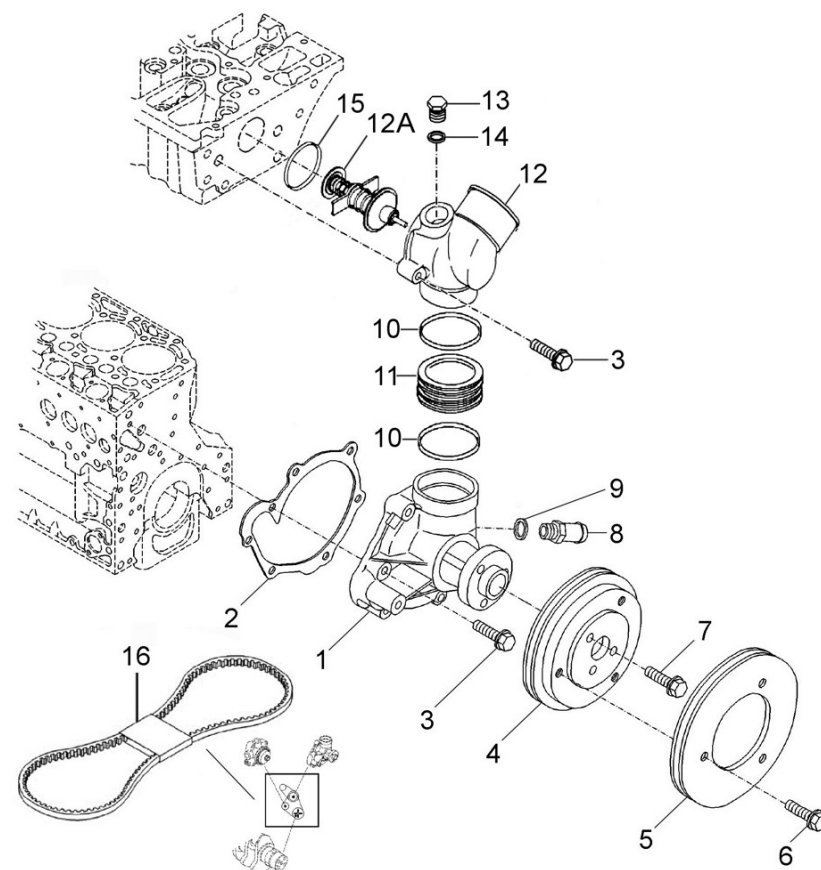
D_SD28_2_5 Breather Line

Fig.	Ref.	Qty.	Descr.	Obs	From	UpTo
1	19421090.1	1	Inlet MANIFOld			
2	19421091.1	3	Screw			
3	19624087	6	Sealing Ring			
4	19621092	1	Breather Line			
5	19428054	3	Screw			
6	19428055	3	Pipe Clamp			

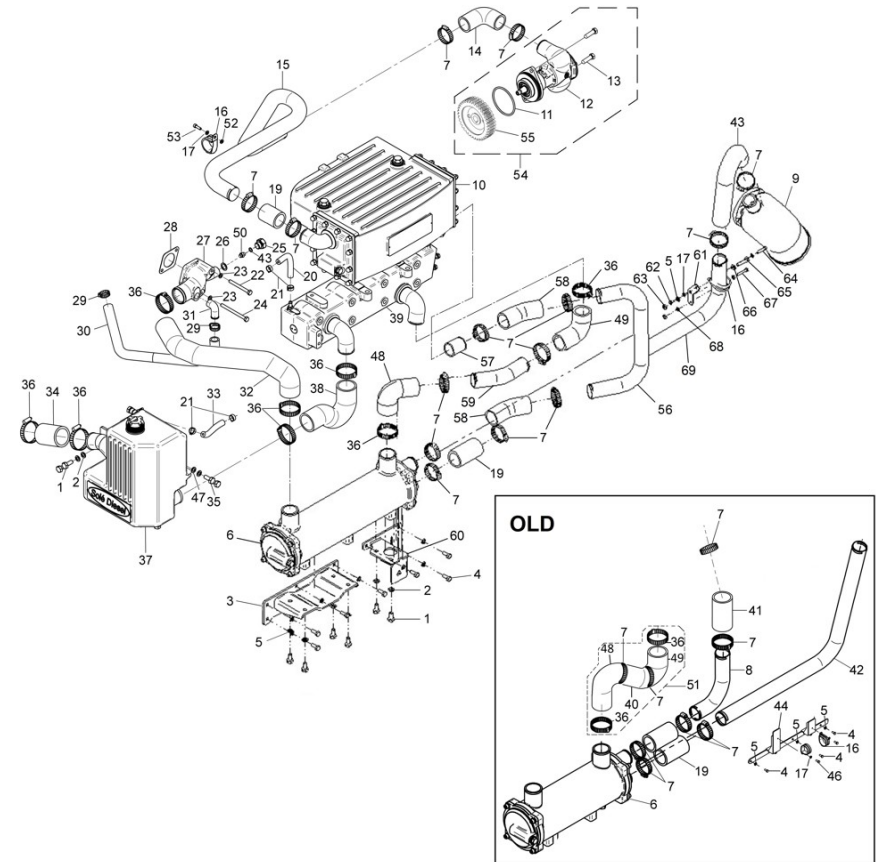


D_SD28_3_1 Water Pump

Fig.	Ref.	Qty.	Descr.	Obs	From	UpTo
1	19521041	1	Fresh Water Pump			
2	19421040	1	Flat Gasket			
3	19420027	11	Screw			
4	19421086.1	1	Pulley			
5	19621087	1	V-Grooved Pulley			
6	19621088	3	Screw			
7	19420036	3	Screw			
8	19414002	1	Fuel Coupling			
9	19424064	1	Sealing Ring			
10	19421044	2	O-Ring			
11	19421042	1	Plug			
12	19521093	1	Thermostat			
12A	19521029	1	Thermostat			
13	19420165	1	VENT Plug			
14	19624087	1	Sealing Ring			
15	19421041	1	O-Ring			
16	17117020	1	Belt Type SPAX 1060			

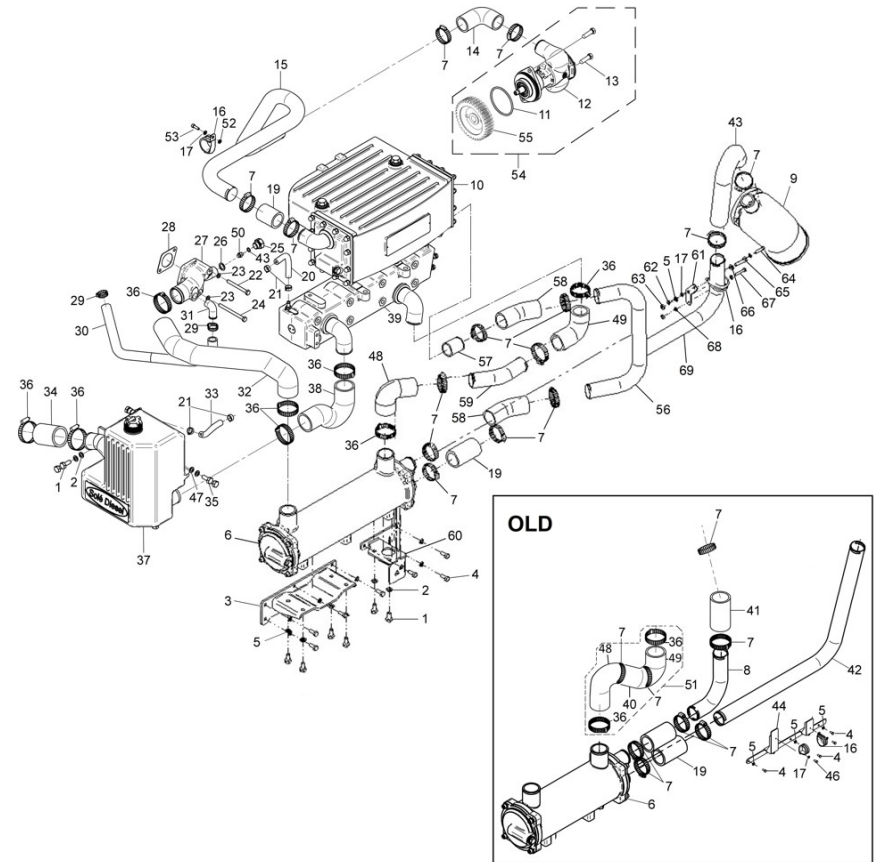


D_SD28_3_2 Cooler Pipes					
Fig.	Ref.	Qty.	Descr.	Obs	UpTo
1	52102307	8	Bolt DIN 933 M10-20 8.8		
2	53033010	8	Washer GROWER DIN 127-10		
3	19511014	1	Bracket,cooler		
4	52102257	7	Bolt DIN 933 M8-20 8.8		
5	53033008	8	Washer GROWER DIN 127-8		
6	19411000R	1	Water Cooler Assy SDZ-165/205/280		31/12/2022
6	19611000R	1	Water Cooler Assy SDZ-280 (R)	01/01/2023	
7	54082032	14	Clamp DIN 3017 32-50/12 W4		
8	19611017	1	Pipe		31/12/2022
9	19613015	1	Elbow,Wet Exhaust		
10	19410016	1	Air Cooler, Assy		
11	19420221	1	O-Ring D. 82X4 VITON		
12	39411000	1	Key Pump SDZ-165/205/280 Gr-109/165		
13	19424010	2	HEXAGON Bolt		
14	19411015	1	Elbow		
15	19611016	1	Pipe		
16	59071452	3	Clamp 1 42/15 W1		
17	51030006	6	Washer DIN 125-6		
19	19411045	3	Pipe 42-54-90		
20	19411041	1	Purge Hose		
21	54081008	4	Clamp DIN 3017 8-16 W4		
22	52101269	1	Bolt DIN 931 M8-80 8.8		
23	53038008	2	Washer DIN 6798-A 8		
24	52101273	1	Bolt DIN 931 M8-100 8.8		
25	12111076	1	Plug		11/01/2022
25	60900988	1	Temperature Sensor	11/01/2022	
26	56000073	1	Copper Washer 16-23-1,5		
27	19411011	1	Cooler Water Inlet BEND		
28	19411010	1	Gasket		
29	54081020	2	Clamp DIN 3017 20-32/9 W4		
30	M87501927	1	Water Intake Hose (HQ) D. 19-27		



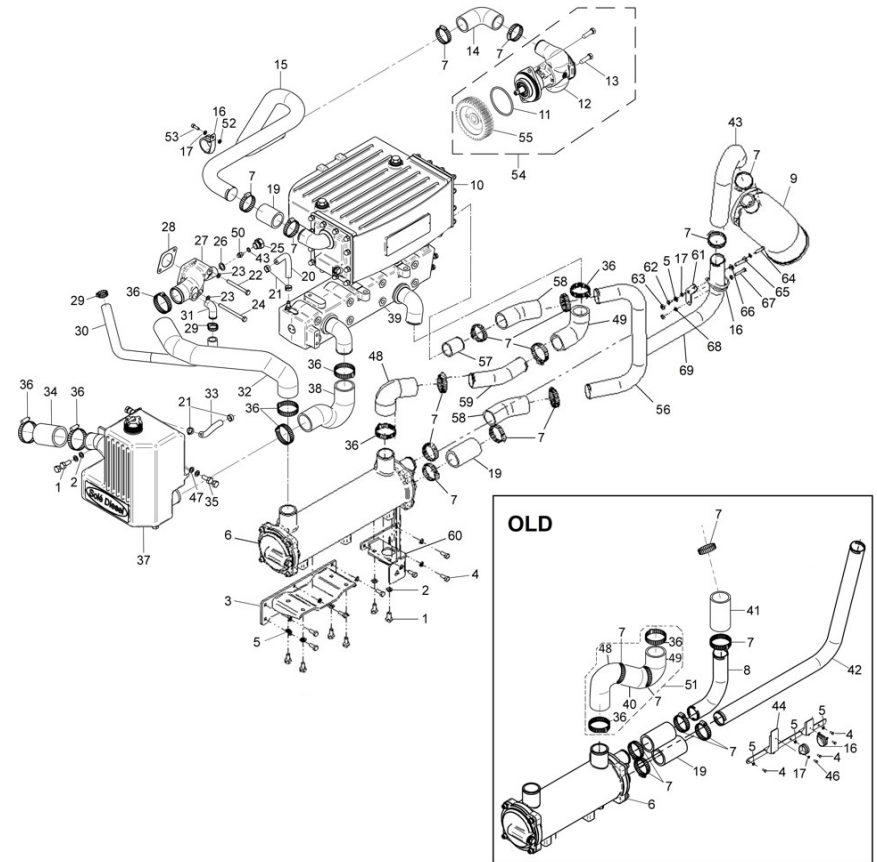
D_SD28_3_2 Cooler Pipes

Fig.	Ref.	Qty.	Descr.	Obs	From	UpTo
31	13211027	1	Water Inlet Bend			
32	19511020	1	Hose			
33	19411042	1	Hose			
34	19411043	1	Pipe 48-60-85			
35	52102308	2	Bolt DIN 933 M10-25 8.8			
36	54082040	8	Clamp DIN 3017 40-60/12 W4			
37	19411009	1	Expansion Tank			
38	19411019	1	Hose			
39	19613000	1	Manifold,Assy			
40	19611021	1	Hose			11/07/2019
40	19611070	1	Brass Tube D.42		11/07/2019	31/12/2022
41	19611020	1	Hose			31/12/2022
42	19611018	1	Pipe			31/12/2022
43	19511006	1	Rubber Pipe			
44	19611019	1	Bracket			31/12/2022
45	56000069	1	Washer 14-20-1,5		11/01/2022	
46	52103156	2	Bolt DIN 912 M6-16 8.8			
47	53038010	2	Washer DIN 6798-A 10			
48	19611071	1	Hose		12/07/2019	
49	19611072	1	Hose 90° D.42		12/07/2019	
50	19417052	1	Sensor Adapter M14x1,5 a 5/8		11/01/2022	
51	19611021R	1	Hose		12/07/2019	31/12/2022
52	13817115	1	Spacer 6,5X15X10			
53	52103158	1	Bolt DIN 912 M6-25 8.8			
54	39411000A19	1	Key Pump SDZ-165/205/280 GR-109/165, KIT			
55	19421124	1	Toothed Gear			
56	19611041	1	Pipe		01/01/2023	
57	19411048	1	Coupling		01/01/2023	
58	19611043	2	Elbow Hose		01/01/2023	
59	19611045	1	Pipe		01/01/2023	
60	19611044	1	Cooler Bracket		01/01/2023	



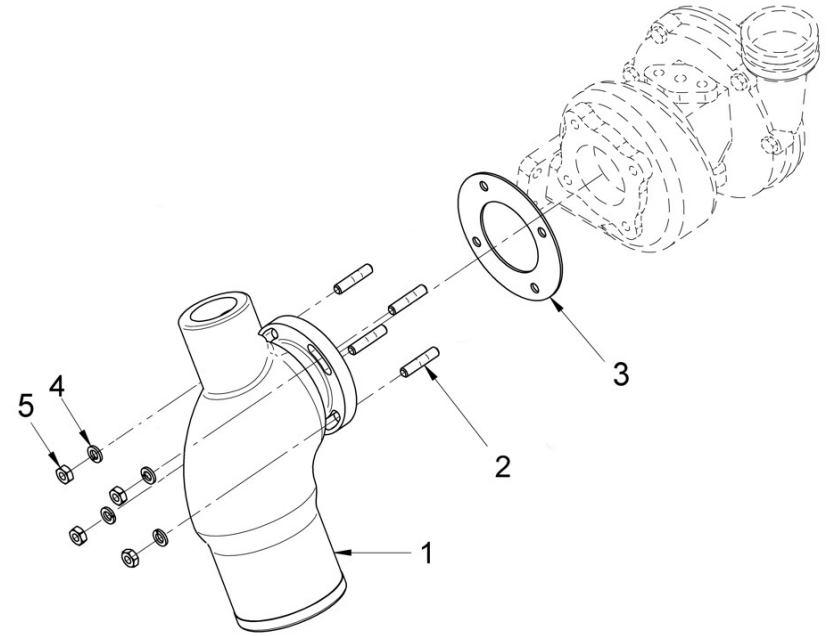
D_SD28_3_2 Cooler Pipes

Fig.	Ref.	Qty.	Descr.	Obs	From	UpTo
61	19611040	1	Pipe Bracket		01/01/2023	
62	52120006	2	Nut DIN 934 M6 8.8		01/01/2023	
63	52120008	1	Nut DIN 934 M8 8.8		01/01/2023	
64	52103159	1	Bolt DIN 912 M6-30 8.8		01/01/2023	
65	52102260	1	Bolt DIN 933 M8-35 8.8		01/01/2023	
66	51030008	1	Washer DIN 125-8		01/01/2023	
67	52102160	1	Bolt DIN 933 M6-35 8.8		01/01/2023	
68	53033006	1	Washer GROWER DIN 127-6		01/01/2023	
69	19611042	1	Pipe		01/01/2023	



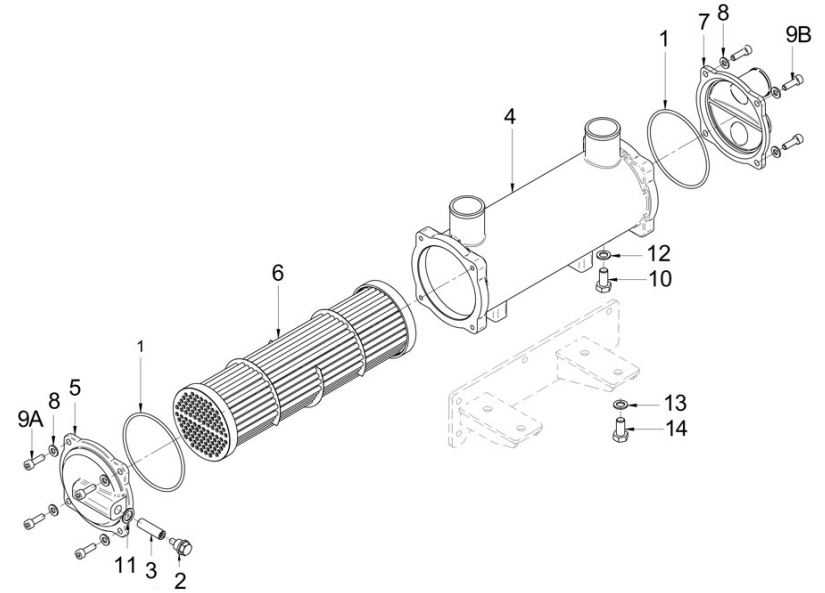
D_SD21_3_3 Wet Exhaust

Fig.	Ref.	Qty.	Descr.	Obs	From	UpTo
1	19613015	1	Elbow,Wet Exhaust			
2	19613016	4	Turbo Stud M8-M10			
3	19613013	1	Gasket			
4	53033010	4	Washer GROWER DIN 127-10			23/05/2017
5	51125008	4	Nut Exhaust			



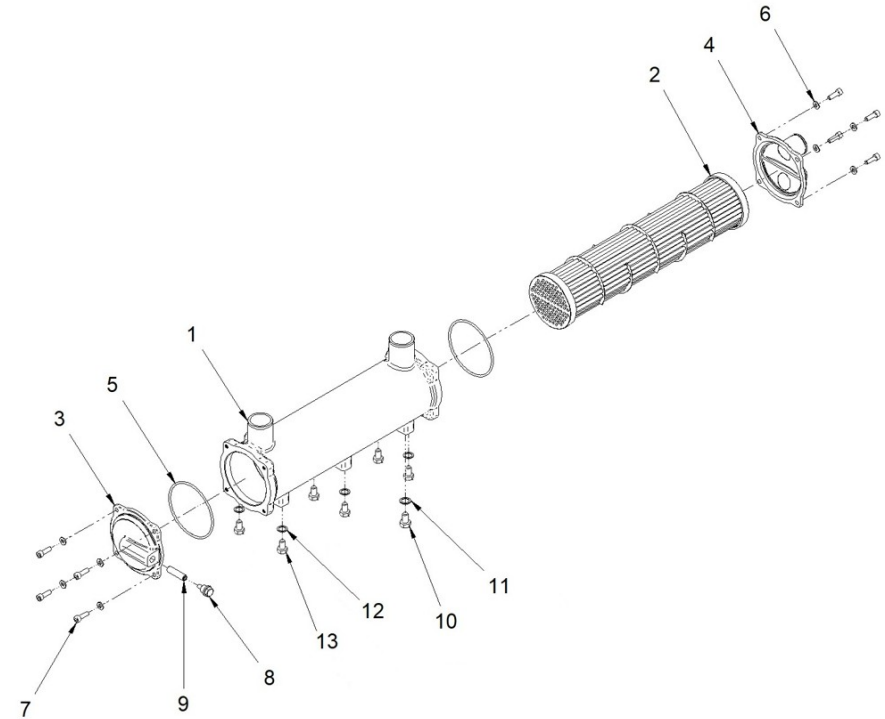
D_19411000R Water Cooler Assy SDZ-165/205/280

Fig.	Ref.	Qty.	Descr.	Obs	From	UpTo
1	16711007	2	O-Ring D. 116X4			
2	18011009	1	Anode Plug			
3	18011031	1	Engine Anode 45 mm M.8			
4	19411001	1	Body, Water Cooler			
5	19411003	1	Water Cooler Cover			
6	19411004	1	Tubular Bundle			
7	19411006	1	Water Cooler Cover			
8	51030008	8	Washer DIN 125-8			
9A	52103257	7	Bolt DIN 912 M8-20 8.8			
9B	52103258	1	Bolt DIN 912 M8-25 8.8			
10	54102356	1	Bolt DIN 933 M12-16 INOX.			
11	56000073	1	Copper Washer 16-23-1,5			
12	56000115	1	Washer 12-20-2			
13	53033010	4	Washer GROWER DIN 127-10			
14	52102307	4	Bolt DIN 933 M10-20 8.8			



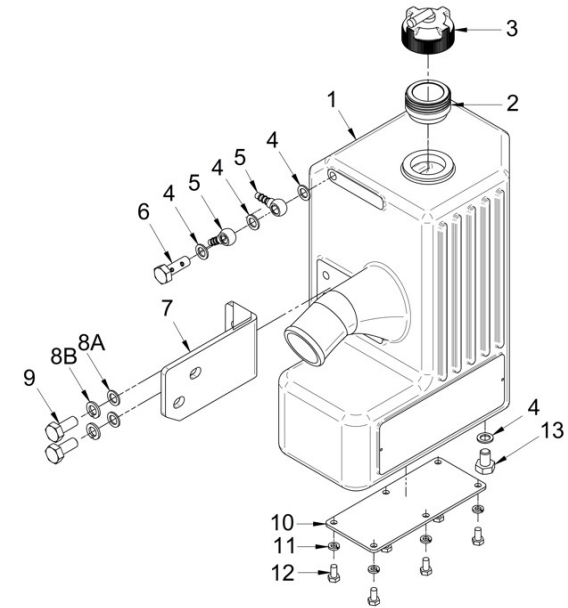
D_19611000R Water Cooler Assy SDZ-280 (R)

Fig.	Ref.	Qty.	Descr.	Obs	From	UpTo
1	19611001	1	Body, Water Cooler			
2	19611004	1	Tubular Bundle			
3	19411003	1	Water Cooler Cover			
4	19411006	1	Water Cooler Cover			
5	16711007	2	O-Ring D. 116X4			
6	51030008	8	Washer DIN 125-8			
7	52103258	8	Bolt DIN 912 M8-25 8.8			
8	18011009	1	Anode Plug			
9	18011031	1	Engine Anode 45 mm M.8			
10	52102357	1	Bolt DIN 933 M12-20 8.8			
11	56000073	1	Copper Washer 16-23-1,5			
12	53033010	6	Washer GROWER DIN 127-10			
13	52102307	6	Bolt DIN 933 M10-20 8.8			



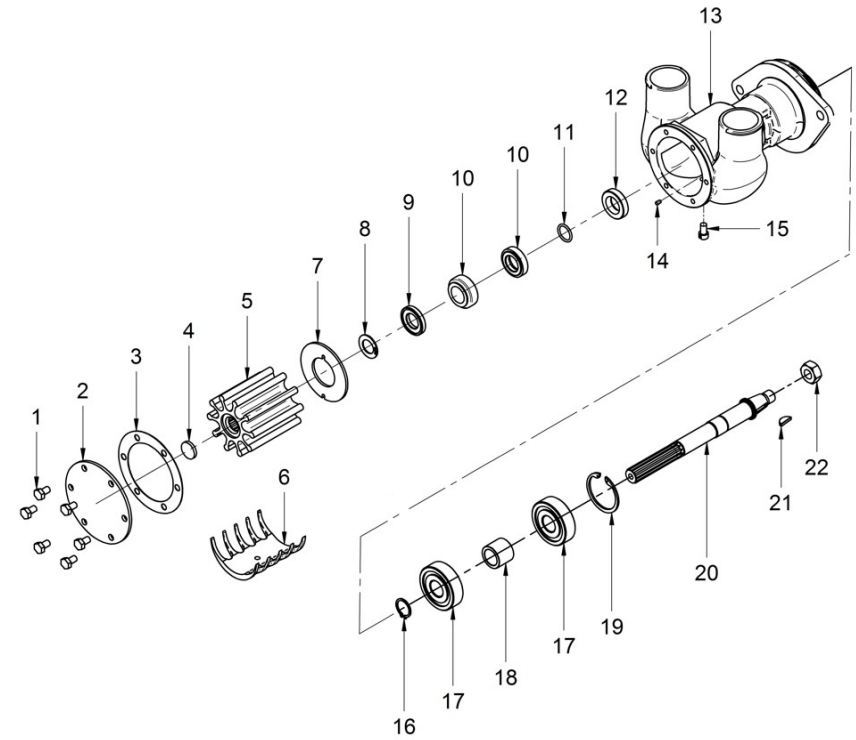
19411009 Expansion Tank

Fig.	Ref.	Qty.	Descr.	Obs	From	UpTo
1	19411009.1	1	Expansion Tank, Body			
2	17411004	1	Adapter, MTA Cap			
3	13811010	1	Cap			
4	56000061	4	Washer 10-16-1,5			
5	17614016	2	COLLAR,Union			
6	19411040	1	1/8" GAS HOLLOW Screw			
7	19411009.2	1	Bracket			
8A	51030010	2	Washer DIN 125-10			
8B	53033010	2	Washer GROWER DIN 127-10			
9	52102307	2	Bolt DIN 933 M10-20 8.8			
10	18211002	1	Cover			
11	53033006	6	Washer GROWER DIN 127-6			
12	52102155	6	Bolt DIN 933 M6-12 8.8			
13	52102306	1	Bolt DIN 933 M10-15 8.8			

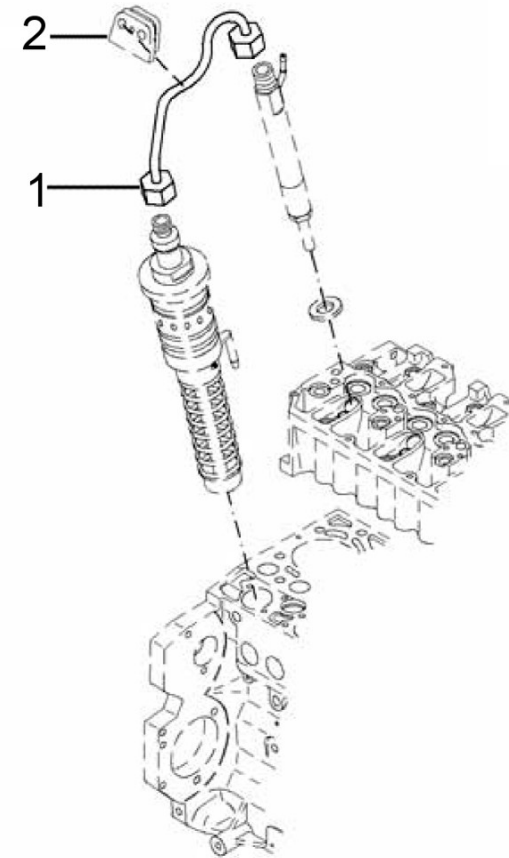


39411000 Key Pump SDZ-165/205/280 Gr-109/165

Fig.	Ref.	Qty.	Descr.	Obs	From	UpTo
1	54102154	6	Bolt DIN 933 M6-10 INOX			
2	34711002	1	Cover Pump			
3	34711003	1	Gasket Cover			
4	34711041	1	Impeller Plug			
5	39411008	1	1" L.68 Impeller			
6	39411005	1	Cam			
7	34711026	1	Plate,Friction			
8	54040016	1	CIRClip E-16			
9	36511018	1	Washer,seal			
10	36511019	1	Seal			
11	33311013	1	O-Ring D. 15X2			
12	36511020	1	Seal 16-30-7			
13	39411001	1	Body,Water Pump			
14	36511017	1	Pin,Dowel			
15	54108154	1	Bolt DIN 84 M6-10			
16	53040017	1	Circlip DIN 471 E-17			
17	18017083	2	Ball Bearing 6303-RDD			
18	39411015	1	Separator Bearings			
19	53041047	1	CIRClip DIN 472 I-47			
20	39411010	1	Shaft			
21	35111035	1	KEY DIN 6888 3-6,5-16 INOX			
22	54121012	1	Nut DIN 439 M12			

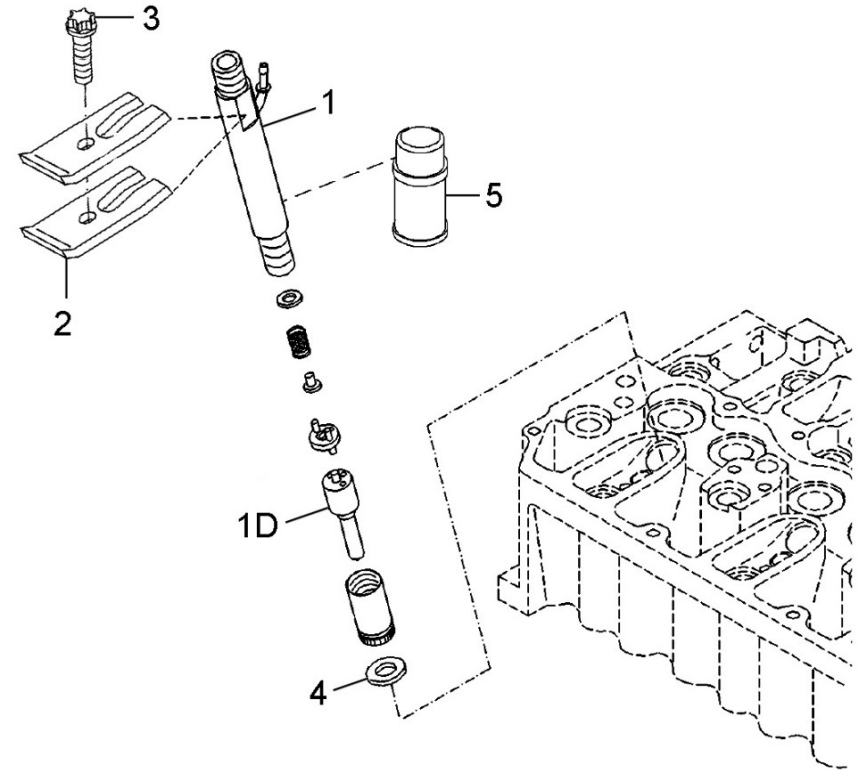


D_SD28_4_1		Fuel Pipe				
Fig.	Ref.	Qty.	Descr.	Obs	From	UpTo
1	19424052	6	Pipe Injection			
2	19421018	6	Rubber Seal			



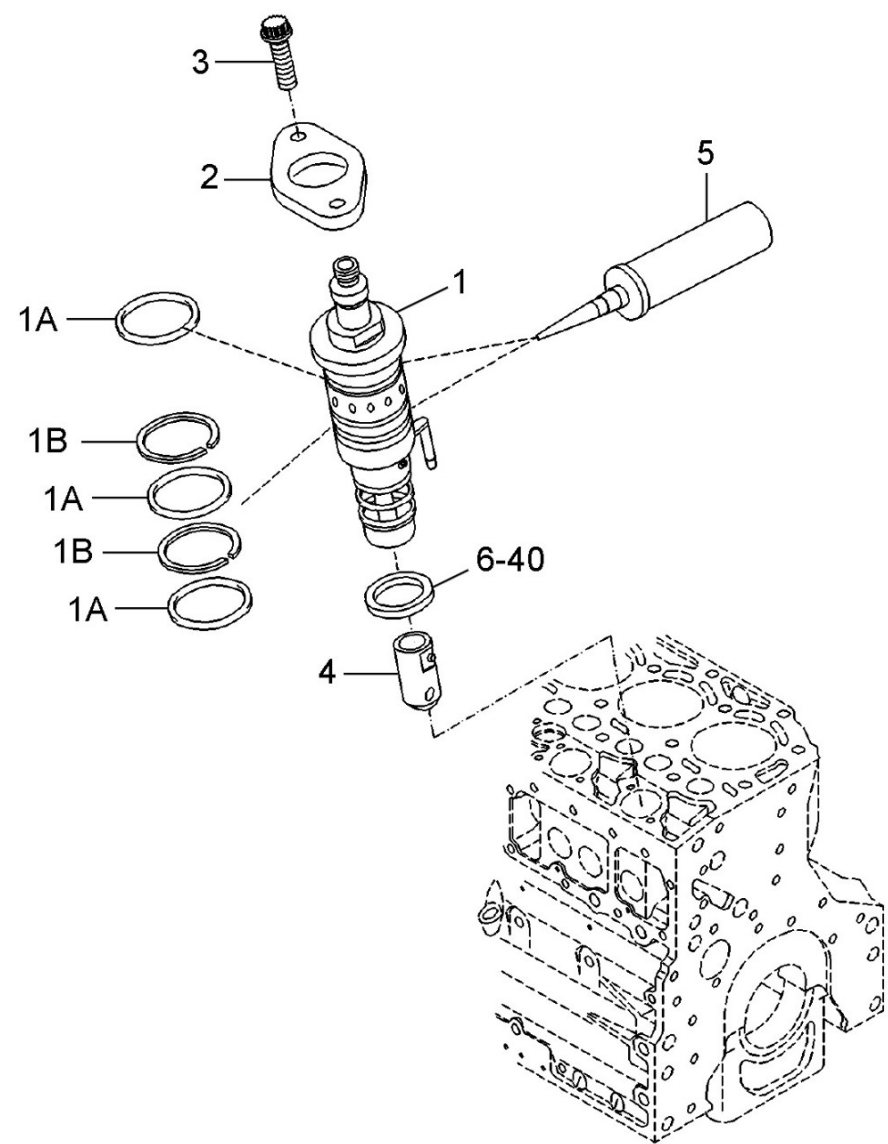
D_SD28_4_2 Injection Nozzle

Fig.	Ref.	Qty.	Descr.	Obs	From	UpTo
1	19626001	6	Fuel Injector			
1D	19426018G	6	Nozzle Element			
2	19426010	12	Flange			
3	19426011	6	Bolt			
4	19426012	6	Sealing Ring			
5	19426013	6	ANTI-RUST AGENT			



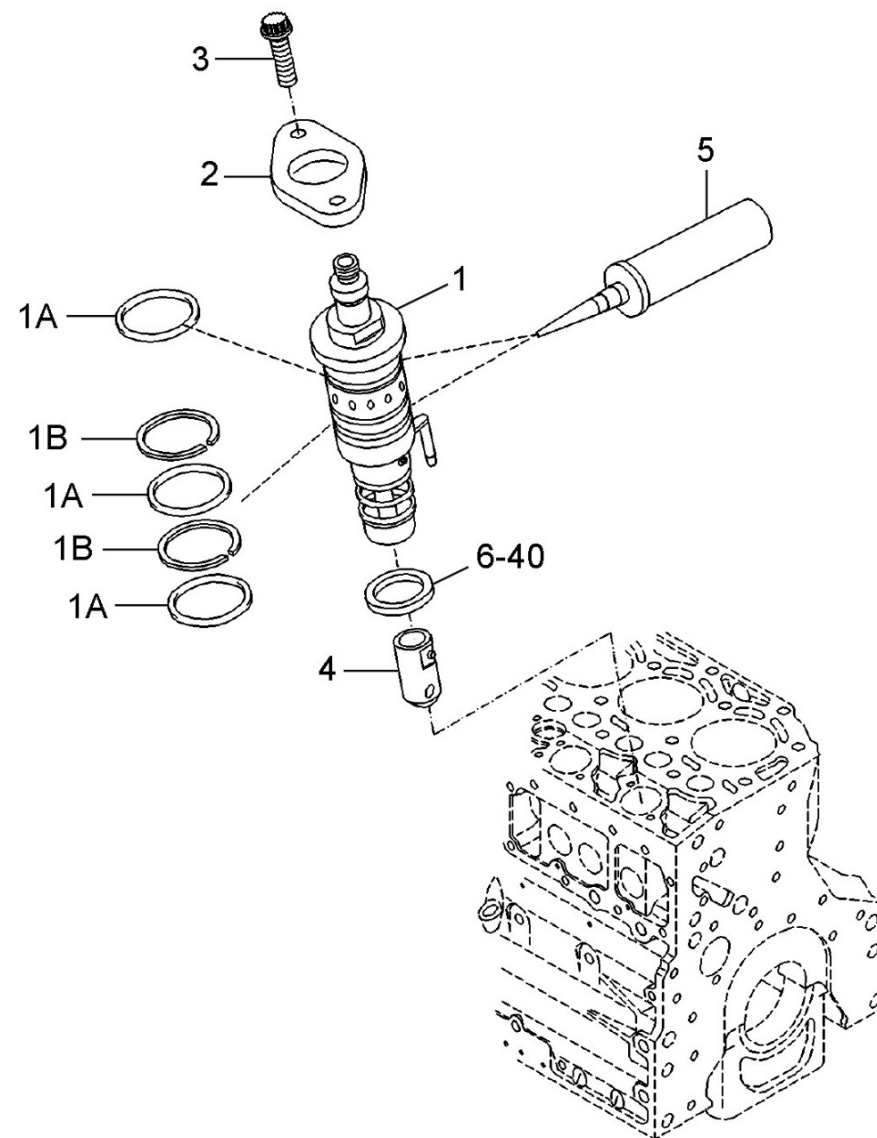
D_SD28_4_3 Fuel Injection Pump

Fig.	Ref.	Qty.	Descr.	Obs	From	UpTo
1	19425001	6	Pump Assy,Fuel Injection			
1A	19425002	18	O-Ring D. 40X3,5			
1B	19425003	12	Shim			
2	19420110	6	Flange			
3	19420111	12	COLLAR Screw			
4	19420090	6	Roller Tappet			
5	19420113	1	Lubricant			
6	19420112	0	Washer 1,0mm	#		
7	19420114	0	Washer 1,1mm	#		
8	19420115	0	Washer 1,2mm	#		
9	19420116	0	Washer 1,3mm	#		
10	19420117	0	Washer 1,4mm	#		
11	19420118	0	Washer 1,5mm	#		
12	19420119	0	Washer 1,6mm	#		
13	19420120	0	Washer 1,7mm	#		
14	19420121	0	Washer 1,8mm	#		
15	19420122	0	Washer 1,9mm	#		
16	19420123	0	Washer 2,0mm	#		
17	19420124	0	Washer 2,1mm	#		
18	19420125	0	Washer 2,2mm	#		
19	19420126	0	Washer 2,3mm	#		
20	19420127	0	Washer 2,4mm	#		
21	19420128	0	Washer 2,5mm	#		
22	19420129	0	Washer 2,6mm	#		
23	19420130	0	Washer 2,7mm	#		
24	19420131	0	Washer 2,8mm	#		
25	19420132	0	Washer 2,9mm	#		
26	19420133	0	Washer 3,0mm	#		
27	19420134	0	Washer 3,1mm	#		
28	19420135	0	Washer 3,2mm	#		
29	19420136	0	Washer 3,3mm	#		



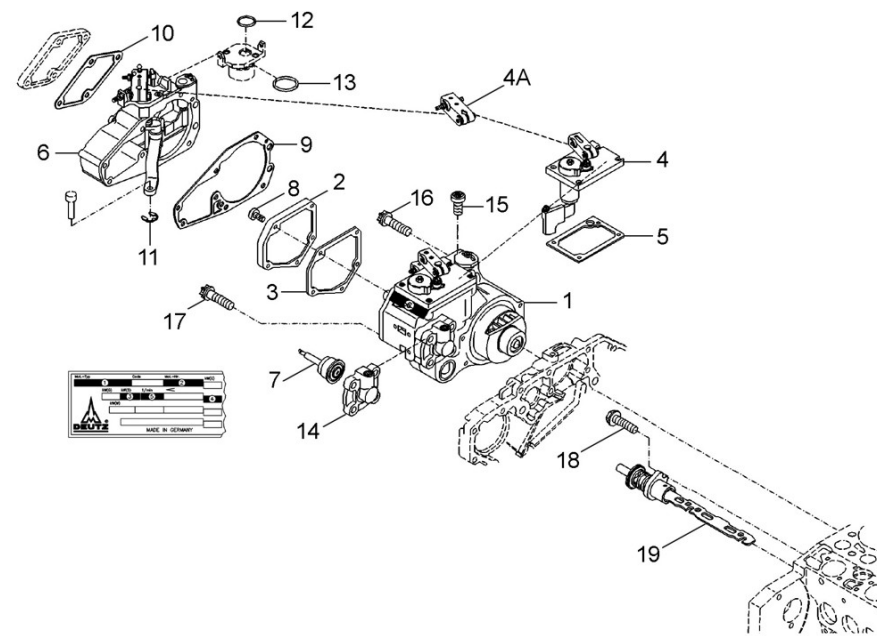
D_SD28_4_3 Fuel Injection Pump

Fig.	Ref.	Qty.	Descr.	Obs	From	UpTo
30	19420137	0	Washer 3,4mm	#		
31	19420138	0	Washer 3,5mm	#		
32	19420139	0	Washer 3,6mm	#		
33	19420140	0	Washer 3,7mm	#		
34	19420141	0	Washer 3,8mm	#		
35	19420142	0	Washer 3,9mm	#		
36	19420143	0	Washer 4,0mm	#		
37	19420144	0	Washer 4,1mm	#		
38	19420145	0	Washer 4,2mm	#		
39	19420146	0	Washer 4,3mm	#		
40	19420147	0	Washer 4,4mm	#		



D_SD28_4_4 Governor Parts

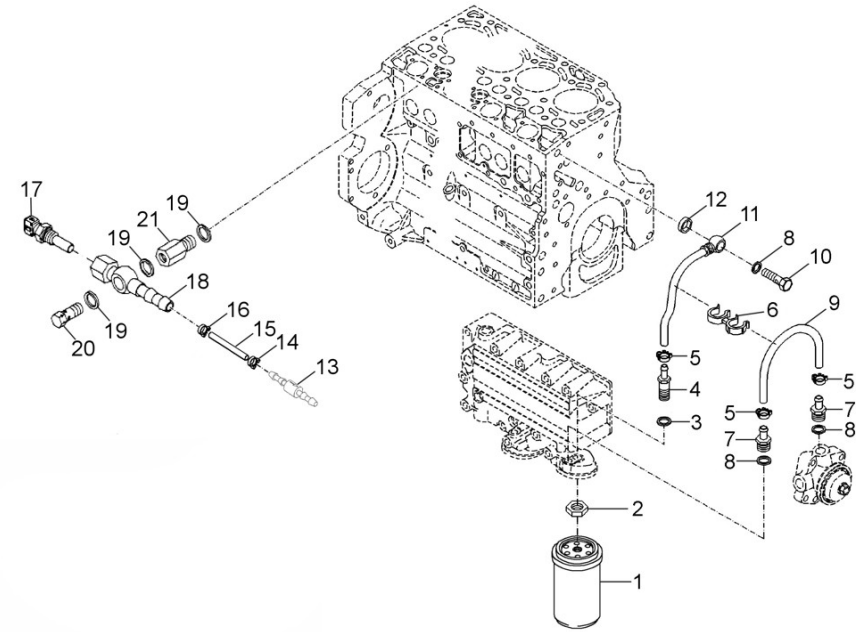
Fig.	Ref.	Qty.	Descr.	Obs	From	UpTo
1	19423016	1	CONTRoller			
2	19423001	1	HOOD			
3	19423002	1	Gasket			
4	19623003	1	Governor Cover			
4A	19423006	2	Lever/ARM			
5	19423004	1	Gasket			
6	19423005	1	Cover			
7	19423007	1	DIAPHRAGM			
8	19423008	4	RETAINING Washer			
9	19423009	1	Gasket			
10	19423010	1	Gasket			
11	19423011	1	RETAINING Washer			
12	19423012	1	Ring			
13	19423014	1	Ring			
14	19423015	1	Cover			
15	19421084	1	LOCKING Screw			
16	19421082	4	Bolt			
17	19421083	1	Bolt			
18	19423026	1	HEXAGON Bolt			
19	19523025	1	Control Rod			
NS	19427155	1	Packing Compound			



D_SD28_4_5

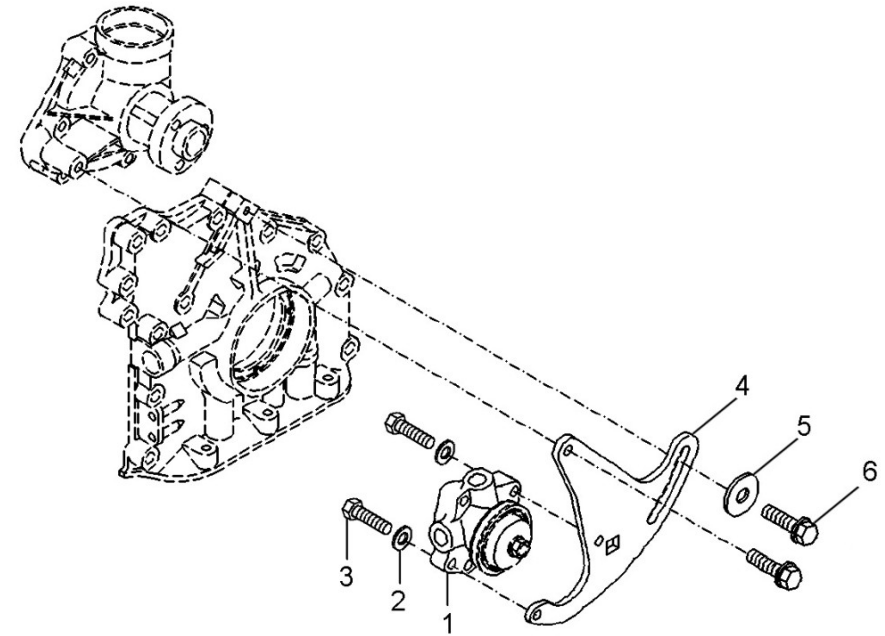
Fuel Filter

Fig.	Ref.	Qty.	Descr.	Obs	From	UpTo
1	19424022	1	Fuel Filter Element SDZ-165/205/280			
2	19424065	1	HEXAGON Nut			
3	19624064	1	Sealing Ring			
4	19424057.1	1	Hose Sleeve			
5	19424058.1	3	Clamp			
6	19424059.1	1	Hose Retanier			
7	19424049.1	2	Nipple			
8	19420059G	3	Sealing Ring			
9	19424060.1	1	Pipe,fuel			
10	12814051	1	Screw,eye			
11	19424060.2	1	Fuel Line			
12	19424062	1	Sealing Ring			
13	19424001	1	Valve Assy			
14	51086018	1	ONE EAR Clamp With INTERIOR Ring 16-18,3			
15	19414003.1	1	Rubber Pipe			
16	51086017	1	ONE EAR Clamp With INTERIOR Ring 15-17,3			
17	19427189	1	Temper.Transmitter			
18	19624020	1	Coupling,ball			
19	19421016	3	Sealing Ring			
20	19424053	1	Valve Assy			
21	19624021	1	Sender Holder			
NS	19624067	1	Corrugated Tube			



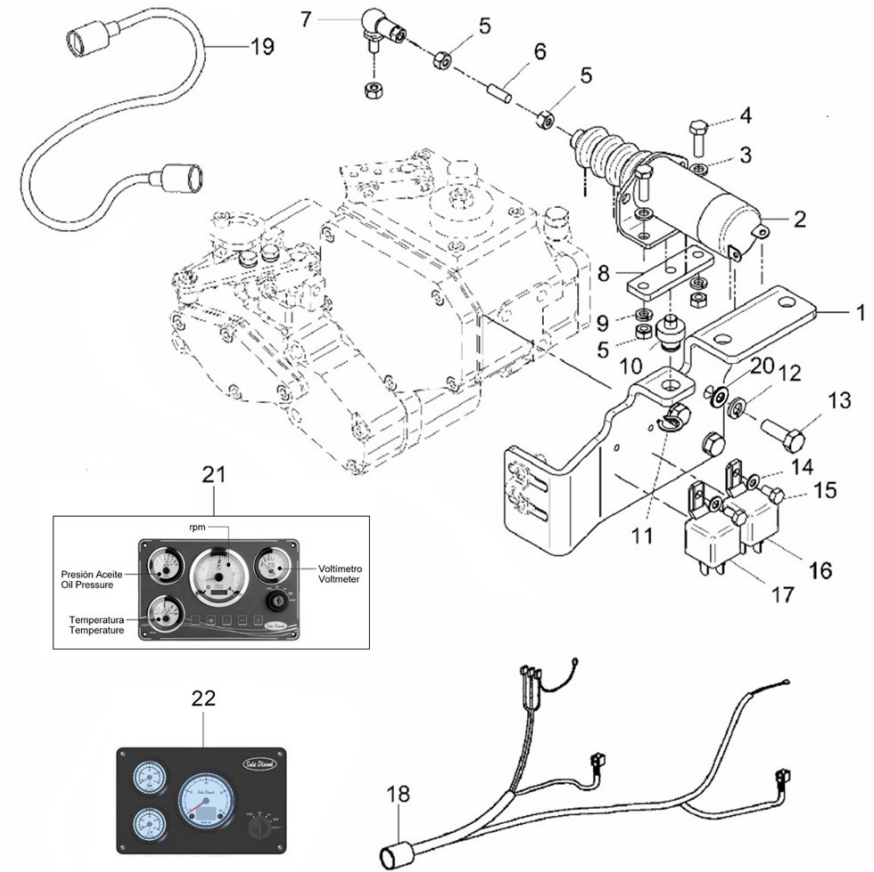
D_SD28_4_6 Feed Pump

Fig.	Ref.	Qty.	Descr.	Obs	From	UpTo
1	19424040.3	1	Fuel Pump			
2	19424043	2	Spring Washer			
3	19424006	2	HEXAGON Bolt			
4	19424041.1	1	Clamping Strap			
5	19424047.1	1	Plain Washer			
6	19424046	2	HEXAGON Bolt			



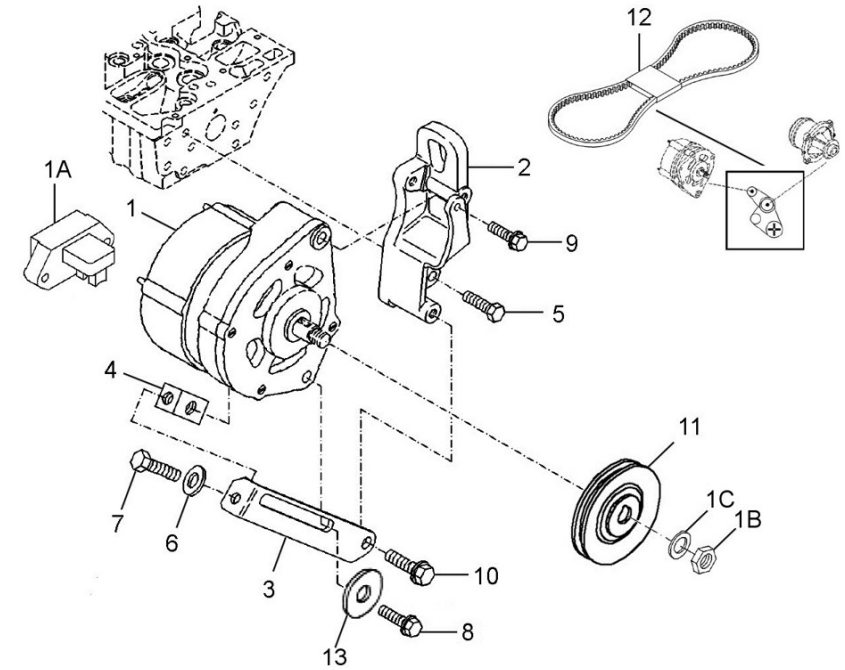
D_SD21_5_3 24V Electrical Wiring

Fig.	Ref.	Qty.	Descr.	Obs	From	UpTo
1	19419001	1	Bracket,Engine Control			
2	19424025	1	Solenoid 24V ETS			
3	51030006	2	Washer DIN 125-6			
4	52102157	2	Bolt DIN 933 M6-20 8.8			
5	52120006	4	Nut DIN 934 M6 8.8			
6	52111163	1	ROD DIN 913 M6-50 8.8			
7	19419003.1	1	Mechanical Bearing		17/07/2015	
8	19419005	1	Bracket			
9	53033006	2	Washer GROWER DIN 127-6			
10	19419006	1	Shaft			
11	53040012	1	CIRClip DIN 471 E-12			
12	53033008	3	Washer GROWER DIN 127-8			
13	52102257	3	Bolt DIN 933 M8-20 8.8			
14	51030005	2	Washer DIN 125-5			
15	52102104	2	Bolt DIN 933 M5-10 8.8			
16	17417005.1	1	Relay 24V 24-22A			
17	19017005	1	Relay 24V 24/22A			
18	60996202	1	Wiring Electrical SD205/280 SVT			11/01/2022
18	60996206	1	Wiring Electrical SDZ-205/280		12/01/2022	
19	60985210	1	Engine Wiring Ext. 4 M.			
20	51030008	3	Washer DIN 125-8			
21	60994130R	1	SVT 30 SDZ-165/205/280 Panel (Repl.)			04/03/2024
22A	63994322NS	1	Panel SSG 30 SDZ-165/205/280 ETS 24V Remote Black		04/03/2024	
22B	63994322BS	1	Panel SSG 30 SDZ-165/205/280 ETS 24V Remote White		04/03/2024	



D_SD28_5_1 Kit Alternator 28V/55A

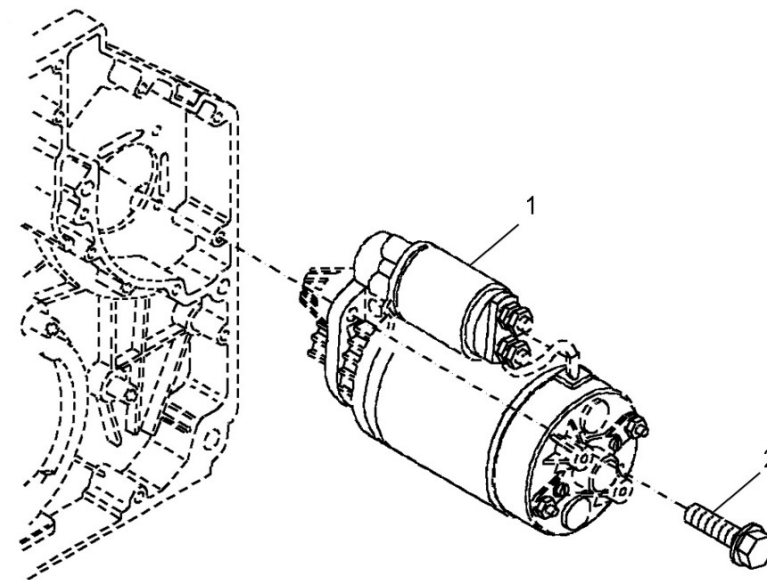
Fig.	Ref.	Qty.	Descr.	Obs	From	UpTo
1	19627010	1	Alternator 28V/55A			
1A	19427016.1	1	Voltage Regulator			
1B	19424065	1	HEXAGON Nut			
1C	19420057.2	1	Plain Washer			
2	19427002G	1	Bracket			
3	19427011.1	1	Brace,alternator			
4	19427008G	1	Threaded Piece			
5	19427005.1	4	HEXAGON Bolt			
6	19428007	1	Plain Washer			
7	19427013	1	HEXAGON Bolt			
8	19422124	1	HEXAGON Bolt			
9	19622053	1	Hexagon Bolt			
10	19424006	1	HEXAGON Bolt			
11	19427052.1	1	V-GROOVED Pulley			
12	19427025.1	1	Belt Type SPZX 862			
13	19424047.1	1	Plain Washer			



D_SD17_5_2

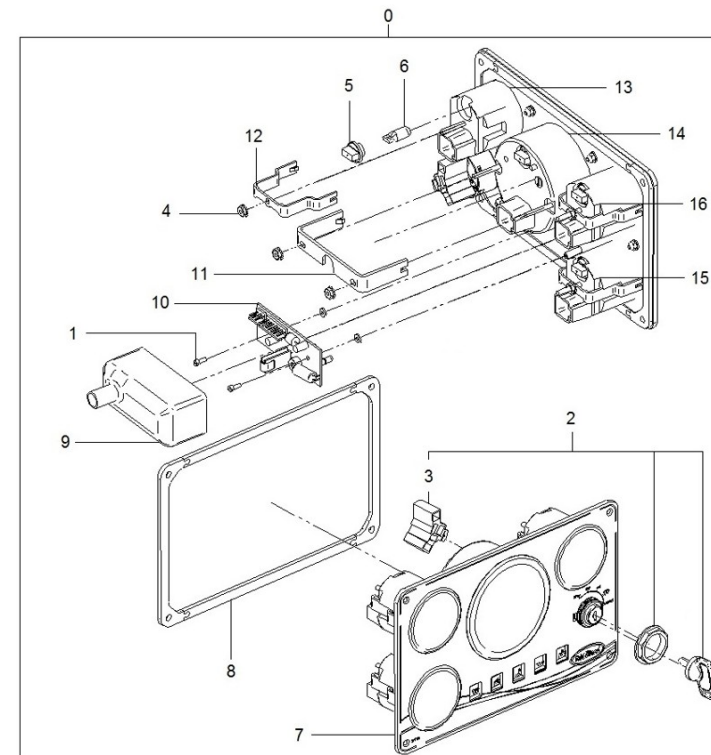
Starter

Fig.	Ref.	Qty.	Descr.	Obs	From	UpTo
1	19427029	1	Starter 24 V			
2	19427020.1	3	Bolt			
NS	60994048	1	Mass Black To Wiring Start			



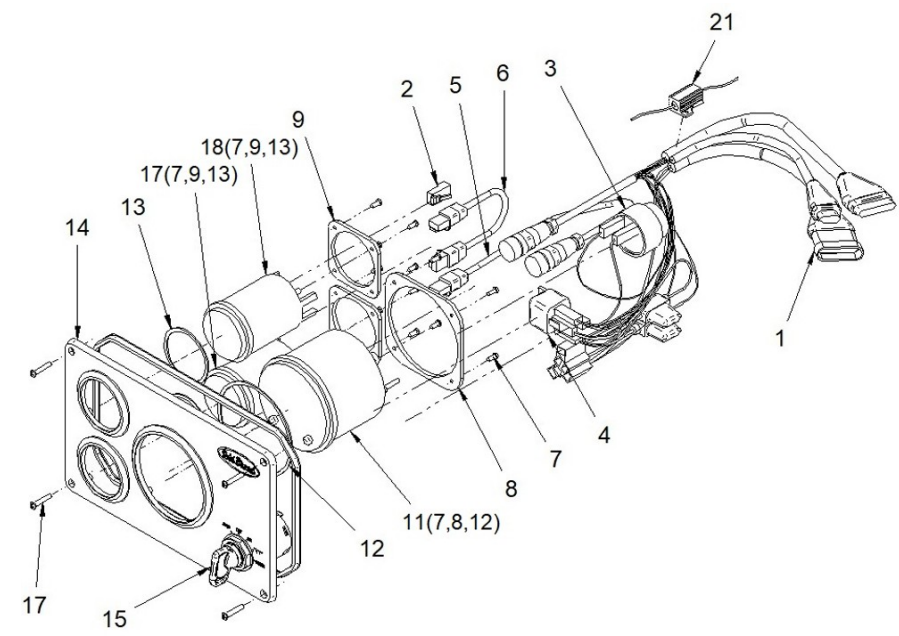
D_60994130 SVT 30 SDZ-165/205/280 Panel

Fig.	Ref.	Qty.	Descr.	Obs	From	UpTo
0	60994130R	1	SVT 30 SDZ-165/205/280 Panel (Repl.)			
1	54108003	2	Bolt DIN 84 M3-8 INOX.			
2	60900037	1	Key-Locking			
3	60900037.2	1	Connector			
4	60900910.2	5	Fixing Nut Gauge+Terminal			
5	60900931	4	SOCKET,WEDGE BASE			
6	60900930	4	Bulb GE400 WEDGE BASE 24V			
7	60990005.1	1	Panel N.3			
8	60990006.1	1	Gasket Panel			
9	60900096	1	Cover Plate for Motor Propeller			
10	60900302.3	1	Integrated Circuit Plate 24V v3			
11	60900910.1	1	Revolution Counter Fixing Bracket			
12	60900915.2	3	Gauge Fixing Bracket			
13	60900942	1	Voltmeter VT 24V			
14	60994912	1	Revol. Counter VT 24V SDZ-165/205			
15	60900938	1	Thermometer VT 24V			
16	60900940	1	Pressure Gauge VT 24V			
NS	60900059	2	Cover			
NS	60900065	4	Connector			
NS	60900065.1	4	Terminal Fixing			
NS	60900066	16	Terminal Female			
NS	60900092	1	MICRO Relay 24V 24-10			
NS	60900933	2	VOLTAGE REDUCER 7W			
NS	60900934	1	VOLTAGE REDUCER 5W 130 ohm SVT			
NS	60910015	1	System Back Panel			



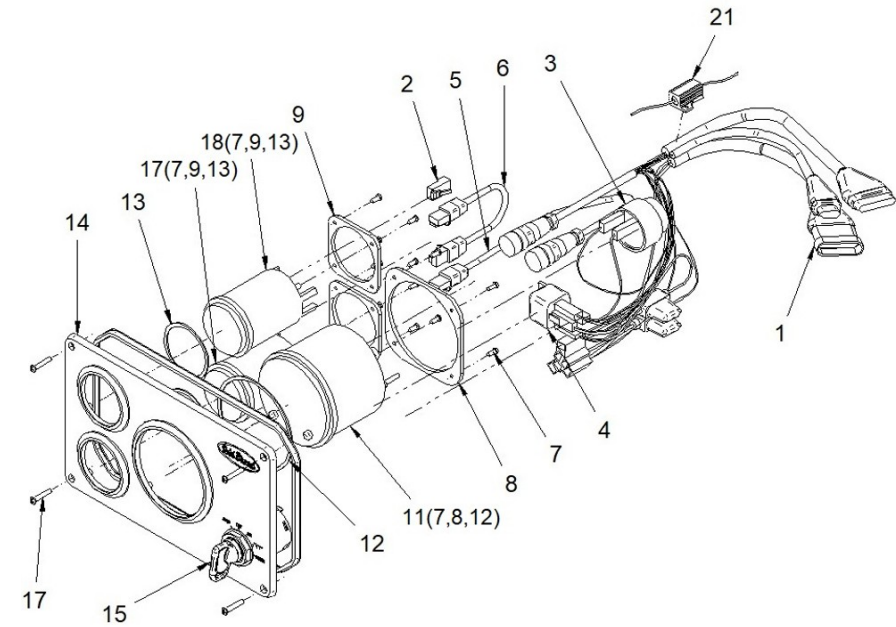
D_1633 Panel SSG 30 Spare Parts

Fig.	Ref.	Qty.	Descr.	Obs	From	UpTo
1	63900032	1	Electrical Installation Panel SSG Master			
2	63900026	1	CAN RJ45 Bus End Resistor			
2	63900037	1	CAN RJ45 Bus End Resistor CAN M12-5pin NMEA2000			
3	60900060	1	Alarm, Buzzer			
4A	63900028	1	Relay 12V 20/30A NO+NC			
Figure A for 12V System						
4B	63900029	1	Relay 24V 10/20A NO+NC			
Figure b for 24V System						
5	63900025	1	M12-5 Pin To Connector RJ45 0.2m SG			
6	63900027	1	Ethernet Cable RJ45 0.2m			
7	5191B003	12	Bolt CL81Z 3.1X8			
8	63900007	1	SG D.85 Tachometer Bracket			
8	63900008	2	SG D.52 Watch Support			
11A	63938001BSR	1	Revolution Counter SG Solé MINI-17/29 White			
11B	63938001BNR	1	Revolution Counter SG Solé MINI-17/29 Black			
11C	63972001BSR	1	Revolution Counter SG Solé MINI-33/44/55 White			
11D	63972001BNR	1	Revolution Counter SG Solé MINI-33/44/55 Black			
11E	639A0001BSR	1	Revolution Counter SG Solé SK-60 White			
11F	639A0001BNR	1	Revolution Counter SG Solé SK-60 Black			
11G	63971001BSR	1	Revolution Counter SG Solé MINI-62 White			
11H	63971001BNR	1	Revolution Counter SG Solé MINI-62 Black			
11I	63974001BSR	1	Revolution Counter SG Solé MINI-74/SM-105/103 White			
11J	63974001BNR	1	Revolution Counter SG Solé MINI-74/SM-105/103 Black			
11K	63978001BSR	1	Revolution Counter SG Solé SM-82/94 White			
11L	63978001BNR	1	Revolution Counter SG Solé SM-82/94 Black			
11M	63994001BSR	1	Revolution Counter SG Solé SDZ-165/205/280 White			
11N	63994001BNR	1	Revolution Counter SG Solé SDZ-165/205/280 Black			
12	63900009	1	Silicone Tachometer Gasket SG 94x84x1 Frontal			
13	63900010	2	Silicone Watch Gasket SG 54x48x1 Frontal			
14	63900014	1	SSG 30 Panel Solé Diesel			
15	60900037	1	Key-Locking			



D_1633 Panel SSG 30 Spare Parts

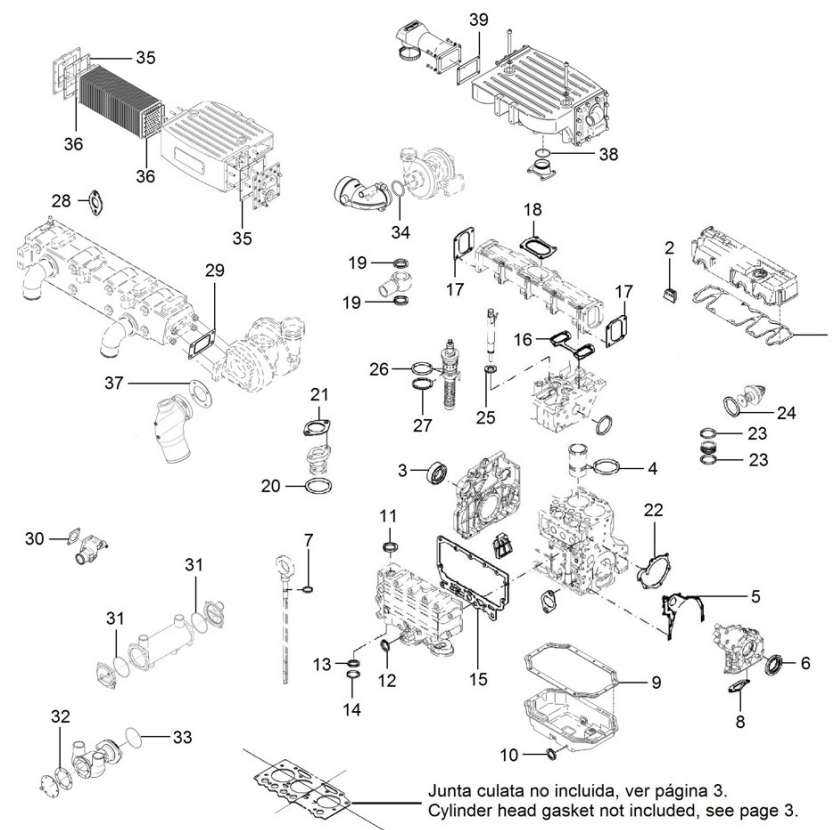
Fig.	Ref.	Qty.	Descr.	Obs	From	UpTo
17	51918057	4	Bolt DIN 7981 3,9-22			
18A	63900003BSR	1	Pressure Gauge SG Solé Master White			
18B	63900042NSR	1	Pressure Gauge SG Solé Master Black			
19A	63900002BSR	1	Temperature Gauge SG Solé Master White			
19B	63900041NSR	1	Temperature Gauge SG Solé Master Black			
20	63900018	1	Gasket Panel SSG30			
21A	61100000	1	Resistance 12V 18 Ohm with Connectors Panel SG			
Figure A for 12V System						
21B	61100001	1	Resistance 24V 75 Ohm with Connectors Panel SG			
Figure b for 24V System						
22	63900040	1	Buzzer Bracket			
23	53033005	2	Washer GROWER DIN 127-5			
24	52120004	2	Nut DIN 934 M4 8.8			
NS	LLAVERO.1A	1	Floating Keyring Solé Diesel			



D_ALARPRO_1		Engine Extension				
Fig.	Ref.	Qty.	Descr.	Obs	From	UpTo
1A	60938210.1	1	Engine Wiring Ext. 3 M. SUPERSEAL			
1B	60985210.1	1	Engine Wiring Ext. 4 M. SUPERSEAL			
1C	60938211	1	Engine Wiring Ext. 8 M. SUPERSEAL			
1D	60985210.12.1	1	Engine Wiring Ext. 12 M. SUPERSEAL			
1E	60985210.15.1	1	Engine Wiring Ext. 15 M. SUPERSEAL			
1F	60985210.24.1	1	Engine Wiring Ext. 24 M. SUPERSEAL			
1G	60974552	1	3-way Wiring Wxtension for Auxiliary Kits 4 m			
1H	60900165	1	3-way Wiring Extension for Auxiliary Kits 6 m			
1I	60900166	1	3-way Wiring Extension for Auxiliary Kits 12 m			
1J	60900167	1	3-way Wiring Extension for Auxiliary Kits 24 m			

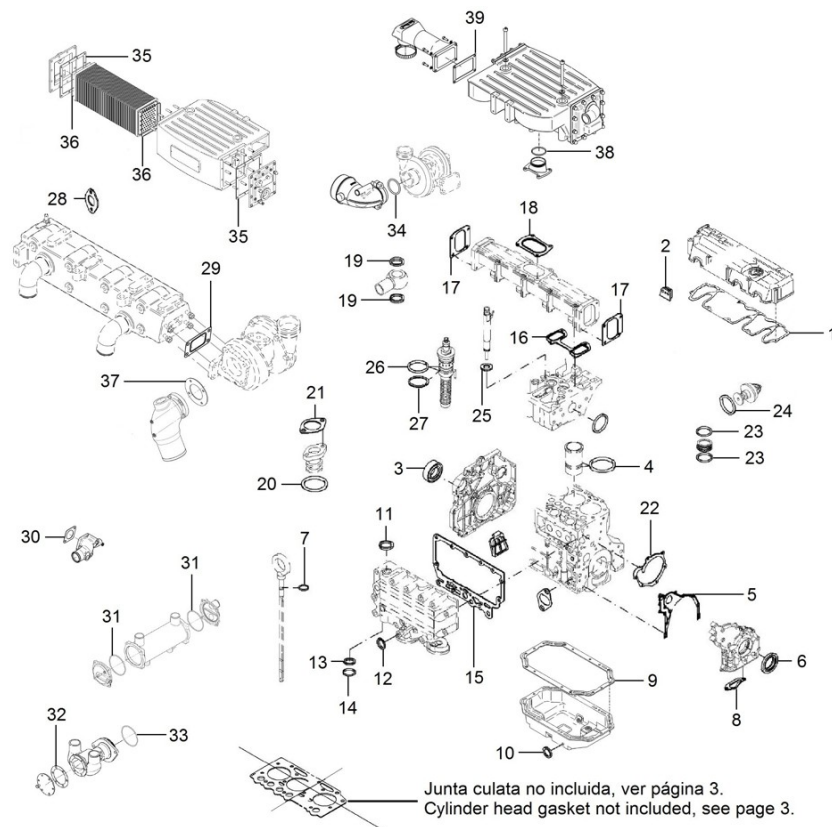


D_19620101 Gasket Kit					
Fig.	Ref.	Qty.	Descr.	Obs	From UpTo
1	19521010	1	Rocker Cover Gasket		
2	19421011	1	Cap		
3	19420039.1	1	ROT.Shaft LIP Seal		
4	19420074	12	O-Ring D. 115X3		
5	19420026.2	1	Gasket		
6	19420008	1	ROT.Shaft LIP Seal		
7	19620029.2	1	O-Ring		
8	19420033	1	Gasket		
9	19520033	1	Gasket		
10	19420032	2	Ring		
11	19421019	1	Sealing Ring		
12	19417001	1	Plug		
13	19422118	1	Sealing Ring		
14	19422113	2	O-Ring		
15	19424084	1	Gasket		
16	19421063	2	Gasket		
17	19421047	2	Gasket		
18	19421034	1	Gasket	29/09/2019	
19	19421016	2	Sealing Ring		
20	19428063	3	Sealing Ring		
21	19428062	1	Gasket		
22	19421040	1	Flat Gasket		
23	19421044	2	O-Ring		
24	19420150	1	O-Ring		
25	19426012	6	Sealing Ring		
26	19425002	3	O-Ring D. 40X3,5		
27	19425003	2	Shim		
28	19421181.2	6	Gasket		
29	19421183.4	1	Gasket		
30	19411010	1	Gasket		
31	16711007	1	O-Ring D. 116X4		



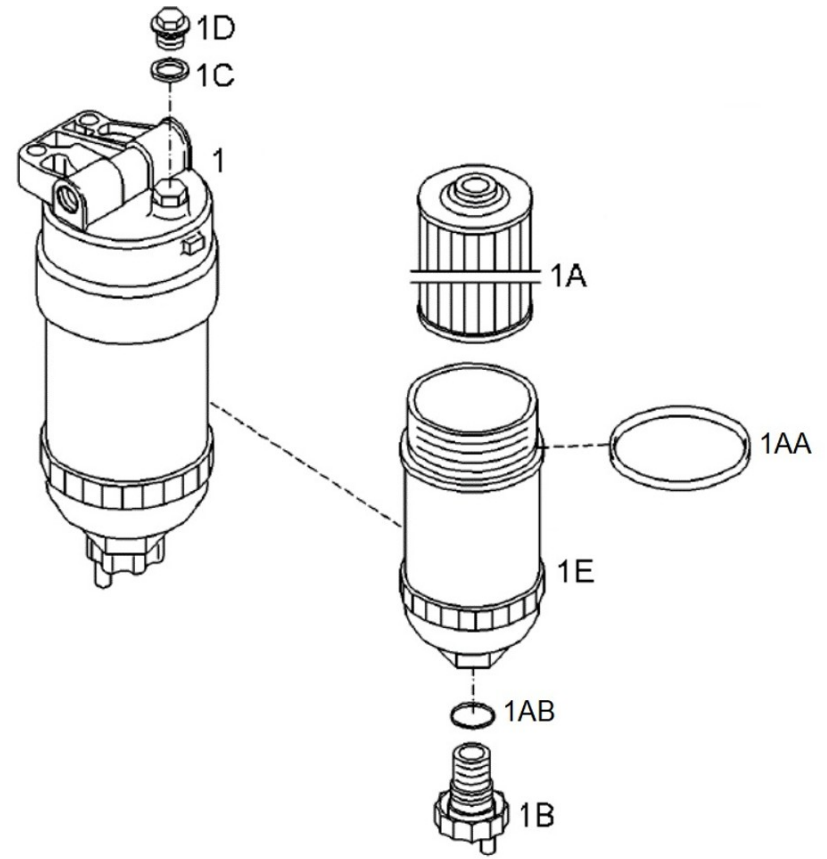
D_19620101 Gasket Kit

Fig.	Ref.	Qty.	Descr.	Obs	From	UpTo
32	34711003	1	Gasket Cover			
33	19420221	1	O-Ring D. 82X4 VITON			
34	19610021	1	O-Ring D. 90X4 VITON			
35	19410016.7B	2	Gasket			
36	19410016.12	2	O-Ring INTERCooler			
37	19613013	1	Gasket			
38	19421033	1	O-Ring D. 70X5 VITON			
39	19410018	1	Gasket			01/08/2019
39	LOCT5900.50	1	LOCTITE 5900 50ml		01/08/2019	



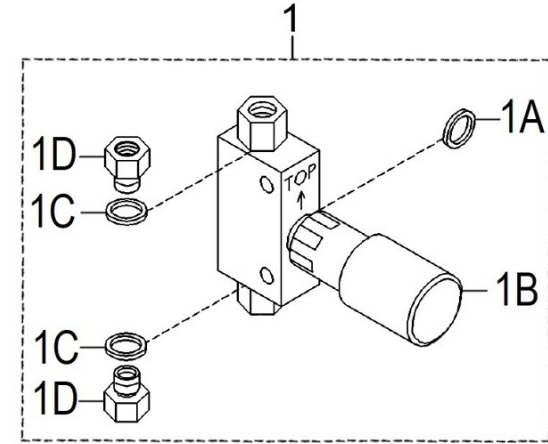
D_19424020 Fuel Filter

Fig.	Ref.	Qty.	Descr.	Obs	From	UpTo
1	19424020	1	SPin-ON Fuel FILT.			
1A	19424020.3	1	Pre Fuel Filter Element SDZ-165/205/280			
1AA	19424020.2	1	O-Ring D. 95X4			
1AB	19424020.4	1	O-Ring D. 12X2,5			
1B	19424020.5	1	DRAIN Valve			
1C	19421016	1	Sealing Ring			
1D	19420071	1	Screw Plug			
1E	19424020.8	1	Filter Housing			



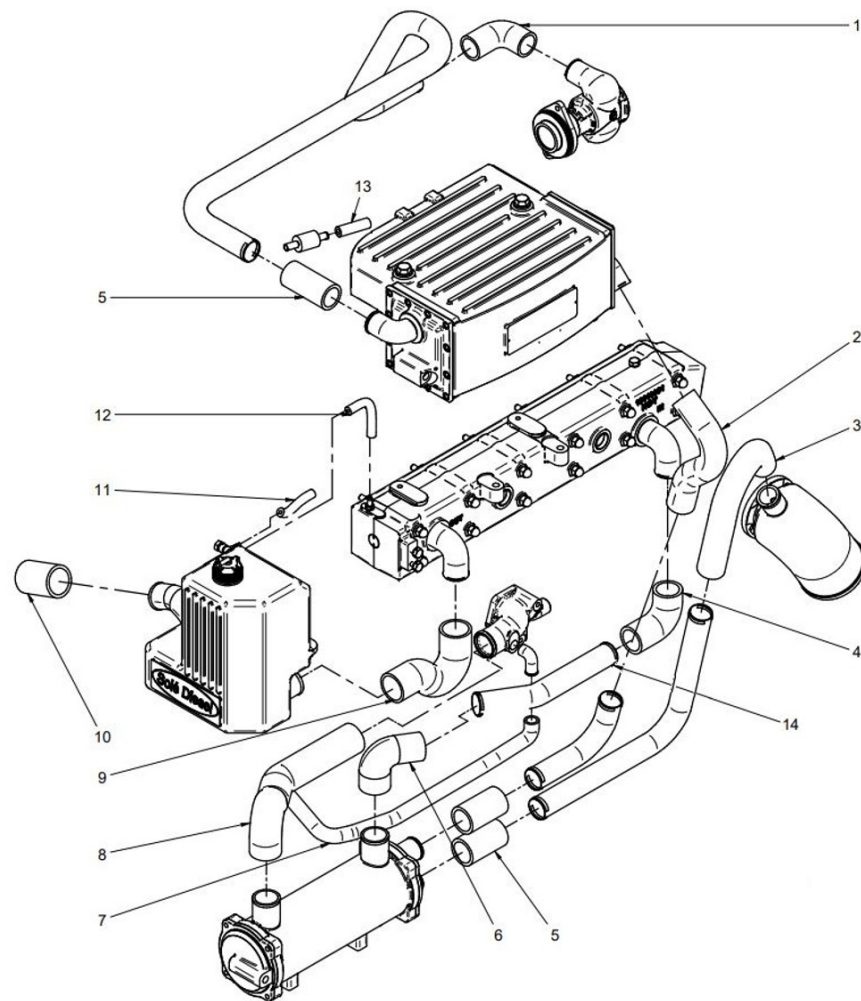
D_19424050 Hand Pump

Fig.	Ref.	Qty.	Descr.	Obs	From	UpTo
1	19424075	1	Kit Fuel Pump			
1A	19424050.1	1	Sealing Ring			14/11/2019
1B	19424050.2	1	Hand Pump			14/11/2019
1C	19424078	2	Gasket			14/11/2019
1C	56000077	2	Washer 18-23-1,5		14/11/2019	
1D	19424050.3	2	Adapter NIPPLE			14/11/2019
1D	19424079	2	Manual Pump gasoil Fitting		14/11/2019	



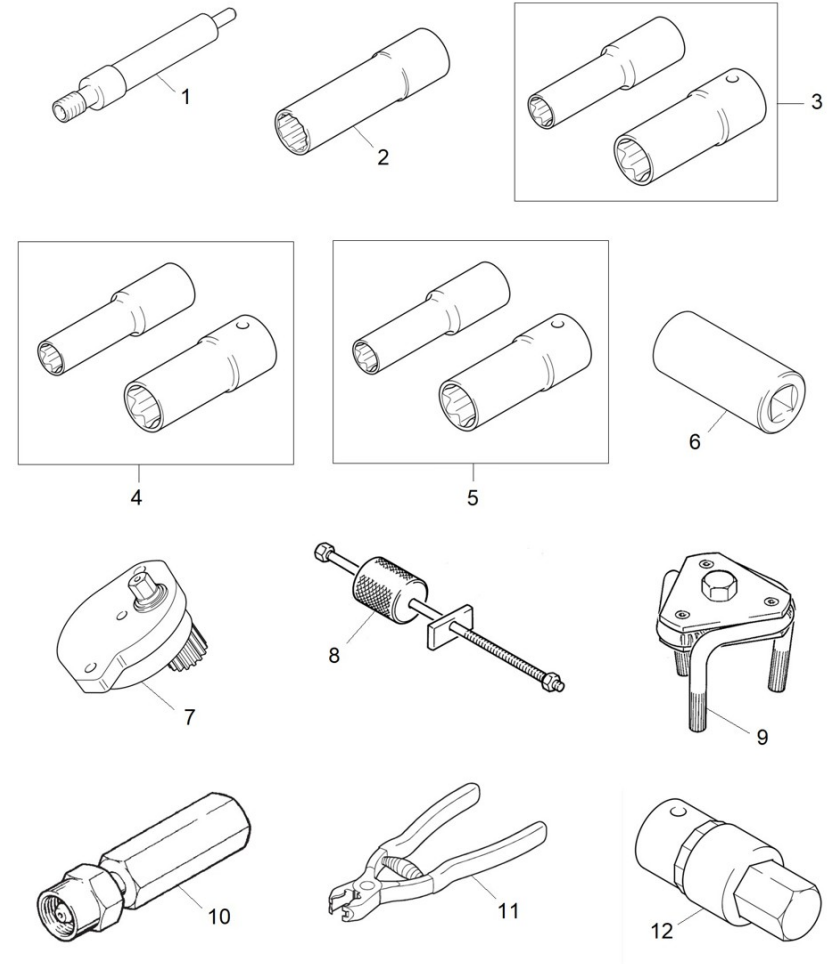
D_19611100 Pipe Rubber Set

Fig.	Ref.	Qty.	Descr.	Obs	From	UpTo
1	19411015	1	Elbow			
2	19611020	1	Hose			
3	19511006	1	Rubber Pipe			
4	19611072	1	Hose 90° D.42		12/07/2019	
5	19411045	3	Pipe 42-54-90			
6	19611071	1	Hose		12/07/2019	
7	M87501927	1.0	Water Intake Hose (HQ) D. 19-27			
8	19511020	1	Hose			
9	19411019	1	Hose			
10	19411043	1	Pipe 48-60-85			
11	19411042	1	Hose			
12	19411041	1	Purge Hose			
13	19414003.1	1	Rubber Pipe			
14	19611070	1	Brass Tube D.42		12/07/2019	
NS	15312007	2	Water Cooler Cover			
NS	19411034	1	Pipe, Rubber			
NS	M87503848	1.0	Water Intake Hose (HQ) D. 38-48			



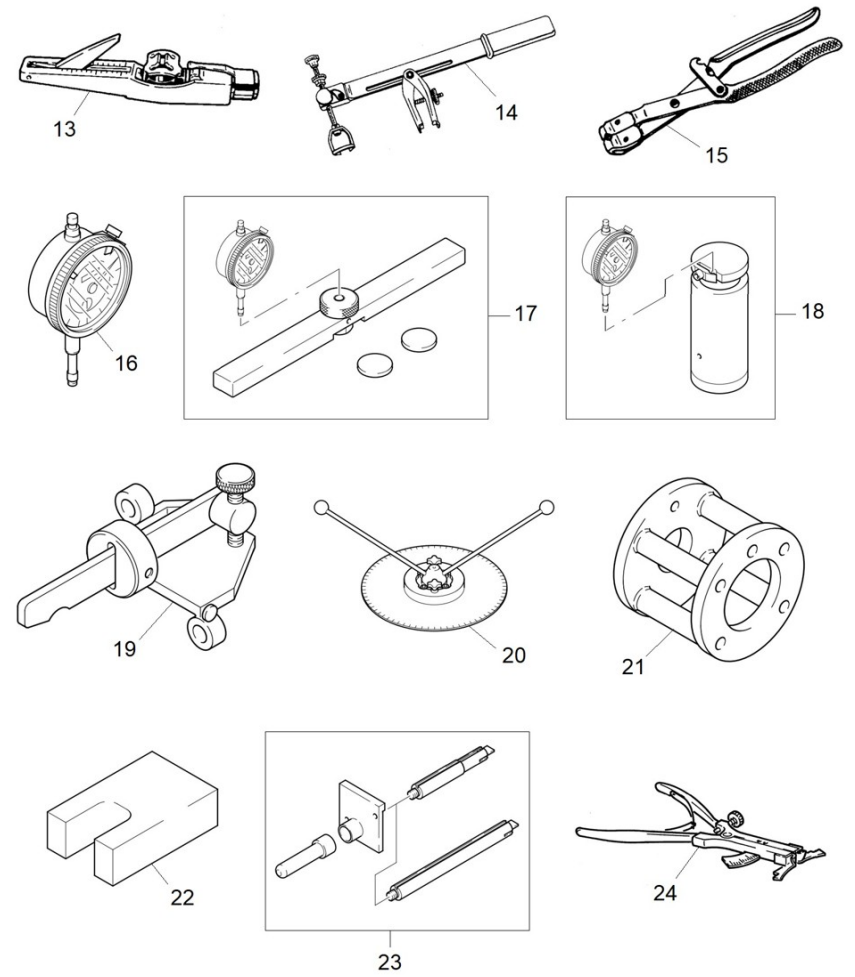
D_UTILSDZPRO_1 Special Tools 1/4

Fig.	Ref.	Qty.	Descr.	Obs	From	UpTo
1	UBP00006	1	Connector For Compression Tester			
2	UMSDZ001	1	Socket A/Flats 15 Long For Injector			
3	UMSDZ002	1	Torx Sockets Long Version			
4	UMSDZ003	1	Torx Sockets Long Version			
5	UMSDZ004	1	Torx Sockets Long Version			
6	UMSDZ005	1	Serrated Wrench Turning Injection Pump			
7	UMSDZ008	1	Assembly Tool For Front Crankshaft Seal			
8	UMSDZ010	1	Extractor			
9	UMSDZ011	1	Special Device Off Filter Cartridge			
10	UMSDZ012	1	Extractor Injector			
11	UMSDZ016	1	Cobra Clamp Pliers			
12	UMSDZ017	1	Screw Driver Socket			



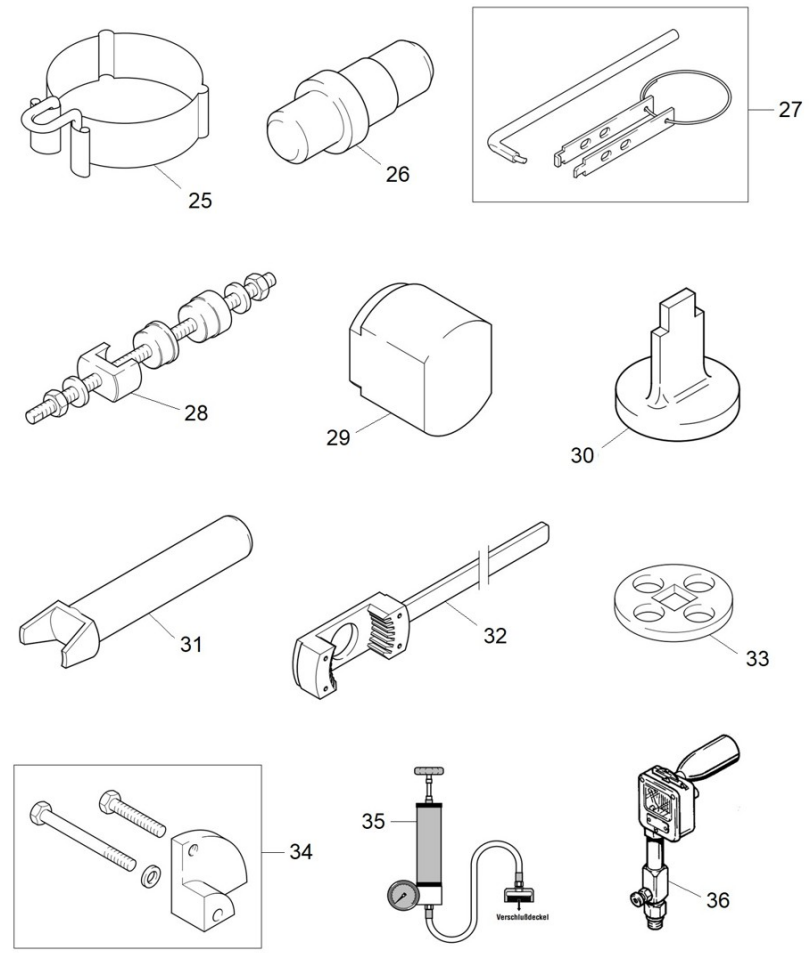
D_UTILSDZPRO_2 Special Tools 2/4

Fig.	Ref.	Qty.	Descr.	Obs	From	UpTo
13	UMSDZ018	1	V-Belt Tension Gauge			
14	UMSDZ019	1	Valve Spring Assembly Lever			
15	UMSDZ020	1	Spring Clamp Pliers			
16	UMSDZ024	1	Dial Gauge M2T With Locking Ring			
17	UMSDZ025	1	Measuring Bar With Spacers For Gauging			
18	UMSDZ026	1	Measuring Device Base Circle Injection			
19	UMSDZ027	1	Press-on Device For Control Rod			
20	UMSDZ028	1	GRADUATED DISC 360° For TDC and COD			
21	UMSDZ029	1	Adapter For Graduated Disc			
22	UMSDZ030	1	Dolly For Injector a/flats 11			
23	UMSDZ031	1	Assembly Tool For Control Rod Sleeves			
24	UMSDZ034	1	Piston Ring Pliers			



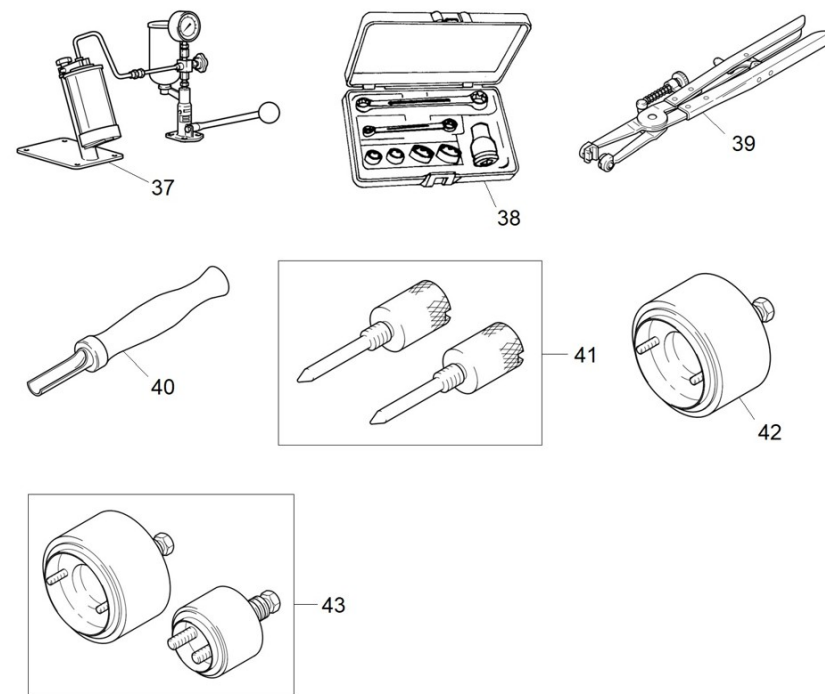
D_UTILSDZPRO_3 Special Tools 3/4

Fig.	Ref.	Qty.	Descr.	Obs	From	UpTo
25	UMSDZ035	1	Piston Ring Compressor			
26	UMSDZ036	1	Assembly Tool For Small End Bush			
27	UMSDZ037	1	Puller For Front And Rear Crakshaft Seal			
28	UMSDZ040	1	Assembly Tool For Camshaft Sleeves			
29	UMSDZ041	1	Assembly Tool For Cylinder Liner			
30	UMSDZ042	1	Assembly Tool For Pressure Control Valve			
31	UMSDZ043	1	Assembly Tool For Thermostat			
32	UMSDZ044	1	Dolly For Air Compressor Gear			
33	UMSDZ069	1	Turning Device			
34	UMSDZ070	1	Measuring Device For Control Rod			
35	UMSDZ058	1	Pressure Pump for Tightness Testing Coolant System			
36	UMSDZ059	1	Compression Tester			



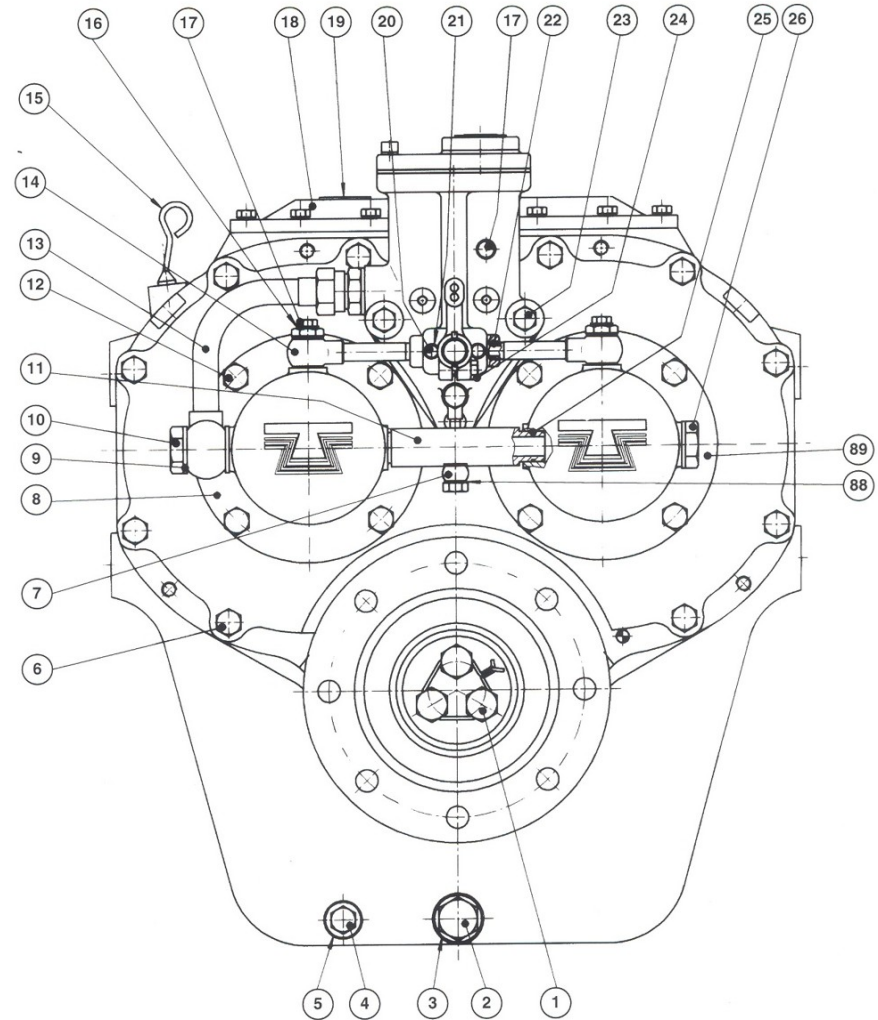
D_UTILSDZPRO_4 Special Tools 4/4

Fig.	Ref.	Qty.	Descr.	Obs	From	UpTo
37	UMSDZ060	1	Injector Tester			
38	UMSDZ061	1	Torx Torx-Werkzeugsatz Tool Kit			
39	UMSDZ062	1	Spring Clamp Pliers			
40	UMSDZ063	1	Auxiliary Tool Glow Plug Cable Coupler			
41	UMSDZ064	1	Adjusting Bolts for Mass Compensating Shafts "MAG"			
42	UMSDZ066	1	Assembly Tool For Rear Crankshaft Seal			
43	UMSDZ067	1	Turning Gear			
NS	61800001	1	Injector Tester			
NS	UBP00002	1	Test Bench Engine Test Bench SDZ-280 Pressure			
NS	UMSDZ021	1	Spring Clamp Pliers			
NS	UV19410016B	1	Turbo pressure test tool SDZ-280			
NS	UV19424040.1	1	Fuel pressure test tool SDZ-280			



D_5029_1 Housing 1/5

Fig.	Ref.	Qty.	Descr.	Obs	From	UpTo
1	24826226	3	Bolt			
2	24830011	1	Plug			
3	56000083	1	Washer 21-26-1,5			
4	24810011	1	Plug,oil drain			
5	24810088	1	Plane Washer			
6	24826260	10	Screw Hex.			
7	24826501	1	Tube			
8	24826038	1	Cover			
9	24810513	6	Washer			
10	24826531	1	Union			
11	24826502	1	Tube			
12	24826222	22	Screw Hex.			
13	24826523	1	Tube			
14	24826081	2	Tube			
15	24826008	1	Oil dipstick			
16	24820086	3	Washer			
17	24820068	3	Plug M8X1			
18	24826072	1	Cover			
20	24810044	2	Screw			
21	24810042	2	Washer			
22	24820059	2	O-Ring D. 10X1,7			
23	24826087	2	Screw Hex.			
24	24810047	15	Screw			
25	24870009	2	O-Ring			
26	24826012	1	Plug			
88	24810063	8	Plane Washer			
89	24860040	1	Cover			



D_5029_2 Housing 2/5

Fig.	Ref.	Qty.	Descr.	Obs	From	UpTo
12	24826222	22	Screw Hex.			
24	24810047	15	Screw			
98	24860222	4	Nut			
99	24860087	18	Screw Hex.			
100	24810014	20	Washer			

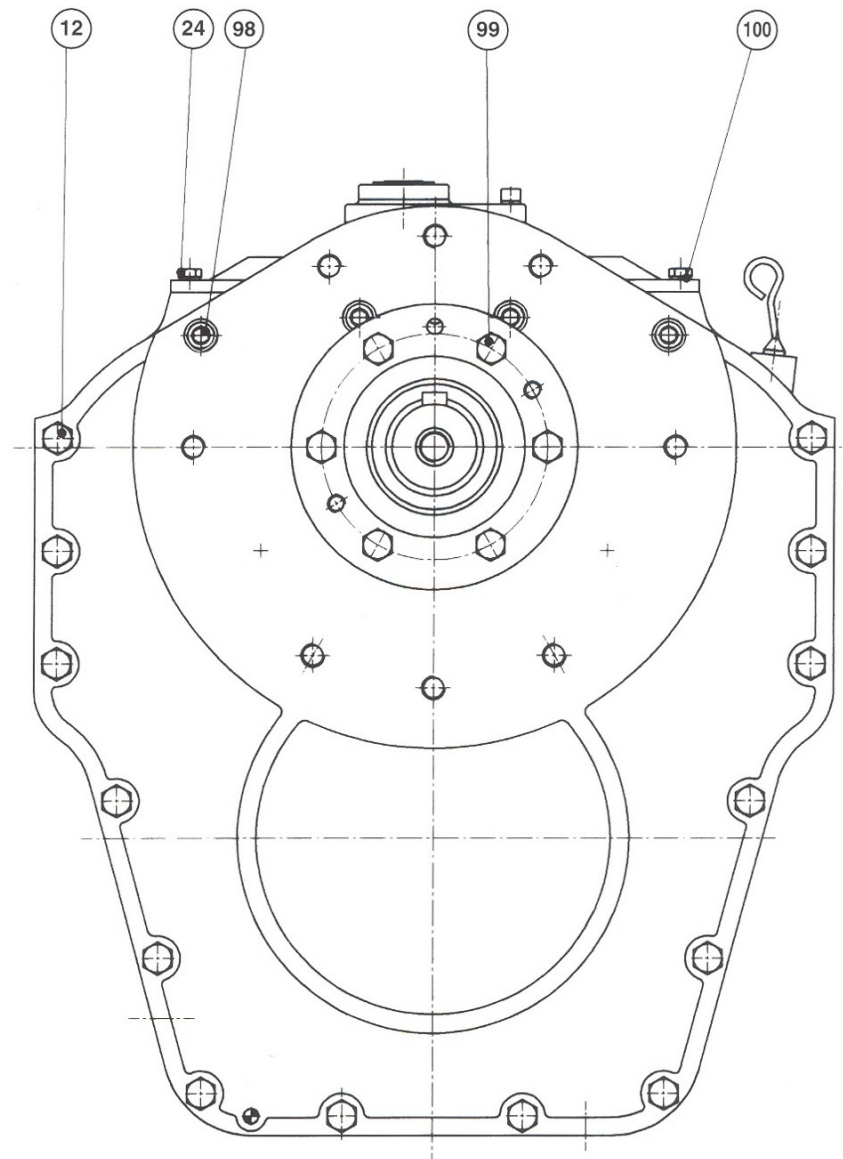


Fig.	Ref.	Qty.	Descr.	Obs	From	UpTo
27	24826083	4	Union			
28	24826085	2	Pin			
29	24826500	1	Plate			
30	24850521	2	O-Ring			
31	24826097	2	O-Ring			
32	24826060	1	Tube			
33	24826043	1	Pump Assy Oil			
34	24826122	1	Spring			
35	24826419	1	Pin			
36	24830013	1	Plug			
37	24826075	1	Cover			
38	24826090	3	Nipple			
39	24826310	1	Plate			
40	24826015	2	Gasket			
41	24826039	1	Cover			
42	24860512	1	Valve			
43	24826232	1	Spring			
44	24860041	1	Shim			
45	24820005.1	1	NAME Plate			
46	24826233	1	Spring			
47	24860047	6	Bolt			
48	24830029	1	Ball			
49	24826234	1	Spring			
50	24860051	1	Body			
51	24860523	1	Valve			
52	24860033	1	Valve Body			
53	24860068	1	Plug			
54	24860009	1	O-Ring			
55	24860056	1	Ball			
56	24810030	1	Valve Spring			
57	24810032	1	SNAP Ring			

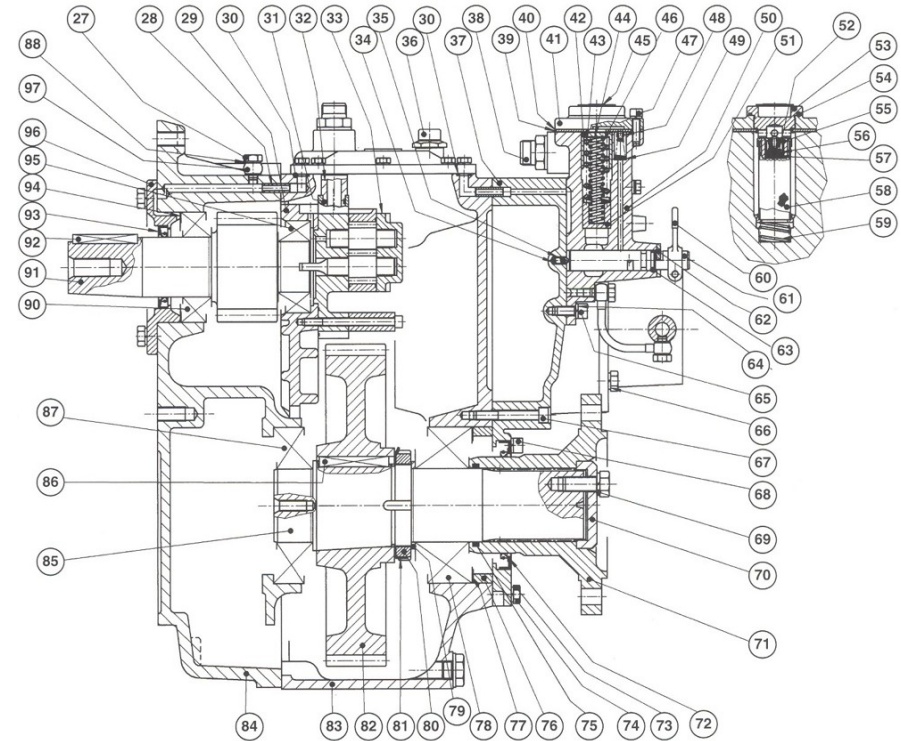


Fig.	Ref.	Qty.	Descr.	Obs	From	UpTo
58	24860035	1	Oil Filter			
59	24860234	1	Spring			
60	24810424	1	Lever			
61	24860423	1	PAD			
62	24810041	1	Support			
63	24860417	1	O-Ring			
64	24820075	9	Washer			
65	24860078	1	Screw			
66	24840010.3	38	Washer 12			
67	24860098	1	Screw			
68	24860013	2	Screw			
69	24820221	3	Washer D.16			
70	24860219	1	Washer			
71	24826224	1	Flange,output			
72	24899999	1	Oil Seal			
73	24840010.7	2	Screw M10X40			
74	24860076	2	Shim 0.1 mm			
75	24860111	1	O-Ring			
76	24860217	1	Spacer			
77	24860077	3	Shim			
78	24860109	1	Bearing			
79	24860209	1	Spacer			
80	24860226	1	Nut			
81	24860213	1	Washer			
82	24860210	1	Gear			
82	24860302	1	Gear			
82	24860303	1	Gear Ratio 3,5:1			
83	24860001	1	Cover			
84	24860002	1	Box			
85	24860101	1	Shaft			
86	24860211	1	Tang			

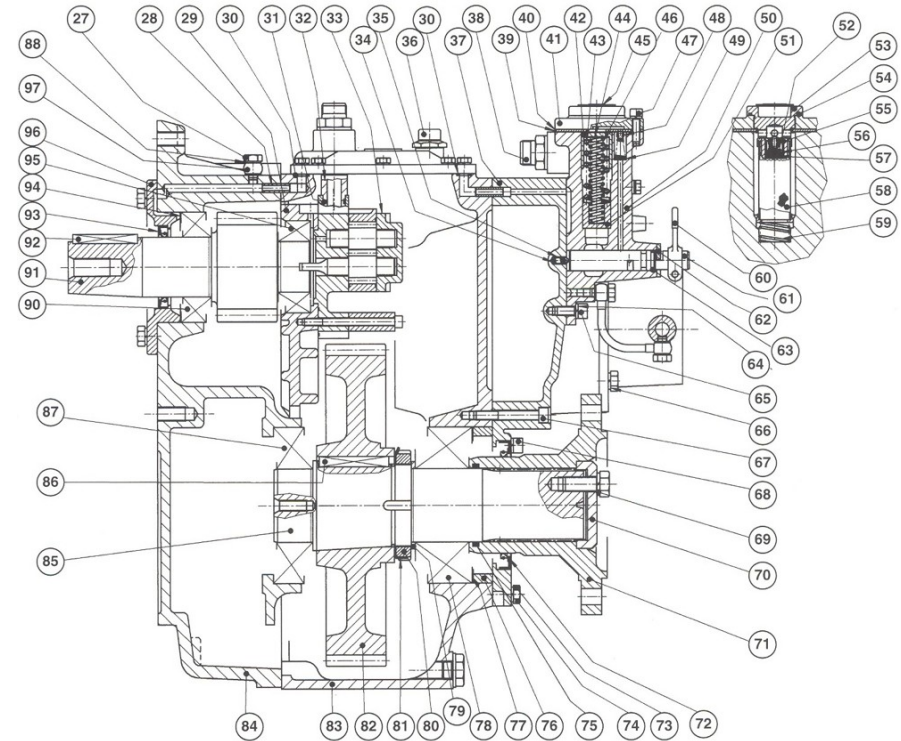


Fig.	Ref.	Qty.	Descr.	Obs	From	UpTo
87	24860206	1	Conical Roller Bearing 32005			
88	24810063	8	Plane Washer			
90	24860134	1	Bearing			
91	24828101	1	Input Shaft			
91	24860201	1	Output			
92	24860131	1	Tang			
93	24899998	1	Oil Seal			
94A	2486010801	3	Supplement Shim Adjustment 1mm			
94B	2486010803	3	Supplement Shim Adjustment 3mm			
94C	2486010815	3	Supplement Shim Adjustment 15mm			
95	24860070	1	Bearing			
96	24860007	1	Cover			
97	24860519	1	Tube			

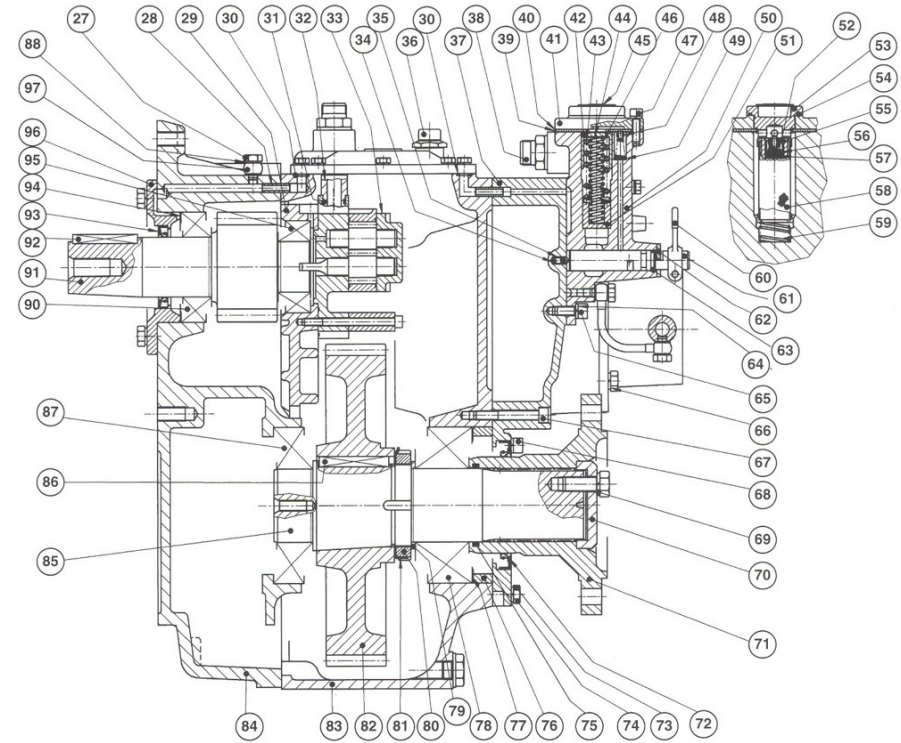
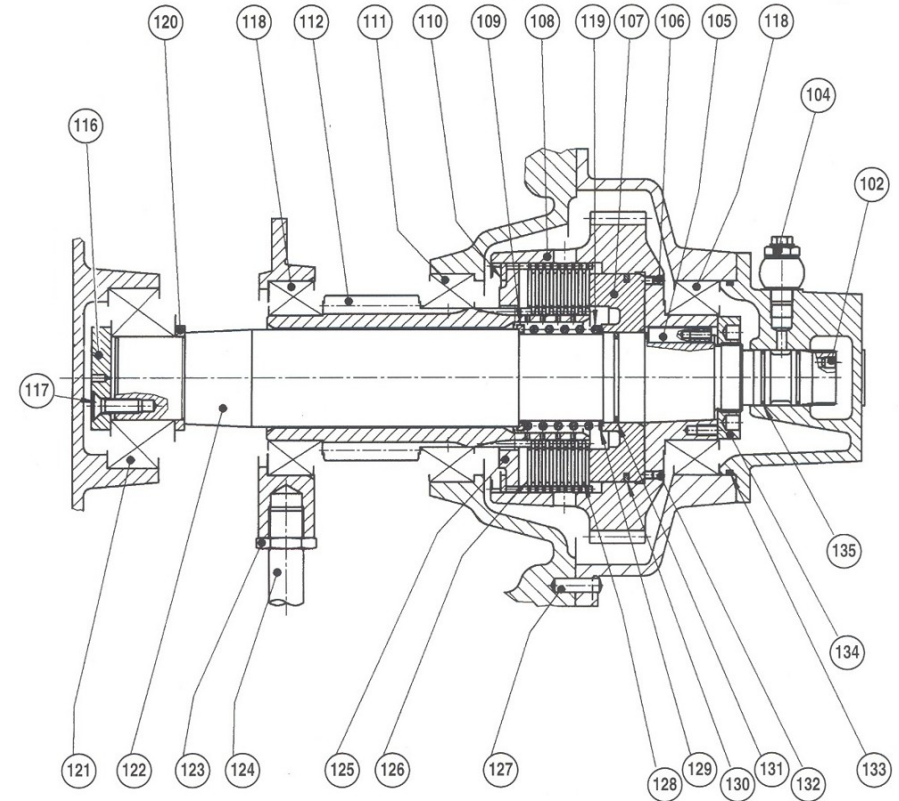


Fig.	Ref.	Qty.	Descr.	Obs	From	UpTo
102	24840127	3	Plug			
104	24860312	2	Plug			
105	24860227	2	Tang			
106	24860024	2	Plug			
107	24860124	2	Piston			
108	24860330	2	Clutch Housing			
109	24860224	2	Flange Output			
110	24860128	2	Seeger			
111	24860205	2	CAGE			
112	24860208	2	Gear Ratio 3:1			
112	24860212	2	Gear Ratio 3,5:1			
112	24860214	2	Gear Ratio 4:1			
112	24860220	2	Gear Ratio 5:1			
116	24860218	2	Washer			
117	24860079	6	Screw			
118	24860207	4	Conical Roller Bearing 30205A			
119	24860235	1	Spring			
120	24860216	1	Spacer			
121	24840206	2	Conical Roller Bearing 32312			
122	24860202	2	Clutch			
123	24860223	1	Nut			
124	24860081	1	Tube			
125	24860315	2	Back Plate			
126	24860316	18	Clutch Plate			
127	24860023	2	Pin			
128	24860314	16	Steel Plate			
129	24860032	2	Seeger			
130	24860325	2	Seal Ring			
131	24860123	2	Seal Ring			
132	24810326	4	Plug			
133	24860225	2	O-Ring			



D_5029_4 Sheet 4/5

Fig.	Ref.	Qty.	Descr.	Obs	From	UpTo
134	24860221	2	Nut			
135	24810323	4	Washer			

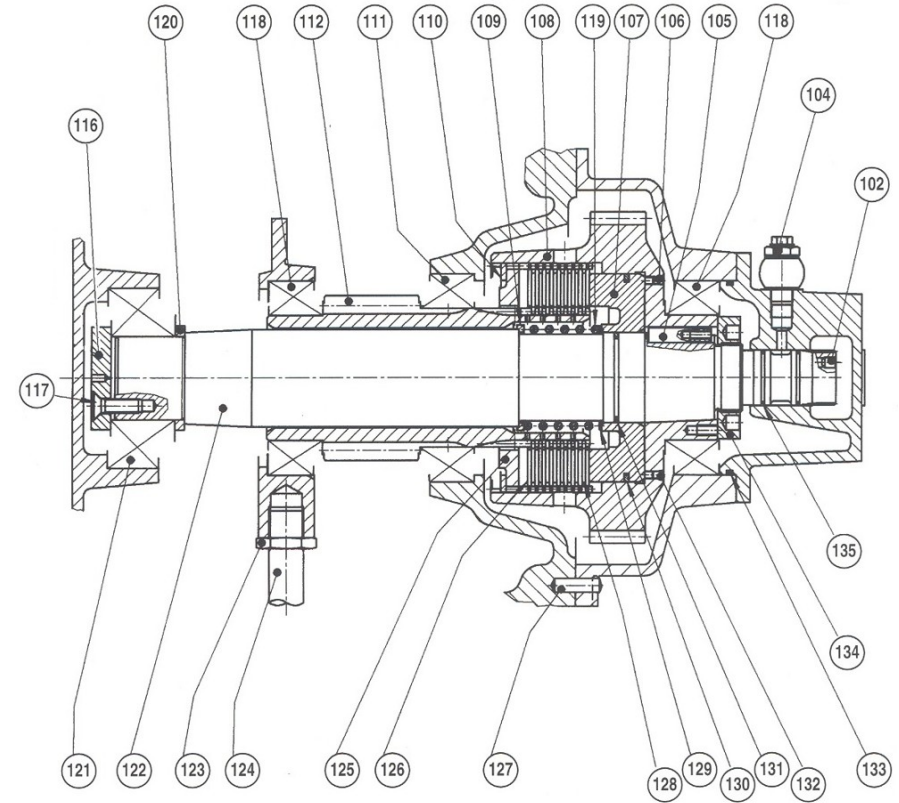


Fig.	Ref.	Qty.	Descr.	Obs	From	UpTo
8	24826038	1	Cover			
99	24860087	18	Screw Hex.			
101	24860311	2	Plug			
102	24840127	3	Plug			
103	24850092	4	Washer			
104	24860312	2	Plug			
105	24860227	2	Tang			
106	24860024	2	Plug			
107	24860124	2	Piston			
108	24860330	2	Clutch Housing			
109	24860224	2	Flange Output			
110	24860128	2	Seeger			
111	24860205	2	CAGE			
112	24860208	2	Gear Ratio 3:1			
113	24860075	6	Shim			
114	24820090	2	Pin			
115	24860132	1	Key			
118	24860207	4	Conical Roller Bearing 30205A			
121	24840206	2	Conical Roller Bearing 32312			
122	24860202	2	Clutch			
125	24860315	2	Back Plate			
126	24860316	18	Clutch Plate			
128	24860314	16	Steel Plate			
129	24860032	2	Seeger			
130	24860325	2	Seal Ring			
131	24860123	2	Seal Ring			
132	24810326	4	Plug			
133	24860225	2	O-Ring			
134	24860221	2	Nut			
135	24810323	4	Washer			
136	24860304	1	Spacer			

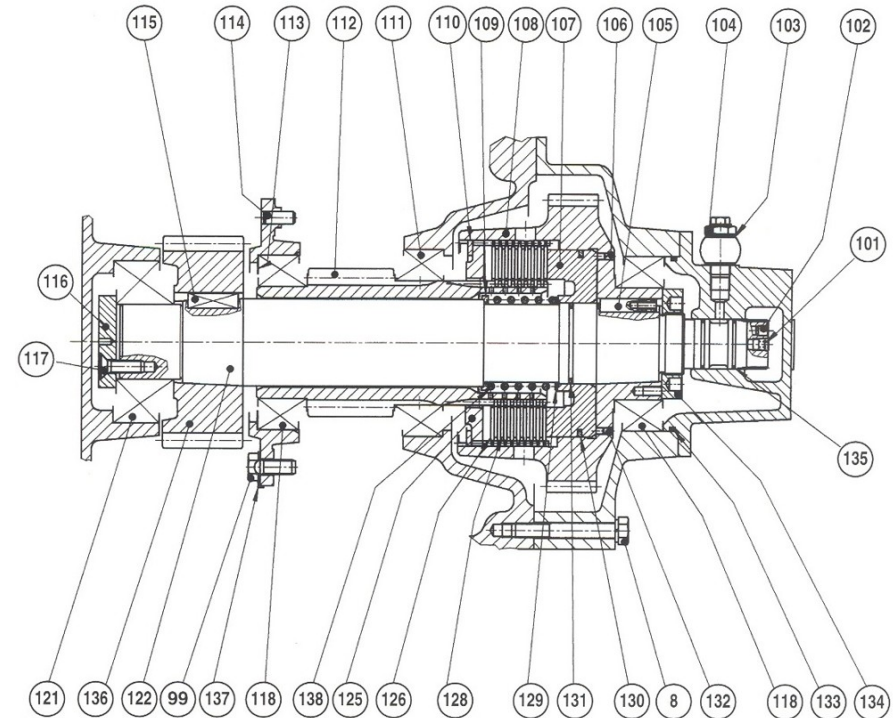
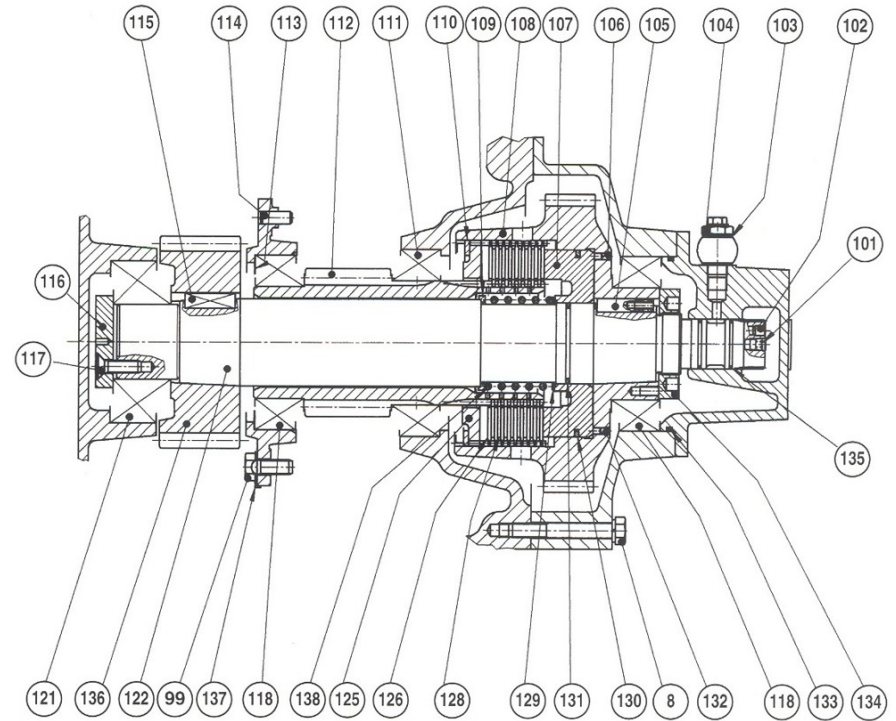
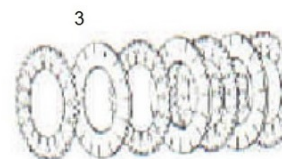
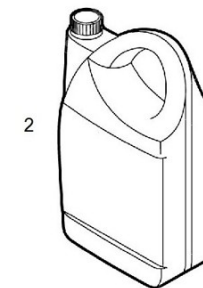
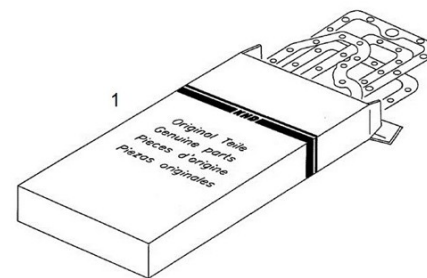


Fig.	Ref.	Qty.	Descr.	Obs	From	UpTo
136	24860305	1	Bolt			
137	24860215	12	Washer			
138	24860411	1	Spring			



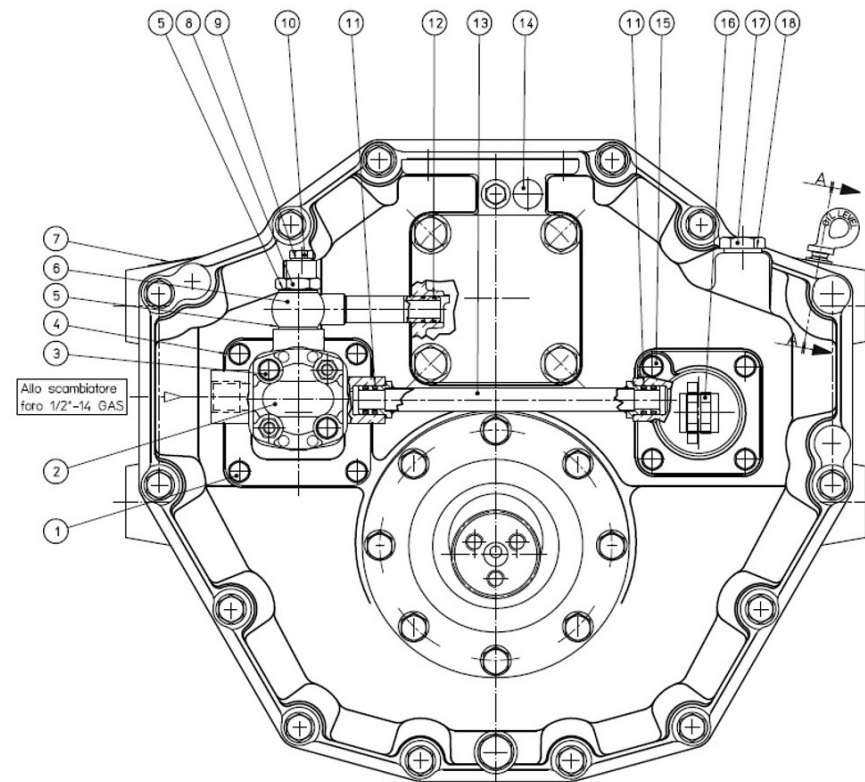
D_5029_6 Maintenance Kit

Fig.	Ref.	Qty.	Descr.	Obs	From	UpTo
1	24826401	1	Kit Gasket			
2	A0105000	1	15W40 Sole Diesel Oil 5L			
3	24826403	2	Clutch Plate Kit			



D_5038_1 Housing 1/4

Fig.	Ref.	Qty.	Descr.	Obs	From	UpTo
1	24830106	11	Screw			
2	24846043	1	Heat exchanger kit			
3	24846040	2	Screw			
4	24850093	10	Washer			
5	24810059	2	Plane Washer			
6	24846082	1	Tube			
7	24850005	1	Plate, IDENTIFICATION			
8	24846531	1	Screw, Racord			
9	24810063	6	Plane Washer			
10	24850011	1	Plug,oil drain			
11	24810056	4	O-Ring			
12	24820063	2	O-Ring D. 15X1,7			
13	24846081	1	Tube			
14	24810062	1	Valve BY PASS			
15	24810098	1	Screw			
16	24820005.1	1	NAME Plate			
17	24830011	1	Plug			
18	24846510	1	Washer			



D_5038_2 Sheet 2/4

Fig.	Ref.	Qty.	Descr.	Obs	From	UpTo
4	24850093	10	Washer			
19	24846124	2	Piston			
20	24846310	2	Washer			
21	24846110	4	Bearing			
22	24846318	2	Washer			
23	24846083	2	Screw, Racord			
30	24846500	2	Bushing			
38	24840010.6	22	Washer 10			
39	24846056	3	Plug			
40	24840125	2	Washer			
41	24846501	2	O-Ring			
42	24840122	2	Spring			
43	24840116	16	ConductOR Disk			
44	24840115	18	Conduct DISK			
45	24846113	2	Seal			
46	24830312	2	SNAP Ring			
48A	24846209	1	Gear Ratio 1,44			
48B	24846210	1	Gear Ratio 2			
48C	24846211	1	Gear Ratio 2,3			
49	24820090	2	Pin			
50	24840104	2	Conical Roller Bearing 32309			
52	24860417	2	O-Ring			
54	24846213	1	Rear Cover Shaft			
55	24810328	4	Washer			
56	24810506	2	Screw			
57	24846304	2	Spacer			
58	24846303	1	Cover			
59	24846104	1	Cover			
60	24846108	6	Spacer			
61	24846098	14	Screw			
62A	24846203	1	Gear Ratio 1,44			

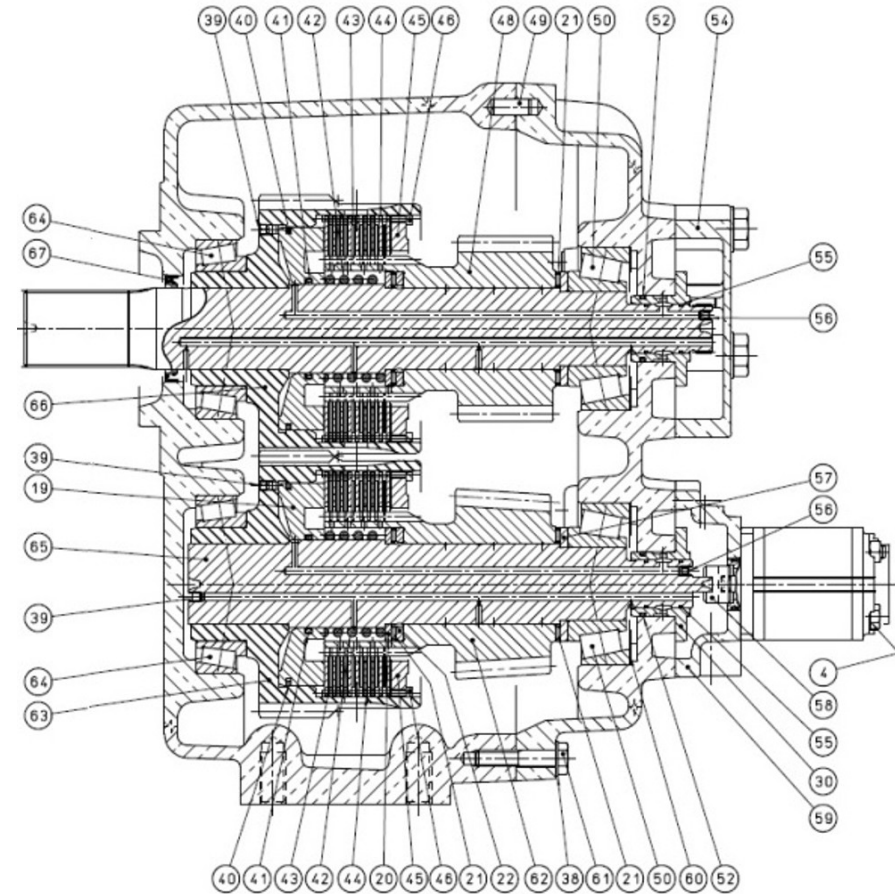
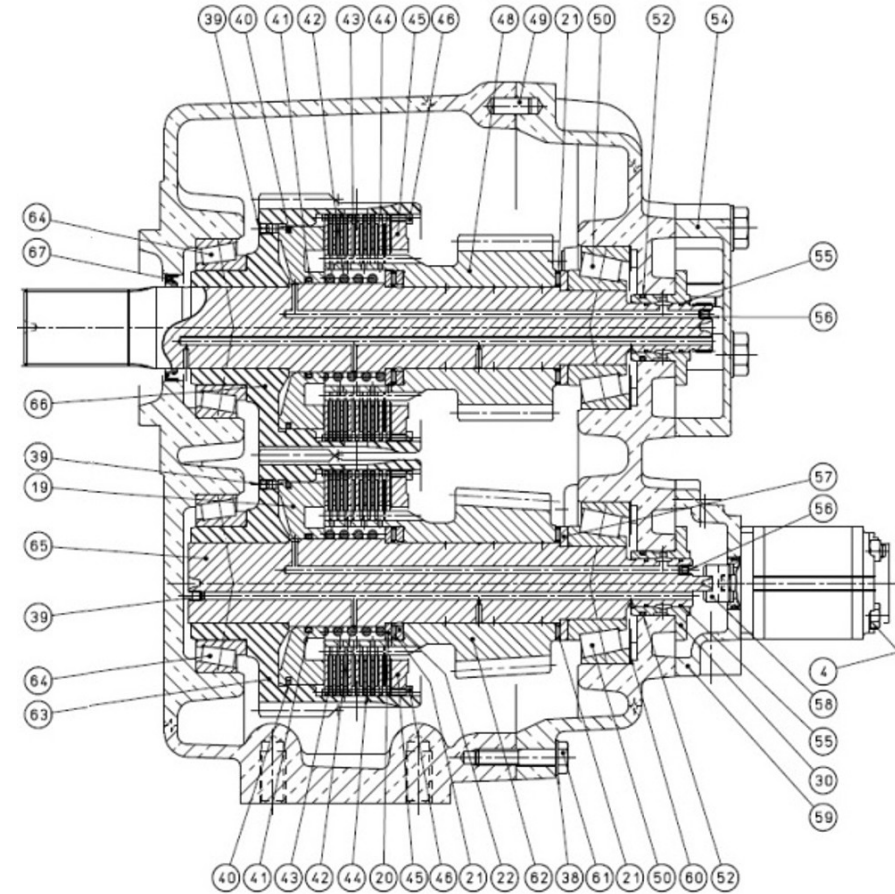
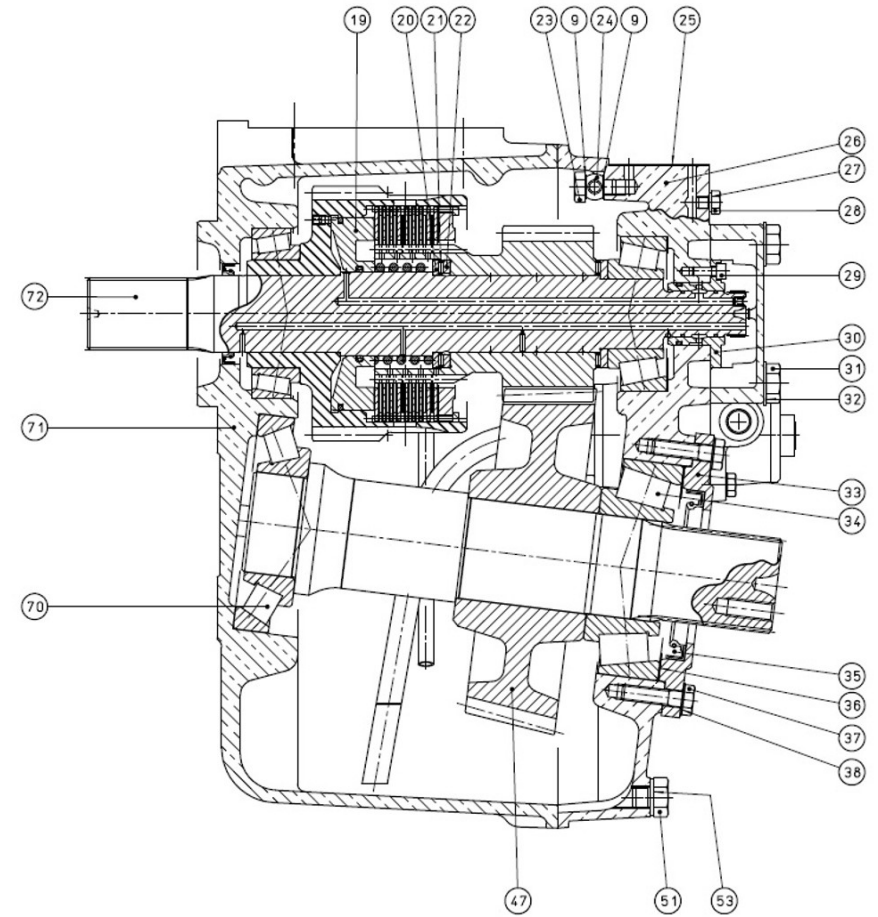


Fig.	Ref.	Qty.	Descr.	Obs	From	UpTo
62B	24846204	1	Gear Ratio 2			
62C	24846205	1	Gear Ratio 2,3			
63	24846058	1	Clutch Plate			
64	24846207	2	Bearing			
65	24846201	1	Output Shaft			
66	24846057	1	Clutch Plate			
67	24846215	1	Seal			



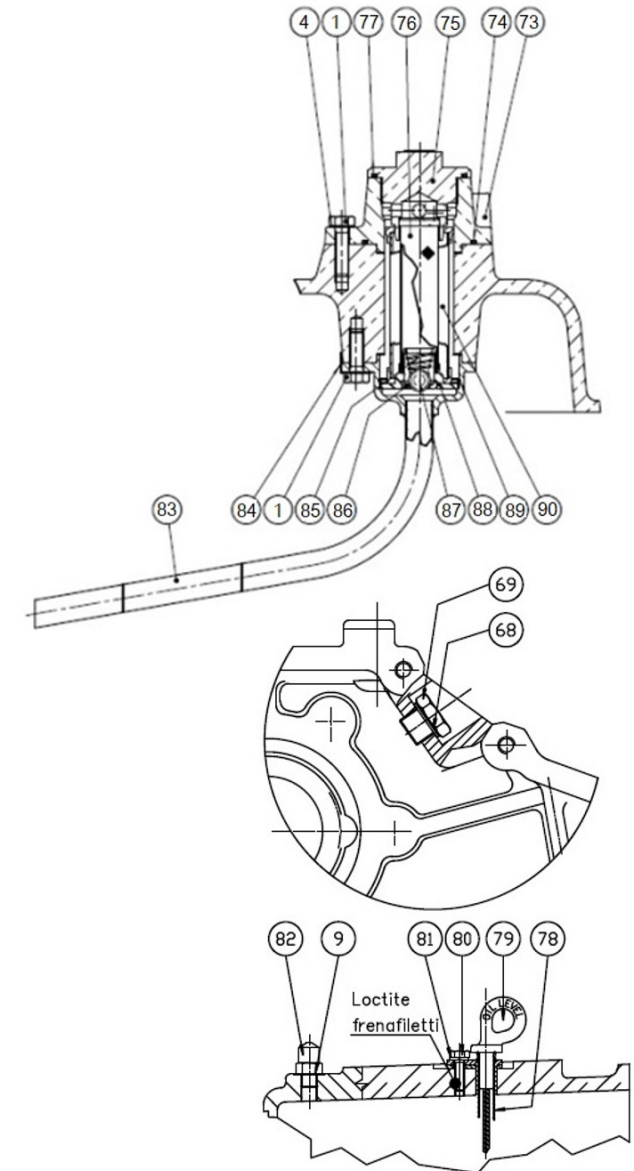
D_5038_3 Sheet 3/4

Fig.	Ref.	Qty.	Descr.	Obs	From	UpTo
9	24810063	6	Plane Washer			
19	24846124	2	Piston			
20	24846310	2	Washer			
21	24846110	4	Bearing			
22	24846318	2	Washer			
23	24846083	2	Screw, Racord			
24	24846085	1	Tube			
25	24846015	1	Gasket			
26	24846102	1	Cover			
27	24820086	1	Washer			
28	24820068	1	Plug M8X1			
29	24846044	6	Screw			
30	24846500	2	Bushing			
31	24846022	4	Screw			
32	24846092	4	Washer			
33	24846208	1	Cover			
34	24846206	1	Bearing			
35	24846999	1	Seal			
36	24846217	3	Spacer			
37	24840010.7	8	Screw M10X40			
38	24840010.6	22	Washer 10			
47	24846201C	1	Output Shaft Kit			
51	24810011	1	Plug,oil drain			
53	24810088	1	Plane Washer			
70	24846212	1	Bearing			
71	24846001	1	Case			
72	24846101	1	Primary Shaft			



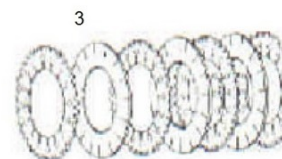
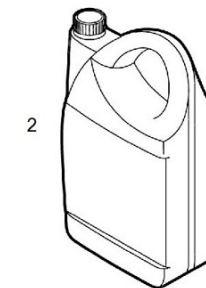
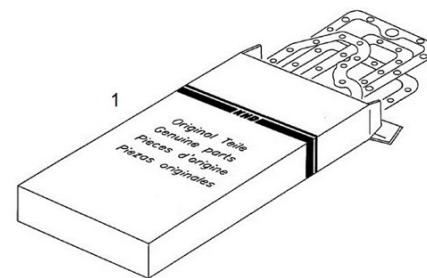
D_5038_4 Sheet 4/4

Fig.	Ref.	Qty.	Descr.	Obs	From	UpTo
1	24830106	11	Screw			
4	24850093	10	Washer			
9	24810063	6	Plane Washer			
68	24830016	1	Washer			
69	24830017	1	Plug			
73	24846007	1	Oil Filter Cover			
74	24846111	1	O-Ring			
75	24846024	1	Plug			
76	24846035	1	Oil Filter			
77	24846009	1	O-Ring			
78	24846529	1	Tube Gauge Oil Level			
79	24846008	1	Gauge Oil Level			
80	24846076	1	Screw			
81	24810042	1	Washer			
82	24810065	1	Plug			
83	24846084	1	Pipe,inlet			
84	24846023	4	Washer			
85	24810030	1	Valve Spring			
86	24846103	1	Cover			
87	24846029	1	Ball			
88	24846006	1	Filter Cover			
89	24846025	1	Washer			
90	24846036	1	Oil Filter			



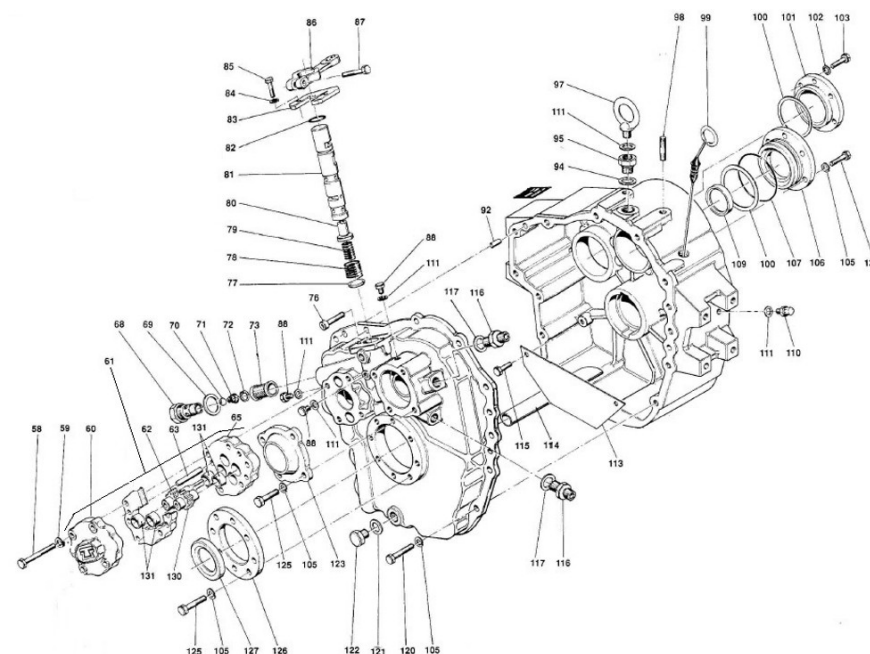
D_5038_5 Maintenance Kit

Fig.	Ref.	Qty.	Descr.	Obs	From	UpTo
1	24846401	1	Gasket and Seal Kit TM-1200A			
2	A0105000	1	15W40 Sole Diesel Oil 5L			
3	24846403	2	Clutch Plate Kit TM-1200A			



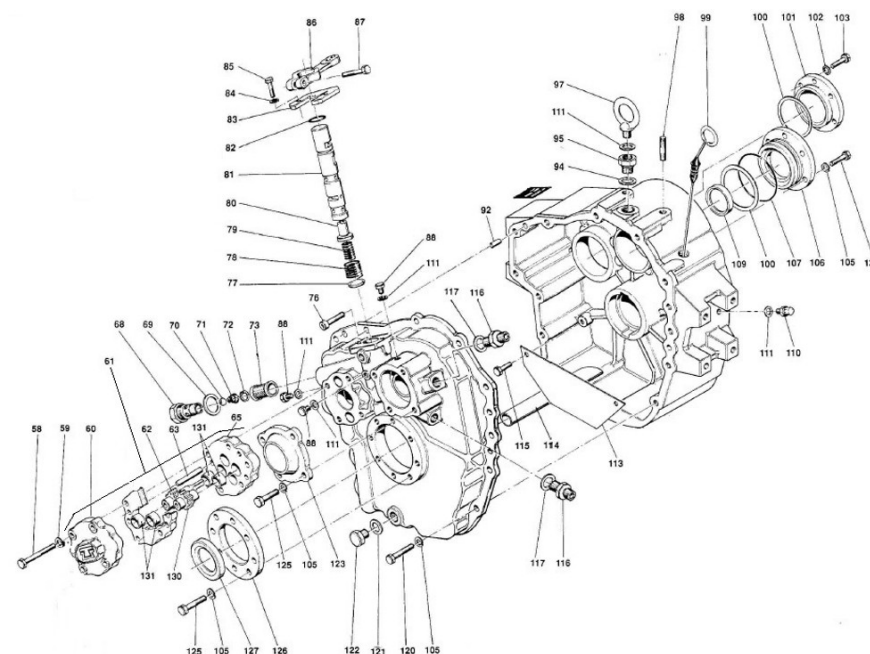
D_5021_1.1 Sheet 1.1/4

Fig.	Ref.	Qty.	Descr.	Obs	From	UpTo
58	52101266	4	Bolt DIN 931 M8-65 8.8			
58	52101266	4	Bolt DIN 931 M8-65 8.8			
59	53033008	4	Washer GROWER DIN 127-8			
59	53033008	4	Washer GROWER DIN 127-8			
60	24820015.1	1	Oil Pump Body			
60	24820015.1	1	Oil Pump Body			
61	24810017	1	Oil Pump Kit			
61	24810017	1	Oil Pump Kit			
62	24810096	1	Gear, Driver			
62	24810096	1	Gear, Driver			
63	24820023.1	2	Pin			
63	24820023.1	2	Pin			
65	24810026.1	1	Cover			
65	24810026.1	1	Cover			
68	24810024	1	Plug, Oil Filter DRAIN			
68	24810024	1	Plug, Oil Filter DRAIN			
69	24810027	1	Washer			
69	24810027	1	Washer			
70	18024143	1	Ball,steel 1/2"			
70	18024143	1	Ball,steel 1/2"			
71	24810030	1	Valve Spring			
71	24810030	1	Valve Spring			
72	24810032	1	SNAP Ring			
72	24810032	1	SNAP Ring			
73	24810035C	1	Oil Filter			
73	24810035C	1	Oil Filter			
76	52103309	1	Bolt DIN 912 M10-30 8.8			
76	52103309	1	Bolt DIN 912 M10-30 8.8			
77	24810055	1	Expansion Plug			
77	24810055	1	Expansion Plug			
78	24810054	1	Spring, Valve			



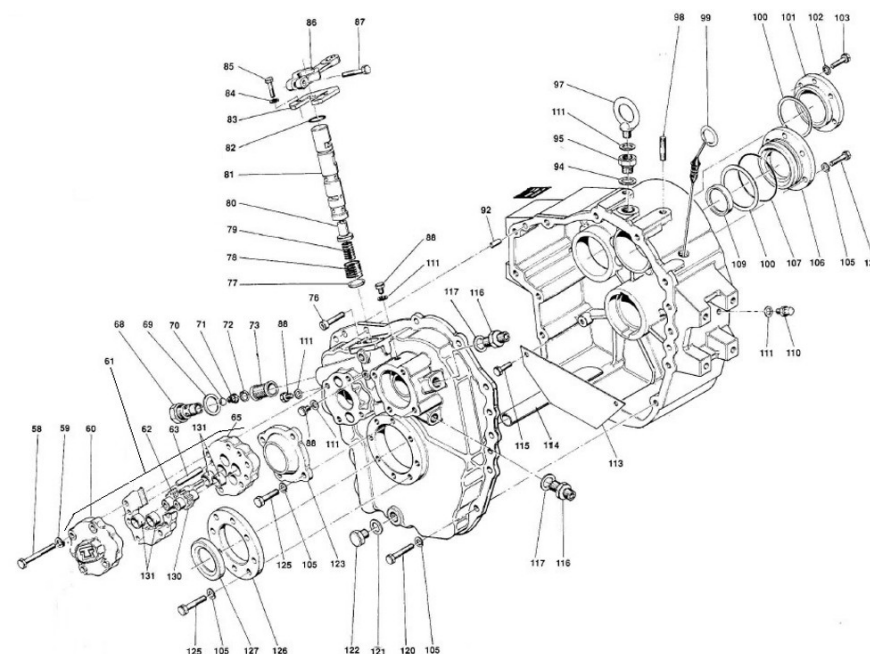
D_5021_1.1 Sheet 1.1/4

Fig.	Ref.	Qty.	Descr.	Obs	From	UpTo
79	24810053	1	Spring, Valve INNER			
80	24810052	1	Valve			
80	24810052	1	Valve			
81	24810051	1	Distributor			
81	24810051	1	Distributor			
82	24810045	1	O-Ring D. 15,08X2,62			
82	24810045	1	O-Ring D. 15,08X2,62			
83	24810041	1	Support			
83	24810041	1	Support			
84	53033006	2	Washer GROWER DIN 127-6			
84	53033006	2	Washer GROWER DIN 127-6			
85	52102156	2	Bolt DIN 933 M6-16 8.8			
85	52102156	2	Bolt DIN 933 M6-16 8.8			
86	24810424	1	Lever			
86	24810424	1	Lever			
87	52102258	1	Bolt DIN 933 M8-25 8.8			
87	52102258	1	Bolt DIN 933 M8-25 8.8			
88	24840039	3	Plug			
88	24840039	3	Plug			
92	24820090	2	Pin			
92	24820090	2	Pin			
94	56000083	1	Washer 21-26-1,5			
94	56000083	1	Washer 21-26-1,5			
95	24810068	1	Plug			
95	24810068	1	Plug			
97	24810012	1	Nut			
97	24810012	1	Nut			
98	24820071	1	Stud			
98	24820071	1	Stud			
99	24840008	1	Gauge Oil LEVEL			
99	24840008	1	Gauge Oil LEVEL			



D_5021_1.1 Sheet 1.1/4

Fig.	Ref.	Qty.	Descr.	Obs	From	UpTo
100A	24840073	0	Spacer T=0.1 mm	#		
100B	24840074	0	Spacer T=0.3	#		
100B	24840074	0	Spacer T=0.3	#		
100C	24840076	0	Spacer T=0.15 mm	#		
100C	24840076	0	Spacer T=0.15 mm	#		
101	24840075	1	Cover, Shaft			
101	24840075	1	Cover, Shaft			
102	24840077	1	Gear			
102	24840077	1	Gear			
103	24840078	6	Screw			
103	24840078	6	Screw			
105	53033010	26	Washer GROWER DIN 127-10			
105	53033010	26	Washer GROWER DIN 127-10			
106	24840072	1	Cover, Input Shaft			
106	24840072	1	Cover, Input Shaft			
107	24840111	1	O-Ring D. 110X3,5			
107	24840111	1	O-Ring D. 110X3,5			
109	24840103	1	Grommet			
109	24840103	1	Grommet			
110	24810065	1	Plug			
110	24810065	1	Plug			
111	24810063	5	Plane Washer			
111	24810063	5	Plane Washer			
113	24840080	1	Plate Pipe			
113	24840080	1	Plate Pipe			
114	24840081	1	Tube, Aspiration			
114	24840081	1	Tube, Aspiration			
115	52102254	2	Bolt DIN 933 M8-10 8.8			
115	52102254	2	Bolt DIN 933 M8-10 8.8			
116	24810060	2	Racord			
116	24810060	2	Racord			



D_5021_1.1 Sheet 1.1/4

Fig.	Ref.	Qty.	Descr.	Obs	From	UpTo
117	24810059	2	Plane Washer			
120	52102309	19	Bolt DIN 933 M10-30 8.8			
120	52102309	19	Bolt DIN 933 M10-30 8.8			
121	56000069	1	Washer 14-20-1,5			
121	56000069	1	Washer 14-20-1,5			
122	24810011	1	Plug,oil drain			
122	24810011	1	Plug,oil drain			
123	24840038	1	Cover			
123	24840038	1	Cover			
125	24840040	12	Screw			
125	24840040	12	Screw			
126	24840208	1	Cover Front			
126	24840208	1	Cover Front			
127	24840214	1	Grommet			
127	24840214	1	Grommet			
130	24810095	1	Gear, Driven			
130	24810095	1	Gear, Driven			
131	24810025	4	Bushing			
131	24810025	4	Bushing			
NS	52103158	3	Bolt DIN 912 M6-25 8.8			
NS	52103158	3	Bolt DIN 912 M6-25 8.8			

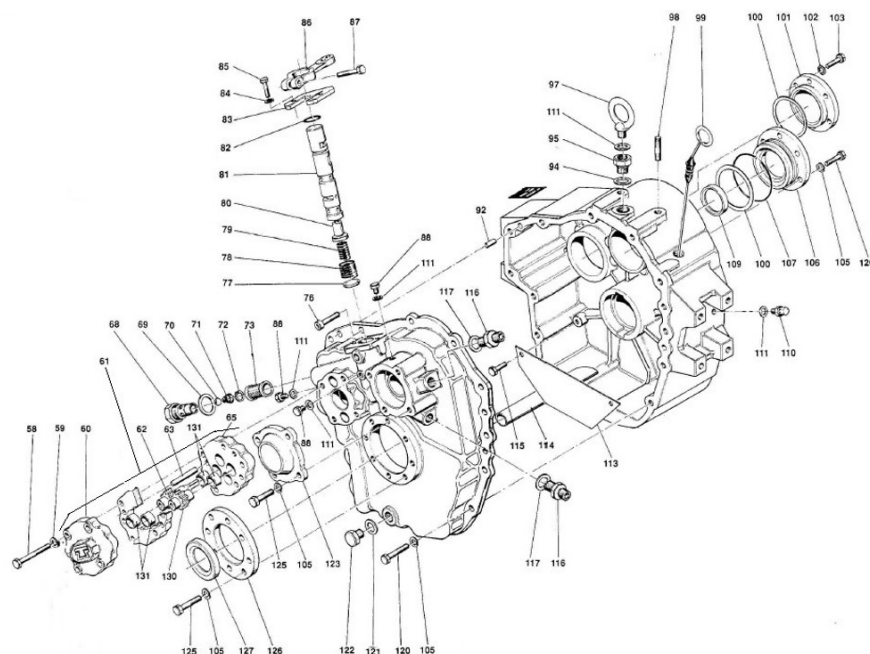
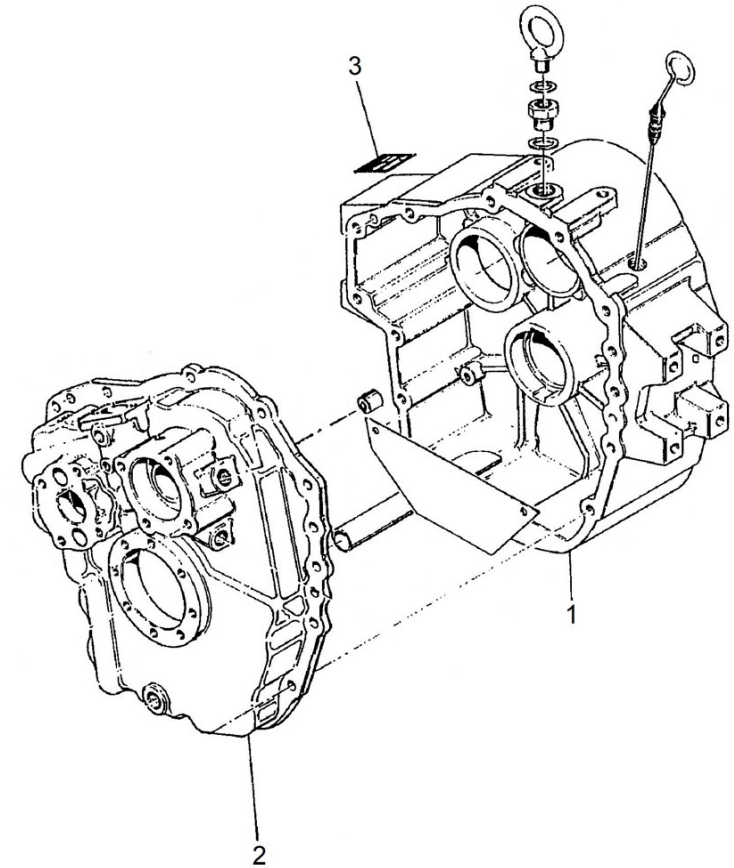
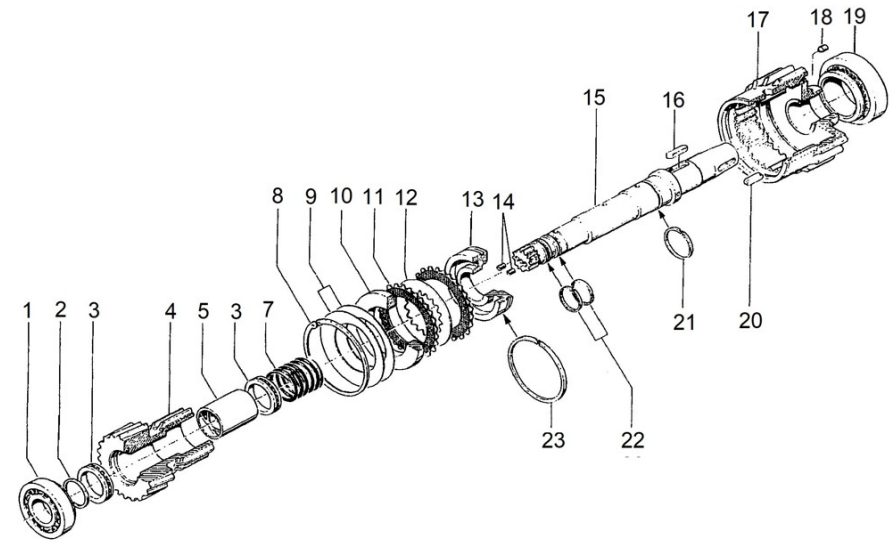


Fig.	Ref.	Qty.	Descr.	Obs	From	UpTo
1	24840001	1	Front Body TM265			
2	24840002	1	REVERSE Body TM265			
3	24820005.1	1	NAME Plate			



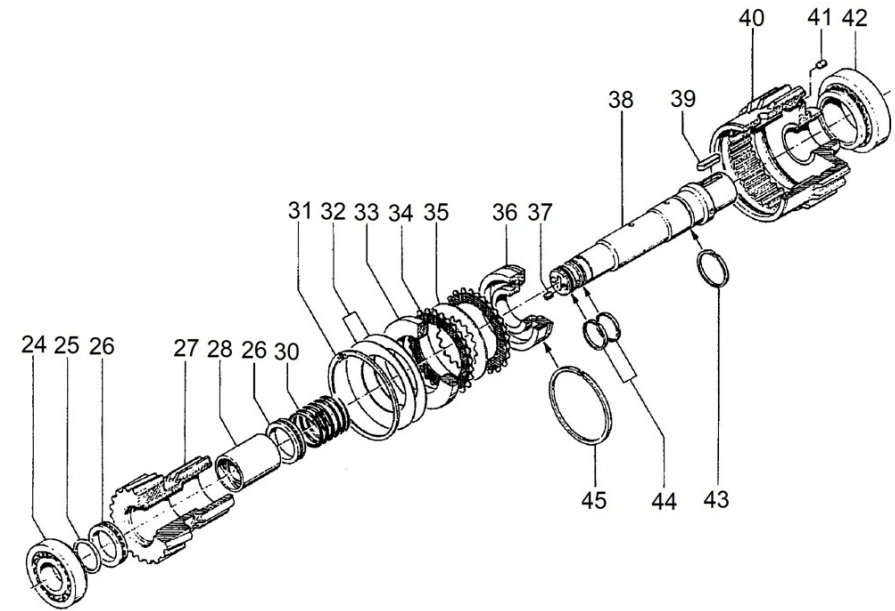
D_5021_2 Input Shaft 2/4

Fig.	Ref.	Qty.	Descr.	Obs	From	UpTo
1	24840104	1	Conical Roller Bearing 32309			
2	24840105	1	Washer			
3	24840106	2	Ball Bearing AXIAL 51110			
4A	24841203	1	Gear R. 1,16 TM 265			
4B	24842203	1	Gear R. 1,44 TM 265			
4C	24843203	1	Gear R. 2 TM 265			
4D	24845203	1	Gear R. 2,82 TM 265			
5	24840117	1	Bushing			
7	24840122	1	Spring			
8	24840128	1	SNAP Ring			
9	24840129	2	Ring			
10	24840113	1	Grommet			
11	24840115	9	Conduct DISK			
12	24840116	8	ConductOR Disk			
13	24840124	1	Piston			
14	24840127	2	Plug			
15	24840101	1	Input Shaft			
16	24830211	1	KEY			
17	24840130	1	Bell			
18	24810334	1	Plug			
19	24840134	1	Conical Roller Bearing 33113			
20	24840133	1	KEY			
21	24840126	1	Washer			
22	24840123	2	Washer			
23	24840125	1	Washer			



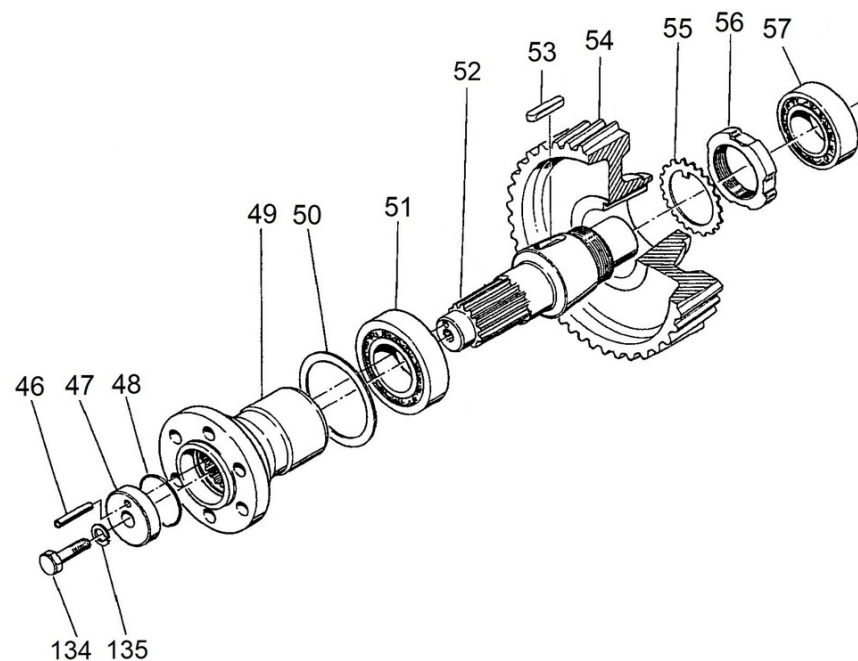
D_5021_3 Intermediate Shaft 3/4

Fig.	Ref.	Qty.	Descr.	Obs	From	UpTo
24	24840104	1	Conical Roller Bearing 32309			
25	24840105	1	Washer			
26	24840106	2	Ball Bearing AXIAL 51110			
27A	24841203	1	Gear R. 1,16 TM 265			
27B	24842203	1	Gear R. 1,44 TM 265			
27C	24843203	1	Gear R. 2 TM 265			
27D	24845203	1	Gear R. 2,82 TM 265			
28	24840117	1	Bushing			
30	24840122	1	Spring			
31	24840128	1	SNAP Ring			
32	24840129	2	Ring			
33	24840113	1	Grommet			
34	24840115	9	Conduct DISK			
35	24840116	8	ConductOR Disk			
36	24840124	1	Piston			
37	24840127	1	Plug			
38	24840301	1	INTERMEDIATE Shaft			
39	24830211	1	KEY			
40	24840130	1	Bell			
41	24810334	1	Plug			
42	24840134	1	Conical Roller Bearing 33113			
43	24840126	1	Washer			
44	24840123	2	Washer			
45	24840125	1	Washer			



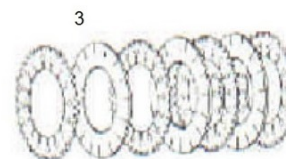
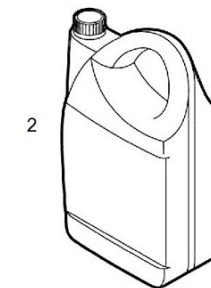
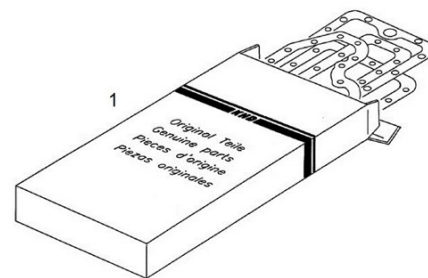
D_5021_4 Output Shaft 4/4

Fig.	Ref.	Qty.	Descr.	Obs	From	UpTo
46	24840220	1	Pin			
47	24840219	1	Washer, BUTT Flange			
48	24840225	1	O-Ring D. 55X5,3			
49	24840224	1	Flange, Output			
50A	24840226	0	Spacer T=0.1 mm	#		
50B	24840228	0	Spacer T=0.3 mm	#		
50C	24840229	0	Spacer T=0.15 mm	#		
51	24840206	1	Conical Roller Bearing 32312			
52	24840201	1	Output Shaft			
53	24840211	1	KEY			
54A	24842210	1	Gear Red. 1,16 TM 265			
54B	24843210	1	Gear R. 1,44 TM 265			
54C	24844210	1	Gear R. 2 TM 265			
54D	24845210	1	Gear R. 2,82 TM 265			
55	24840227	1	Gear			
56	24840213	1	Nut			
57	24840212	1	Conical Roller Bearing 32310			
134	24840222	1	Screw M18x50			
135	24840221	1	Washer D.18			



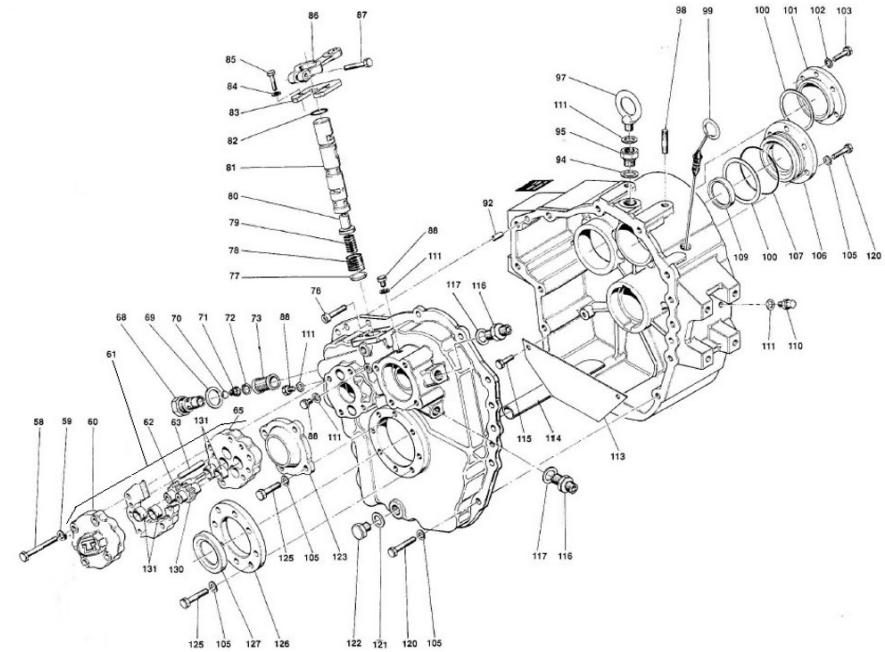
D_5021_5 Maintenance Kit

Fig.	Ref.	Qty.	Descr.	Obs	From	UpTo
1	24840401	1	Kit Gasket			
1	24840401	1	Kit Gasket			
2	A0105000	1	15W40 Sole Diesel Oil 5L			
2	A0105000	1	15W40 Sole Diesel Oil 5L			
3	24840403	2	Clutch Plate Kit			
3	24840403	2	Clutch Plate Kit			



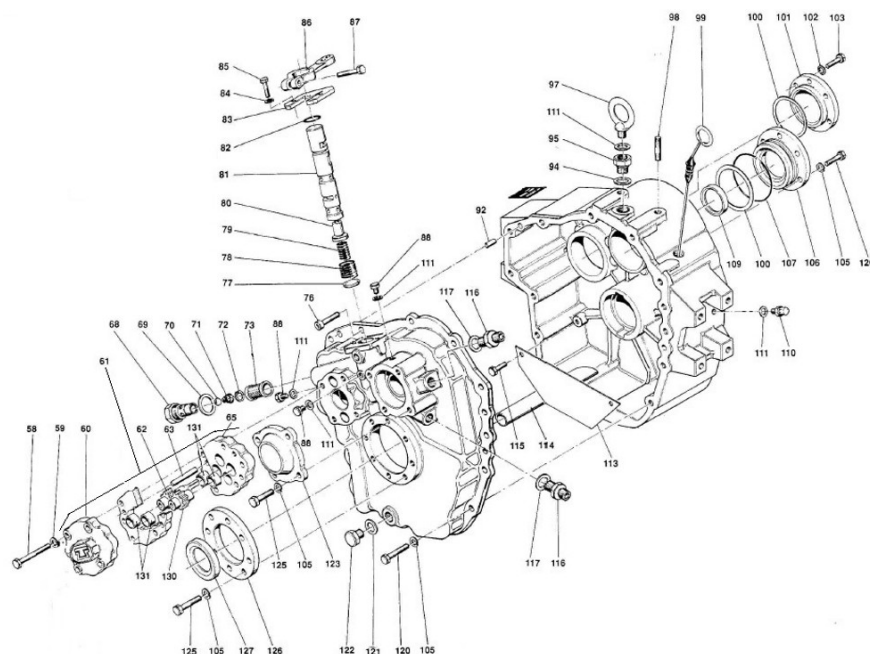
D_5021_1.1 Sheet 1.1/4

Fig.	Ref.	Qty.	Descr.	Obs	From	UpTo
58	52101266	4	Bolt DIN 931 M8-65 8.8			
58	52101266	4	Bolt DIN 931 M8-65 8.8			
59	53033008	4	Washer GROWER DIN 127-8			
59	53033008	4	Washer GROWER DIN 127-8			
60	24820015.1	1	Oil Pump Body			
60	24820015.1	1	Oil Pump Body			
61	24810017	1	Oil Pump Kit			
61	24810017	1	Oil Pump Kit			
62	24810096	1	Gear, Driver			
62	24810096	1	Gear, Driver			
63	24820023.1	2	Pin			
63	24820023.1	2	Pin			
65	24810026.1	1	Cover			
65	24810026.1	1	Cover			
68	24810024	1	Plug, Oil Filter DRAIN			
68	24810024	1	Plug, Oil Filter DRAIN			
69	24810027	1	Washer			
69	24810027	1	Washer			
70	18024143	1	Ball,steel 1/2"			
70	18024143	1	Ball,steel 1/2"			
71	24810030	1	Valve Spring			
71	24810030	1	Valve Spring			
72	24810032	1	SNAP Ring			
72	24810032	1	SNAP Ring			
73	24810035C	1	Oil Filter			
73	24810035C	1	Oil Filter			
76	52103309	1	Bolt DIN 912 M10-30 8.8			
76	52103309	1	Bolt DIN 912 M10-30 8.8			
77	24810055	1	Expansion Plug			
77	24810055	1	Expansion Plug			
78	24810054	1	Spring, Valve			



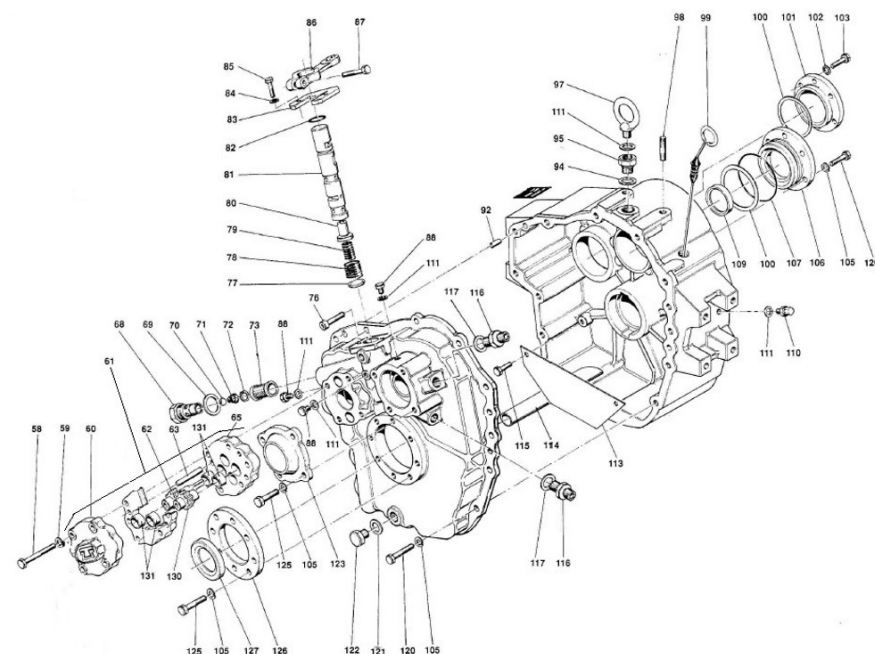
D_5021_1.1 Sheet 1.1/4

Fig.	Ref.	Qty.	Descr.	Obs	From	UpTo
79	24810053	1	Spring, Valve INNER			
80	24810052	1	Valve			
80	24810052	1	Valve			
81	24810051	1	Distributor			
81	24810051	1	Distributor			
82	24810045	1	O-Ring D. 15,08X2,62			
82	24810045	1	O-Ring D. 15,08X2,62			
83	24810041	1	Support			
83	24810041	1	Support			
84	53033006	2	Washer GROWER DIN 127-6			
84	53033006	2	Washer GROWER DIN 127-6			
85	52102156	2	Bolt DIN 933 M6-16 8.8			
85	52102156	2	Bolt DIN 933 M6-16 8.8			
86	24810424	1	Lever			
86	24810424	1	Lever			
87	52102258	1	Bolt DIN 933 M8-25 8.8			
87	52102258	1	Bolt DIN 933 M8-25 8.8			
88	24840039	3	Plug			
88	24840039	3	Plug			
92	24820090	2	Pin			
92	24820090	2	Pin			
94	56000083	1	Washer 21-26-1,5			
94	56000083	1	Washer 21-26-1,5			
95	24810068	1	Plug			
95	24810068	1	Plug			
97	24810012	1	Nut			
97	24810012	1	Nut			
98	24820071	1	Stud			
98	24820071	1	Stud			
99	24840008	1	Gauge Oil LEVEL			
99	24840008	1	Gauge Oil LEVEL			



D_5021_1.1 Sheet 1.1/4

Fig.	Ref.	Qty.	Descr.	Obs	From	UpTo
100A	24840073	0	Spacer T=0.1 mm	#		
100B	24840074	0	Spacer T=0.3	#		
100B	24840074	0	Spacer T=0.3	#		
100C	24840076	0	Spacer T=0.15 mm	#		
100C	24840076	0	Spacer T=0.15 mm	#		
101	24840075	1	Cover, Shaft			
101	24840075	1	Cover, Shaft			
102	24840077	1	Gear			
102	24840077	1	Gear			
103	24840078	6	Screw			
103	24840078	6	Screw			
105	53033010	26	Washer GROWER DIN 127-10			
105	53033010	26	Washer GROWER DIN 127-10			
106	24840072	1	Cover, Input Shaft			
106	24840072	1	Cover, Input Shaft			
107	24840111	1	O-Ring D. 110X3,5			
107	24840111	1	O-Ring D. 110X3,5			
109	24840103	1	Grommet			
109	24840103	1	Grommet			
110	24810065	1	Plug			
110	24810065	1	Plug			
111	24810063	5	Plane Washer			
111	24810063	5	Plane Washer			
113	24840080	1	Plate Pipe			
113	24840080	1	Plate Pipe			
114	24840081	1	Tube, Aspiration			
114	24840081	1	Tube, Aspiration			
115	52102254	2	Bolt DIN 933 M8-10 8.8			
115	52102254	2	Bolt DIN 933 M8-10 8.8			
116	24810060	2	Racord			
116	24810060	2	Racord			



D_5021_1.1 Sheet 1.1/4

Fig.	Ref.	Qty.	Descr.	Obs	From	UpTo
117	24810059	2	Plane Washer			
120	52102309	19	Bolt DIN 933 M10-30 8.8			
120	52102309	19	Bolt DIN 933 M10-30 8.8			
121	56000069	1	Washer 14-20-1,5			
121	56000069	1	Washer 14-20-1,5			
122	24810011	1	Plug,oil drain			
122	24810011	1	Plug,oil drain			
123	24840038	1	Cover			
123	24840038	1	Cover			
125	24840040	12	Screw			
125	24840040	12	Screw			
126	24840208	1	Cover Front			
126	24840208	1	Cover Front			
127	24840214	1	Grommet			
127	24840214	1	Grommet			
130	24810095	1	Gear, Driven			
130	24810095	1	Gear, Driven			
131	24810025	4	Bushing			
131	24810025	4	Bushing			
NS	52103158	3	Bolt DIN 912 M6-25 8.8			
NS	52103158	3	Bolt DIN 912 M6-25 8.8			

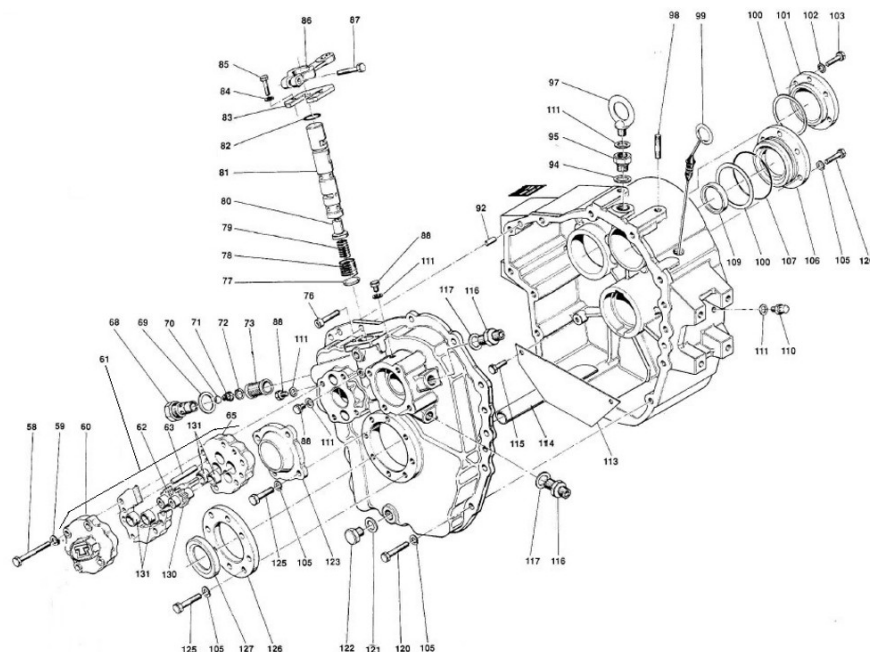
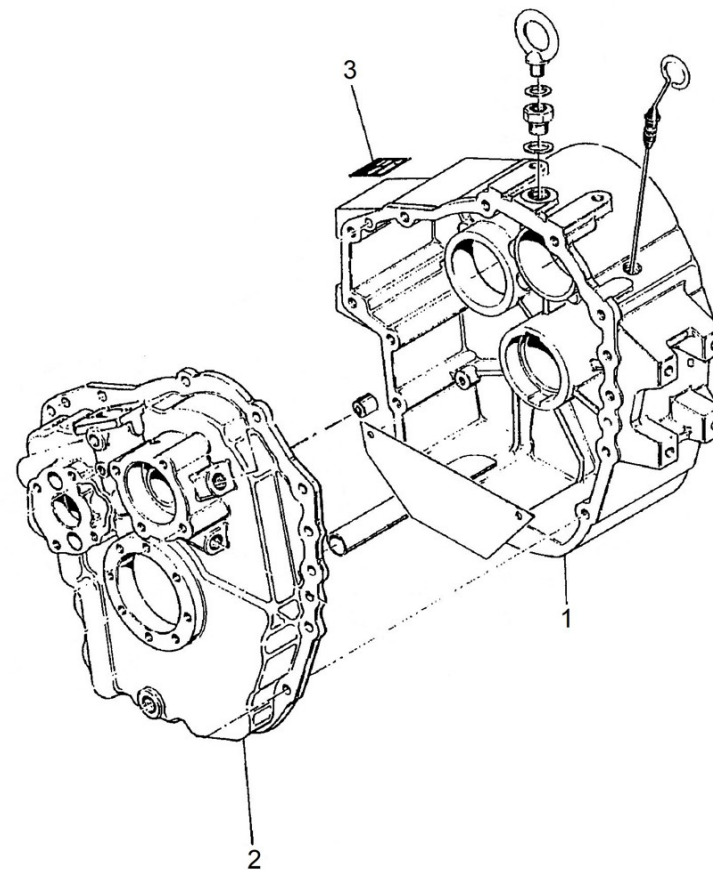
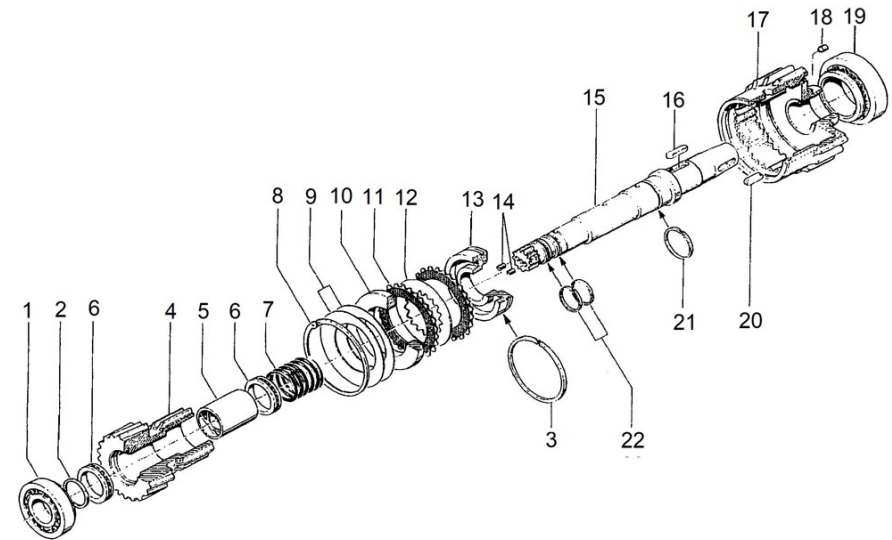


Fig.	Ref.	Qty.	Descr.	Obs	From	UpTo
1	24840001A	1	Front Body TM265A			
2	24840002A	1	Reverse Body TM265A			
3	24820005.1	1	NAME Plate			



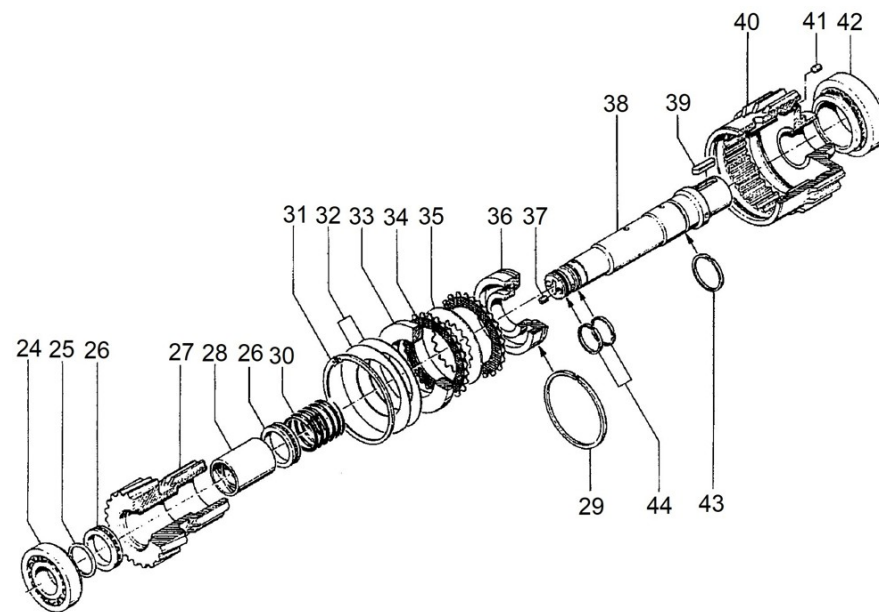
D_5022_2 Input Shaft 2/4

Fig.	Ref.	Qty.	Descr.	Obs	From	UpTo
1	24840104	1	Conical Roller Bearing 32309			
2	24840105	1	Washer			
3	24840125	1	Washer			
4A	24842203A	1	Gear R. 1,44 TM 265A			
4B	24843203A	1	Gear R. 2 TM 265A			
4C	24844203A	1	Gear R. 2,3 TM 265A			
5	24840117	1	Bushing			
6	24840106	2	Ball Bearing AXIAL 51110			
7	24840122	1	Spring			
8	24840128	1	SNAP Ring			
9	24840129	2	Ring			
10	24840113	1	Grommet			
11	24840115	9	Conduct DISK			
12	24840116	8	ConductOR Disk			
13	24840124	1	Piston			
14	24840127	2	Plug			
15	24840101	1	Input Shaft			
16	24830211	1	KEY			
17	24840130	1	Bell			
18	24810334	1	Plug			
19	24840134	1	Conical Roller Bearing 33113			
20	24840133	1	KEY			
21	24840126	1	Washer			
22	24840123	2	Washer			



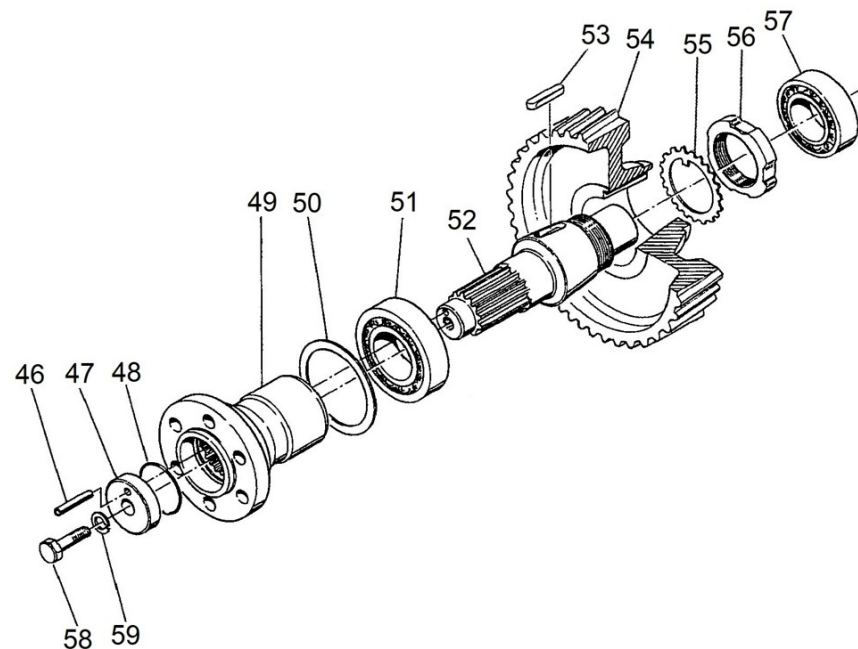
D_5022_3 Intermediate Shaft 3/4

Fig.	Ref.	Qty.	Descr.	Obs	From	UpTo
24	24840104	1	Conical Roller Bearing 32309			
25	24840105	1	Washer			
26	24840106	2	Ball Bearing AXIAL 51110			
27A	24842302A	1	Gear R. 1,44 TM 265A			
27B	24843302A	1	Gear R. 2 TM 265A			
27C	24844302A	1	Gear R. 2,3 TM 265A			
28	24840117	1	Bushing			
29	24840125	1	Washer			
30	24840122	1	Spring			
31	24840128	1	SNAP Ring			
32	24840129	2	Ring			
33	24840113	1	Grommet			
34	24840115	9	Conduct DISK			
35	24840116	8	ConductOR Disk			
36	24840124	1	Piston			
37	24840127	1	Plug			
38	24840301	1	INTERMEDIATE Shaft			
39	24830211	1	KEY			
40	24840130	1	Bell			
41	24810334	1	Plug			
42	24840134	1	Conical Roller Bearing 33113			
43	24840126	1	Washer			
44	24840123	2	Washer			



D_5022_4 Output Shaft 4/4

Fig.	Ref.	Qty.	Descr.	Obs	From	UpTo
46	24840220	1	Pin			
47	24840219	1	Washer, BUTT Flange			
48	24840225	1	O-Ring D. 55X5,3			
49	24840224	1	Flange, Output			
50A	24840226	1	Spacer T=0.1 mm			
50B	24840228	1	Spacer T=0.3 mm			
50C	24840229	1	Spacer T=0.15 mm			
51	24840206	1	Conical Roller Bearing 32312			
52	24840201	1	Output Shaft			
53	24840211	1	KEY			
54A	24842210A	1	Gear R. 1,44 TM 265A			
54B	24843210A	1	Gear R. 2 TM 265A			
54C	24844210A	1	Gear R. 2,3 TM 265A			
55	24840227	1	Gear			
56	24840213	1	Nut			
57	24840212	1	Conical Roller Bearing 32310			
58	24840222	1	Screw M18x50			
59	24840221	1	Washer D.18			



D_5021_5 Maintenance Kit

Fig.	Ref.	Qty.	Descr.	Obs	From	UpTo
1	24840401	1	Kit Gasket			
1	24840401	1	Kit Gasket			
2	A0105000	1	15W40 Sole Diesel Oil 5L			
2	A0105000	1	15W40 Sole Diesel Oil 5L			
3	24840403	2	Clutch Plate Kit			
3	24840403	2	Clutch Plate Kit			

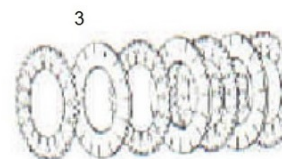
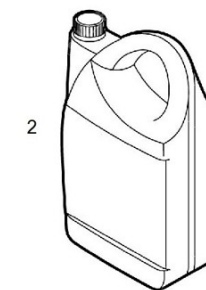
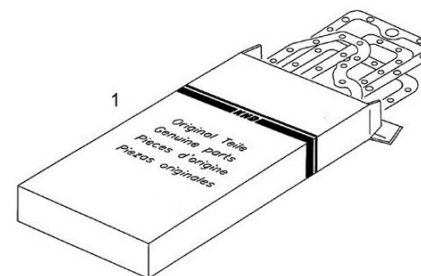
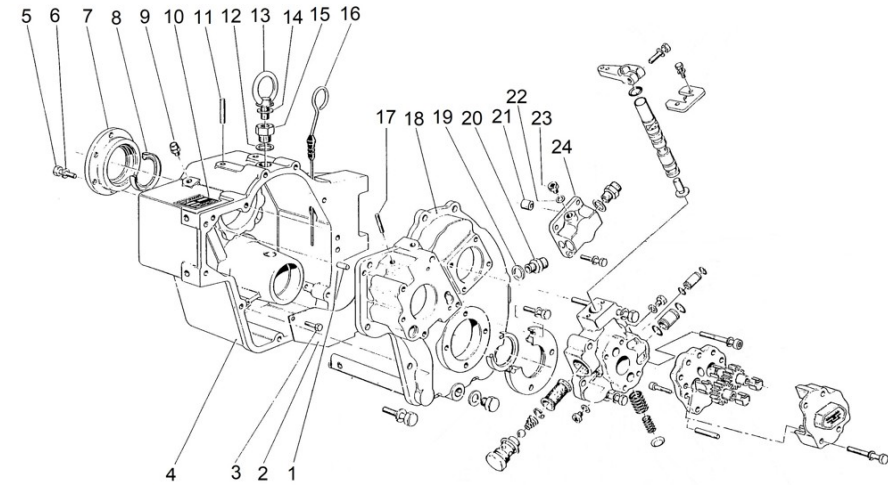
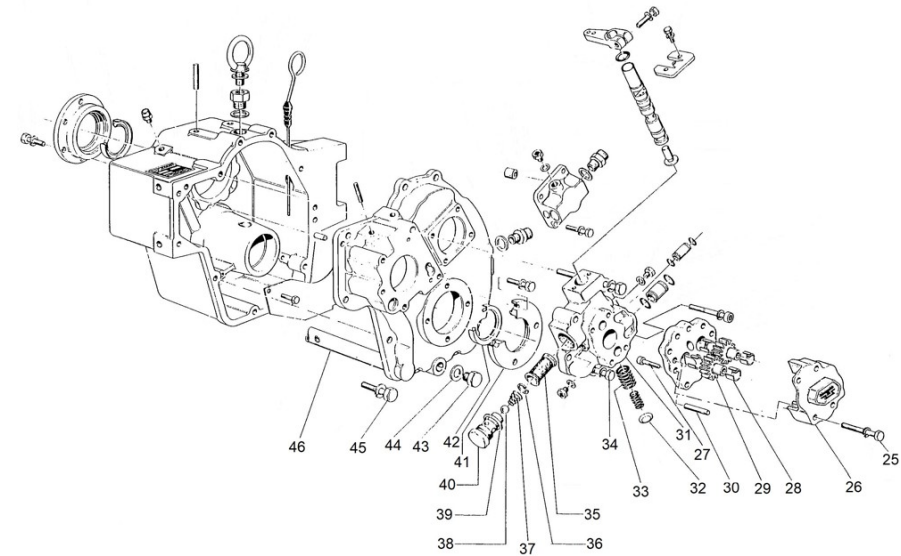


Fig.	Ref.	Qty.	Descr.	Obs	From	UpTo
1	24820090	2	Pin			
2	24816080	1	Plate Pipe			
3	24810082	2	Screw			
4	24816001	1	Front Body TM 880A			
5	24810047	6	Screw			
6	24810014	6	Washer			
7	24820072	1	Cover Input Shaft			
8	24820103	1	Oil Grommet			
9	24810065	1	Plug			
10	24820005.1	1	NAME Plate			
11	24810071	2	Stud			
12	56000083	1	Washer 21-26-1,5			
13	24810012	1	Nut			
14	24810063	1	Plane Washer			
15	24810068	1	Plug			
16	24810008	1	ROD, Oil LEVEL			
17	24820071	2	Stud			
18	24816002	1	REVERSE Body TM 880A			
19	24810059	1	Plane Washer			
20	24810060	1	Racord			
21	24810062	1	Valve BY PASS			
22	24820086	1	Washer			
23	24830105	1	Plug			
24	24820102	1	Cover, REAR			



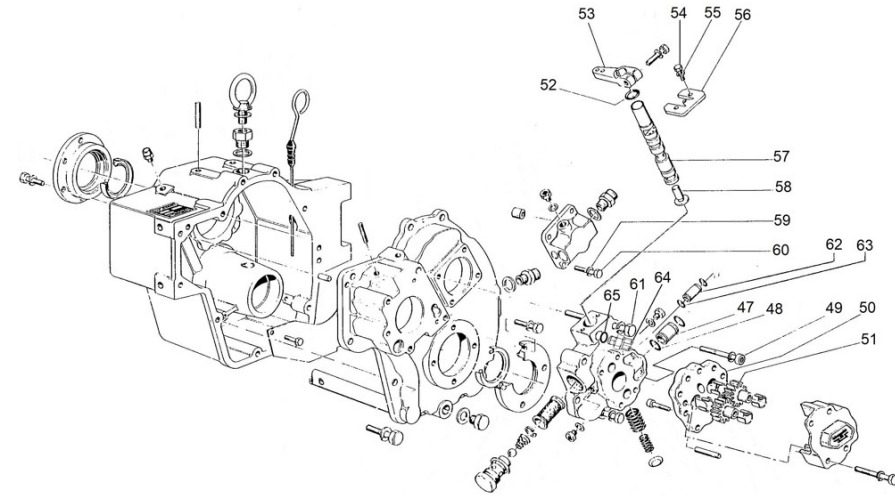
D_5026_1.2 Sheet 1.2/4

Fig.	Ref.	Qty.	Descr.	Obs	From	UpTo
25	24810013	4	Screw			
26	24820015.1	1	Oil Pump Body			
27	24820025.1	3	Screw			
28	24810025	4	Bushing			
29	24810096	1	Gear, Driver			
30	24820023.1	2	Pin			
31	24820026	1	Distributor Cap			
32	24810055	1	Expansion Plug			
33	24816054	1	Spring, Valve			
34	24820098	2	Screw M10X50			
35	24810035	1	Oil Filter			
36	24810032	1	SNAP Ring			
37	24810030	1	Valve Spring			
38	18024143	1	Ball,steel 1/2"			
39	24810027	1	Washer			
40	24810024	1	Plug, Oil Filter DRAIN			
41	24820208	1	Cover Front			
42	24820214	1	Grommet			
43	24810011	1	Plug,oil drain			
44	24810088	1	Plane Washer			
45	52101314	1	Bolt DIN 931 M10-55 8.8			
46	24816081	1	Aspiration Tube TM 880A			
NS	52103311	9	Bolt DIN 912 M10-40 8.8			



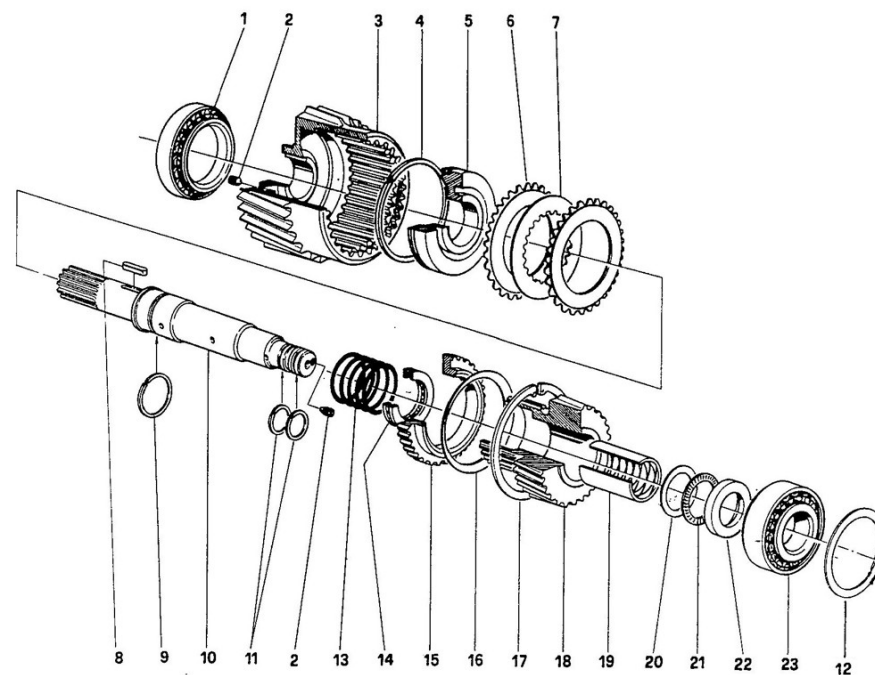
D_5026_1.3 Sheet 1.3/4

Fig.	Ref.	Qty.	Descr.	Obs	From	UpTo
47	24820062	2	Tube, Racord			
48	24820063	2	O-Ring D. 15X1,7			
49	24820013	2	Screw M10X30			
50	24810026.1	3	Cover			
51	24810095	3	Gear, Driven			
52	24810056	1	O-Ring			
53	24810424	1	Lever			
54	24810044	2	Screw			
55	24810042	2	Washer			
56	24810041	1	Support			
57	24810051	1	Distributor			
58	24810052	1	Valve			
59	24820075	4	Washer			
60	24820076	4	Screw M10X30			
61	24820087	1	Screw M10X130			
62	24820060	1	Tube, Racord			
63	24820059	2	O-Ring D. 10X1,7			
64	24810048	1	GR. Crazy Switch			
65	24810533	1	O-Ring D. 14X1,7			



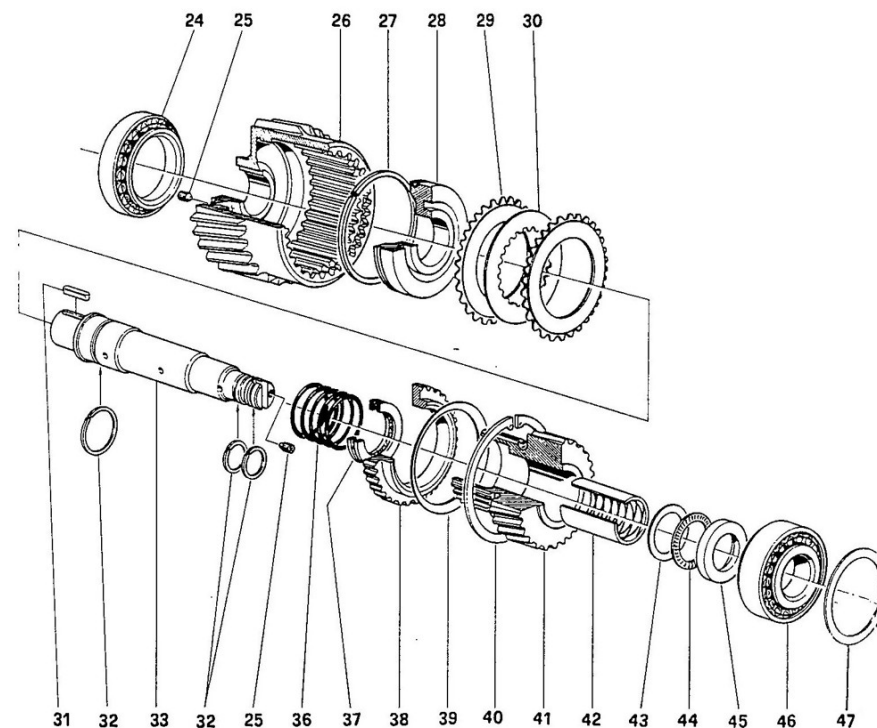
D_5026_2 Input Shaft 2/4

Fig.	Ref.	Qty.	Descr.	Obs	From	UpTo
1	24820134	1	Conical Roller Bearing 32011-JR			
2	24810326	2	Plug			
3	24820130	1	Bell			
4	24820125	1	Washer			
5	24820124	1	Piston			
6	24820115	9	Disk			
7	24820116	8	Disk			
8	24810211	1	KEY			
9	24820126	1	Washer			
10	24820101	1	Input Shaft			
11	24810328	2	Washer			
12	24810333	0	Spacer	#		
13	24820122	1	Spring			
14	24820123	1	Bearing			
15	24820113	1	Grommet			
16	24820129	1	Ring			
17	24820128	1	SNAP Ring			
18A	24822302	1	Gear R. 1,50 TM 170			
18B	24823302	1	Gear R. 2,04 TM 170			
18C	24824302	1	Gear R. 2.50 TM 170			
19	24820117	1	Bushing			
20	24820118	1	Ring			
21	24820121	1	Roller Bearing AXK-4060			
22	24820105	1	Washer			
23	24820104	1	Conical Roller Bearing 32307			



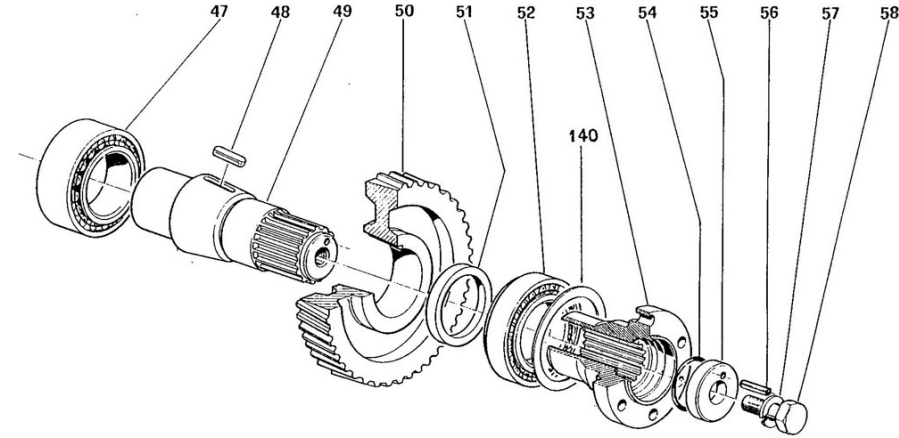
D_5026_3 Intermediate Shaft 3/4

Fig.	Ref.	Qty.	Descr.	Obs	From	UpTo
24	24820134	1	Conical Roller Bearing 32011-JR			
25	24810326	2	Plug			
26	24820330	1	Bell			
27	24820125	1	Washer			
28	24820124	1	Piston			
29	24820115	9	Disk			
30	24820116	8	Disk			
31	24810211	1	KEY			
32	24820126	2	Washer			
33	24820301	1	INTERMEDIATE Shaft			
36	24820122	1	Spring			
37	24820123	1	Bearing			
38	24820113	1	Grommet			
39	24820129	1	Ring			
40	24820128	1	SNAP Ring			
41A	24822302A	1	Gear R. 1,53 TM 170A			
41B	24823302A	1	Gear R. 2,08 TM 170A			
41C	24824302A	1	Gear R. 2,60 TM 170A			
42	24820117	1	Bushing			
43	24820118	1	Ring			
44	24820121	1	Roller Bearing AXK-4060			
45	24820105	1	Washer			
46	24820104	1	Conical Roller Bearing 32307			
47	24810333	0	Spacer	#		



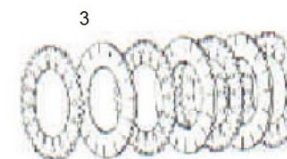
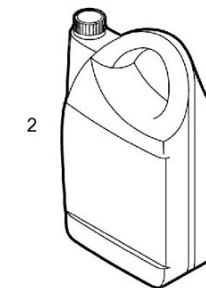
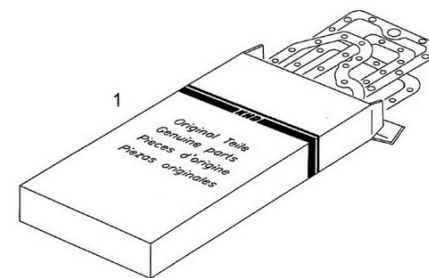
D_5026_4 Output Shaft 4/4

Fig.	Ref.	Qty.	Descr.	Obs	From	UpTo
47	24820206	1	Conical Roller Bearing 33210			
4851	24822201AC	1	Gear+Output Shaft Kit+Spacer			
4851	24823201AC	1	Gear+Output Shaft Kit+Spacer			
4851	24824201AC	1	Gear+Output Shaft Kit+Spacer			
52	24820212	1	Conical Roller Bearing 30210-J2/Q			
53	24820224	1	Flange, Output			
54	24820225	1	O-Ring D. 45X3,5			
55	24820219	1	BUTT Washer			
56	24820220	1	Pin			
57	24820221	1	Washer D.16			
58	24820222.1	1	Screw			
140	24820333.1	0	Shim	#		



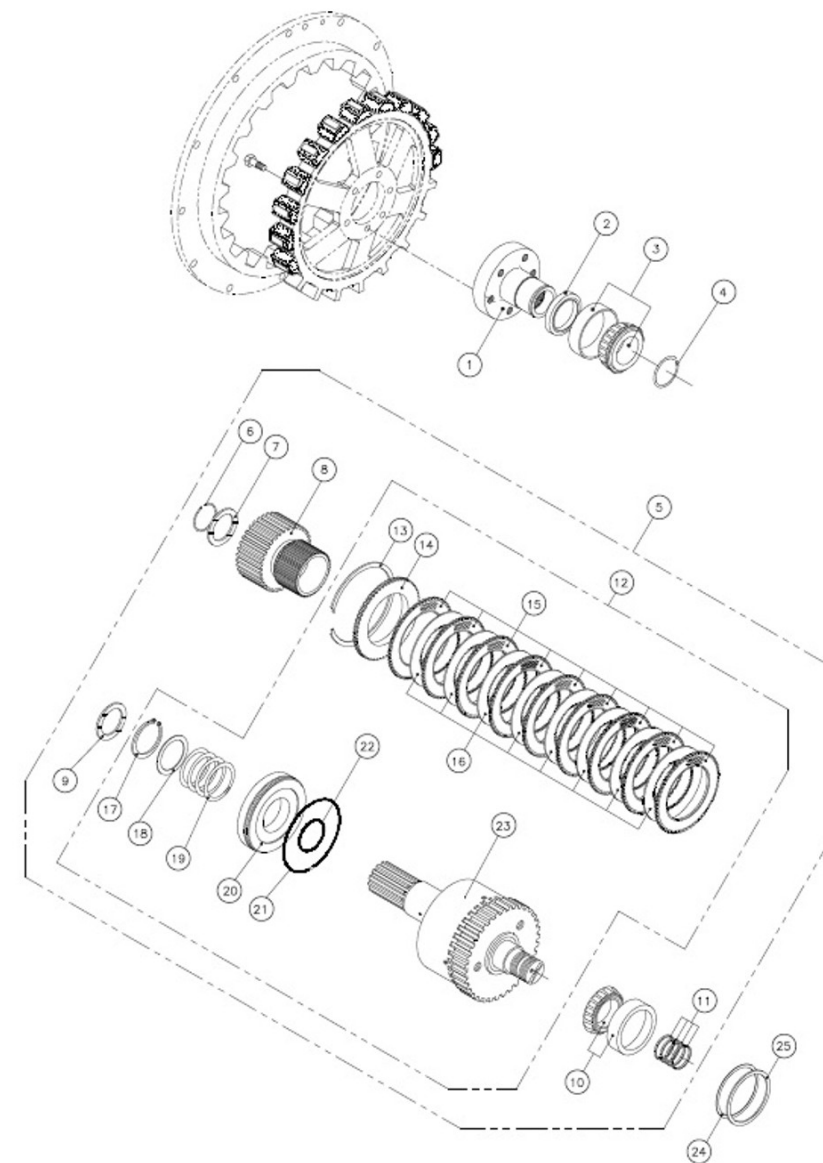
D_5027_5 Maintenance Kit

Fig.	Ref.	Qty.	Descr.	Obs	From	UpTo
1	24820401	1	Kit Gasket		15/06/2016	
2	A0105000	1	15W40 Sole Diesel Oil 5L		15/06/2016	
3	24820403	2	Clutch Plate Kit		15/06/2016	



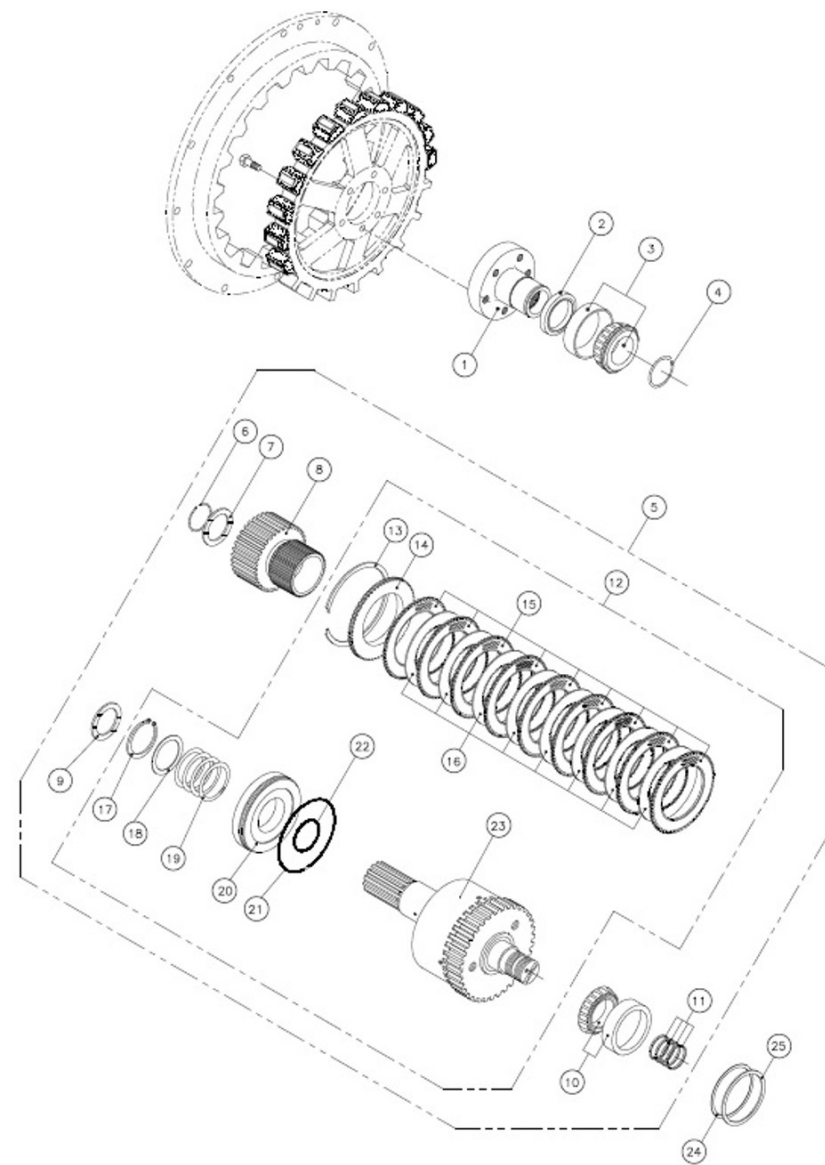
D_50D6_1 Sheet 1/9

Fig.	Ref.	Qty.	Descr.	Obs	From	UpTo
1	43300001	1	Input Coupling Assy			
2	43300002	1	Seal, Oil			
3	43300003	1	Bearing, Taper Roller			
4	43300004	1	Retainer			
5A	D090100TA	1	Input Shaft Group A(1.21)			
5B	D090100TB	1	Input Shaft Group B(1.54)			
5C	D090100TC	1	Input Shaft Group C(1.84)			
5D	43331005	1	Input Shaft Group D (2.12)			
5E	DV100100A	1	Input Shaft Group E(2.52)			
6	43301006	1	Retainer			
7	43301007	1	Washer, Thrust			
8A	D070108A	1	Pinion, Ass'Y G.R 1.61			
8B	D070108B	1	Pinion, Ass'Y G.R 2.06			
8C	D070108C	1	Pinion, Ass'Y G.R 2.45			
8D	43331008	1	Pinion, Assy G.R 2.12			
8E	DV100117A	1	Pinion, Ass'Y G.R 2.52			
9	43301009	1	Washer, Thrust			
10	43301010	1	Bearing, Taper Roller			
11	43301011	4	Ring, Oil Seal			
12	43301012	1	Input Shaft Assy			
13	43301013	1	Ring, Snap Internal			
14	43301014	1	Plate, Back			
15	43301015	10	Plate, Sintered			
16	43301016	9	Plate, Steel			
17	43301017	1	Ring, Snap External			
18	43301018	1	Washer			
19	43301019	1	Spring			
20	43301020	1	Piston, Clutch			
21	43301021	1	O-Ring			
22	43301022	1	O-Ring			
23	43301023	1	Input Shaft Assy			



D_50D6_1 Sheet 1/9

Fig.	Ref.	Qty.	Descr.	Obs	From	UpTo
24A	43301024	5	Shim			
24B	43301025	5	Shim			
24C	43301026	5	Shim			
25A	43300027	1	Spacer			
25B	43300028	1	Spacer			



D_50D6_2 Sheet 2/9

Fig.	Ref.	Qty.	Descr.	Obs	From	UpTo
40A	D090200TA	1	Astern Shaft Group A(1.21)			
40B	D090200TB	1	Astern Shaft Group B(1.54)			
40C	D090200TC	1	Astern Shaft Group C(1.84)			
40D	43332029	1	Astern Shaft Group D (2.12)			
40E	DV100200A	1	Astern Shaft Group E(2.52)			
41	43301010	2	Bearing, Taper Roller			
42	43301007	1	Washer, Thrust			
43A	D070108A	1	Pinion, Ass'Y G.R 1.61			
43B	D070108B	1	Pinion, Ass'Y G.R 2.06			
43C	D070108C	1	Pinion, Ass'Y G.R 2.45			
43D	43331008	1	Pinion, Assy G.R 2.12			
43E	DV100117A	1	Pinion, Ass'Y G.R 2.52			
44	43301009	1	Washer, Thrust			
45	43301011	4	Ring, Oil Seal			
46	43302030	1	Astern Shaft Assy			
47	43301013	1	Ring, Snap Internal			
48	43301014	1	Plate, Back			
49	43301015	10	Plate, Sintered			
50	43301016	9	Plate, Steel			
51	43301017	1	Ring, Snap External			
52	43301018	1	Washer			
53	43301019	1	Spring			
54	43301020	1	Piston, Clutch			
55	43301021	1	O-Ring			
56	43301022	1	O-Ring			
57	43302031	1	Astern Shaft Sub Assy			
58A	43301024	5	Shim			
58B	43301025	5	Shim			
58C	43301026	5	Shim			
59A	43300027	1	Spacer			
59B	43300028	1	Spacer			

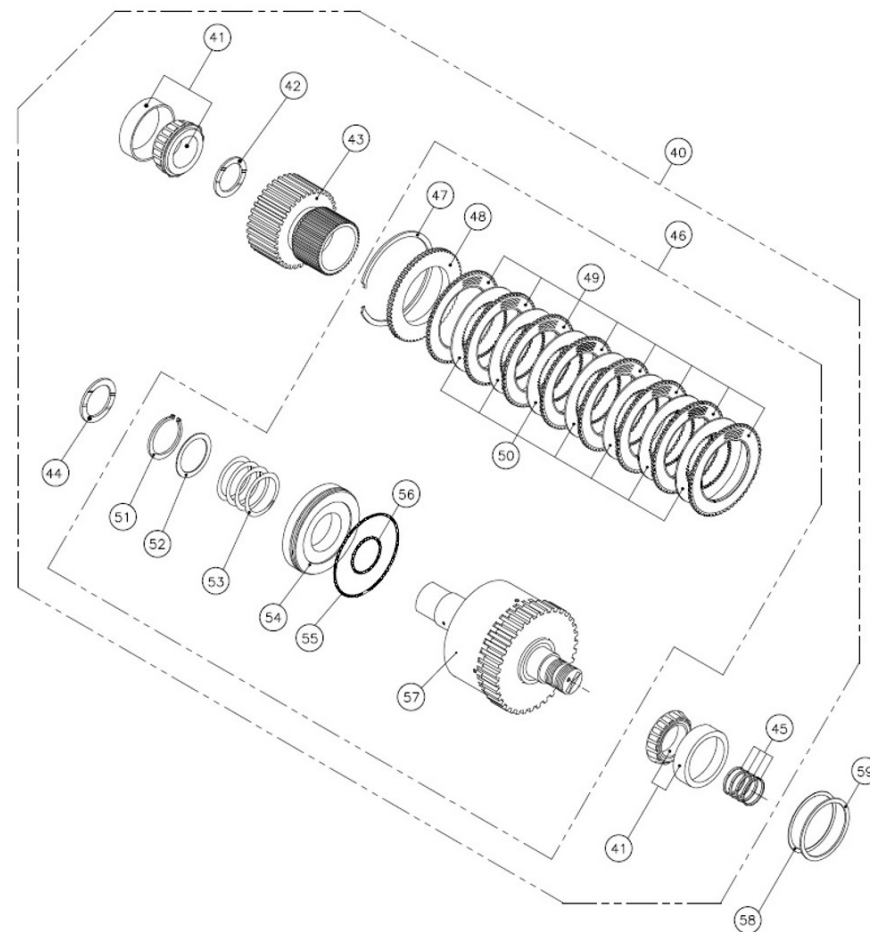


Fig.	Ref.	Qty.	Descr.	Obs	From	UpTo
70A	DV100315GA	1	Output Shaft Group A(1.21)			
70B	DV100315GB	1	Output Shaft Group B(1.54)			
70C	DV100315GC	1	Output Shaft Group C(1.84)			
70D	43332032	1	Output Shaft Group D(2.12)			
70E	DV100315GE	1	Output Shaft Group E(2.52)			
71A	DV100315A	1	Output Shaft Ass'Y A(1.21)			
71B	DV100315B	1	Output Shaft Ass'Y B(1.54)			
71C	DV100315C	1	Output Shaft Ass'Y C(1.84)			
71D	43332034	1	Output Shaft Assy D(2.12)			
71E	DV100315E	1	Output Shaft Ass'Y E(2.52)			
72	43302036	1	Bearing, Taper Roller			
73	43302037	1	Bearing, Taper Roller			
74A	43300038	5	Shim			
74B	43300039	5	Shim			
74C	43300040	5	Shim			
75	43300041	1	O-Ring			
76	43300042	1	Seal Carrier Assy			
77	43300043	1	Carrier, Seal			
78	43300002	1	Seal, Oil			
79	43300044	6	Screw			
80	43300045	1	Coupling, Output			
81	43300046	1	Washer, Retainer			
82	43300047	1	Plate, Lock			
83	43300048	3	Screw			
84	43300049	1	Coupling, Propeller			
85	43300050	4	Bolt, Reamer			
86	43300051	4	Washer, Spring			
87	43300052	4	Nut			
88	43300053	1	Oil Pan Assy			
89	43300054	2	Screw, Socket			

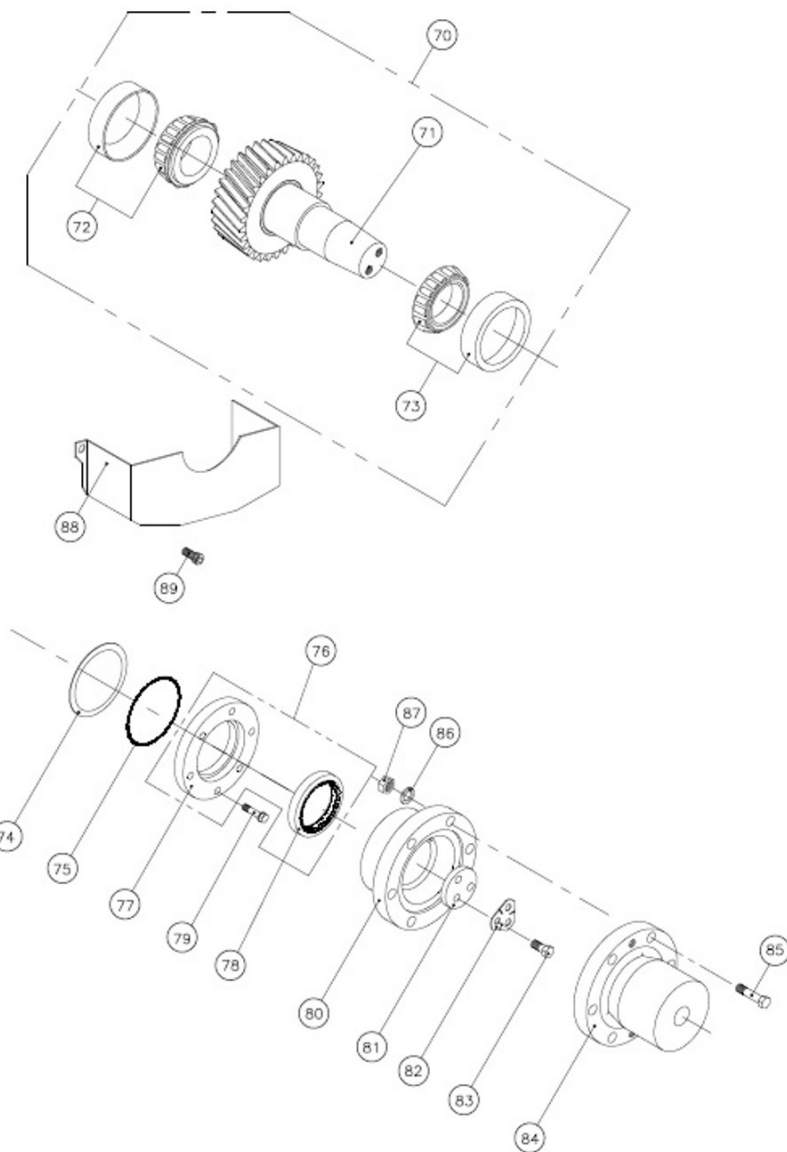
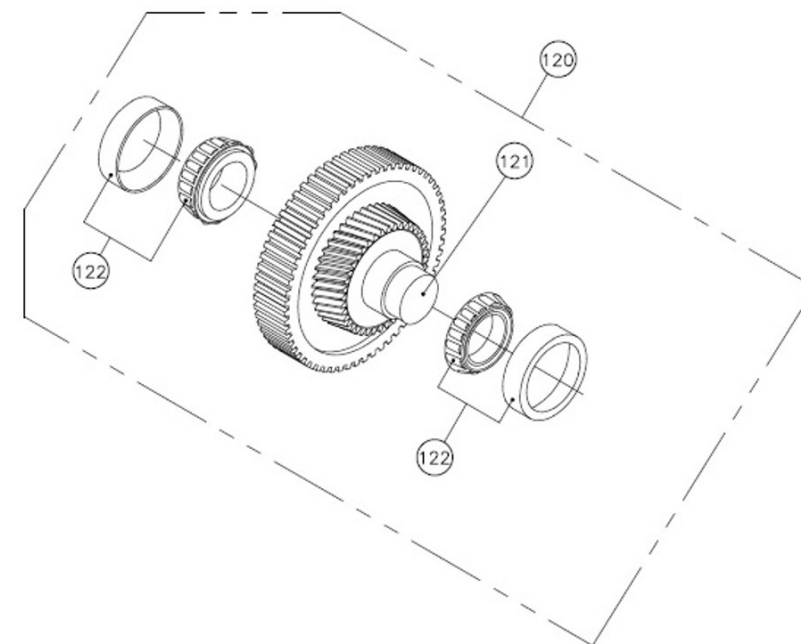
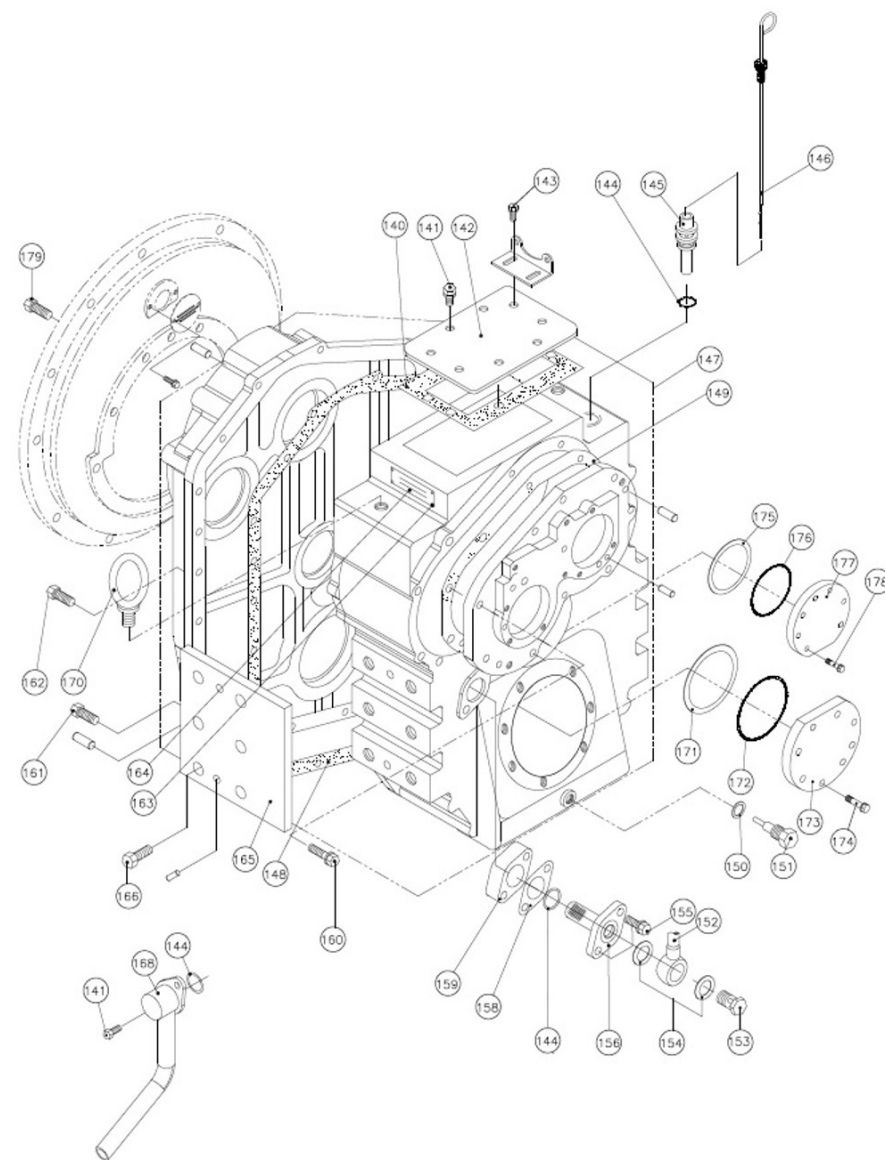


Fig.	Ref.	Qty.	Descr.	Obs	From	UpTo
120A	DV100014GA	1	Middle Shaft Group A(1.21)			
120B	DV100014GB	1	Middle Shaft Group B(1.54)			
120C	DV100014GC	1	Middle Shaft Group C(1.84)			
120D	43333055	1	Middle Shaft Group D(2.12)			
120E	DV100314GE	1	Middle Shaft Group E(2.52)			
121A	DV100014A	1	Middle Shaft Ass'Y A(1.21)			
121B	DV100014B	1	Middle Shaft Ass'Y B(1.54)			
121C	DV100014C	1	Middle Shaft Ass'Y C(1.84)			
121D	43333056	1	Middle Shaft Assy D(2.12)			
121E	DV100314E	1	Middle Shaft Ass'Y E(2.52)			
122	43303057	2	Bearing, Taper Roller			



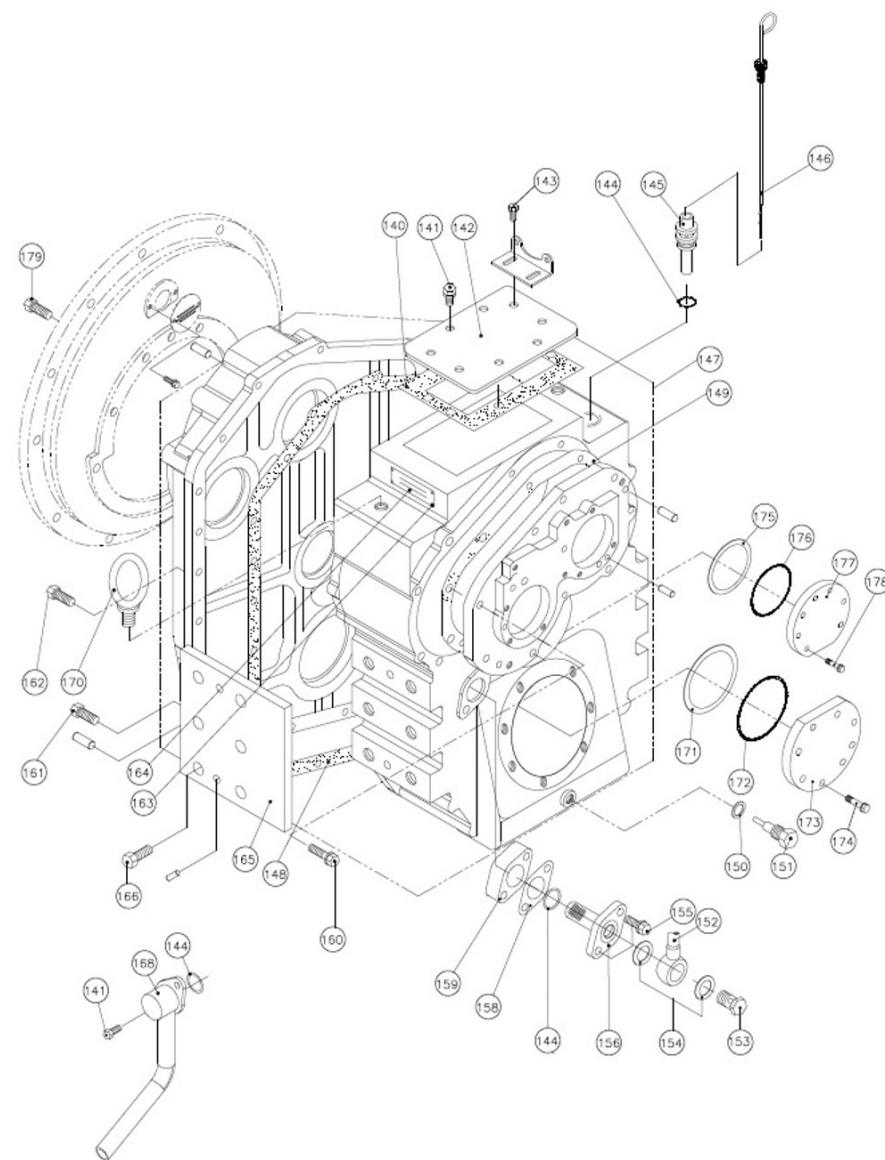
D_50D6_5 Sheet 5/9

Fig.	Ref.	Qty.	Descr.	Obs	From	UpTo
140	43300058	1	Gasket, Cover			
141	243D5033	4	Screw			
142	43300059	1	Cover			
143	243D5035	4	Screw			
144	24300006	1	O-Ring			
145	43300060	1	Air Breather			
146	43300061	1	Gauge, Oil Level			
147	43300062	-1	Case Assy			
148	43300063	1	Gasket, Case			
149	43300064	1	Gasket, Bearing Carrier			
150	43300065	2	Gasket, Copper			
151	43300066	1	Drain Plug Assy			
152	43300067	1	Pipe, Suction			
153	43300068	1	Bolt, Union			
154	43300069	2	Gasket, Copper			
155	43300070	2	Screw			
156	43300071	1	Screen Filter Assy			
158	43300072	1	Gasket, Filter			
159	43300073	1	Body, Cover Filter			
160	243D5426	15	Screw			
161	243D5047	4	Screw			
162	243D5048	6	Screw			
163	43300074	4	Screw			
164	43300075	1	Plate,Name			
165	43300076	2	Bracket			
166	43300077	12	Screw			
168	43300078	1	Pipe Suction Assy			
170	43300079	2	Bolt, Eye			
171A	43300080	5	Shim			
171B	43300081	5	Shim			
171C	43300082	5	Shim			



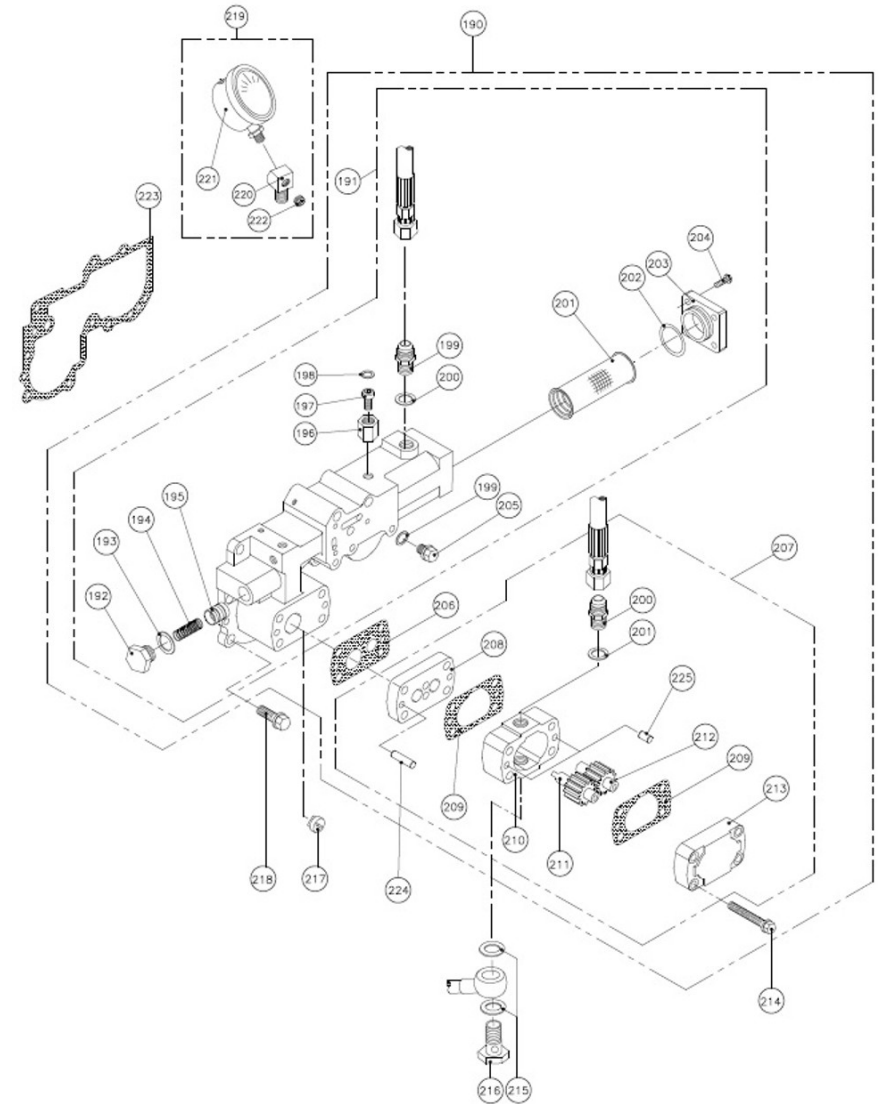
D_50D6_5 Sheet 5/9

Fig.	Ref.	Qty.	Descr.	Obs	From	UpTo
172	43300083	1	O-Ring			
173	43300084	1	Rear Cover, Shaft Output			
174	43300044	8	Screw			
175A	43300085	5	Shim			
175B	43300086	5	Shim			
175C	43300087	5	Shim			
176	43300088	1	O-Ring			
177	43300089	1	Cover, Counter Shaft			
178	43300090	7	Screw			
179	43300091	10	Screw			



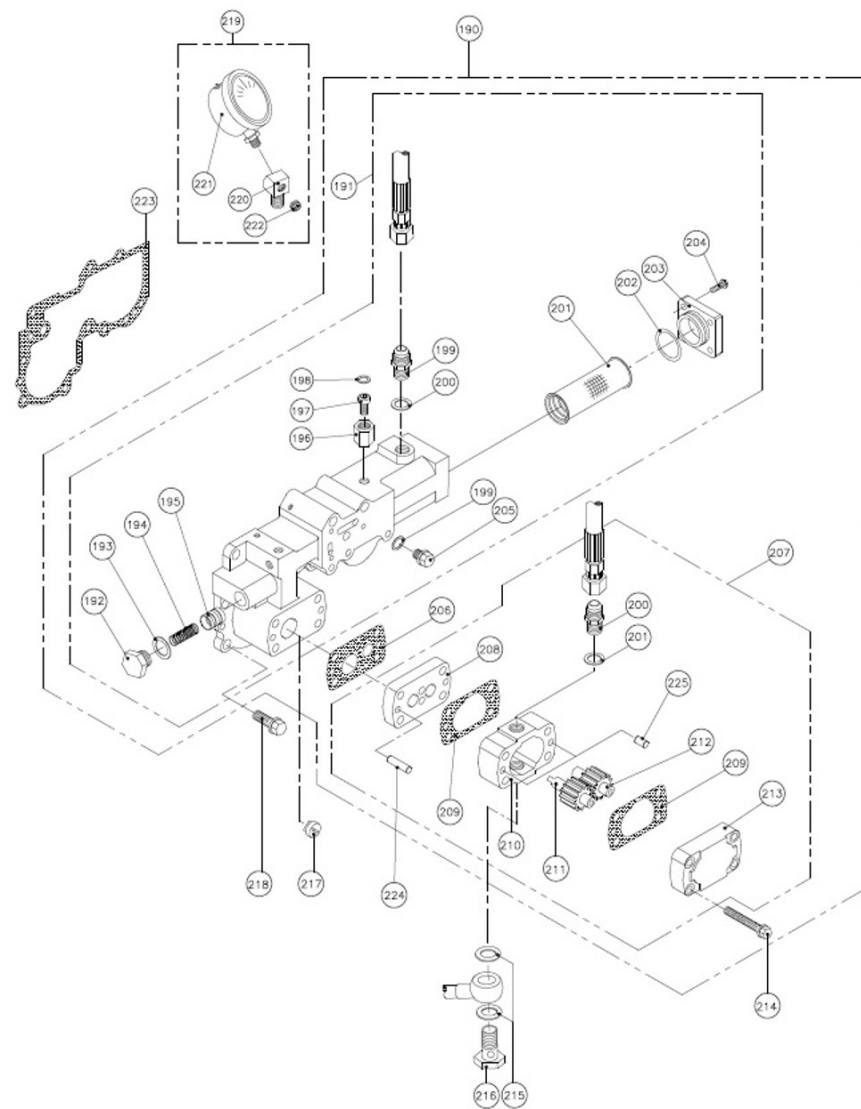
D_50D6_6 Sheet 6/9

Fig.	Ref.	Qty.	Descr.	Obs	From	UpTo
190	43306092	1	Manifold Group			
191	43306093	1	Manifold Assy			
192	43306094	1	Plug, Oil Pressure			
193	43306095	1	Gasket, Copper			
194	43306096	1	Spring, Oil Pressure			
195	43306097	1	Valve, Oil Pressure			
196	43306098	1	Nut, Lock			
197	43306099	1	Screw, Lock			
198	43306000	2	Gasket, Copper			
199	43306001	2	Nipple			
200	43300065	2	Gasket, Copper			
201	43306002	1	Oil Filter Assy			
202	24300010	1	O-Ring			
203	43306003	1	Cover, Filter			
204	243D5413	4	Screw			
205	43306004	1	Plug			
206	43306005	1	Gasket, Pump Plate			
207	43306006	1	Pump Assy			
208	43306007	1	Pump Plate Assy			
209	43306008	2	Gasket, Pump			
210	43306009	1	Body, Gear Pump			
211	43306010	1	Gear, Pump Driving			
212	43306011	1	Gear, Pump Driven			
213	43306012	1	Pump Cover Assy			
214	43306013	4	Screw			
215	43300069	2	Gasket, Copper			
216	43300068	1	Bolt, Union			
217	43306014	1	Block, Pump Driving			
218	243D5426	7	Screw			
219	243D5429	1	Pressure Gauge Assy			
220	43306015	1	Adaptor			



D_50D6_6 Sheet 6/9

Fig.	Ref.	Qty.	Descr.	Obs	From	UpTo
221	243D5431	1	Pressure Gauge			
222	243D5432	1	Plug			
223	43306016	1	Gasket, Manifold			
224	43306017	2	Pin, Dowel			
225	43306018	2	Pin, Dowel			



D_50D6_7 Sheet 7/9

Fig.	Ref.	Qty.	Descr.	Obs	From	UpTo
290A	43306019	1	Oil Cooler Assy			
290B	43306020	1	Oil Cooler Assy			
291A	43306021	2	Cooler Cover Assy			
291B	43306022	2	Cooler Cover Assy			
292	24300011	2	Zinc Anode Assy			
293A	243D5047	8	Screw			
293B	43306023	8	Screw			
294A	43306024	2	Cover, Cooler			
294B	43306025	2	Cover, Cooler			
295A	243D5009	2	O-Ring			
295B	43306026	2	O-Ring			
296A	43306027	1	Element Cooler			
296B	43306028	1	Element Cooler			
297A	43306029	2	Bracket, Cooler			
297B	43306030	2	Bracket, Cooler			
298	43306095	4	Gasket, Copper			
299	43306031	2	Bolt, Union			
300	43306032	1	Hose Assy			
301	43306033	1	Hose Assy			

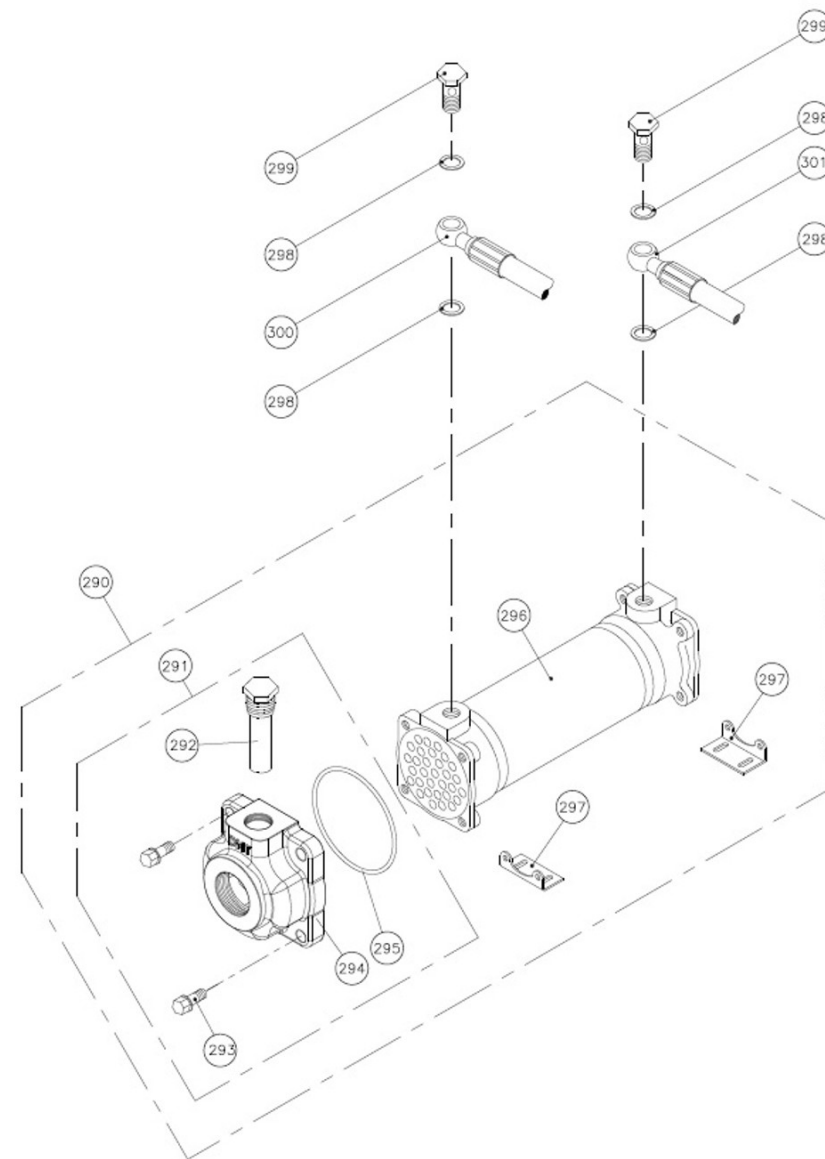
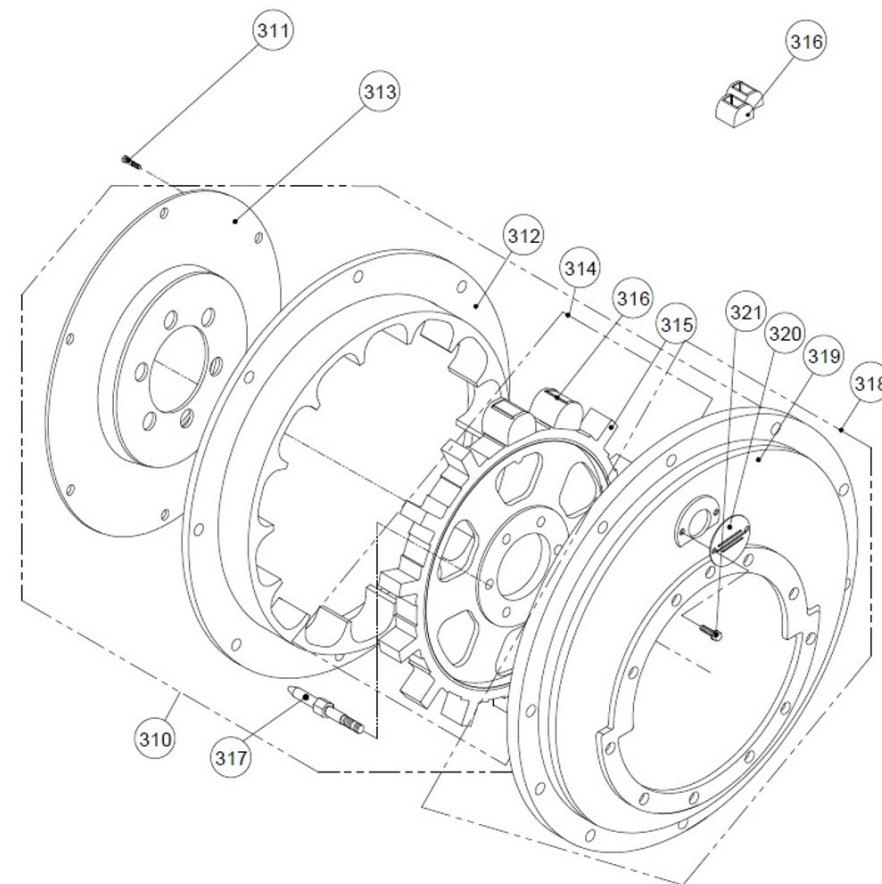


Fig.	Ref.	Qty.	Descr.	Obs	From	UpTo
310	43306034	1	Ring, Driving Assy			
311	43306035	6	Bolt, Reamer			
312	43306036	1	Driving Ring			
313	43306037	1	Center Ring Assy			
314	43306038	1	Spider, Drive Assy			
315	43306039	1	Spider, Drive			
316	43306040	12	Block, Rubber			
317	43306041	6	Bolt, Reamer			
318	43306042	1	Housing, Flywheel Assy			
319	43306043	1	Housing, Flywheel			
320	43306044	1	Cover, Check			
321	43306045	2	Screw			



D_50D6_9 Sheet 9/9

Fig.	Ref.	Qty.	Descr.	Obs	From	UpTo
330	243D5433	1	Trolling Valve Group			
331	243D5434	1	Lever Group			
332	43305046	1	Pin, Cable			
333	243D5436	1	Pin, Split			
334	43305047	1	Lever Assy			
335	243D5438	1	Washer			
336	243D5439	1	Pin, Spring			
337	43305048	1	Cover, Valve			
338	243D5441	1	O-Ring			
339	43305049	1	Bearing, Thrust			
340	43305050	1	Stem, Valve			
341	243D5444	2	Screw, Socket			
342	243D5445	2	Screw, Socket			
343	243D5446	1	Ball, Steel			
344	43305051	1	Spring, Detent			
345	43305052	1	Gasket, Valve Cover			
346	43305053	1	Valve, Regulator Pressure			
347	43305069	1	Spring, Outer			
348	43305054	1	Spring, Trolling			
349	43305055	1	Spring, Check Valve			
350	243D5452	1	Ball, Steel			
351	43305056	1	Spacer			
352	43305057	1	Piston			
353	43305058	2	Gasket, Plate			
354	43305059	1	Plate, Orifice			
355	43305060	1	Plate			
356	43305061	1	Gasket, Trolling Valve			
357	43305062	1	Trolling Valve Assy			
359	43305063	1	Spring, Detent			
360	243D5461	2	Screw			
361	243D5462	1	Trolling Bracket Assy			

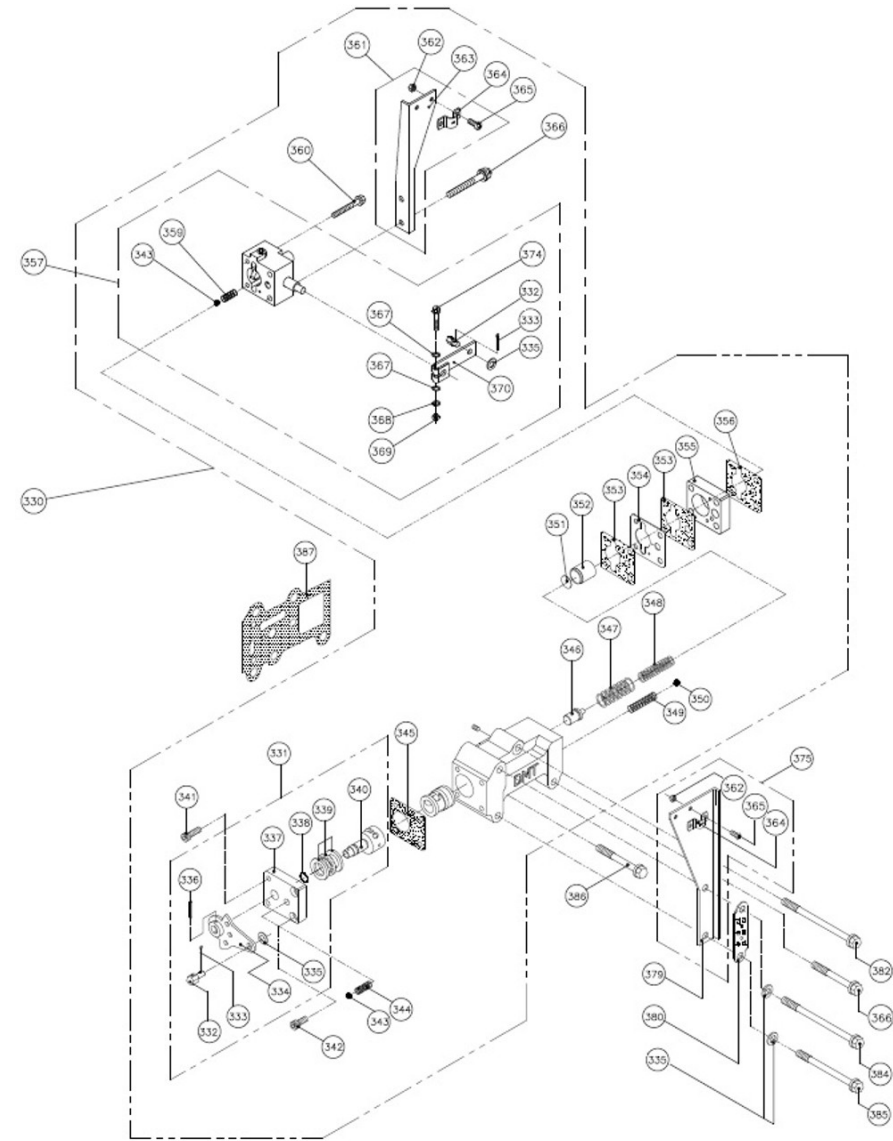
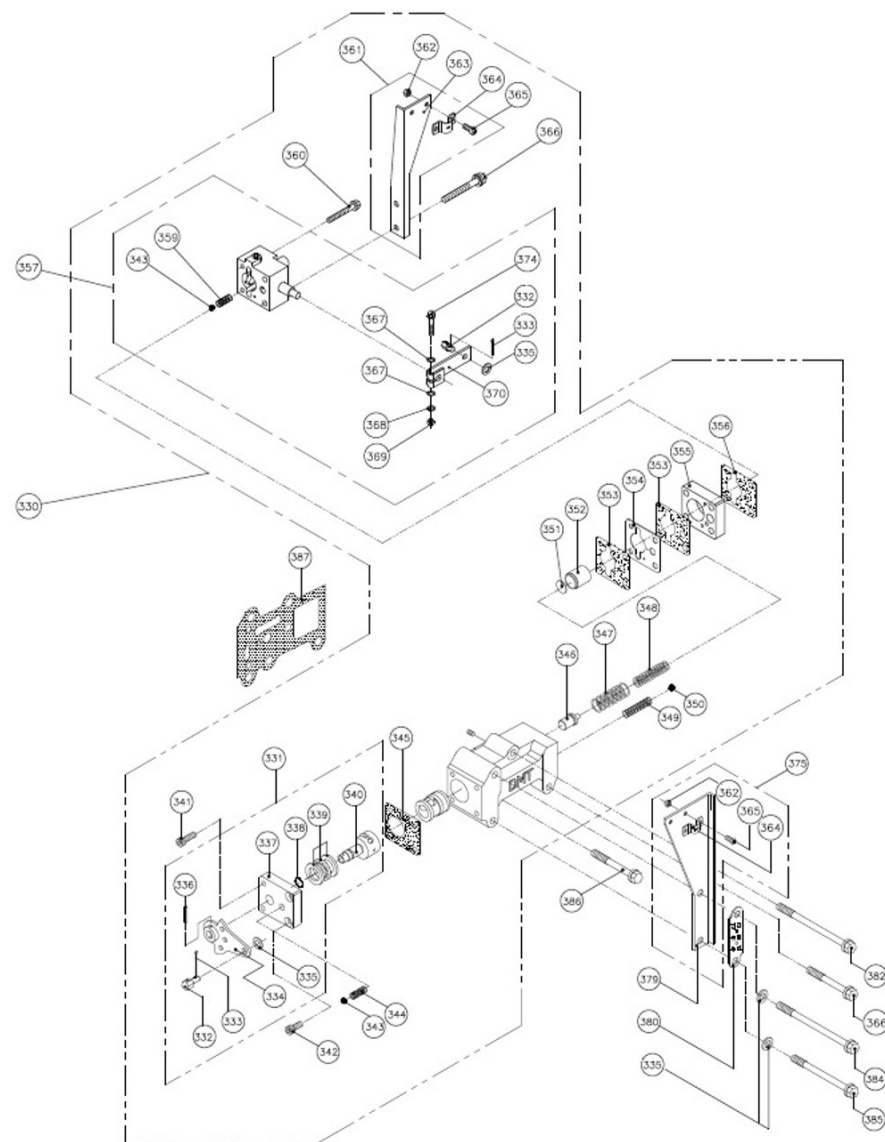
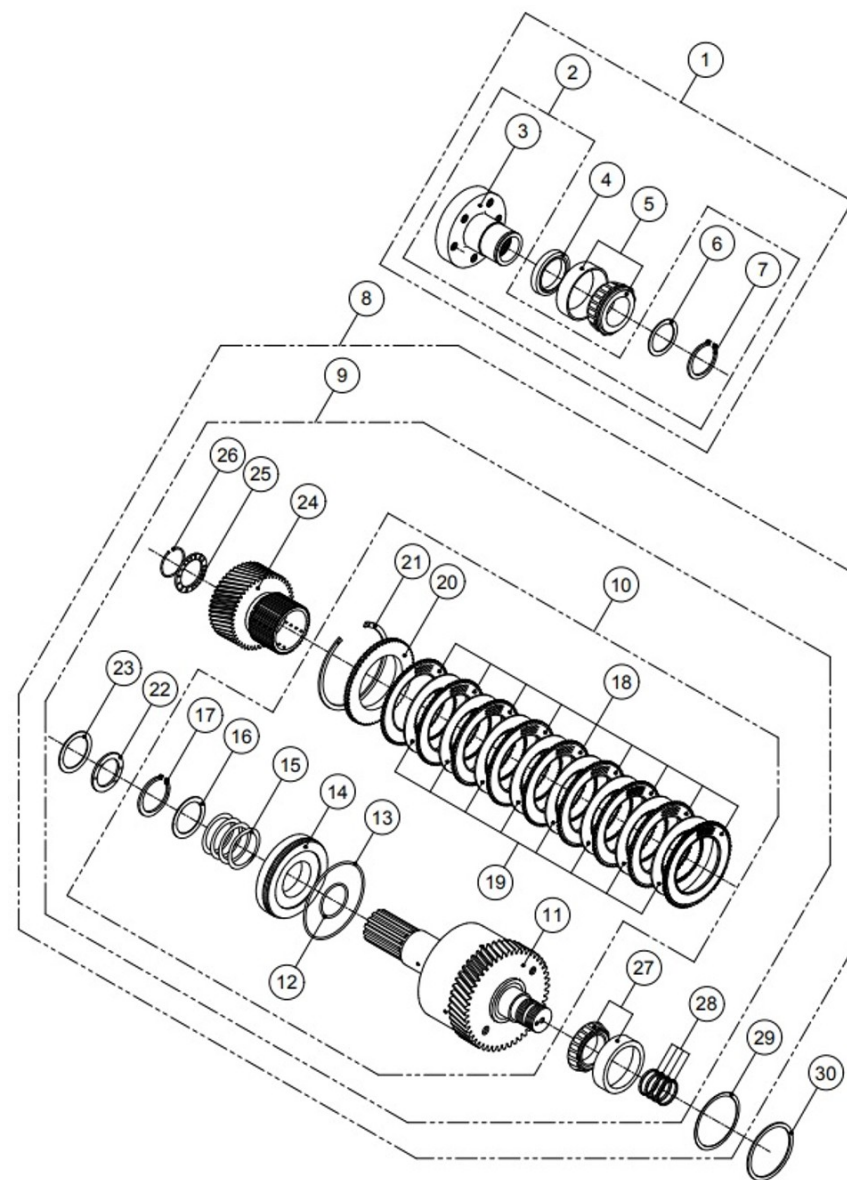


Fig.	Ref.	Qty.	Descr.	Obs	From	UpTo
362	243D5463	2	Nut			
363	43305064	1	Bracket, Trolling			
364	43305065	1	Clamp			
365	243D5466	2	Screw			
366	243D5467	2	Screw			
367	243D5468	2	Washer			
368	243D5469	1	Washer, Spring			
369	243D5470	1	Nut			
370	43305066	1	Lever, Trolling			
374	243D5472	1	Screw			
375	243D5473	1	Bracket, Cable Assy			
379	43305067	1	Bracket, Cable			
380	43305068	1	Plate, Name			
382	243D5476	1	Screw			
384	243D5477	1	Screw			
385	243D5478	1	Screw			
386	243D5049	1	Screw			
387	43305070	1	Gasket, Selector Valve			



D_0313_1 Sheet 1/9

Fig.	Ref.	Qty.	Descr.	Obs	From	UpTo
1	DST100008	1	Input Coupling Ass'Y			
2	DAS100008	1	Input Coupling Ass'Y			
3	D100007	1	Input Coupling Ass'Y			
4	DD06509010	1	Seal, Oil			
5	D32211J	1	Bearing, Taper Roller			
6	D100010	1	Spacer			
7	D100019	1	Ring, Snap External			
8A	DAS100100A	1	Input Shaft Group G.R 5.29			
8B	DAS100100B	1	Input Shaft Group G.R 5.95			
8C	DAS100100C	1	Input Shaft Group G.R 4.07			
8D	DAS100100D	1	Input Shaft Group G.R 4.50			
8E	DAS100100E	1	Input Shaft Group G.R 4.95			
9A	D100100A	1	Input Shaft Group G.R 5.29			
9B	D100100B	1	Input Shaft Group G.R 5.95			
9C	D100100C	1	Input Shaft Group G.R 4.07			
9D	D100100D	1	Input Shaft Group G.R 4.50			
9E	D100100E	1	Input Shaft Group G.R 4.95			
10	D100100	1	Input Shaft Ass'Y			
11	DAS100101	1	Input Shaft Sub Ass'Y			
12	D70104	1	O-Ring			
13	D70106	1	O-Ring			
14	D70105	1	Piston, Clutch			
15	43301019	1	Spring			
16	43301018	1	Washer			
17	43301017	1	Ring, Snap External			
18	D100109	9	Plate, Sintered			
19	D100110	8	Plate, Steel			
20	43301014	1	Plate, Back			
21	D11527	1	Ring, Snap Internal			
22	D70117	1	Washer, Thrust			
23	D100116	1	Washer, Thrust			



D_0313_1 Sheet 1/9

Fig.	Ref.	Qty.	Descr.	Obs	From	UpTo
24A	D100108A	1	Pinion, Ass'Y G.R 5.29			
24B	D100108B	1	Pinion, Ass'Y G.R 5.95			
24C	D100108C	1	Pinion, Ass'Y G.R 4.07			
24D	D100108D	1	Pinion, Ass'Y G.R 4.50			
24E	D100108E	1	Pinion, Ass'Y G.R 4.95			
25	D100120	1	Washer, Thrust			
26	43301006	1	Retainer			
27	43301010	1	Bearing, Taper Roller			
28	D050120	4	Ring, Oil Seal			
29A	43301024	0	Shim	#		
29B	43301025	5	Shim			
29C	43301026	0	Shim	#		
30A	43300027	1	Spacer			
30B	43300028	1	Spacer			

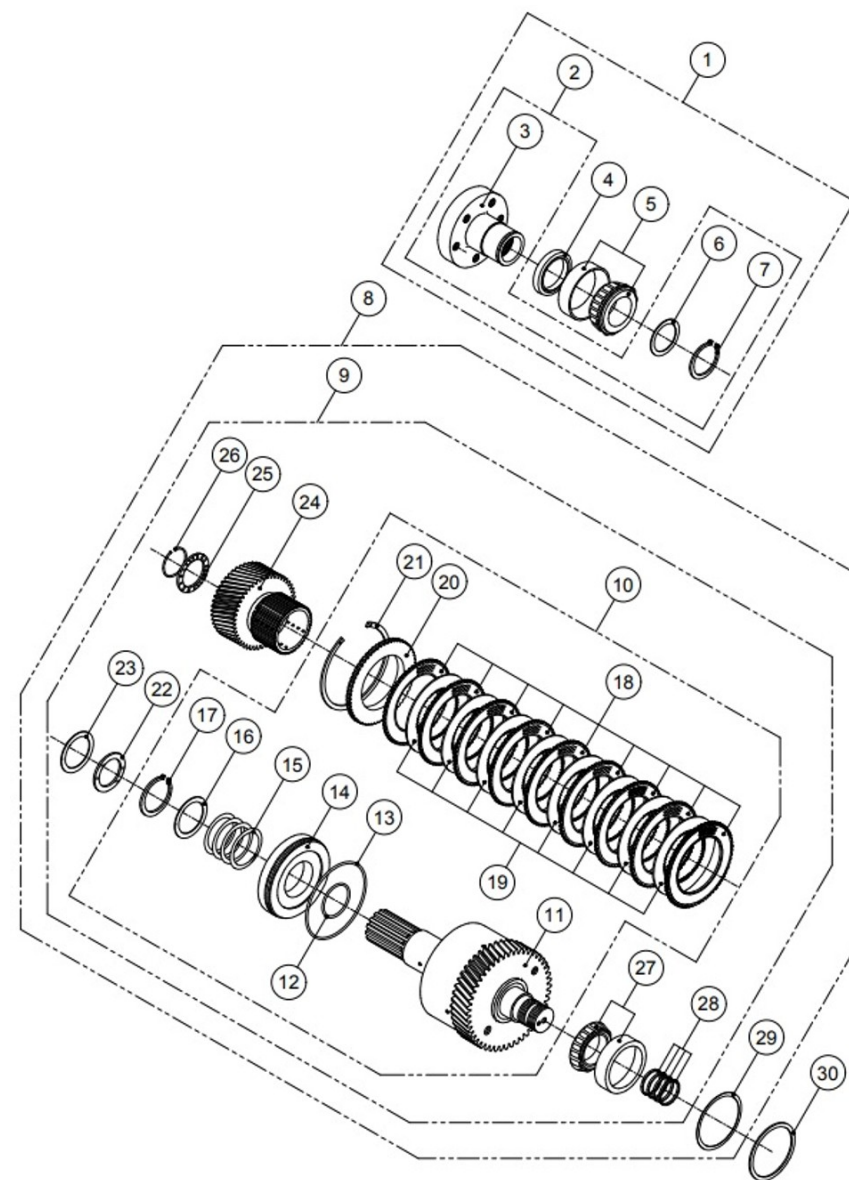
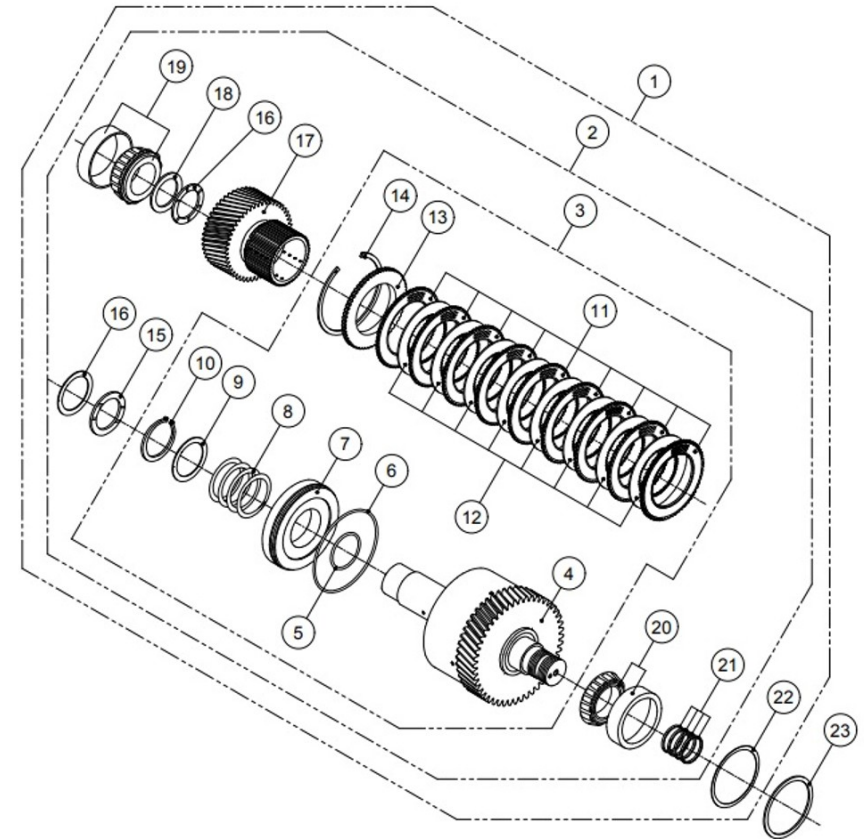


Fig.	Ref.	Qty.	Descr.	Obs	From	UpTo
1A	DAS100200A	1	Astern Shaft Group G.R 5.29			
1B	DAS100200B	1	Astern Shaft Group G.R 5.95			
1C	DAS100200C	1	Astern Shaft Group G.R 4.07			
1D	DAS100200D	1	Astern Shaft Group G.R 4.50			
1E	DAS100200E	1	Astern Shaft Group G.R 4.95			
2A	D100200A	1	Astern Shaft Group G.R 5.29			
2B	D100200B	1	Astern Shaft Group G.R 5.95			
2C	D100200C	1	Astern Shaft Group G.R 4.07			
2D	D100200D	1	Astern Shaft Group G.R 4.50			
2E	D100200E	1	Astern Shaft Group G.R 4.95			
3	D100200	1	Astern Shaft Ass'Y			
4	DAS100201	1	Astern Shaft Sub Ass'Y			
5	D70104	1	O-Ring			
6	D70106	1	O-Ring			
7	D70105	1	Piston, Clutch			
8	43301019	1	Spring			
9	43301018	1	Washer			
10	43301017	1	Ring, Snap External			
11	D100109	9	Plate, Sintered			
12	D100110	8	Plate, Steel			
13	43301014	1	Plate, Back			
14	D11527	1	Ring, Snap Internal			
15	D70117	1	Washer, Thrust			
16	D100116	2	Washer, Thrust			
17A	D100108A	1	Pinion, Ass'Y G.R 5.29			
17B	D100108B	1	Pinion, Ass'Y G.R 5.95			
17C	D100108C	1	Pinion, Ass'Y G.R 4.07			
17D	D100108D	1	Pinion, Ass'Y G.R 4.50			
17E	D100108E	1	Pinion, Ass'Y G.R 4.95			
18	D100205	1	Collar, Bearing			
19	D32208J	1	Bearing, Taper Roller			



D_0313_2 Sheet 2/9

Fig.	Ref.	Qty.	Descr.	Obs	From	UpTo
20	43301010	1	Bearing, Taper Roller			
21	D050120	4	Ring, Oil Seal			
22A	43301024	0	Shim	#		
22B	43301025	5	Shim			
22C	43301026	0	Shim	#		
23B	43300028	1	Spacer			

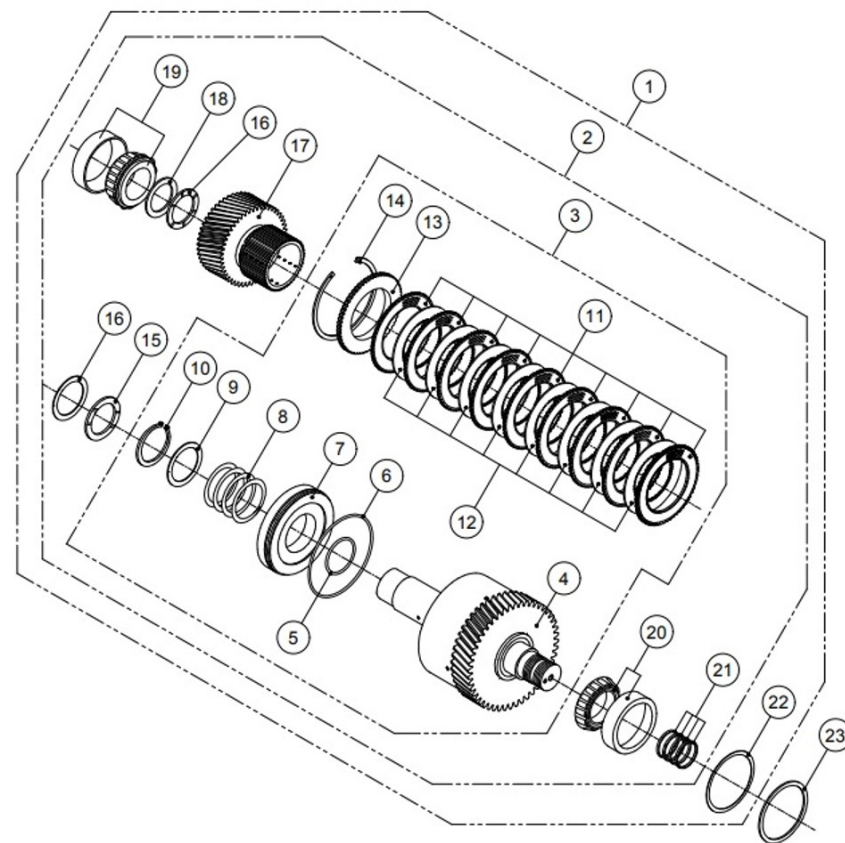


Fig.	Ref.	Qty.	Descr.	Obs	From	UpTo
1A	DST100301A	1	Output Shaft Ass'Y G.R 5.29			
1B	DST100301B	1	Output Shaft Ass'Y G.R 5.95			
1C	DST100301C	1	Output Shaft Ass'Y G.R 4.07			
1D	DST100301D	1	Output Shaft Ass'Y G.R 4.50			
1E	DST100301E	1	Output Shaft Ass'Y G.R 4.95			
2A	D100300AG	1	Output Shaft Group G.R 5.29			
2B	D100300BG	1	Output Shaft Group G.R 5.95			
2C	D100300CG	1	Output Shaft Group G.R 4.07			
2D	D100300DG	1	Output Shaft Group G.R 4.50			
2E	D100300EG	1	Output Shaft Group G.R 4.95			
3A	D100300A	1	Output Shaft Ass'Y G.R 5.29			
3B	D100300B	1	Output Shaft Ass'Y G.R 5.95			
3C	D100300C	1	Output Shaft Ass'Y G.R 4.07			
3D	D100300D	1	Output Shaft Ass'Y G.R 4.50			
3E	D100300E	1	Output Shaft Ass'Y G.R 4.95			
5	D100314	1	Oil Pan Ass'Y			
6	243B0250	2	Screw, Socket			
7A	D100304A	0	Shim	#		
7B	D100304B	5	Shim			
7C	D100304C	0	Shim	#		
8	DG12531	1	O-Ring			
9	D100303A	1	Carrier, Seal Ass'Y			
10	DD07510013	1	Seal, Oil			
11	DB12175035	6	Screw			
12	DAS100306	1	Output Coupling Ass'Y			
13	D100307	1	Washer, Retainer			
14	D100315	1	Plate, Lock			
15	DA14150035	3	Screw			
16	D100310	1	Coupling, Propeller			
17	D70318	6	Bolt, Reamer			
18	43300051	6	Washer, Spring			

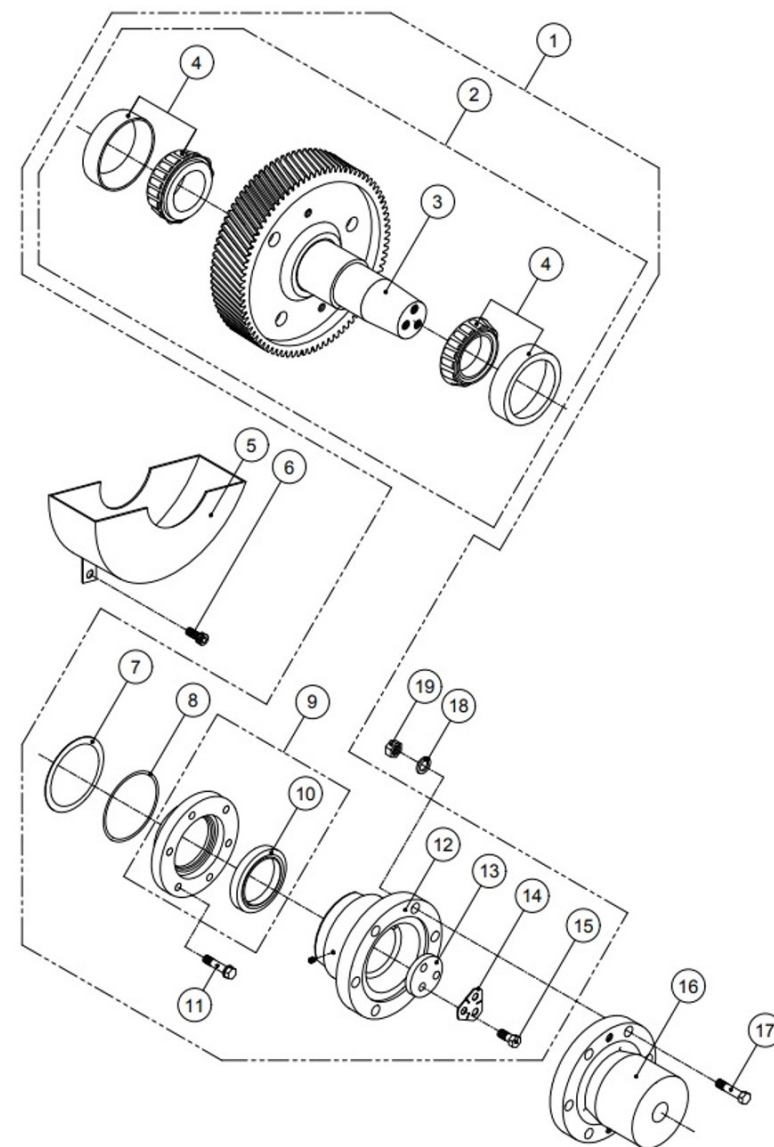
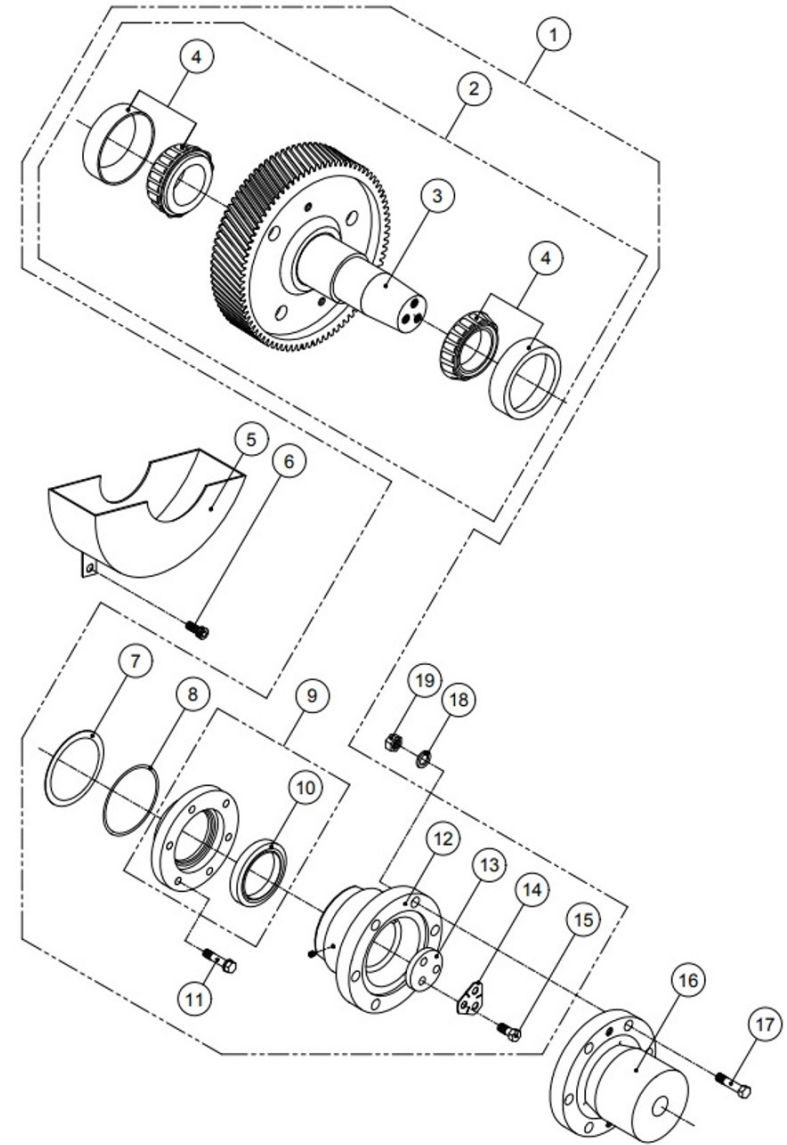
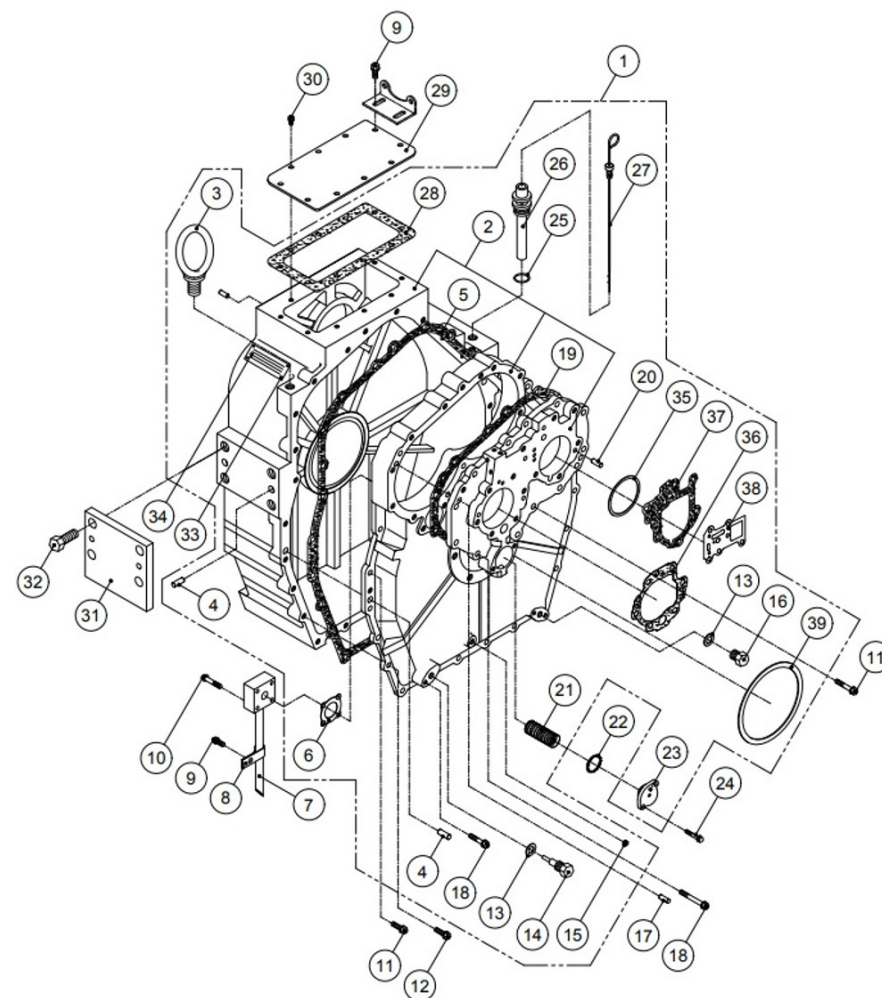


Fig.	Ref.	Qty.	Descr.	Obs	From	UpTo
19	43300052	6	Nut			



D_0313_4 Sheet 4/9

Fig.	Ref.	Qty.	Descr.	Obs	From	UpTo
1	DST100001	1	Case Ass'Y			
2	D100000AG	1	Case Ass'Y			
3	43300079	2	Bolt, Eye			
4	243B0058	8	Pin, Dowel			
5	D100003	1	Gasket, Case			
6	D150025	1	Gasket, Suction Pipe			
7	D100026	1	Pipe Suction Ass'Y			
8	D170027	1	Clamp			
9	243D5035	5	Screw			
10	243B0040	4	Screw			
11	43300044	15	Screw			
12	43306023	8	Screw			
13	D11028	2	Gasket, Copper			
14	D25018	1	Drain Plug Ass'Y			
15	DPT0080310	1	Plug			
16	24350018	1	Plug			
17	243B0057	2	Pin, Dowel			
18	DB10150070	9	Screw			
19	D100005	1	Gasket, Bearing Carrier			
20	243D5055	4	Pin, Dowel			
21	D100022	1	Screen Filter Ass'Y			
22	243B0002	1	O-Ring			
23	D170023	1	Cover, Screen Filter			
24	43300070	2	Screw			
26	D170017	1	Air Breather Ass'Y			
27	D100018	1	Oil Gauge Ass'Y			
28	D100016	1	Gasket, Cover			
29	D100015	1	Cover			
30	243B0039	6	Screw			
31	D100953	2	Plate, Attachment			
32	243B0239	8	Screw			



D_0313_4 Sheet 4/9

Fig.	Ref.	Qty.	Descr.	Obs	From	UpTo
33	243B0045	4	Screw			
34	43300075	1	Plate,Name			
35	43301025	10	Shim			
36	D100033	1	Gasket, Pump Hold			
37	D100034	1	Gasket, Valve Holder			
38	D150527	1	Gasket, Selector Valve			
39	D100304B	5	Shim			

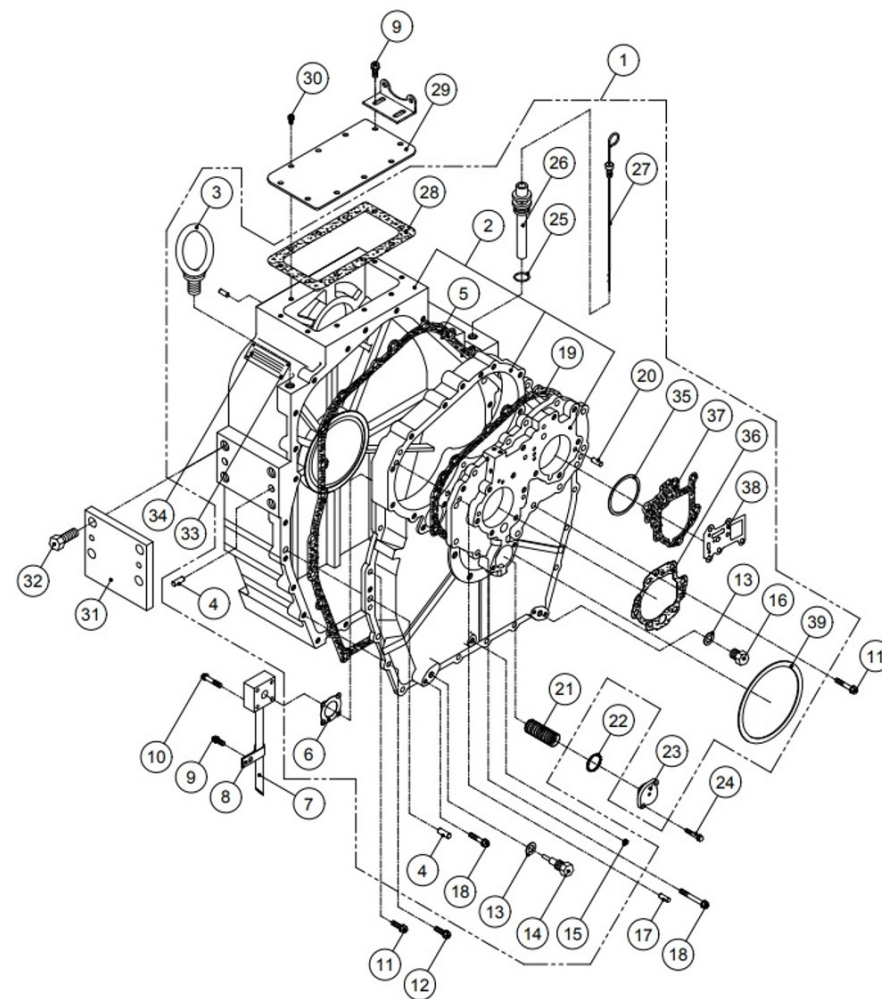
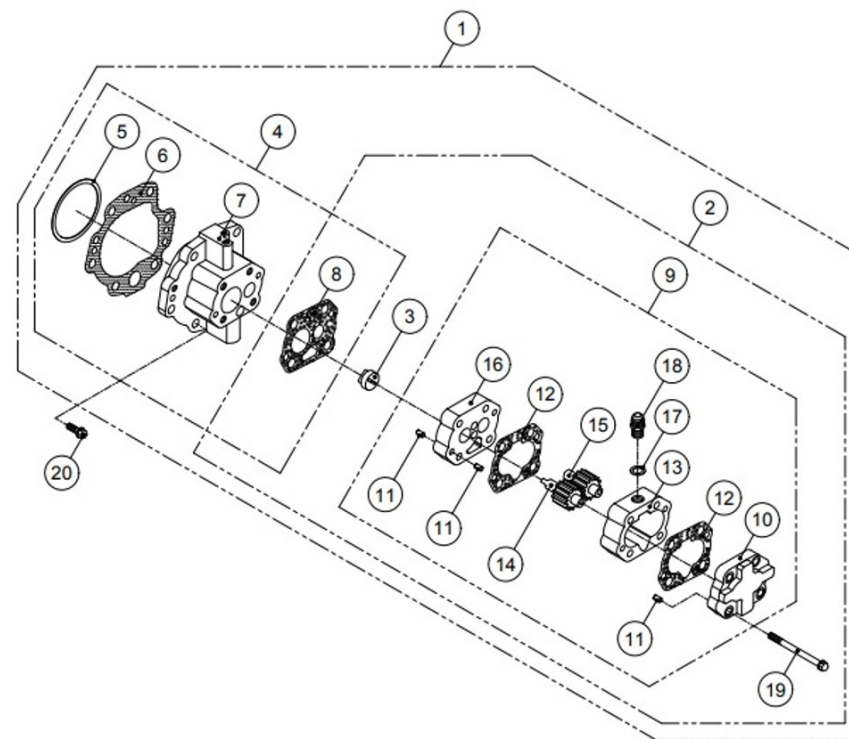


Fig.	Ref.	Qty.	Descr.	Obs	From	UpTo
1	DST100402	1	Pump Holder Group			
2	DAS100406	1	Pump Ass'Y			
3	43306014	1	Block, Pump Driving			
4	DAS100402	1	Pump Holder Ass'Y			
5	43301025	5	Shim			
6	D100033	1	Gasket, Pump Hold			
7	D100401	1	Pump Holder Ass'Y			
8	D100412	1	Gasket, Pump Plate			
9	D100420	1	Pump Ass'Y			
10	D100409	1	Pump Cover Ass'Y			
11	243D5055	6	Pin, Dowel			
12	D100405	2	Gasket, Pump			
13	D100406	1	Body, Gear Pump			
14	D136407	1	Gear, Pump Driving			
15	D136408	1	Gear, Pump Driven			
16	D100421	1	Pump Plate Ass'Y			
17	D11028	1	Gasket, Copper			
18	43306001	1	Nipple			
19	DB10150080	4	Screw			



D_0313_6 Sheet 6/9

Fig.	Ref.	Qty.	Descr.	Obs	From	UpTo
1	DAS100562	1	Valve Holder Ass'Y			
2	43301025	5	Shim			
3	D100034	1	Gasket, Valve Holder			
4	D100561G	1	Valve Holder Ass'Y			
5	D70031	1	Gasket, Copper			
6	D70030	1	Plug			
7	D11028	1	Gasket, Copper			
8	43306001	1	Nipple			
9	243D5407	1	Nut, Lock			
10	243D5408	1	Screw, Lock			
11	D25025	1	Valve, Oil Pressure			
12	D25026	1	Spring, Oil Pressure			
13	D25028	1	Gasket, Copper			
14	D25027	1	Plug, Pressure			
15	D136549	1	Oil Filter Ass'Y			
17	D110546	1	Cover, Filter			
18	243B0526	4	Screw			
19	43300090	7	Screw			
20	D25019	1	Gasket, Copper			
21	243B0529	1	Pressure Gauge Assy			
22	D110412	1	Adaptor			
23	243B0530	1	Pressure Gauge			
24	243B0532	1	Plug			
25	D150527	1	Gasket, Selector Valve			

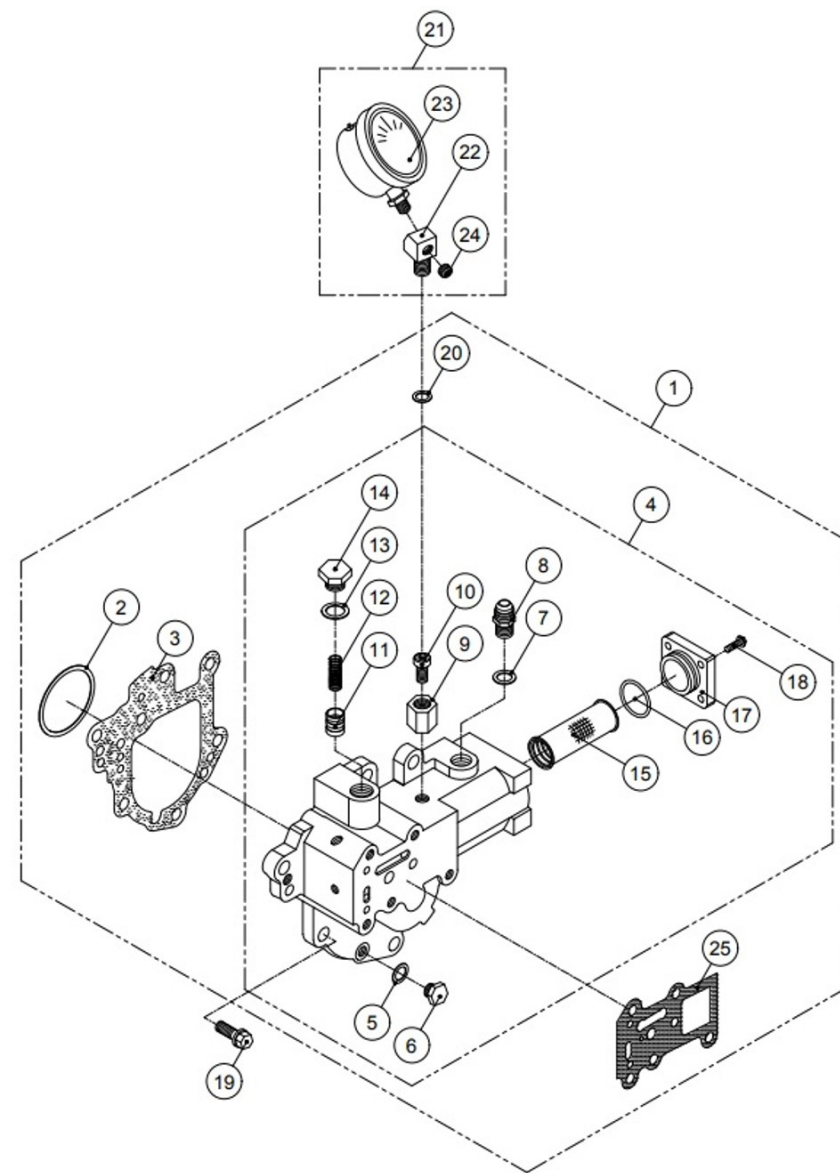
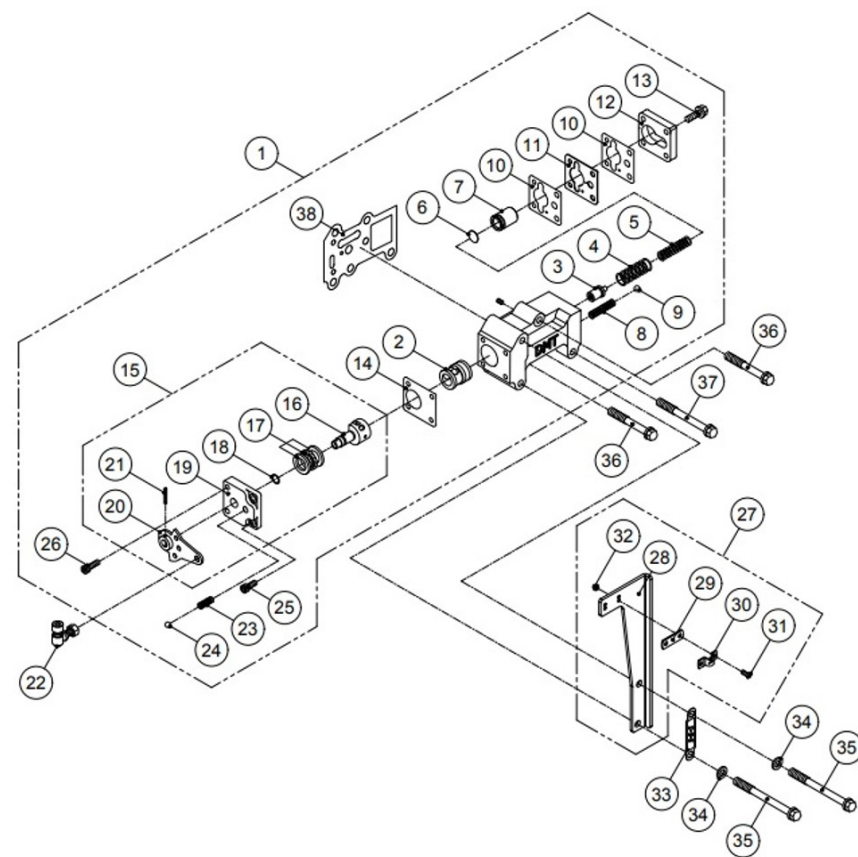


Fig.	Ref.	Qty.	Descr.	Obs	From	UpTo
1	DST025500	1	Selector Valve Group			
2	D025514	1	Sleeve			
3	D150510A	1	Pressure Regulating Valve ASS'Y			
4	D25507	1	Spring, Outer			
5	243D5450	1	Spring, Trolling			
6	243D5453	1	Spacer			
7	D150508	1	Piston			
8	D25502	1	Spring, Check Valve			
9	243B0555	1	Ball, Steel			
10	D150546	2	Gasket, Trolling Valve			
11	D150547	1	Plate, Orifice			
12	D25510	1	Cover, Piston			
14	D25515	1	Gasket, Valve Cover			
15	243B0536	1	Lever Group			
16	243D5443	1	Stem, Valve			
17	D51101	1	Bearing, Thrust			
18	243B0543	1	O-Ring			
19	D25517	1	Cover, Valve			
20	D25520	1	Lever Ass'Y			
21	243B0541	1	Pin, Spring			
22	D400524	1	Ball Joint ASS'Y			
23	D25518	1	Spring, Detent			
24	243B0548	1	Ball, Steel			
25	243B0547	2	Screw, Socket			
26	243B0546	2	Screw, Socket			
27	243B0567	1	Cable Bracket Assy			
28	243D5474	1	Bracket, Cable			
29	D400525	1	Shim			
30	D25536	1	Clamp			
31	243B0570	2	Screw			
32	243B0569	2	Nut			



D_0313_7 Sheet 7/9

Fig.	Ref.	Qty.	Descr.	Obs	From	UpTo
33	43305068	1	Plate, Name			
34	243B0540	2	Washer			
35	243B0564	2	Screw			
36	243B0562	2	Screw			
37	243B0563	1	Screw			
38	D150527	1	Gasket, Selector Valve			

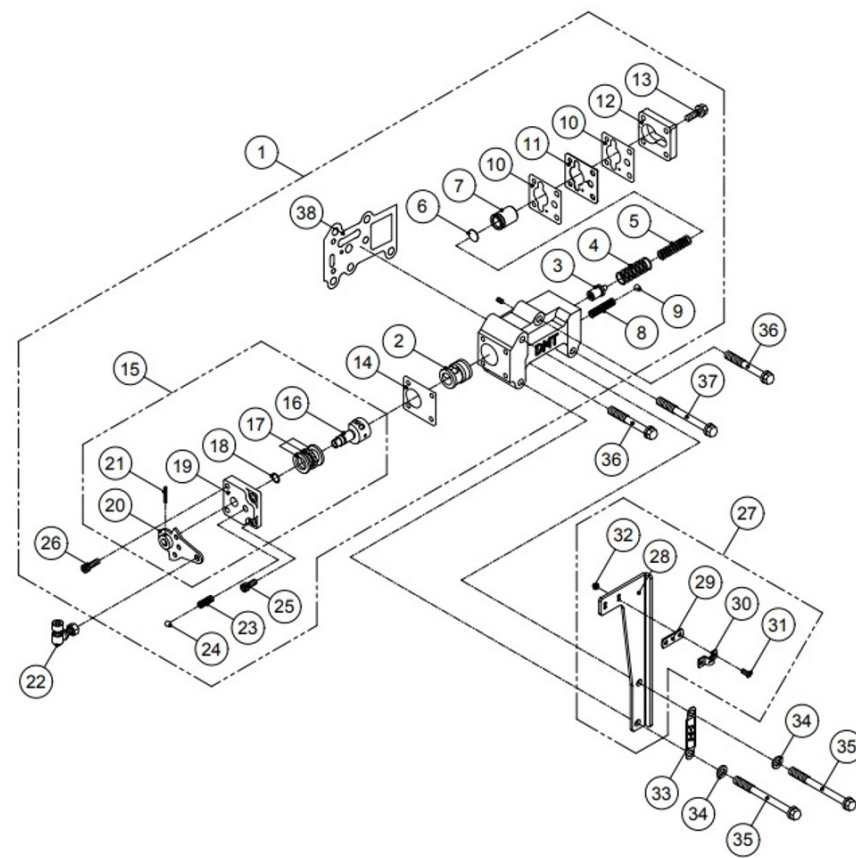


Fig.	Ref.	Qty.	Descr.	Obs	From	UpTo
1A	43306019	1	Oil Cooler Assy			
1B	DST050741	1	Oil Cooler ASS'Y Pf 2"			
2A	DAS050720	1	Oil Cooler Ass'Y			
2B	DAS050741	1	Oil Cooler ASS'Y			
3A	43306027	1	Element Cooler			
3B	43306028	1	Element Cooler			
4A	D150750	2	O-Ring			
4B	D400750	2	O-Ring			
5A	43306021	2	Cooler Cover Assy			
6A	43306024	2	Cover, Cooler			
6B	D260701	2	Cover, Cooler Pf 2"			
7	D150753	2	Zinc Anode ASS'Y			
8A	243D5047	8	Screw			
8B	43306023	8	Screw			
9A	D150031	2	Bracket, Cooler			
9B	43306030	2	Bracket, Cooler			
10	D25028	4	Gasket, Copper			
11A	D070711	1	Hose ASS'Y			
11B	D100710	1	Hose Ass'Y			
12	43306031	2	Bolt, Union			
13A	D070710	1	Hose ASS'Y			
13B	D195712	1	Hose Ass'Y			

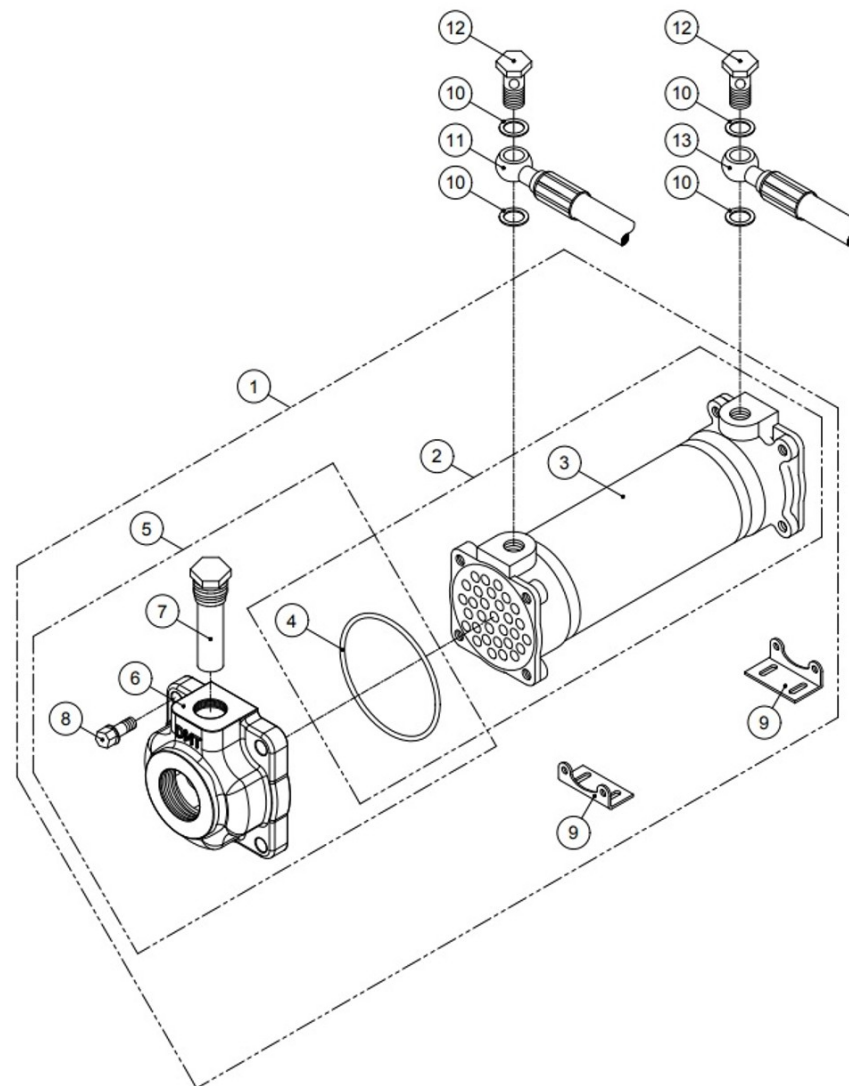
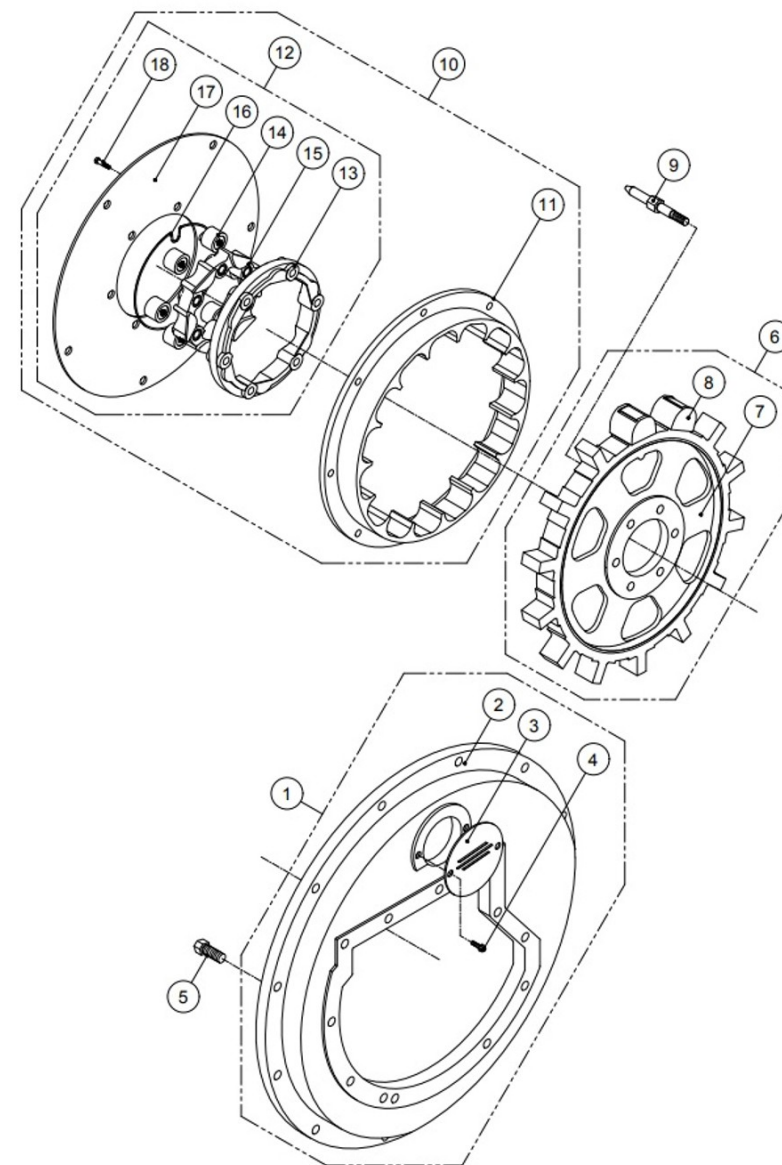
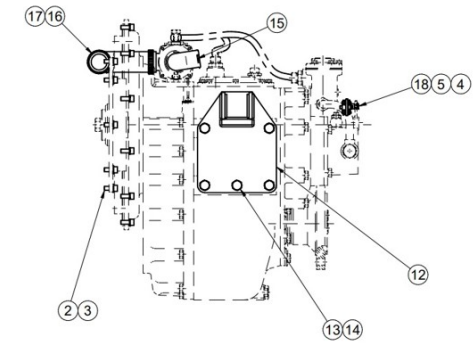
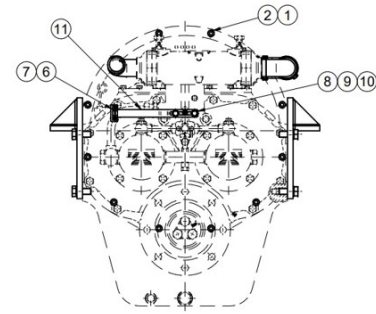


Fig.	Ref.	Qty.	Descr.	Obs	From	UpTo
1	D100903G	1	Housing, Flywheel Ass'Y SAE #3			
2	D100903	1	Housing, Flywheel SAE #3			
3	43306044	1	Cover, Check			
4	43306045	2	Screw			
5	43300044	11	Screw			
6	43306038	1	Spider, Drive Assy			
7	43306039	1	Spider, Drive			
8	43306040	12	Block, Rubber			
9	43306041	6	Bolt, Reamer			
10	43306034	1	Ring, Driving Assy			
11	43306036	1	Driving Ring			
12	43306037	1	Center Ring Assy			
13	D050863T	1	Cover, Rubber			
15	D050861T	1	Ring, Center 11.5"			
16	D050864T	1	Stopper, Center Ring			
17	D050862T	1	Plate 11.5"			
18	43306035	12	Bolt, Reamer			



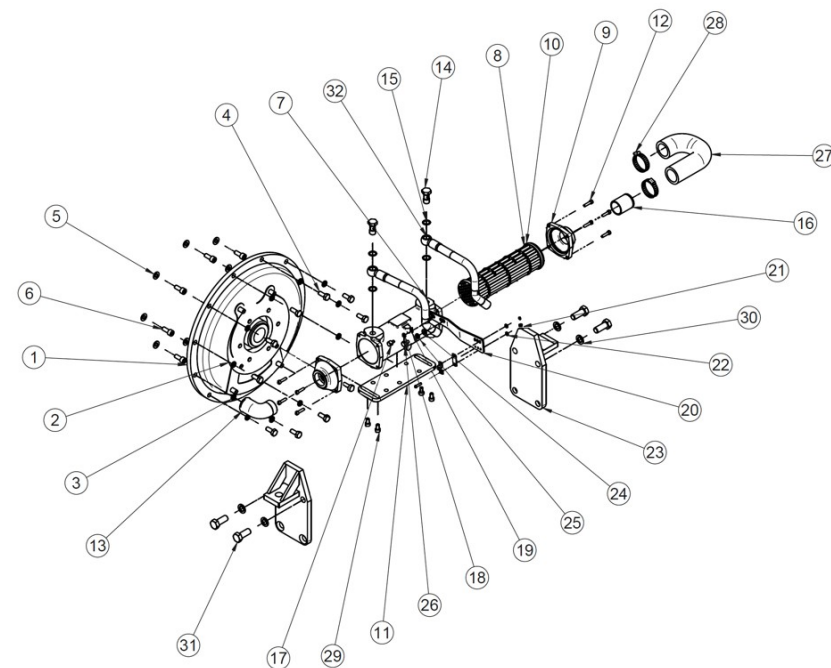
19610208 Kit GearBox TM-360

Fig.	Ref.	Qty.	Descr.	Obs	From	UpTo
1	53033010	12	Washer GROWER DIN 127-10			
2	52103308	20	Bolt DIN 912 M10-25 8.8			
3	53038010	8	Washer DIN 6798-A 10			
4	51030006	1	Washer DIN 125-6			
5	51051107	1	Pin DIN-94 1,6-16			
6	24810913	1	Clamp,CABLE			
7	51030005	2	Washer DIN 125-5			
8	51030008	2	Washer DIN 125-8			
9	53033008	2	Washer GROWER DIN 127-8			
10	52102256	2	Bolt DIN 933 M8-16 8.8			
11	18619020	1	Bracket,Gear box control			
12	19610209	2	Bracket,TM-360 Reverse			
13	53033016C	10	Washer			
14	52102461	10	Bolt DIN 933 M16-40 8.8			
15	19111015	2	Elbow 90° 1 1/2"			
16	17411013	1	Thermostat Water Outlet Elbow			
17	54082040	2	Clamp DIN 3017 40-60/12 W4			
18	14719115	1	Coupling,cable			



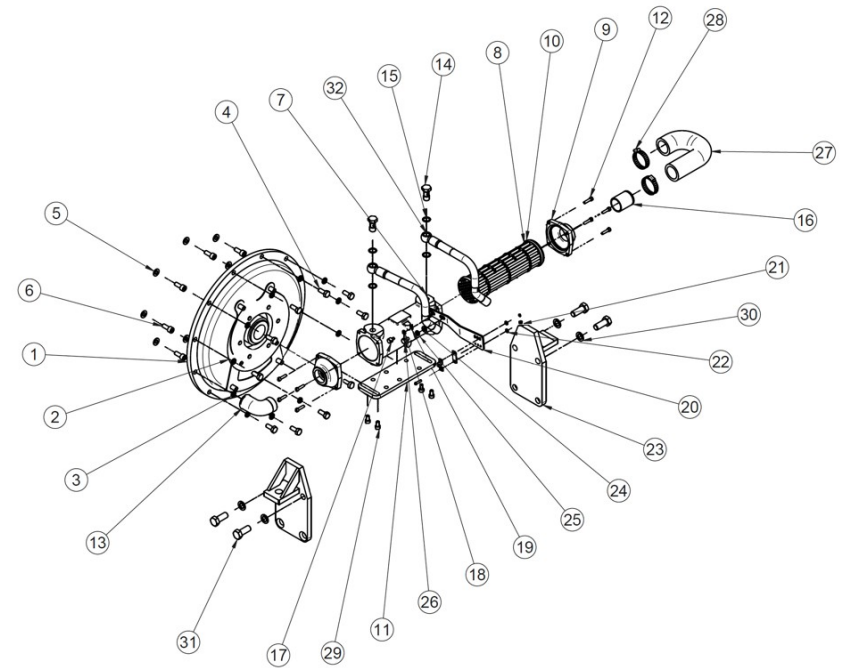
19610215 Kit GearBox TM-1200A

Fig.	Ref.	Qty.	Descr.	Obs	From	UpTo
1	24846021	1	SAE 3 housing TM-1200A			
2	24846010	1	Flexible coupling CFR 136 11" 1/2			
3	53033010	12	Washer GROWER DIN 127-10			
4	52102309	12	Bolt DIN 933 M10-30 8.8			
5	53038010	8	Washer DIN 6798-A 10			
6	52103308	8	Bolt DIN 912 M10-25 8.8			
7	14712001	1	Body,cooler			
8	14712003	1	Tubular Bundle			
9	19412003	2	Water Cooler Cover			
10	14712004	2	O-Ring D. 72X4			
11	19012019	1	Bracket, Cooler Oil			
12	52103158	8	Bolt DIN 912 M6-25 8.8			
13	16511009	1	Elbow			
14	14712015	2	Bolt,Coupling pipe oil			
15	57000375	4	Washer 17-22-1,5			
16	19411048	1	Coupling			
17	14719115	1	Coupling,cable			
18	51030006	4	Washer DIN 125-6			
19	51051107	1	Pin DIN-94 1,6-16			
20	24810901	1	Bracket, GearBox Control			
21	24810913	1	Clamp,CABLE			
22	51030005	2	Washer DIN 125-5			
23	19610009	2	Bracket,Reverse TM-1200A			
24	51030008	2	Washer DIN 125-8			
25	53033008	2	Washer GROWER DIN 127-8			
26	52102256	2	Bolt DIN 933 M8-16 8.8			
27	19411034	1	Pipe, Rubber			
28	54082032	2	Clamp DIN 3017 32-50/12 W4			
29	52103256	4	Bolt DIN 912 M8-16 8.8			
30	53033016C	8	Washer			
31	52102461	8	Bolt DIN 933 M16-40 8.8			



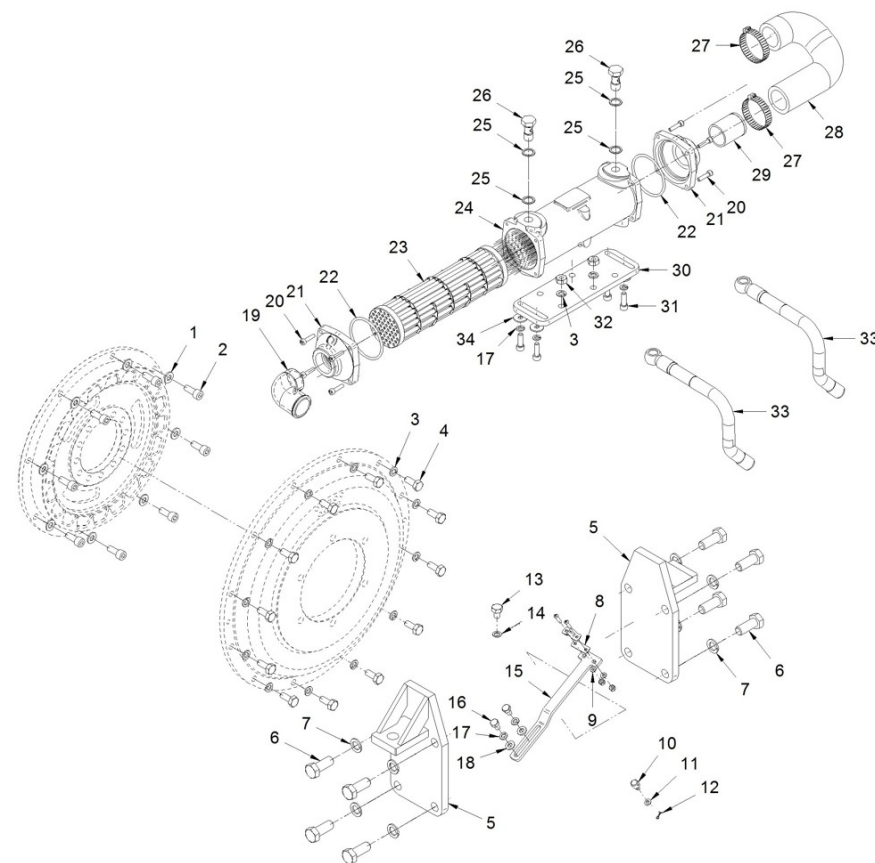
19610215 Kit GearBox TM-1200A

Fig.	Ref.	Qty.	Descr.	Obs	From	UpTo
32	17112024	2	Pipe, rev.oil Cooler			
NS	54082040	2	Clamp DIN 3017 40-60/12 W4			
NS	M87504252	1	Water Intake Hose (HQ) D. 42-52			



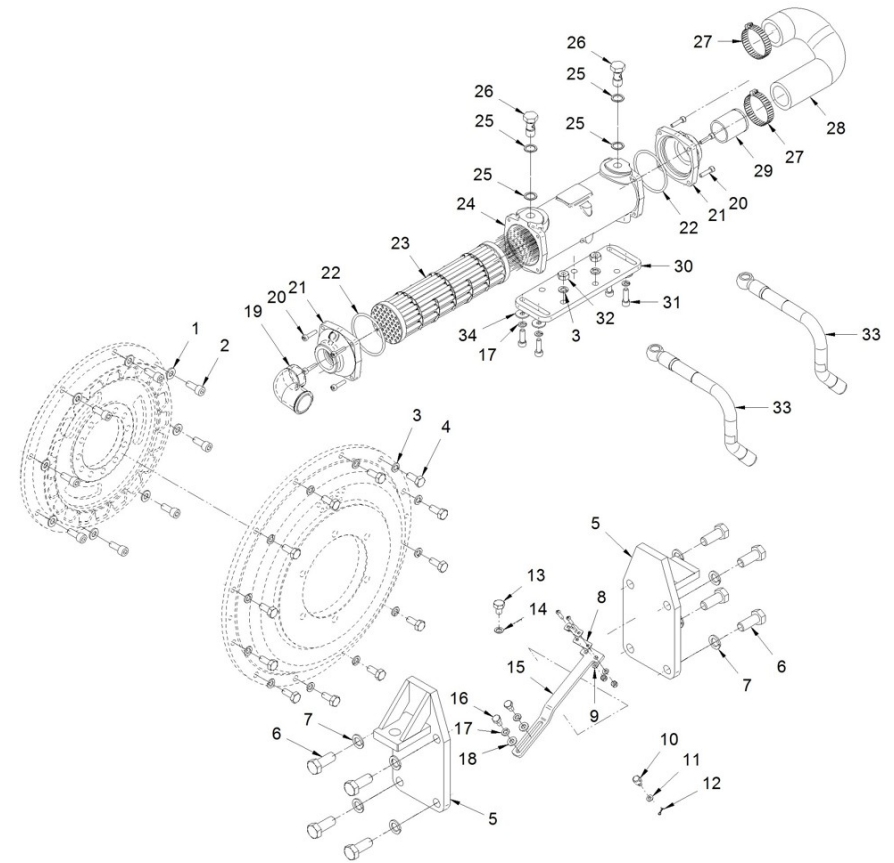
19610200 Gearbox Kit for TM-265/A Oil Cooler & Supports

Fig.	Ref.	Qty.	Descr.	Obs	From	UpTo
1	53038010	8	Washer DIN 6798-A 10			
2	52103308	8	Bolt DIN 912 M10-25 8.8			
3	53033010	14	Washer GROWER DIN 127-10			
4	52102308	12	Bolt DIN 933 M10-25 8.8			
5	19610007	2	Bracket,REVERSE TM 265			
6	52102461	8	Bolt DIN 933 M16-40 8.8			
7	53033016C	8	Washer			
8	24810913	1	Clamp,CABLE			
9	51030005	2	Washer DIN 125-5			
10	14719115	1	Coupling,cable			
11	51030006	2	Washer DIN 125-6			
12	51051107	1	Pin DIN-94 1,6-16			
13	52102306	1	Bolt DIN 933 M10-15 8.8			
14	56000061	1	Washer 10-16-1,5			
15	18619020	1	Bracket,Gear box control			
16	52102256	4	Bolt DIN 933 M8-16 8.8			
17	53033008	6	Washer GROWER DIN 127-8			
18	51030008	4	Washer DIN 125-8			
19	16511009	1	Elbow			
20	52103158	8	Bolt DIN 912 M6-25 8.8			
21	19412003	2	Water Cooler Cover			
22	14712004	2	O-Ring D. 72X4			
23	14712003	1	Tubular Bundle			
24	14712001	1	Body,cooler			
25	57000375	4	Washer 17-22-1,5			
26	14712015	2	Bolt,Coupling pipe oil			
27	54082032	2	Clamp DIN 3017 32-50/12 W4			
28	19411034	1	Pipe, Rubber			
29	19411048	1	Coupling			
30	19012019	1	Bracket, Cooler Oil			
31	52103258	4	Bolt DIN 912 M8-25 8.8			



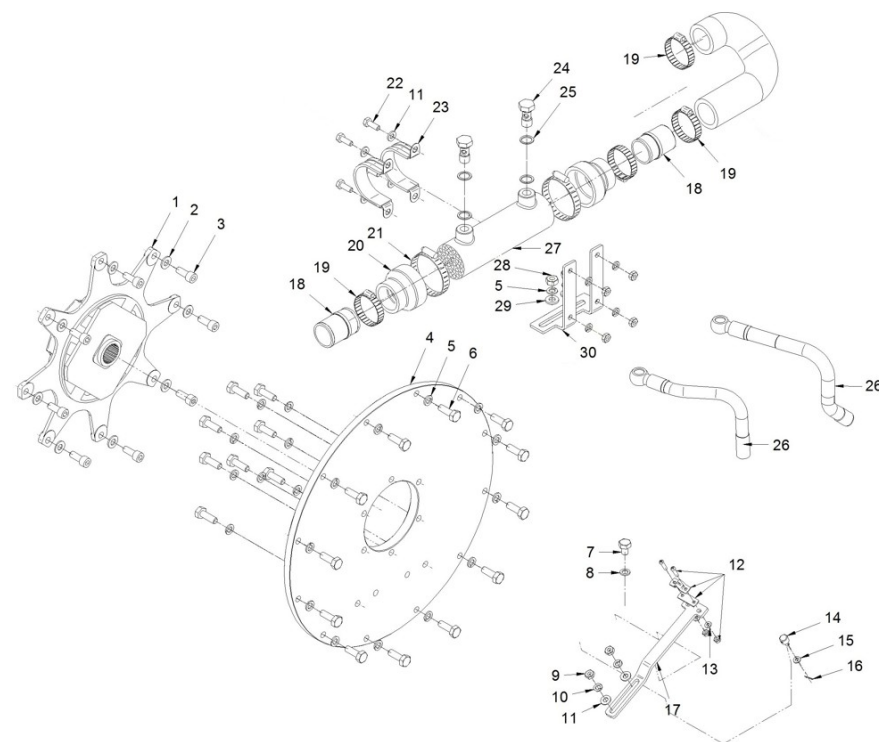
19610200 Gearbox Kit for TM-265/A Oil Cooler & Supports

Fig.	Ref.	Qty.	Descr.	Obs	From	UpTo
32	52120010	2	Nut DIN 934 M10 8.8			
33	17112024	2	Pipe, rev.oil Cooler			
34	51031008	4	Washer DIN 9021 8			



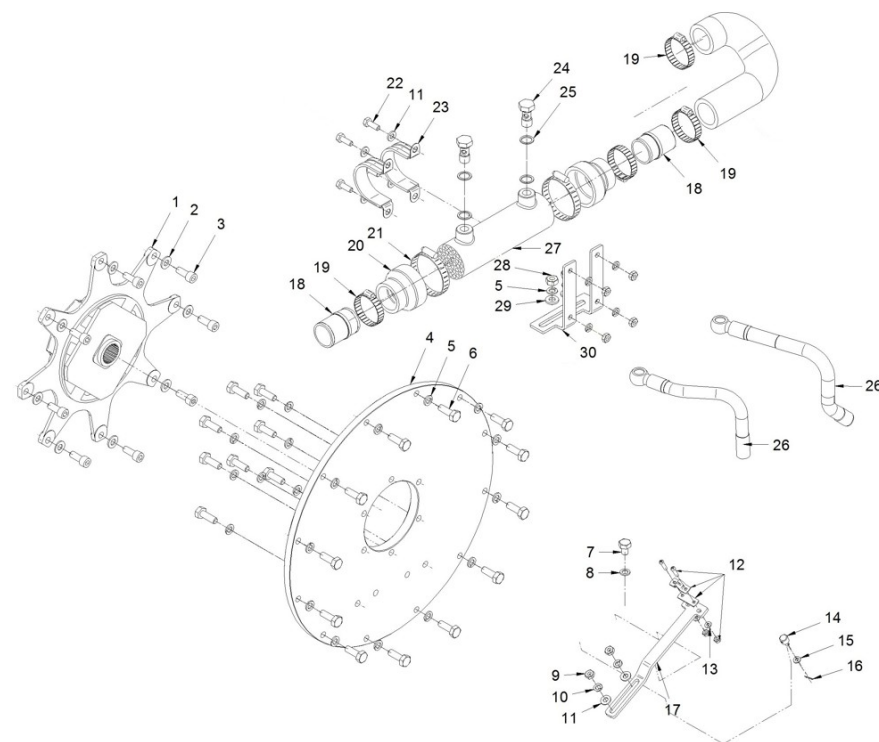
19610210 Kit GearBox TM-880A

Fig.	Ref.	Qty.	Descr.	Obs	From	UpTo
1	16510170	1	Flexible coupling type C SAE 11"1/2			
2	53038010	8	Washer DIN 6798-A 10			
3	52103308	8	Bolt DIN 912 M10-25 8.8			
4	24810021	1	SAE 3 housing TM-93/A/170/880A (H=12,5 mm)			
5	53033010	14	Washer GROWER DIN 127-10			
6	52102309	12	Bolt DIN 933 M10-30 8.8			
7	52102306	1	Bolt DIN 933 M10-15 8.8			
8	56000061	1	Washer 10-16-1,5			
9	52120008	6	Nut DIN 934 M8 8.8			
10	53033008	6	Washer GROWER DIN 127-8			
11	51030008	6	Washer DIN 125-8			
12	24810913	1	Clamp,CABLE			
13	51030005	2	Washer DIN 125-5			
14	14719115	1	Coupling,cable			
15	51030006	4	Washer DIN 125-6			
16	51051107	1	Pin DIN-94 1,6-16			
17	18619020	1	Bracket,Gear box control			
18	19411026	2	Pipe			
19	54082032	2	Clamp DIN 3017 32-50/12 W4			
20	15312007	2	Water Cooler Cover			
21	54082050	2	Clamp DIN 3017 50-70/12 W4			
22	52102257	4	Bolt DIN 933 M8-20 8.8			
23	59072604	2	Clamp			
24	14712015	2	Bolt,Coupling pipe oil			
25	59031017	4	Washer			
26	17112024	2	Pipe, rev.oil Cooler			
27	1A012051	1	Cooler,oil			
28	52120010	2	Nut DIN 934 M10 8.8			
29	51030010	2	Washer DIN 125-10			
30	18012041	1	Bracket,TM93/170 oil cooler			
NS	19410010	1	Bracket			



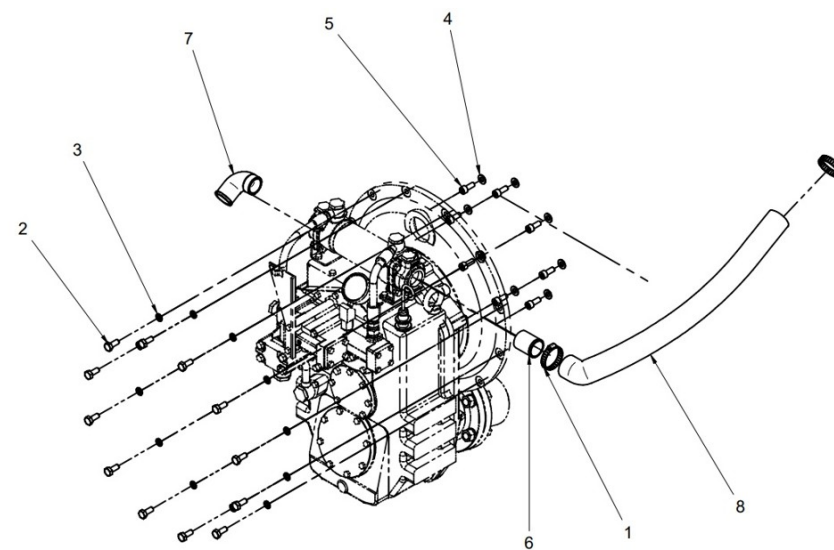
19610210 Kit GearBox TM-880A

Fig.	Ref.	Qty.	Descr.	Obs	From	UpTo
NS	52102156	2	Bolt DIN 933 M6-16 8.8			
NS	52120006	2	Nut DIN 934 M6 8.8			
NS	53033006	2	Washer GROWER DIN 127-6			
NS	54082025	2	Clamp DIN 3017 25-40/12 W4			
NS	59072482	1	Clamp 2 48/20 W1			
NS	M87503848	1.0	Water Intake Hose (HQ) D. 38-48			



19610219 Kit DMT-100IV Gearbox

Fig.	Ref.	Qty.	Descr.	Obs	From	UpTo
1	54082032	2	Clamp DIN 3017 32-50/12 W4			
2	52102308	12	Bolt DIN 933 M10-25 8.8			
3	53033010	12	Washer GROWER DIN 127-10			
4	53038010	8	Washer DIN 6798-A 10			
5	52103308	8	Bolt DIN 912 M10-25 8.8			
6	19411048	1	Coupling			
7	16511009	1	Elbow			
8	M87504252	0.0	Water Intake Hose (HQ) D. 42-52			



19610217 Gearbox kit DMT-100HL

Fig.	Ref.	Qty.	Descr.	Obs	From	UpTo
1	54082032	2	Clamp DIN 3017 32-50/12 W4			
2	52102308	12	Bolt DIN 933 M10-25 8.8			
3	53033010	12	Washer GROWER DIN 127-10			
4	53038010	8	Washer DIN 6798-A 10			
5	52103308	8	Bolt DIN 912 M10-25 8.8			
6	19411048	1	Coupling			
7	16511009	1	Elbow			
8	M87504252	0.0	Water Intake Hose (HQ) D. 42-52			

