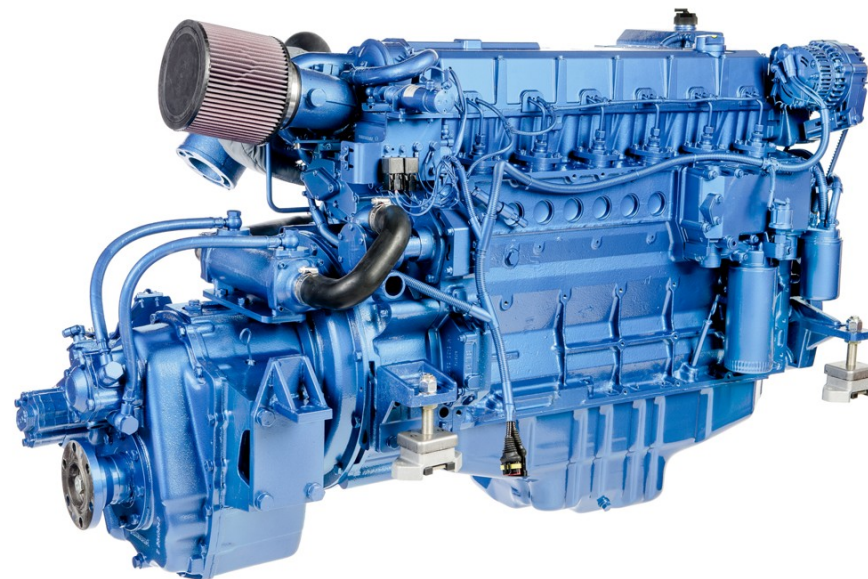
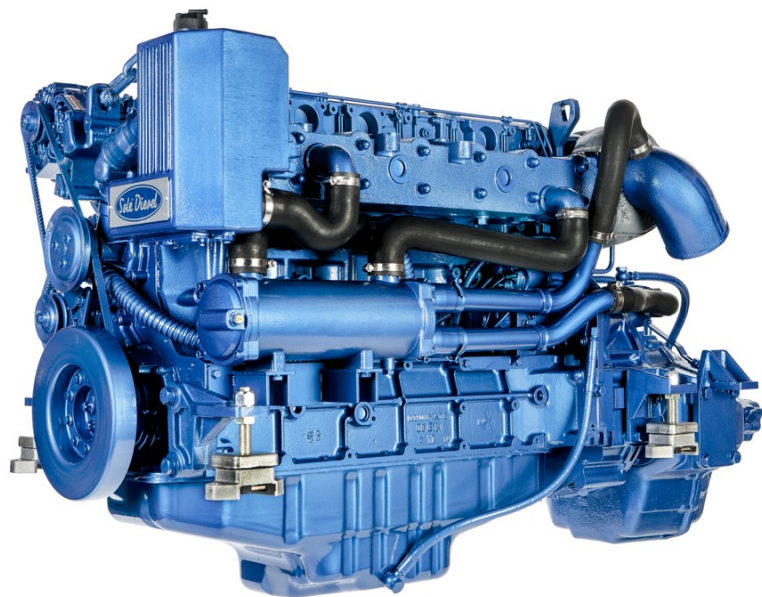




Engine SDZ-205

VERSION 2024-3

PART LIST



PARTS LIST CATALOGUE

NORMS TO PLACE AN ORDER

For fast and more efficient service, please specify the following information on spare parts orders that must be preferably done by e-mail as specified below:

- 1- Engine model: As shown in identification plate
- 2- Engine serial number: As shown in identification plate and stamped on crankcase
- 3- Item description + part number + quantity required

Spare parts requests must be addressed to :

orders@solediesel.com

Telf.: +34 93 775 44 05

The components shown in the catalog have:

- Figure: Number by which they are represented in scheme
- Description: Trade name of the component
- Quantity: Total number of parts used in the assembly of the part represented (may differ from the total minimum quantities)

Hoses, indicates the total length in meters

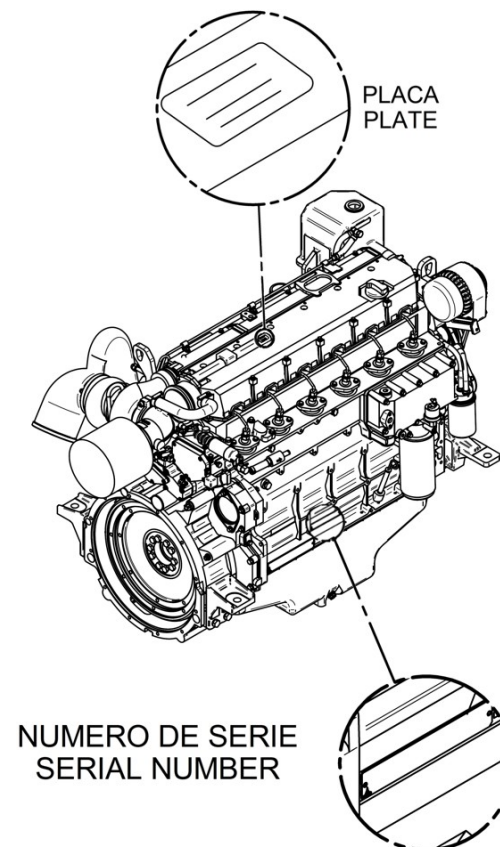
The diagrams shown in this catalog of spare parts, have only the purpose to identify the piece in question, its representation is not meaningful and may differ from the actual piece.

In case of doubt, contact Solé Diesel, or your authorized dealer.

The parts i / or references in this catalog are subject to change without notice.

SOLE, S.A.

C-243b, km, 2 - P.O. BOX 25
08760 Martorell (Barcelona) Spain



Index

Engine Body

- Cylinder Head
- Rocker Cover & Breather
- Valve Drive
- Timing Parts
- Gear Case
- Crankcase
- Flywheel Housing
- Piston & Connection Rod
- Crankshaft & Flywheel
- Oil System
- Oil Pan
- Engine Brackets
- Bracket, Engine Control
- Oil Cooler

Inlet & Exhaust

- Inlet
- Turbocharger
- Spare Parts, Turbocharger
- Exhaust Manifold
- Manifold Assy
- Breather Line

Cooling System

- Water Pump
- Cooler Pipes
- Wet Exhaust
- Water Cooler Assy SDZ-165/205/280
- Expansion Tank
- Key Pump SDZ-165/205/280 Gr-109/165

Fuel System

- Fuel Pipe
- Injection Nozzle
- Fuel Injection Pump
- Governor Parts
- Fuel Filter
- Feed Pump

24V Electrical System

- 24V Electrical Wiring
- Kit Alternator 24V/55A
- Starter
- SVT 30 SDZ-165/205/280 Panel
- Panel SSG 30 Spare Parts
- Engine Extension

- Gasket Kit
- Fuel Filter
- Hand Pump
- Pipe Rubber Set
- Special Tools 1/4
- Special Tools 2/4
- Special Tools 3/4
- Special Tools 4/4

Gearbox TM-265

- Sheet 1.1/4
- Sheet 1.2/4
- Input Shaft 2/4
- Intermediate Shaft 3/4
- Output Shaft 4/4
- Maintenance Kit

Gearbox TM-265A

- Sheet 1.1/4
- Sheet 1.2/4
- Input Shaft 2/4
- Intermediate Shaft 3/4
- Output Shaft 4/4
- Maintenance Kit

Gearbox TM-170

- Sheet 1.1/4
- Sheet 1.2/4
- Sheet 1.3/4
- Input Shaft 2/4
- Intermediate Shaft 3/4
- Output Shaft 4/4
- Maintenance Kit

Gearbox TM-880A

- Sheet 1.1/4
- Sheet 1.2/4
- Sheet 1.3/4
- Input Shaft 2/4
- Intermediate Shaft 3/4
- Output Shaft 4/4
- Maintenance Kit

Gearbox TM-200B

- Housing 1/4
- Sheet 2/4
- Sheet 3/4
- Sheet 4/4
- Maintenance Kit

- Housing 1/4
- Sheet 2/4
- Sheet 3/4
- Sheet 4/4
- Maintenance Kit

Gearbox DMT-100 HL

- Sheet 1/9
- Sheet 2/9
- Sheet 3/9
- Sheet 4/9
- Sheet 5/9
- Sheet 6/9
- Sheet 7/9
- Sheet 8/9
- Sheet 9/9

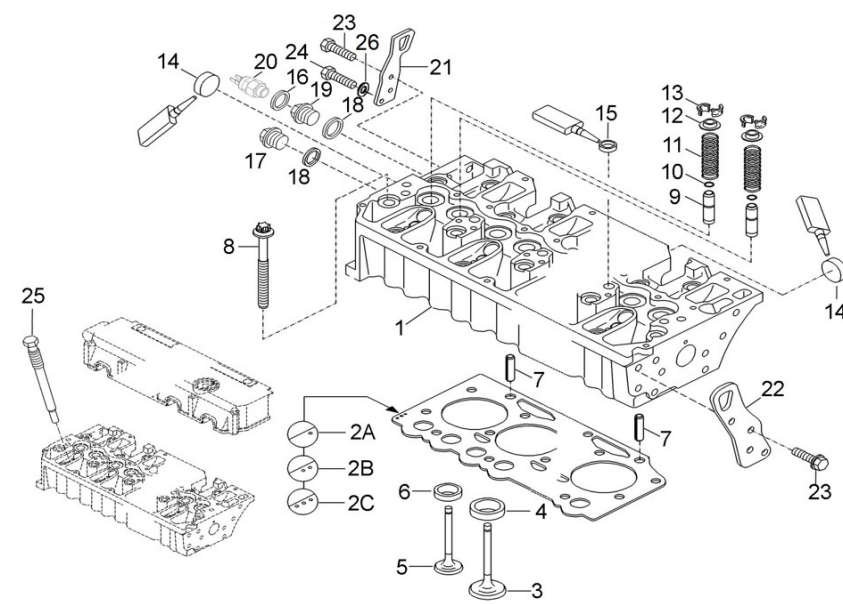
Gearbox DMT-90 A

- Sheet 1/8
- Sheet 2/8
- Sheet 3/8
- Sheet 4/8
- Sheet 5/8
- Sheet 6/8
- Sheet 7/8
- Sheet 8/8

Kit Gearbox

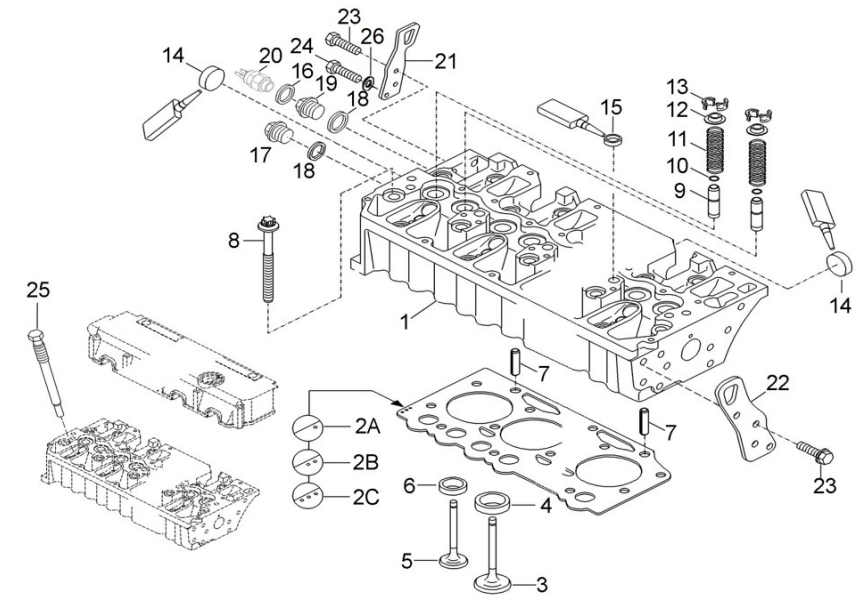
- Kit GearBox TM-265/A
- Kit GearBox TM-170/A/880A
- Kit GearBox TM-200B
- Kit GearBox TM-1200A
- Kit GearBox DONG-I DMT100HL/90A

D_SD21_1_1		Cylinder Head				
Fig.	Ref.	Qty.	Descr.	Obs	From	UpTo
1	19521001.1	1	Cylinder Head			
2A	19521006	1	Cylind.Head Gasket 1,54 mm			
2B	19521005	1	Cylind.Head Gasket 1,64mm			
2C	19521004.2	1	Cylind.Head Gasket 1,74mm			
3	19522055	6	Intake Valve			
4A	19421061	6	Valve Seat INSERT			
4B	19421061.1	0	OverSIZE Valve Seat INSERT - 1ST	#		
4C	19421061.2	0	OverSIZE Valve Seat INSERT - 2nd	#		
5	19522056	6	Exhaust Valve			
6A	19421062	6	Valve Seat INSERT			
6B	19421062.1	0	OverSIZE Valve Seat INSERT - 1A	#		
6C	19421062.2	0	OverSIZE Valve Seat INSERT - 2nd	#		
7	19421007	2	ClampING Bush			
8	19421005	26	Bolt,cylinder head			
9A	19421002A	12	Valve Guide			
9B	19421002.1	1	OverSIZE Valve Guide - 1ST			
9C	19421002.2	1	OverSIZE Valve Guide - 2nd			
10	19422054	12	O-Ring			
11	19522057	12	Compression Spring			
12	19422058	12	VALV.Spring RETAIN			
13	19422059	24	Valve COLLET			
14	19420011	5	Plug			
15	19421008	5	CORE Hole Plug			
16	56000069	1	Washer 14-20-1,5			11/01/2022
17	19420071.1	1	Screw Plug		22/11/2017	
17	60900988	1	Temperature Sensor			21/11/2017
18	19421016	2	SeallNG Ring			
19	19417003	1	Adapter Plug			11/01/2022
19	19421022.1	1	Screw plug		11/01/2022	
20	60994070	1	Thermo-switch 110°			11/01/2022
21	19610020	1	Bracket			



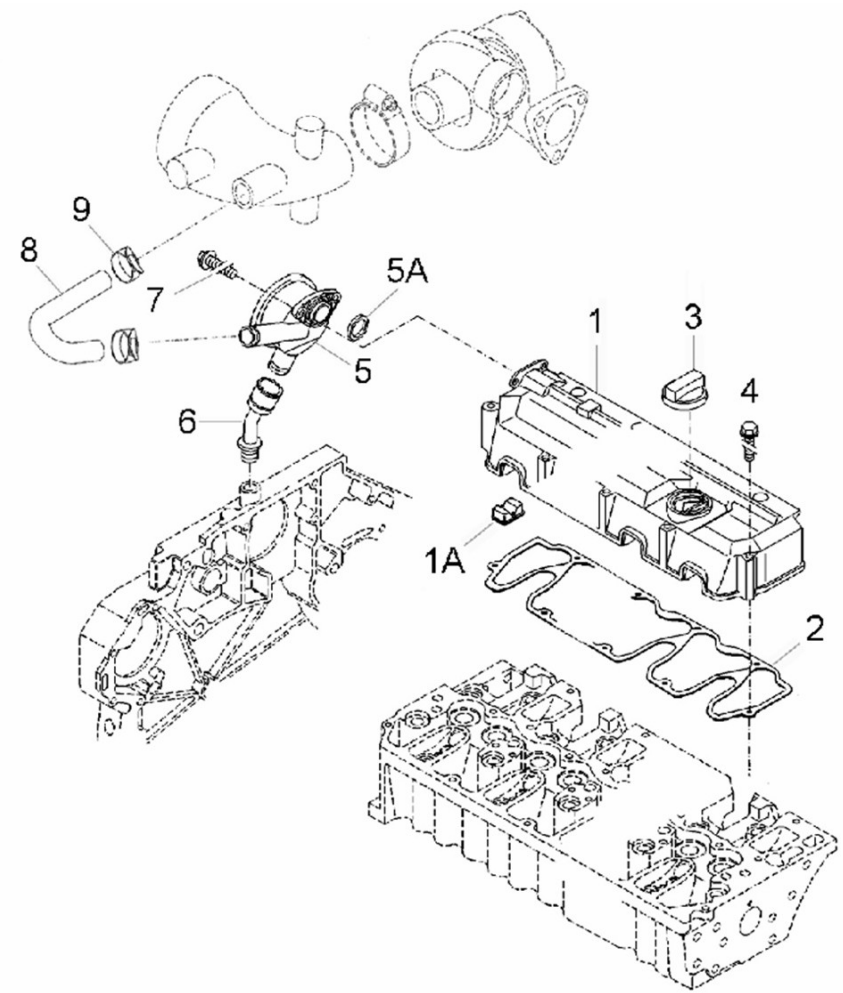
D_SD21_1_1 Cylinder Head

Fig.	Ref.	Qty.	Descr.	Obs	From	UpTo
22	19420081	1	SUSPENSING Plate			
23	19420079	4	Screw			
24	52102309	2	Bolt DIN 933 M10-30 8.8			
25	19420217	1	BLANKING PARTS			
26	53033010	2	Washer GROWER DIN 127-10			
NS	19421017	1	SAFETY/LOCK.AGENT			



D_SD21_1_2 Rocker Cover & Breather

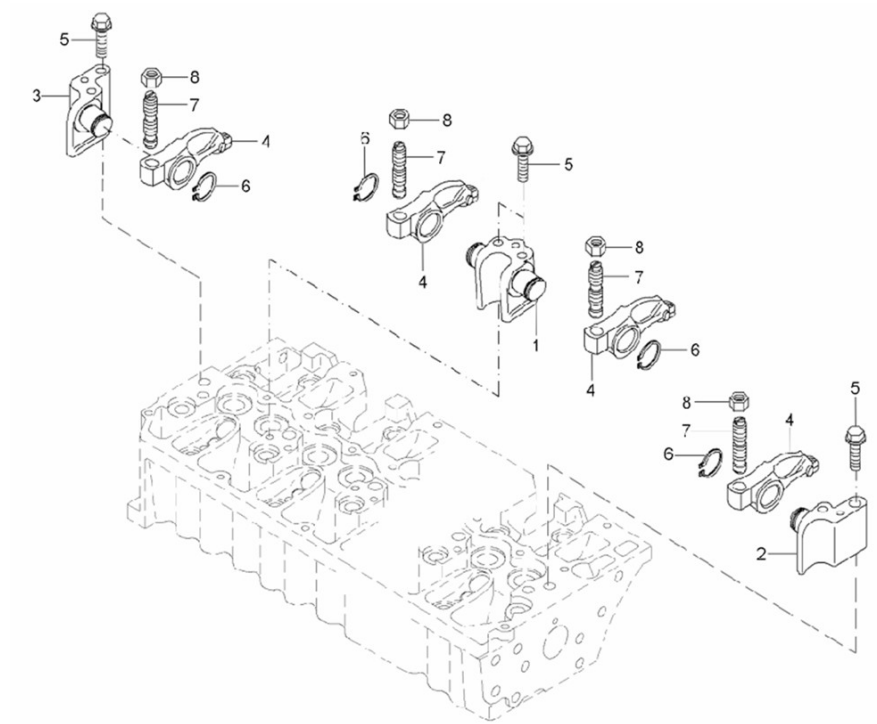
Fig.	Ref.	Qty.	Descr.	Obs	From	UpTo
1	19521009.1	1	Cover Assy, Rocker			
1A	19521011	1	Cap			
2	19521010.1	1	Gasket			
3	19421003	1	FILLER Cap			
4	19421012	13	HEXAGON Bolt			
5	19521051.1	1	Pressure REGULATO			
5A	19521052	1	Gasket			
6	19621054	1	RUBBER SLEEVE			
7	19421053	1	HEXAGON Bolt			
8	19421057.1	1	Hose DESAirA			
9	19421056	2	Hose Clip			



D_SD21_1_3

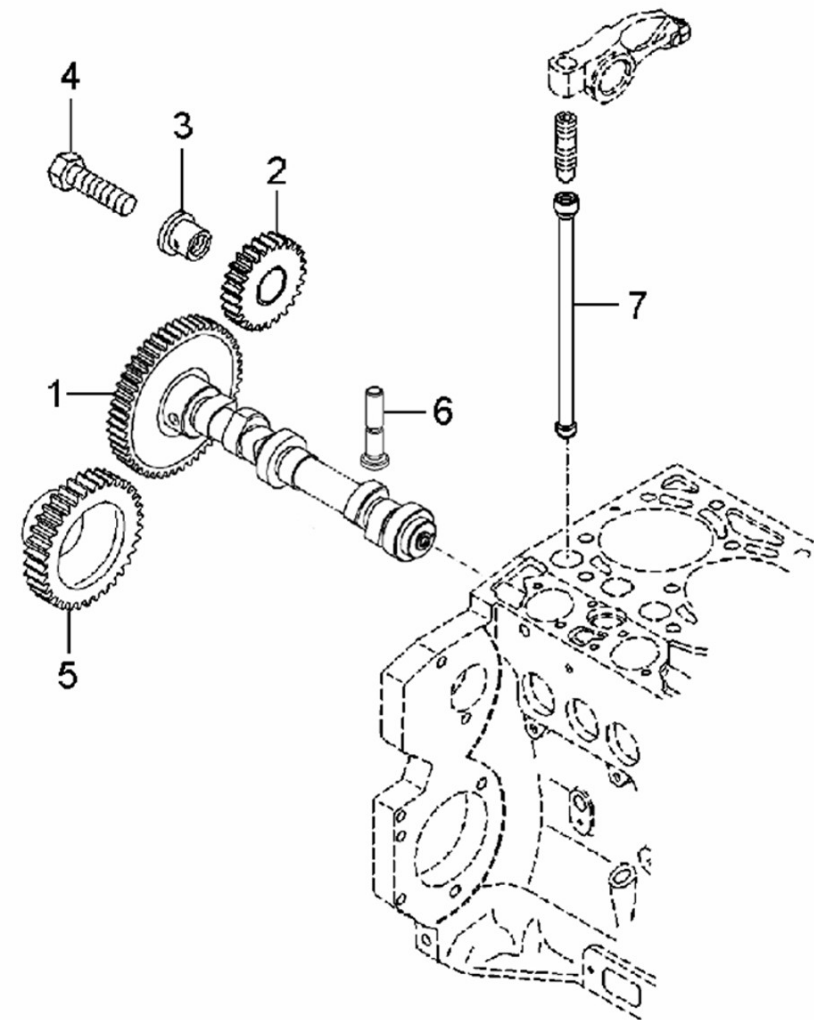
Valve Drive

Fig.	Ref.	Qty.	Descr.	Obs	From	UpTo
1	19522045	5	Rocker Arm Bracket			
2	19422045.1	1	Rocker ARM Bracket			
3	19422045.2	1	Rocker ARM Bracket			
4	19422042	12	Rocker ARM			
5	19422053	14	HEXAGON Bolt			
6	19422047	12	CIRClip			
7	19422044	12	Screw Adjusting			
8	19422052	12	Nut			

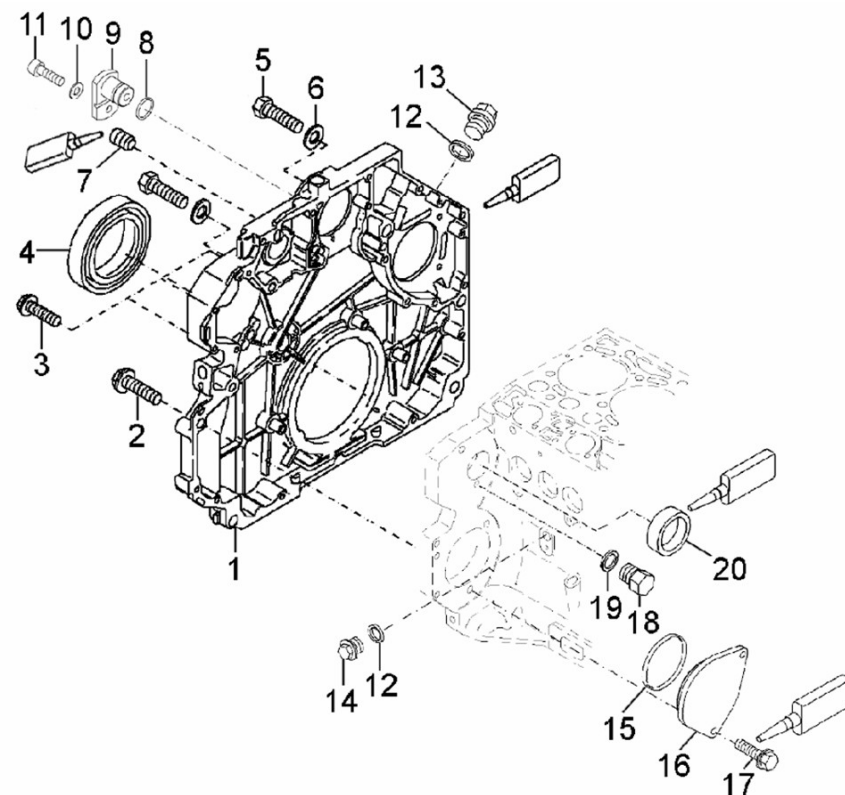


D_SD21_1_4 Timing Parts

Fig.	Ref.	Qty.	Descr.	Obs	From	UpTo
1	19522035.1	1	Camshaft			
2	19422065	1	TOOTHED Gear			
3	19422067	1	THREADED PIECE			
4	19422066	1	HEXAGON Bolt			
5	19421124	1	Toothed Gear			
6	19422061	12	Tappet			
7	19422041	12	PUSHROD			

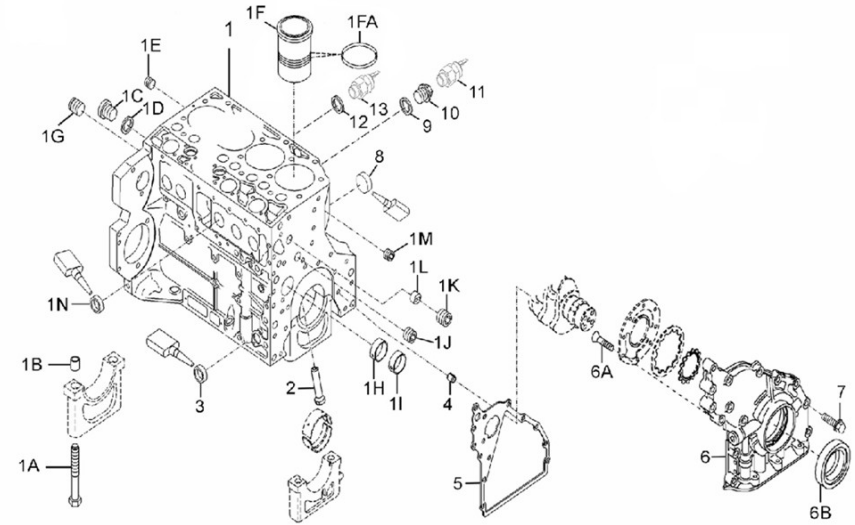


D_SD21_1_5		Gear Case			
Fig.	Ref.	Qty.	Descr.	Obs	From UpTo
1	19420055.1	1	GearCase		
2	19522035.1	12	Camshaft		
3	19421144	1	Hexagon Bolt		
4	19420039.1	1	ROT.Shaft LIP Seal		
5	19420056.1	2	Screw		
6	19420057.2	2	Plain Washer		
7	19420058.1	1	Screw		
8	19420200	1	O-Ring		
9	19420188	1	Plug		
10	19420201	1	Plain Washer		
11	19420187	1	Bolt		
12	19421016	1	Sealing Ring		
13	19421020	1	Screw Plug		
14	19420071.1	1	Screw Plug		
15	19420226	1	O-Ring D. 100X4		
16	19420225	1	Cover		
17	19420223	2	HEXAGON Bolt		
18	19421023	2	Screw Plug		
19	19424087	2	Sealing Ring		
20	19421024	1	Core Hole Plug		
NS	19420013	1	SAFETY/LOCK.AGENT		
NS	19420152	1	SAFETY/LOCK.AGENT		



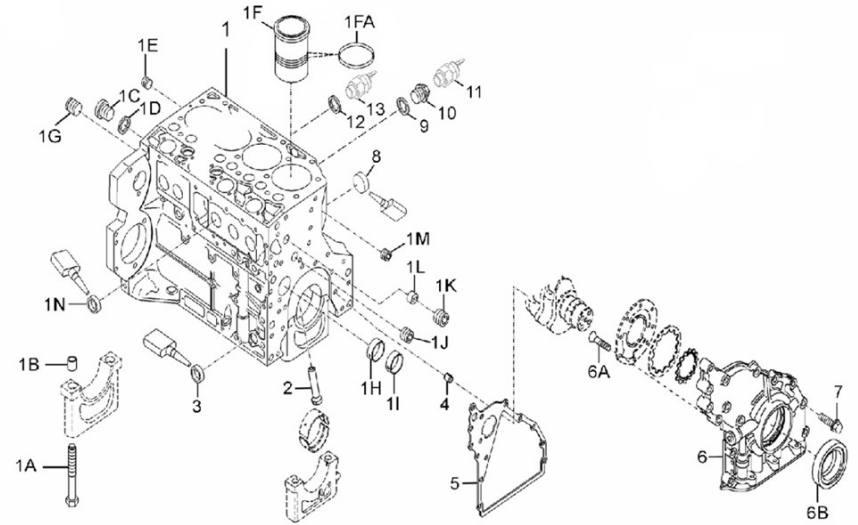
D_SD21_1_6 Cranckcase

Fig.	Ref.	Qty.	Descr.	Obs	From	UpTo
1	19520001	1	Crankcase			
1A	19420061	14	Screw			
1B	19420062	14	Bush			
1C	19420063	2	Screw Plug			
1D	19420064	3	SeallNG Ring			
1E	19420058.1	1	Screw			
1F	19420050	6	Cylinder LINER			
1FA	19420074	12	O-Ring D. 115X3			
1G	19520073	1	Screw Plug			
1H	19420069	1	Bearing Bush			
1I	19420068	6	Bearing Bush			
1J	19520066	1	Screw Plug			
1K	19520065	1	Screw Plug			
1L	19420072	1	Guide SLEEVE			
1M	19420067	2	Screw Plug			
1N	19420070.1	10	CORE Hole Plug			
2	19420034	6	Piston COOL.Nozzle			
3	19422054	1	O-Ring			
4	19420028	1	ClampING Bush			
5	19420026.2	1	Gasket			
6	19520025	1	Front Cover			
6A	19420009	8	Screw			
6B	19420008	1	ROT.Shaft LIP Seal			
7	19420027	14	Screw			
8	19420180	1	CORE Hole Plug			
9	56000069	1	Washer 14-20-1,5			
10	19417001	1	Plug			
11	60900076	1	Switch, oil press			
12	56000219	1	Washer 14-20-3		22/11/2017	
13	19420071	1	Screw Plug			21/11/2017
13	60900988	1	Temperature Sensor		22/11/2017	11/01/2022



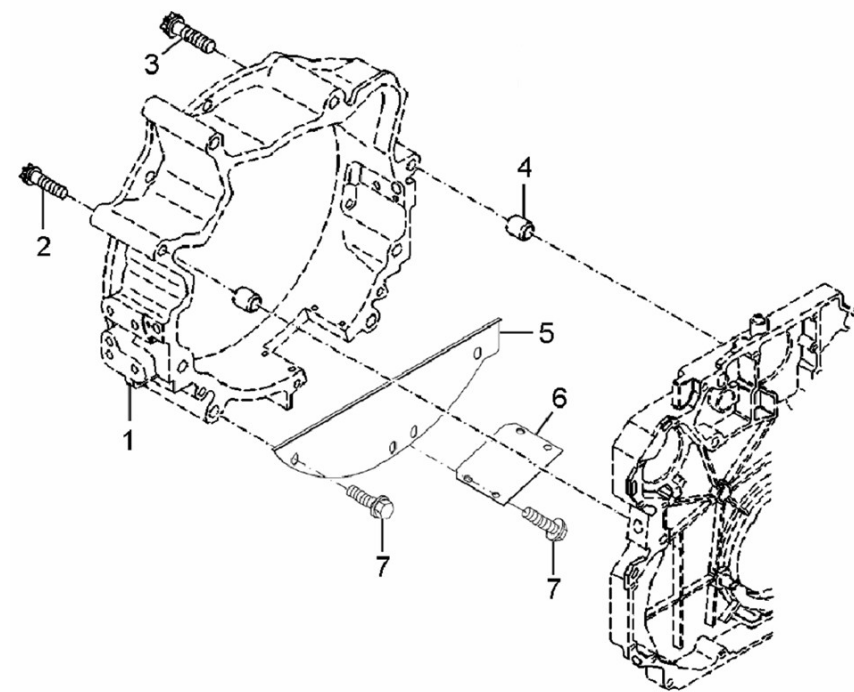
D_SD21_1_6 Cranckcase

Fig.	Ref.	Qty.	Descr.	Obs	From	UpTo
13	60994070	1	Thermo-switch 110°		11/01/2022	



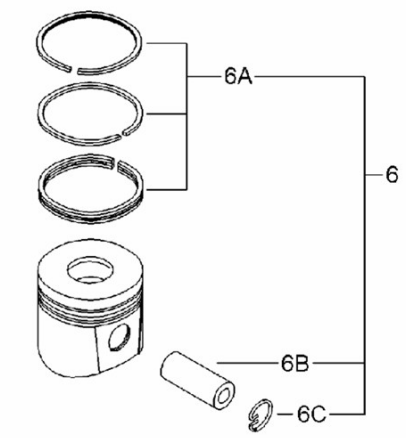
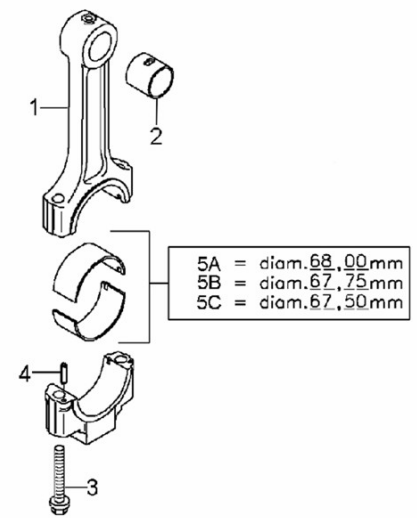
D_SD21_1_7 Flywheel Housing

Fig.	Ref.	Qty.	Descr.	Obs	From	UpTo
1	19420211	1	Connection Housing			
2	19420203	2	Bolt			
3	19420204	4	Bolt			
4	19420210	2	Bush			
5	19420213	1	Cover			
6	19420205	1	Cover			
7	19428054	7	Screw			



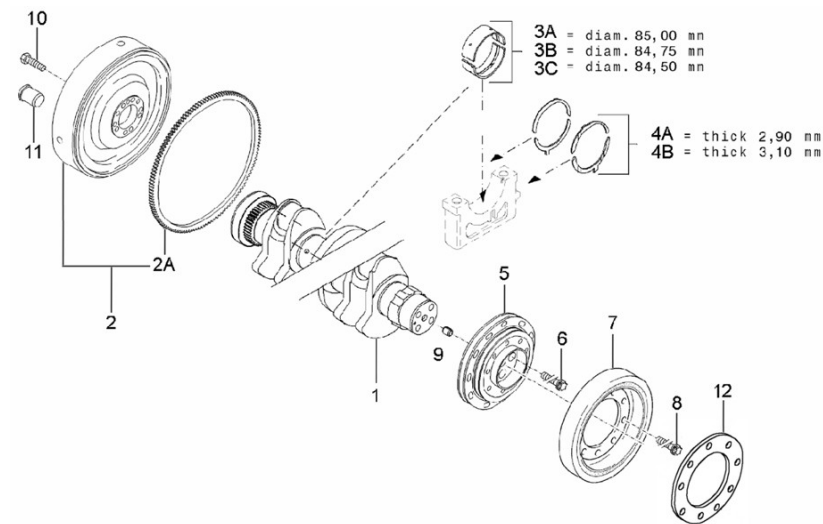
D_SD21_1_8 Piston & Connecting Rod

Fig.	Ref.	Qty.	Descr.	Obs	From	UpTo
1	19422012	6	Connecting Rod			
2	19422033	6	BIG END Bush			
3	19422013	12	Bolt,connecting rod			
4	19422009	12	ClampING Bush			
5A	19422014	6	BIG END Bearing Std.			
5B	19422015	0	BIG END Bearing -0,25	#		
5C	19422016	0	BIG END Bearing -0,50	#		
6	19522001.1	6	Piston			
6A	19422006G.1	6	Set of Pist. Rings			
6B	19422011.1	6	Piston Pin			
6C	19422010	12	CIRClip			



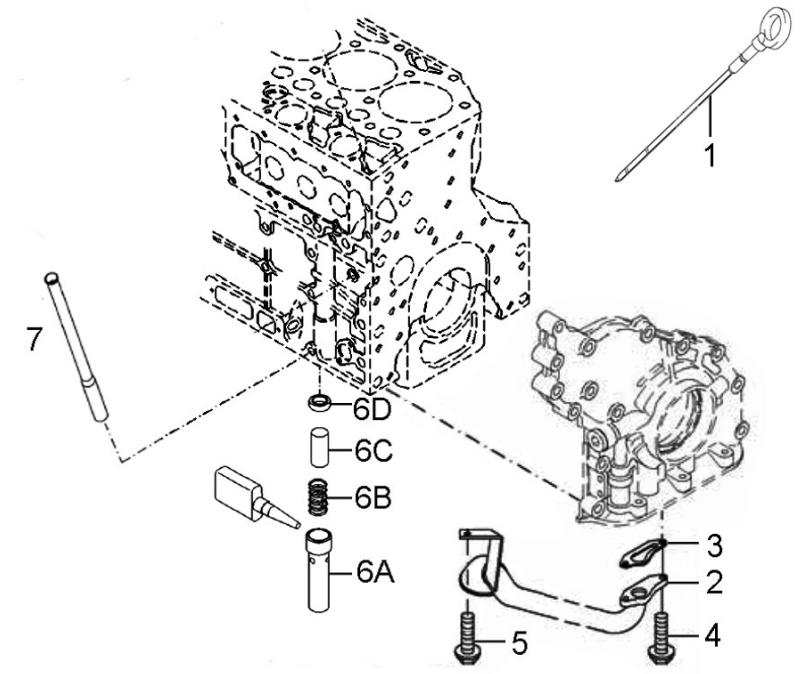
D_SD21_1_9 Crankshaft & Flywheel

Fig.	Ref.	Qty.	Descr.	Obs	From	UpTo
1	19522018.1	1	Crankshaft			
2	19422027	1	Flywheel			
2A	19422029.1	1	Gear RIM			
3A	19420003	7	Bearing Set STD.			
3B	19420005	0	Bearing Set -0,50	#		
3C	19420004	0	Bearing Set -0,25	#		
4A	19420105.1	14	THRUST Washer			
4B	19420109.1	14	THRUST Washer			
5	19622024.1	1	V-grooved pulley			
6	19422040	4	Bolt			
7	19522034.1	1	Vibration Damper			
8	19420079	9	Screw			
9	19422036	1	ClampING Bush			
10	19422031	10	HEXAGON Bolt			
11	19422037	5	Plug			
12	19622026.2	1	WASHER			



D_SD21_1_10 Oil Sysem

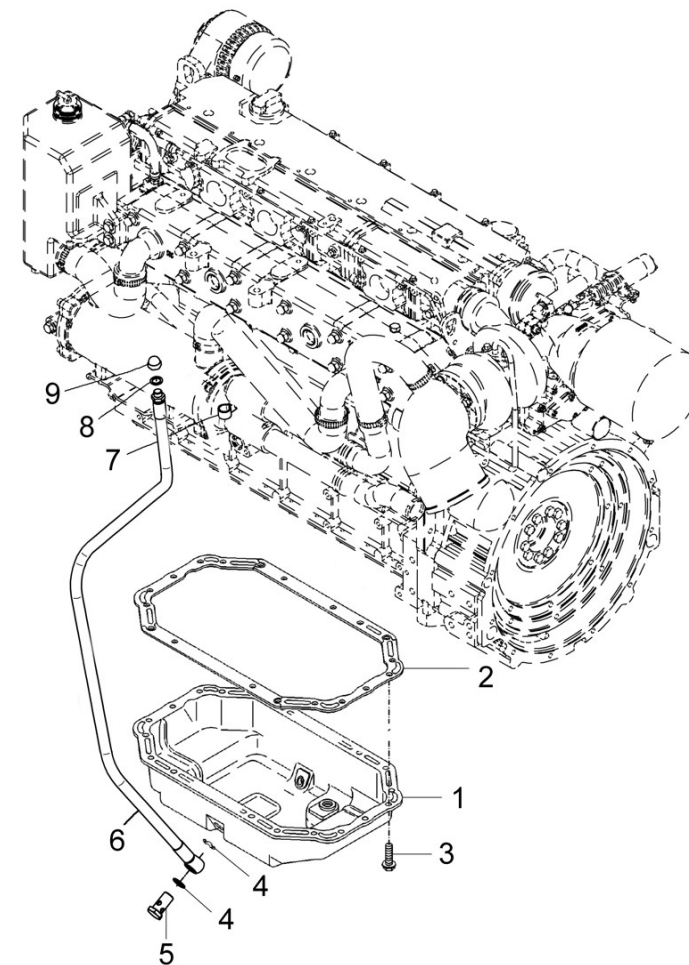
Fig.	Ref.	Qty.	Descr.	Obs	From	UpTo
1	19620029	1	Gauge Oil Level			
2	19624052	1	Oil Suction Pipe			
3	19424056.1	1	Gasket			
4	19424006	2	HEXAGON Bolt			
5	19420036	2	Screw			
6	19420040	1	Valve Assy			
6A	19420043	1	SLEEVE			
6B	19420041	1	COMPRESSION Spring			
6C	19420042	1	Valve Plunger			
6D	19420044	1	Ring			
7	19620027	1	Guide Tube			



D_SD21_1_11

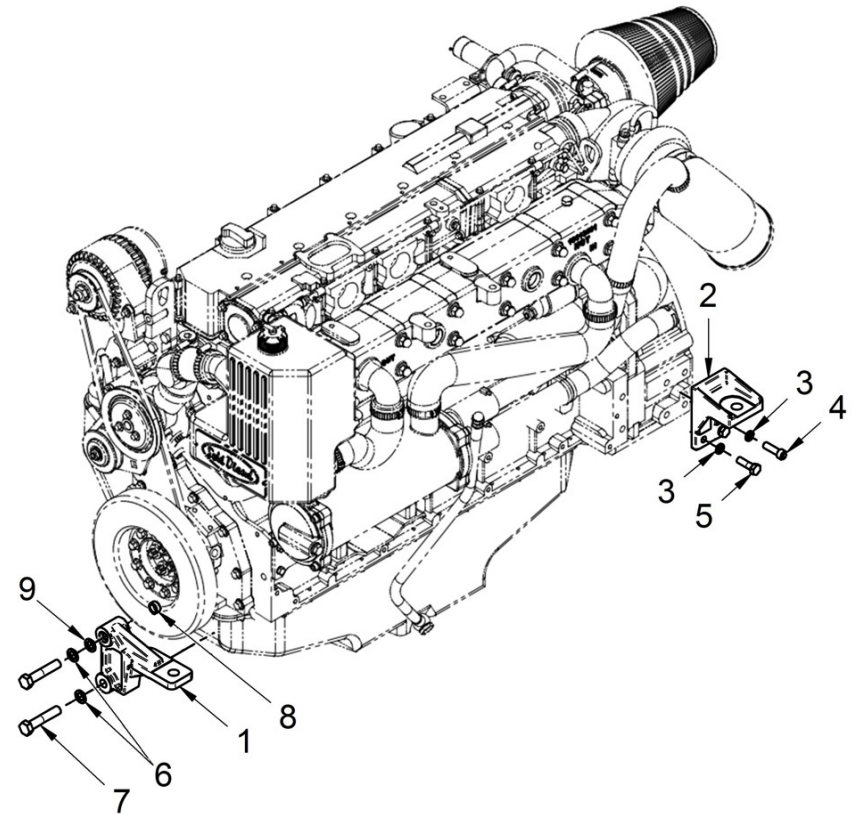
Oil Pan

Fig.	Ref.	Qty.	Descr.	Obs	From	UpTo
1	19520030	1	Oil Pan			
2	19520033	1	Gasket			
3	19420036	34	Screw			
4	56000077	2	Washer 18-23-1,5			
5	16514022	1	Coupling,screw 18x150			
6	16514021	1	ExtraCTION Hose			
7	18014022	1	Bracket,pipe			
8	56000069	1	Washer 14-20-1,5			
9	16514020	1	Plug			



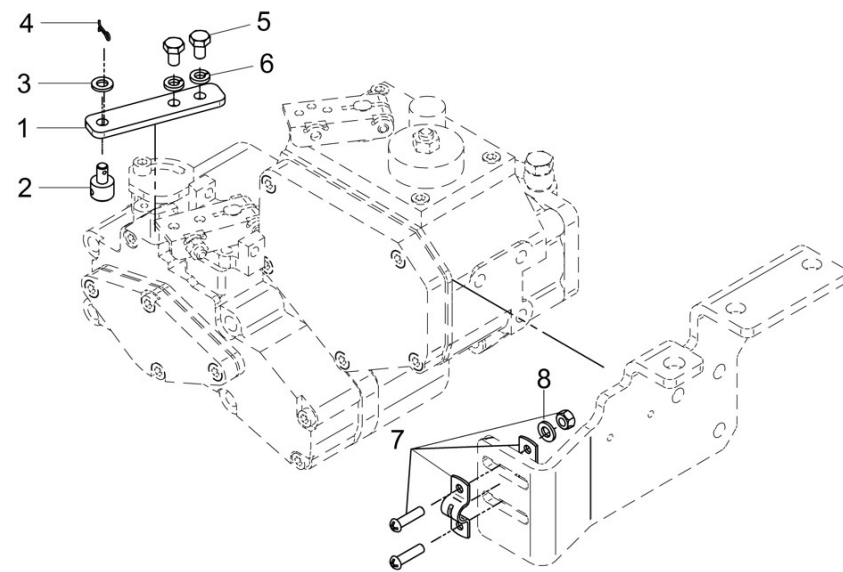
D_SD21_1_12 Engine Brackets

Fig.	Ref.	Qty.	Descr.	Obs	From	UpTo
1	19410001	2	Bracket,Front			
2	19410002	2	Bracket,REAR			
3	53033012	8	Washer Grower DIN 127-12			
4	53103361	4	Bolt DIN 912 M12-40 12.9			
5	53101361	4	Bolt DIN 931 M12-40 12.9			
6	53033016C	4	Washer			
7	53101469	4	Bolt DIN 931 M16-80 12.9			
8	19410004	2	Bushing			
9	51035016	2	Washer DIN 433 M16			

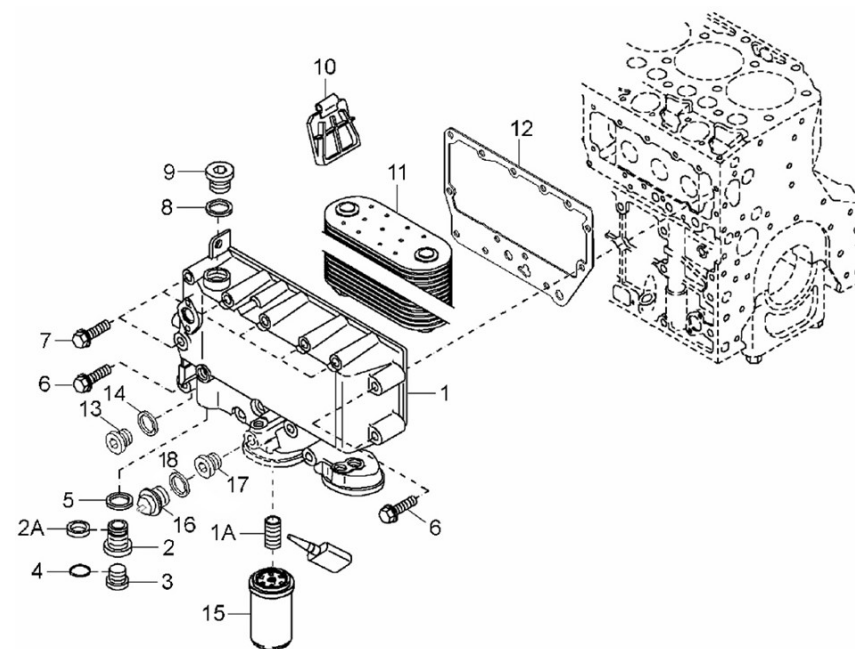


D_SD17_1_13 Bracket, Engine Control

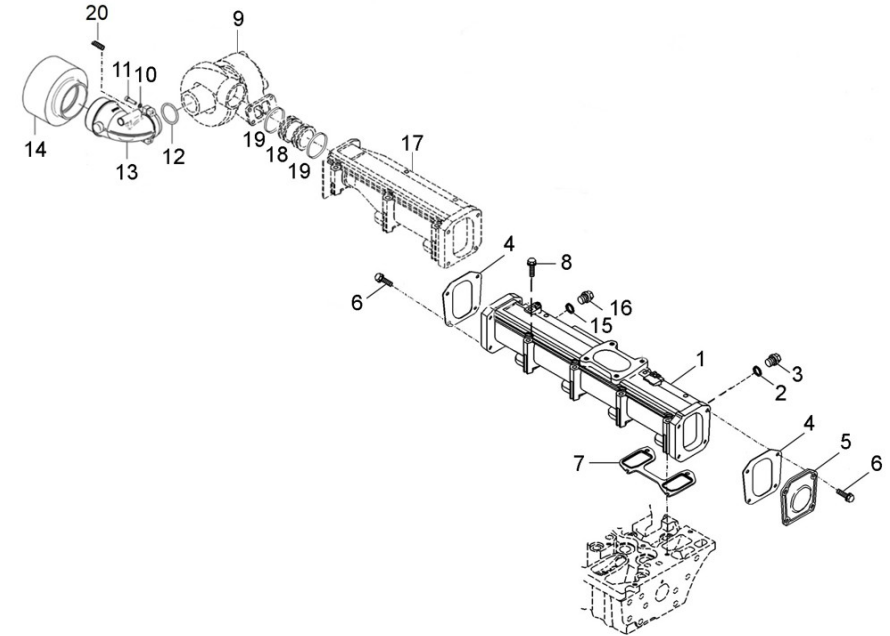
Fig.	Ref.	Qty.	Descr.	Obs	From	UpTo
1	19419002	1	Lever Morse			
2	14719115	1	Coupling,cable			
3	51030006	1	Washer DIN 125-6			
4	51051107	1	Pin DIN-94 1,6-16			
5	52102154	2	Bolt DIN 933 M6-10 8.8			
6	53033006	2	Washer GROWER DIN 127-6			
7	24810913	1	Clamp,CABLE			
8	51031005	2	Washer DIN 9021 5			



D_SD21_1_14		Oil Cooler				
Fig.	Ref.	Qty.	Descr.	Obs	From	UpTo
1	19422110	1	Oil Cooler Box			
1A	19422114	1	Bush			
2	19422111	2	COLLAR Screw			
2A	19422115	2	Sealing Ring			
3	19422112	2	Plug			
4	19422113	2	O-Ring			
5	19422118	2	Sealing Ring			
6	19422120	3	HEXAGON Bolt			
7	19424083.1	10	HEXAGON Bolt			
8	19421019	1	Sealing Ring			
9	19522119	1	Plug			
10	19422116	1	CORE Hole Plug			
11	19522117	1	Oil Cooler			
12	19424084	1	Gasket			
13	19424081	1	Screw Plug			
14	19424082	1	Sealing Ring			
15	19424051	1	Oil Filter Element SDZ 165/205/280			
16	60900985	1	Pressure Sensor			
17	19417001	1	Plug			
18	56000069	1	Washer 14-20-1,5			

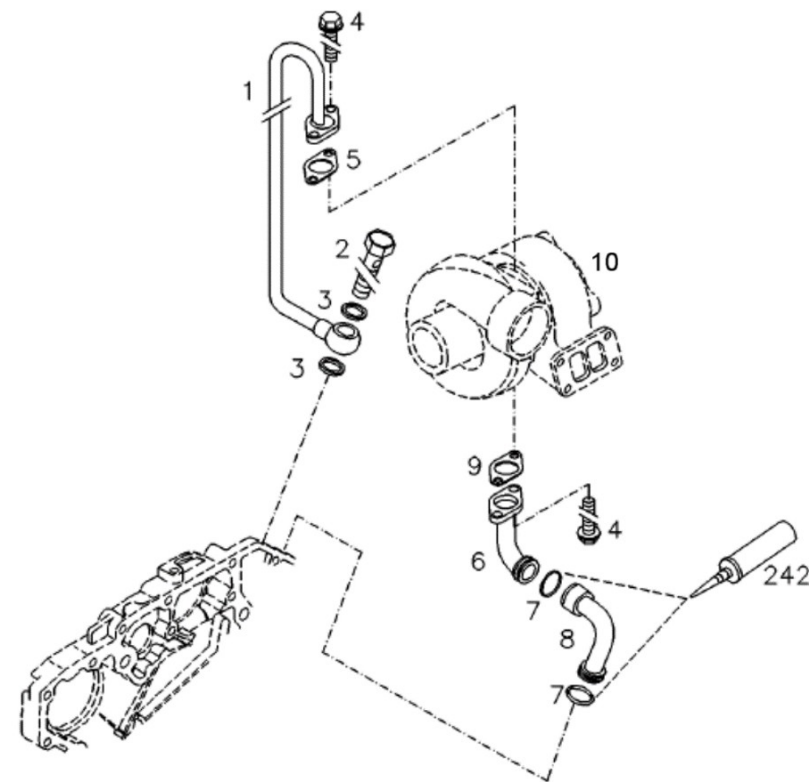


D_SD21_2_1		Inlet				
Fig.	Ref.	Qty.	Descr.	Obs	From	UpTo
1	19521080	1	CHARGE Air Pipe			
2	19421016	1	Sealing Ring			
3	19420063	1	Screw Plug			
4	19421047	2	Gasket			
5	19421045	1	Cover			
6	19420036	4	Screw			
7	19421063	1	Gasket			
8	19421012	12	HEXAGON Bolt			
9	19528012.1	1	Turbocharger, Assy			
10	53038008	6	Washer DIN 6798-A 8			
11	52103259	2	Bolt DIN 912 M8-30 8.8			
12	19510019	1	O-Ring D. 70X4 VITON			
13	19510015	1	Bracket, Air Filter			
14	19410013	1	Air Filter			24/11/2016
14	19410032	1	Air Filter			24/11/2016
15	19424086	1	Screw Plug			
16	19424087	1	Sealing Ring			
17	19521081	1	CHARGE Air Pipe			
18	19521082	1	Racord			
19	19521039	2	O-Ring			
20	52111253	1	ROD DIN 913 M8-8 8.8		04/04/2018	06/06/2022
20	52111255	1	ROD DIN 913 M8-12 8.8		06/06/2022	
NS	19420113	1	Lubricant			



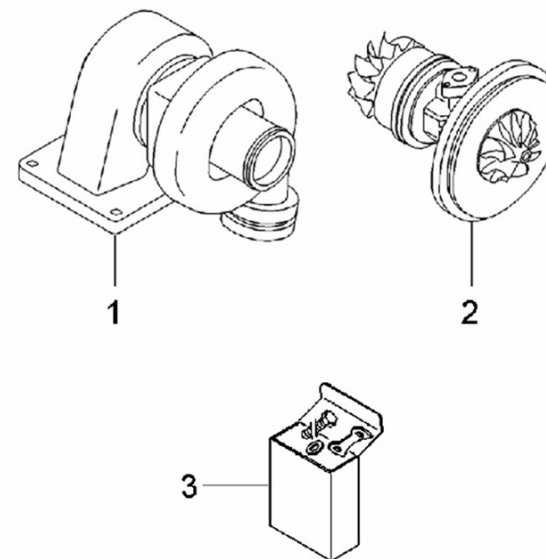
D_SD21_2_2 Turbocharger

Fig.	Ref.	Qty.	Descr.	Obs	From	UpTo
1	19528008	1	Lubricat. Oil Line			
2	19424066	1	Screw			
3	19421016	2	Sealing Ring			
4	19420163	4	Screw			
5	19428041	1	Gasket			
6	19528006	1	Return Line			
7	19428063	2	Sealing Ring			
8	19528007	1	Return Line			
9	19428062	1	Gasket			
10	19528012.1	1	Turbocharger, Assy			



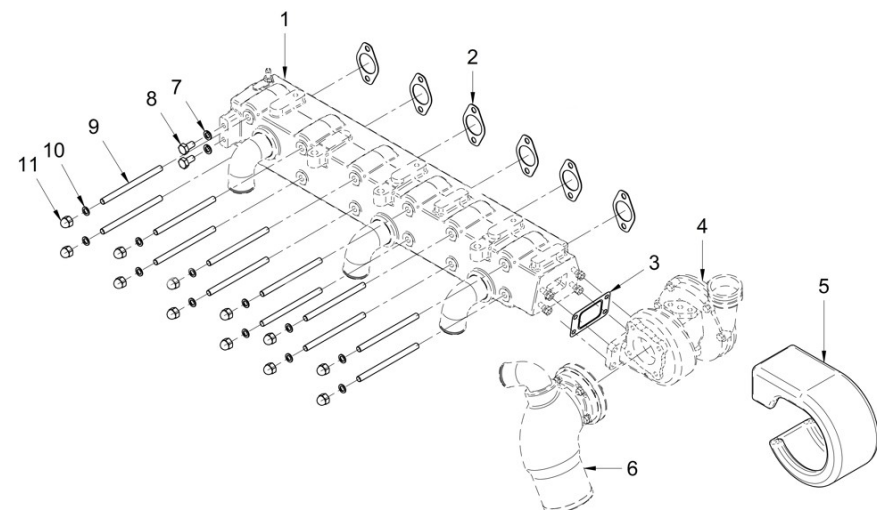
D_SD21_2_3 Spare Parts, Turbocharger

Fig.	Ref.	Qty.	Descr.	Obs	From	UpTo
1	19528012.1	1	Turbocharger, Assy			
2	19528012.1A	1	Core Assembly, Turbo			
3	19528012.1B	1	REPAir Kit, TURBO			



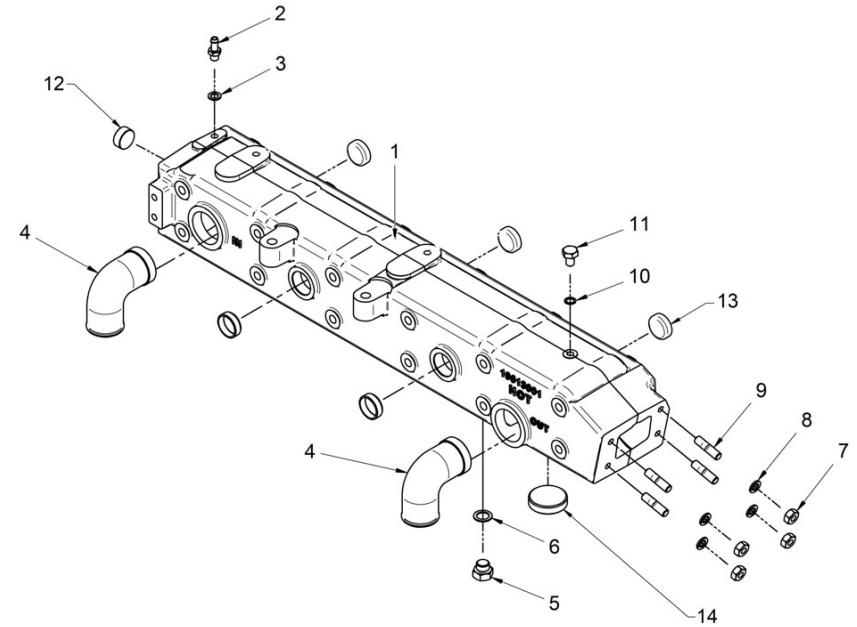
D_SD21_2_4 Exhaust Manifold

Fig.	Ref.	Qty.	Descr.	Obs	From	UpTo
1	19613000	1	Manifold,Assy			
2	19421181.2	6	Gasket			
3	19421183.4	1	Gasket			
4	19528012.1	1	Turbocharger, Assy			
5	19118010	1	Termic,bucklers			
6	19613015	1	Elbow,Wet Exhaust			
7	53033010	2	Washer GROWER DIN 127-10			
8	52102307	2	Bolt DIN 933 M10-20 8.8			
9	19513002	12	Stud			
10	56000061	12	Washer 10-16-1,5			
11	13511013	12	Nut DIN 1587 M10			



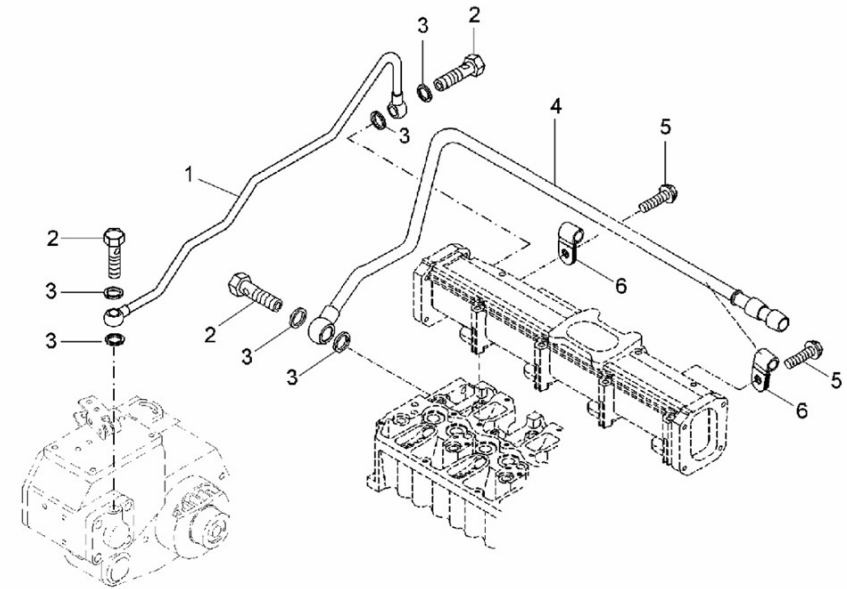
D_SD28_2_6 **Manifold Assy**

Fig.	Ref.	Qty.	Descr.	Obs	From	UpTo
1	19613001	1	Exhaust Manifold			
2	13814072	1	Straight Hose Connector 1/8" NPTF			
3	56000061	1	Washer 10-16-1,5			
4	19111015	2	Elbow 90° 1 1/2"			
5	12111076	1	Plug			
6	56000073	1	Copper Washer 16-23-1,5			
7	52120010	4	Nut DIN 934 M10 8.8			
8	53033010	4	Washer GROWER DIN 127-10			
9	16511007	4	Stud			
10	56000011	1	Washer			
11	52102306	1	Bolt DIN 933 M10-15 8.8			
12	19613012	1	Plug			
13	19411035	5	Plug			
14	19011019	1	Plug			



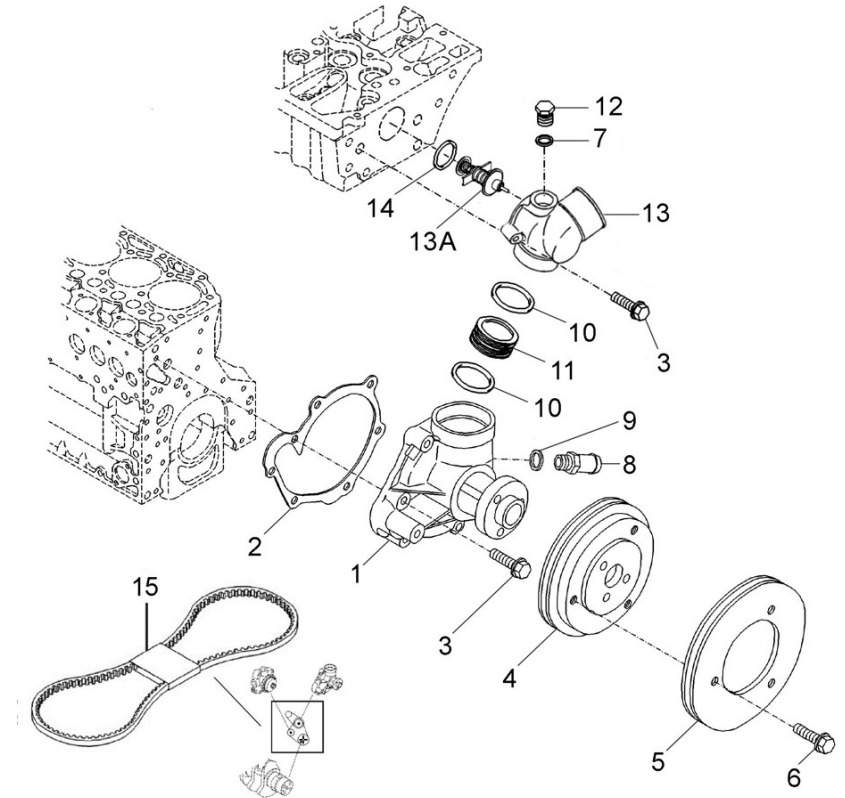
D_SD21_2_5 Breather Line

Fig.	Ref.	Qty.	Descr.	Obs	From	UpTo
1	19421090.1	1	Inlet MANIFOld			
2	19421091.1	3	Screw			
3	19424087	6	SeallNG Ring			
4	19521092	1	Breather Line			
5	19428054	3	Screw			
6	19428055	3	Pipe Clamp			



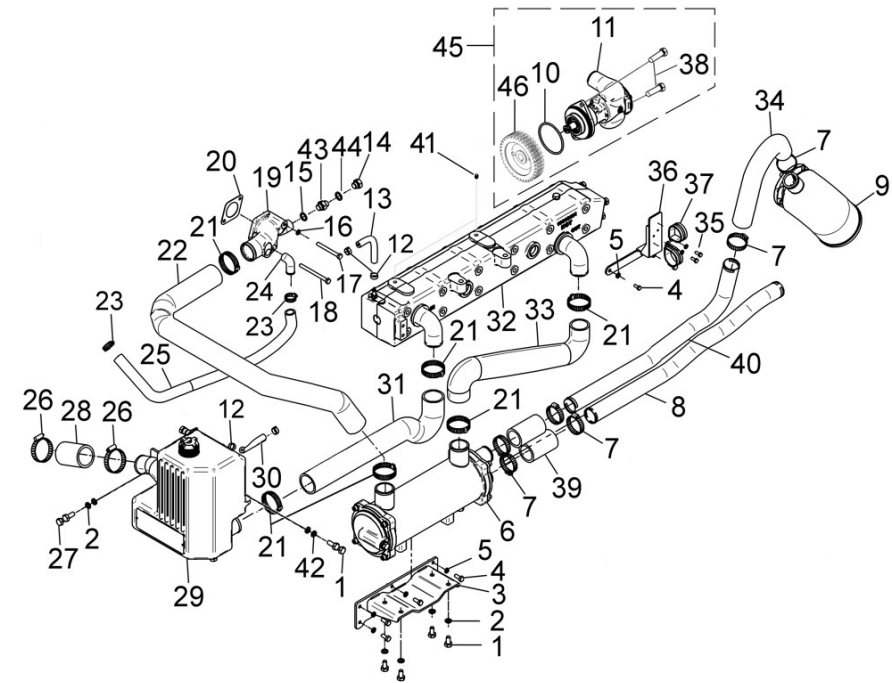
D_SD21_3_1 Water Pump

Fig.	Ref.	Qty.	Descr.	Obs	From	UpTo
1	19521041	1	Fresh Water Pump			
2	19421040	1	Flat Gasket			
3	19520027	9	Screw			
4	19421086	1	Pulley			
5	19421087	1	Pulley			
6	19420163	3	Screw			
7	19424087	1	Sealing Ring			
8	19421089	1	Hose Connector			
9	19424064	1	Sealing Ring			
10	19421044	2	O-Ring			
11	19421042	1	Plug			
12	19420165	1	VENT Plug			
13	19521093	1	Thermostat			
13A	19521029	1	Thermostat			
14	19421041	1	O-Ring			
15	19521028.1	1	Belt Type SPAX 1032			



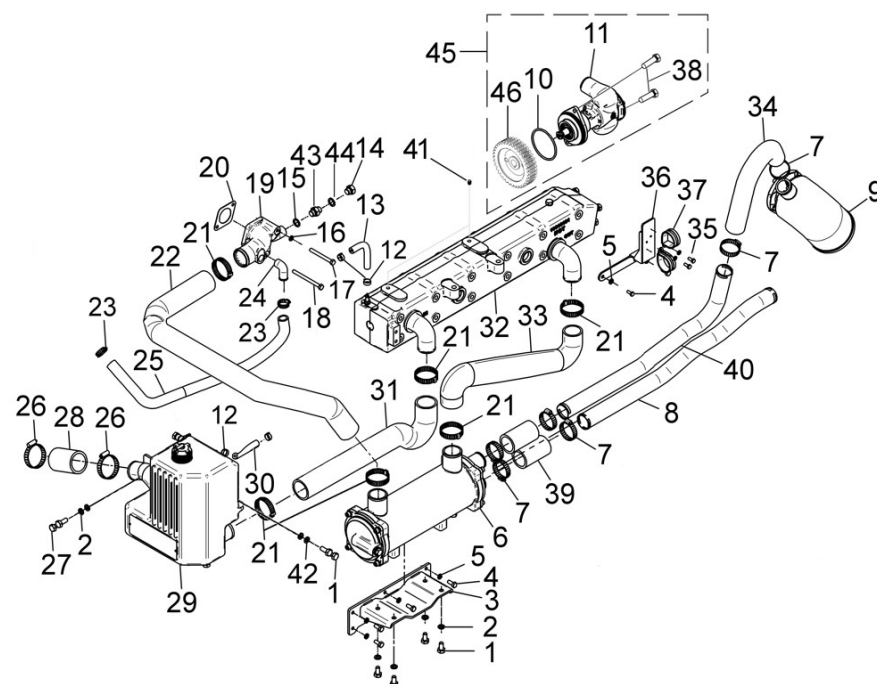
D_SD21_3_2 Cooler Pipes

Fig.	Ref.	Qty.	Descr.	Obs	From	UpTo
1	52102307	6	Bolt DIN 933 M10-20 8.8			
2	53033010	6	Washer GROWER DIN 127-10			
3	19511014	1	Bracket,cooler			
4	52102257	6	Bolt DIN 933 M8-20 8.8			
5	53033008	6	Washer GROWER DIN 127-8			
6	19411000R	1	Water Cooler Assy SDZ-165/205/280			
7	54082032	7	Clamp DIN 3017 32-50/12 W4			
8	19511003	1	Pipe			
9	19613015	1	Elbow,Wet Exhaust			
10	19420221	1	O-Ring D. 82X4 VITON			
11	39411000	1	Key Pump SDZ-165/205/280 Gr-109/165			
12	54081008	4	Clamp DIN 3017 8-16 W4			
13	19411041	1	Purge Hose			
14	12111076	1	Plug			10/01/2022
14	60900988	1	Temperature Sensor			11/01/2022
15	56000073	1	Copper Washer 16-23-1,5			
16	53038008	2	Washer DIN 6798-A 8			
17	52101269	1	Bolt DIN 931 M8-80 8.8			
18	52101273	1	Bolt DIN 931 M8-100 8.8			
19	19411011	1	Cooler Water Inlet BEND			
20	19411010	1	Gasket			
21	54082040	6	Clamp DIN 3017 40-60/12 W4			
22	19511020	1	Hose			
23	54081020	2	Clamp DIN 3017 20-32/9 W4			
24	13211027	1	Water Inlet Bend			
25	M87501927	1	Water Intake Hose (HQ) D. 19-27			
26	54082050	2	Clamp DIN 3017 50-70/12 W4			
27	52102308	2	Bolt DIN 933 M10-25 8.8			
28	19411043	1	Pipe 48-60-85			
29	19411009	1	Expansion Tank			
30	19411042	1	Hose			



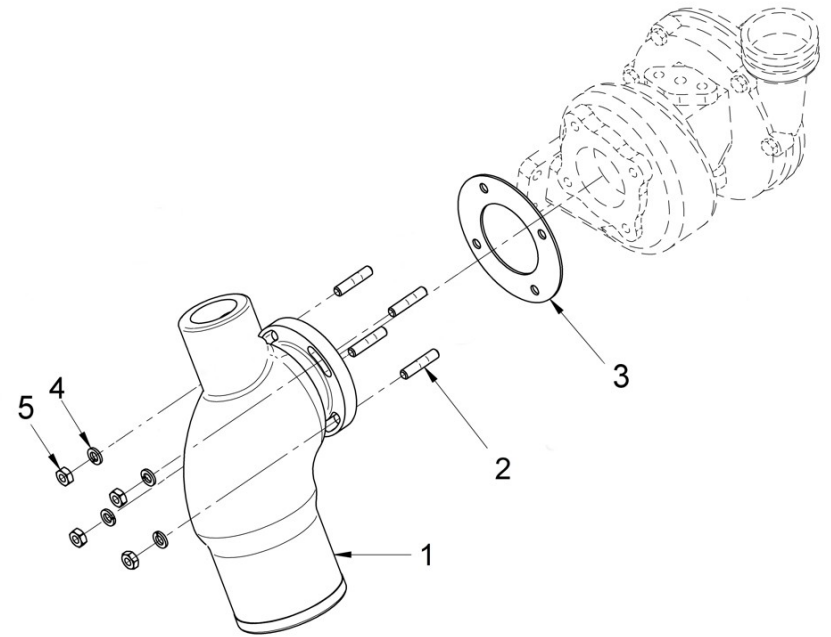
D_SD21_3_2 Cooler Pipes

Fig.	Ref.	Qty.	Descr.	Obs	From	UpTo
31	19411019	1	Hose			
32	19613000	1	Manifold,Assy			
33	19511021	1	Hose			
34	19511006	1	Rubber Pipe			
35A	52102156	2	Bolt DIN 933 M6-16 8.8			
35B	51030006	2	Washer DIN 125-6			
36	19511004	1	Bracket			
37	59071452	2	Clamp 1 42/15 W1			
38A	52101266	2	Bolt DIN 931 M8-65 8.8			
38B	51030008	2	Washer DIN 125-8			
39	19411045	2	Pipe 42-54-90			
40	19511005	1	Pipe			
41	52114304	2	Bolt DIN 916 M10-10 UMBR		20/11/2017	
42	53038010	2	Washer DIN 6798-A 10			
43	19417052	1	Sensor Adapter M14x1,5 a 5/8		11/01/2022	
44	56000069	1	Washer 14-20-1,5		11/01/2022	
45	39411000A19	1	Key Pump SDZ-165/205/280 GR-109/165, KIT			
46	19421124	1	Toothed Gear			



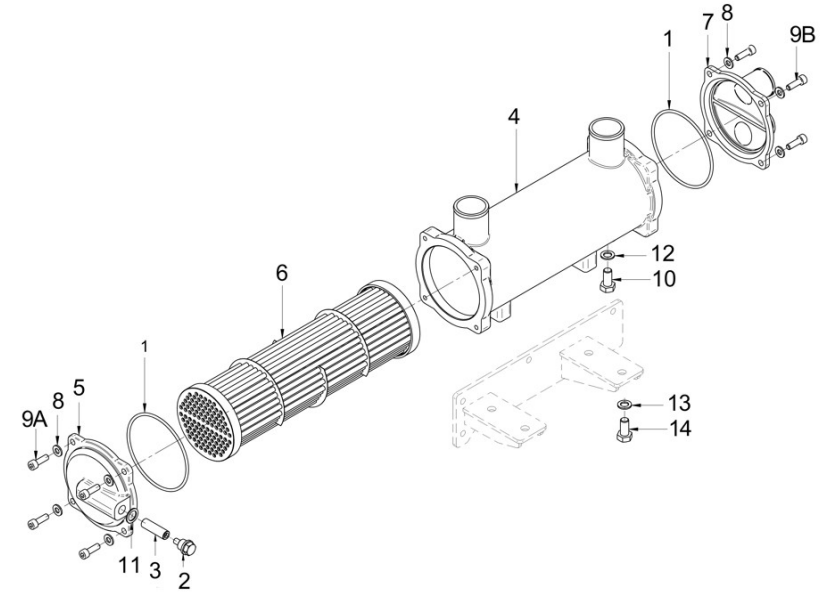
D_SD21_3_3 Wet Exhaust

Fig.	Ref.	Qty.	Descr.	Obs	From	UpTo
1	19613015	1	Elbow,Wet Exhaust			
2	19613016	4	Turbo Stud M8-M10			
3	19613013	1	Gasket			
4	53033010	4	Washer GROWER DIN 127-10			23/05/2017
5	51125008	4	Nut Exhaust			



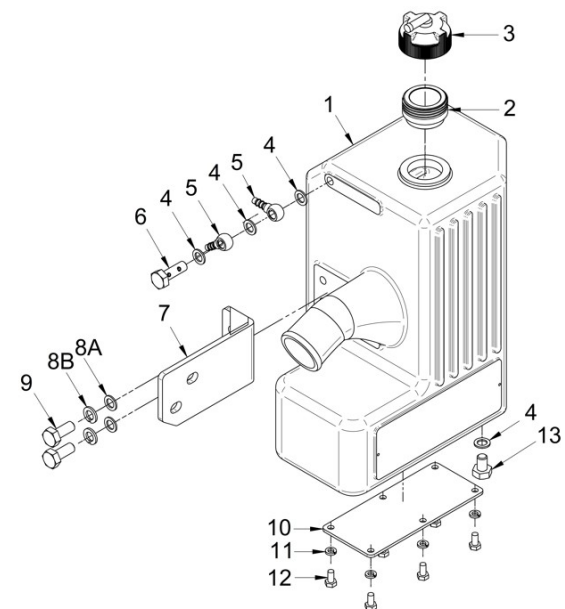
D_19411000R Water Cooler Assy SDZ-165/205/280

Fig.	Ref.	Qty.	Descr.	Obs	From	UpTo
1	16711007	2	O-Ring D. 116X4			
2	18011009	1	Anode Plug			
3	18011031	1	Engine Anode 45 mm M.8			
4	19411001	1	Body, Water Cooler			
5	19411003	1	Water Cooler Cover			
6	19411004	1	Tubular Bundle			
7	19411006	1	Water Cooler Cover			
8	51030008	8	Washer DIN 125-8			
9A	52103257	7	Bolt DIN 912 M8-20 8.8			
9B	52103258	1	Bolt DIN 912 M8-25 8.8			
10	54102356	1	Bolt DIN 933 M12-16 INOX.			
11	56000073	1	Copper Washer 16-23-1,5			
12	56000115	1	Washer 12-20-2			
13	53033010	4	Washer GROWER DIN 127-10			
14	52102307	4	Bolt DIN 933 M10-20 8.8			



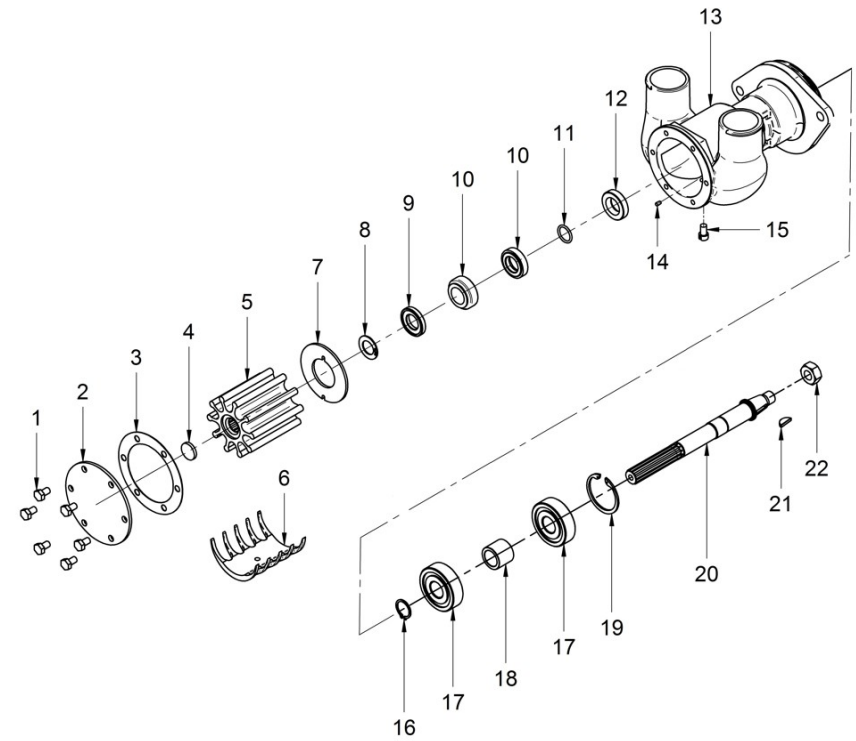
19411009 Expansion Tank

Fig.	Ref.	Qty.	Descr.	Obs	From	UpTo
1	19411009.1	1	Expansion Tank, Body			
2	17411004	1	Adapter, MTA Cap			
3	13811010	1	Cap			
4	56000061	4	Washer 10-16-1,5			
5	17614016	2	COLLAR,Union			
6	19411040	1	1/8" GAS HOLLOW Screw			
7	19411009.2	1	Bracket			
8A	51030010	2	Washer DIN 125-10			
8B	53033010	2	Washer GROWER DIN 127-10			
9	52102307	2	Bolt DIN 933 M10-20 8.8			
10	18211002	1	Cover			
11	53033006	6	Washer GROWER DIN 127-6			
12	52102155	6	Bolt DIN 933 M6-12 8.8			
13	52102306	1	Bolt DIN 933 M10-15 8.8			

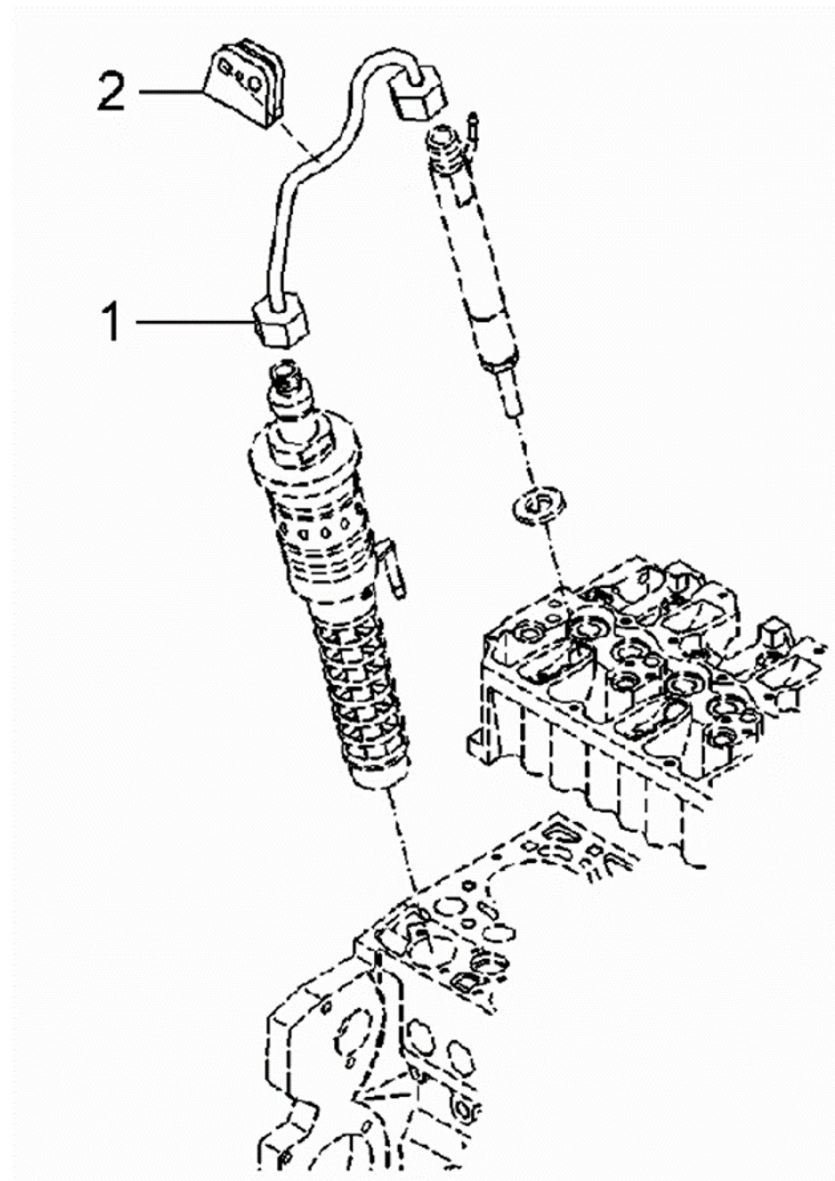


39411000 Key Pump SDZ-165/205/280 Gr-109/165

Fig.	Ref.	Qty.	Descr.	Obs	From	UpTo
1	54102154	6	Bolt DIN 933 M6-10 INOX			
2	34711002	1	Cover Pump			
3	34711003	1	Gasket Cover			
4	34711041	1	Impeller Plug			
5	39411008	1	1" L.68 Impeller			
6	39411005	1	Cam			
7	34711026	1	Plate,Friction			
8	54040016	1	CIRClip E-16			
9	36511018	1	Washer,seal			
10	36511019	1	Seal			
11	33311013	1	O-Ring D. 15X2			
12	36511020	1	Seal 16-30-7			
13	39411001	1	Body,Water Pump			
14	36511017	1	Pin,Dowel			
15	54108154	1	Bolt DIN 84 M6-10			
16	53040017	1	Circlip DIN 471 E-17			
17	18017083	2	Ball Bearing 6303-RDD			
18	39411015	1	Separator Bearings			
19	53041047	1	CIRClip DIN 472 I-47			
20	39411010	1	Shaft			
21	35111035	1	KEY DIN 6888 3-6,5-16 INOX			
22	54121012	1	Nut DIN 439 M12			

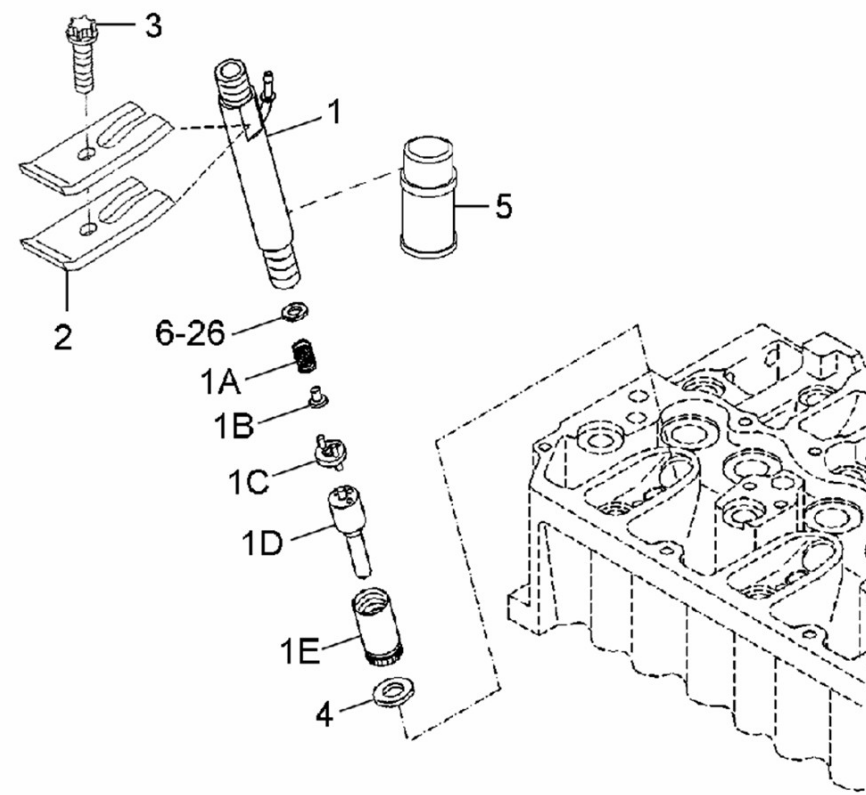


D_SD21_4_1		Fuel Pipe				
Fig.	Ref.	Qty.	Descr.	Obs	From	UpTo
1	19424052	6	Pipe Injection			
2	19421018	6	Rubber Seal			



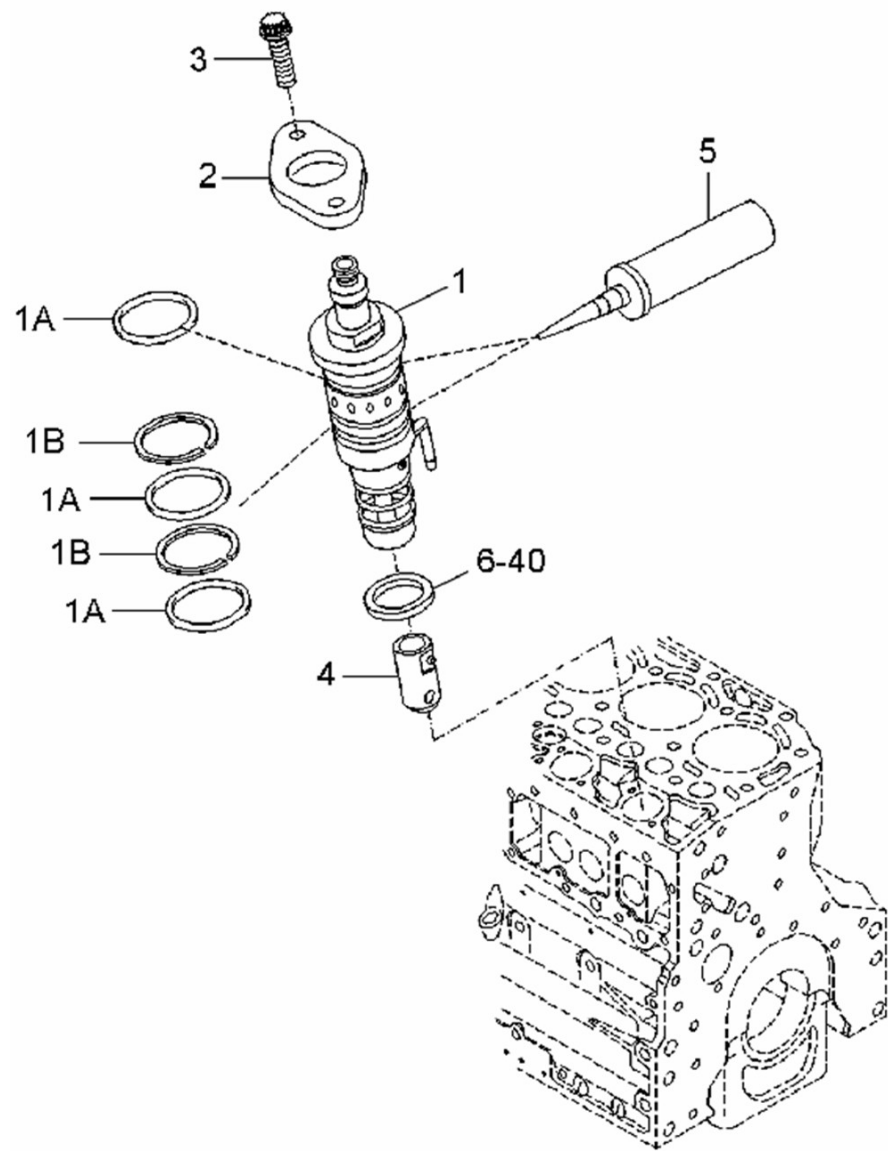
D_SD21_4_2 Injection Nozzle

Fig.	Ref.	Qty.	Descr.	Obs	From	UpTo
1	19526001	6	Fuel Injector			
1A	19426004.1	6	COMPRESSION Spring			
1B	19426003.1	6	THRUST Bolt			
1C	19426008.1	6	Spacer			
1D	19526018	6	Nozzle Element			
1E	19426006.1	6	ClampING Nut			
2	19426010	12	Flange			
3	19426011	6	Bolt			
4	19426012	6	SeallNG Ring			
5	19426013	6	ANTI-RUST AGENT			
6	19426010.1	0	Washer 1,00	#		
7	19426019.1	0	Washer 1,06	#		
8	19426020.1	0	Washer 1,10	#		
9	19426021.1	0	Washer 1,15	#		
10	19426022.1	0	Washer 1,20	#		
11	19426023.1	0	Washer 1,25	#		
12	19426024.1	0	Washer 1,30	#		
13	19426025.1	0	Washer 1,35	#		
14	19426026.1	0	Washer 1,40	#		
15	19426027.1	0	Washer 1,45	#		
16	19426028.1	0	Washer 1,50	#		
17	19426029.1	0	Washer 1,55	#		
18	19426030.1	0	Washer 1,60	#		
19	19426031.1	0	Washer 1,65	#		
20	19426032.1	0	Washer 1,70	#		
21	19426033.1	0	Washer 1,75	#		
22	19426034.1	0	Washer 1,80	#		
23	19426035.1	0	Washer 1,85	#		
24	19426036.1	0	Washer 1,90	#		
25	19426037.1	0	Washer 1,95	#		
26	19426038.1	0	Washer 2,00	#		



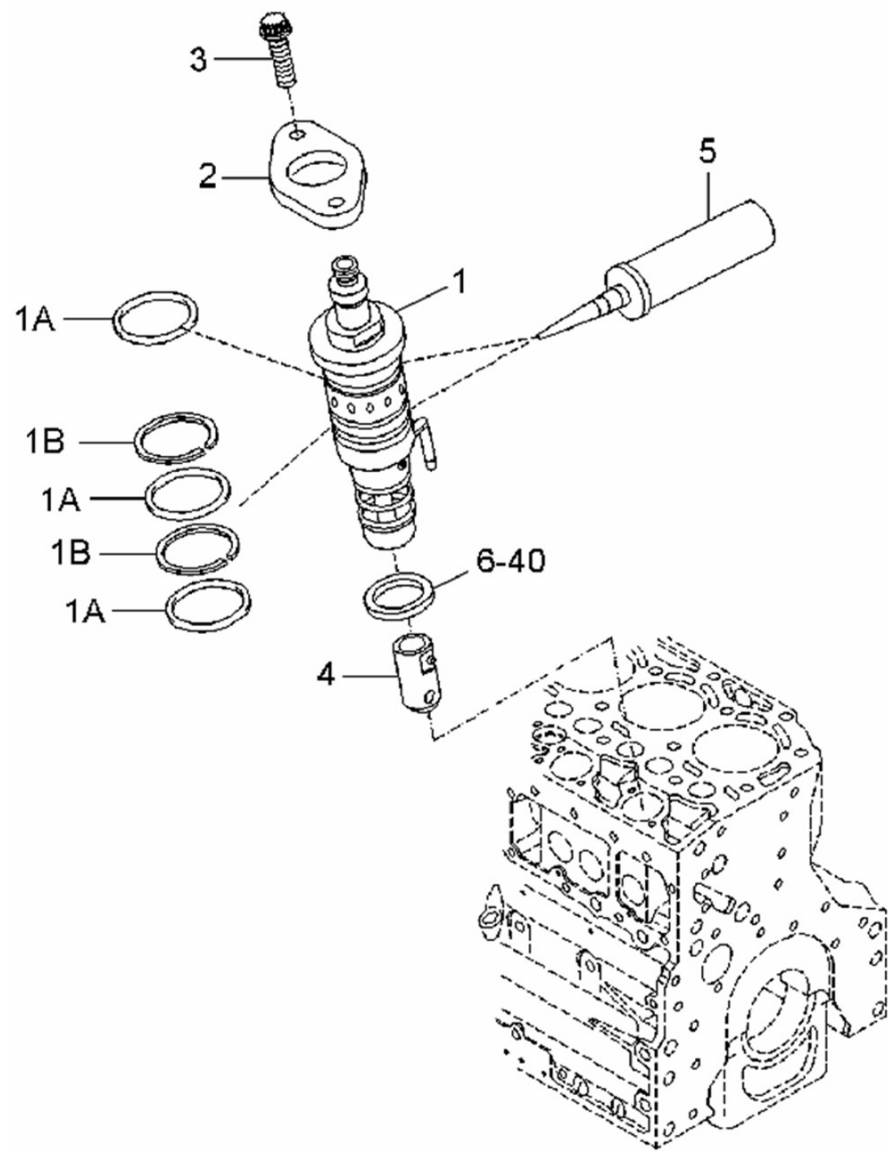
D_SD21_4_3 Fuel Injection Pump

Fig.	Ref.	Qty.	Descr.	Obs	From	UpTo
1	19425001G	6	Pump Assy,Fuel Injection			
1A	19425002	18	O-Ring D. 40X3,5			
1B	19425003	12	Shim			
2	19420110	6	Flange			
3	19420111	12	COLLAR Screw			
4	19420090	6	Roller Tappet			
5	19420113	6	Lubricant			
6	19420112	0	Washer 1,0mm	#		
7	19420114	0	Washer 1,1mm	#		
8	19420115	0	Washer 1,2mm	#		
9	19420116	0	Washer 1,3mm	#		
10	19420117	0	Washer 1,4mm	#		
11	19420118	0	Washer 1,5mm	#		
12	19420119	0	Washer 1,6mm	#		
13	19420120	0	Washer 1,7mm	#		
14	19420121	0	Washer 1,8mm	#		
15	19420122	0	Washer 1,9mm	#		
16	19420123	0	Washer 2,0mm	#		
17	19420124	0	Washer 2,1mm	#		
18	19420125	0	Washer 2,2mm	#		
19	19420126	0	Washer 2,3mm	#		
20	19420127	0	Washer 2,4mm	#		
21	19420128	0	Washer 2,5mm	#		
22	19420129	0	Washer 2,6mm	#		
23	19420130	0	Washer 2,7mm	#		
24	19420131	0	Washer 2,8mm	#		
25	19420132	0	Washer 2,9mm	#		
26	19420133	0	Washer 3,0mm	#		
27	19420134	0	Washer 3,1mm	#		
28	19420135	0	Washer 3,2mm	#		
29	19420136	0	Washer 3,3mm	#		



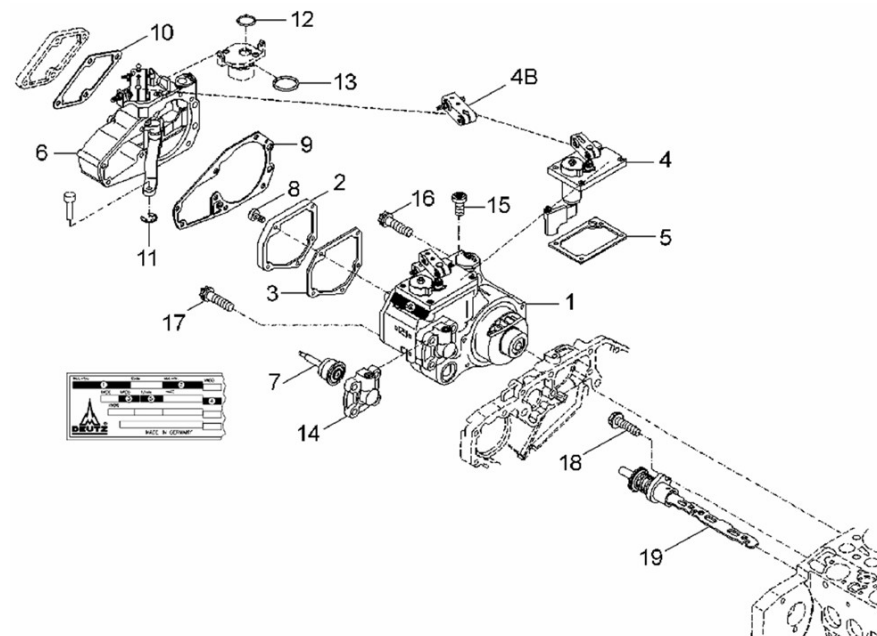
D_SD21_4_3 Fuel Injection Pump

Fig.	Ref.	Qty.	Descr.	Obs	From	UpTo
30	19420137	0	Washer 3,4mm	#		
31	19420138	0	Washer 3,5mm	#		
32	19420139	0	Washer 3,6mm	#		
33	19420140	0	Washer 3,7mm	#		
34	19420141	0	Washer 3,8mm	#		
35	19420142	0	Washer 3,9mm	#		
36	19420143	0	Washer 4,0mm	#		
37	19420144	0	Washer 4,1mm	#		
38	19420145	0	Washer 4,2mm	#		
39	19420146	0	Washer 4,3mm	#		
40	19420147	0	Washer 4,4mm	#		



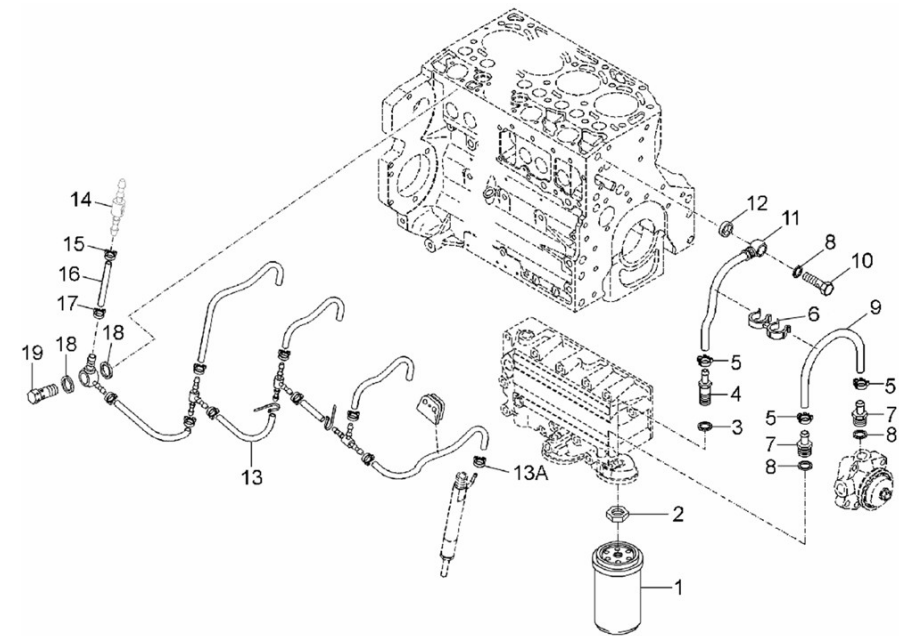
D_SD21_4_4 Governor Parts

Fig.	Ref.	Qty.	Descr.	Obs	From	UpTo
1	19523000.1	1	Controller			
2	19423001	1	HOOD			
3	19423002	1	Gasket			
4	19523003	1	Governor Cover			
4B	19423006	2	Lever/ARM			
5	19423004	1	Gasket			
6	19423005	1	Cover			
7	19423007	1	DIAPHRAGM			
8	19423008	1	RETAINING Washer			
9	19423009	1	Gasket			
10	19423010	1	Gasket			
11	19423011	1	RETAINING Washer			
12	19423012	1	Ring			
13	19423014	1	Ring			
14	19423015	1	Cover			
15	19423017	1	LOCKING Screw			
16	19421082	4	Bolt			
17	19421083	1	Bolt			
18	19423026	1	HEXAGON Bolt			
19	19523025.1	1	Control Rod			
NS	19523000.1B	1	Controller			
NS	19523000.1R	1	Exchang.Controlle			



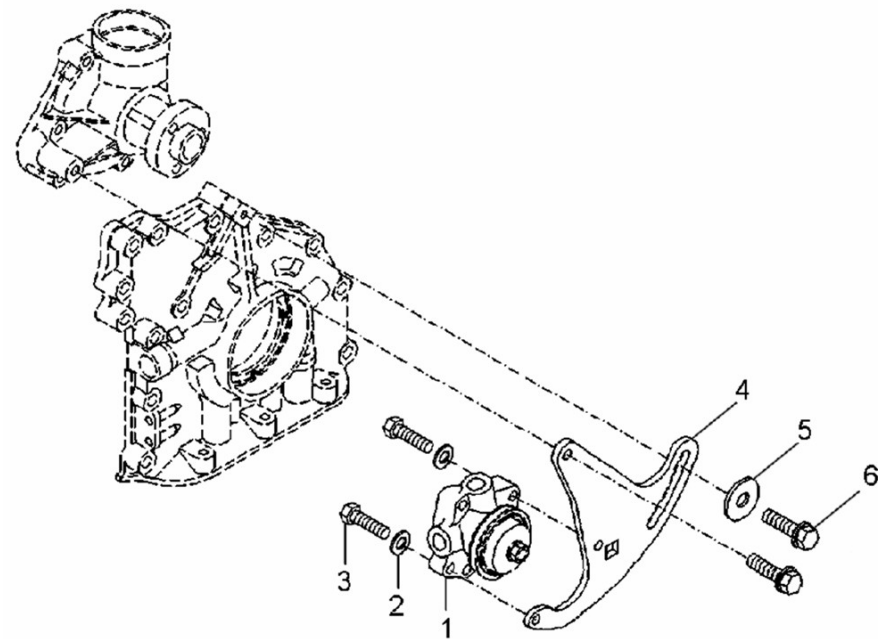
D_SD21_4_5 Fuel Filter

Fig.	Ref.	Qty.	Descr.	Obs	From	UpTo
1	19424022	1	Fuel Filter Element SDZ-165/205/280			
2	19424065	1	HEXAGON Nut			
3	19424064	1	Sealing Ring			
4	19424057.1	1	Hose Sleeve			
5	19424058.1	3	Clamp			
6	19424059.1	1	Hose Retanier			
7	19424049.1	2	Nipple			
8	19421016	3	Sealing Ring			
9	19424061.1	1	Fuel Pipe			
10	19424063	1	Screw			
11	19424060.1	1	Pipe,fuel			
12	19424062	1	Sealing Ring			
13	19524071.1	1	OverFLOW LINE			
13A	19424031.1	6	Pipe Clamp			
14	19424001	1	Valve Assy			
15	51086018	1	ONE EAR Clamp With INTERIOR Ring 16-18,3			
16	19414003.1	1	Rubber Pipe			
17	51086017	1	ONE EAR Clamp With INTERIOR Ring 15-17,3			
18	19420064	2	Sealing Ring			
19	19424053	1	Valve Assy			
NS	19424067.1	1	Corrugated Tube			



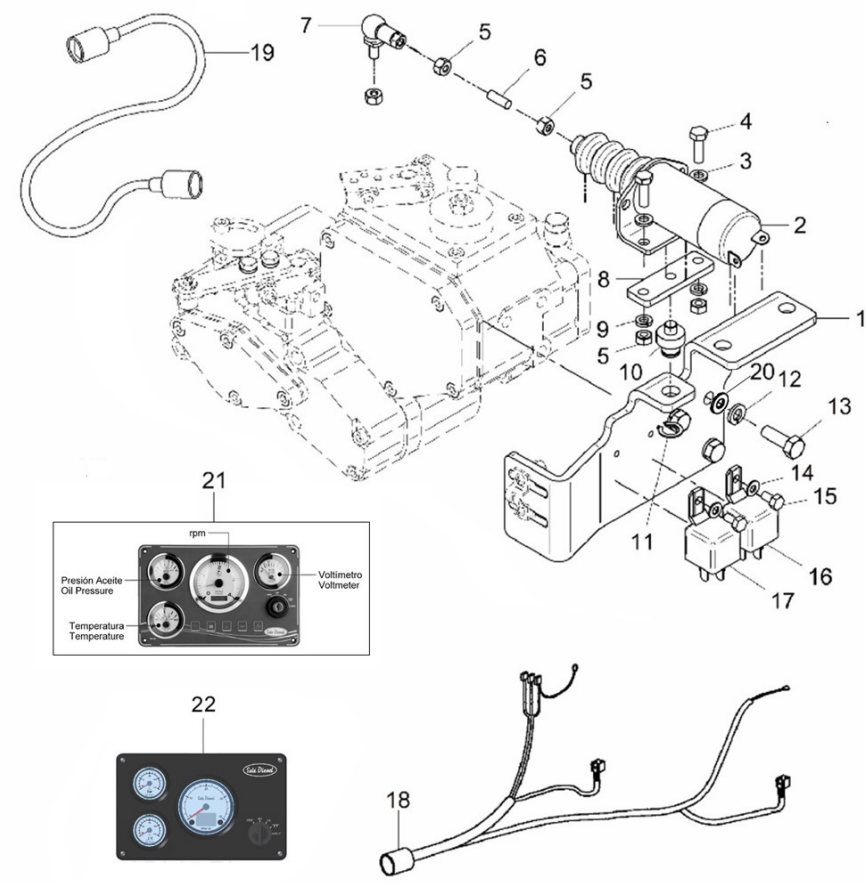
D_SD21_4_6 Feed Pump

Fig.	Ref.	Qty.	Descr.	Obs	From	UpTo
1	19424040.3	1	Fuel Pump			
2	19424043	2	Spring Washer			
3	19424042	2	Screw			
4	19424041.1	1	Clamping Strap			
5	19424047.1	1	Plain Washer			
6	19524046	2	Hexagon Bolt			



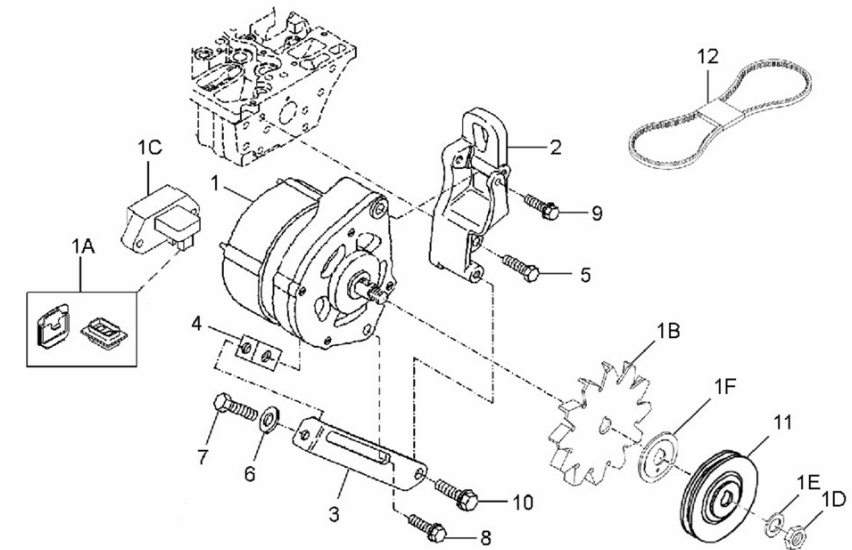
D_SD21_5_3 24V Electrical Wiring

Fig.	Ref.	Qty.	Descr.	Obs	From	UpTo
1	19419001	1	Bracket,Engine Control			
2	19424025	1	Solenoid 24V ETS			
3	51030006	2	Washer DIN 125-6			
4	52102157	2	Bolt DIN 933 M6-20 8.8			
5	52120006	4	Nut DIN 934 M6 8.8			
6	52111163	1	ROD DIN 913 M6-50 8.8			
7	19419003.1	1	Mechanical Bearing		17/07/2015	
8	19419005	1	Bracket			
9	53033006	2	Washer GROWER DIN 127-6			
10	19419006	1	Shaft			
11	53040012	1	CIRClip DIN 471 E-12			
12	53033008	3	Washer GROWER DIN 127-8			
13	52102257	3	Bolt DIN 933 M8-20 8.8			
14	51030005	2	Washer DIN 125-5			
15	52102104	2	Bolt DIN 933 M5-10 8.8			
16	17417005.1	1	Relay 24V 24-22A			
17	19017005	1	Relay 24V 24/22A			
18	60996202	1	Wiring Electrical SD205/280 SVT			11/01/2022
18	60996206	1	Wiring Electrical SDZ-205/280		12/01/2022	
19	60985210	1	Engine Wiring Ext. 4 M.			
20	51030008	3	Washer DIN 125-8			
21	60994130R	1	SVT 30 SDZ-165/205/280 Panel (Repl.)			04/03/2024
22A	63994322NS	1	Panel SSG 30 SDZ-165/205/280 ETS 24V Remote Black		04/03/2024	
22B	63994322BS	1	Panel SSG 30 SDZ-165/205/280 ETS 24V Remote White		04/03/2024	



D_SD21_5_1 Kit Alternator 24V/55A

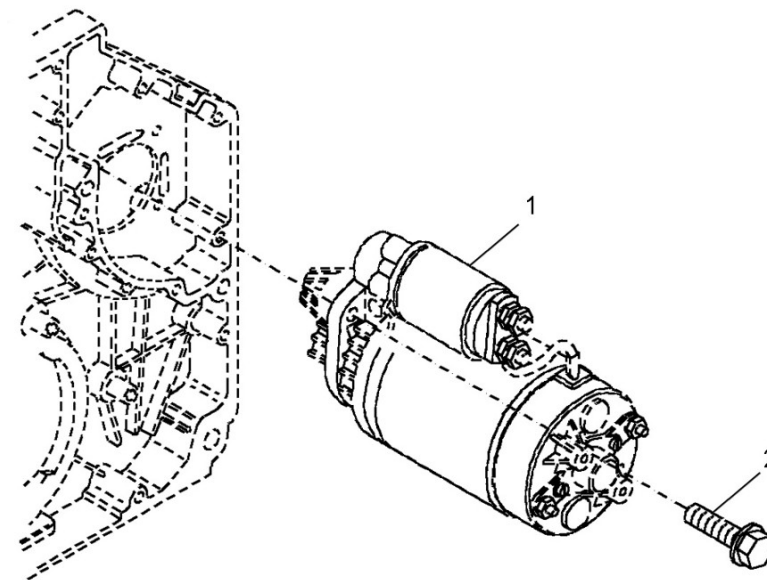
Fig.	Ref.	Qty.	Descr.	Obs	From	UpTo
1	19527010	1	Alternator 28V/55A			
1A	19427012.1	1	Seal Gasket			
1B	19427015.1	1	Fan			
1C	19427016G.1	1	VOLTAGE REGULATOR			
1D	19424065	1	HEXAGON Nut			
1E	19427017.1	1	Washer			
1F	19427018.1	1	Fastenings			
2	19427002G	1	Bracket			
3	19427007G	1	Clamping Strap			
3	19427011.1	1	Brace,alternator			
4	19427008G	1	Threaded Piece			
5	19427005.1	4	HEXAGON Bolt			
6	19428007	1	Plain Washer			
7	19427013	1	HEXAGON Bolt			
8	19427005	1	HEXAGON Bolt			
9	19422053	1	HEXAGON Bolt			
10	19424006	1	HEXAGON Bolt			
11	19427052G.1	1	Alternator V-GROOVED Pulley			
12	19527025.1	1	Belt Type SPZX 837			



D_SD21_5_2

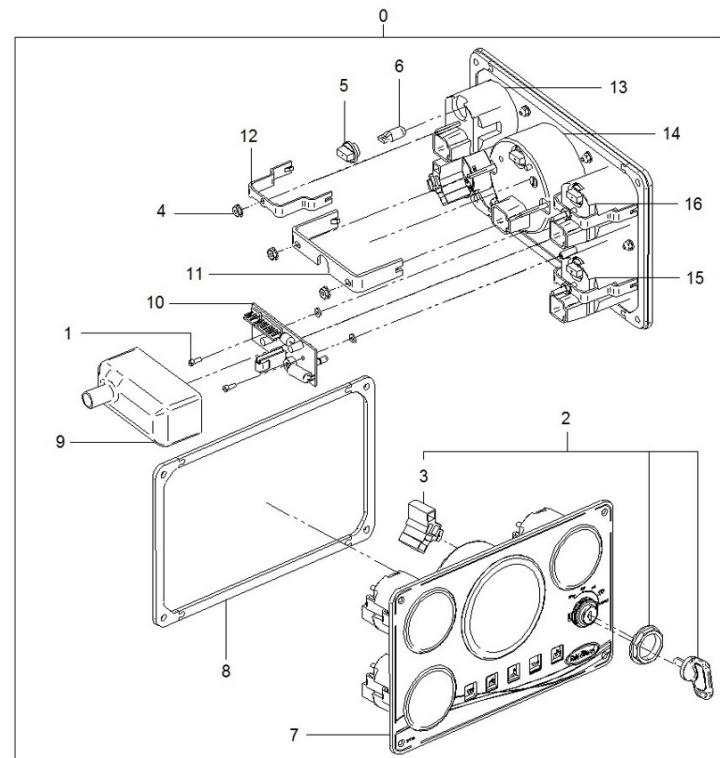
Starter

Fig.	Ref.	Qty.	Descr.	Obs	From	UpTo
1	19427029	1	Starter 24 V			
2	19427020.1	3	Bolt			



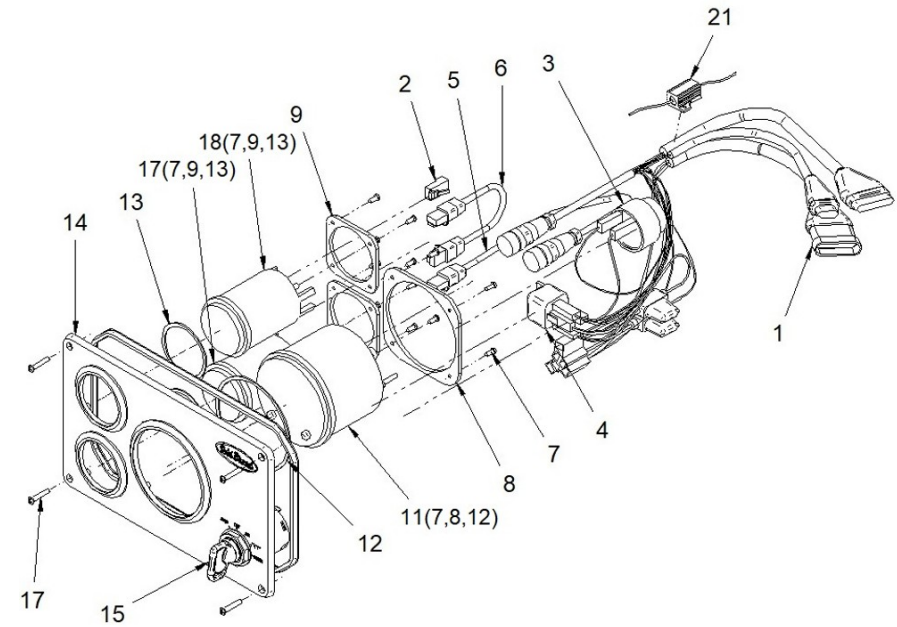
D_60994130 SVT 30 SDZ-165/205/280 Panel

Fig.	Ref.	Qty.	Descr.	Obs	From	UpTo
0	60994130R	1	SVT 30 SDZ-165/205/280 Panel (Repl.)			
1	54108003	2	Bolt DIN 84 M3-8 INOX.			
2	60900037	1	Key-Locking			
3	60900037.2	1	Connector			
4	60900910.2	5	Fixing Nut Gauge+Terminal			
5	60900931	4	SOCKET,WEDGE BASE			
6	60900930	4	Bulb GE400 WEDGE BASE 24V			
7	60990005.1	1	Panel N.3			
8	60990006.1	1	Gasket Panel			
9	60900096	1	Cover Plate for Motor Propeller			
10	60900302.3	1	Integrated Circuit Plate 24V v3			
11	60900910.1	1	Revolution Counter Fixing Bracket			
12	60900915.2	3	Gauge Fixing Bracket			
13	60900942	1	Voltmeter VT 24V			
14	60994912	1	Revol. Counter VT 24V SDZ-165/205			
15	60900938	1	Thermometer VT 24V			
16	60900940	1	Pressure Gauge VT 24V			
NS	60900059	2	Cover			
NS	60900065	4	Connector			
NS	60900065.1	4	Terminal Fixing			
NS	60900066	16	Terminal Female			
NS	60900092	1	MICRO Relay 24V 24-10			
NS	60900933	2	VOLTAGE REDUCER 7W			
NS	60900934	1	VOLTAGE REDUCER 5W 130 ohm SVT			
NS	60910015	1	System Back Panel			



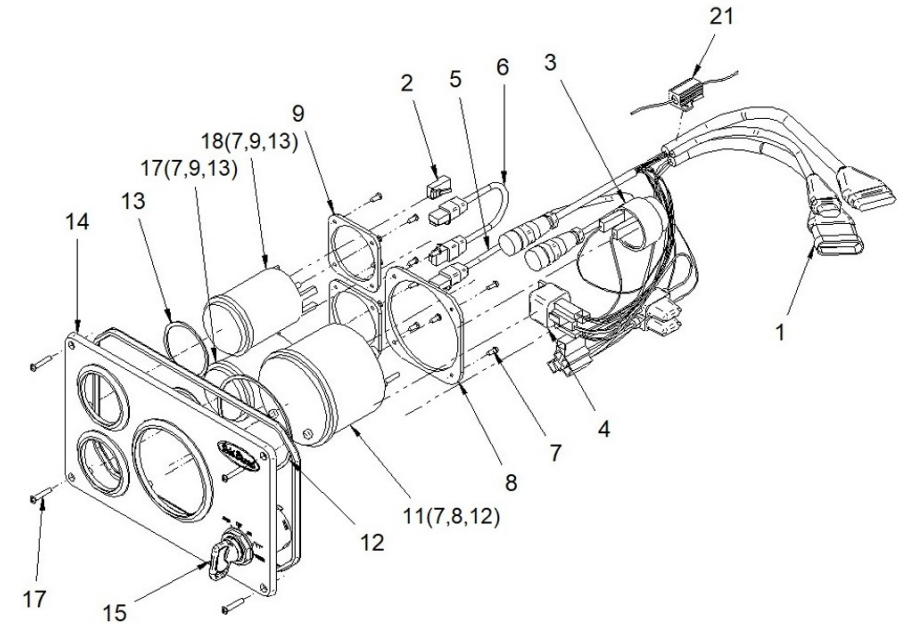
D_1633 Panel SSG 30 Spare Parts

Fig.	Ref.	Qty.	Descr.	Obs	From	UpTo
1	63900032	1	Electrical Installation Panel SSG Master			
2	63900026	1	CAN RJ45 Bus End Resistor			
2	63900037	1	CAN RJ45 Bus End Resistor CAN M12-5pin NMEA2000			
3	60900060	1	Alarm, Buzzer			
4A	63900028	1	Relay 12V 20/30A NO+NC			
Figure A for 12V System						
4B	63900029	1	Relay 24V 10/20A NO+NC			
Figure b for 24V System						
5	63900025	1	M12-5 Pin To Connector RJ45 0.2m SG			
6	63900027	1	Ethernet Cable RJ45 0.2m			
7	5191B003	12	Bolt CL81Z 3.1X8			
8	63900007	1	SG D.85 Tachometer Bracket			
8	63900008	2	SG D.52 Watch Support			
11A	63938001BSR	1	Revolution Counter SG Solé MINI-17/29 White			
11B	63938001BNR	1	Revolution Counter SG Solé MINI-17/29 Black			
11C	63972001BSR	1	Revolution Counter SG Solé MINI-33/44/55 White			
11D	63972001BNR	1	Revolution Counter SG Solé MINI-33/44/55 Black			
11E	639A0001BSR	1	Revolution Counter SG Solé SK-60 White			
11F	639A0001BNR	1	Revolution Counter SG Solé SK-60 Black			
11G	63971001BSR	1	Revolution Counter SG Solé MINI-62 White			
11H	63971001BNR	1	Revolution Counter SG Solé MINI-62 Black			
11I	63974001BSR	1	Revolution Counter SG Solé MINI-74/SM-105/103 White			
11J	63974001BNR	1	Revolution Counter SG Solé MINI-74/SM-105/103 Black			
11K	63978001BSR	1	Revolution Counter SG Solé SM-82/94 White			
11L	63978001BNR	1	Revolution Counter SG Solé SM-82/94 Black			
11M	63994001BSR	1	Revolution Counter SG Solé SDZ-165/205/280 White			
11N	63994001BNR	1	Revolution Counter SG Solé SDZ-165/205/280 Black			
12	63900009	1	Silicone Tachometer Gasket SG 94x84x1 Frontal			
13	63900010	2	Silicone Watch Gasket SG 54x48x1 Frontal			
14	63900014	1	SSG 30 Panel Solé Diesel			
15	60900037	1	Key-Locking			



D_1633 Panel SSG 30 Spare Parts

Fig.	Ref.	Qty.	Descr.	Obs	From	UpTo
17	51918057	4	Bolt DIN 7981 3,9-22			
18A	63900003BSR	1	Pressure Gauge SG Solé Master White			
18B	63900042NSR	1	Pressure Gauge SG Solé Master Black			
19A	63900002BSR	1	Temperature Gauge SG Solé Master White			
19B	63900041NSR	1	Temperature Gauge SG Solé Master Black			
20	63900018	1	Gasket Panel SSG30			
21A	61100000	1	Resistance 12V 18 Ohm with Connectors Panel SG			
Figure A for 12V System						
21B	61100001	1	Resistance 24V 75 Ohm with Connectors Panel SG			
Figure b for 24V System						
22	63900040	1	Buzzer Bracket			
23	53033005	2	Washer GROWER DIN 127-5			
24	52120004	2	Nut DIN 934 M4 8.8			
NS	LLAVERO.1A	1	Floating Keyring Solé Diesel			

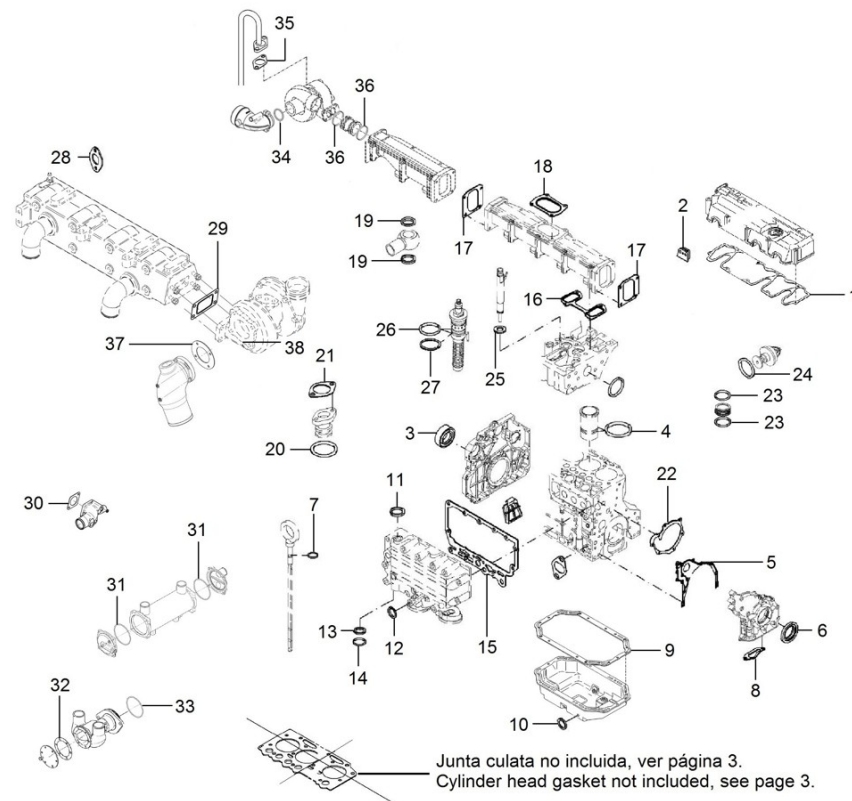


D_ALARPRO_1 Engine Extension

Fig.	Ref.	Qty.	Descr.	Obs	From	UpTo
1A	60938210.1	1	Engine Wiring Ext. 3 M. SUPERSEAL			
1B	60985210.1	1	Engine Wiring Ext. 4 M. SUPERSEAL			
1C	60938211	1	Engine Wiring Ext. 8 M. SUPERSEAL			
1D	60985210.12.1	1	Engine Wiring Ext. 12 M. SUPERSEAL			
1E	60985210.15.1	1	Engine Wiring Ext. 15 M. SUPERSEAL			
1F	60985210.24.1	1	Engine Wiring Ext. 24 M. SUPERSEAL			
1G	60974552	1	3-way Wiring Wxtension for Auxiliary Kits 4 m			
1H	60900165	1	3-way Wiring Extension for Auxiliary Kits 6 m			
1I	60900166	1	3-way Wiring Extension for Auxiliary Kits 12 m			
1J	60900167	1	3-way Wiring Extension for Auxiliary Kits 24 m			

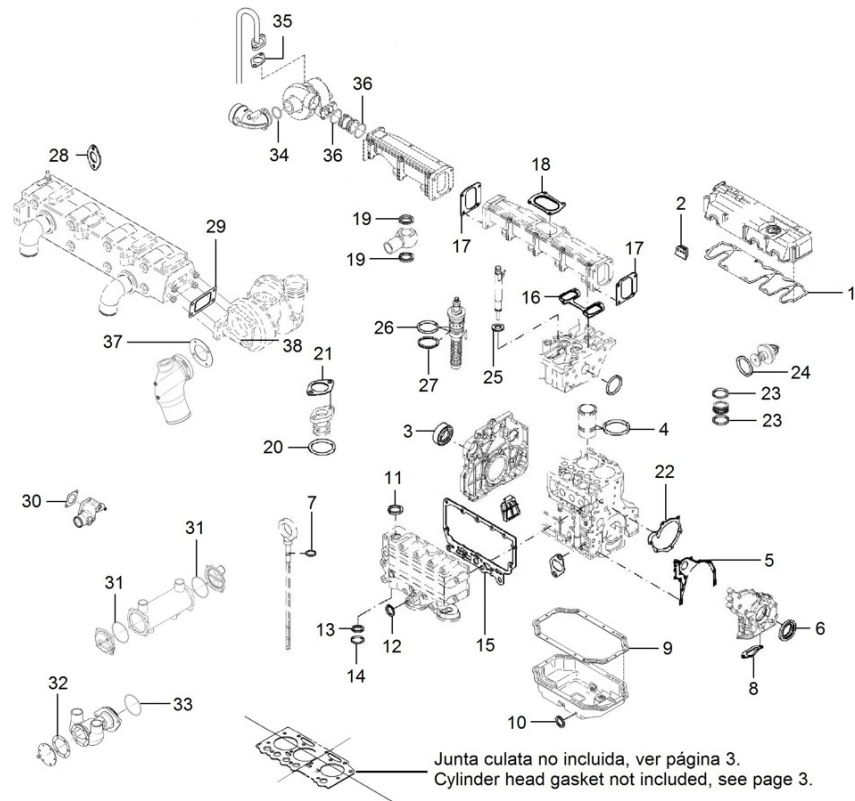


D_19520101		Gasket Kit				
Fig.	Ref.	Qty.	Descr.	Obs	From	UpTo
1	19521010	1	Rocker Cover Gasket			
2	19521011	1	Cap			
3	19420039.1	1	ROT.Shaft LIP Seal			
4	19420074	12	O-Ring D. 115X3			
5	19420026.2	1	Gasket			
6	19420008	1	ROT.Shaft LIP Seal			
7	19620029.2	1	O-Ring			
8	19424056.1	1	Gasket			
9	19520033	1	Gasket			
10	19420032	2	Ring			
11	19421019	1	SeallNG Ring			
12	19417001	1	Plug			
13	19422118	1	SeallNG Ring			
14	19422113	2	O-Ring			
15	19424084	1	Gasket			
16	19421063	2	Gasket			
17	19421047	2	Gasket			
18	19421034	1	Gasket		26/07/2019	
19	19421016	2	SeallNG Ring			
20	19428063	3	SeallNG Ring			
21	19428062	1	Gasket			
22	19421040	1	Flat Gasket			
23	19421044	2	O-Ring			
24	19420150	1	O-Ring			
25	19426012	6	SeallNG Ring			
26	19425002	3	O-Ring D. 40X3,5			
27	19425003	2	Shim			
28	19421181.2	6	Gasket			
29	19421183.4	1	Gasket			
30	19411010	1	Gasket			
31	16711007	1	O-Ring D. 116X4			



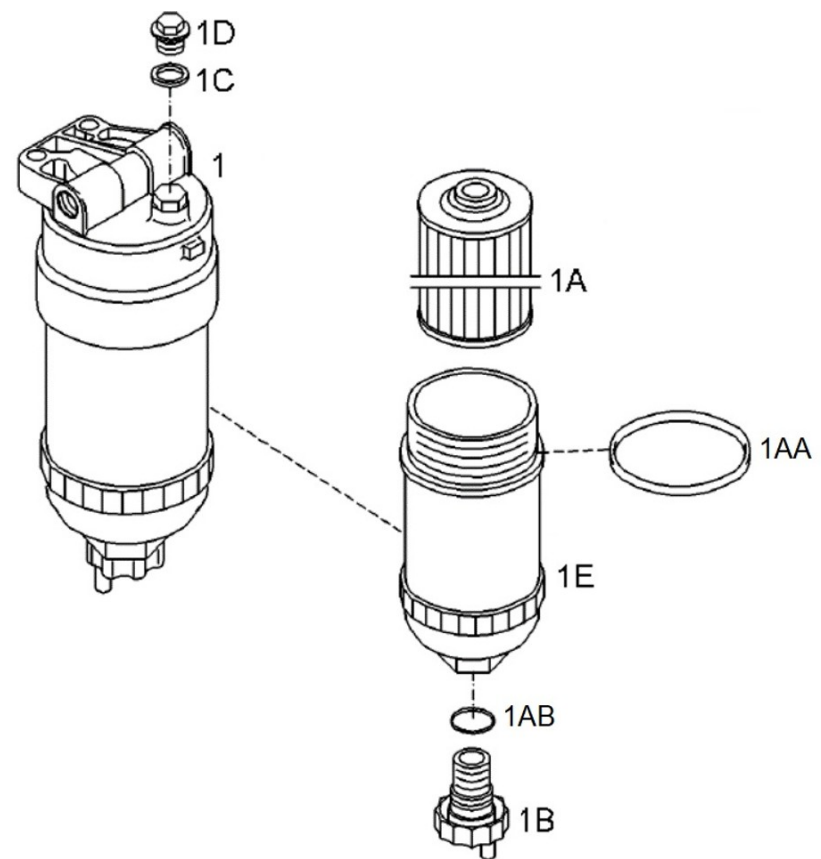
D_19520101 Gasket Kit

Fig.	Ref.	Qty.	Descr.	Obs	From	UpTo
32	34711003	1	Gasket Cover			
33	19420221	1	O-Ring D. 82X4 VITON			
34	19510019	1	O-Ring D. 70X4 VITON			
35	19428041	1	Gasket			
36	19521039	2	O-Ring			
37	19613013	1	Gasket			
38	19513013	1	Gasket			



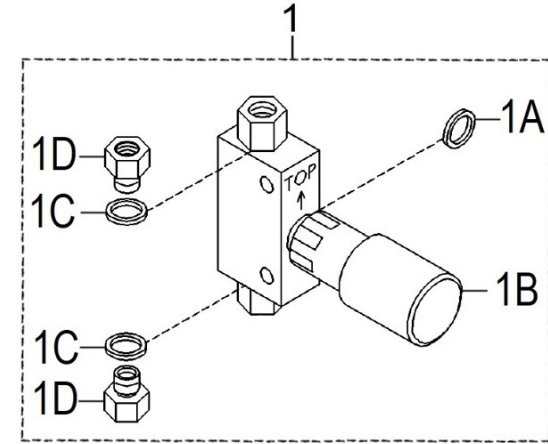
D_19424020 Fuel Filter

Fig.	Ref.	Qty.	Descr.	Obs	From	UpTo
1	19424020	1	SPin-ON Fuel FILT.			
1A	19424020.3	1	Pre Fuel Filter Element SDZ-165/205/280			
1AA	19424020.2	1	O-Ring D. 95X4			
1AB	19424020.4	1	O-Ring D. 12X2,5			
1B	19424020.5	1	DRAIN Valve			
1C	19421016	1	Sealing Ring			
1D	19420071	1	Screw Plug			
1E	19424020.8	1	Filter Housing			



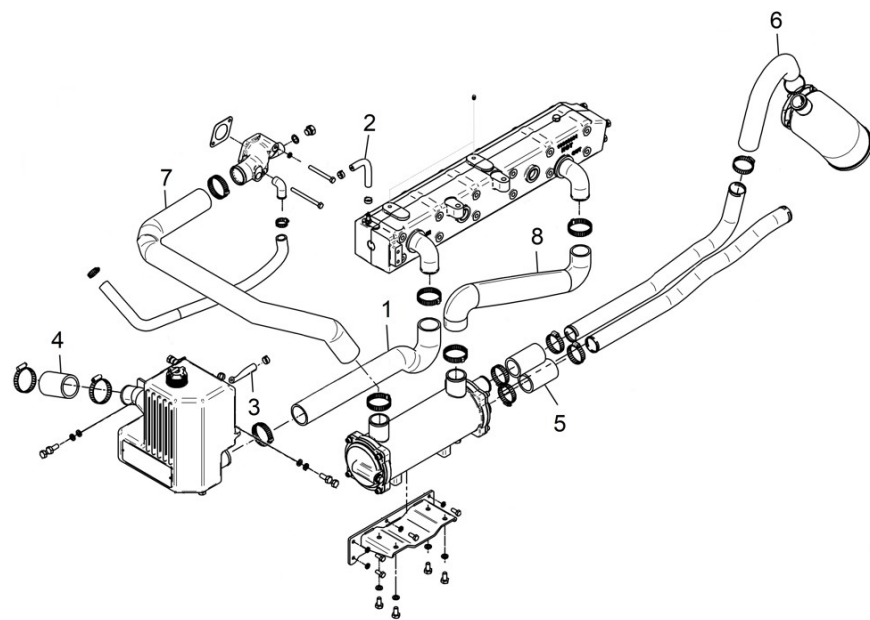
D_19424050 Hand Pump

Fig.	Ref.	Qty.	Descr.	Obs	From	UpTo
1	19424075	1	Kit Fuel Pump			
1A	19424050.1	1	Sealing Ring			14/11/2019
1B	19424050.2	1	Hand Pump			14/11/2019
1C	19424078	2	Gasket			14/11/2019
1C	56000077	2	Washer 18-23-1,5		14/11/2019	
1D	19424050.3	2	Adapter NIPPLE			14/11/2019
1D	19424079	2	Manual Pump gasoil Fitting		14/11/2019	



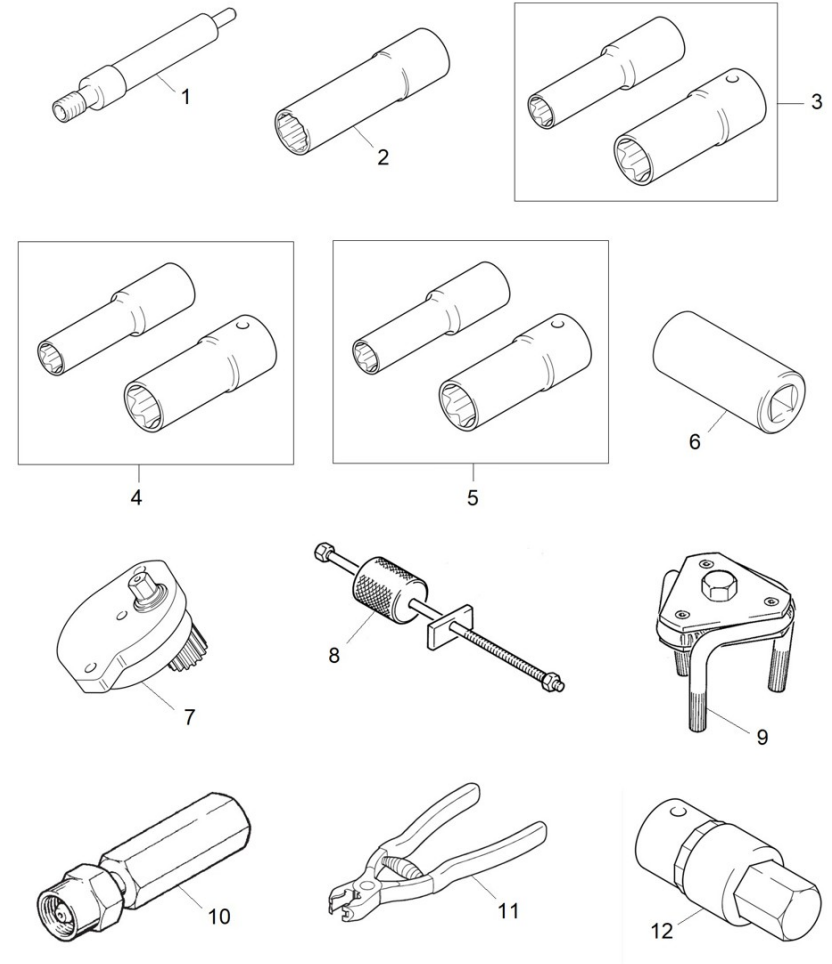
D_19511101 Pipe Rubber Set

Fig.	Ref.	Qty.	Descr.	Obs	From	UpTo
1	19411019	1	Hose			
2	19411041	1	Purge Hose			
3	19411042	1	Hose			
4	19411043	1	Pipe 48-60-85			
5	19411045	2	Pipe 42-54-90			
6	19511006	1	Rubber Pipe			
7	19511020	1	Hose			
8	19511021	1	Hose			
NS	19412002	2	Water Cooler Cover			
NS	19414003.1	1	Rubber Pipe			
NS	19511002	1	Hose			
NS	19511007	1	Hose			
NS	M87502232	1	Water Intake Hose (HQ) D. 22-32			
NS	M87504252	0.0	Water Intake Hose (HQ) D. 42-52			



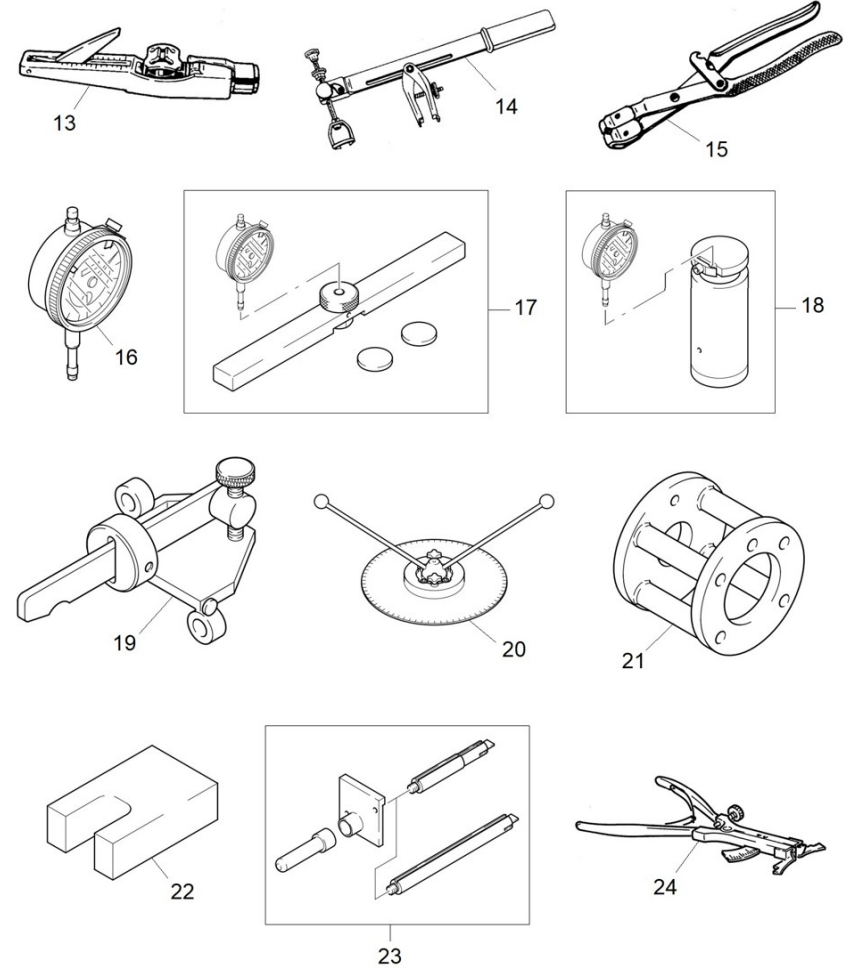
D_UTILSDZPRO_1 Special Tools 1/4

Fig.	Ref.	Qty.	Descr.	Obs	From	UpTo
1	UBP00006	1	Connector For Compression Tester			
2	UMSDZ001	1	Socket A/Flats 15 Long For Injector			
3	UMSDZ002	1	Torx Sockets Long Version			
4	UMSDZ003	1	Torx Sockets Long Version			
5	UMSDZ004	1	Torx Sockets Long Version			
6	UMSDZ005	1	Serrated Wrench Turning Injection Pump			
7	UMSDZ008	1	Assembly Tool For Front Crankshaft Seal			
8	UMSDZ010	1	Extractor			
9	UMSDZ011	1	Special Device Off Filter Cartridge			
10	UMSDZ012	1	Extractor Injector			
11	UMSDZ016	1	Cobra Clamp Pliers			
12	UMSDZ017	1	Screw Driver Socket			



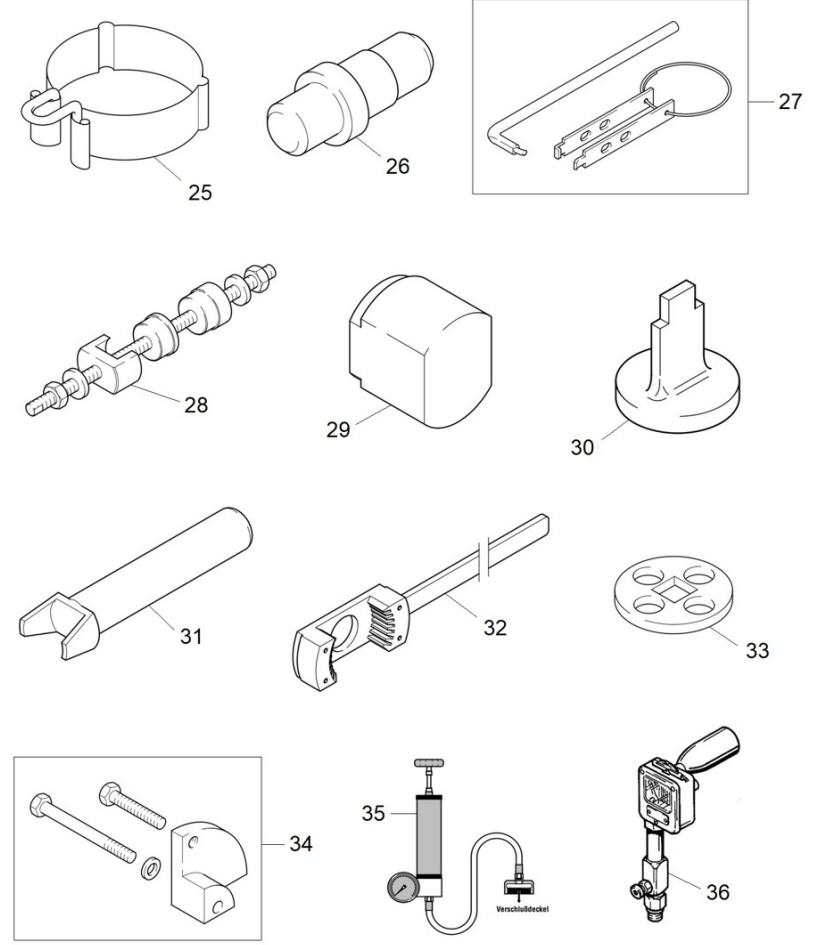
D_UTILSDZPRO_2 Special Tools 2/4

Fig.	Ref.	Qty.	Descr.	Obs	From	UpTo
13	UMSDZ018	1	V-Belt Tension Gauge			
14	UMSDZ019	1	Valve Spring Assembly Lever			
15	UMSDZ020	1	Spring Clamp Pliers			
16	UMSDZ024	1	Dial Gauge M2T With Locking Ring			
17	UMSDZ025	1	Measuring Bar With Spacers For Gauging			
18	UMSDZ026	1	Measuring Device Base Circle Injection			
19	UMSDZ027	1	Press-on Device For Control Rod			
20	UMSDZ028	1	GRADUATED DISC 360° For TDC and COD			
21	UMSDZ029	1	Adapter For Graduated Disc			
22	UMSDZ030	1	Dolly For Injector a/flats 11			
23	UMSDZ031	1	Assembly Tool For Control Rod Sleeves			
24	UMSDZ034	1	Piston Ring Pliers			



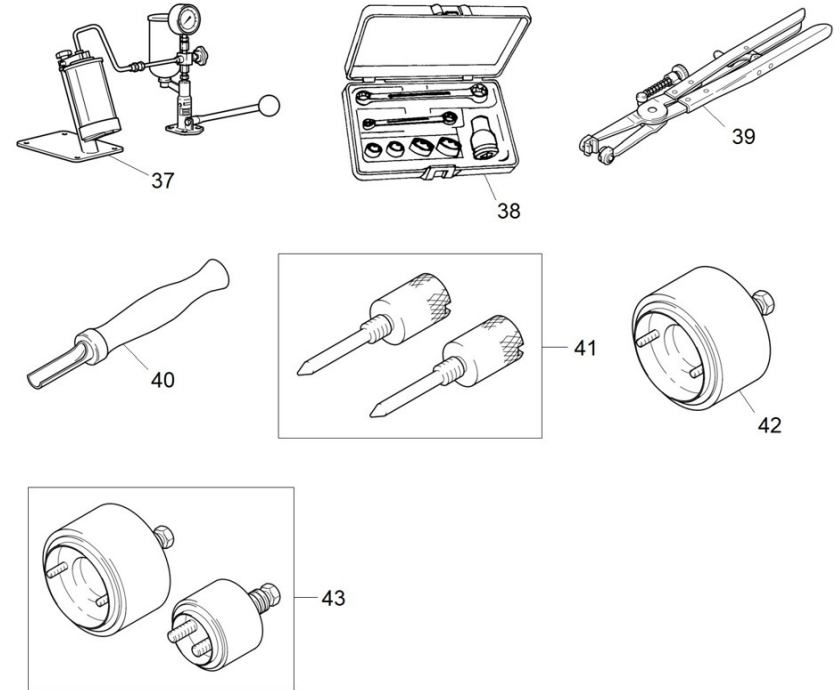
D_UTILSDZPRO_3 Special Tools 3/4

Fig.	Ref.	Qty.	Descr.	Obs	From	UpTo
25	UMSDZ035	1	Piston Ring Compressor			
26	UMSDZ036	1	Assembly Tool For Small End Bush			
27	UMSDZ037	1	Puller For Front And Rear Crakshaft Seal			
28	UMSDZ040	1	Assembly Tool For Camshaft Sleeves			
29	UMSDZ041	1	Assembly Tool For Cylinder Liner			
30	UMSDZ042	1	Assembly Tool For Pressure Control Valve			
31	UMSDZ043	1	Assembly Tool For Thermostat			
32	UMSDZ044	1	Dolly For Air Compressor Gear			
33	UMSDZ069	1	Turning Device			
34	UMSDZ070	1	Measuring Device For Control Rod			
35	UMSDZ058	1	Pressure Pump for Tightness Testing Coolant System			
36	UMSDZ059	1	Compression Tester			



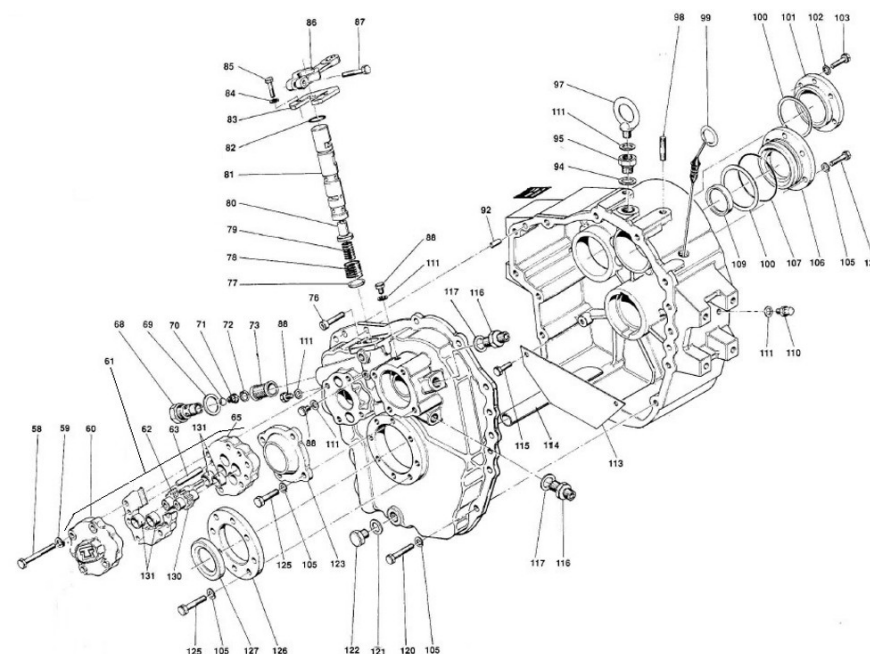
D_UTILSDZPRO_4 Special Tools 4/4

Fig.	Ref.	Qty.	Descr.	Obs	From	UpTo
37	UMSDZ060	1	Injector Tester			
38	UMSDZ061	1	Torx Torx-Werkzeugsatz Tool Kit			
39	UMSDZ062	1	Spring Clamp Pliers			
40	UMSDZ063	1	Auxiliary Tool Glow Plug Cable Coupler			
41	UMSDZ064	1	Adjusting Bolts for Mass Compensating Shafts "MAG"			
42	UMSDZ066	1	Assembly Tool For Rear Crankshaft Seal			
43	UMSDZ067	1	Turning Gear			
NS	61800001	1	Injector Tester			
NS	UBP00002	1	Test Bench Engine Test Bench SDZ-280 Pressure			
NS	UMSDZ021	1	Spring Clamp Pliers			
NS	UV19410016B	1	Turbo pressure test tool SDZ-280			
NS	UV19424040.1	1	Fuel pressure test tool SDZ-280			



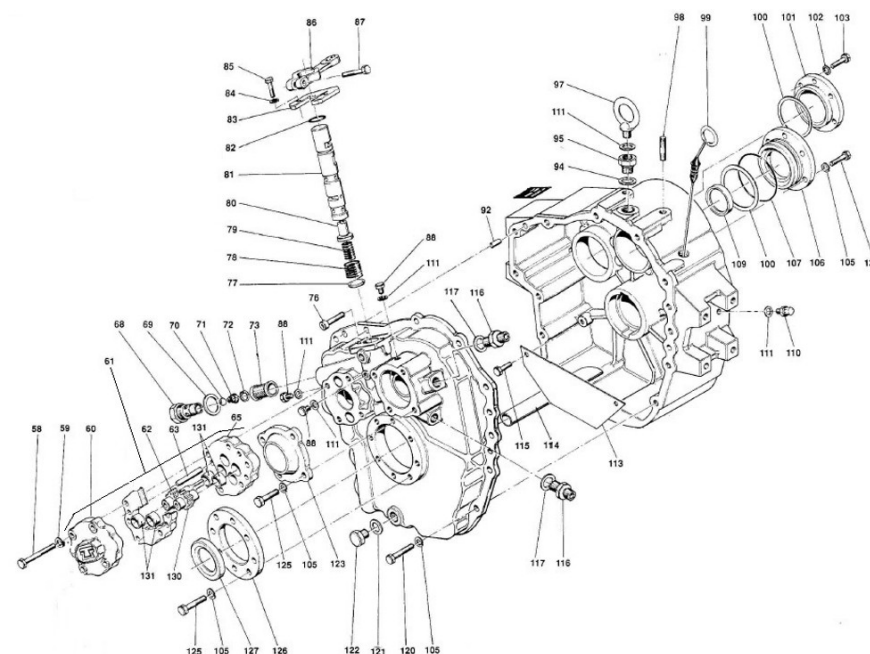
D_5021_1.1 Sheet 1.1/4

Fig.	Ref.	Qty.	Descr.	Obs	From	UpTo
58	52101266	4	Bolt DIN 931 M8-65 8.8			
58	52101266	4	Bolt DIN 931 M8-65 8.8			
59	53033008	4	Washer GROWER DIN 127-8			
59	53033008	4	Washer GROWER DIN 127-8			
60	24820015.1	1	Oil Pump Body			
60	24820015.1	1	Oil Pump Body			
61	24810017	1	Oil Pump Kit			
61	24810017	1	Oil Pump Kit			
62	24810096	1	Gear, Driver			
62	24810096	1	Gear, Driver			
63	24820023.1	2	Pin			
63	24820023.1	2	Pin			
65	24810026.1	1	Cover			
65	24810026.1	1	Cover			
68	24810024	1	Plug, Oil Filter DRAIN			
68	24810024	1	Plug, Oil Filter DRAIN			
69	24810027	1	Washer			
69	24810027	1	Washer			
70	18024143	1	Ball,steel 1/2"			
70	18024143	1	Ball,steel 1/2"			
71	24810030	1	Valve Spring			
71	24810030	1	Valve Spring			
72	24810032	1	SNAP Ring			
72	24810032	1	SNAP Ring			
73	24810035C	1	Oil Filter			
73	24810035C	1	Oil Filter			
76	52103309	1	Bolt DIN 912 M10-30 8.8			
76	52103309	1	Bolt DIN 912 M10-30 8.8			
77	24810055	1	Expansion Plug			
77	24810055	1	Expansion Plug			
78	24810054	1	Spring, Valve			



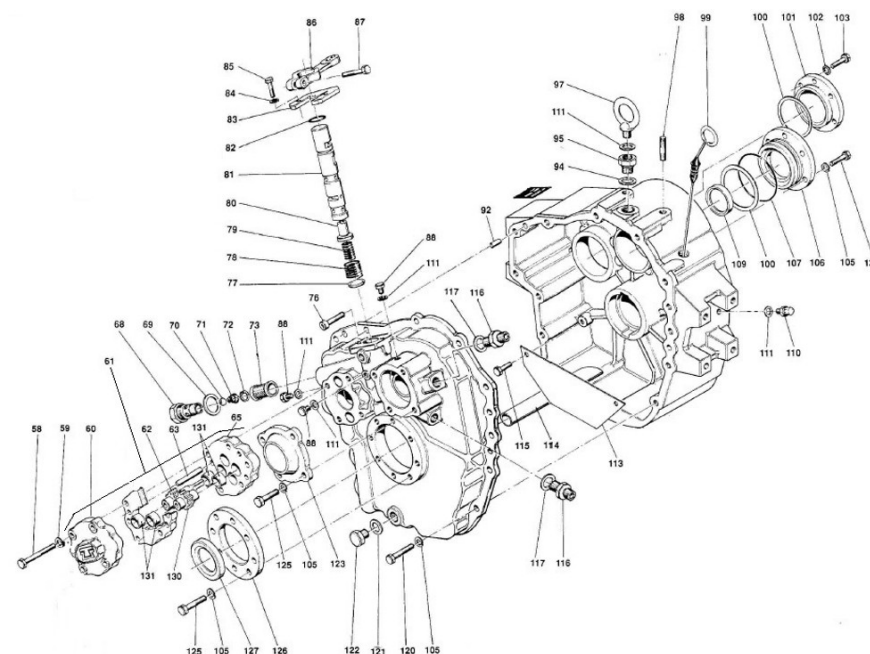
D_5021_1.1 Sheet 1.1/4

Fig.	Ref.	Qty.	Descr.	Obs	From	UpTo
79	24810053	1	Spring, Valve INNER			
80	24810052	1	Valve			
80	24810052	1	Valve			
81	24810051	1	Distributor			
81	24810051	1	Distributor			
82	24810045	1	O-Ring D. 15,08X2,62			
82	24810045	1	O-Ring D. 15,08X2,62			
83	24810041	1	Support			
83	24810041	1	Support			
84	53033006	2	Washer GROWER DIN 127-6			
84	53033006	2	Washer GROWER DIN 127-6			
85	52102156	2	Bolt DIN 933 M6-16 8.8			
85	52102156	2	Bolt DIN 933 M6-16 8.8			
86	24810424	1	Lever			
86	24810424	1	Lever			
87	52102258	1	Bolt DIN 933 M8-25 8.8			
87	52102258	1	Bolt DIN 933 M8-25 8.8			
88	24840039	3	Plug			
88	24840039	3	Plug			
92	24820090	2	Pin			
92	24820090	2	Pin			
94	56000083	1	Washer 21-26-1,5			
94	56000083	1	Washer 21-26-1,5			
95	24810068	1	Plug			
95	24810068	1	Plug			
97	24810012	1	Nut			
97	24810012	1	Nut			
98	24820071	1	Stud			
98	24820071	1	Stud			
99	24840008	1	Gauge Oil LEVEL			
99	24840008	1	Gauge Oil LEVEL			



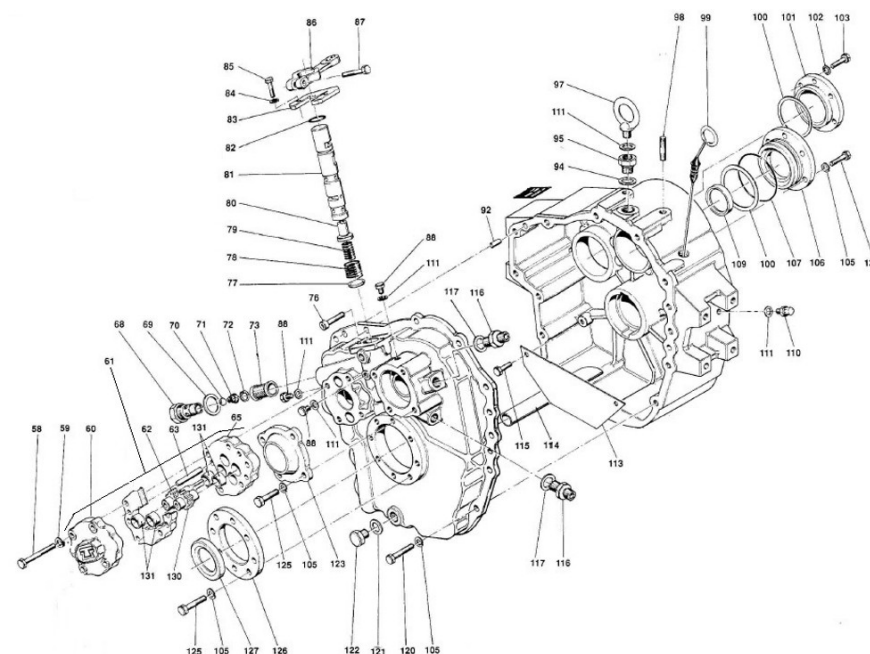
D_5021_1.1 Sheet 1.1/4

Fig.	Ref.	Qty.	Descr.	Obs	From	UpTo
100A	24840073	0	Spacer T=0.1 mm	#		
100B	24840074	0	Spacer T=0.3	#		
100B	24840074	0	Spacer T=0.3	#		
100C	24840076	0	Spacer T=0.15 mm	#		
100C	24840076	0	Spacer T=0.15 mm	#		
101	24840075	1	Cover, Shaft			
101	24840075	1	Cover, Shaft			
102	24840077	1	Gear			
102	24840077	1	Gear			
103	24840078	6	Screw			
103	24840078	6	Screw			
105	53033010	26	Washer GROWER DIN 127-10			
105	53033010	26	Washer GROWER DIN 127-10			
106	24840072	1	Cover, Input Shaft			
106	24840072	1	Cover, Input Shaft			
107	24840111	1	O-Ring D. 110X3,5			
107	24840111	1	O-Ring D. 110X3,5			
109	24840103	1	Grommet			
109	24840103	1	Grommet			
110	24810065	1	Plug			
110	24810065	1	Plug			
111	24810063	5	Plane Washer			
111	24810063	5	Plane Washer			
113	24840080	1	Plate Pipe			
113	24840080	1	Plate Pipe			
114	24840081	1	Tube, Aspiration			
114	24840081	1	Tube, Aspiration			
115	52102254	2	Bolt DIN 933 M8-10 8.8			
115	52102254	2	Bolt DIN 933 M8-10 8.8			
116	24810060	2	Racord			
116	24810060	2	Racord			



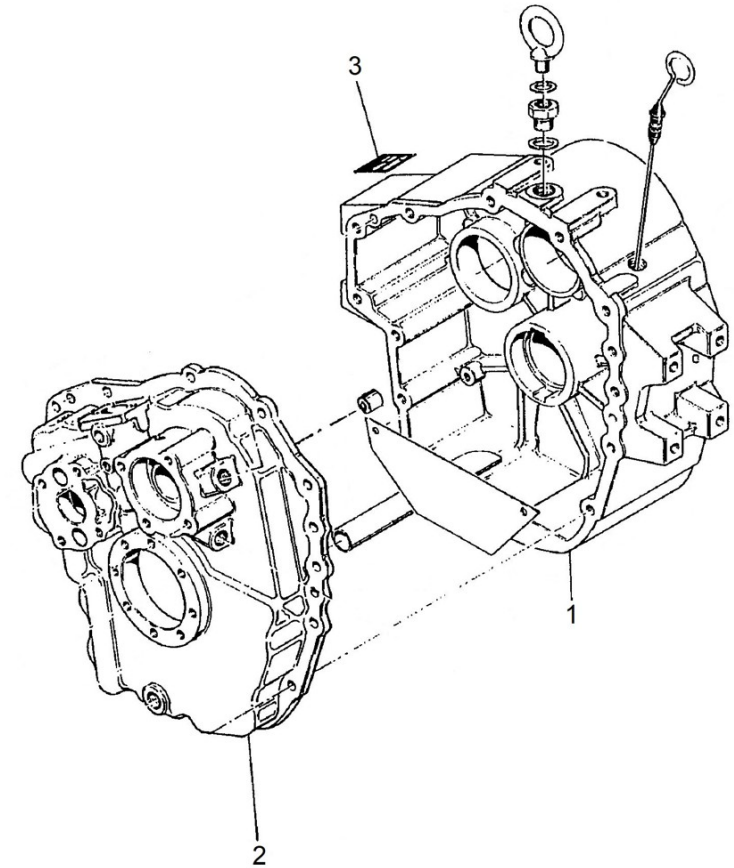
D_5021_1.1 Sheet 1.1/4

Fig.	Ref.	Qty.	Descr.	Obs	From	UpTo
117	24810059	2	Plane Washer			
120	52102309	19	Bolt DIN 933 M10-30 8.8			
120	52102309	19	Bolt DIN 933 M10-30 8.8			
121	56000069	1	Washer 14-20-1,5			
121	56000069	1	Washer 14-20-1,5			
122	24810011	1	Plug,oil drain			
122	24810011	1	Plug,oil drain			
123	24840038	1	Cover			
123	24840038	1	Cover			
125	24840040	12	Screw			
125	24840040	12	Screw			
126	24840208	1	Cover Front			
126	24840208	1	Cover Front			
127	24840214	1	Grommet			
127	24840214	1	Grommet			
130	24810095	1	Gear, Driven			
130	24810095	1	Gear, Driven			
131	24810025	4	Bushing			
131	24810025	4	Bushing			
NS	52103158	3	Bolt DIN 912 M6-25 8.8			
NS	52103158	3	Bolt DIN 912 M6-25 8.8			



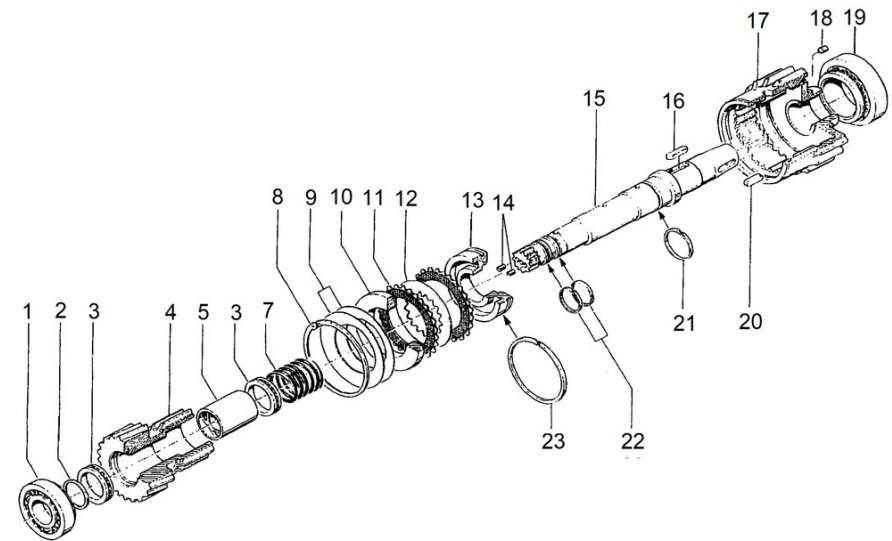
D_5021_1.2 Sheet 1.2/4

Fig.	Ref.	Qty.	Descr.	Obs	From	UpTo
1	24840001	1	Front Body TM265			
2	24840002	1	REVERSE Body TM265			
3	24820005.1	1	NAME Plate			



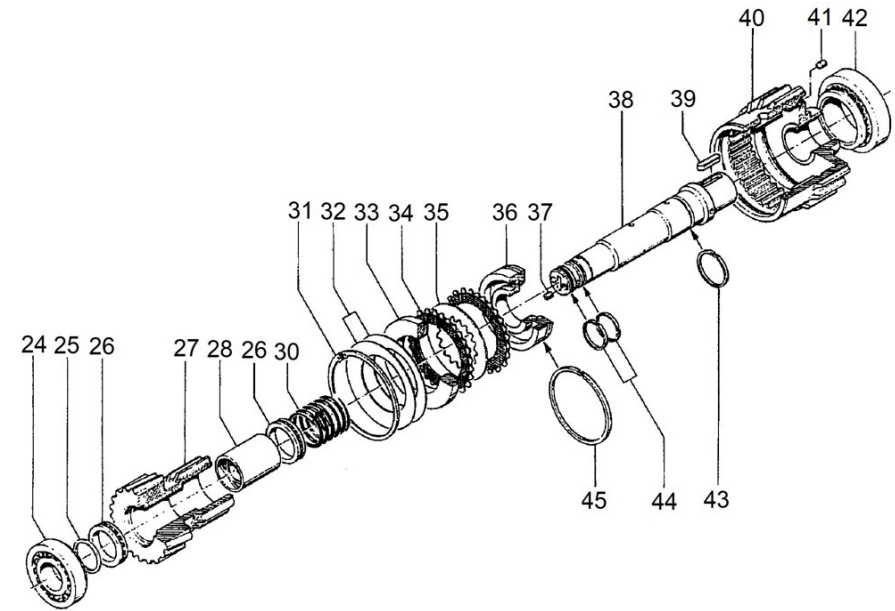
D_5021_2 Input Shaft 2/4

Fig.	Ref.	Qty.	Descr.	Obs	From	UpTo
1	24840104	1	Conical Roller Bearing 32309			
2	24840105	1	Washer			
3	24840106	2	Ball Bearing AXIAL 51110			
4A	24841203	1	Gear R. 1,16 TM 265			
4B	24842203	1	Gear R. 1,44 TM 265			
4C	24843203	1	Gear R. 2 TM 265			
4D	24845203	1	Gear R. 2,82 TM 265			
5	24840117	1	Bushing			
7	24840122	1	Spring			
8	24840128	1	SNAP Ring			
9	24840129	2	Ring			
10	24840113	1	Grommet			
11	24840115	9	Conduct DISK			
12	24840116	8	ConductOR Disk			
13	24840124	1	Piston			
14	24840127	2	Plug			
15	24840101	1	Input Shaft			
16	24830211	1	KEY			
17	24840130	1	Bell			
18	24810334	1	Plug			
19	24840134	1	Conical Roller Bearing 33113			
20	24840133	1	KEY			
21	24840126	1	Washer			
22	24840123	2	Washer			
23	24840125	1	Washer			



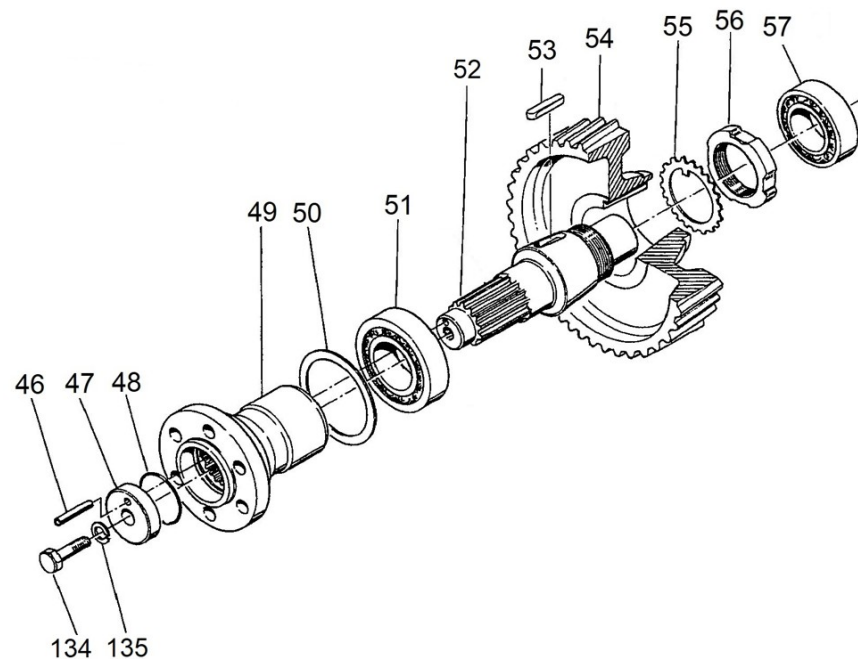
D_5021_3 Intermediate Shaft 3/4

Fig.	Ref.	Qty.	Descr.	Obs	From	UpTo
24	24840104	1	Conical Roller Bearing 32309			
25	24840105	1	Washer			
26	24840106	2	Ball Bearing AXIAL 51110			
27A	24841203	1	Gear R. 1,16 TM 265			
27B	24842203	1	Gear R. 1,44 TM 265			
27C	24843203	1	Gear R. 2 TM 265			
27D	24845203	1	Gear R. 2,82 TM 265			
28	24840117	1	Bushing			
30	24840122	1	Spring			
31	24840128	1	SNAP Ring			
32	24840129	2	Ring			
33	24840113	1	Grommet			
34	24840115	9	Conduct DISK			
35	24840116	8	ConductOR Disk			
36	24840124	1	Piston			
37	24840127	1	Plug			
38	24840301	1	INTERMEDIATE Shaft			
39	24830211	1	KEY			
40	24840130	1	Bell			
41	24810334	1	Plug			
42	24840134	1	Conical Roller Bearing 33113			
43	24840126	1	Washer			
44	24840123	2	Washer			
45	24840125	1	Washer			



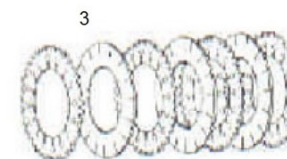
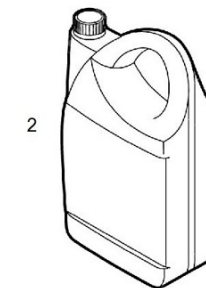
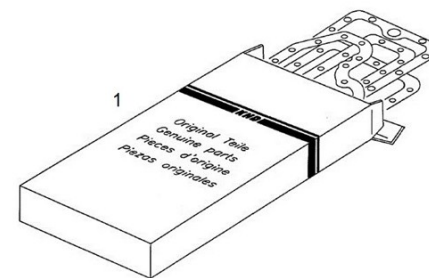
D_5021_4 Output Shaft 4/4

Fig.	Ref.	Qty.	Descr.	Obs	From	UpTo
46	24840220	1	Pin			
47	24840219	1	Washer, BUTT Flange			
48	24840225	1	O-Ring D. 55X5,3			
49	24840224	1	Flange, Output			
50A	24840226	0	Spacer T=0.1 mm	#		
50B	24840228	0	Spacer T=0.3 mm	#		
50C	24840229	0	Spacer T=0.15 mm	#		
51	24840206	1	Conical Roller Bearing 32312			
52	24840201	1	Output Shaft			
53	24840211	1	KEY			
54A	24842210	1	Gear Red. 1,16 TM 265			
54B	24843210	1	Gear R. 1,44 TM 265			
54C	24844210	1	Gear R. 2 TM 265			
54D	24845210	1	Gear R. 2,82 TM 265			
55	24840227	1	Gear			
56	24840213	1	Nut			
57	24840212	1	Conical Roller Bearing 32310			
134	24840222	1	Screw M18x50			
135	24840221	1	Washer D.18			



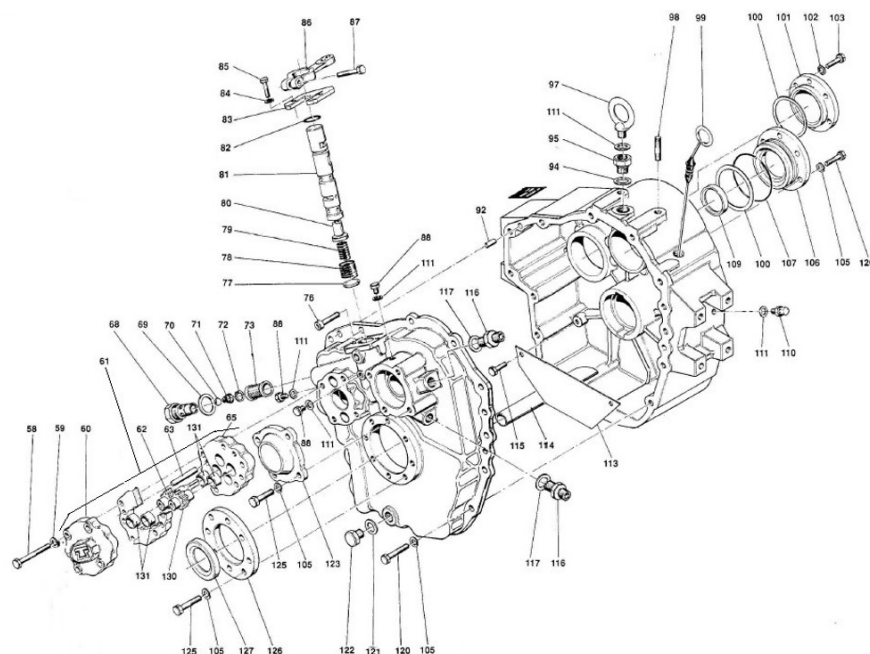
D_5021_5 Maintenance Kit

Fig.	Ref.	Qty.	Descr.	Obs	From	UpTo
1	24840401	1	Kit Gasket			
1	24840401	1	Kit Gasket			
2	A0105000	1	15W40 Sole Diesel Oil 5L			
2	A0105000	1	15W40 Sole Diesel Oil 5L			
3	24840403	2	Clutch Plate Kit			
3	24840403	2	Clutch Plate Kit			



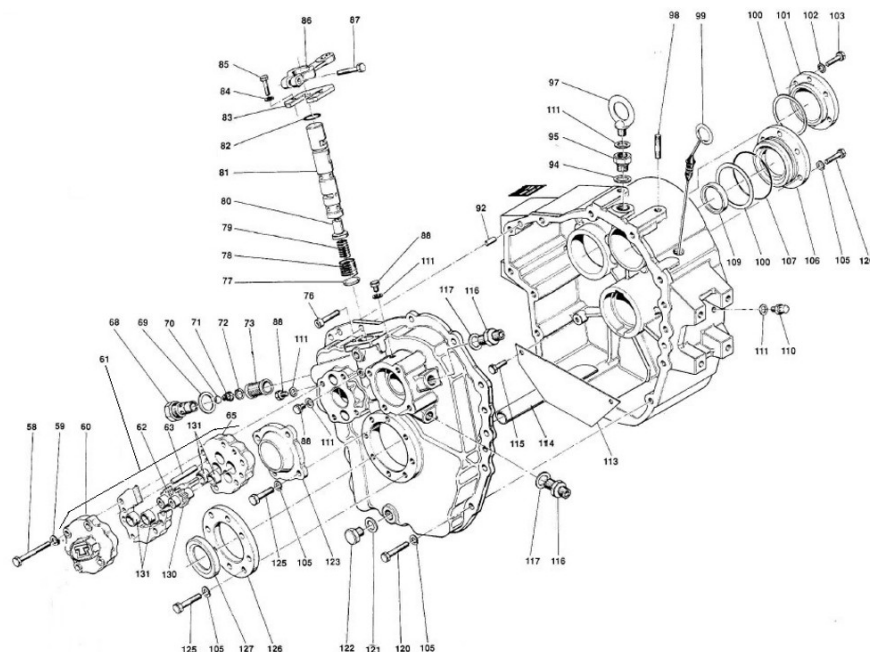
D_5021_1.1 Sheet 1.1/4

Fig.	Ref.	Qty.	Descr.	Obs	From	UpTo
58	52101266	4	Bolt DIN 931 M8-65 8.8			
58	52101266	4	Bolt DIN 931 M8-65 8.8			
59	53033008	4	Washer GROWER DIN 127-8			
59	53033008	4	Washer GROWER DIN 127-8			
60	24820015.1	1	Oil Pump Body			
60	24820015.1	1	Oil Pump Body			
61	24810017	1	Oil Pump Kit			
61	24810017	1	Oil Pump Kit			
62	24810096	1	Gear, Driver			
62	24810096	1	Gear, Driver			
63	24820023.1	2	Pin			
63	24820023.1	2	Pin			
65	24810026.1	1	Cover			
65	24810026.1	1	Cover			
68	24810024	1	Plug, Oil Filter DRAIN			
68	24810024	1	Plug, Oil Filter DRAIN			
69	24810027	1	Washer			
69	24810027	1	Washer			
70	18024143	1	Ball,steel 1/2"			
70	18024143	1	Ball,steel 1/2"			
71	24810030	1	Valve Spring			
71	24810030	1	Valve Spring			
72	24810032	1	SNAP Ring			
72	24810032	1	SNAP Ring			
73	24810035C	1	Oil Filter			
73	24810035C	1	Oil Filter			
76	52103309	1	Bolt DIN 912 M10-30 8.8			
76	52103309	1	Bolt DIN 912 M10-30 8.8			
77	24810055	1	Expansion Plug			
77	24810055	1	Expansion Plug			
78	24810054	1	Spring, Valve			



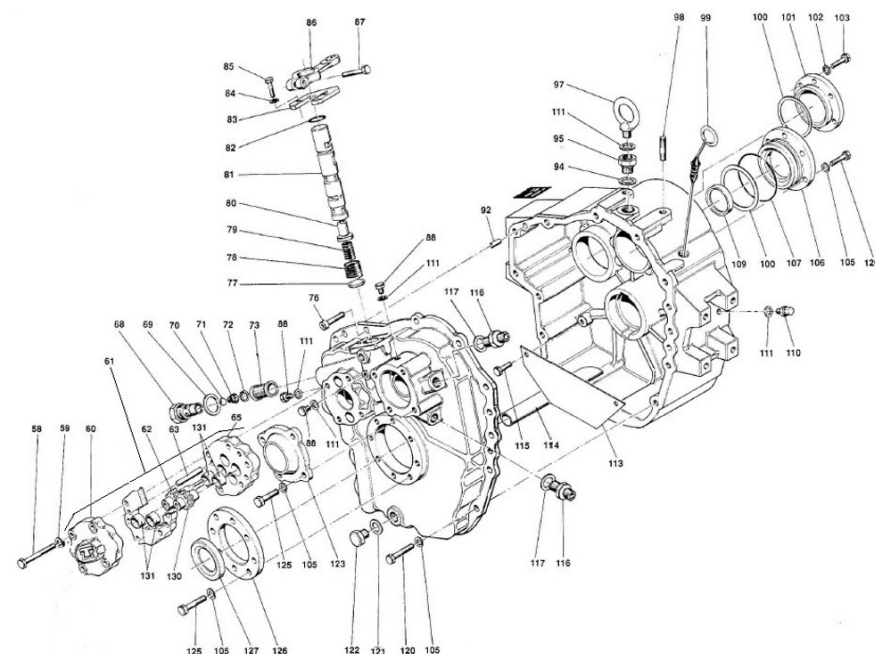
D_5021_1.1 Sheet 1.1/4

Fig.	Ref.	Qty.	Descr.	Obs	From	UpTo
79	24810053	1	Spring, Valve INNER			
80	24810052	1	Valve			
80	24810052	1	Valve			
81	24810051	1	Distributor			
81	24810051	1	Distributor			
82	24810045	1	O-Ring D. 15,08X2,62			
82	24810045	1	O-Ring D. 15,08X2,62			
83	24810041	1	Support			
83	24810041	1	Support			
84	53033006	2	Washer GROWER DIN 127-6			
84	53033006	2	Washer GROWER DIN 127-6			
85	52102156	2	Bolt DIN 933 M6-16 8.8			
85	52102156	2	Bolt DIN 933 M6-16 8.8			
86	24810424	1	Lever			
86	24810424	1	Lever			
87	52102258	1	Bolt DIN 933 M8-25 8.8			
87	52102258	1	Bolt DIN 933 M8-25 8.8			
88	24840039	3	Plug			
88	24840039	3	Plug			
92	24820090	2	Pin			
92	24820090	2	Pin			
94	56000083	1	Washer 21-26-1,5			
94	56000083	1	Washer 21-26-1,5			
95	24810068	1	Plug			
95	24810068	1	Plug			
97	24810012	1	Nut			
97	24810012	1	Nut			
98	24820071	1	Stud			
98	24820071	1	Stud			
99	24840008	1	Gauge Oil LEVEL			
99	24840008	1	Gauge Oil LEVEL			



D_5021_1.1 Sheet 1.1/4

Fig.	Ref.	Qty.	Descr.	Obs	From	UpTo
100A	24840073	0	Spacer T=0.1 mm	#		
100B	24840074	0	Spacer T=0.3	#		
100B	24840074	0	Spacer T=0.3	#		
100C	24840076	0	Spacer T=0.15 mm	#		
100C	24840076	0	Spacer T=0.15 mm	#		
101	24840075	1	Cover, Shaft			
101	24840075	1	Cover, Shaft			
102	24840077	1	Gear			
102	24840077	1	Gear			
103	24840078	6	Screw			
103	24840078	6	Screw			
105	53033010	26	Washer GROWER DIN 127-10			
105	53033010	26	Washer GROWER DIN 127-10			
106	24840072	1	Cover, Input Shaft			
106	24840072	1	Cover, Input Shaft			
107	24840111	1	O-Ring D. 110X3,5			
107	24840111	1	O-Ring D. 110X3,5			
109	24840103	1	Grommet			
109	24840103	1	Grommet			
110	24810065	1	Plug			
110	24810065	1	Plug			
111	24810063	5	Plane Washer			
111	24810063	5	Plane Washer			
113	24840080	1	Plate Pipe			
113	24840080	1	Plate Pipe			
114	24840081	1	Tube, Aspiration			
114	24840081	1	Tube, Aspiration			
115	52102254	2	Bolt DIN 933 M8-10 8.8			
115	52102254	2	Bolt DIN 933 M8-10 8.8			
116	24810060	2	Racord			
116	24810060	2	Racord			



D_5021_1.1 Sheet 1.1/4

Fig.	Ref.	Qty.	Descr.	Obs	From	UpTo
117	24810059	2	Plane Washer			
120	52102309	19	Bolt DIN 933 M10-30 8.8			
120	52102309	19	Bolt DIN 933 M10-30 8.8			
121	56000069	1	Washer 14-20-1,5			
121	56000069	1	Washer 14-20-1,5			
122	24810011	1	Plug,oil drain			
122	24810011	1	Plug,oil drain			
123	24840038	1	Cover			
123	24840038	1	Cover			
125	24840040	12	Screw			
125	24840040	12	Screw			
126	24840208	1	Cover Front			
126	24840208	1	Cover Front			
127	24840214	1	Grommet			
127	24840214	1	Grommet			
130	24810095	1	Gear, Driven			
130	24810095	1	Gear, Driven			
131	24810025	4	Bushing			
131	24810025	4	Bushing			
NS	52103158	3	Bolt DIN 912 M6-25 8.8			
NS	52103158	3	Bolt DIN 912 M6-25 8.8			

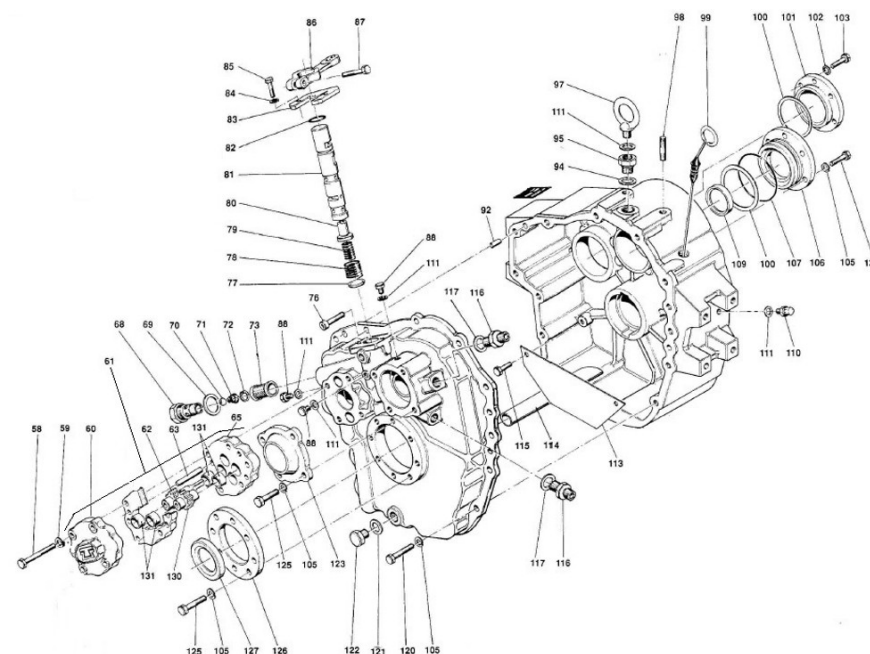
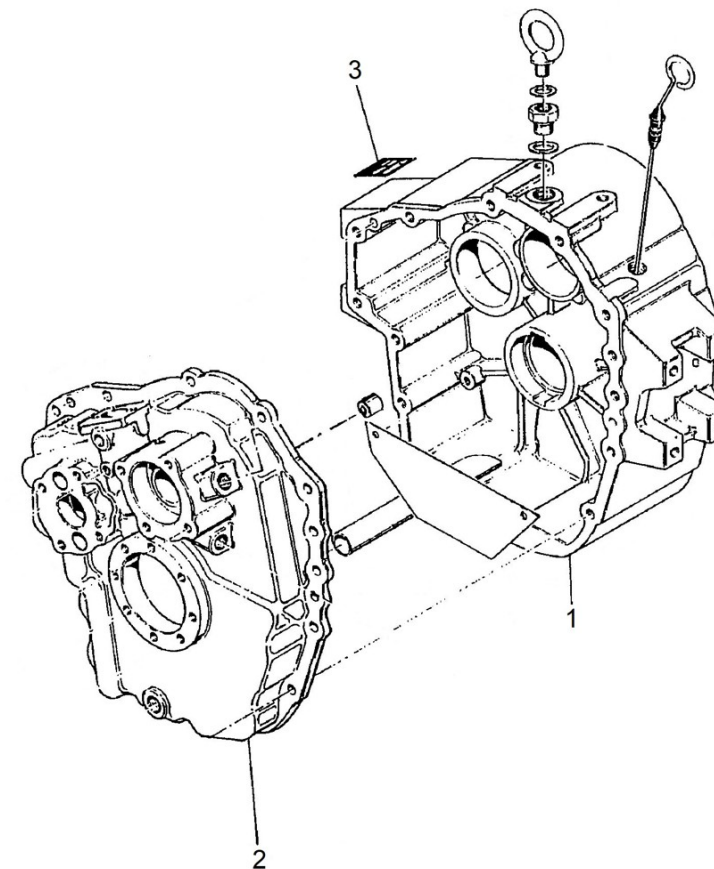
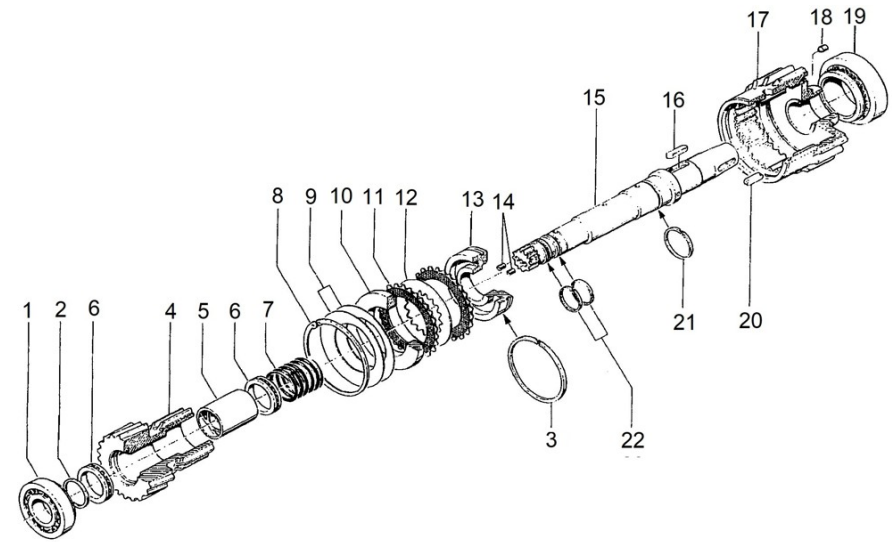


Fig.	Ref.	Qty.	Descr.	Obs	From	UpTo
1	24840001A	1	Front Body TM265A			
2	24840002A	1	Reverse Body TM265A			
3	24820005.1	1	NAME Plate			



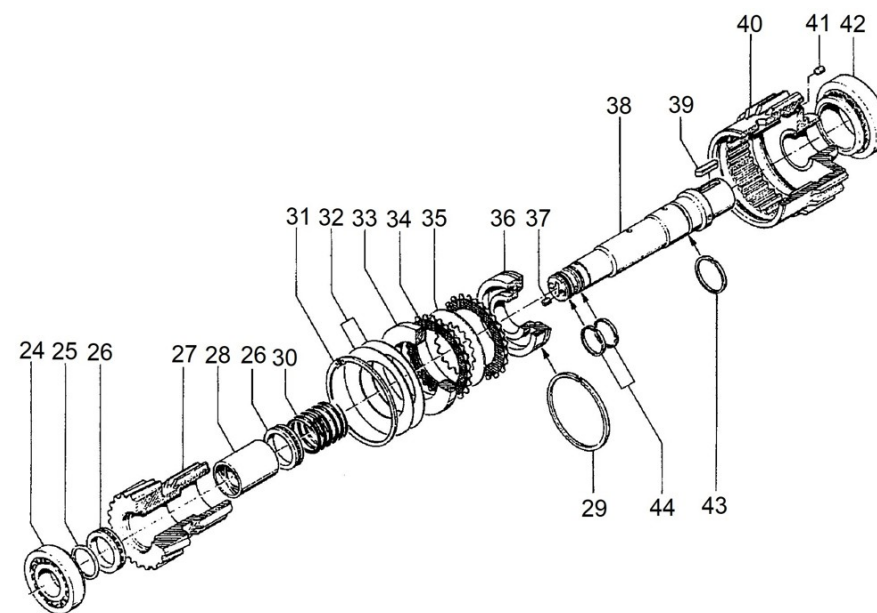
D_5022_2 Input Shaft 2/4

Fig.	Ref.	Qty.	Descr.	Obs	From	UpTo
1	24840104	1	Conical Roller Bearing 32309			
2	24840105	1	Washer			
3	24840125	1	Washer			
4A	24842203A	1	Gear R. 1,44 TM 265A			
4B	24843203A	1	Gear R. 2 TM 265A			
4C	24844203A	1	Gear R. 2,3 TM 265A			
5	24840117	1	Bushing			
6	24840106	2	Ball Bearing AXIAL 51110			
7	24840122	1	Spring			
8	24840128	1	SNAP Ring			
9	24840129	2	Ring			
10	24840113	1	Grommet			
11	24840115	9	Conduct DISK			
12	24840116	8	ConductOR Disk			
13	24840124	1	Piston			
14	24840127	2	Plug			
15	24840101	1	Input Shaft			
16	24830211	1	KEY			
17	24840130	1	Bell			
18	24810334	1	Plug			
19	24840134	1	Conical Roller Bearing 33113			
20	24840133	1	KEY			
21	24840126	1	Washer			
22	24840123	2	Washer			



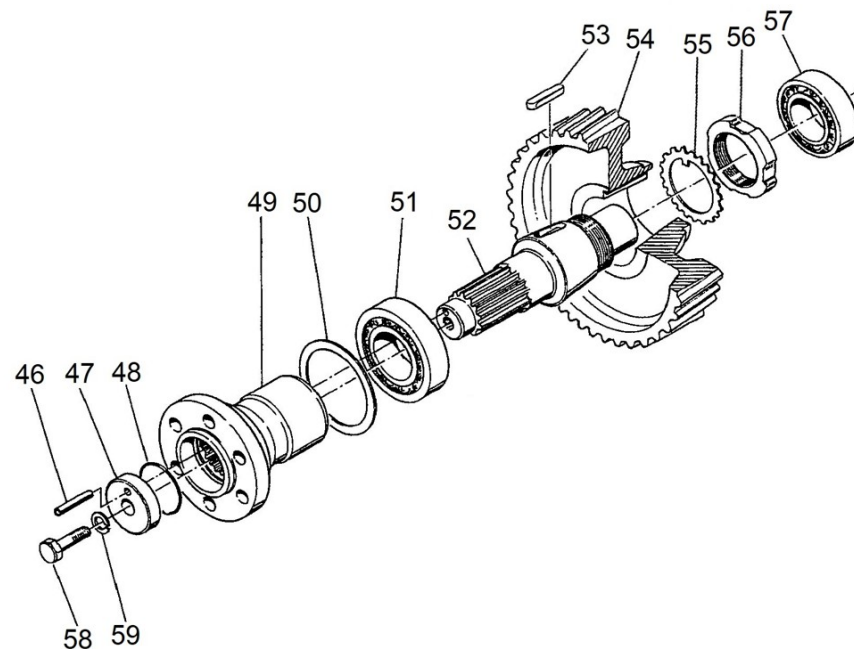
D_5022_3 Intermediate Shaft 3/4

Fig.	Ref.	Qty.	Descr.	Obs	From	UpTo
24	24840104	1	Conical Roller Bearing 32309			
25	24840105	1	Washer			
26	24840106	2	Ball Bearing AXIAL 51110			
27A	24842302A	1	Gear R. 1,44 TM 265A			
27B	24843302A	1	Gear R. 2 TM 265A			
27C	24844302A	1	Gear R. 2,3 TM 265A			
28	24840117	1	Bushing			
29	24840125	1	Washer			
30	24840122	1	Spring			
31	24840128	1	SNAP Ring			
32	24840129	2	Ring			
33	24840113	1	Grommet			
34	24840115	9	Conduct DISK			
35	24840116	8	ConductOR Disk			
36	24840124	1	Piston			
37	24840127	1	Plug			
38	24840301	1	INTERMEDIATE Shaft			
39	24830211	1	KEY			
40	24840130	1	Bell			
41	24810334	1	Plug			
42	24840134	1	Conical Roller Bearing 33113			
43	24840126	1	Washer			
44	24840123	2	Washer			



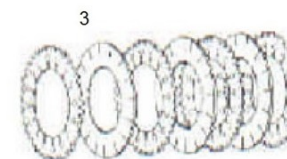
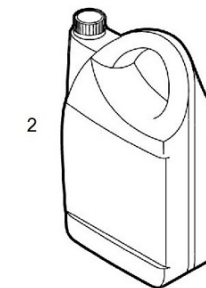
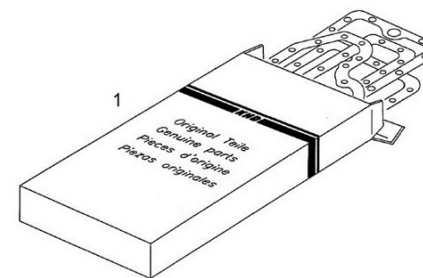
D_5022_4 Output Shaft 4/4

Fig.	Ref.	Qty.	Descr.	Obs	From	UpTo
46	24840220	1	Pin			
47	24840219	1	Washer, BUTT Flange			
48	24840225	1	O-Ring D. 55X5,3			
49	24840224	1	Flange, Output			
50A	24840226	1	Spacer T=0.1 mm			
50B	24840228	1	Spacer T=0.3 mm			
50C	24840229	1	Spacer T=0.15 mm			
51	24840206	1	Conical Roller Bearing 32312			
52	24840201	1	Output Shaft			
53	24840211	1	KEY			
54A	24842210A	1	Gear R. 1,44 TM 265A			
54B	24843210A	1	Gear R. 2 TM 265A			
54C	24844210A	1	Gear R. 2,3 TM 265A			
55	24840227	1	Gear			
56	24840213	1	Nut			
57	24840212	1	Conical Roller Bearing 32310			
58	24840222	1	Screw M18x50			
59	24840221	1	Washer D.18			



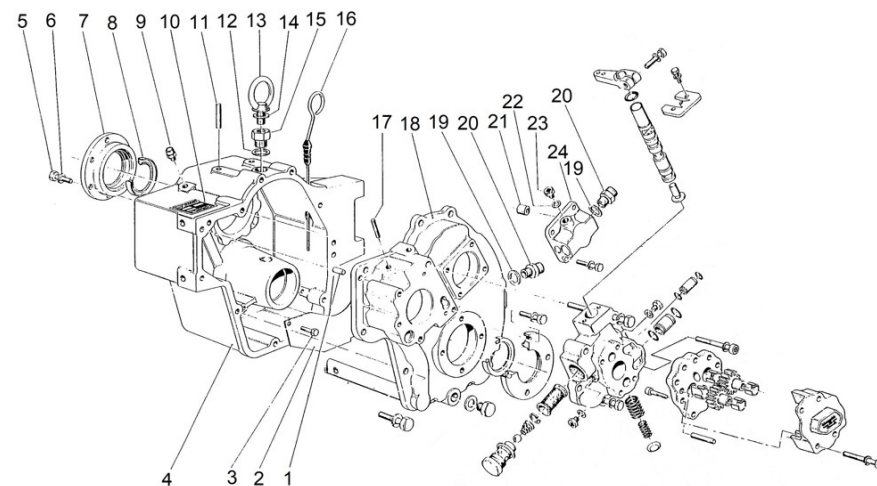
D_5021_5 Maintenance Kit

Fig.	Ref.	Qty.	Descr.	Obs	From	UpTo
1	24840401	1	Kit Gasket			
1	24840401	1	Kit Gasket			
2	A0105000	1	15W40 Sole Diesel Oil 5L			
2	A0105000	1	15W40 Sole Diesel Oil 5L			
3	24840403	2	Clutch Plate Kit			
3	24840403	2	Clutch Plate Kit			



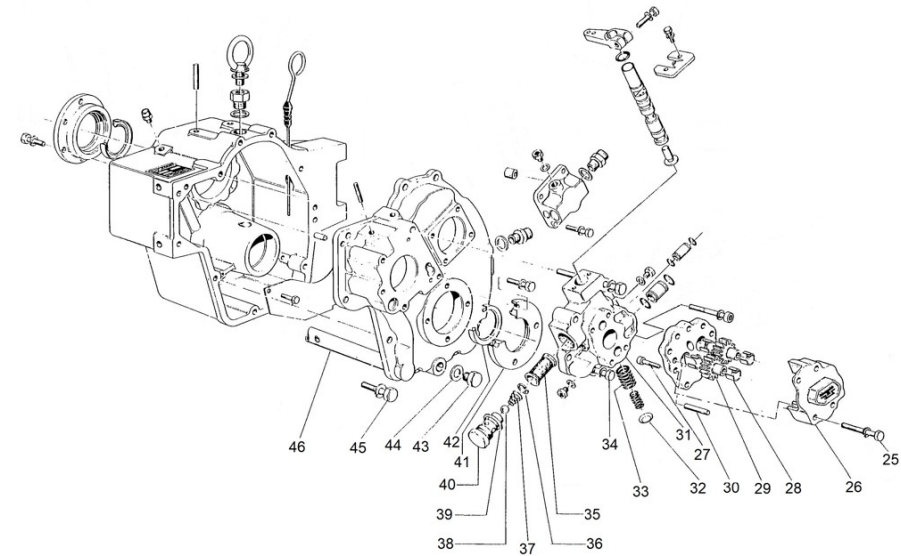
D_5027_1.1 Sheet 1.1/4

Fig.	Ref.	Qty.	Descr.	Obs	From	UpTo
1	24820090	2	Pin			
2	24816080	1	Plate Pipe			
3	24810082	2	Screw			
4	24820001	1	Front Body TM 170			
5	24810047	6	Screw			
6	24810014	6	Washer			
7	24820072	1	Cover Input Shaft			
8	24820103	1	Oil Grommet			
9	24810065	1	Plug			
10	24820005.1	1	NAME Plate			
11	24810071	2	Stud			
12	56000083	1	Washer 21-26-1,5			
13	24810012	1	Nut			
14	24810063	1	Plane Washer			
15	24810068	1	Plug			
16	24810008	1	ROD, Oil LEVEL			
17	24820071	2	Stud			
18	24820002	1	Reverse Body TM 170			
19	24810059	2	Plane Washer			
20	24810060	2	Racord			
21	24810062	1	Valve BY PASS			
22	24820086	1	Washer			
23	24830105	1	Plug			
24	24820102	1	Cover, REAR			



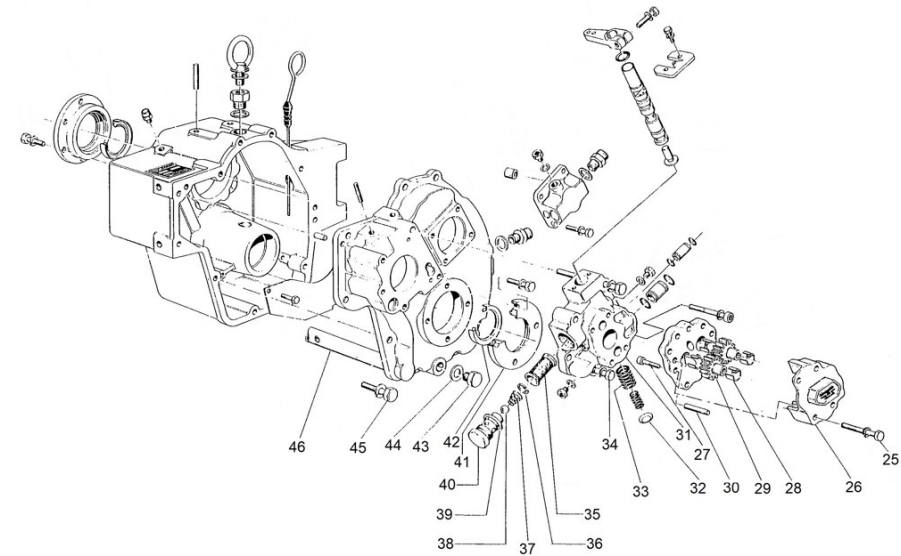
D_5026_1.2 Sheet 1.2/4

Fig.	Ref.	Qty.	Descr.	Obs	From	UpTo
25	24810013	4	Screw			
25	24810013	4	Screw			
26	24820015.1	1	Oil Pump Body			
26	24820015.1	1	Oil Pump Body			
27	24820025.1	3	Screw			
27	24820025.1	3	Screw			
28	24810025	4	Bushing			
28	24810025	4	Bushing			
29	24810096	1	Gear, Driver			
29	24810096	1	Gear, Driver			
30	24820023.1	2	Pin			
30	24820023.1	2	Pin			
31	24820026	1	Distributor Cap			
31	24820026	1	Distributor Cap			
32	24810055	1	Expansion Plug			
32	24810055	1	Expansion Plug			
33	24816054	1	Spring, Valve			
33	24816054	1	Spring, Valve			
34	24820098	2	Screw M10X50			
34	24820098	2	Screw M10X50			
35	24810035	1	Oil Filter			
35	24810035	1	Oil Filter			
36	24810032	1	SNAP Ring			
36	24810032	1	SNAP Ring			
37	24810030	1	Valve Spring			
37	24810030	1	Valve Spring			
38	18024143	1	Ball,steel 1/2"			
38	18024143	1	Ball,steel 1/2"			
39	24810027	1	Washer			
39	24810027	1	Washer			
40	24810024	1	Plug, Oil Filter DRAIN			



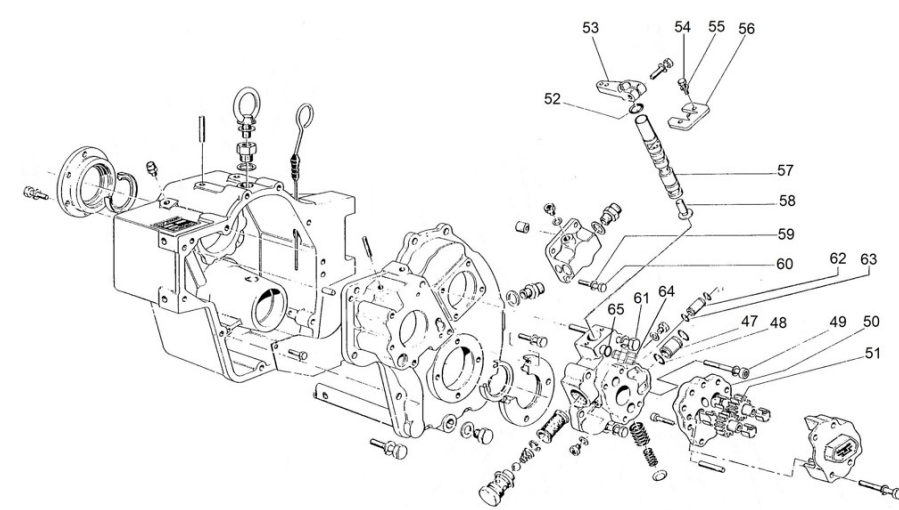
D_5026_1.2 Sheet 1.2/4

Fig.	Ref.	Qty.	Descr.	Obs	From	UpTo
41	24820208	1	Cover Front			
42	24820214	1	Grommet			
42	24820214	1	Grommet			
43	24810011	1	Plug,oil drain			
43	24810011	1	Plug,oil drain			
44	24810088	1	Plane Washer			
44	24810088	1	Plane Washer			
45	52101314	1	Bolt DIN 931 M10-55 8.8			
45	52101314	1	Bolt DIN 931 M10-55 8.8			
46	24816081	1	Aspiration Tube TM 880A			
46	24816081	1	Aspiration Tube TM 880A			
NS	52103311	9	Bolt DIN 912 M10-40 8.8			
NS	52103311	9	Bolt DIN 912 M10-40 8.8			



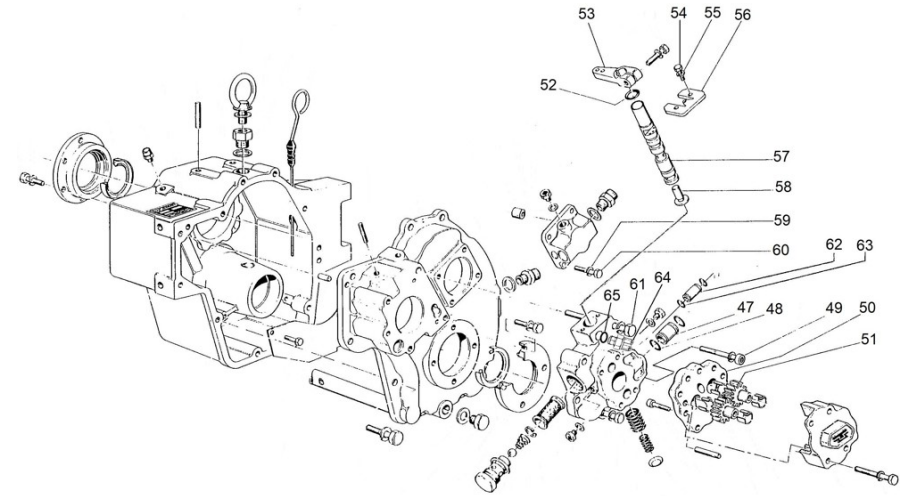
D_5026_1.3 Sheet 1.3/4

Fig.	Ref.	Qty.	Descr.	Obs	From	UpTo
47	24820062	2	Tube, Racord			
47	24820062	2	Tube, Racord			
48	24820063	2	O-Ring D. 15X1,7			
48	24820063	2	O-Ring D. 15X1,7			
49	24820013	2	Screw M10X30			
49	24820013	2	Screw M10X30			
50	24810026.1	3	Cover			
50	24810026.1	3	Cover			
51	24810095	3	Gear, Driven			
51	24810095	3	Gear, Driven			
52	24810056	1	O-Ring			
52	24810056	1	O-Ring			
53	24810424	1	Lever			
53	24810424	1	Lever			
54	24810044	2	Screw			
54	24810044	2	Screw			
55	24810042	2	Washer			
55	24810042	2	Washer			
56	24810041	1	Support			
56	24810041	1	Support			
57	24810051	1	Distributor			
57	24810051	1	Distributor			
58	24810052	1	Valve			
58	24810052	1	Valve			
59	24820075	4	Washer			
59	24820075	4	Washer			
60	24820076	4	Screw M10X30			
60	24820076	4	Screw M10X30			
61	24820087	1	Screw M10X130			
61	24820087	1	Screw M10X130			
62	24820060	1	Tube, Racord			



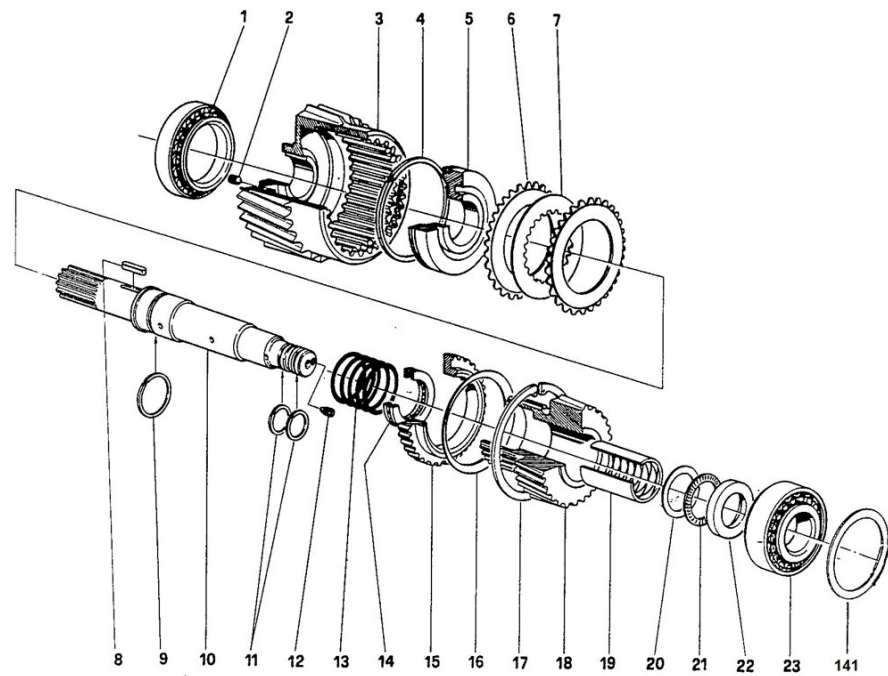
D_5026_1.3 Sheet 1.3/4

Fig.	Ref.	Qty.	Descr.	Obs	From	UpTo
63	24820059	2	O-Ring D. 10X1,7			
64	24810048	1	GR. Crazy Switch			
64	24810048	1	GR. Crazy Switch			
65	24810533	1	O-Ring D. 14X1,7			
65	24810533	1	O-Ring D. 14X1,7			



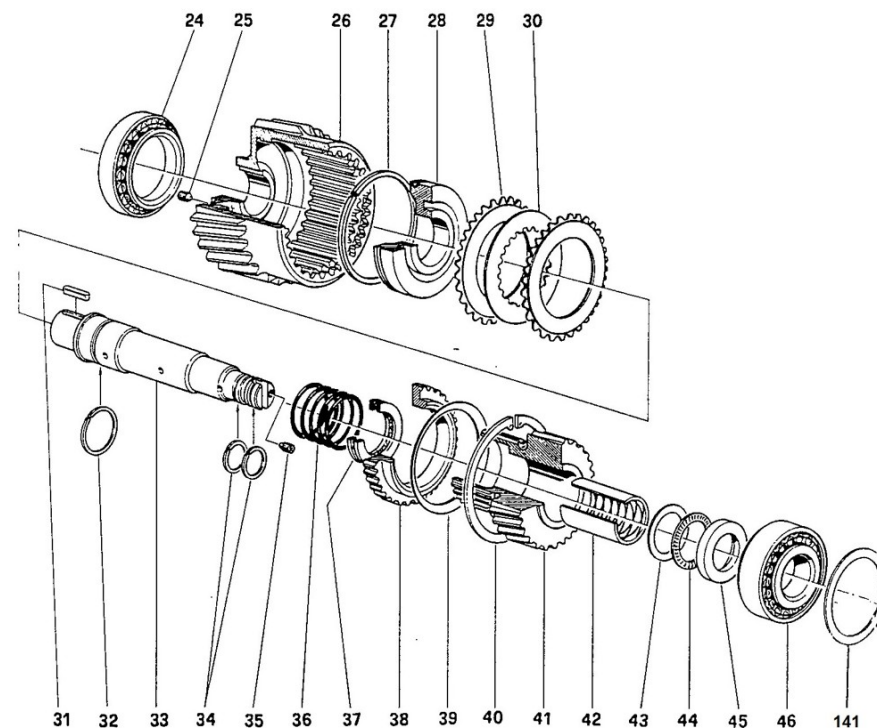
D_5027_2 Input Shaft 2/4

Fig.	Ref.	Qty.	Descr.	Obs	From	UpTo
1	24820134	1	Conical Roller Bearing 32011-JR			
2	24810334	1	Plug			
3	24820130	1	Bell			
4	24820125	1	Washer			
5	24820124	1	Piston			
6	24820115	9	Disk			
7	24820116	8	Disk			
8	24810211	1	KEY			
9	24820126	1	Washer			
10	24820101	1	Input Shaft			
11	24810328	2	Washer			
12	24810326	1	Plug			
13	24820122	1	Spring			
14	24820123	1	Bearing			
15	24820113	1	Grommet			
16	24820129	1	Ring			
17	24820128	1	SNAP Ring			
18A	24822302	1	Gear R. 1,50 TM 170			
18B	24823302	1	Gear R. 2,04 TM 170			
18C	24824302	1	Gear R. 2.50 TM 170			
18D	24825302	1	Gear Red. 2,94 TM 170			
19	24820117	1	Bushing			
20	24820118	1	Ring			
21	24820121	1	Roller Bearing AXK-4060			
22	24820105	1	Washer			
23	24820104	1	Conical Roller Bearing 32307			
141	24810333	0	Spacer	#		



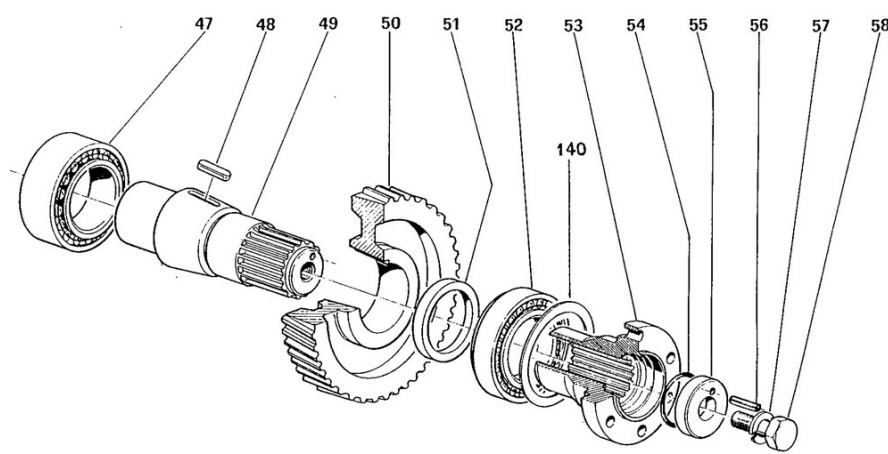
D_5027_3 Intermediate Shaft 3/4

Fig.	Ref.	Qty.	Descr.	Obs	From	UpTo
24	24820134	1	Conical Roller Bearing 32011-JR			
25	24810334	1	Plug			
26	24820330	1	Bell			
27	24820125	1	Washer			
28	24820124	1	Piston			
29	24820115	9	Disk			
30	24820116	8	Disk			
31	24810211	1	KEY			
32	24820126	1	Washer			
33	24820301	1	INTERMEDIATE Shaft			
34	24810328	2	Washer			
35	24810326	1	Plug			
36	24820122	1	Spring			
37	24820123	1	Bearing			
38	24820113	1	Grommet			
39	24820129	1	Ring			
40	24820128	1	SNAP Ring			
41A	24822302	1	Gear R. 1,50 TM 170			
41B	24823302	1	Gear R. 2,04 TM 170			
41C	24824302	1	Gear R. 2.50 TM 170			
41D	24825302	1	Gear Red. 2,94 TM 170			
42	24820117	1	Bushing			
43	24820118	1	Ring			
44	24820121	1	Roller Bearing AXK-4060			
45	24820105	1	Washer			
46	24820104	1	Conical Roller Bearing 32307			
141	24810333	0	Spacer	#		



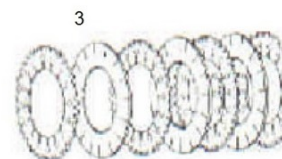
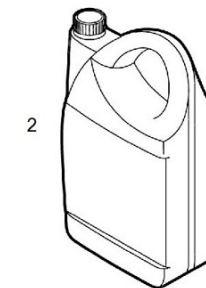
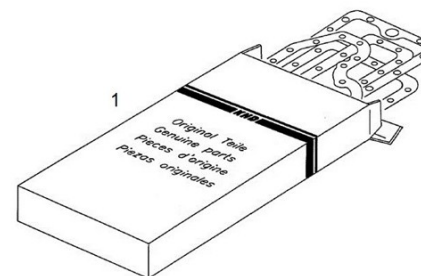
D_5027_4 Output Shaft 4/4

Fig.	Ref.	Qty.	Descr.	Obs	From	UpTo
47	24820206	1	Conical Roller Bearing 33210			
4950	24822201C	1	Gear+Output Shaft Kit+Spacer			
4950	24823201C	1	Gear+Output Shaft Kit+Spacer			
4950	24824201C	1	Gear+Output Shaft Kit+Spacer			
4950	24825201C	1	Gear+Output Shaft Kit+Spacer			
51	24820209	1	Spacer, Output Shaft			
52	24820212	1	Conical Roller Bearing 30210-J2/Q			
53	24820224	1	Flange, Output			
54	24820225	1	O-Ring D. 45X3,5			
55	24820219	1	BUTT Washer			
56	24820220	1	Pin			
57	24820221	1	Washer D.16			21/09/2018
57	53033016C	1	Washer			22/09/2018
58	24820222.1	1	Screw			
140	24820333.1	0	Shim	#		



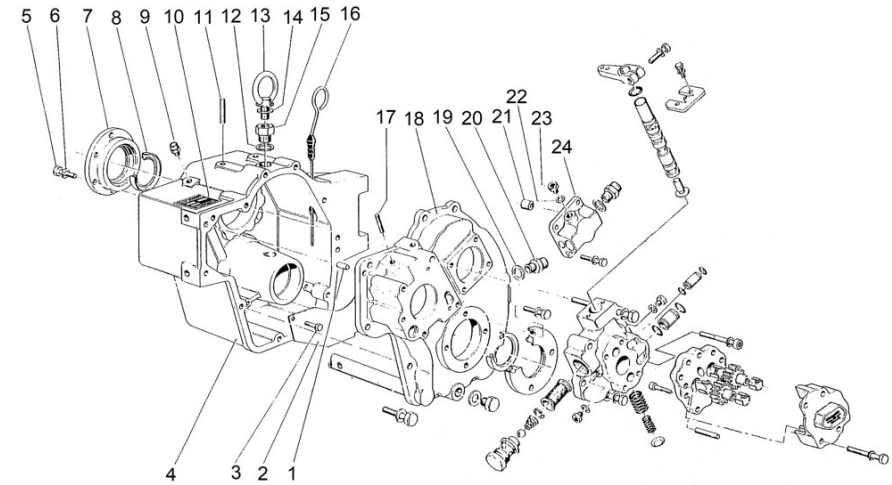
D_5027_5 Maintenance Kit

Fig.	Ref.	Qty.	Descr.	Obs	From	UpTo
1	24820401	1	Kit Gasket		15/06/2016	
1	24820401	1	Kit Gasket		15/06/2016	
2	A0105000	1	15W40 Sole Diesel Oil 5L		15/06/2016	
2	A0105000	1	15W40 Sole Diesel Oil 5L		15/06/2016	
3	24820403	2	Clutch Plate Kit		15/06/2016	
3	24820403	2	Clutch Plate Kit		15/06/2016	



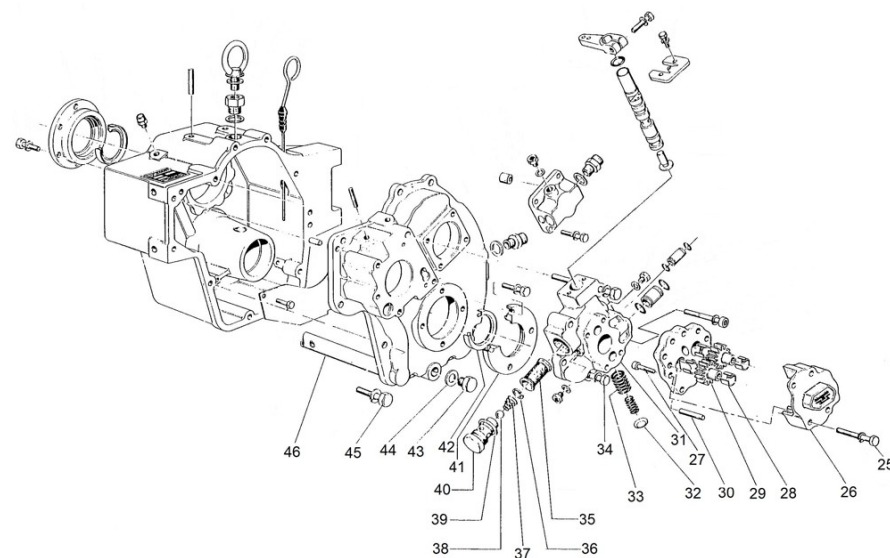
D_5026_1.1 Sheet 1.1/4

Fig.	Ref.	Qty.	Descr.	Obs	From	UpTo
1	24820090	2	Pin			
2	24816080	1	Plate Pipe			
3	24810082	2	Screw			
4	24816001	1	Front Body TM 880A			
5	24810047	6	Screw			
6	24810014	6	Washer			
7	24820072	1	Cover Input Shaft			
8	24820103	1	Oil Grommet			
9	24810065	1	Plug			
10	24820005.1	1	NAME Plate			
11	24810071	2	Stud			
12	56000083	1	Washer 21-26-1,5			
13	24810012	1	Nut			
14	24810063	1	Plane Washer			
15	24810068	1	Plug			
16	24810008	1	ROD, Oil LEVEL			
17	24820071	2	Stud			
18	24816002	1	REVERSE Body TM 880A			
19	24810059	1	Plane Washer			
20	24810060	1	Racord			
21	24810062	1	Valve BY PASS			
22	24820086	1	Washer			
23	24830105	1	Plug			
24	24820102	1	Cover, REAR			



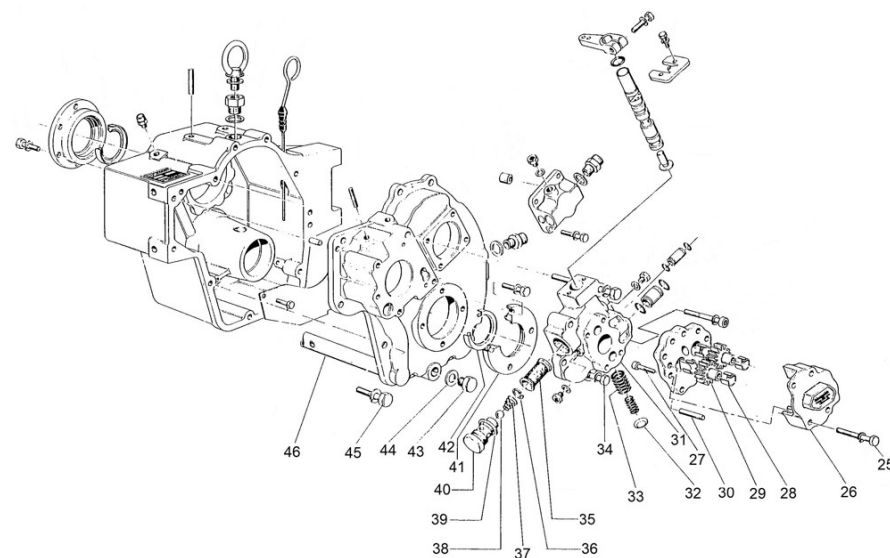
D_5026_1.2 Sheet 1.2/4

Fig.	Ref.	Qty.	Descr.	Obs	From	UpTo
25	24810013	4	Screw			
25	24810013	4	Screw			
26	24820015.1	1	Oil Pump Body			
26	24820015.1	1	Oil Pump Body			
27	24820025.1	3	Screw			
27	24820025.1	3	Screw			
28	24810025	4	Bushing			
28	24810025	4	Bushing			
29	24810096	1	Gear, Driver			
29	24810096	1	Gear, Driver			
30	24820023.1	2	Pin			
30	24820023.1	2	Pin			
31	24820026	1	Distributor Cap			
31	24820026	1	Distributor Cap			
32	24810055	1	Expansion Plug			
32	24810055	1	Expansion Plug			
33	24816054	1	Spring, Valve			
33	24816054	1	Spring, Valve			
34	24820098	2	Screw M10X50			
34	24820098	2	Screw M10X50			
35	24810035	1	Oil Filter			
35	24810035	1	Oil Filter			
36	24810032	1	SNAP Ring			
36	24810032	1	SNAP Ring			
37	24810030	1	Valve Spring			
37	24810030	1	Valve Spring			
38	18024143	1	Ball,steel 1/2"			
38	18024143	1	Ball,steel 1/2"			
39	24810027	1	Washer			
39	24810027	1	Washer			
40	24810024	1	Plug, Oil Filter DRAIN			



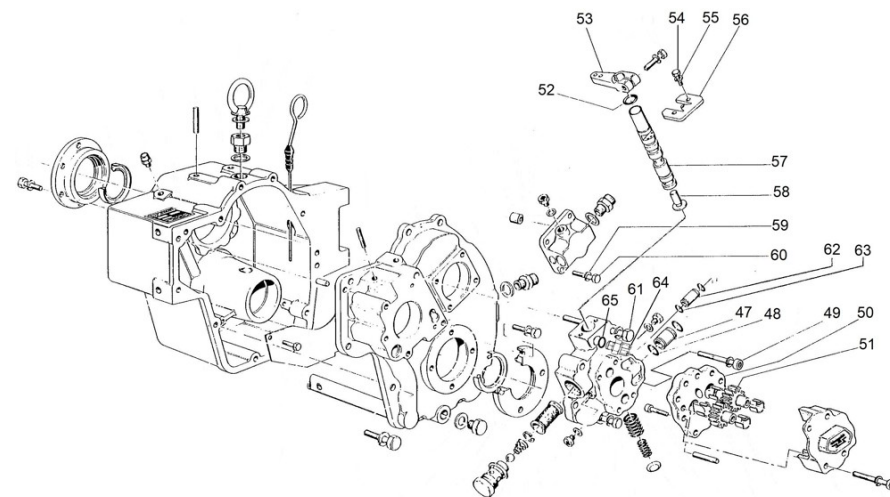
D_5026_1.2 Sheet 1.2/4

Fig.	Ref.	Qty.	Descr.	Obs	From	UpTo
41	24820208	1	Cover Front			
42	24820214	1	Grommet			
42	24820214	1	Grommet			
43	24810011	1	Plug,oil drain			
43	24810011	1	Plug,oil drain			
44	24810088	1	Plane Washer			
44	24810088	1	Plane Washer			
45	52101314	1	Bolt DIN 931 M10-55 8.8			
45	52101314	1	Bolt DIN 931 M10-55 8.8			
46	24816081	1	Aspiration Tube TM 880A			
46	24816081	1	Aspiration Tube TM 880A			
NS	52103311	9	Bolt DIN 912 M10-40 8.8			
NS	52103311	9	Bolt DIN 912 M10-40 8.8			



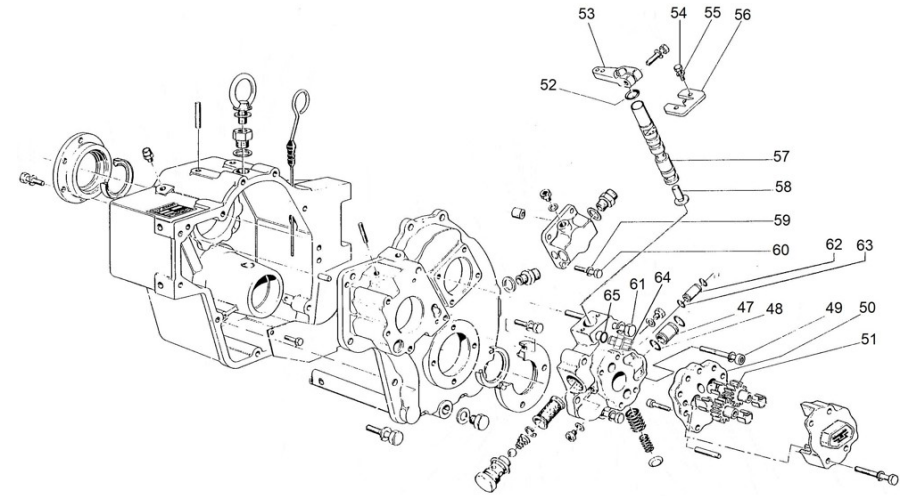
D_5026_1.3 Sheet 1.3/4

Fig.	Ref.	Qty.	Descr.	Obs	From	UpTo
47	24820062	2	Tube, Racord			
47	24820062	2	Tube, Racord			
48	24820063	2	O-Ring D. 15X1,7			
48	24820063	2	O-Ring D. 15X1,7			
49	24820013	2	Screw M10X30			
49	24820013	2	Screw M10X30			
50	24810026.1	3	Cover			
50	24810026.1	3	Cover			
51	24810095	3	Gear, Driven			
51	24810095	3	Gear, Driven			
52	24810056	1	O-Ring			
52	24810056	1	O-Ring			
53	24810424	1	Lever			
53	24810424	1	Lever			
54	24810044	2	Screw			
54	24810044	2	Screw			
55	24810042	2	Washer			
55	24810042	2	Washer			
56	24810041	1	Support			
56	24810041	1	Support			
57	24810051	1	Distributor			
57	24810051	1	Distributor			
58	24810052	1	Valve			
58	24810052	1	Valve			
59	24820075	4	Washer			
59	24820075	4	Washer			
60	24820076	4	Screw M10X30			
60	24820076	4	Screw M10X30			
61	24820087	1	Screw M10X130			
61	24820087	1	Screw M10X130			
62	24820060	1	Tube, Racord			



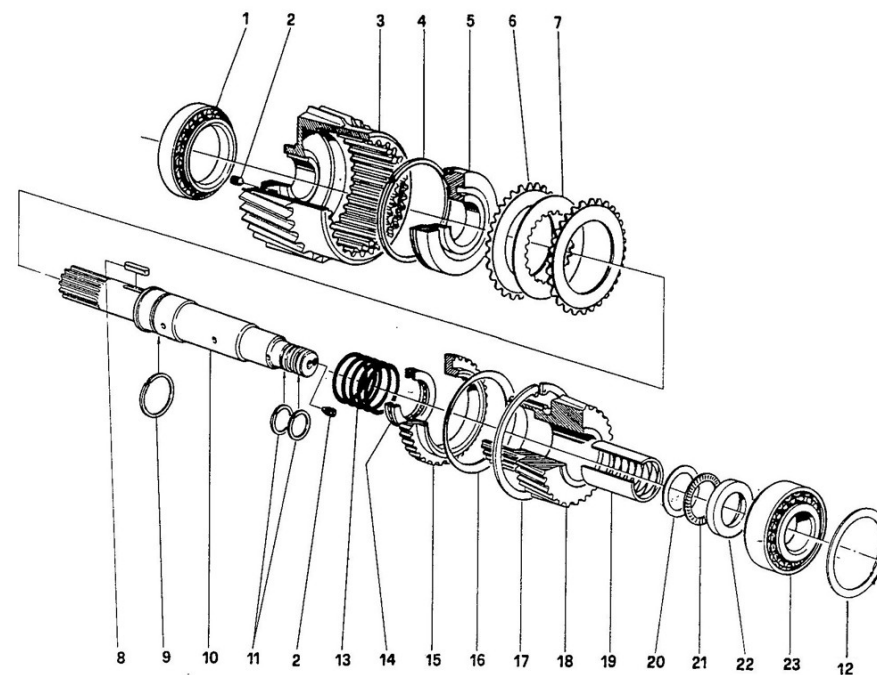
D_5026_1.3 Sheet 1.3/4

Fig.	Ref.	Qty.	Descr.	Obs	From	UpTo
63	24820059	2	O-Ring D. 10X1,7			
64	24810048	1	GR. Crazy Switch			
64	24810048	1	GR. Crazy Switch			
65	24810533	1	O-Ring D. 14X1,7			
65	24810533	1	O-Ring D. 14X1,7			



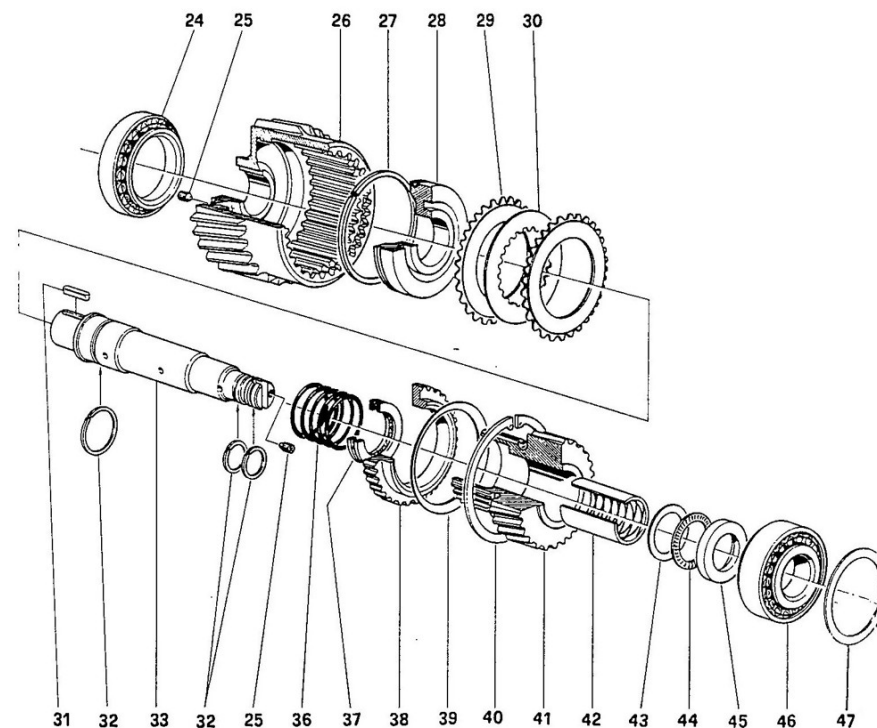
D_5026_2 Input Shaft 2/4

Fig.	Ref.	Qty.	Descr.	Obs	From	UpTo
1	24820134	1	Conical Roller Bearing 32011-JR			
2	24810326	2	Plug			
3	24820130	1	Bell			
4	24820125	1	Washer			
5	24820124	1	Piston			
6	24820115	9	Disk			
7	24820116	8	Disk			
8	24810211	1	KEY			
9	24820126	1	Washer			
10	24820101	1	Input Shaft			
11	24810328	2	Washer			
12	24810333	0	Spacer	#		
13	24820122	1	Spring			
14	24820123	1	Bearing			
15	24820113	1	Grommet			
16	24820129	1	Ring			
17	24820128	1	SNAP Ring			
18A	24822302	1	Gear R. 1,50 TM 170			
18B	24823302	1	Gear R. 2,04 TM 170			
18C	24824302	1	Gear R. 2.50 TM 170			
19	24820117	1	Bushing			
20	24820118	1	Ring			
21	24820121	1	Roller Bearing AXK-4060			
22	24820105	1	Washer			
23	24820104	1	Conical Roller Bearing 32307			



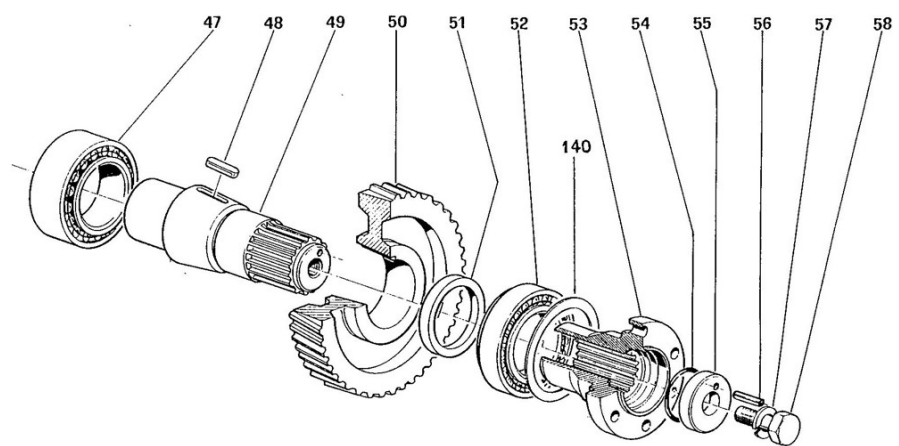
D_5026_3 Intermediate Shaft 3/4

Fig.	Ref.	Qty.	Descr.	Obs	From	UpTo
24	24820134	1	Conical Roller Bearing 32011-JR			
25	24810326	2	Plug			
26	24820330	1	Bell			
27	24820125	1	Washer			
28	24820124	1	Piston			
29	24820115	9	Disk			
30	24820116	8	Disk			
31	24810211	1	KEY			
32	24820126	2	Washer			
33	24820301	1	INTERMEDIATE Shaft			
36	24820122	1	Spring			
37	24820123	1	Bearing			
38	24820113	1	Grommet			
39	24820129	1	Ring			
40	24820128	1	SNAP Ring			
41A	24822302A	1	Gear R. 1,53 TM 170A			
41B	24823302A	1	Gear R. 2,08 TM 170A			
41C	24824302A	1	Gear R. 2,60 TM 170A			
42	24820117	1	Bushing			
43	24820118	1	Ring			
44	24820121	1	Roller Bearing AXK-4060			
45	24820105	1	Washer			
46	24820104	1	Conical Roller Bearing 32307			
47	24810333	0	Spacer	#		



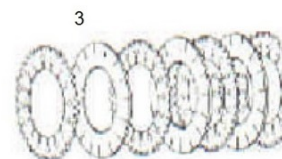
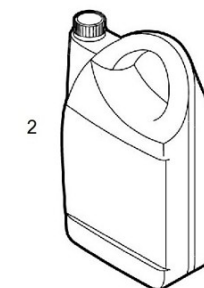
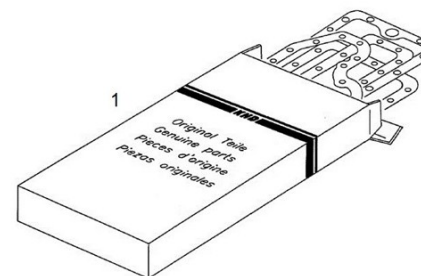
D_5026_4 Output Shaft 4/4

Fig.	Ref.	Qty.	Descr.	Obs	From	UpTo
47	24820206	1	Conical Roller Bearing 33210			
4851	24822201AC	1	Gear+Output Shaft Kit+Spacer			
4851	24823201AC	1	Gear+Output Shaft Kit+Spacer			
4851	24824201AC	1	Gear+Output Shaft Kit+Spacer			
52	24820212	1	Conical Roller Bearing 30210-J2/Q			
53	24820224	1	Flange, Output			
54	24820225	1	O-Ring D. 45X3,5			
55	24820219	1	BUTT Washer			
56	24820220	1	Pin			
57	24820221	1	Washer D.16			
58	24820222.1	1	Screw			
140	24820333.1	0	Shim	#		



D_5027_5 Maintenance Kit

Fig.	Ref.	Qty.	Descr.	Obs	From	UpTo
1	24820401	1	Kit Gasket		15/06/2016	
1	24820401	1	Kit Gasket		15/06/2016	
2	A0105000	1	15W40 Sole Diesel Oil 5L		15/06/2016	
2	A0105000	1	15W40 Sole Diesel Oil 5L		15/06/2016	
3	24820403	2	Clutch Plate Kit		15/06/2016	
3	24820403	2	Clutch Plate Kit		15/06/2016	



D_5020_1 Housing 1/4

Fig.	Ref.	Qty.	Descr.	Obs	From	UpTo
1	24830002	1	REVERSE Body			
2	24820076	26	Screw M10X30			
3	24830517	3	Washer			
4	24830008	1	ROD, LEVEL Oil			
5	24830012	1	Cover, Upper			
6	24840040	12	Screw			
7	24830013	1	Plug			
8	24830015	1	Gasket			
9	24830016	1	Washer			
10	24830017	1	Plug			
11	24830018	2	Plug			
12	24830019	3	Washer			
13	24830028	1	Ball			
14	24810032	1	SNAP Ring			
15	24810030	1	Valve Spring			
16	24830106	2	Screw			
17	24830109	1	O-Ring D. 18X1,8			
NS	24820090	2	Pin			
NS	24830031	1	Plug			
NS	24830035	2	Washer			

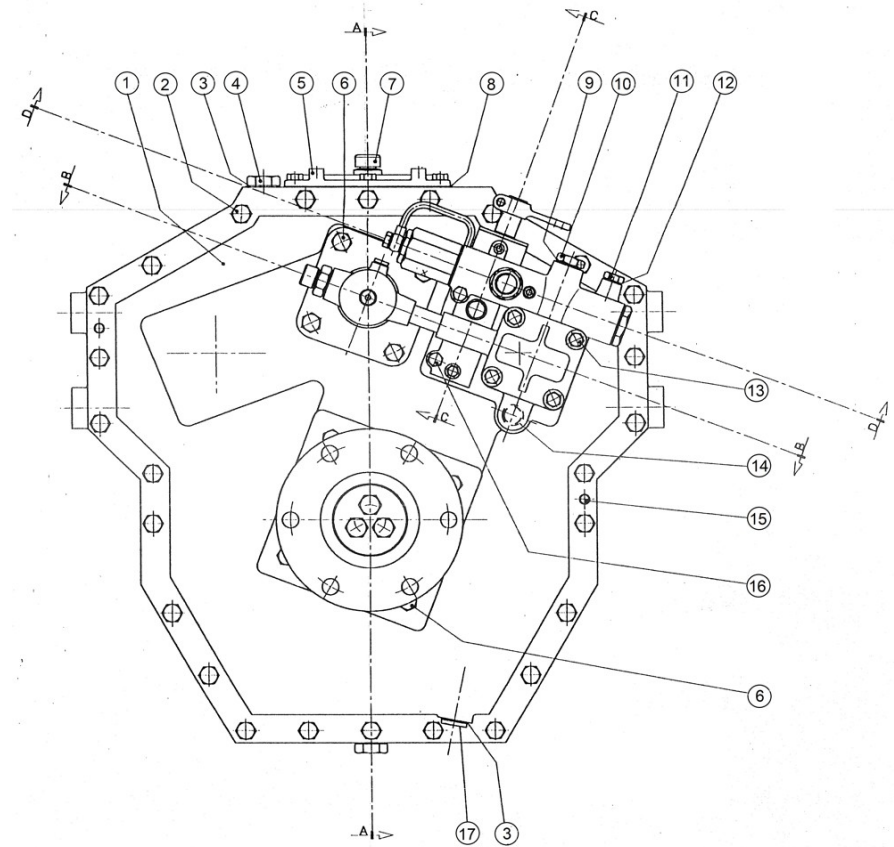


Fig.	Ref.	Qty.	Descr.	Obs	From	UpTo
6	24840040	12	Screw			
13	24820075	6	Washer			
14	24820086	7	Washer			
15	24830020	5	Screw			
16	24830021	2	Nut			
17	24830022	2	Washer			
18	24830091	2	Screw			
19	24830130	1	Bell			
20	24830124	2	Piston			
21	24830108	2	Shim Adjusting			
22	24830131	2	KEY			
23	24840127	2	Plug			
24	24830102	1	Cover			
25	24830105	1	Plug			
26	24830112	1	O-Ring D. 95X3,5			
27	24830213	1	Washer			
28	24830212	1	Spacer			
29	24830206	2	Conical Roller Bearing 32314			
30	24830225	1	O-Ring D. 65X3,5			
31	24830219	1	BUTT Washer			
32	24830222	3	Screw			
33	24840010.3	2	Washer 12			
34	24830223	2	Washer			
35	24830224	1	Flange, Output			
36	24830214	1	Seal			
37	24830208	1	Cover, Output Shaft			
38	24830228	1	O-Ring D. 150X2,6			
39	24830011	1	Plug			
40	24830226	1	Nut			
41A	24836210	1	Gear R. 3,60 TM 200			
41B	24837210	1	Gear R. 4,48 TM 200			

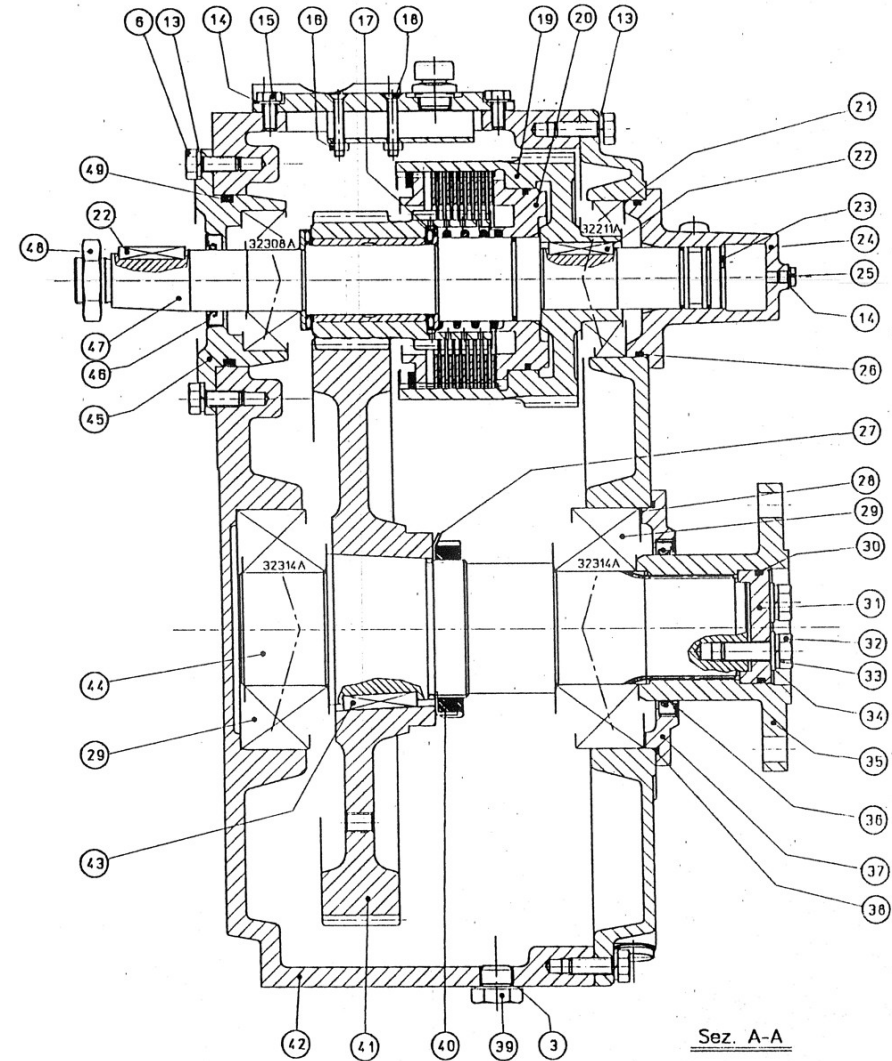


Fig.	Ref.	Qty.	Descr.	Obs	From	UpTo
42	24830001	1	FRONT BODY			
43	24830211	1	KEY			
44	24830201	1	Output Shaft			
45	24830107	1	Cover			
46	24830103	1	Seal			
47	24830101	1	Input Shaft			
48	24830132	1	Nut			
49	24830133	1	O-Ring D. 105X5,3			

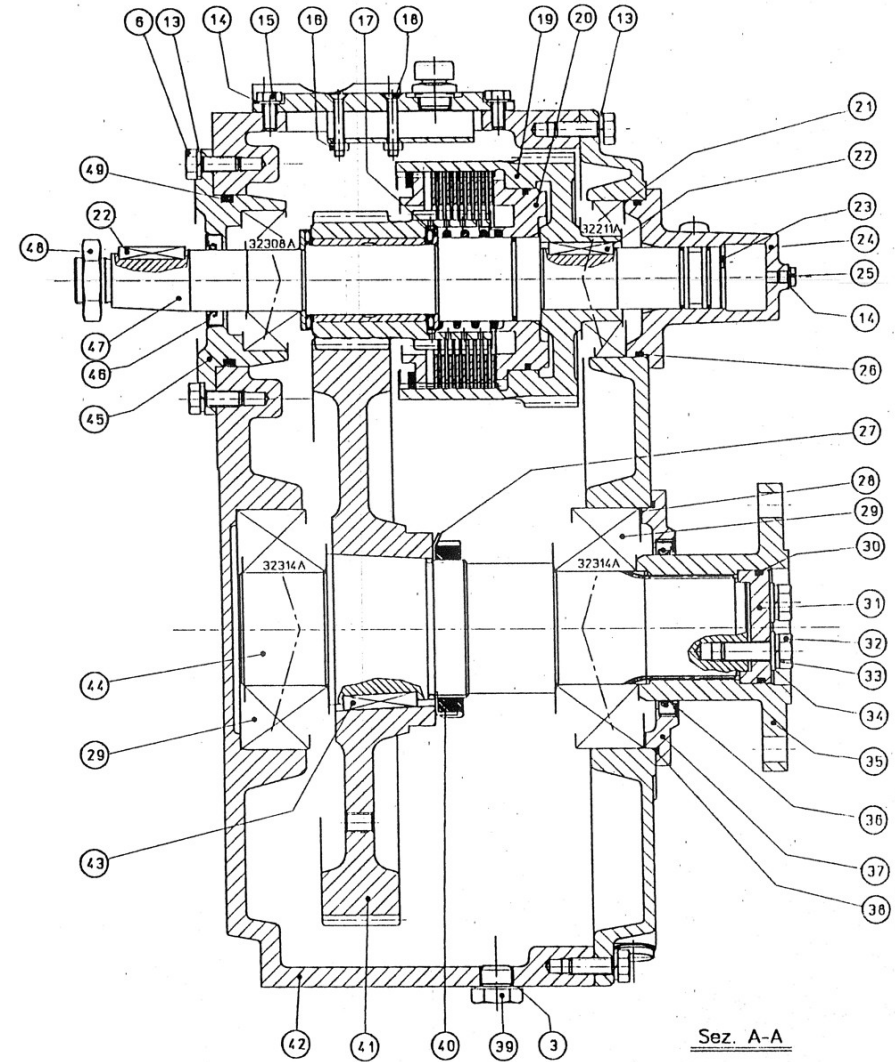
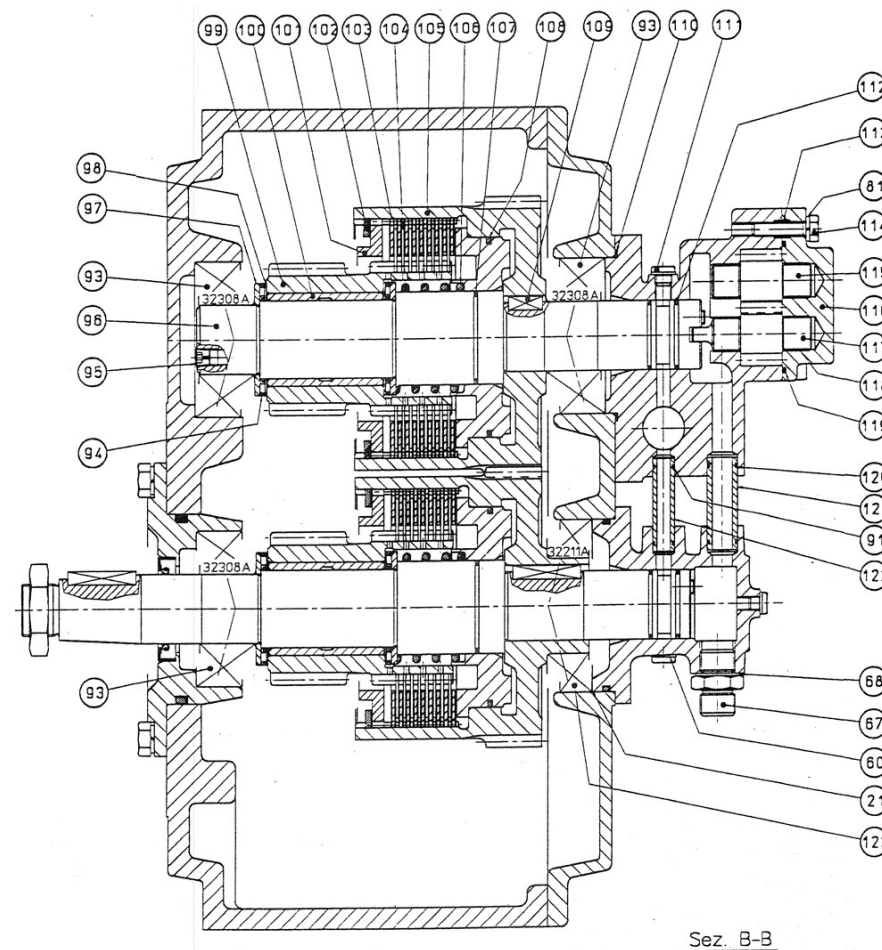
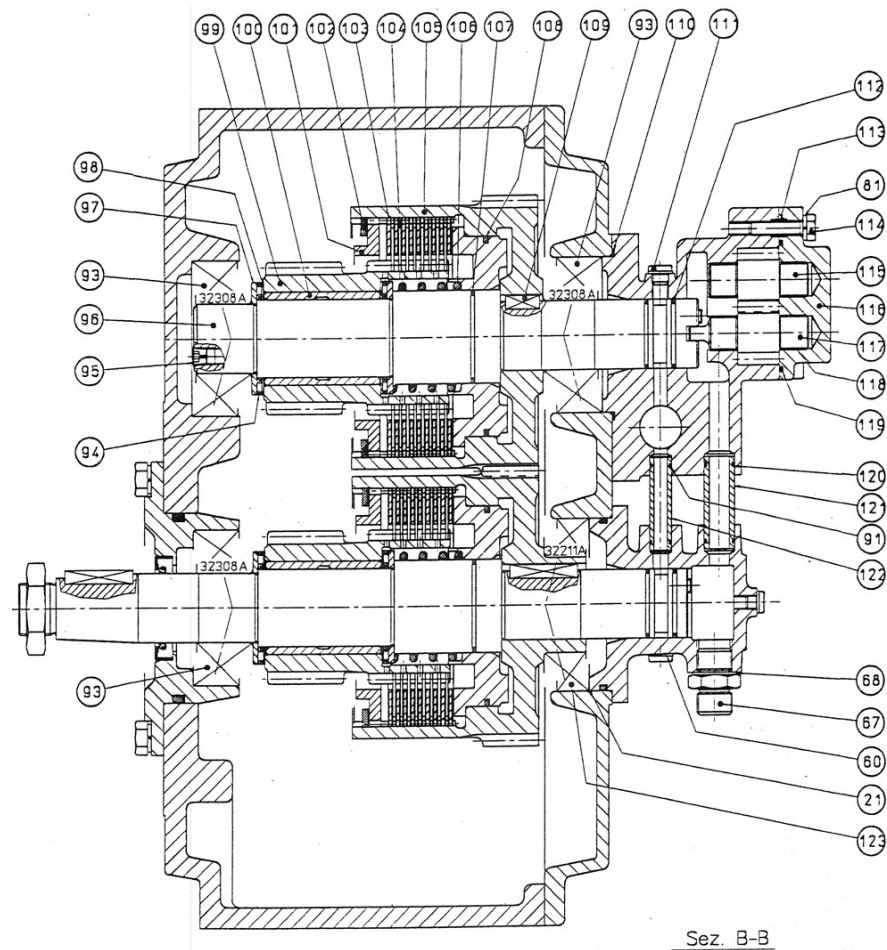


Fig.	Ref.	Qty.	Descr.	Obs	From	UpTo
21	24846108	2	Spacer			
60	24810063	6	Plane Washer			
67	24810060	2	Racord			
68	24810059	2	Plane Washer			
81	24810014	6	Washer			
91	24820059	6	O-Ring D. 10X1,7			
93	24830104	3	Conical Roller Bearing 32308			
94	24830110	4	Roller Bearing AXK-4565			
95	24830111	1	Plug			
96	24830301	1	INTERMEDIATE Shaft			
97	24830307	2	Ring			
98	24830310	4	Ring			
99A	24836302	2	Gear R. 3,60 TM 200			
99B	24837302	2	Gear R. 4,48 TM 200			
100	24830317	2	Bushing			
101	24830309	2	Bushing			
102	24830312	2	SNAP Ring			
103	24840115	18	Conduct DISK			
104	24840116	16	ConductOR Disk			
105	24830330	1	Bell			
106	24840322	2	Spring			
107	24840126	2	Washer			
108	24830323	2	Washer			
109	24830329	1	KEY			
110	24830322	1	O-Ring D. 95X1,8			
111	24840039	2	Plug			
112	24810323	4	Washer			
113	24830026	1	Bushing			
114	24830025	2	Screw			
115	24830095	1	Gear ConductOR			
116	24830094	1	Pump Cover			



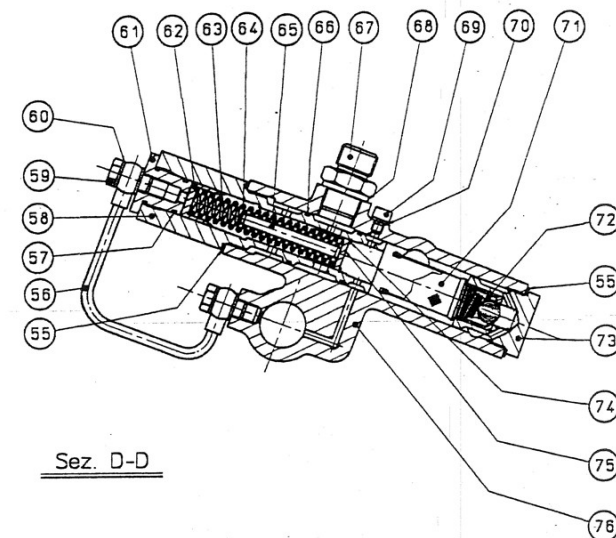
Sez. B-B

Fig.	Ref.	Qty.	Descr.	Obs	From	UpTo
117	24830096	1	Gear, Conduct			
118	24830027	4	Bushing			
119	24830063	1	O-Ring D. 75X2,6			
120	24820063	2	O-Ring D. 15X1,7			
121	24830062	1	Tube, Racord			
122	24830060	1	Tube, Racord			
123	24830068	3	Plug			
123	24830070	1	Conical Roller Bearing 32211-A			

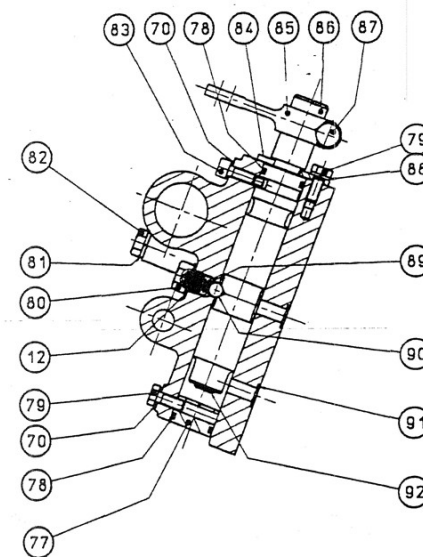


D_5020_4 Sheet 4/4

Fig.	Ref.	Qty.	Descr.	Obs	From	UpTo
12	24830019	3	Washer			
55	24830113	1	Screw			
56	24830034	1	Tube, Racord			
57	24830036	1	O-Ring D. 16X1,8			
58	24830033	1	Valve Body			
59	24830083	2	Plug			
60	24810063	6	Plane Washer			
61	24830038	1	Plug			
62	24830052	1	Valve			
63	24830053	1	Spring, INNER Valve			
64	24830054	1	Spring, Valve			
65	24830055	1	INNER Screw			
66	24830045	2	O-Ring D. 28X1,8			
67	24810060	2	Racord			
68	24810059	2	Plane Washer			
69	24810028	1	Screw			
70	24810036	3	Washer			
71	24810035	1	Oil Filter			
72	24810062	1	Valve BY PASS			
73	24830056	1	Valve Plug			
74	24830032	1	SNAP Ring			
75	24830057	1	Valve			
76	24830051	1	DISTRIBUTOR Body			
77	24830039	1	Plug			
78	24830059	2	O-Ring D. 22X2,6			
79	24810044	3	Screw			
80	24830064	1	Screw			
81	24810014	2	Washer			
82	24810040	1	Screw			
83	24830040	1	Screw			
84	24830041	1	Bracket			

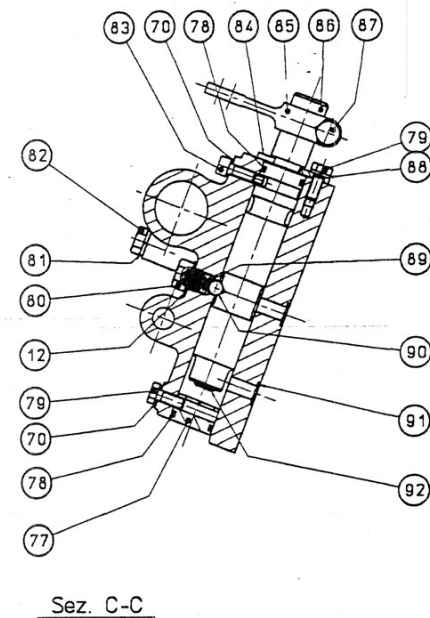
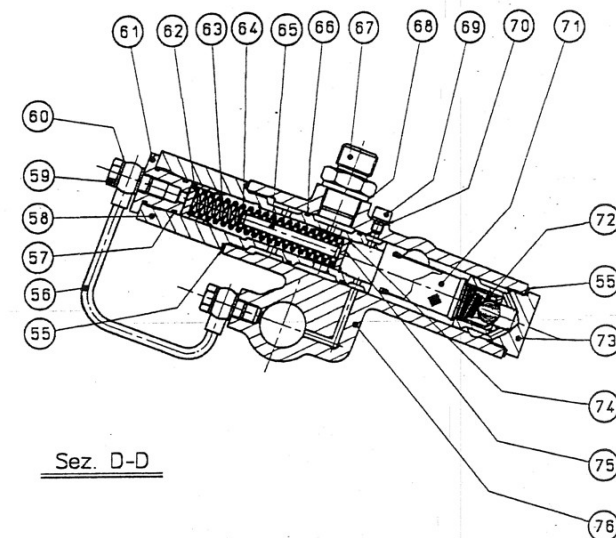


Sez. D-D



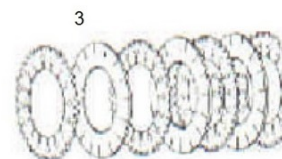
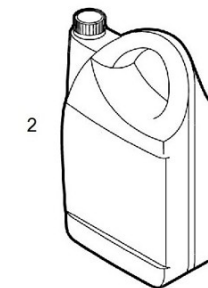
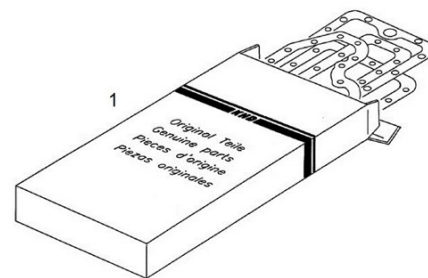
Sez. C-C

Fig.	Ref.	Qty.	Descr.	Obs	From	UpTo
85	24810424	1	Lever			
86	24830050	1	Distributor			
87	24810047	1	Screw			
88	24810042	1	Washer			
89	24830030	1	Spring			
90	24830029	1	Ball			
91	24820059	4	O-Ring D. 10X1,7			



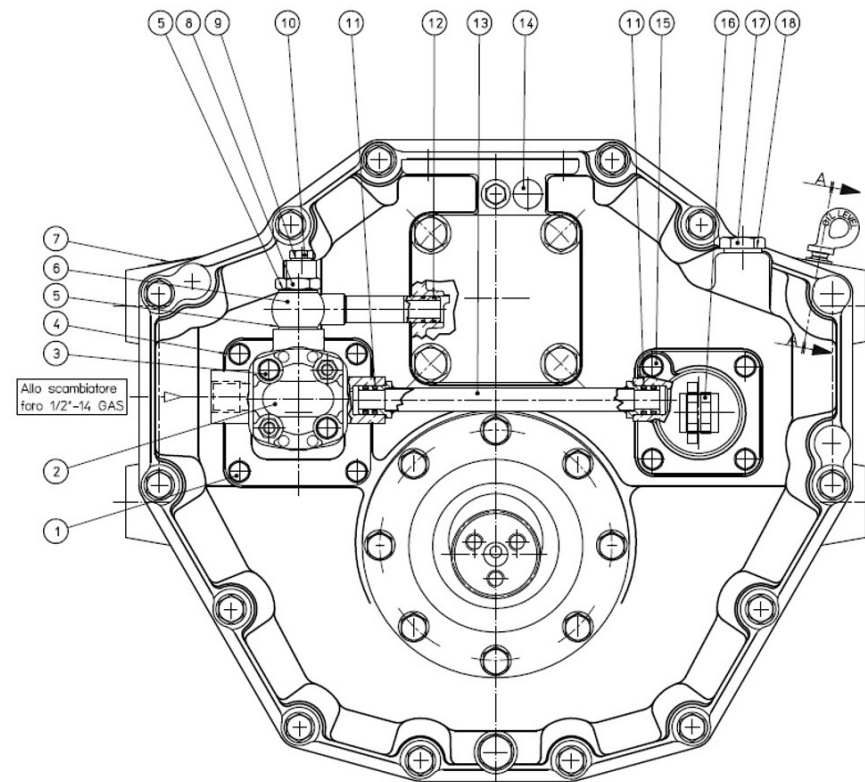
D_5020_5 Maintenance Kit

Fig.	Ref.	Qty.	Descr.	Obs	From	UpTo
1	24830401	1	Kit Gasket			
2	A0105000	1	15W40 Sole Diesel Oil 5L			
3	24830403	2	Clutch Plate Kit			



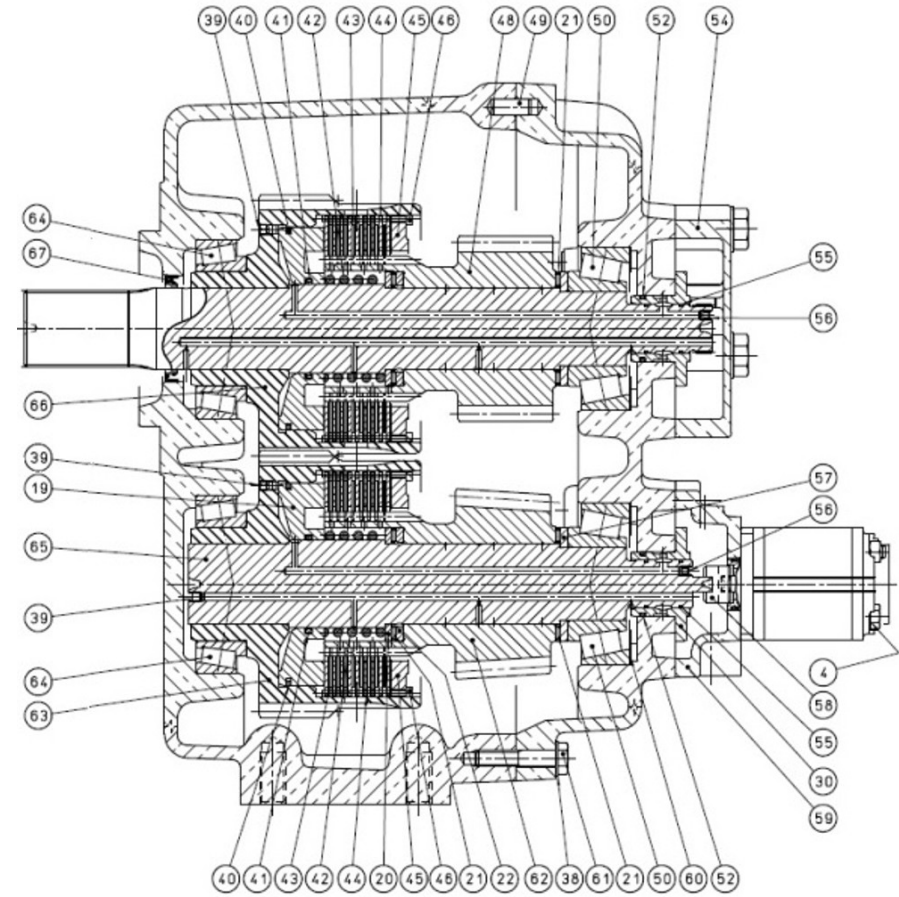
D_5038_1 Housing 1/4

Fig.	Ref.	Qty.	Descr.	Obs	From	UpTo
1	24830106	11	Screw			
2	24846043	1	Heat exchanger kit			
3	24846040	2	Screw			
4	24850093	10	Washer			
5	24810059	2	Plane Washer			
6	24846082	1	Tube			
7	24850005	1	Plate, IDENTIFICATION			
8	24846531	1	Screw, Racord			
9	24810063	6	Plane Washer			
10	24850011	1	Plug,oil drain			
11	24810056	4	O-Ring			
12	24820063	2	O-Ring D. 15X1,7			
13	24846081	1	Tube			
14	24810062	1	Valve BY PASS			
15	24810098	1	Screw			
16	24820005.1	1	NAME Plate			
17	24830011	1	Plug			
18	24846510	1	Washer			



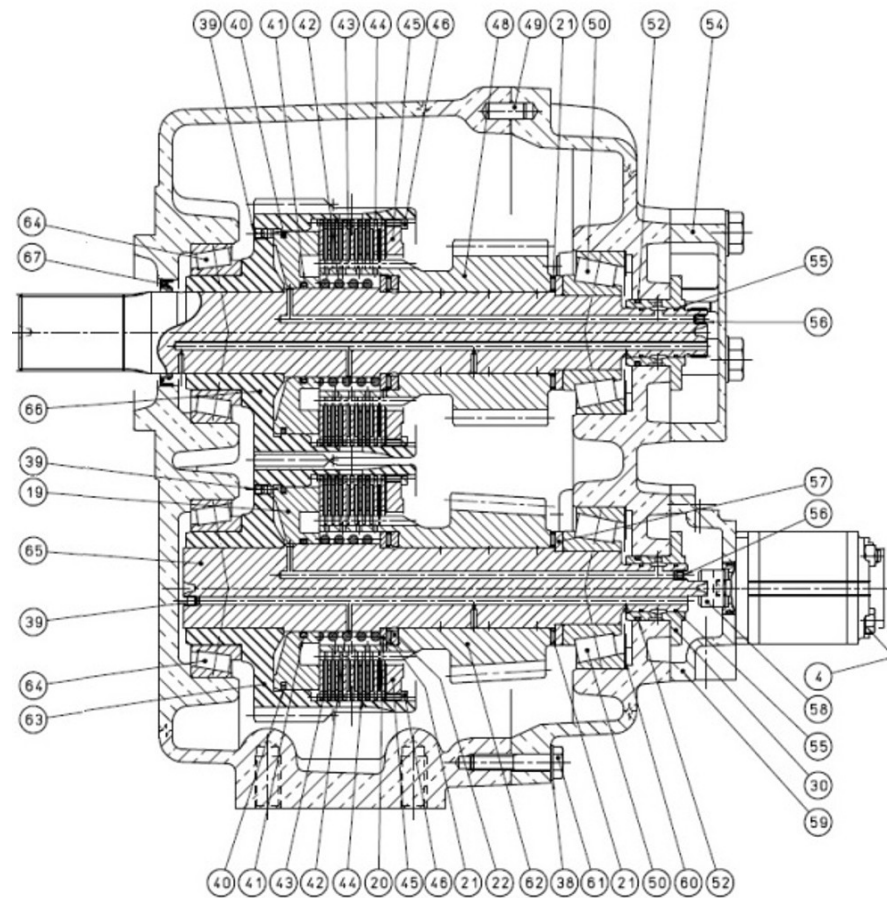
D_5038_2 Sheet 2/4

Fig.	Ref.	Qty.	Descr.	Obs	From	UpTo
4	24850093	10	Washer			
19	24846124	2	Piston			
20	24846310	2	Washer			
21	24846110	4	Bearing			
22	24846318	2	Washer			
23	24846083	2	Screw, Racord			
30	24846500	2	Bushing			
38	24840010.6	22	Washer 10			
39	24846056	3	Plug			
40	24840125	2	Washer			
41	24846501	2	O-Ring			
42	24840122	2	Spring			
43	24840116	16	ConductOR Disk			
44	24840115	18	Conduct DISK			
45	24846113	2	Seal			
46	24830312	2	SNAP Ring			
48A	24846209	1	Gear Ratio 1,44			
48B	24846210	1	Gear Ratio 2			
48C	24846211	1	Gear Ratio 2,3			
49	24820090	2	Pin			
50	24840104	2	Conical Roller Bearing 32309			
52	24860417	2	O-Ring			
54	24846213	1	Rear Cover Shaft			
55	24810328	4	Washer			
56	24810506	2	Screw			
57	24846304	2	Spacer			
58	24846303	1	Cover			
59	24846104	1	Cover			
60	24846108	6	Spacer			
61	24846098	14	Screw			
62A	24846203	1	Gear Ratio 1,44			



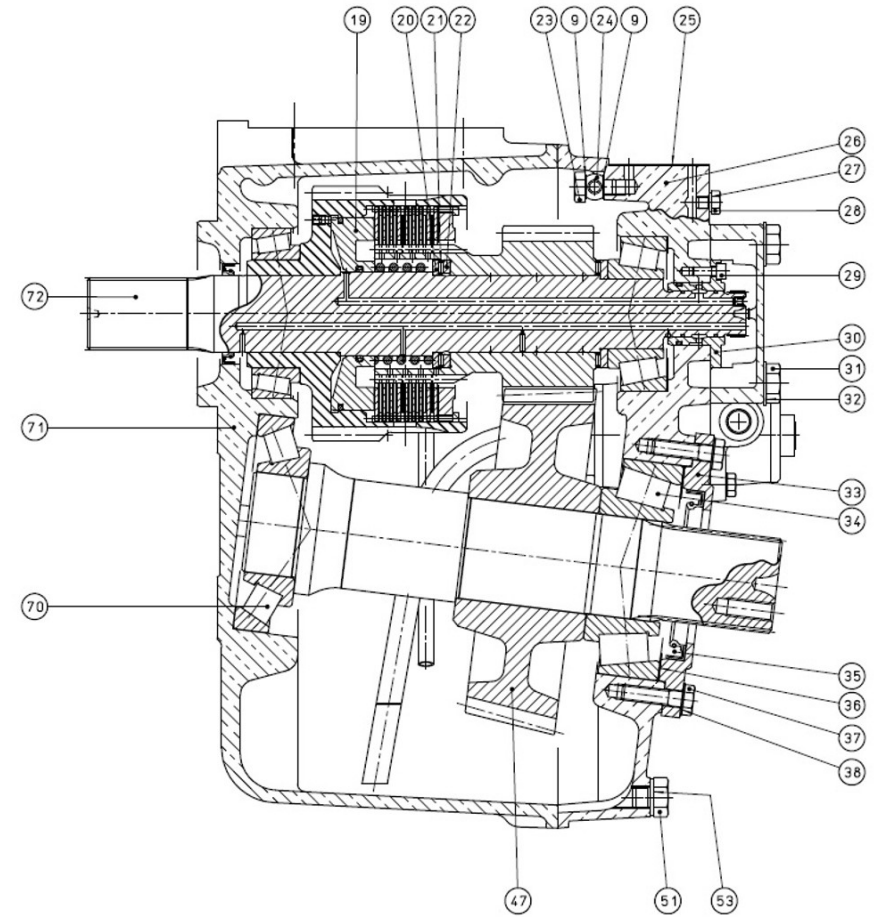
D_5038_2 Sheet 2/4

Fig.	Ref.	Qty.	Descr.	Obs	From	UpTo
62B	24846204	1	Gear Ratio 2			
62C	24846205	1	Gear Ratio 2,3			
63	24846058	1	Clutch Plate			
64	24846207	2	Bearing			
65	24846201	1	Output Shaft			
66	24846057	1	Clutch Plate			
67	24846215	1	Seal			



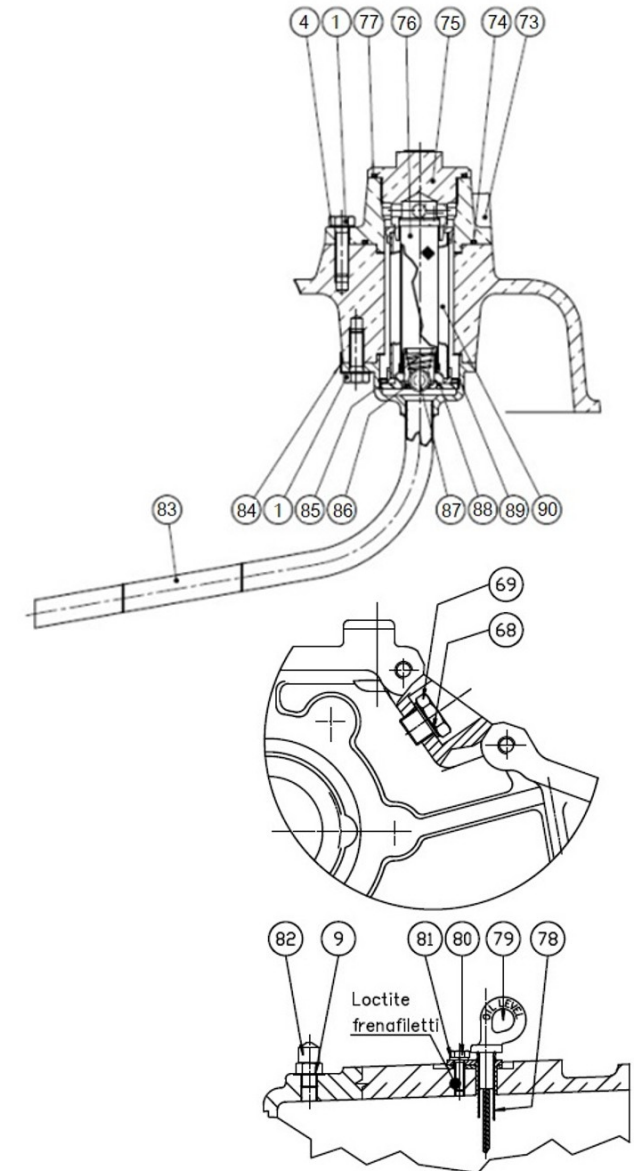
D_5038_3 Sheet 3/4

Fig.	Ref.	Qty.	Descr.	Obs	From	UpTo
9	24810063	6	Plane Washer			
19	24846124	2	Piston			
20	24846310	2	Washer			
21	24846110	4	Bearing			
22	24846318	2	Washer			
23	24846083	2	Screw, Racord			
24	24846085	1	Tube			
25	24846015	1	Gasket			
26	24846102	1	Cover			
27	24820086	1	Washer			
28	24820068	1	Plug M8X1			
29	24846044	6	Screw			
30	24846500	2	Bushing			
31	24846022	4	Screw			
32	24846092	4	Washer			
33	24846208	1	Cover			
34	24846206	1	Bearing			
35	24846999	1	Seal			
36	24846217	3	Spacer			
37	24840010.7	8	Screw M10X40			
38	24840010.6	22	Washer 10			
47	24846201C	1	Output Shaft Kit			
51	24810011	1	Plug,oil drain			
53	24810088	1	Plane Washer			
70	24846212	1	Bearing			
71	24846001	1	Case			
72	24846101	1	Primary Shaft			



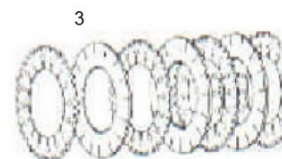
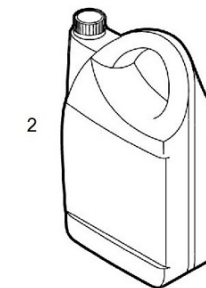
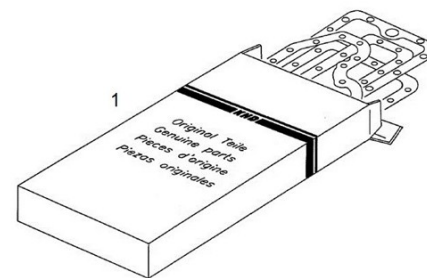
D_5038_4 Sheet 4/4

Fig.	Ref.	Qty.	Descr.	Obs	From	UpTo
1	24830106	11	Screw			
4	24850093	10	Washer			
9	24810063	6	Plane Washer			
68	24830016	1	Washer			
69	24830017	1	Plug			
73	24846007	1	Oil Filter Cover			
74	24846111	1	O-Ring			
75	24846024	1	Plug			
76	24846035	1	Oil Filter			
77	24846009	1	O-Ring			
78	24846529	1	Tube Gauge Oil Level			
79	24846008	1	Gauge Oil Level			
80	24846076	1	Screw			
81	24810042	1	Washer			
82	24810065	1	Plug			
83	24846084	1	Pipe,inlet			
84	24846023	4	Washer			
85	24810030	1	Valve Spring			
86	24846103	1	Cover			
87	24846029	1	Ball			
88	24846006	1	Filter Cover			
89	24846025	1	Washer			
90	24846036	1	Oil Filter			



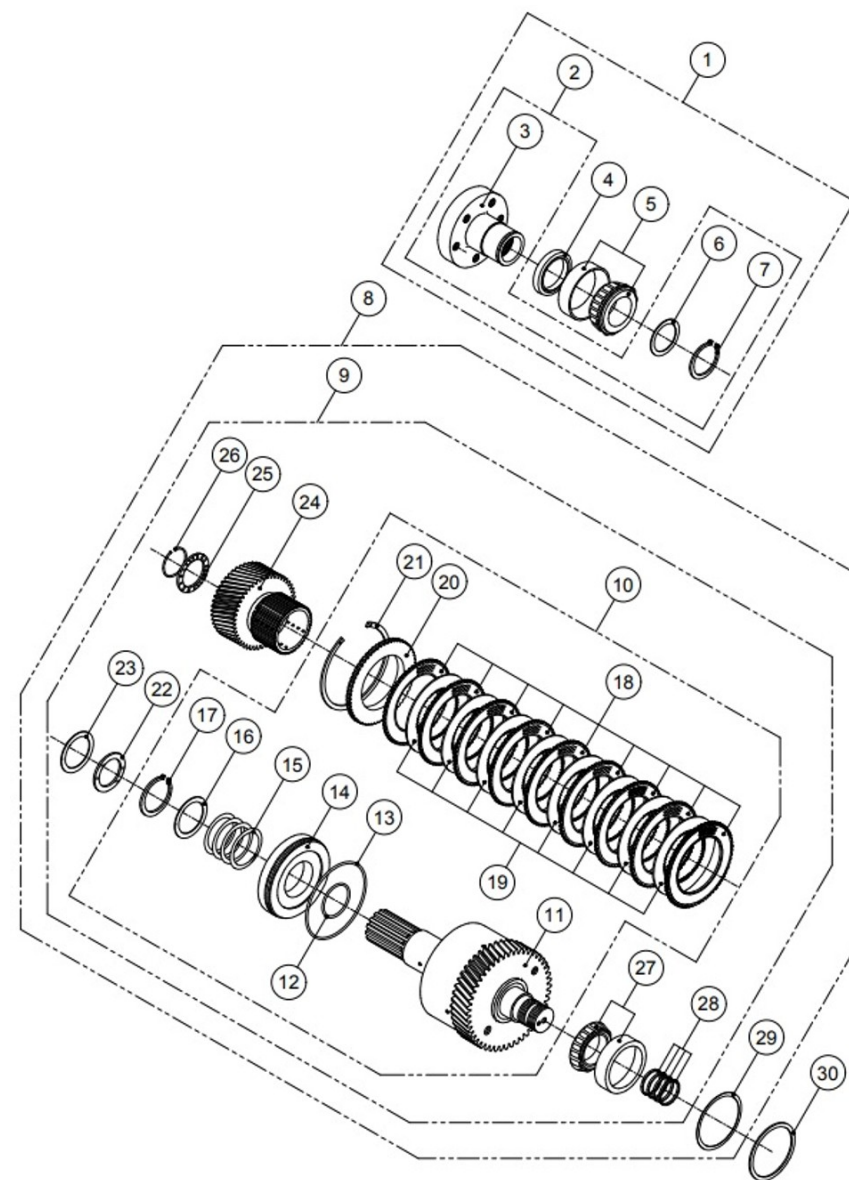
D_5038_5 Maintenance Kit

Fig.	Ref.	Qty.	Descr.	Obs	From	UpTo
1	24846401	1	Gasket and Seal Kit TM-1200A			
2	A0105000	1	15W40 Sole Diesel Oil 5L			
3	24846403	2	Clutch Plate Kit TM-1200A			



D_0313_1 Sheet 1/9

Fig.	Ref.	Qty.	Descr.	Obs	From	UpTo
1	DST100008	1	Input Coupling Ass'Y			
2	DAS100008	1	Input Coupling Ass'Y			
3	D100007	1	Input Coupling Ass'Y			
4	DD06509010	1	Seal, Oil			
5	D32211J	1	Bearing, Taper Roller			
6	D100010	1	Spacer			
7	D100019	1	Ring, Snap External			
8A	DAS100100A	1	Input Shaft Group G.R 5.29			
8B	DAS100100B	1	Input Shaft Group G.R 5.95			
8C	DAS100100C	1	Input Shaft Group G.R 4.07			
8D	DAS100100D	1	Input Shaft Group G.R 4.50			
8E	DAS100100E	1	Input Shaft Group G.R 4.95			
9A	D100100A	1	Input Shaft Group G.R 5.29			
9B	D100100B	1	Input Shaft Group G.R 5.95			
9C	D100100C	1	Input Shaft Group G.R 4.07			
9D	D100100D	1	Input Shaft Group G.R 4.50			
9E	D100100E	1	Input Shaft Group G.R 4.95			
10	D100100	1	Input Shaft Ass'Y			
11	DAS100101	1	Input Shaft Sub Ass'Y			
12	D70104	1	O-Ring			
13	D70106	1	O-Ring			
14	D70105	1	Piston, Clutch			
15	43301019	1	Spring			
16	43301018	1	Washer			
17	43301017	1	Ring, Snap External			
18	D100109	9	Plate, Sintered			
19	D100110	8	Plate, Steel			
20	43301014	1	Plate, Back			
21	D11527	1	Ring, Snap Internal			
22	D70117	1	Washer, Thrust			
23	D100116	1	Washer, Thrust			



D_0313_1 Sheet 1/9

Fig.	Ref.	Qty.	Descr.	Obs	From	UpTo
24A	D100108A	1	Pinion, Ass'Y G.R 5.29			
24B	D100108B	1	Pinion, Ass'Y G.R 5.95			
24C	D100108C	1	Pinion, Ass'Y G.R 4.07			
24D	D100108D	1	Pinion, Ass'Y G.R 4.50			
24E	D100108E	1	Pinion, Ass'Y G.R 4.95			
25	D100120	1	Washer, Thrust			
26	43301006	1	Retainer			
27	43301010	1	Bearing, Taper Roller			
28	D050120	4	Ring, Oil Seal			
29A	43301024	0	Shim	#		
29B	43301025	5	Shim			
29C	43301026	0	Shim	#		
30A	43300027	1	Spacer			
30B	43300028	1	Spacer			

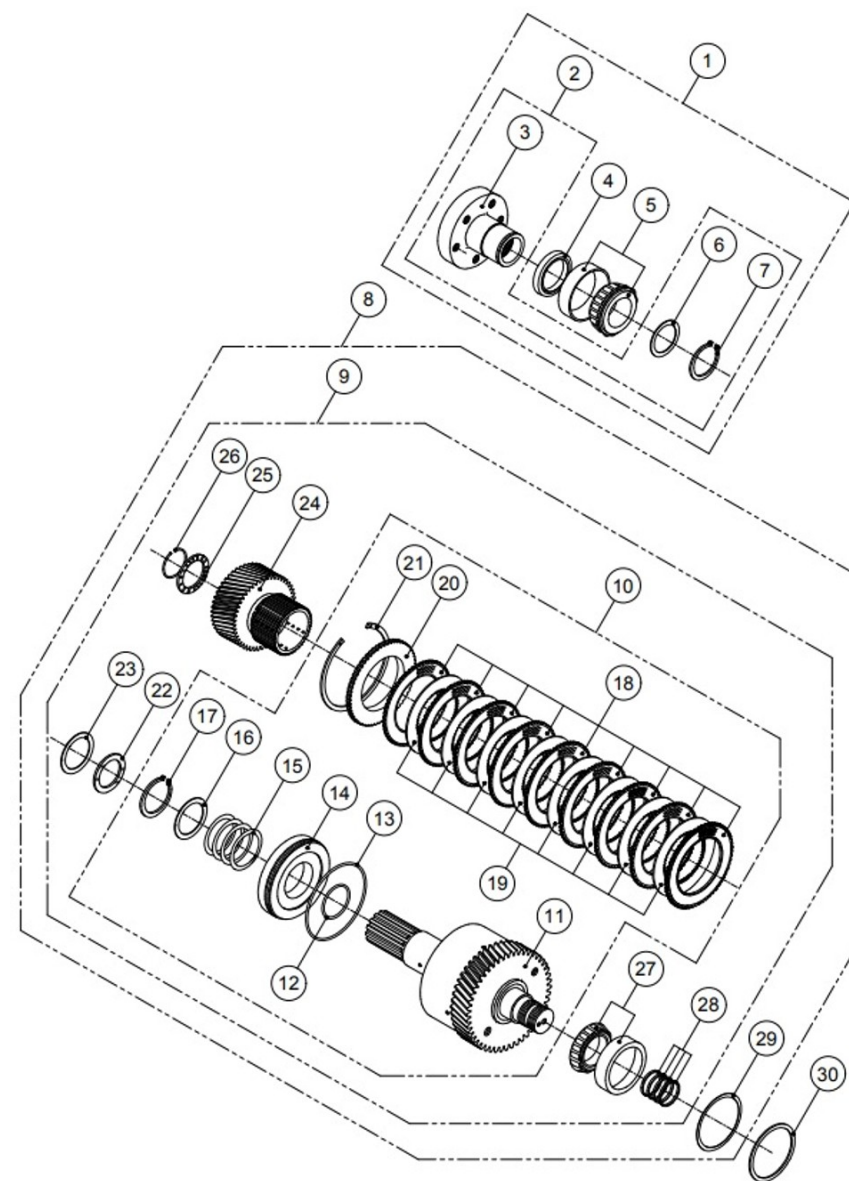


Fig.	Ref.	Qty.	Descr.	Obs	From	UpTo
1A	DAS100200A	1	Astern Shaft Group G.R 5.29			
1B	DAS100200B	1	Astern Shaft Group G.R 5.95			
1C	DAS100200C	1	Astern Shaft Group G.R 4.07			
1D	DAS100200D	1	Astern Shaft Group G.R 4.50			
1E	DAS100200E	1	Astern Shaft Group G.R 4.95			
2A	D100200A	1	Astern Shaft Group G.R 5.29			
2B	D100200B	1	Astern Shaft Group G.R 5.95			
2C	D100200C	1	Astern Shaft Group G.R 4.07			
2D	D100200D	1	Astern Shaft Group G.R 4.50			
2E	D100200E	1	Astern Shaft Group G.R 4.95			
3	D100200	1	Astern Shaft Ass'Y			
4	DAS100201	1	Astern Shaft Sub Ass'Y			
5	D70104	1	O-Ring			
6	D70106	1	O-Ring			
7	D70105	1	Piston, Clutch			
8	43301019	1	Spring			
9	43301018	1	Washer			
10	43301017	1	Ring, Snap External			
11	D100109	9	Plate, Sintered			
12	D100110	8	Plate, Steel			
13	43301014	1	Plate, Back			
14	D11527	1	Ring, Snap Internal			
15	D70117	1	Washer, Thrust			
16	D100116	2	Washer, Thrust			
17A	D100108A	1	Pinion, Ass'Y G.R 5.29			
17B	D100108B	1	Pinion, Ass'Y G.R 5.95			
17C	D100108C	1	Pinion, Ass'Y G.R 4.07			
17D	D100108D	1	Pinion, Ass'Y G.R 4.50			
17E	D100108E	1	Pinion, Ass'Y G.R 4.95			
18	D100205	1	Collar, Bearing			
19	D32208J	1	Bearing, Taper Roller			

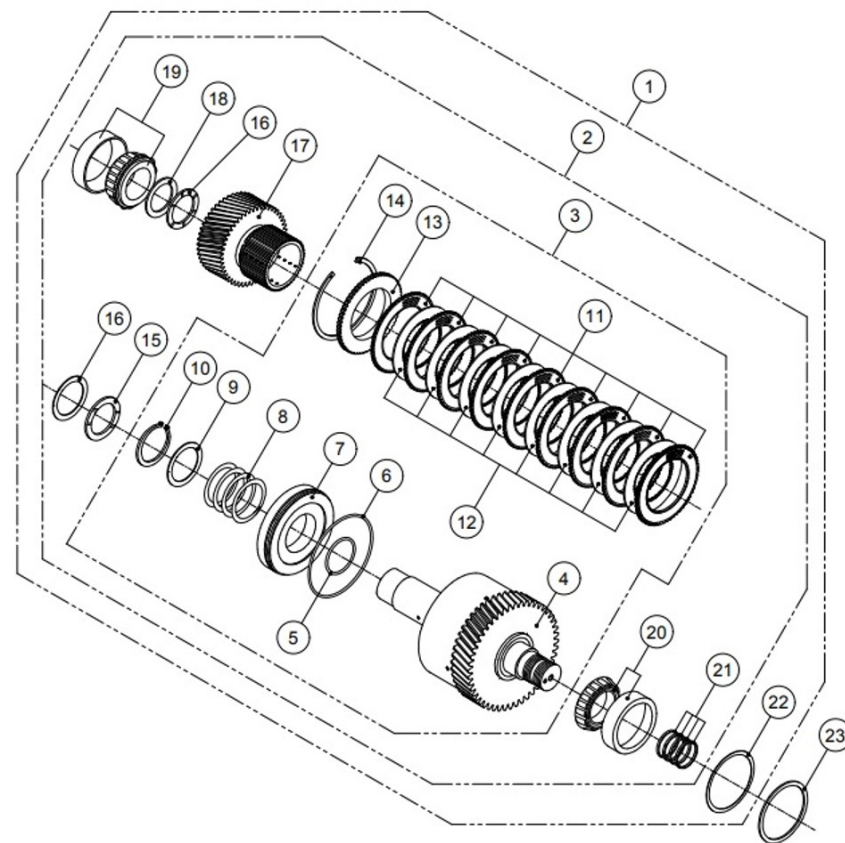


Fig.	Ref.	Qty.	Descr.	Obs	From	UpTo
20	43301010	1	Bearing, Taper Roller			
21	D050120	4	Ring, Oil Seal			
22A	43301024	0	Shim	#		
22B	43301025	5	Shim			
22C	43301026	0	Shim	#		
23B	43300028	1	Spacer			

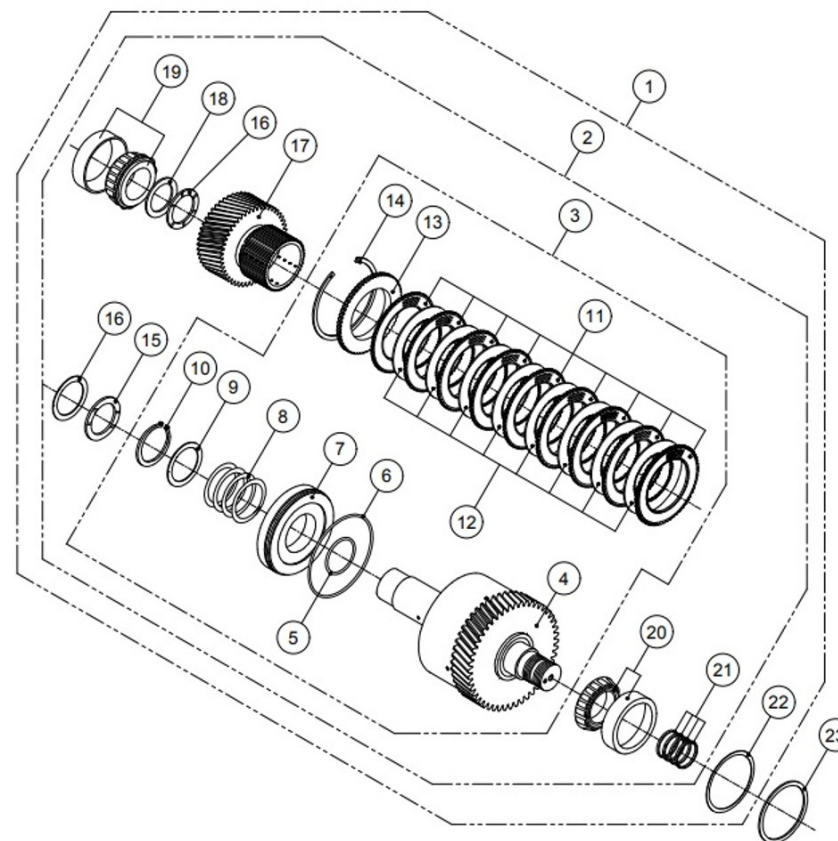


Fig.	Ref.	Qty.	Descr.	Obs	From	UpTo
1A	DST100301A	1	Output Shaft Ass'Y G.R 5.29			
1B	DST100301B	1	Output Shaft Ass'Y G.R 5.95			
1C	DST100301C	1	Output Shaft Ass'Y G.R 4.07			
1D	DST100301D	1	Output Shaft Ass'Y G.R 4.50			
1E	DST100301E	1	Output Shaft Ass'Y G.R 4.95			
2A	D100300AG	1	Output Shaft Group G.R 5.29			
2B	D100300BG	1	Output Shaft Group G.R 5.95			
2C	D100300CG	1	Output Shaft Group G.R 4.07			
2D	D100300DG	1	Output Shaft Group G.R 4.50			
2E	D100300EG	1	Output Shaft Group G.R 4.95			
3A	D100300A	1	Output Shaft Ass'Y G.R 5.29			
3B	D100300B	1	Output Shaft Ass'Y G.R 5.95			
3C	D100300C	1	Output Shaft Ass'Y G.R 4.07			
3D	D100300D	1	Output Shaft Ass'Y G.R 4.50			
3E	D100300E	1	Output Shaft Ass'Y G.R 4.95			
5	D100314	1	Oil Pan Ass'Y			
6	243B0250	2	Screw, Socket			
7A	D100304A	0	Shim	#		
7B	D100304B	5	Shim			
7C	D100304C	0	Shim	#		
8	DG12531	1	O-Ring			
9	D100303A	1	Carrier, Seal Ass'Y			
10	DD07510013	1	Seal, Oil			
11	DB12175035	6	Screw			
12	DAS100306	1	Output Coupling Ass'Y			
13	D100307	1	Washer, Retainer			
14	D100315	1	Plate, Lock			
15	DA14150035	3	Screw			
16	D100310	1	Coupling, Propeller			
17	D70318	6	Bolt, Reamer			
18	43300051	6	Washer, Spring			

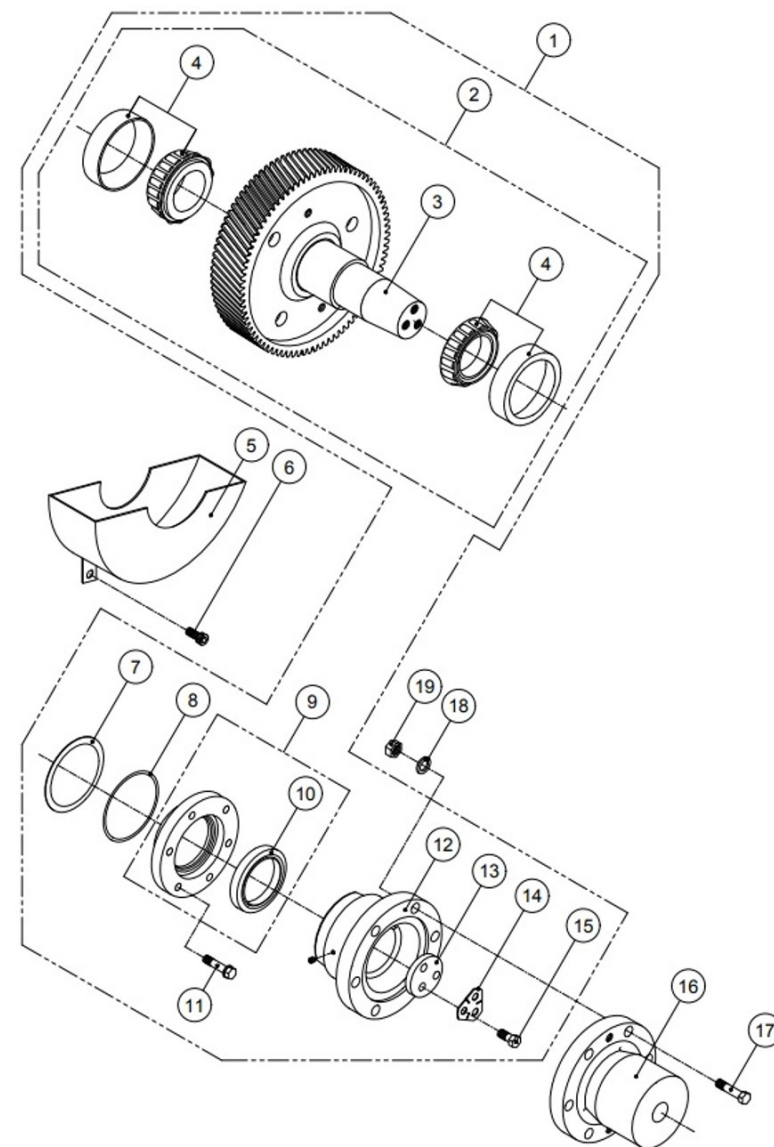


Fig.	Ref.	Qty.	Descr.	Obs	From	UpTo
19	43300052	6	Nut			

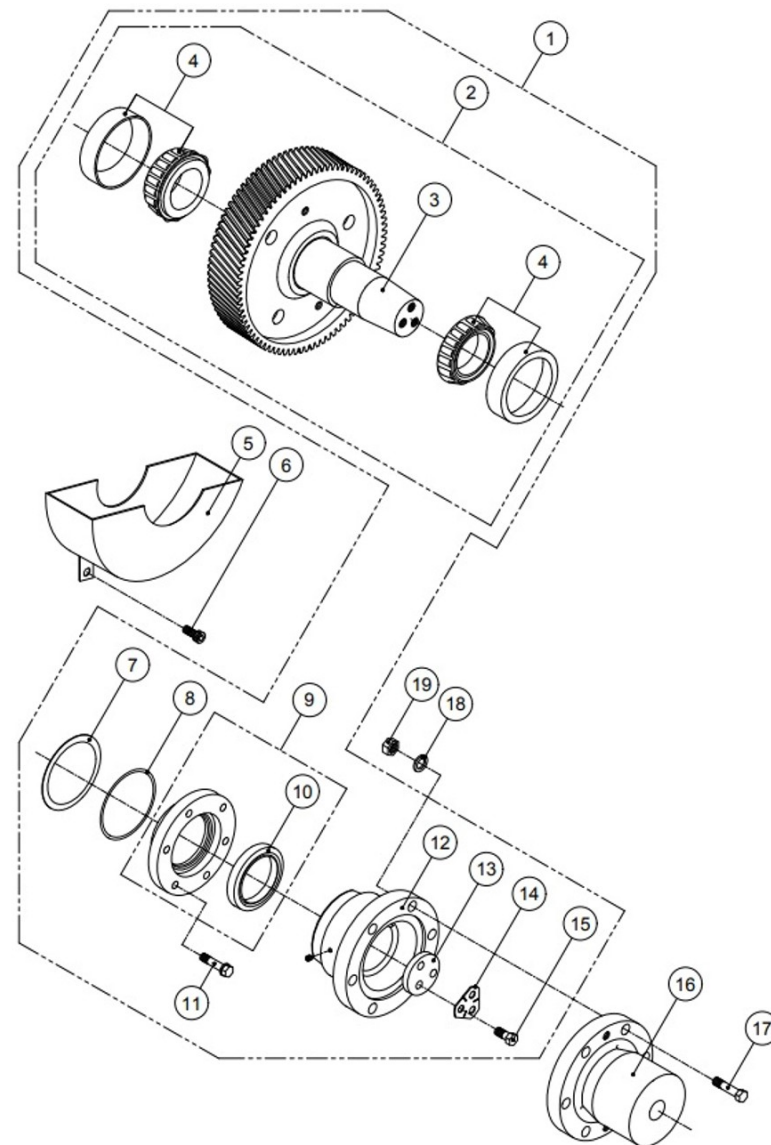
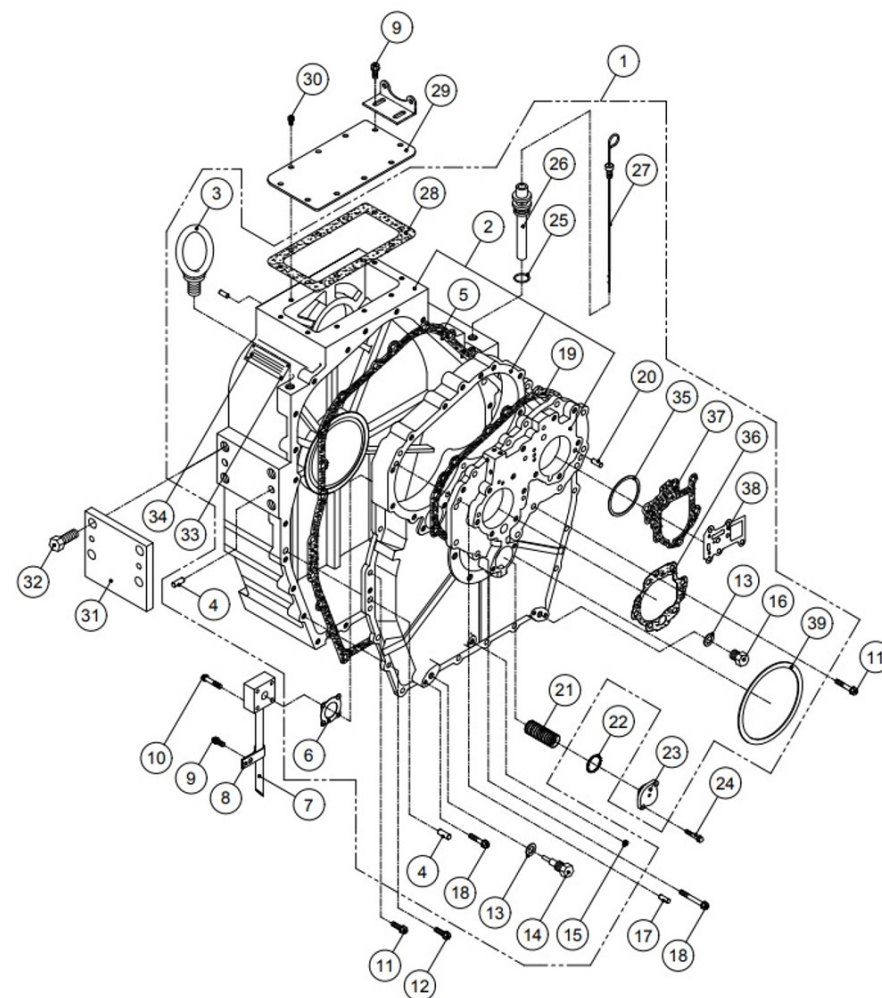


Fig.	Ref.	Qty.	Descr.	Obs	From	UpTo
1	DST100001	1	Case Ass'Y			
2	D100000AG	1	Case Ass'Y			
3	43300079	2	Bolt, Eye			
4	243B0058	8	Pin, Dowel			
5	D100003	1	Gasket, Case			
6	D150025	1	Gasket, Suction Pipe			
7	D100026	1	Pipe Suction Ass'Y			
8	D170027	1	Clamp			
9	243D5035	5	Screw			
10	243B0040	4	Screw			
11	43300044	15	Screw			
12	43306023	8	Screw			
13	D11028	2	Gasket, Copper			
14	D25018	1	Drain Plug Ass'Y			
15	DPT0080310	1	Plug			
16	24350018	1	Plug			
17	243B0057	2	Pin, Dowel			
18	DB10150070	9	Screw			
19	D100005	1	Gasket, Bearing Carrier			
20	243D5055	4	Pin, Dowel			
21	D100022	1	Screen Filter Ass'Y			
22	243B0002	1	O-Ring			
23	D170023	1	Cover, Screen Filter			
24	43300070	2	Screw			
26	D170017	1	Air Breather Ass'Y			
27	D100018	1	Oil Gauge Ass'Y			
28	D100016	1	Gasket, Cover			
29	D100015	1	Cover			
30	243B0039	6	Screw			
31	D100953	2	Plate, Attachment			
32	243B0239	8	Screw			



D_0313_4 Sheet 4/9

Fig.	Ref.	Qty.	Descr.	Obs	From	UpTo
33	243B0045	4	Screw			
34	43300075	1	Plate,Name			
35	43301025	10	Shim			
36	D100033	1	Gasket, Pump Hold			
37	D100034	1	Gasket, Valve Holder			
38	D150527	1	Gasket, Selector Valve			
39	D100304B	5	Shim			

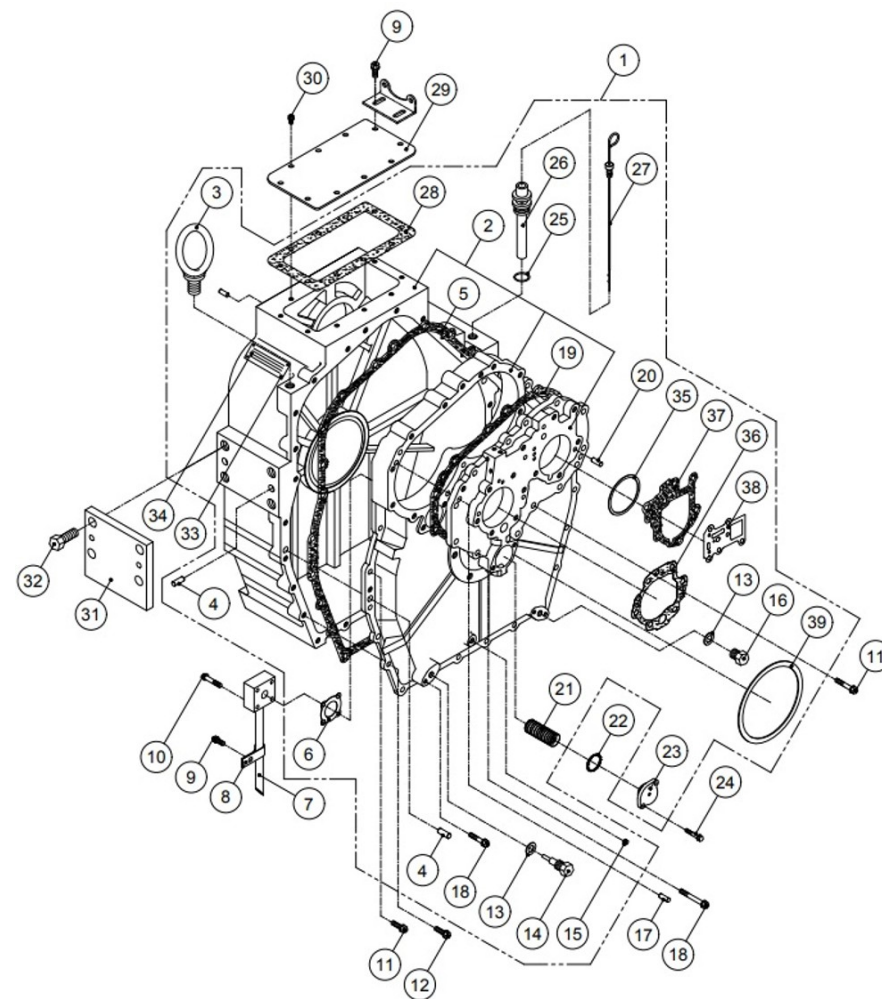


Fig.	Ref.	Qty.	Descr.	Obs	From	UpTo
1	DST100402	1	Pump Holder Group			
2	DAS100406	1	Pump Ass'Y			
3	43306014	1	Block, Pump Driving			
4	DAS100402	1	Pump Holder Ass'Y			
5	43301025	5	Shim			
6	D100033	1	Gasket, Pump Hold			
7	D100401	1	Pump Holder Ass'Y			
8	D100412	1	Gasket, Pump Plate			
9	D100420	1	Pump Ass'Y			
10	D100409	1	Pump Cover Ass'Y			
11	243D5055	6	Pin, Dowel			
12	D100405	2	Gasket, Pump			
13	D100406	1	Body, Gear Pump			
14	D136407	1	Gear, Pump Driving			
15	D136408	1	Gear, Pump Driven			
16	D100421	1	Pump Plate Ass'Y			
17	D11028	1	Gasket, Copper			
18	43306001	1	Nipple			
19	DB10150080	4	Screw			

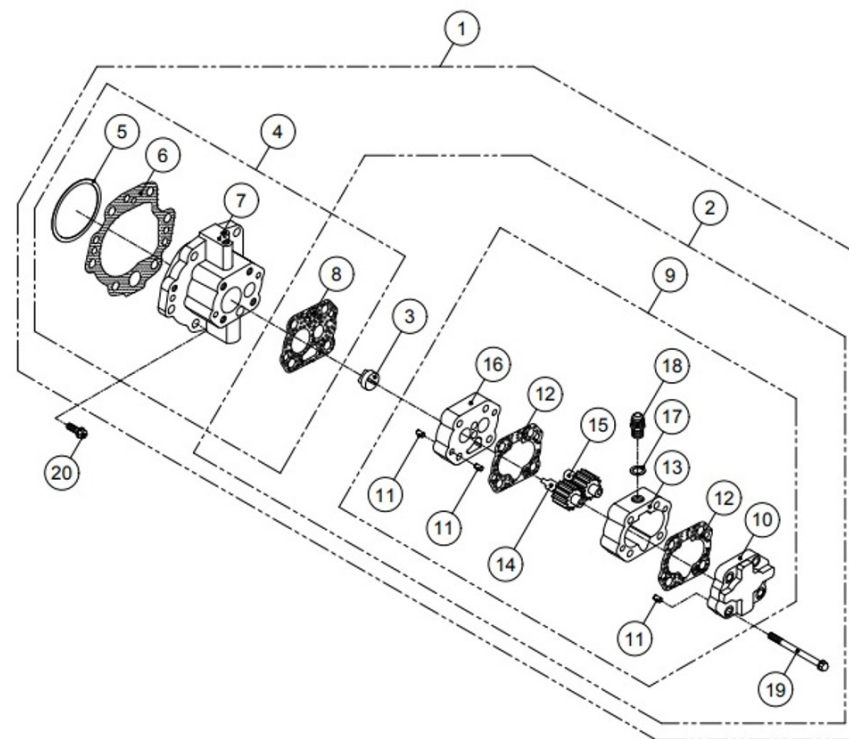


Fig.	Ref.	Qty.	Descr.	Obs	From	UpTo
1	DAS100562	1	Valve Holder Ass'Y			
2	43301025	5	Shim			
3	D100034	1	Gasket, Valve Holder			
4	D100561G	1	Valve Holder Ass'Y			
5	D70031	1	Gasket, Copper			
6	D70030	1	Plug			
7	D11028	1	Gasket, Copper			
8	43306001	1	Nipple			
9	243D5407	1	Nut, Lock			
10	243D5408	1	Screw, Lock			
11	D25025	1	Valve, Oil Pressure			
12	D25026	1	Spring, Oil Pressure			
13	D25028	1	Gasket, Copper			
14	D25027	1	Plug, Pressure			
15	D136549	1	Oil Filter Ass'Y			
17	D110546	1	Cover, Filter			
18	243B0526	4	Screw			
19	43300090	7	Screw			
20	D25019	1	Gasket, Copper			
21	243B0529	1	Pressure Gauge Assy			
22	D110412	1	Adaptor			
23	243B0530	1	Pressure Gauge			
24	243B0532	1	Plug			
25	D150527	1	Gasket, Selector Valve			

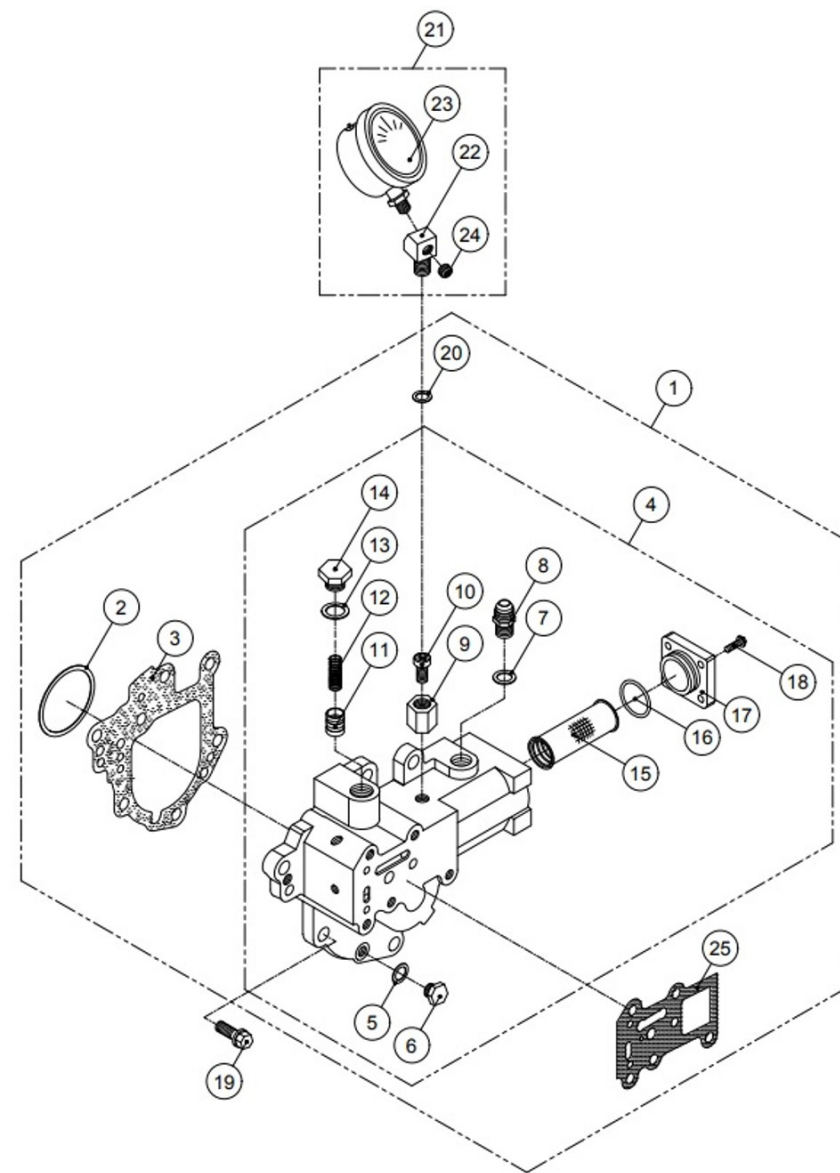


Fig.	Ref.	Qty.	Descr.	Obs	From	UpTo
1	DST025500	1	Selector Valve Group			
2	D025514	1	Sleeve			
3	D150510A	1	Pressure Regulating Valve ASS'Y			
4	D25507	1	Spring, Outer			
5	243D5450	1	Spring, Trolling			
6	243D5453	1	Spacer			
7	D150508	1	Piston			
8	D25502	1	Spring, Check Valve			
9	243B0555	1	Ball, Steel			
10	D150546	2	Gasket, Trolling Valve			
11	D150547	1	Plate, Orifice			
12	D25510	1	Cover, Piston			
14	D25515	1	Gasket, Valve Cover			
15	243B0536	1	Lever Group			
16	243D5443	1	Stem, Valve			
17	D51101	1	Bearing, Thrust			
18	243B0543	1	O-Ring			
19	D25517	1	Cover, Valve			
20	D25520	1	Lever Ass'Y			
21	243B0541	1	Pin, Spring			
22	D400524	1	Ball Joint ASS'Y			
23	D25518	1	Spring, Detent			
24	243B0548	1	Ball, Steel			
25	243B0547	2	Screw, Socket			
26	243B0546	2	Screw, Socket			
27	243B0567	1	Cable Bracket Assy			
28	243D5474	1	Bracket, Cable			
29	D400525	1	Shim			
30	D25536	1	Clamp			
31	243B0570	2	Screw			
32	243B0569	2	Nut			

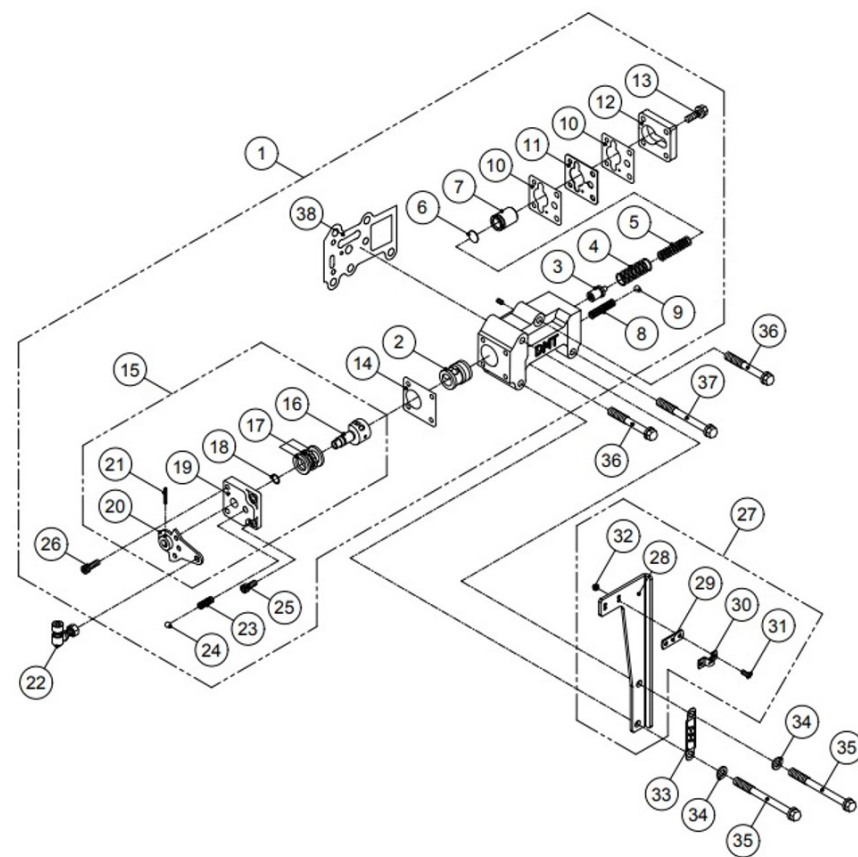


Fig.	Ref.	Qty.	Descr.	Obs	From	UpTo
33	43305068	1	Plate, Name			
34	243B0540	2	Washer			
35	243B0564	2	Screw			
36	243B0562	2	Screw			
37	243B0563	1	Screw			
38	D150527	1	Gasket, Selector Valve			

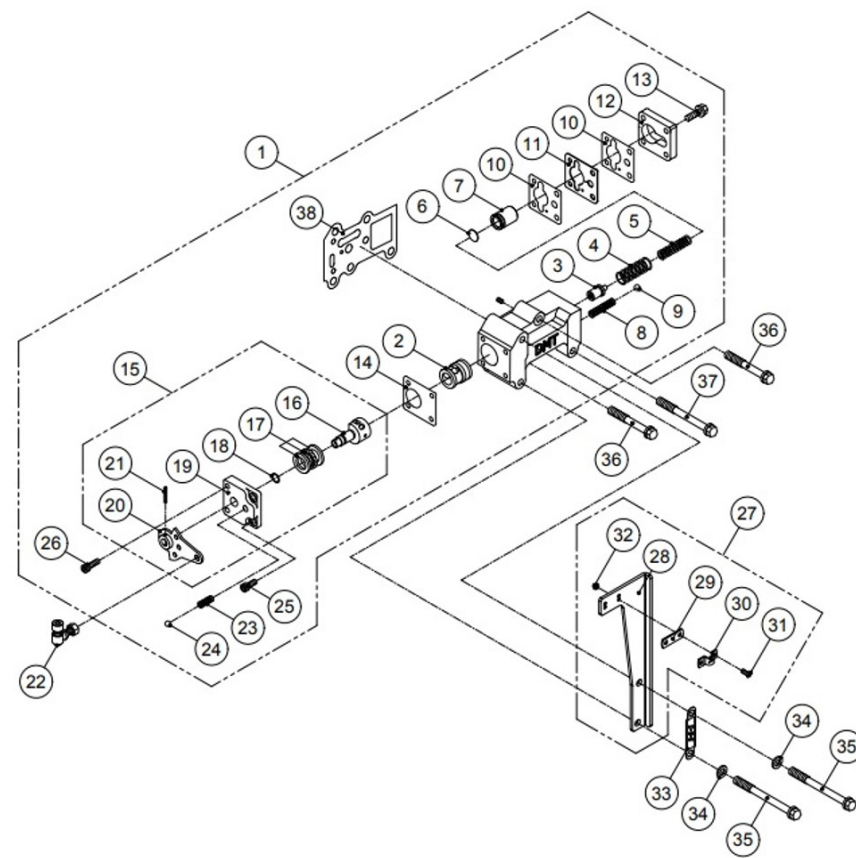


Fig.	Ref.	Qty.	Descr.	Obs	From	UpTo
1A	43306019	1	Oil Cooler Assy			
1B	DST050741	1	Oil Cooler ASS'Y Pf 2"			
2A	DAS050720	1	Oil Cooler Ass'Y			
2B	DAS050741	1	Oil Cooler ASS'Y			
3A	43306027	1	Element Cooler			
3B	43306028	1	Element Cooler			
4A	D150750	2	O-Ring			
4B	D400750	2	O-Ring			
5A	43306021	2	Cooler Cover Assy			
6A	43306024	2	Cover, Cooler			
6B	D260701	2	Cover, Cooler Pf 2"			
7	D150753	2	Zinc Anode ASS'Y			
8A	243D5047	8	Screw			
8B	43306023	8	Screw			
9A	D150031	2	Bracket, Cooler			
9B	43306030	2	Bracket, Cooler			
10	D25028	4	Gasket, Copper			
11A	D070711	1	Hose ASS'Y			
11B	D100710	1	Hose Ass'Y			
12	43306031	2	Bolt, Union			
13A	D070710	1	Hose ASS'Y			
13B	D195712	1	Hose Ass'Y			

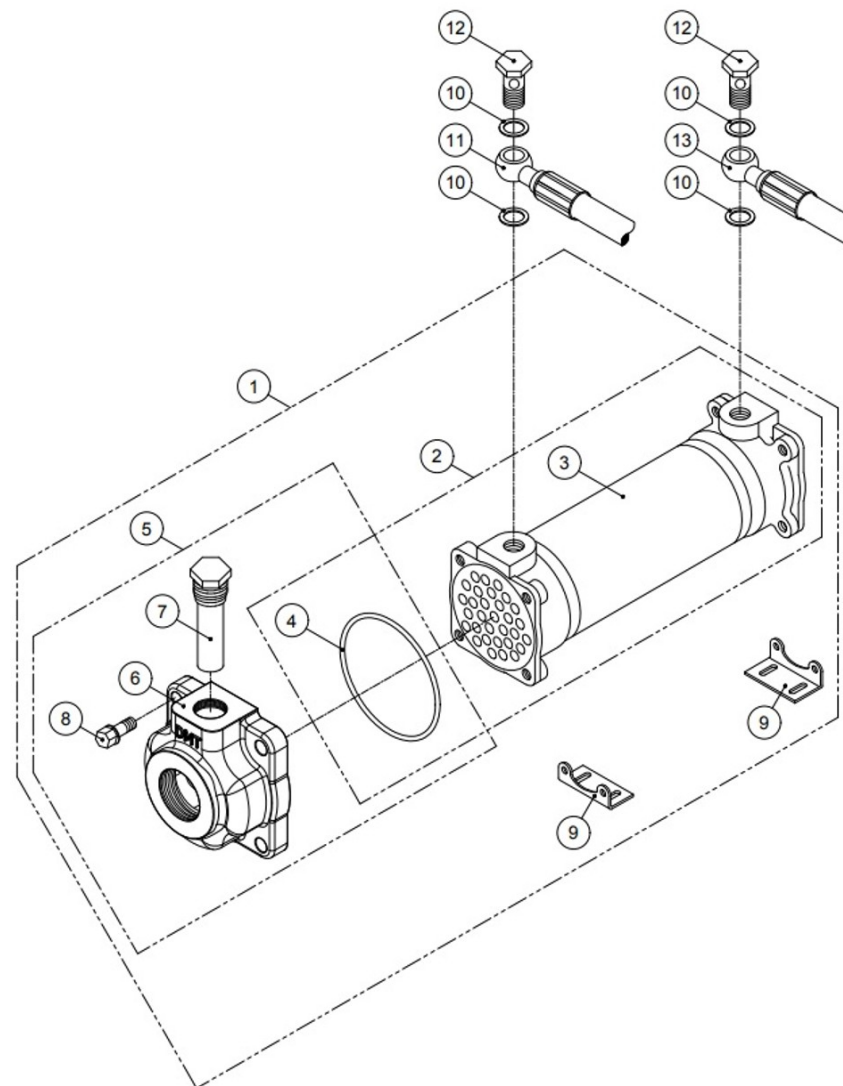
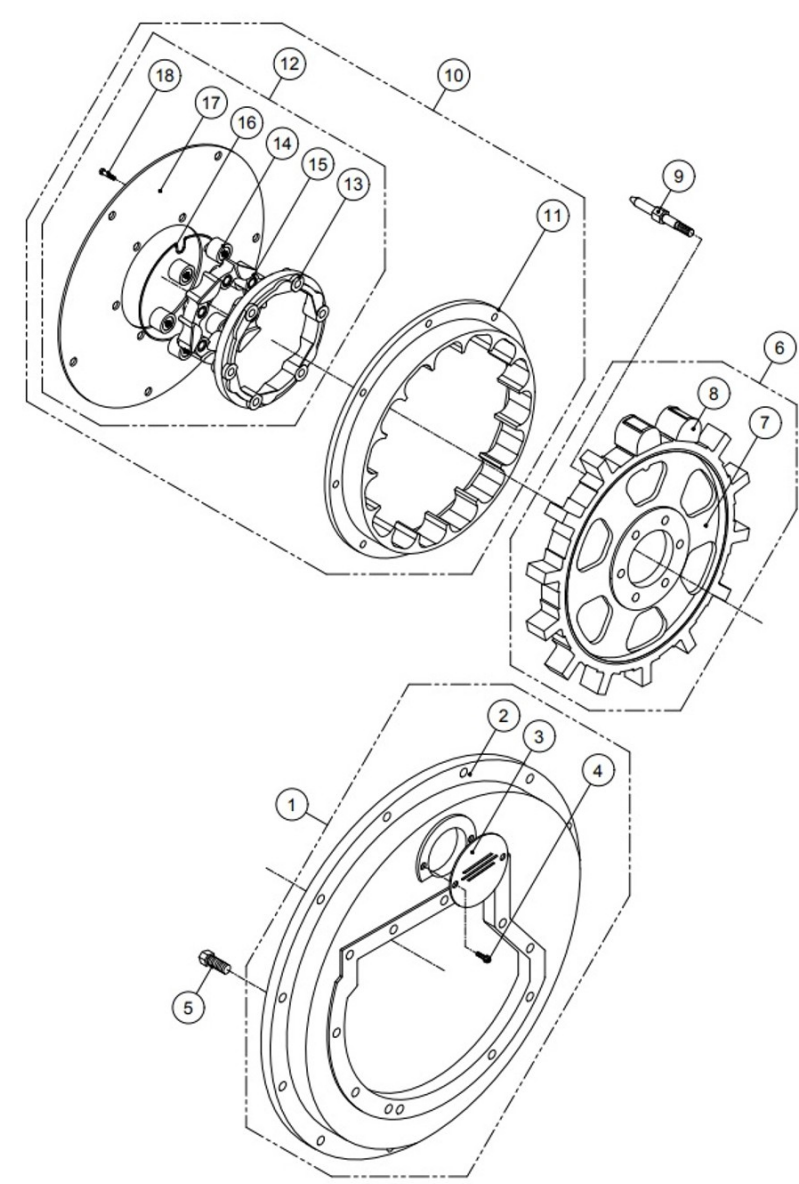
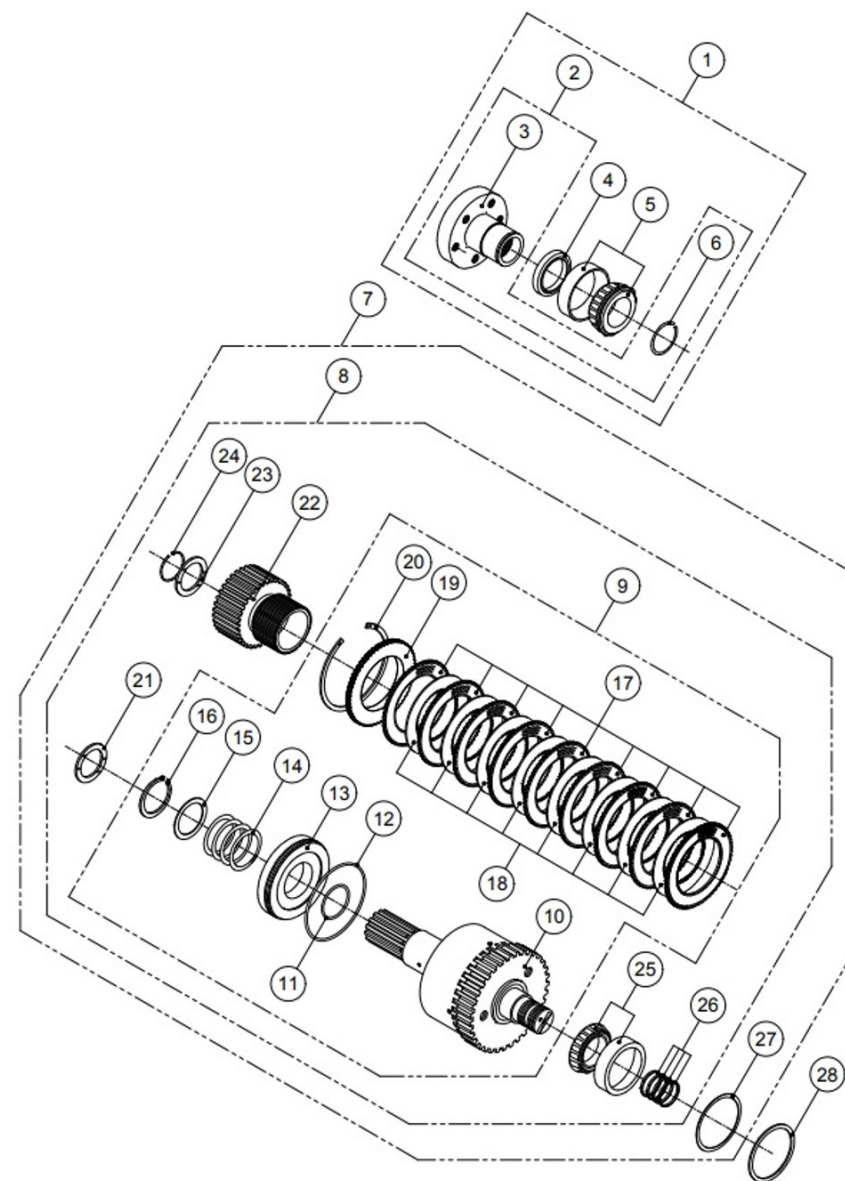


Fig.	Ref.	Qty.	Descr.	Obs	From	UpTo
1	D100903G	1	Housing, Flywheel Ass'Y SAE #3			
2	D100903	1	Housing, Flywheel SAE #3			
3	43306044	1	Cover, Check			
4	43306045	2	Screw			
5	43300044	11	Screw			
6	43306038	1	Spider, Drive Assy			
7	43306039	1	Spider, Drive			
8	43306040	12	Block, Rubber			
9	43306041	6	Bolt, Reamer			
10	43306034	1	Ring, Driving Assy			
11	43306036	1	Driving Ring			
12	43306037	1	Center Ring Assy			
13	D050863T	1	Cover, Rubber			
15	D050861T	1	Ring, Center 11.5"			
16	D050864T	1	Stopper, Center Ring			
17	D050862T	1	Plate 11.5"			
18	43306035	12	Bolt, Reamer			



D_1246_1 Sheet 1/8

Fig.	Ref.	Qty.	Descr.	Obs	From	UpTo
1	DST050008	1	Input Coupling ASS'Y			
2	DAS050008	1	Input Coupling ASS'Y			
3	43300001	1	Input Coupling Assy			
4	DD06509010	1	Seal, Oil			
5	43300003	1	Bearing, Taper Roller			
6	43300004	1	Retainer			
7A	DAS090100A	1	Input Shaft Group G.R 1.61			
7B	DAS090100B	1	Input Shaft Group G.R 2.06			
7C	DAS090100C	1	Input Shaft Group G.R 2.45			
7D	DAS090100D	1	Input Shaft Group G.R 2.82			
7E	DAS090100E	1	Input Shaft Group G.R 3.12			
7F	DAS090100F	1	Input Shaft Group G.R 3.46			
8A	D090100A	1	Input Shaft Group G.R 1.61			
8B	D090100B	1	Input Shaft Group G.R 2.06			
8C	D090100C	1	Input Shaft Group G.R 2.45			
8D	D090100D	1	Input Shaft Group G.R 2.82			
8E	D090100E	1	Input Shaft Group G.R 3.12			
8F	D090100F	1	Input Shaft Group G.R 3.46			
9	D090100	1	Input Shaft Ass'Y			
10	43301023	1	Input Shaft Assy			
11	D70104	1	O-Ring			
12	D70106	1	O-Ring			
13	D70105	1	Piston, Clutch			
14	43301019	1	Spring			
15	43301018	1	Washer			
16	43301017	1	Ring, Snap External			
17	D70109	9	Plate, Sintered			
18	D70110	8	Plate, Steel			
19	43301014	1	Plate, Back			
20	D11527	1	Ring, Snap Internal			
21	D70117	1	Washer, Thrust			



D_1246_1 Sheet 1/8

Fig.	Ref.	Qty.	Descr.	Obs	From	UpTo
22A	D070108A	1	Pinion, Ass'Y G.R 1.61			
22B	D070108B	1	Pinion, Ass'Y G.R 2.06			
22C	D070108C	1	Pinion, Ass'Y G.R 2.45			
22D	43331008	1	Pinion, Assy G.R 2.12			
22E	D070108E	1	Pinion, Ass'Y G.R 3.12			
22F	D070108F	1	Pinion, Ass'Y G.R 3.46			
23	D70113	1	Washer, Thrust			
24	43301006	1	Retainer			
25	43301010	1	Bearing, Taper Roller			
26	D25120	4	Ring, Oil Seal			
27A	43301024	0	Shim	#		
27B	43301025	5	Shim			
27C	43301026	0	Shim	#		
28A	43300027	1	Spacer			
28B	43300028	1	Spacer			

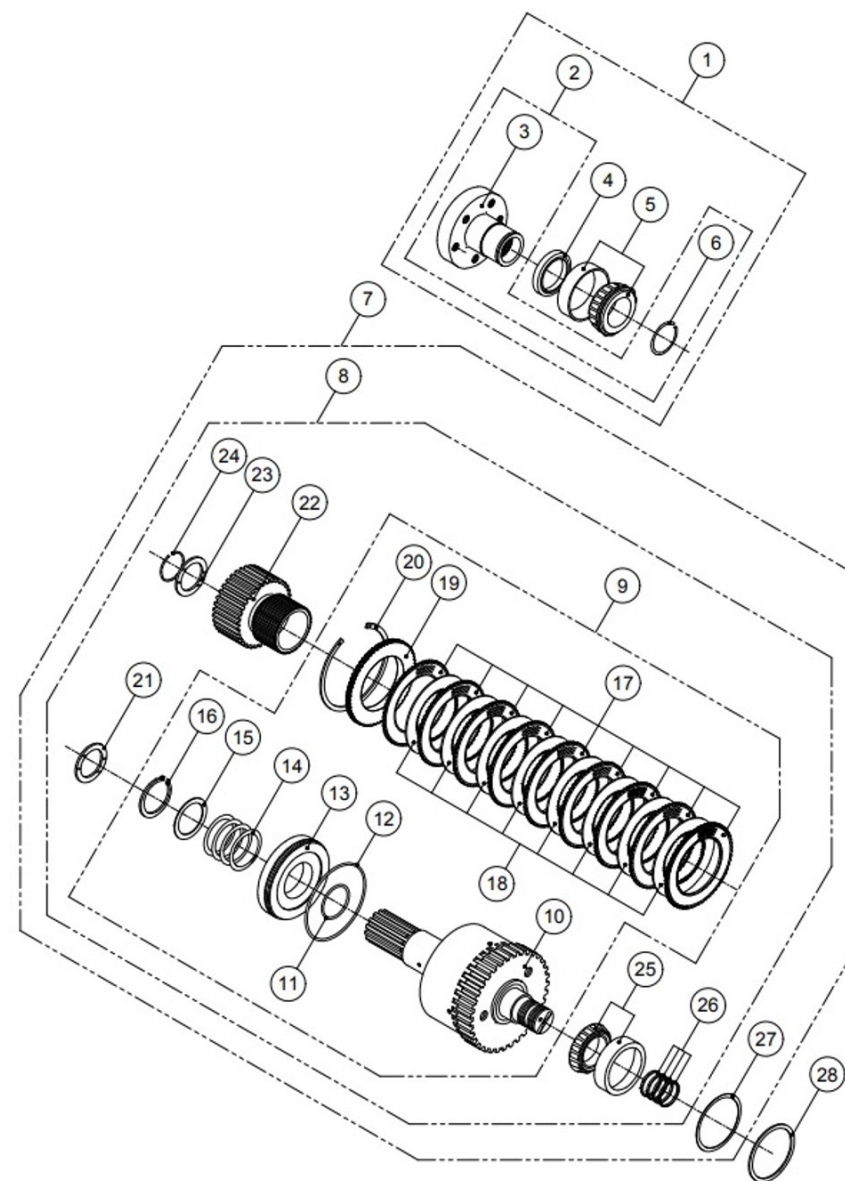


Fig.	Ref.	Qty.	Descr.	Obs	From	UpTo
1A	DAS090200A	1	Astern Shaft Group G.R 1.61			
1B	DAS090200B	1	Astern Shaft Group G.R 2.06			
1C	DAS090200C	1	Astern Shaft Group G.R 2.45			
1D	DAS090200D	1	Astern Shaft Group G.R 2.82			
1E	DAS090200E	1	Astern Shaft Group G.R 3.12			
1F	DAS090200F	1	Astern Shaft Group G.R 3.46			
2A	D090200A	1	Astern Shaft Group G.R 1.61			
2B	D090200B	1	Astern Shaft Group G.R 2.06			
2C	D090200C	1	Astern Shaft Group G.R 2.45			
2D	D090200D	1	Astern Shaft Group G.R 2.82			
2E	D090200E	1	Astern Shaft Group G.R 3.12			
2F	D090200F	1	Astern Shaft Group G.R 3.46			
3	D090200	1	Astern Shaft Ass'Y			
4	43302031	1	Astern Shaft Sub Assy			
5	D70104	1	O-Ring			
6	D70106	1	O-Ring			
7	D70105	1	Piston, Clutch			
8	43301019	1	Spring			
9	43301018	1	Washer			
10	43301017	1	Ring, Snap External			
11	D70109	9	Plate, Sintered			
12	D70110	8	Plate, Steel			
13	43301014	1	Plate, Back			
14	D11527	1	Ring, Snap Internal			
15	D70117	1	Washer, Thrust			
16A	D070108A	1	Pinion, Ass'Y G.R 1.61			
16B	D070108B	1	Pinion, Ass'Y G.R 2.06			
16C	D070108C	1	Pinion, Ass'Y G.R 2.45			
16D	43331008	1	Pinion, Assy G.R 2.12			
16E	D070108E	1	Pinion, Ass'Y G.R 3.12			
16F	D070108F	1	Pinion, Ass'Y G.R 3.46			

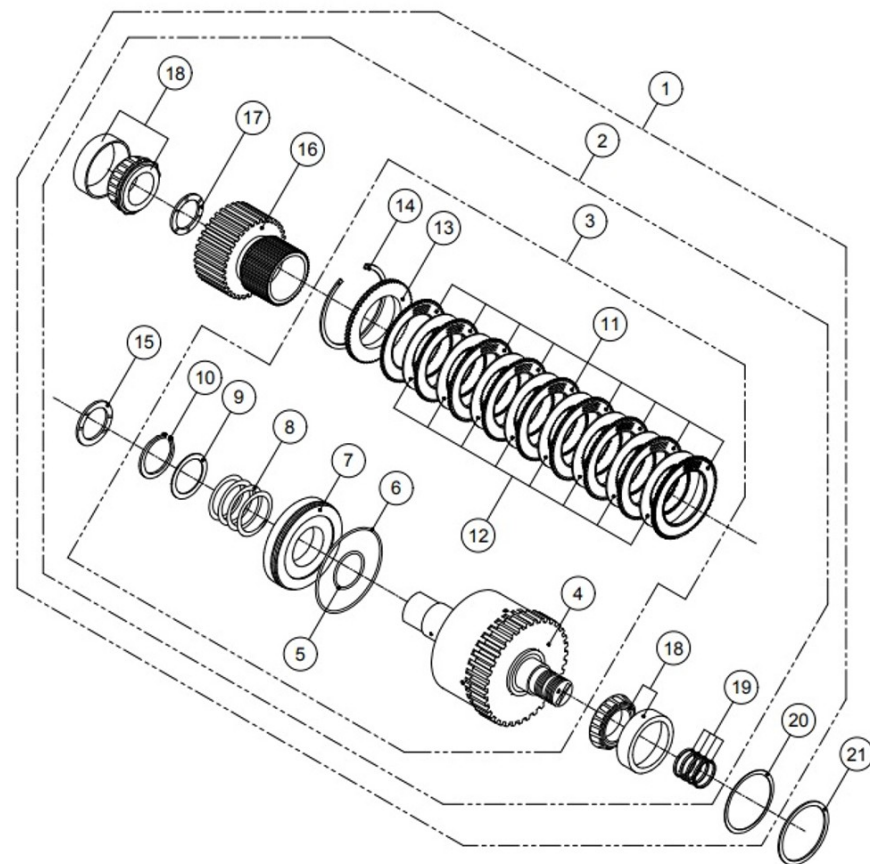


Fig.	Ref.	Qty.	Descr.	Obs	From	UpTo
17	D70113	1	Washer, Thrust			
18	43301010	2	Bearing, Taper Roller			
19	D25120	4	Ring, Oil Seal			
20A	43301024	0	Shim	#		
20B	43301025	5	Shim			
20C	43301026	0	Shim	#		
21A	43300027	1	Spacer			
21B	43300028	1	Spacer			

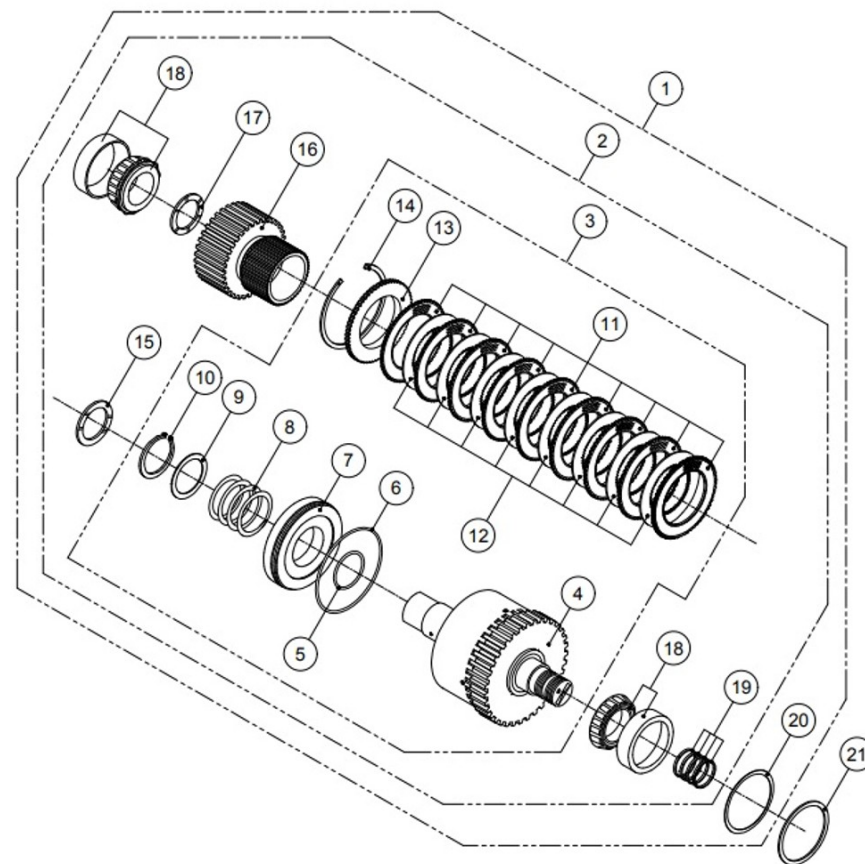


Fig.	Ref.	Qty.	Descr.	Obs	From	UpTo
1A	DST090301A	1	Output Shaft Ass'Y G.R 1.61			
1B	DST090301B	1	Output Shaft Ass'Y G.R 2.06			
1C	DST090301C	1	Output Shaft Ass'Y G.R 2.45			
1D	DST090301D	1	Output Shaft Ass'Y G.R 2.82			
1E	DST090301E	1	Output Shaft Ass'Y G.R 3.12			
1F	DST090301F	1	Output Shaft Ass'Y G.R 3.46			
2A	D070300TAG	1	Output Shaft Group G.R 1.61			
2B	D070300TBG	1	Output Shaft Group G.R 2.06			
2C	D070300TCG	1	Output Shaft Group G.R 2.45			
2D	D070300TDG	1	Output Shaft Group G.R 2.82			
2E	D070300TEG	1	Output Shaft Group G.R 3.12			
2F	D070300TFG	1	Output Shaft Group G.R 3.46			
3A	D070300TA	1	Output Shaft Ass'Y G.R 1.61			
3B	D070300TB	1	Output Shaft Ass'Y G.R 2.06			
3C	D070300TC	1	Output Shaft Ass'Y G.R 2.45			
3D	D070300TD	1	Output Shaft Ass'Y G.R 2.82			
3E	D070300TE	1	Output Shaft Ass'Y G.R 3.12			
3F	D070300TF	1	Output Shaft Ass'Y G.R 3.46			
4	D30310D	1	Bearing, Taper Roller			
5	D32014JR	1	Bearing, Taper Roller			
6	D070314	1	Oil Pan Ass'Y			
7	43300054	2	Screw, Socket			
8A	43300038	0	Shim	#		
8B	43300039	5	Shim			
8C	43300040	0	Shim	#		
9	43300041	1	O-Ring			
10	D070303A	1	Carrier, Seal Ass'Y			
11	DD07009010	1	Seal, Oil			
12	43300091	6	Screw			
13	DAS090306	1	Output Coupling Ass'Y			
14	43300046	1	Washer, Retainer			

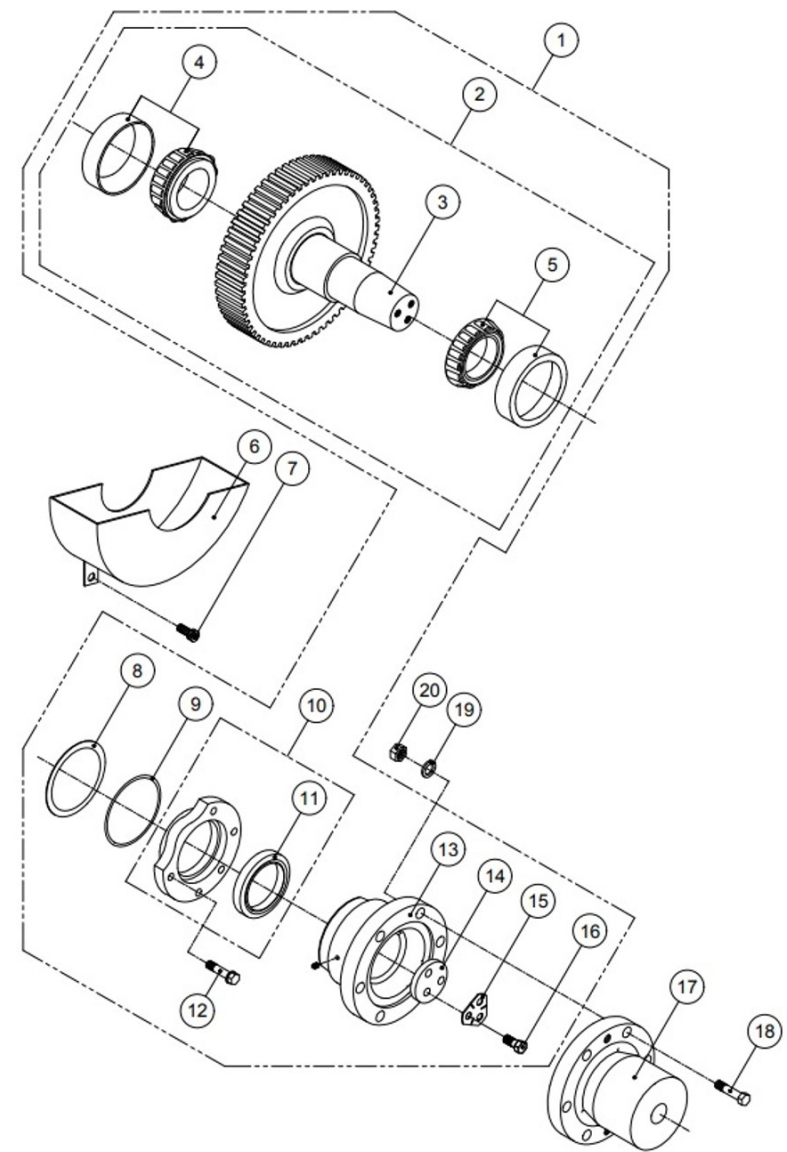
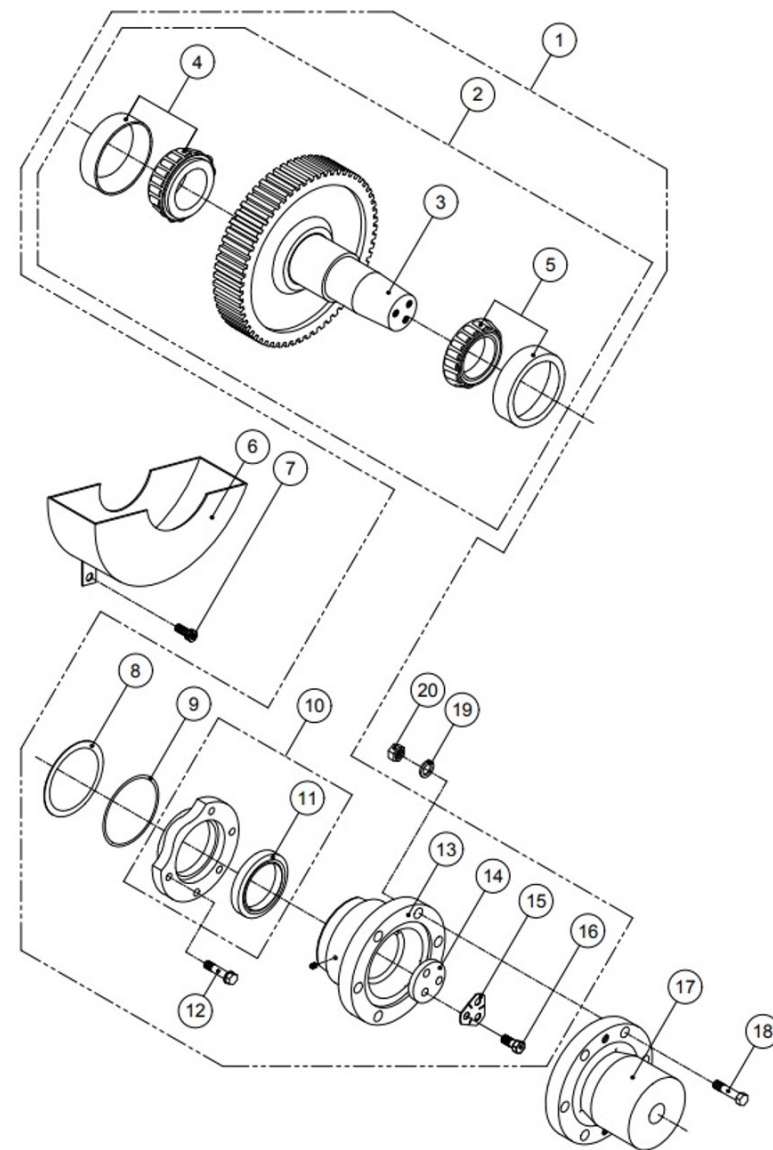
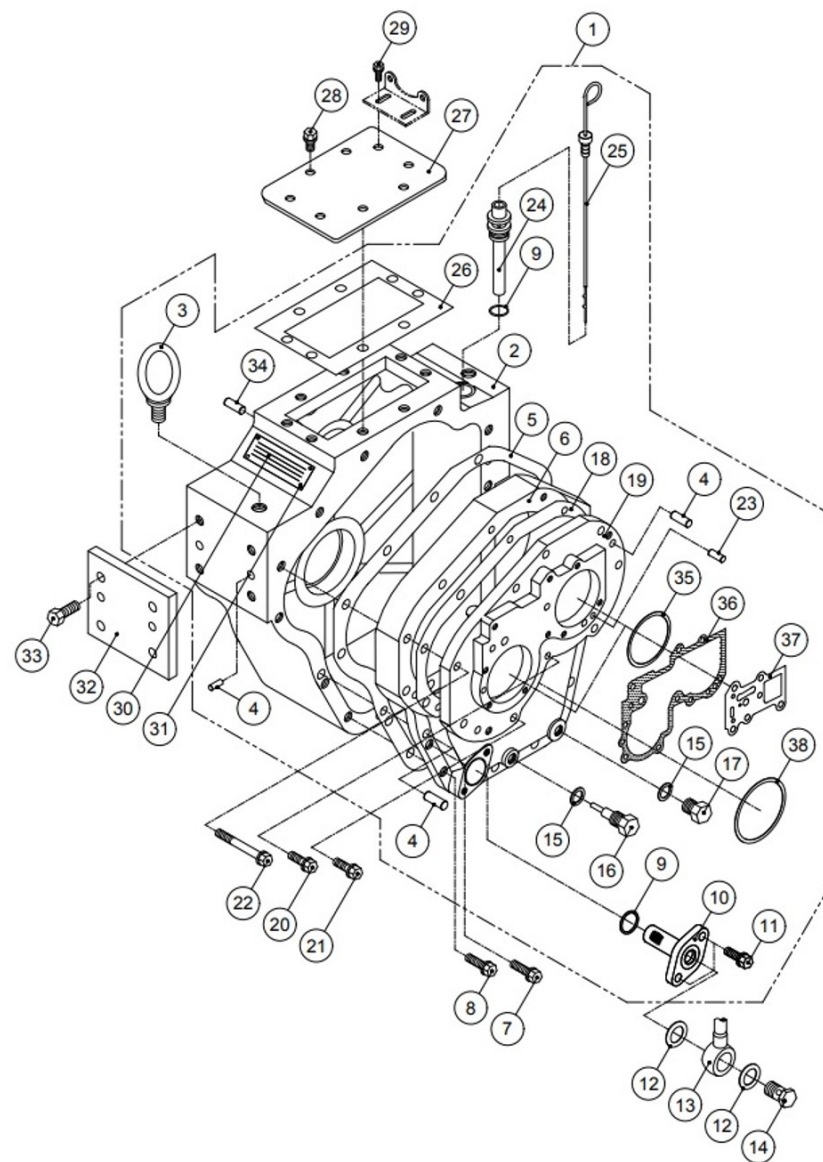


Fig.	Ref.	Qty.	Descr.	Obs	From	UpTo
15	D70315	1	Plate, Lock			
16	43300048	3	Screw			
17	D11317D	1	Coupling, Propeller			
18	D70318	6	Bolt, Reamer			
19	43300051	6	Washer, Spring			
20	43300052	6	Nut			



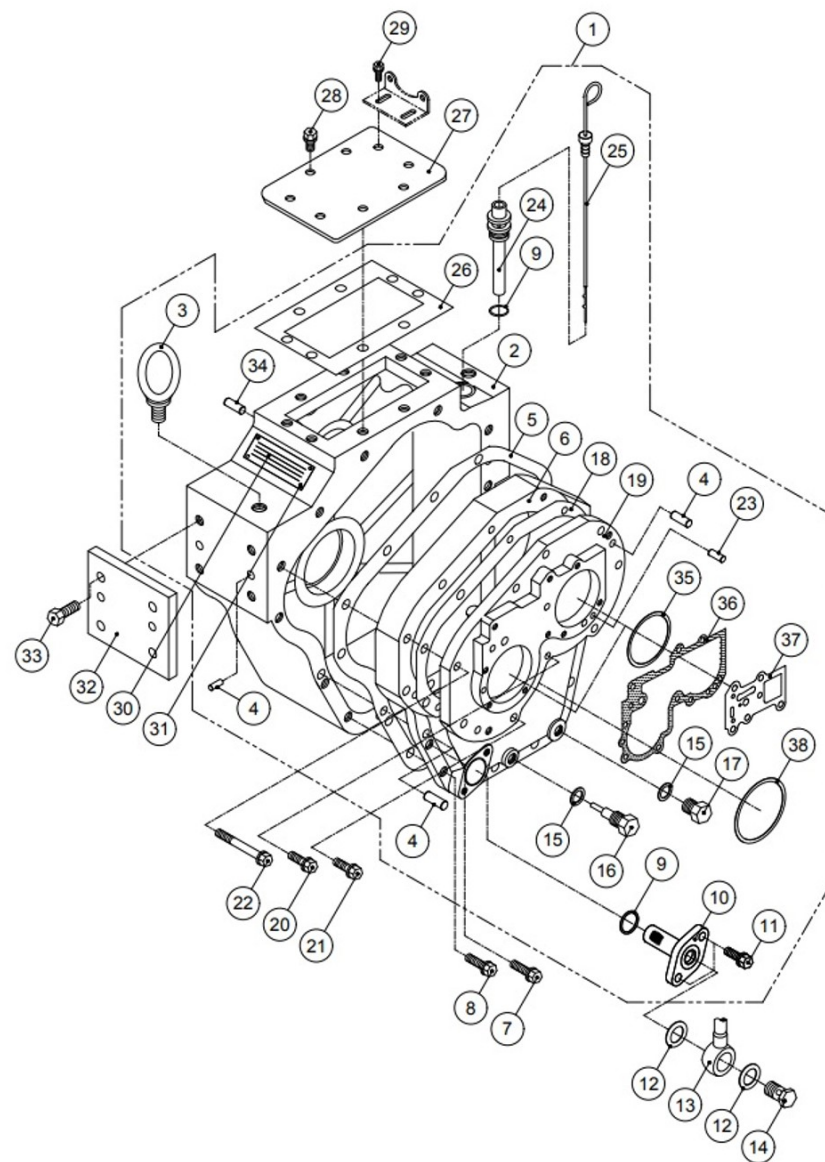
D_1246_4 Sheet 4/8

Fig.	Ref.	Qty.	Descr.	Obs	From	UpTo
1	DST090001	1	Case Ass'Y			
2	D090001	1	Case			
3	43300079	2	Bolt, Eye			
4	243B0057	8	Pin, Dowel			
5	D090011	1	Gasket, Case			
6	D090012	1	Cover, Case			
7	43300091	2	Screw			
8	24350022	6	Screw			
9	24300006	2	O-Ring			
10	43300071	1	Screen Filter Assy			
11	243D5045	2	Screw			
12	D25017	2	Gasket, Copper			
13	D050705	1	Pipe ASS'Y			
14	43300068	1	Bolt, Union			
15	D11028	2	Gasket, Copper			
16	D25018	1	Drain Plug Ass'Y			
17	24350018	1	Plug			
18	D090016	1	Gasket, Bearing Carrier			
19	DAS090017	1	Bearing Carrier ASS'Y			
20	DB08125032	1	Screw			
21	243D5024	3	Screw			
22	DB10125070	5	Screw			
23	243D5055	2	Pin, Dowel			
24	D170017	1	Air Breather Ass'Y			
25	43300061	1	Gauge, Oil Level			
26	43300058	1	Gasket, Cover			
27	43300059	1	Cover			
28	243B0039	4	Screw			
29	243D5035	4	Screw			
30	43300075	1	Plate,Name			
31	243B0045	4	Screw			



D_1246_4 Sheet 4/8

Fig.	Ref.	Qty.	Descr.	Obs	From	UpTo
32	43300076	2	Bracket			
33	DA12150030	8	Screw			
34	243B0058	2	Pin, Dowel			
35	43301025	10	Shim			
36	43306016	1	Gasket, Manifold			
37	D150527	1	Gasket, Selector Valve			
38	43300039	5	Shim			



D_1246_5 Sheet 5/8

Fig.	Ref.	Qty.	Descr.	Obs	From	UpTo
1	DST050402	1	Manifold Group			
2	DAS050402	1	Manifold ASS'Y			
3	D11028	2	Gasket, Copper			
4	43306001	2	Nipple			
5	243D5407	1	Nut, Lock			
6	243D5408	1	Screw, Lock			
7	D25025	1	Valve, Oil Pressure			
8	D25026	1	Spring, Oil Pressure			
9	D25028	1	Gasket, Copper			
10	D25027	1	Plug, Pressure			
11	D70031	1	Gasket, Copper			
12	D70030	1	Plug			
13	D136549	1	Oil Filter Ass'Y			
14	243B0004	1	O-Ring			
15	D110546	1	Cover, Filter			
16	243B0526	4	Screw			
17	243D5426	7	Screw			
18	DAS050406	1	Pump Ass'Y			
19	43306014	1	Block, Pump Driving			
20	43306005	1	Gasket, Pump Plate			
21	43306012	1	Pump Cover Assy			
22	243D5055	2	Pin, Dowel			
23	43306008	2	Gasket, Pump			
24	43306009	1	Body, Gear Pump			
25	43306010	1	Gear, Pump Driving			
26	43306011	1	Gear, Pump Driven			
27	43306007	1	Pump Plate Assy			
28	243D5416	2	Pin, Dowel			
29	43306013	4	Screw			
30	D25017	2	Gasket, Copper			
31	43300068	1	Bolt, Union			

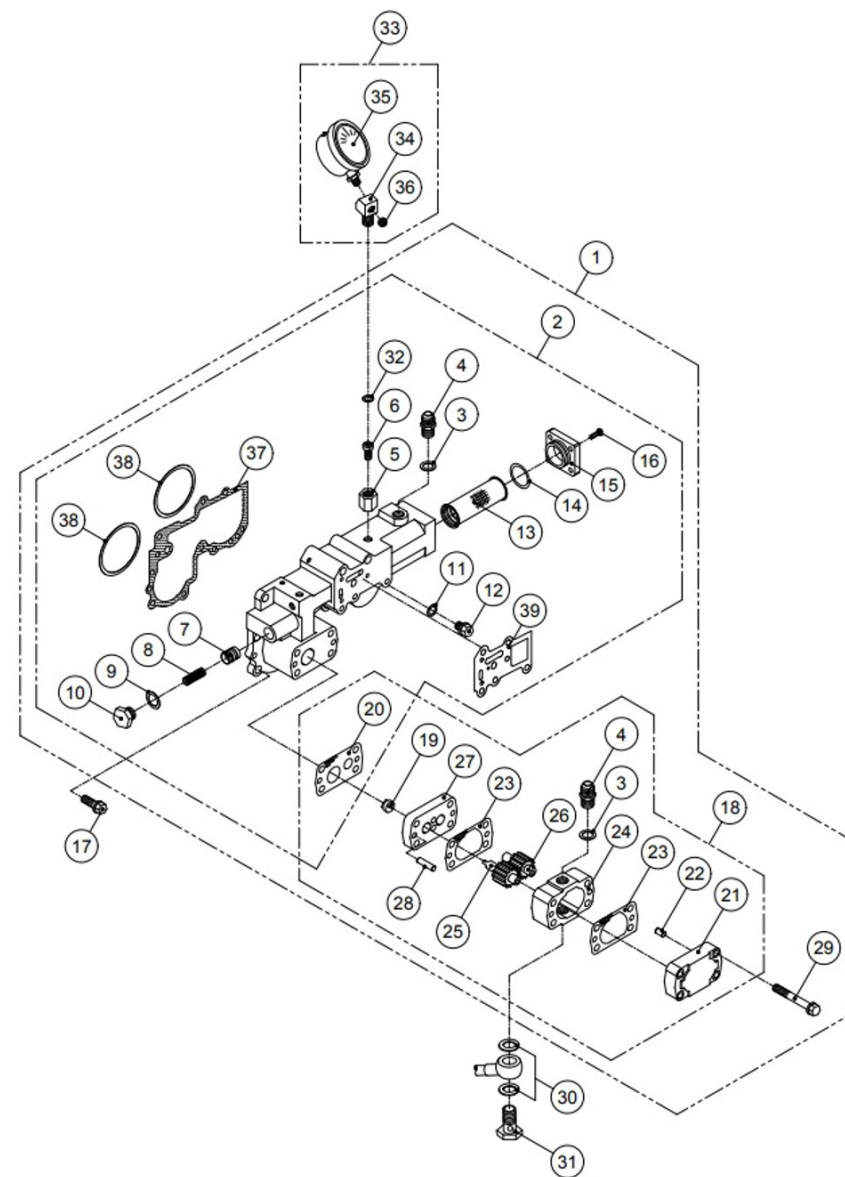


Fig.	Ref.	Qty.	Descr.	Obs	From	UpTo
32	D25019	1	Gasket, Copper			
33	243B0529	1	Pressure Gauge Assy			
34	D110412	1	Adaptor			
35	243B0530	1	Pressure Gauge			
36	243B0532	1	Plug			
37	43306016	1	Gasket, Manifold			
38	43301025	10	Shim			
39	D150527	1	Gasket, Selector Valve			

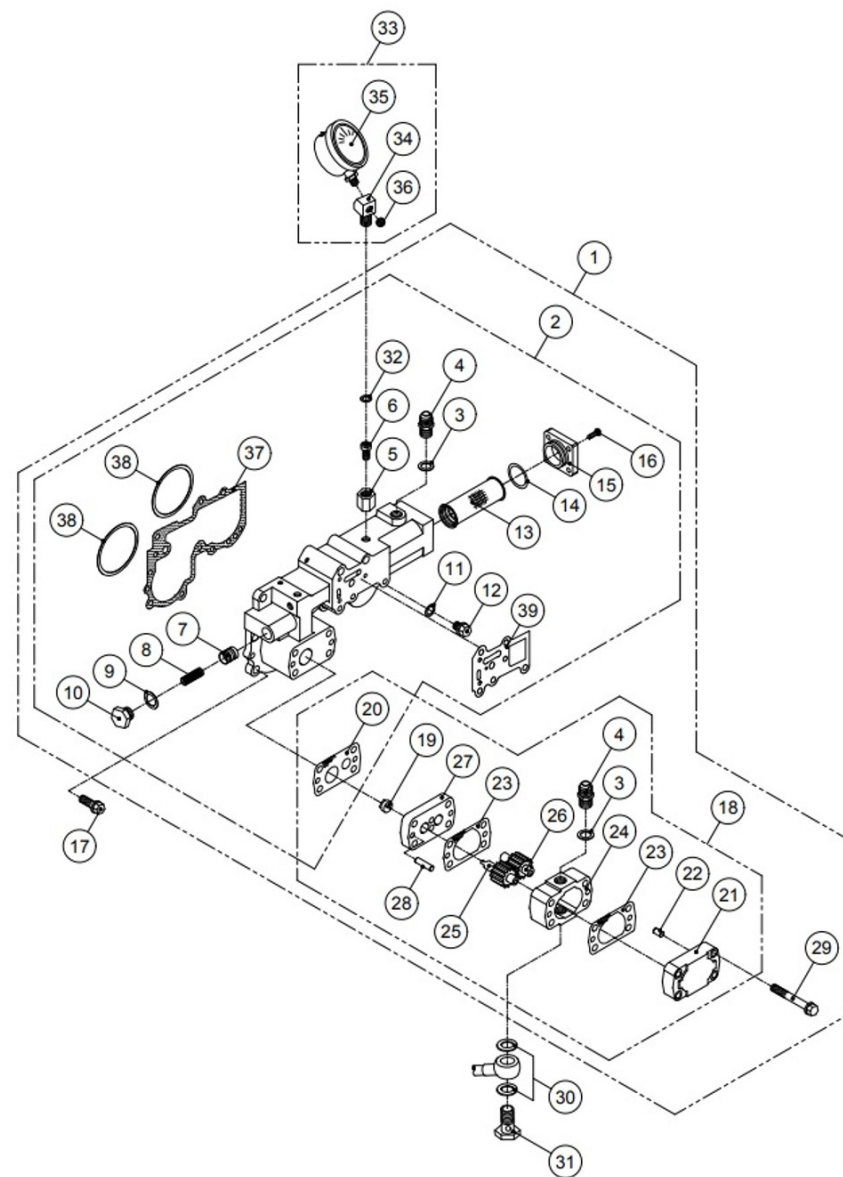


Fig.	Ref.	Qty.	Descr.	Obs	From	UpTo
1	DST025500	1	Selector Valve Group			
2	D25514	1	Sleeve			
3	D150510A	1	Pressure Regulating Valve ASS'Y			
4	D25507	1	Spring, Outer			
5	243D5450	1	Spring, Trolling			
6	243D5453	1	Spacer			
7	D150508	1	Piston			
8	D25502	1	Spring, Check Valve			
9	243B0555	1	Ball, Steel			
10	D150546	2	Gasket, Trolling Valve			
11	D150547	1	Plate, Orifice			
12	D25510	1	Cover, Piston			
13	243B0005	4	Screw			
14	D25515	1	Gasket, Valve Cover			
15	243B0536	1	Lever Group			
16	243D5443	1	Stem, Valve			
17	D51101	1	Bearing, Thrust			
18	243B0543	1	O-Ring			
19	D25517	1	Cover, Valve			
20	D25520	1	Lever Ass'Y			
21	243B0541	1	Pin, Spring			
22	D400524	1	Ball Joint ASS'Y			
23	D25518	1	Spring, Detent			
24	243B0548	1	Ball, Steel			
25	243B0547	2	Screw, Socket			
26	243B0546	2	Screw, Socket			
27	243B0567	1	Cable Bracket Assy			
28	243D5474	1	Bracket, Cable			
29	D400525	1	Shim			
30	D25536	1	Clamp			
31	DX05080014S	2	Screw			

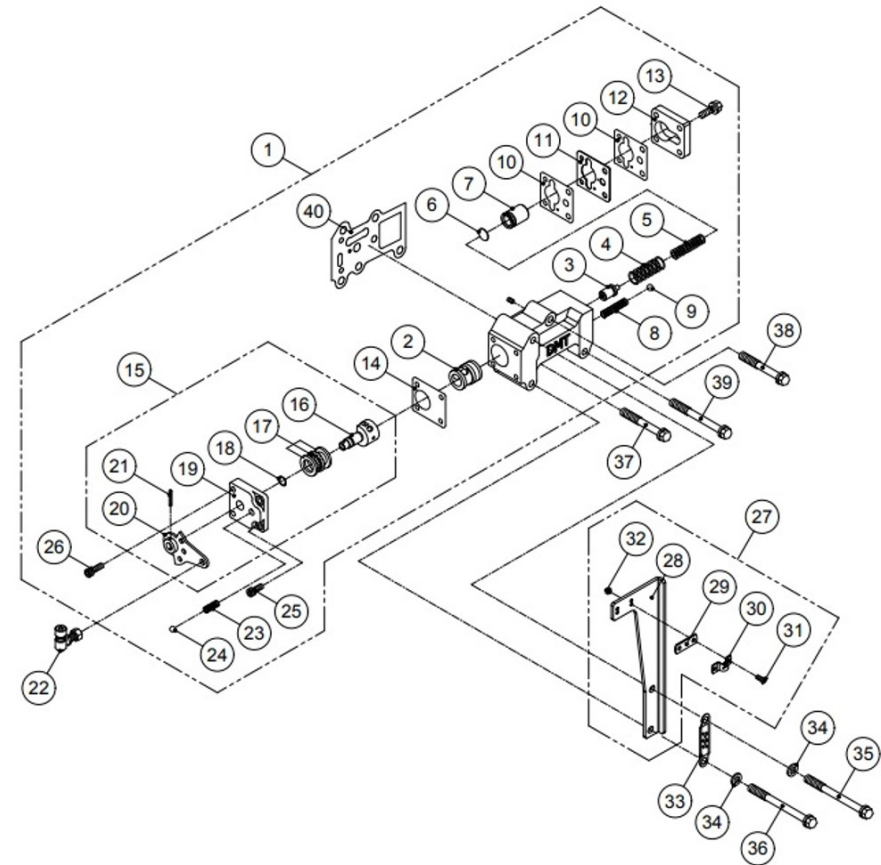
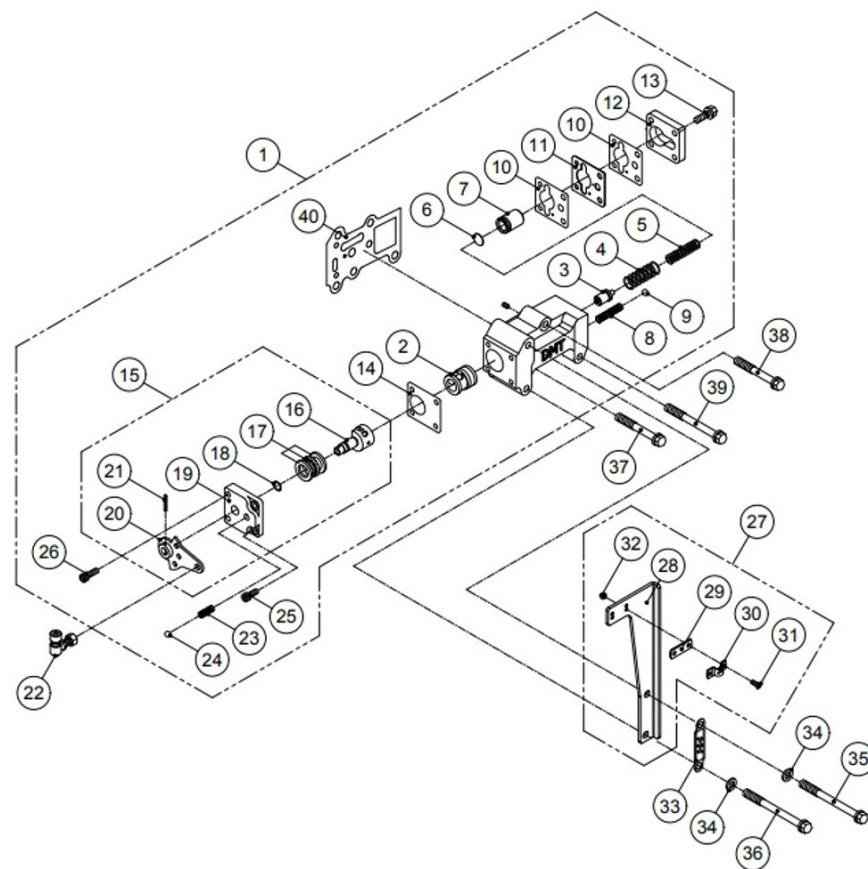


Fig.	Ref.	Qty.	Descr.	Obs	From	UpTo
32	243B0569	2	Nut			
33	43305068	1	Plate, Name			
34	243B0540	2	Washer			
35	DB08125135	1	Screw			
36	243B0564	1	Screw			
37	243B0562	1	Screw			
38	DB08125105	1	Screw			
39	243B0563	1	Screw			
40	D150527	1	Gasket, Selector Valve			



D_1246_7 Sheet 7/8

Fig.	Ref.	Qty.	Descr.	Obs	From	UpTo
1A	DST050741	1	Oil Cooler ASS'Y Pf 2"			
1B	43306020	1	Oil Cooler Assy			
1C	DST050741002	1	Oil Cooler ASS'Y Pf 1 1/2"			
2	DAS050741	1	Oil Cooler ASS'Y			
3	43306028	1	Element Cooler			
4	D400750	2	O-Ring			
5A	243B0602	2	Cooler Cover Assy			
5B	43306022	2	Cooler Cover Assy			
5C	D110702AS	2	Cooler Cover ASS'Y Pf 1 1/2"			
6A	D260701	2	Cover, Cooler Pf 2"			
6B	D200702	2	Cover, Cooler PF 1 1/4"			
6C	D110702H	2	Cover, Cooler Pf 1 1/2"			
7	D150753	2	Zinc Anode ASS'Y			
8	43306023	8	Screw			
9	43306030	2	Bracket, Cooler			
10	D25028	4	Gasket, Copper			
11	D070711	1	Hose ASS'Y			
12	43306031	2	Bolt, Union			
13	D070710	1	Hose ASS'Y			

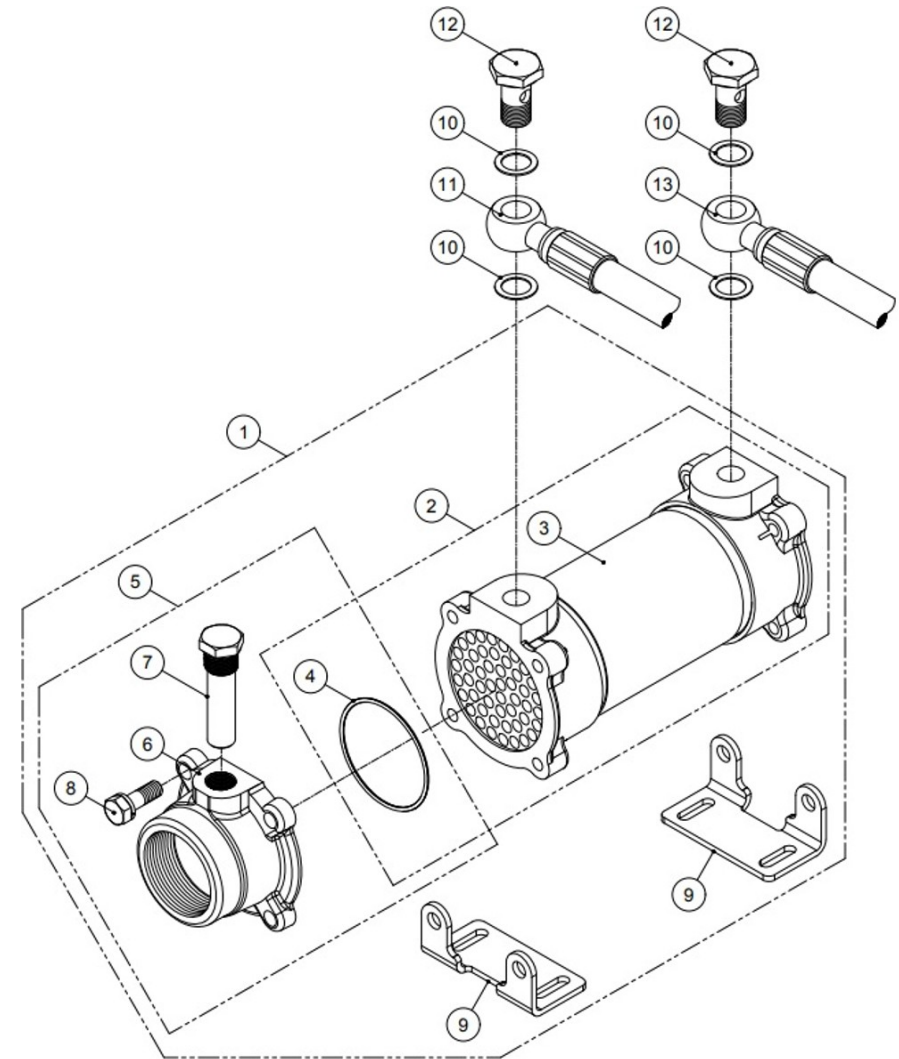
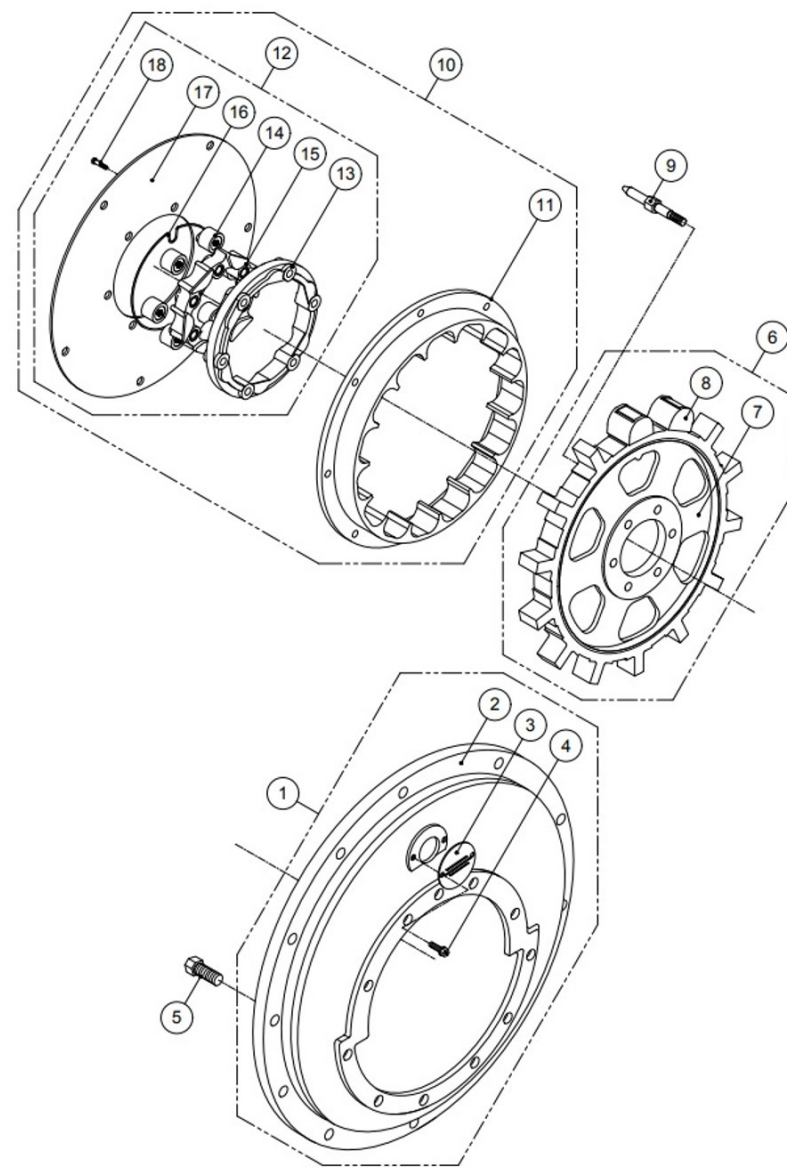




Fig.	Ref.	Qty.	Descr.	Obs	From	UpTo
1	43306042	1	Housing, Flywheel Assy			
2	43306043	1	Housing, Flywheel			
3	43306044	1	Cover, Check			
4	43306045	2	Screw			
5	24350040	10	Screw			
6	43306038	1	Spider, Drive Assy			
7	43306039	1	Spider, Drive			
8	43306040	12	Block, Rubber			
9	43306041	6	Bolt, Reamer			
10	43306034	1	Ring, Driving Assy			
11	43306036	1	Driving Ring			
12	43306037	1	Center Ring Assy			
13	D050863T	1	Cover, Rubber			
14	243M0002	6	Block, Center Rubber			
15	D050861T	1	Ring, Center 11.5"			
16	D050864T	1	Stopper, Center Ring			
17	D050862T	1	Plate 11.5"			
18	43306035	12	Bolt, Reamer			



D_19510200.2		Kit GearBox TM-265/A				
Fig.	Ref.	Qty.	Descr.	Obs	From	UpTo
1	52102411	1	Bolt DIN 933 M14-40 8.8			
2	53033014	1	Washer GROWER DIN 127-14			
3	24840021	1	Washer			
4	19410070	1	Flexible coupling CFR 136 11"1/2 TM-265/A		29/11/2019	
4	24840013	1	Coupling			28/11/2019
5	53038010	8	Washer DIN 6798-A 10			
6	53033008	2	Washer GROWER DIN 127-8			
8	52102308	12	Bolt DIN 933 M10-25 8.8			
8	52103308	8	Bolt DIN 912 M10-25 8.8			
9	19610007	2	Bracket,REVERSE TM 265			
10	52102461	8	Bolt DIN 933 M16-40 8.8			
11	53033016C	8	Washer			
12	24810913	1	Clamp,CABLE			
13	51030005	2	Washer DIN 125-5			
14	14719115	1	Coupling,cable			
15	51030006	4	Washer DIN 125-6			
16	51051107	1	Pin DIN-94 1,6-16			
17	52102306	1	Bolt DIN 933 M10-15 8.8			
18	56000061	1	Washer 10-16-1,5			
19	18619020	1	Bracket,Gear box control			
20	52102256	2	Bolt DIN 933 M8-16 8.8			
21	53033012	6	Washer Grower DIN 127-12			
22	51030008	2	Washer DIN 125-8			
23	54082032	4	Clamp DIN 3017 32-50/12 W4			
24	19511007	1	Hose			
25	19411048	2	Coupling			
26	52103158	8	Bolt DIN 912 M6-25 8.8			
27	19412003	2	Water Cooler Cover			
28	14712004	2	O-Ring D. 72X4			
29	14712003	1	Tubular Bundle			
30	14712001	1	Body,cooler			

IMAGEN
DISPONIBLE
PRÓXIMAMENTE

IMAGE AVAILABLE
COMING SOON

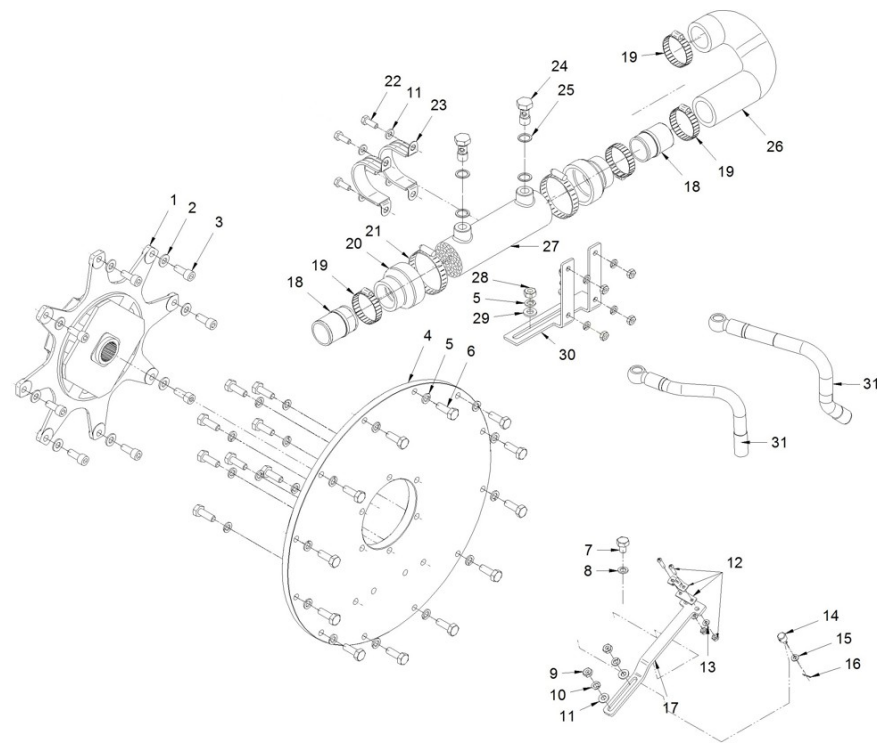
D_19510200.2		Kit GearBox TM-265/A				
Fig.	Ref.	Qty.	Descr.	Obs	From	UpTo
31	57000375	4	Washer 17-22-1,5			
32	14712015	2	Bolt,Coupling pipe oil			
33	19511002	1	Hose			
34	19012019	1	Bracket, Cooler Oil			
35	52103257	4	Bolt DIN 912 M8-20 8.8			
36	53033010	14	Washer GROWER DIN 127-10			
37	51031008	4	Washer DIN 9021 8			
39	52102361	6	Bolt DIN 933 M12-40 8.8			
39	52120010	2	Nut DIN 934 M10 8.8			
NS	17112024	1	Pipe, rev.oil Cooler			
NS	19412018	1	Pipe, rev.oil Cooler			

**IMAGEN
DISPONIBLE
PRÓXIMAMENTE**

**IMAGE AVAILABLE
COMING SOON**

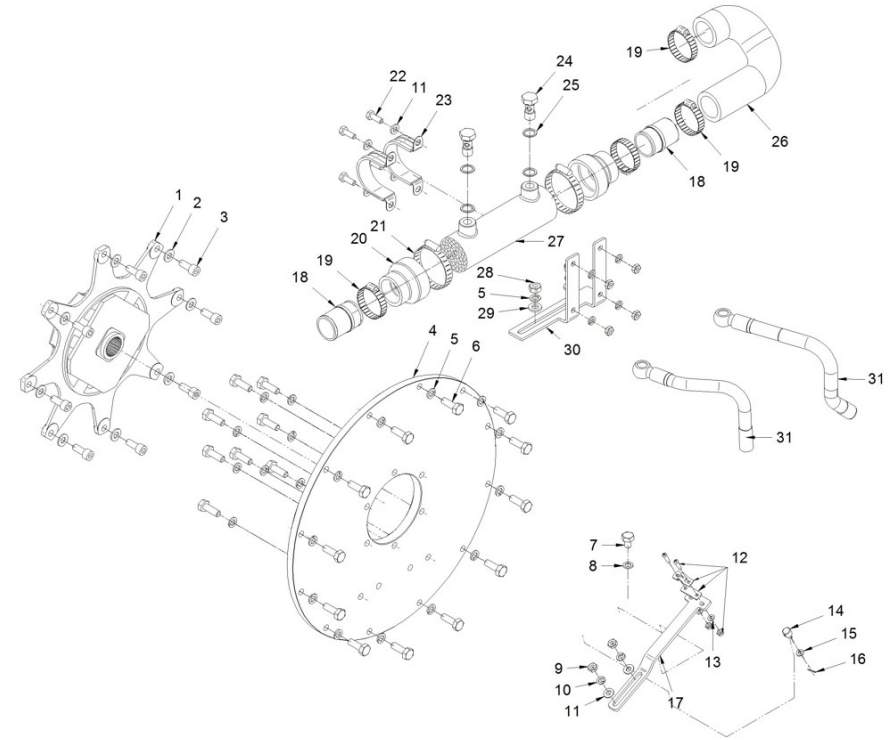
19510215.1 Kit GearBox TM-170/A/880A

Fig.	Ref.	Qty.	Descr.	Obs	From	UpTo
1	16510170	1	Flexible coupling type C SAE 11"1/2			
2	53038010	8	Washer DIN 6798-A 10			
3	52103308	8	Bolt DIN 912 M10-25 8.8			
4	24810021	1	SAE 3 housing TM-93/A/170/880A (H=12,5 mm)			
5	53033010	14	Washer GROWER DIN 127-10			
6	52102309	12	Bolt DIN 933 M10-30 8.8			
7	52102306	1	Bolt DIN 933 M10-15 8.8			
8	56000061	1	Washer 10-16-1,5			
9	52120008	6	Nut DIN 934 M8 8.8			
10	53033008	6	Washer GROWER DIN 127-8			
11	51030008	6	Washer DIN 125-8			
12	24810913	1	Clamp,CABLE			
13	51030005	2	Washer DIN 125-5			
14	14719115	1	Coupling,cable			
15	51030006	4	Washer DIN 125-6			
16	51051107	1	Pin DIN-94 1,6-16			
17	18619020	1	Bracket,Gear box control			
18	19411049	2	Coupling			
19	54082032	6	Clamp DIN 3017 32-50/12 W4			
20	19412002	2	Water Cooler Cover			
21	54082050	2	Clamp DIN 3017 50-70/12 W4			
22	52102257	4	Bolt DIN 933 M8-20 8.8			
23	59072604	2	Clamp			
24	14712015	2	Bolt,Coupling pipe oil			
25	59031017	4	Washer			
26	19511002	1	Hose			
27	1A012051	1	Cooler,oil			
28	52120010	2	Nut DIN 934 M10 8.8			
29	51030010	2	Washer DIN 125-10			
30	13912041	1	Bracket,TM Oil Cooler			
31	17112024	2	Pipe, rev.oil Cooler			



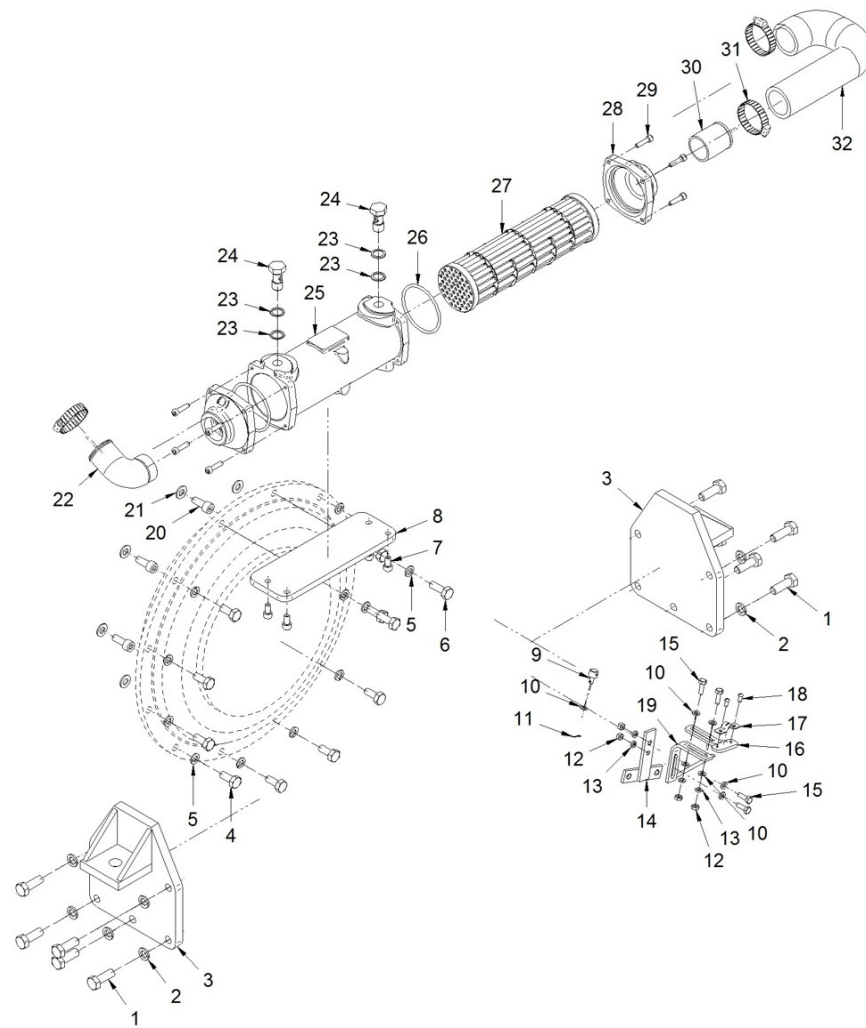
19510215.1 Kit GearBox TM-170/A/880A

Fig.	Ref.	Qty.	Descr.	Obs	From	UpTo
NS	M87504252	0.0	Water Intake Hose (HQ) D. 42-52			



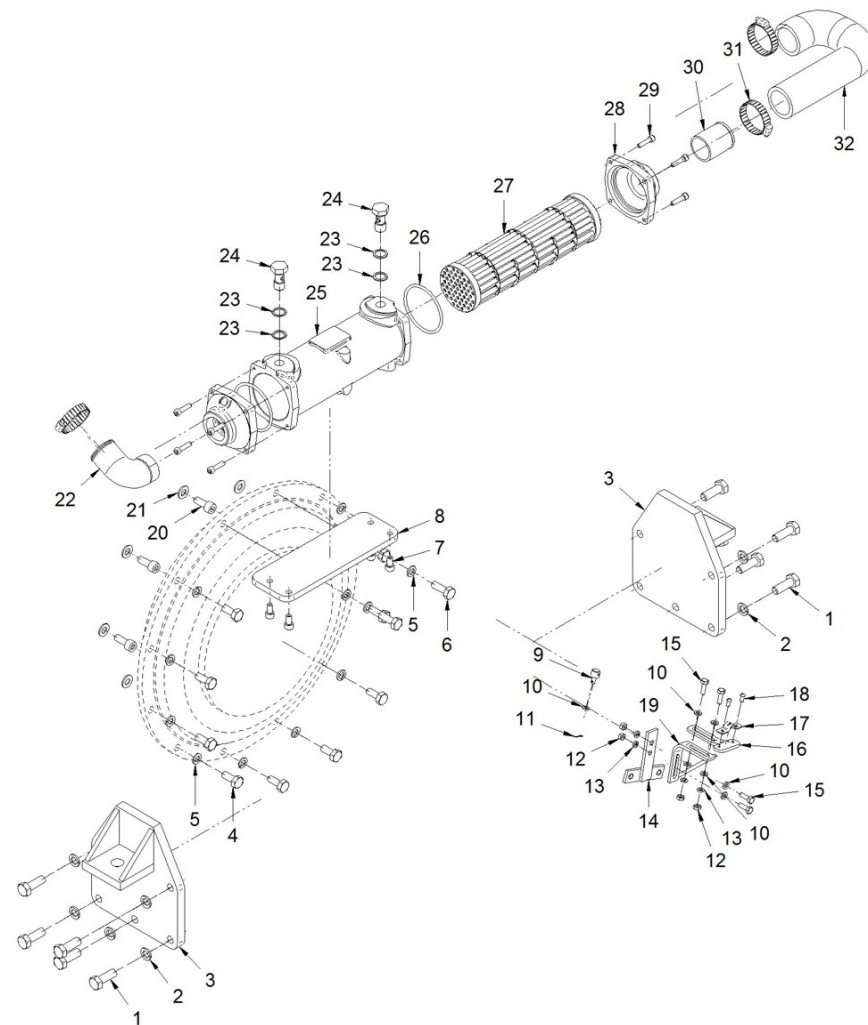
19510220.1 Kit GearBox TM-200B

Fig.	Ref.	Qty.	Descr.	Obs	From	UpTo
1	52102360	10	Bolt DIN 933 M12-35 8.8			
2	53033012	10	Washer Grower DIN 127-12			
3	16710005	2	Bracket,TM200 reverse			
4	52102308	10	Bolt DIN 933 M10-25 8.8			
5	53033010	12	Washer GROWER DIN 127-10			
6	52102309	2	Bolt DIN 933 M10-30 8.8			
7	52103256	4	Bolt DIN 912 M8-16 8.8			
8	19412019	1	Bracket, Cooler Oil			
9	14719115	1	Coupling,cable			
10	51030006	10	Washer DIN 125-6			
11	51051107	1	Pin DIN-94 1,6-16			
12	52120006	4	Nut DIN 934 M6 8.8			
13	53033006	4	Washer GROWER DIN 127-6			
14	19119001	1	Bracket			
15	52102157	4	Bolt DIN 933 M6-20 8.8			
16	13319004	1	Bracket,adjustment morse engin			
17	14719013	1	Clamp,cable			
18	55307104	2	Bolt DIN 86 W3/16-10			
19	12119020	1	Bracket,Gear box control			
20	52103308	8	Bolt DIN 912 M10-25 8.8			
21	53038010	8	Washer DIN 6798-A 10			
22	16511009	1	Elbow			
23	57000375	4	Washer 17-22-1,5			
24	14712015	2	Bolt,Coupling pipe oil			
25	14712001	1	Body,cooler			
26	14712004	2	O-Ring D. 72X4			
27	14712003	1	Tubular Bundle			
28	19412003	2	Water Cooler Cover			
29	52103158	8	Bolt DIN 912 M6-25 8.8			
30	19411048	1	Coupling			
31	54082032	2	Clamp DIN 3017 32-50/12 W4			



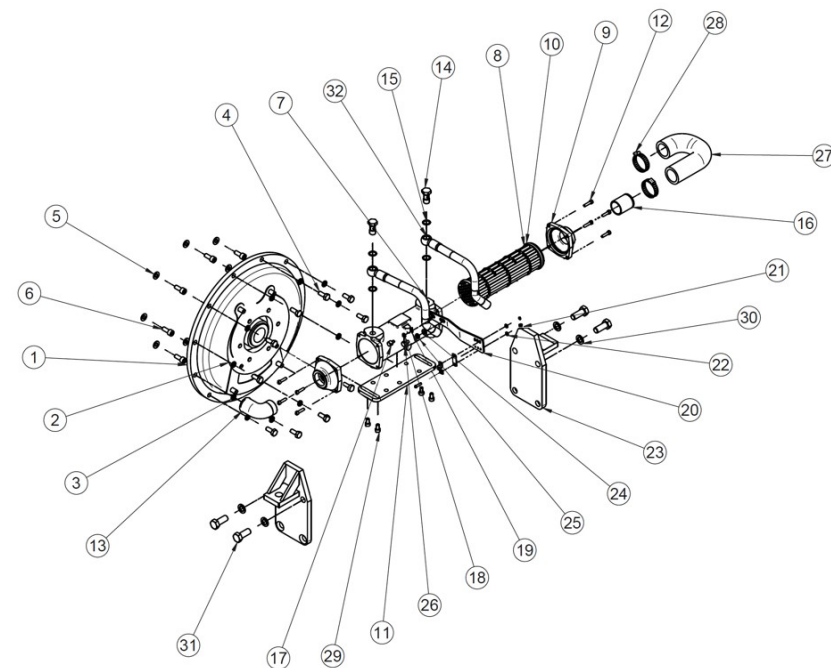
19510220.1 Kit GearBox TM-200B

Fig.	Ref.	Qty.	Descr.	Obs	From	UpTo
32	18211013.1	1	Rubber Elbow D.40			
NS	19412018	1	Pipe, rev.oil Cooler			
NS	19412020	1	Pipe, rev.oil Cooler			
NS	M87504252	0.0	Water Intake Hose (HQ) D. 42-52			



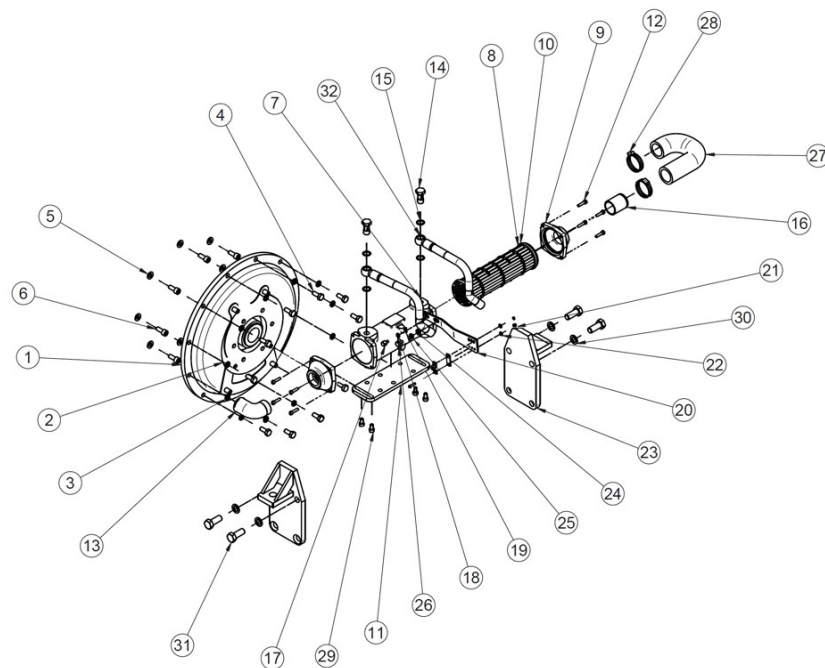
19610215 Kit GearBox TM-1200A

Fig.	Ref.	Qty.	Descr.	Obs	From	UpTo
1	24846021	1	SAE 3 housing TM-1200A			
2	24846010	1	Flexible coupling CFR 136 11" 1/2			
3	53033010	12	Washer GROWER DIN 127-10			
4	52102309	12	Bolt DIN 933 M10-30 8.8			
5	53038010	8	Washer DIN 6798-A 10			
6	52103308	8	Bolt DIN 912 M10-25 8.8			
7	14712001	1	Body,cooler			
8	14712003	1	Tubular Bundle			
9	19412003	2	Water Cooler Cover			
10	14712004	2	O-Ring D. 72X4			
11	19012019	1	Bracket, Cooler Oil			
12	52103158	8	Bolt DIN 912 M6-25 8.8			
13	16511009	1	Elbow			
14	14712015	2	Bolt,Coupling pipe oil			
15	57000375	4	Washer 17-22-1,5			
16	19411048	1	Coupling			
17	14719115	1	Coupling,cable			
18	51030006	4	Washer DIN 125-6			
19	51051107	1	Pin DIN-94 1,6-16			
20	24810901	1	Bracket, GearBox Control			
21	24810913	1	Clamp,CABLE			
22	51030005	2	Washer DIN 125-5			
23	19610009	2	Bracket,Reverse TM-1200A			
24	51030008	2	Washer DIN 125-8			
25	53033008	2	Washer GROWER DIN 127-8			
26	52102256	2	Bolt DIN 933 M8-16 8.8			
27	19411034	1	Pipe, Rubber			
28	54082032	2	Clamp DIN 3017 32-50/12 W4			
29	52103256	4	Bolt DIN 912 M8-16 8.8			
30	53033016C	8	Washer			
31	52102461	8	Bolt DIN 933 M16-40 8.8			



19610215 Kit GearBox TM-1200A

Fig.	Ref.	Qty.	Descr.	Obs	From	UpTo
32	17112024	2	Pipe, rev.oil Cooler			
NS	54082040	2	Clamp DIN 3017 40-60/12 W4			
NS	M87504252	1	Water Intake Hose (HQ) D. 42-52			



19410211.1 Kit GearBox DONG-I DMT100HL/90A

Fig.	Ref.	Qty.	Descr.	Obs	From	UpTo
1	53033010	20	Washer GROWER DIN 127-10			
2	52103308	8	Bolt DIN 912 M10-25 8.8			
3	52102309	10	Bolt DIN 933 M10-30 8.8			
4	52120010	2	Nut DIN 934 M10 8.8			
5	16713011	2	Stud			
6	19410007	2	Bracket Inv. DONG-I-I			
7	16511009	2	Elbow			
8	54082040	2	Clamp DIN 3017 40-60/12 W4			
NS	M87504252	1.0	Water Intake Hose (HQ) D. 42-52			

