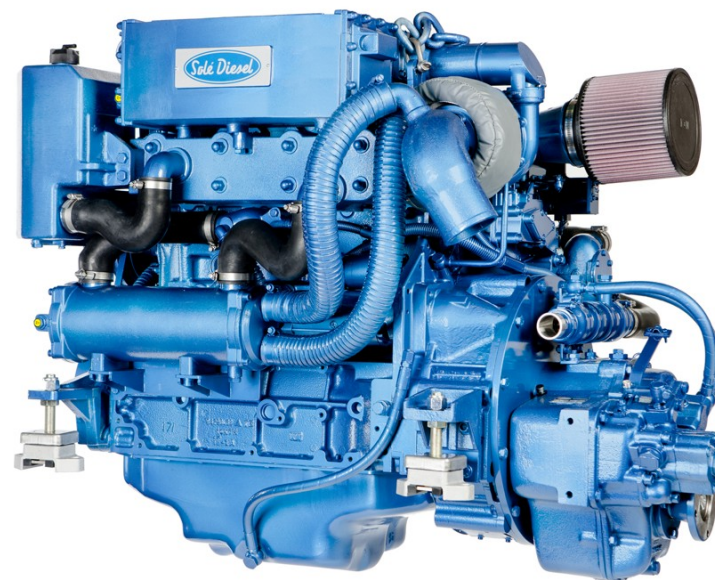
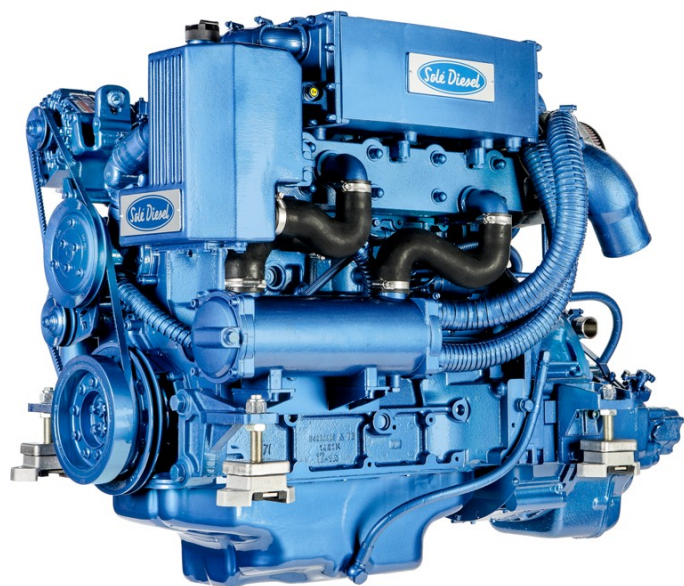




# Engine SDZ-165

VERSION 2024-3

PART LIST



# PARTS LIST CATALOGUE

## NORMS TO PLACE AN ORDER

For fast and more efficient service, please specify the following information on spare parts orders that must be preferably done by e-mail as specified below:

- 1- Engine model: As shown in identification plate
- 2- Engine serial number: As shown in identification plate and stamped on crankcase
- 3- Item description + part number + quantity required

---

Spare parts requests must be addressed to :

[orders@solediesel.com](mailto:orders@solediesel.com)

Telf.: +34 93 775 44 05

---

The components shown in the catalog have:

- Figure: Number by which they are represented in scheme
- Description: Trade name of the component
- Quantity: Total number of parts used in the assembly of the part represented (may differ from the total minimum quantities)

Hoses, indicates the total length in meters

---

The diagrams shown in this catalog of spare parts, have only the purpose to identify the piece in question, its representation is not meaningful and may differ from the actual piece.

In case of doubt, contact Solé Diesel, or your authorized dealer.

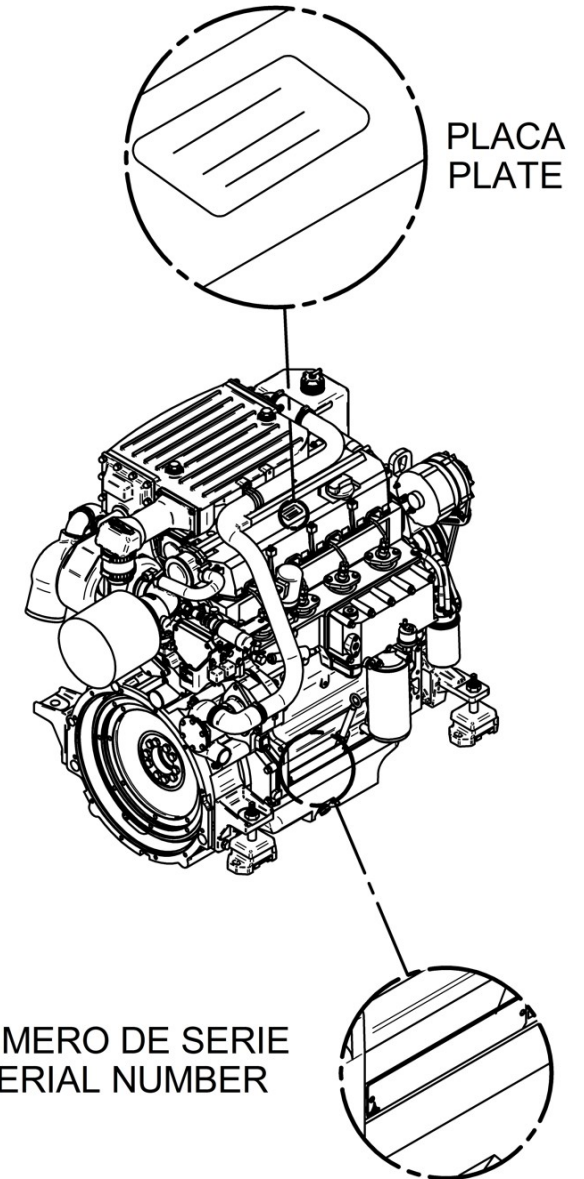
The parts i / or references in this catalog are subject to change without notice.

---

**SOLE, S.A.**

C-243b, km, 2 - P.O. BOX 25  
08760 Martorell (Barcelona) Spain

---



# Index

## Engine Body

Cylinder Head  
 Rocker Cover & Breather  
 Valve Drive  
 Timing Parts  
 Gear Case  
 Crankcase  
 Flywheel Housing  
 Piston & Connecting Rod  
 Crankshaft & Flywheel  
 Oil System  
 Oil Pan  
 Engine Brackets  
 Bracket, Engine Control  
 Oil Cooler

## Inlet & Exhaust

Inlet  
 Turbocharger  
 Spare Parts, Turbocharger  
 Spare SDZ-165/280 Intercooler Kit  
 Exhaust Manifold  
 MANIFOLD, Assy  
 Breather Line

## Cooling System

Water Pump  
 Cooler Pipes  
 Wet Exhaust  
 Water Cooler Assy SDZ-165/205/280  
 Expansion Tank  
 Key Pump SDZ-165/205/280 Gr-109/165

## Fuel System

Fuel Pipe  
 Injection Nozzle  
 Fuel Injection Pump  
 Governor Parts  
 Fuel Filter  
 Feed Pump

## 24V Electrical System

24V Electrical Wiring  
 Kit Alternator 24V/55A  
 Starter  
 SVT 30 SDZ-165/205/280 Panel  
 Panel SSG 30 Spare Parts  
 Engine Extension

Gasket Kit  
 Fuel Filter  
 Hand Pump  
 Pipe Rubber Set  
 Special Tools 1/4  
 Special Tools 2/4  
 Special Tools 3/4  
 Special Tools 4/4

## Gearbox TM-265

Sheet 1.1/4  
 Sheet 1.2/4  
 Input Shaft 2/4  
 Intermediate Shaft 3/4  
 Output Shaft 4/4  
 Maintenance Kit

## Gearbox TM-265A

Sheet 1.1/4  
 Sheet 1.2/4  
 Input Shaft 2/4  
 Intermediate Shaft 3/4  
 Output Shaft 4/4  
 Maintenance Kit

## Gearbox TM-880A

Sheet 1.1/4  
 Sheet 1.2/4  
 Sheet 1.3/4  
 Input Shaft 2/4  
 Intermediate Shaft 3/4  
 Output Shaft 4/4  
 Maintenance Kit

## Gearbox TM-170

Sheet 1.1/4  
 Sheet 1.2/4  
 Sheet 1.3/4  
 Input Shaft 2/4  
 Intermediate Shaft 3/4  
 Output Shaft 4/4  
 Maintenance Kit

## Gearbox TM-93

Sheet 1.1/4  
 Sheet 1.2/4  
 Sheet 1.3/4  
 Intermediate Shaft 2/4  
 Input Shaft 3/4  
 Output Shaft 4/4  
 Maintenance Kit

Sheet 1/5  
 Sheet 2/5  
 Sheet 3/5  
 Sheet 4/5  
 Sheet 5/5

## Gearbox TM-200B

Housing 1/4  
 Sheet 2/4  
 Sheet 3/4  
 Sheet 4/4  
 Maintenance Kit

## Gearbox DMT-100IV

Sheet 1/9  
 Sheet 2/9  
 Sheet 3/9  
 Sheet 4/9  
 Sheet 5/9  
 Sheet 6/9  
 Sheet 7/9  
 Sheet 8/9  
 Sheet 9/9

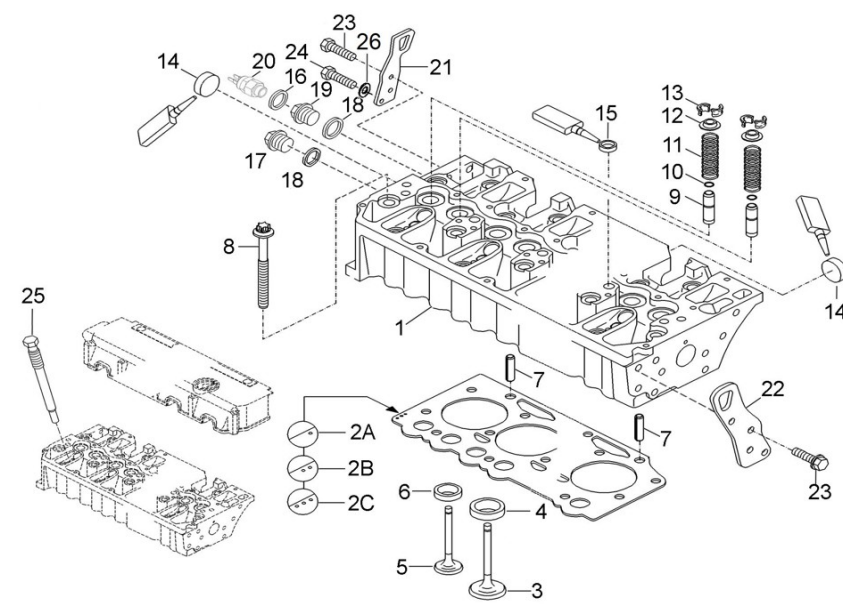
## Gearbox DMT-100 HL

Sheet 1/9  
 Sheet 2/9  
 Sheet 3/9  
 Sheet 4/9  
 Sheet 5/9  
 Sheet 6/9  
 Sheet 7/9  
 Sheet 8/9  
 Sheet 9/9

## Kit Gearbox

Kit GearBox TM-265/A  
 Kit GearBox TM-170/170A/880A  
 Kit GearBox TM-93  
 Kit GearBox ZF 68 IV (MAX 3000H/YEAR)  
 Kit GearBox TM-200B  
 Kit GearBox DONG-I DMT100HL/90A

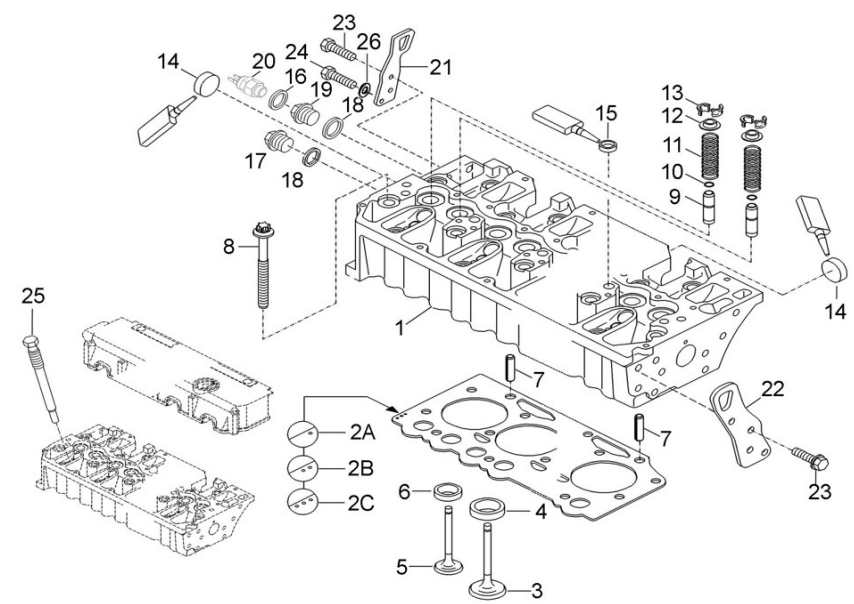
D_SD17_1_1		Cylinder Head				
Fig.	Ref.	Qty.	Descr.	Obs	From	UpTo
1	19421001	1	Cylinder Head			
2A	19421004	1	Cylind.Head Gasket 1,54 mm			
2B	19421004.1	1	Cylind.Head Gasket 1,64 mm			
2C	19421004.2	1	Cylind.Head Gasket 1,74 mm			
3	19422055.2	4	Intake Valve			
4A	19421061	4	Valve Seat INSERT			
4B	19421061.1	0	OverSIZE Valve Seat INSERT - 1ST	#		
4C	19421061.2	0	OverSIZE Valve Seat INSERT - 2nd	#		
5	19422056	4	Exhaust Valve			
6A	19421062	4	Valve Seat INSERT			
6B	19421062.1	0	OverSIZE Valve Seat INSERT - 1A	#		
6C	19421062.2	0	OverSIZE Valve Seat INSERT - 2nd	#		
7	19421007	2	ClAMPING Bush			
8	19421005	18	Bolt,cylinder head			
9A	19421002A	8	Valve Guide			
9B	19421002.1	0	OverSIZE Valve Guide - 1ST	#		
9C	19421002.2	0	OverSIZE Valve Guide - 2nd	#		
10	19422054	8	O-Ring			
11	19422057	8	COMPRESSION Spring			
12	19422058	8	VALV.Spring RETAIN			
13	19422059	16	Valve COLLET			
14	19420011	3	Plug			
15	19421008	3	CORE Hole Plug			
16	56000069	1	Washer 14-20-1,5			
17	19420071.1	1	Screw Plug		22/11/2017	
17	60900988	1	Temperature Sensor			21/11/2017
18	19421019	2	SeallNG Ring			
19	19417003	1	Adapter Plug			
20	60994070	1	Thermo-switch 110°			
21	19410020	1	Bracket			
22	19420081	1	SUSPENSING Plate			





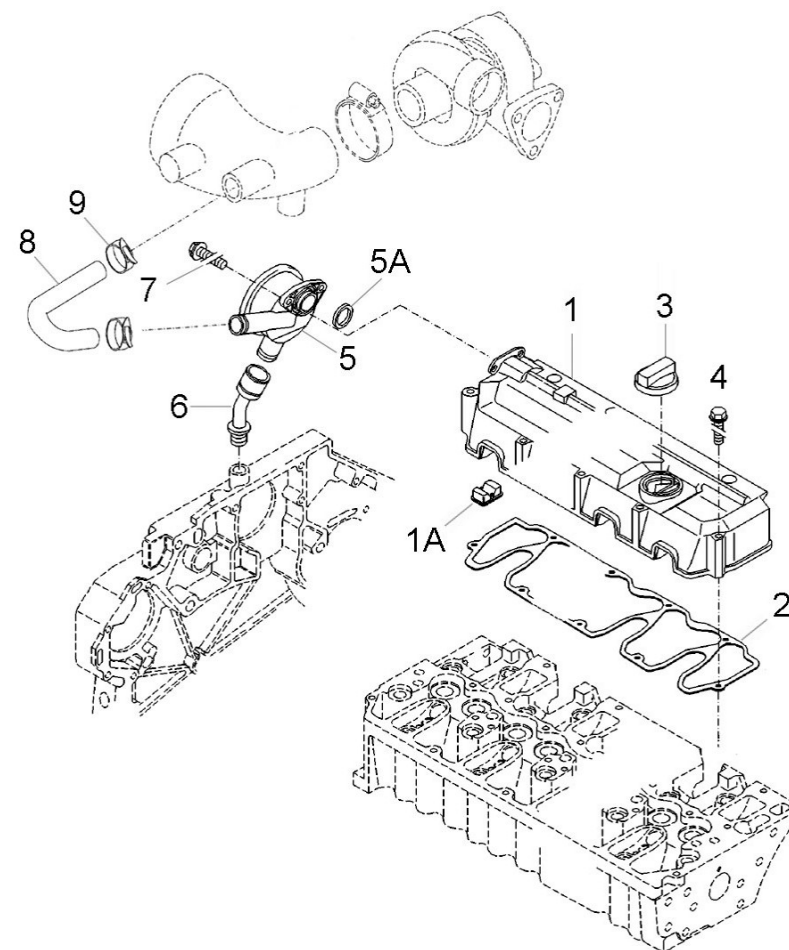
D\_SD17\_1\_1 Cylinder Head

Fig.	Ref.	Qty.	Descr.	Obs	From	UpTo
23	19420079	4	Screw			
24	52102309	2	Bolt DIN 933 M10-30 8.8			
25	19420217	1	BLANKING PARTS			
26	53033010	2	Washer GROWER DIN 127-10			
NS	19421017	1	SAFETY/LOCK.AGENT			



D\_SD17\_1\_2 Rocker Cover & Breather

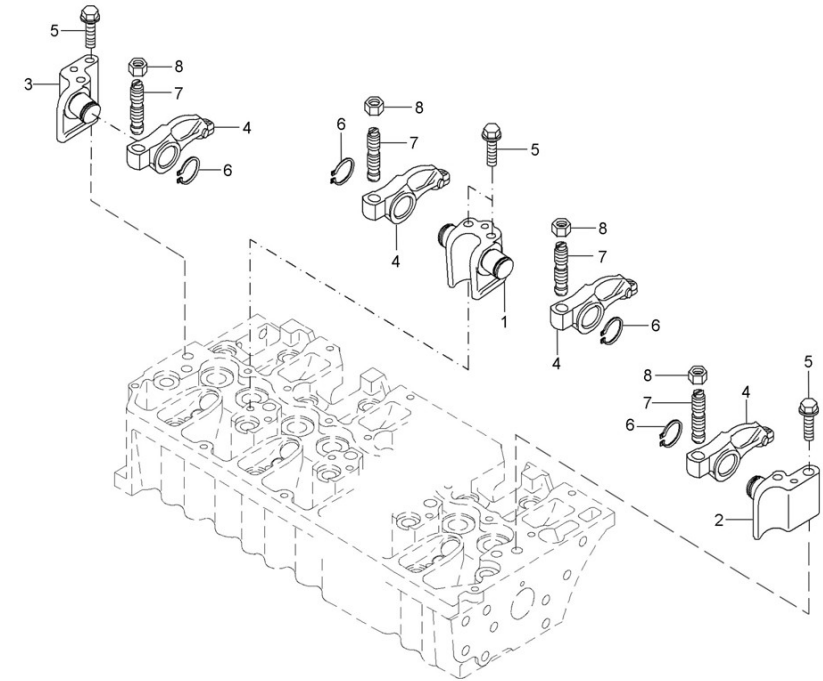
Fig.	Ref.	Qty.	Descr.	Obs	From	UpTo
1	19421009	1	Valve MECHAN.Cover			
1A	19421011	1	Cap			
2	19421010	1	Rocker Cover Gasket			
3	19421003	1	FILLER Cap			
4	19421012	9	HEXAGON Bolt			
5	19421051	1	Pressure REGULATO			
5A	19421052	1	Gasket			
6	19421054	1	Rubber SLEEVE			
7	19421053	2	HEXAGON Bolt			
8	19421057.1	1	Hose DESAirA			
9	19421056	2	Hose Clip			



D\_SD17\_1\_3

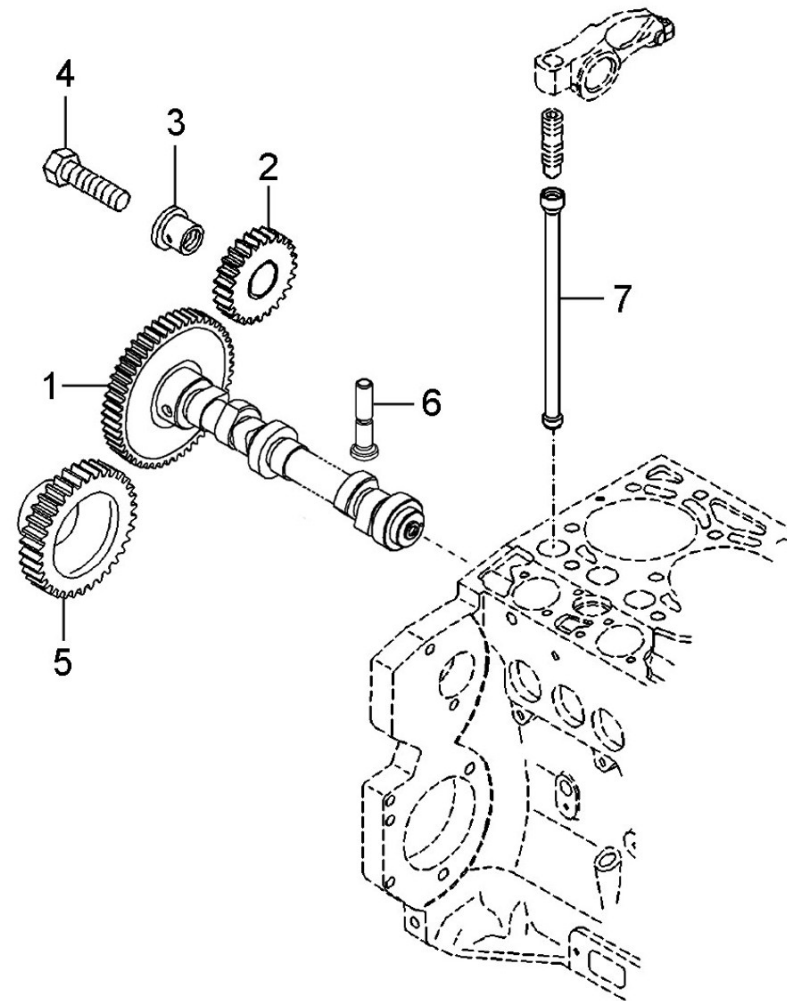
Valve Drive

Fig.	Ref.	Qty.	Descr.	Obs	From	UpTo
1	19422045	1	Rocker ARM Bracket			
2	19422045.1	1	Rocker ARM Bracket			
3	19422045.2	1	Rocker ARM Bracket			
4	19422042	4	Rocker ARM			
5	19422053	6	HEXAGON Bolt			
6	19422047	4	CIRClip			
7	19422044	4	Screw Adjusting			
8	19422052	4	Nut			



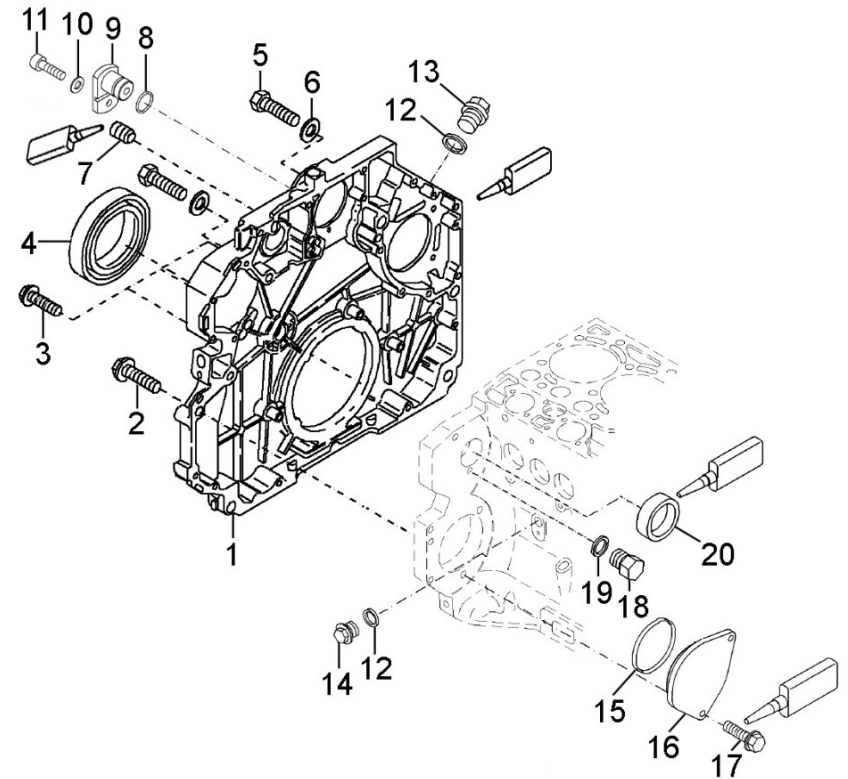
D\_SD17\_1\_4 Timing Parts

Fig.	Ref.	Qty.	Descr.	Obs	From	UpTo
1	19422030	1	CamShaft			
2	19422065	1	TOOTHED Gear			
3	19422067	1	THREADED PIECE			
4	19422066	1	HEXAGON Bolt			
5	19421124	1	Toothed Gear			
6	19422061	2	Tappet			
7	19422041	2	PUSHROD			



D\_SD17\_1\_5 Gear Case

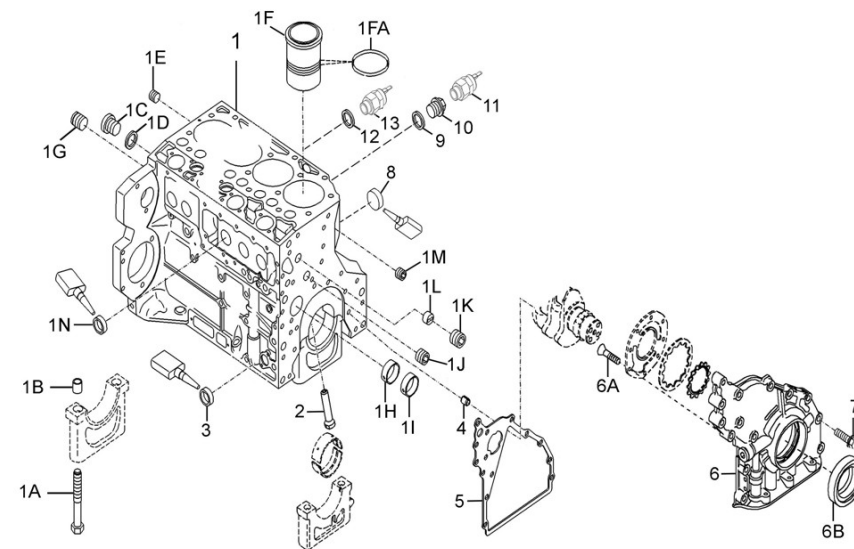
Fig.	Ref.	Qty.	Descr.	Obs	From	UpTo
1	19420055.1	1	GearCase			
2	19420027	12	Screw			
3	19421144	1	Hexagon Bolt			
4	19420039.1	1	ROT.Shaft LIP Seal			
5	19420056.1	2	Screw			
6	19420057.2	2	Plain Washer			
7	19420058.1	1	Screw			
8	19420200	1	O-Ring			
9	19420188	1	Plug			
10	19420201	1	Plain Washer			
11	19420187	1	Bolt			
12	19421016	2	Sealing Ring			
13	19421020	1	Screw Plug			
14	19420071.1	1	Screw Plug			
15	19420226	1	O-Ring D. 100X4			
16	19420225	1	Cover			
17	19420227	2	HEXAGON Bolt			
18	19421023	2	Screw Plug			
19	19424087	2	Sealing Ring			
20	19421024	1	Core Hole Plug			
NS	19420013	1	SAFETY/LOCK.AGENT			
NS	19420152	1	SAFETY/LOCK.AGENT			





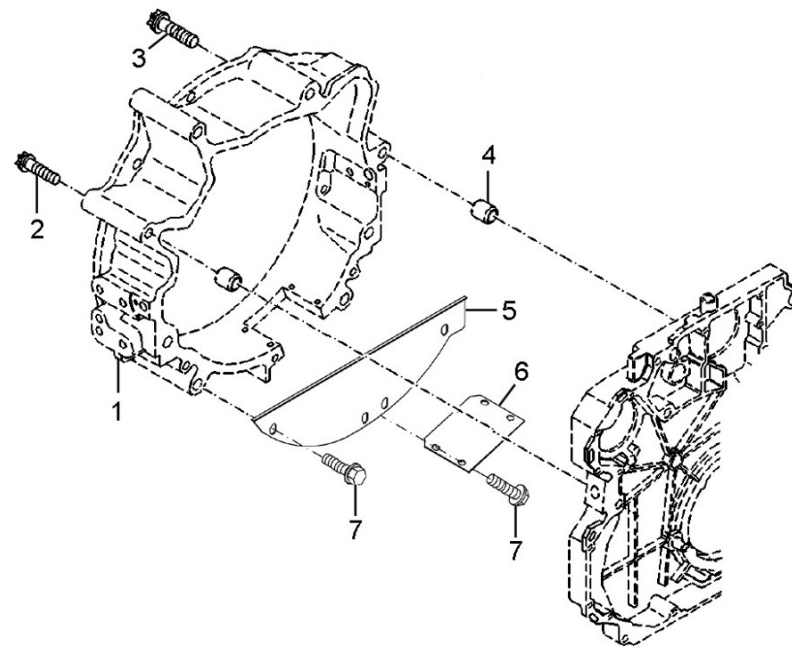
D\_SD17\_1\_6 Cranckcase

Fig.	Ref.	Qty.	Descr.	Obs	From	UpTo
1	19420001	1	CRANKCase			
1A	19420061	10	Screw			
1B	19420062	10	Bush			
1C	19420063	2	Screw Plug			
1D	19420064	4	SeallNG Ring			
1F	19420050	4	Cylinder LINER			
1FA	19420074	8	O-Ring D. 115X3			
1G	19420073.1	1	Screw Plug			
1H	19420069	1	Bearing Bush			
1I	19420068	4	Bearing Bush			
1J	19420066	1	Screw Plug			
1K	19420065	1	Screw Plug			
1L	19420072	1	Guide SLEEVE			
1M	19420067	2	Screw Plug			
1N	19420070.1	6	CORE Hole Plug			
2	19420034	4	Piston COOL.Nozzle			
3	19420011	1	Plug			
4	19420028	1	ClampNG Bush			
5	19420026.2	1	Gasket			
6	19420025	1	Front Cover			
6A	19420009	8	Screw			
6B	19420008	1	ROT.Shaft LIP Seal			
7	19420027	14	Screw			
8	19420180	1	CORE Hole Plug			
9	56000069	1	Washer 14-20-1,5			
10	19417001	1	Plug			
11	60900076	1	Switch, oil press			
12	56000219	1	Washer 14-20-3		21/11/2017	
13	19420071	1	Screw Plug			21/11/2017
13	60900988	1	Temperature Sensor		21/11/2017	11/01/2022
NS	19420013	1	SAFETY/LOCK.AGENT			



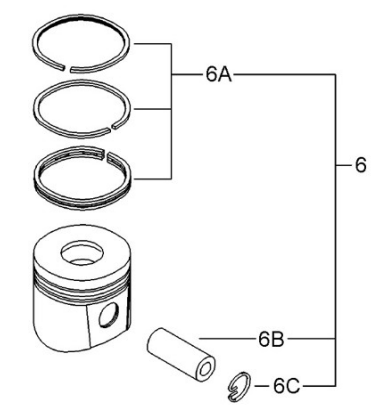
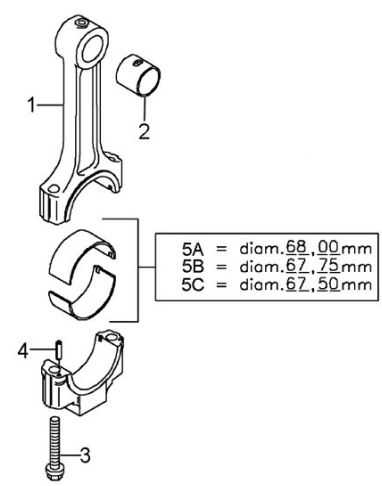
D\_SD17\_1\_7 Flywheel Housing

Fig.	Ref.	Qty.	Descr.	Obs	From	UpTo
1	19420211	1	Connection Housing			
2	19420203	2	Bolt			
3	19420204	4	Bolt			
4	19420210	2	Bush			
5	19420213	1	Cover			
6	19420205	1	Cover			
7	19428054	7	Screw			



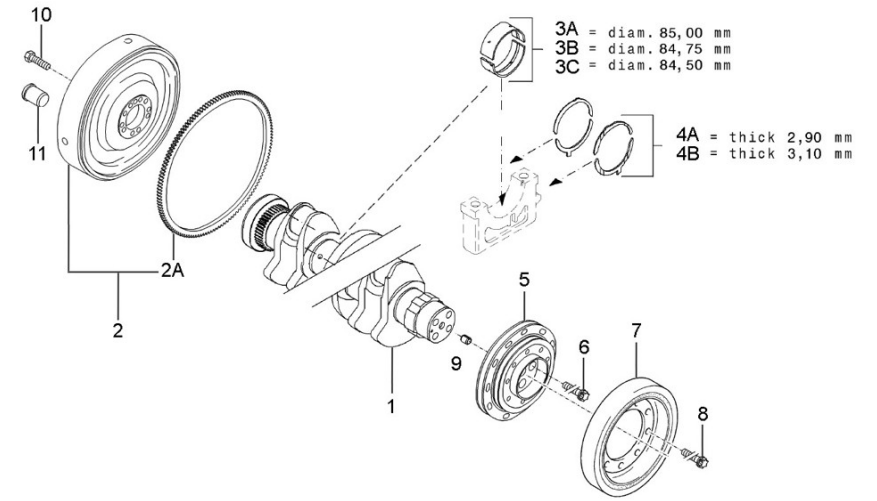
D\_SD17\_1\_8 Piston & Connecting Rod

Fig.	Ref.	Qty.	Descr.	Obs	From	UpTo
1	19422012	4	Connecting Rod			
2	19422033	4	BIG END Bush			
3	19422013	8	Bolt,connecting rod			
4	19422009	8	ClampING Bush			
5A	19422014	4	BIG END Bearing Std.			
5B	19422015	0	BIG END Bearing -0,25	#		
5C	19422016	0	BIG END Bearing -0,50	#		
6	19522001.1	4	Piston			
6A	19422006	4	Set OF PIST. RingS			
6B	19422011.1	4	Piston Pin			
6C	19422010	8	CIRClip			

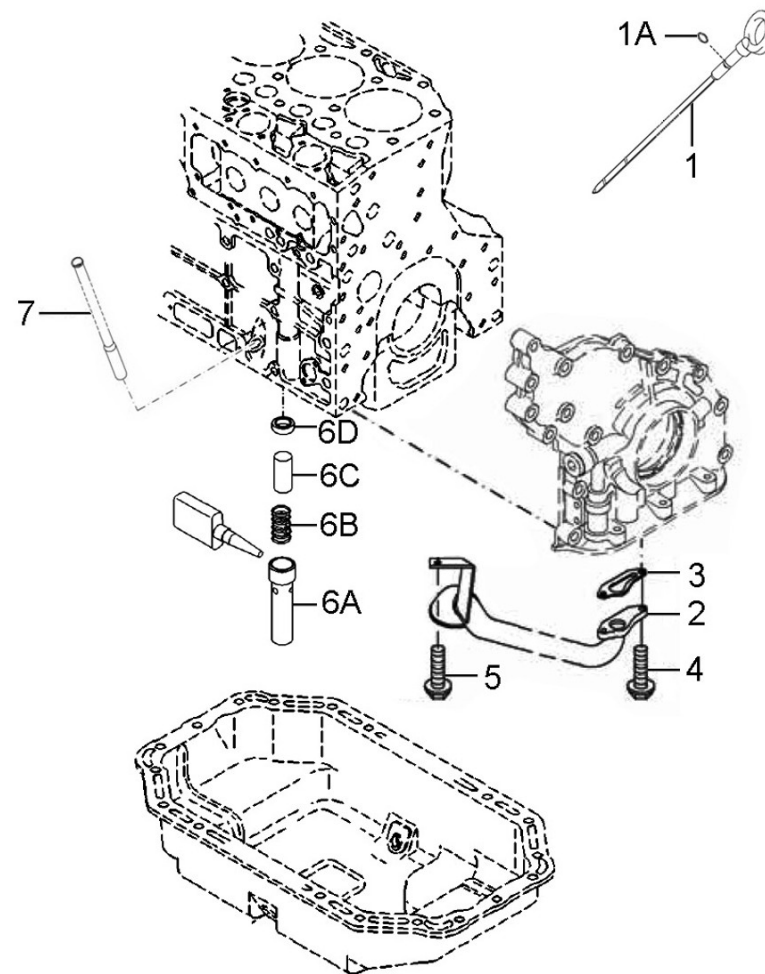


D\_SD17\_1\_9 Crankshaft & Flywheel

Fig.	Ref.	Qty.	Descr.	Obs	From	UpTo
1A	19422018G	1	CrankShaft			
1B	19422018	1	CrankShaft			
2	19422027	1	Flywheel			
2A	19422029.1	1	Gear RIM			
3A	19420003	5	Bearing Set STD.			
3B	19420004	0	Bearing Set -0,25	#		
3C	19420005	0	Bearing Set -0,50	#		
4A	19420109.1	10	THRUST Washer			
4B	19420105.1	0	THRUST Washer	#		
5	19422024.1	1	Pulley CrankShaft			
6	19422026.1	4	HEXAGON Bolt			
7	19422034	1	Damper			
8	19420227	9	HEXAGON Bolt			
9	19422036	1	ClampING Bush			
10	19422031	10	HEXAGON Bolt			
11	19422038	5	Plug			



D_SD17_1_10		Oil Sysem			
Fig.	Ref.	Qty.	Descr.	Obs	From UpTo
1	19620029.1	1	Gauge Oil Level		
1A	19620029.2	1	O-Ring		
2	19424052.1	1	Oil SUCTION Pipe		
3	19424056.1	1	Gasket		
4	19424006	2	HEXAGON Bolt		
5	19420036	1	Screw		
6	19420040	1	Valve Assy		
6A	19420043	1	SLEEVE		
6B	19420041	1	COMPRESSION Spring		
6C	19420042	1	Valve Plunger		
6D	19420044	1	Ring		
7	19620027	1	Guide Tube		

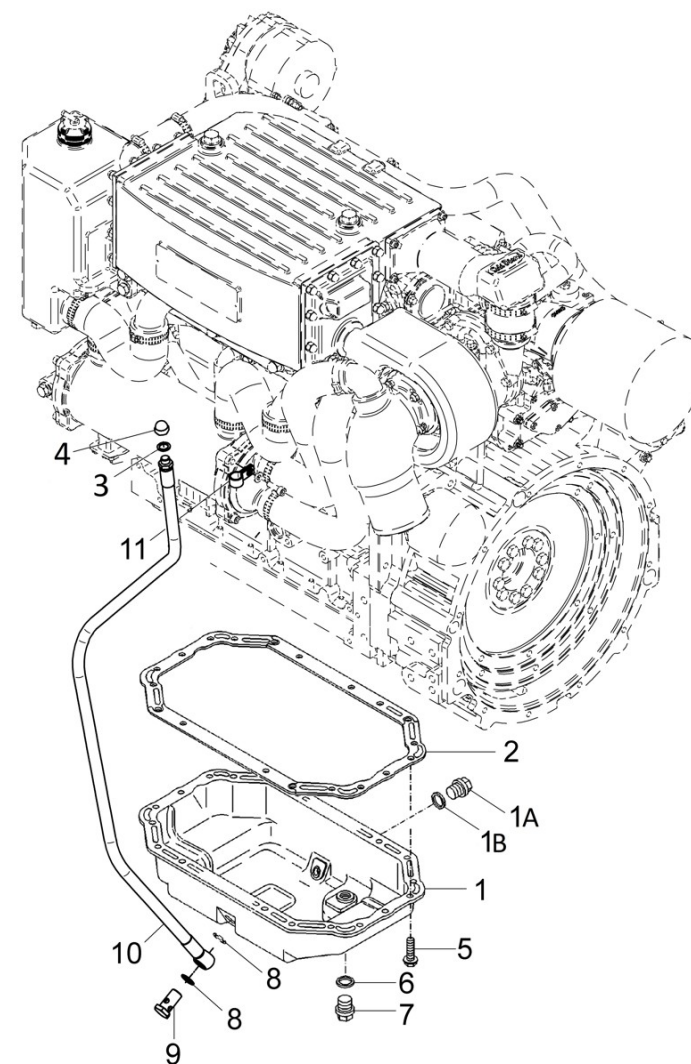




D\_SD17\_1\_11

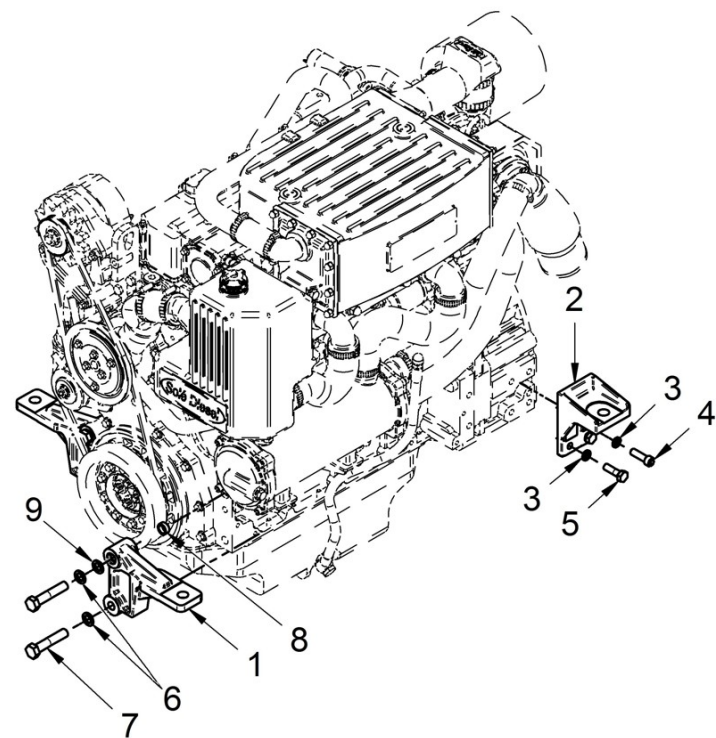
Oil Pan

Fig.	Ref.	Qty.	Descr.	Obs	From	UpTo
1	19420030.1	1	Oil Pan			
1A	19420031.1	1	Screw Plug			
1B	19420032	1	Ring			
2	19420033	1	Gasket			
3	56000069	1	Washer 14-20-1,5			
4	16514020	1	Plug			
5	19420036	26	Screw			
6	19420037.1	1	Sealing Ring			
7	19420036.1	1	Screw Plug			
8	56000077	2	Washer 18-23-1,5			
9	16514022	1	Coupling,screw 18x150			
10	19414021	1	Oil ExtraCTION Tube			
11	18014022	1	Bracket,pipe			



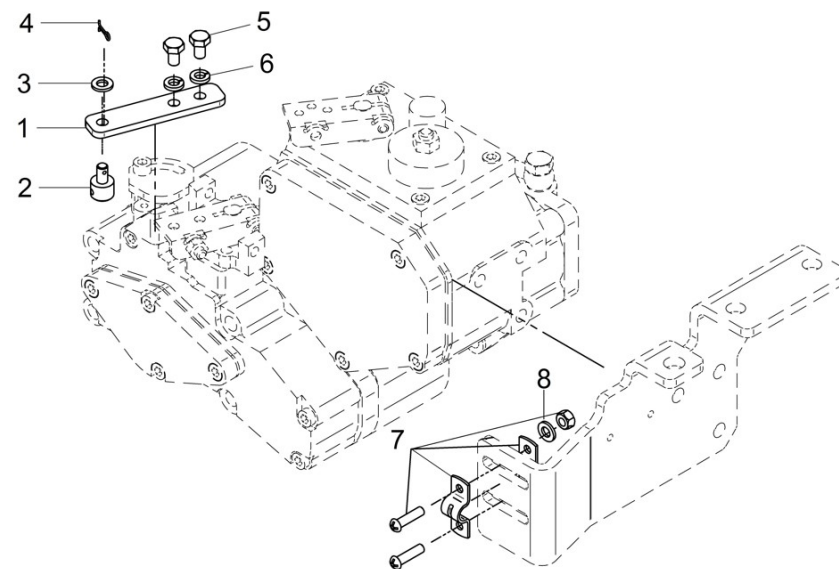
D\_SD17\_1\_12 Engine Brackets

Fig.	Ref.	Qty.	Descr.	Obs	From	UpTo
1	19410001	2	Bracket,Front			
2	19410002	2	Bracket,REAR			
3	53033012	8	Washer Grower DIN 127-12			
4	53103361	4	Bolt DIN 912 M12-40 12.9			
5	53101361	4	Bolt DIN 931 M12-40 12.9			
6	53033016C	4	Washer			
7	53101469	4	Bolt DIN 931 M16-80 12.9			
8	19410004	2	Bushing			
9	51035016	2	Washer DIN 433 M16			



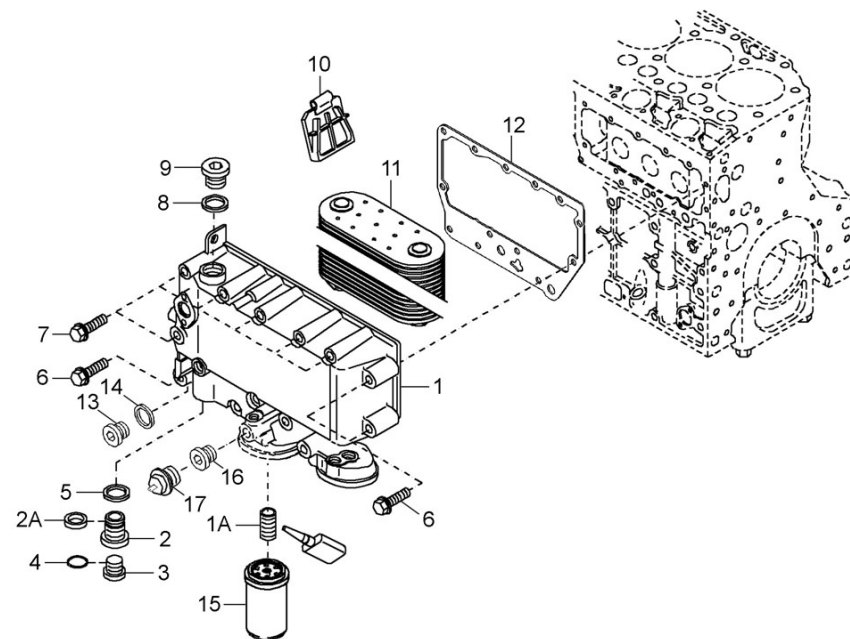
D\_SD17\_1\_13 Bracket, Engine Control

Fig.	Ref.	Qty.	Descr.	Obs	From	UpTo
1	19419002	1	Lever Morse			
2	14719115	1	Coupling,cable			
3	51030006	1	Washer DIN 125-6			
4	51051107	1	Pin DIN-94 1,6-16			
5	52102154	2	Bolt DIN 933 M6-10 8.8			
6	53033006	2	Washer GROWER DIN 127-6			
7	24810913	1	Clamp,CABLE			
8	51031005	2	Washer DIN 9021 5			



D\_SD17\_1\_14 Oil Cooler

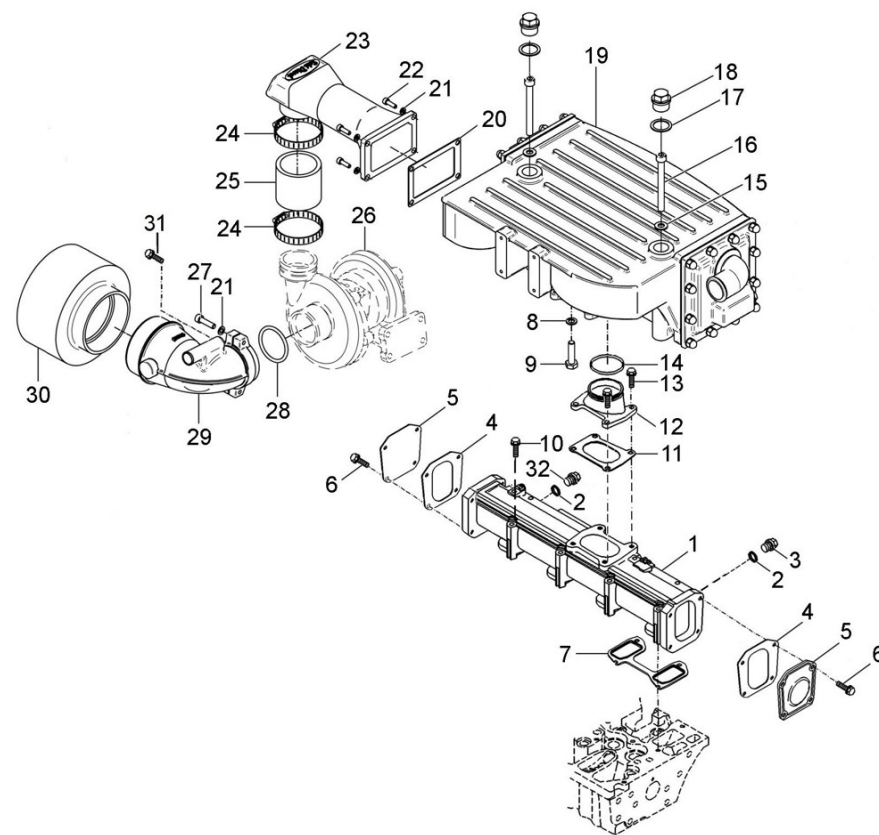
Fig.	Ref.	Qty.	Descr.	Obs	From	UpTo
1	19422110.1	1	Oil Cooler Box			
1A	19422114	1	Bush			
2	19422111	2	COLLAR Screw			
2A	19422115	2	Sealing Ring			
3	19422112	2	Plug			
4	19422113	2	O-Ring			
5	19422118	2	Sealing Ring			
6	19422120	3	HEXAGON Bolt			
7	19424083.1	10	HEXAGON Bolt			
8	19421019	1	Sealing Ring			
9	19422119	1	Plug			
10	19422116	1	CORE Hole Plug			
11	19422117	1	Oil Cooler			
12	19424084	1	Gasket			
13	19424081	1	Screw Plug			
14	19424082	1	Sealing Ring			
15	19424051	1	Oil Filter Element SDZ 165/205/280			
16	19417001	1	Plug			
17	60900985	1	Pressure Sensor			



D\_SD17\_2\_1

Inlet

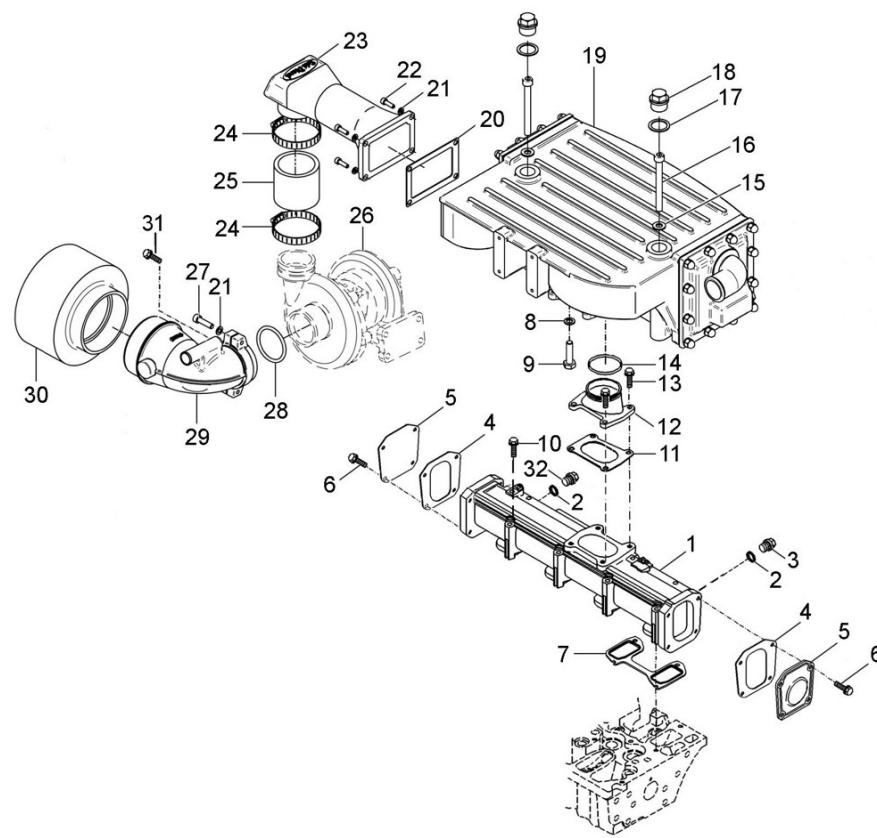
Fig.	Ref.	Qty.	Descr.	Obs	From	UpTo
1	19421080	1	CHARGE Air Pipe			
2	19421016	2	Sealling Ring			
3	19420063	1	Screw Plug			
4	19421047	2	Gasket			
5	19421045	2	Cover			
6	19420036	8	Screw			
7	19421063	2	Gasket			
8	53033008	2	Washer GROWER DIN 127-8			
9	52101311	2	Bolt DIN 931 M10-40 8.8			
10	19421012	8	HEXAGON Bolt			
11	19421034	1	Gasket		29/09/2019	
12	19410014	1	Adaptor			
13A	52102158	4	Bolt DIN 933 M6-25 8.8			
13B	51030006	4	Washer DIN 125-6			
13C	53033006	4	Washer GROWER DIN 127-6			
14	19421033	1	O-Ring D. 70X5 VITON			
15	56000061	2	Washer 10-16-1,5			
16	52103321.2	2	Bolt DIN 912 M10-92 8.8		07/09/2017	
16	52103322	2	Bolt DIN 912 M10-95 8.8			07/09/2017
17	56000093	2	Washer 26-34-1,5			
18	51218759	2	Bolt DIN 910 M26X1.5			
19	19410016R	1	Spare SDZ-165/280 Intercooler Kit			
20	19410018	1	Gasket			01/08/2019
20	LOCT5900.50	1	LOCTITE 5900 50ml		01/08/2019	
21	53038008	6	Washer DIN 6798-A 8			
22	52103257	4	Bolt DIN 912 M8-20 8.8			
23	19410017	1	Turbocharger, Adaptor			
24	54083079	2	GP Clamp 68-73 W4 STC			
25	19410030	1	Hose			
26	19428012.1	1	Turbocharger, Assy			
27	52103259	2	Bolt DIN 912 M8-30 8.8			





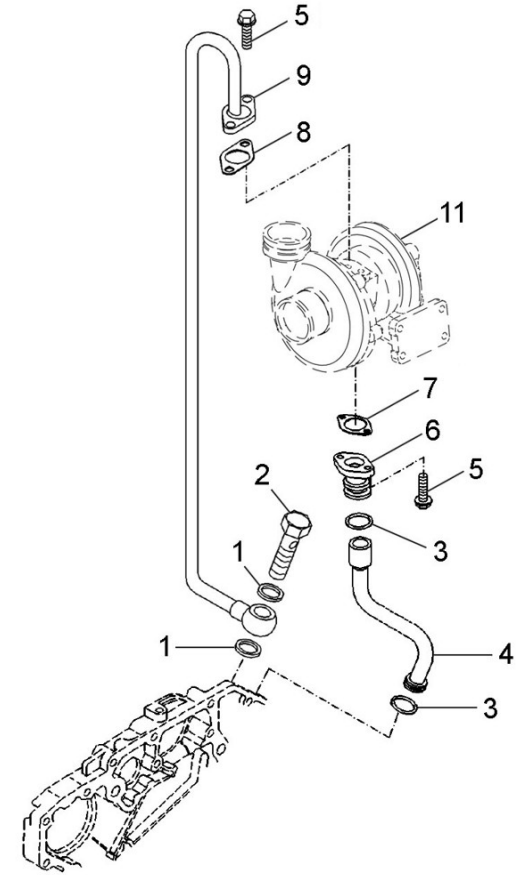
D\_SD17\_2\_1 Inlet

Fig.	Ref.	Qty.	Descr.	Obs	From	UpTo
28	19410023	1	O-Ring D. 58X5 VITON			
29	19410015	1	Bracket, Air Filter			
30	19410013	1	Air Filter			24/11/2016
30	19410032	1	Air Filter		24/11/2016	
31	52114153	1	Bolt DIN 916 M6-8 UMBRAC		01/02/2020	06/06/2022
31	52114155	1	Bolt DIN 916 M6-12 8.8		06/06/2022	
32	19421020	1	Screw Plug			
NS	17111060	1	Plate "SOLE Diesel"			
NS	17111062	2	Bolt			
NS	19421081	1	Ball Tube Supercharging		15/02/2017	



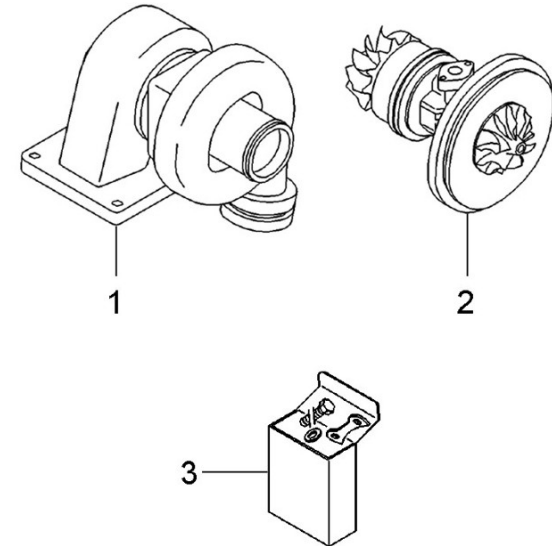
D\_SD17\_2\_2 Turbocharger

Fig.	Ref.	Qty.	Descr.	Obs	From	UpTo
1	19421016	2	SeallNG Ring			
2	19424066	1	Screw			
3	19428063	2	SeallNG Ring			
4	19428010	1	Retur Line			
5	19420163	4	Screw			
6	19428011	1	Plug-in Flange			
7	19428062	1	Gasket			
8	19428041	1	Gasket			
9	19424090G	1	LUBRICAT.Oil LINE			



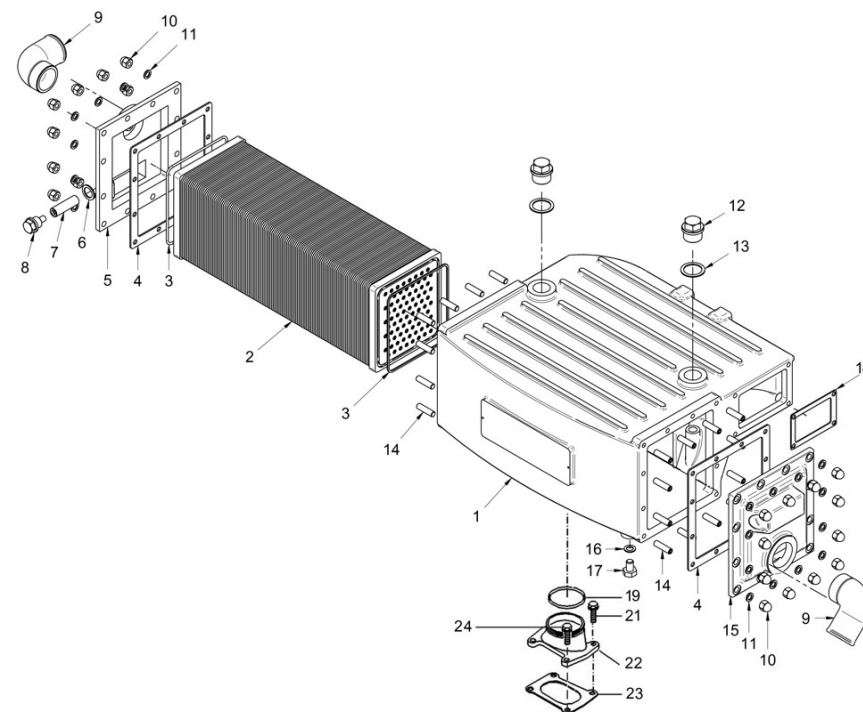
D\_SD17\_2\_3 Spare Parts, Turbocharger

Fig.	Ref.	Qty.	Descr.	Obs	From	UpTo
1	19428012.1	1	Turbocharger, Assy			
2	19428012.1A	1	CORE Assembly, TURBO			
3	19428012.1B	1	REPAir Kit			



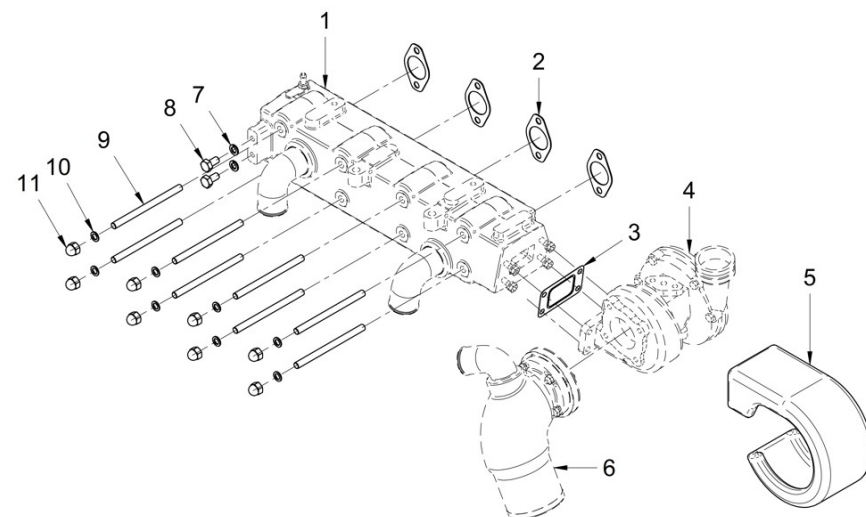
D\_19410016R Spare SDZ-165/280 Intercooler Kit

Fig.	Ref.	Qty.	Descr.	Obs	From	UpTo
1	19410016.10B	1	Housing			
2	19410016.40	1	Heat Exchanger InterCooler			
3	19410016.12	2	O-Ring INTERCooler			
4	19410016.7B	2	Gasket			
5	19410016.8	1	Intercooler cover, Preinstallation Anode			
6	56000073	1	Copper Washer 16-23-1,5			
7	18011031	1	Engine Anode 45 mm M.8			
8	18011009	1	Anode Plug			
9	16511009	2	Elbow			
10	55122008	24	Nut DIN 1587 M8			
11	56000057	24	Washer 8-13-1,5			
12	51218759	2	Bolt DIN 910 M26X1.5			
13	56000093	2	Washer 26-34-1,5			
14	52111259	24	ROD DIN 913 M8-30 8.8			
15	19410016.9	1	Cover			
16	56000061	2	Washer 10-16-1,5			
17	52102306	1	Bolt DIN 933 M10-15 8.8			
18	19410018	1	Gasket			08/01/2019
18	LOCT5900.50C	1	LOCTITE 5900 50 ml			08/01/2019
19	19421033	1	O-Ring D. 70X5 VITON			
21A	51030006	4	Washer DIN 125-6			
21B	52102158	4	Bolt DIN 933 M6-25 8.8			
21C	53033006	4	Washer GROWER DIN 127-6			
22	19410014	1	Adaptor			
23	19421034	1	Gasket			



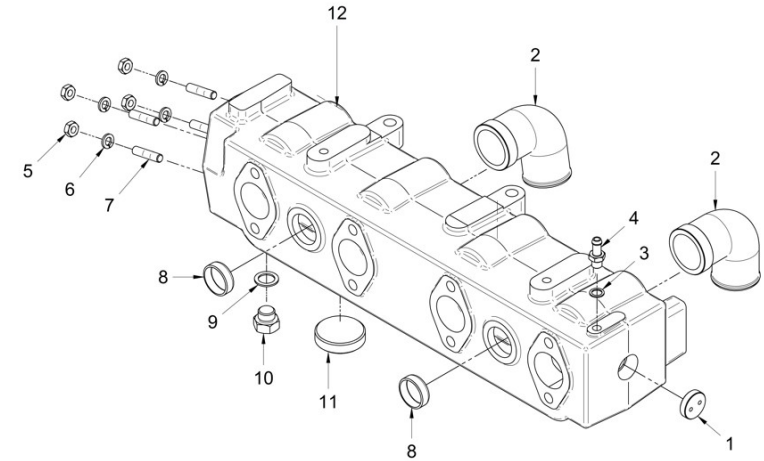
D\_SD17\_2\_4 Exhaust Manifold

Fig.	Ref.	Qty.	Descr.	Obs	From	UpTo
1	19413000	1	MANIFOld,Assy			
2	19421181.2	4	Gasket			
3	19421183.2	1	Gasket			
4	19428012.1	1	Turbocharger, Assy			
5	19418010	1	Termic, Bucklers Gray Color			
6	19413016	1	Elbow, WET Exhaust			
7	53033010	2	Washer GROWER DIN 127-10			
8	52102307	2	Bolt DIN 933 M10-20 8.8			
9	19413002	8	Stud			
10	56000061	8	Washer 10-16-1,5			
11	13511013	8	Nut DIN 1587 M10			



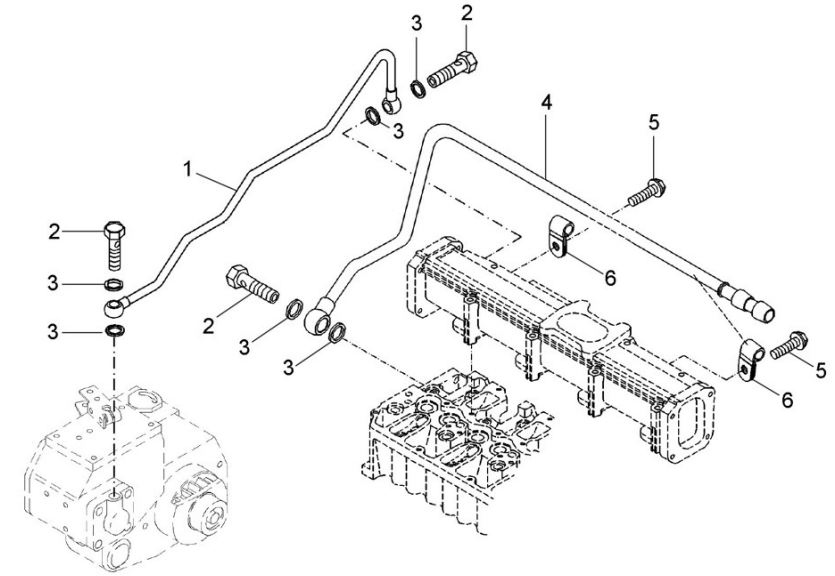


19413000 MANIFOLD,Assy					
Fig.	Ref.	Qty.	Descr.	Obs	From UpTo
1	12113092	1	Plug		01/03/2023
2	19111015	2	Elbow 90° 1 1/2"		
3	56000011	1	Washer		
4	13814072	1	Straight Hose Connector 1/8" NPTF		
5	52120008	4	Nut DIN 934 M8 8.8		
6	53033008	4	Washer GROWER DIN 127-8		
7	19411028	4	Stud		
8	19411035	2	Plug		
9	56000073	1	Copper Washer 16-23-1,5		
10	12111076	1	Plug		
11	19011019	1	Plug		
12	19413001	1	Exhaust MANIFOLD		



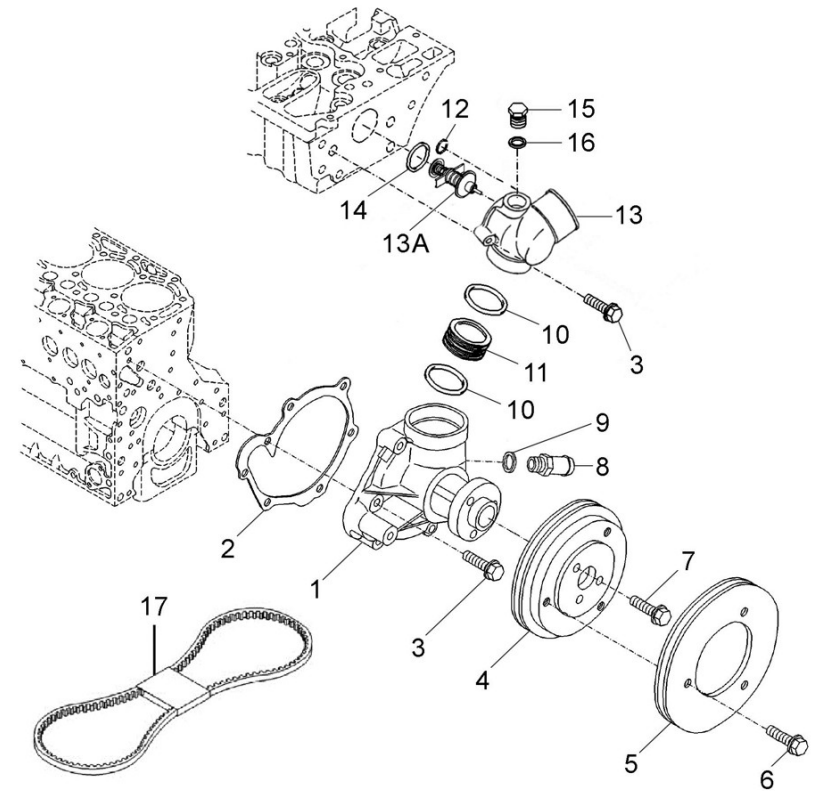
D\_SD17\_2\_5 Breather Line

Fig.	Ref.	Qty.	Descr.	Obs	From	UpTo
1	19421090.1	1	Inlet MANIFOld			
2	19421091.1	3	Screw			
3	19424087	6	SeallNG Ring			
4	19421092	1	Breather Line			
5	19428054	2	Screw			
6	19428055	2	Pipe Clamp			



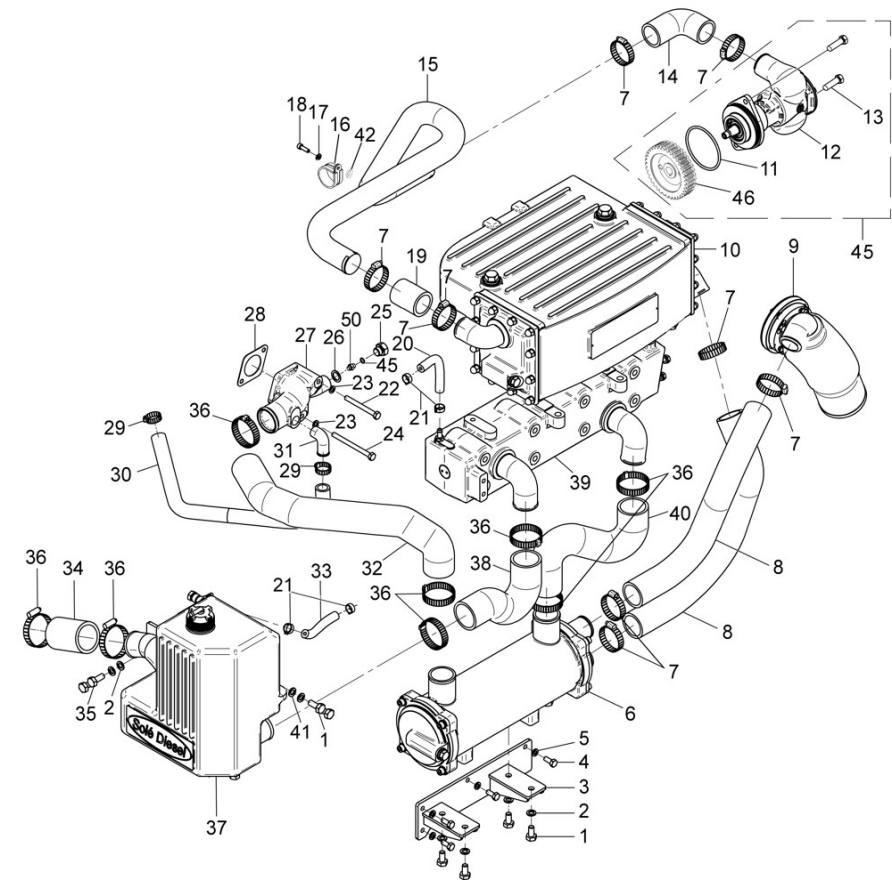
D\_SD17\_3\_1 Water Pump

Fig.	Ref.	Qty.	Descr.	Obs	From	UpTo
1	19521041	1	Fresh Water Pump			
2	19421040	1	Flat Gasket			
3	19420027	9	Screw			
4	19421086.1	1	Pulley			
5	19421087.1	1	Pulley			
6	19421088	3	Screw			
7	19420036	3	Screw			
8	19414002	1	Fuel Coupling			
9	19424064	1	Sealing Ring			
10	19421044	2	O-Ring			
11	19421042	1	Plug			
12	19420151	1	O-Ring			
13	19521093	1	Thermostat			
13A	19521029	1	Thermostat			
14	19421041	1	O-Ring			
15	19420165	1	VENT Plug			
16	19424087	1	Sealing Ring			
17	17117020	1	Belt Type SPAX 1060			



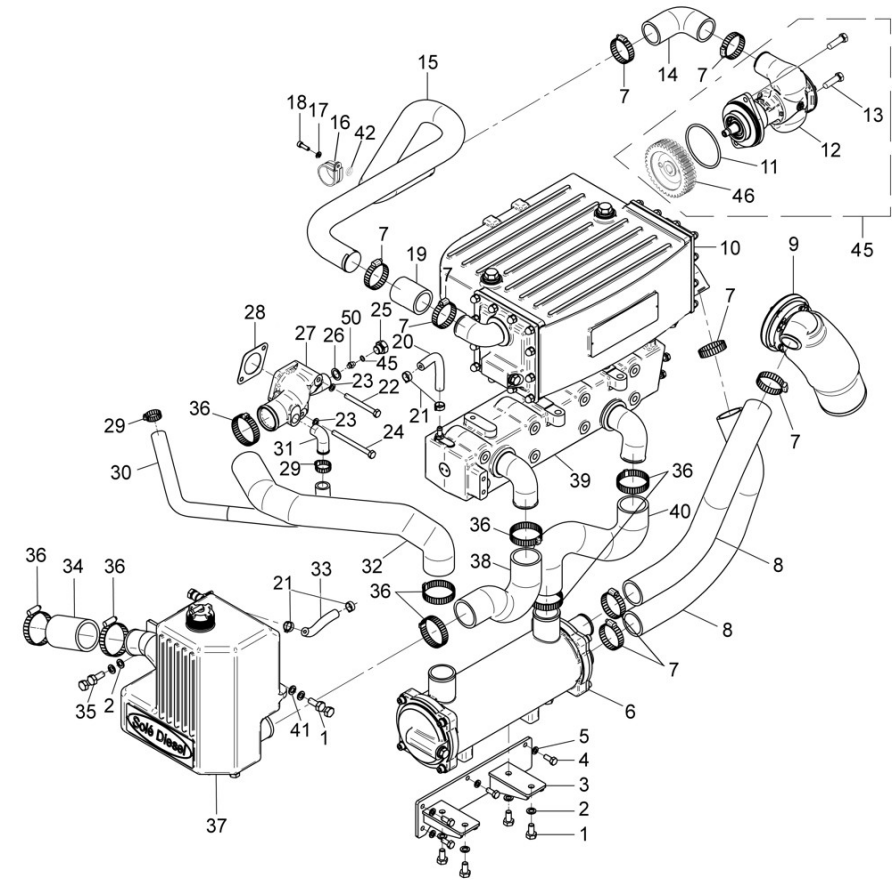
**D\_SD17\_3\_2 Cooler Pipes**

Fig.	Ref.	Qty.	Descr.	Obs	From	UpTo
1	52102307	6	Bolt DIN 933 M10-20 8.8			
2	53033010	6	Washer GROWER DIN 127-10			
3	19411014	1	Bracket			
4	52102257	4	Bolt DIN 933 M8-20 8.8			
5	53033008	6	Washer GROWER DIN 127-8			
6	19411000R	1	Water Cooler Assy SDZ-165/205/280			
7	54082032	8	Clamp DIN 3017 32-50/12 W4			
8	19411037	2	Pipe 42-52-580			
9	19413016	1	Elbow, WET Exhaust			
10	19410016R	1	Spare SDZ-165/280 Intercooler Kit			
11	19420221	1	O-Ring D. 82X4 VITON			
12	39411000	1	Key Pump SDZ-165/205/280 Gr-109/165			
13A	52101266	2	Bolt DIN 931 M8-65 8.8			
13B	51030008	2	Washer DIN 125-8			
14	19411015	1	Elbow			
15	19411016	1	Pipe			
16	59071452	1	Clamp 1 42/15 W1			
17	51030006	1	Washer DIN 125-6			
18	52103158	1	Bolt DIN 912 M6-25 8.8			
19	19411045	1	Pipe 42-54-90			
20	19411041	1	Purge Hose			
21	54081008	4	Clamp DIN 3017 8-16 W4			
22	52101269	1	Bolt DIN 931 M8-80 8.8			
23	53038008	2	Washer DIN 6798-A 8			
24	52101273	1	Bolt DIN 931 M8-100 8.8			
25	12111076	1	Plug			11/01/2022
25	60900988	1	Temperature Sensor		11/01/2022	
26	56000073	1	Copper Washer 16-23-1,5			
27	19411011	1	Cooler Water Inlet BEND			
28	19411010	1	Gasket			
29	54081020	2	Clamp DIN 3017 20-32/9 W4			



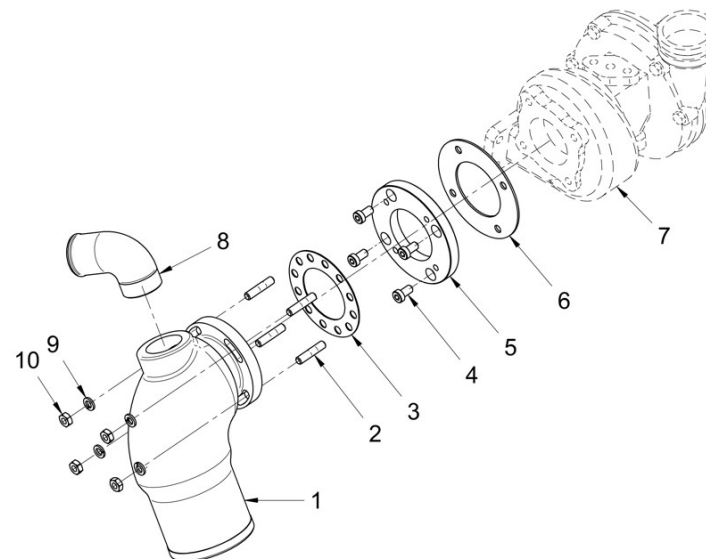
**D\_SD17\_3\_2 Cooler Pipes**

Fig.	Ref.	Qty.	Descr.	Obs	From	UpTo
30	19411022	1	Hose			
31	13211027	1	Water Inlet Bend			
32	19411020	1	Hose			
33	19411042	1	Hose			
34	19411043	1	Pipe 48-60-85			
35	52102308	2	Bolt DIN 933 M10-25 8.8			
36	54082040	8	Clamp DIN 3017 40-60/12 W4			
37	19411009	1	Expansion Tank			
38	19411019	1	Hose			
39	19413000	1	MANIFOld,Assy			
40	19411021	1	Hose			
41	53038010	2	Washer DIN 6798-A 10			
42	13817115	1	Spacer 6,5X15X10			
43	56000069	1	Washer 14-20-1,5		11/01/2022	
44	19417052	1	Sensor Adapter M14x1,5 a 5/8		11/01/2022	
45	39411000A19	1	Key Pump SDZ-165/205/280 GR-109/165, KIT			
46	19421124	1	Toothed Gear			



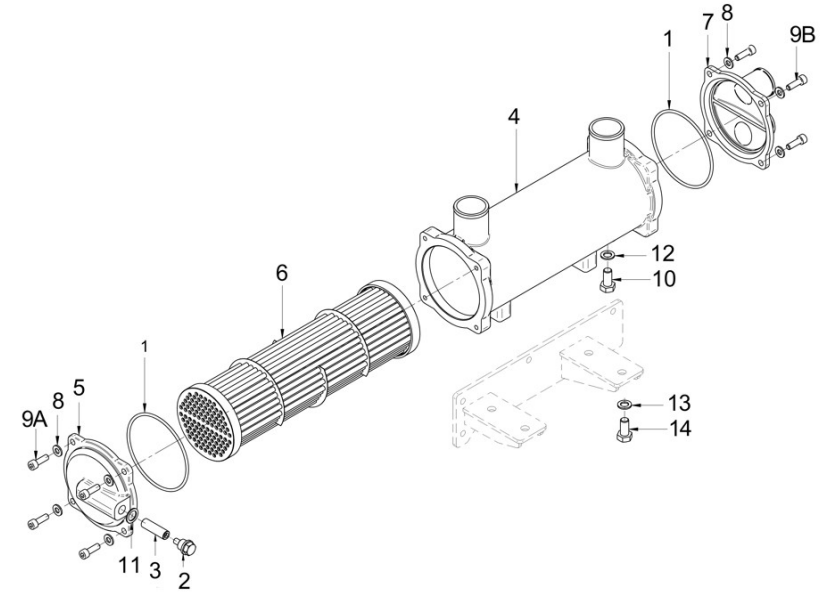
D\_SD17\_3\_3 Wet Exhaust

Fig.	Ref.	Qty.	Descr.	Obs	From	UpTo
1	19413016	1	Elbow, WET Exhaust			
2	19411028	4	Stud			
3	16513016	1	Exhaust Elbow Gasket			
4	52103256	4	Bolt DIN 912 M8-16 8.8			
5	19413014	1	Adaptor			
6	19413013	1	Gasket			
7	19428012.1	1	Turbocharger, Assy			
8	16511009	1	Elbow			
9	53033008	4	Washer GROWER DIN 127-8			
10	51125008	4	Nut Exhaust			



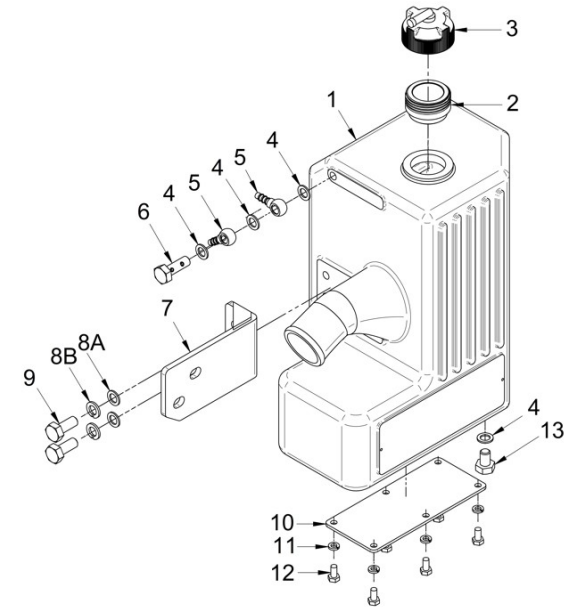
D\_19411000R Water Cooler Assy SDZ-165/205/280

Fig.	Ref.	Qty.	Descr.	Obs	From	UpTo
1	16711007	2	O-Ring D. 116X4			
2	18011009	1	Anode Plug			
3	18011031	1	Engine Anode 45 mm M.8			
4	19411001	1	Body, Water Cooler			
5	19411003	1	Water Cooler Cover			
6	19411004	1	Tubular Bundle			
7	19411006	1	Water Cooler Cover			
8	51030008	8	Washer DIN 125-8			
9A	52103257	7	Bolt DIN 912 M8-20 8.8			
9B	52103258	1	Bolt DIN 912 M8-25 8.8			
10	54102356	1	Bolt DIN 933 M12-16 INOX.			
11	56000073	1	Copper Washer 16-23-1,5			
12	56000115	1	Washer 12-20-2			
13	53033010	4	Washer GROWER DIN 127-10			
14	52102307	4	Bolt DIN 933 M10-20 8.8			



19411009 Expansion Tank

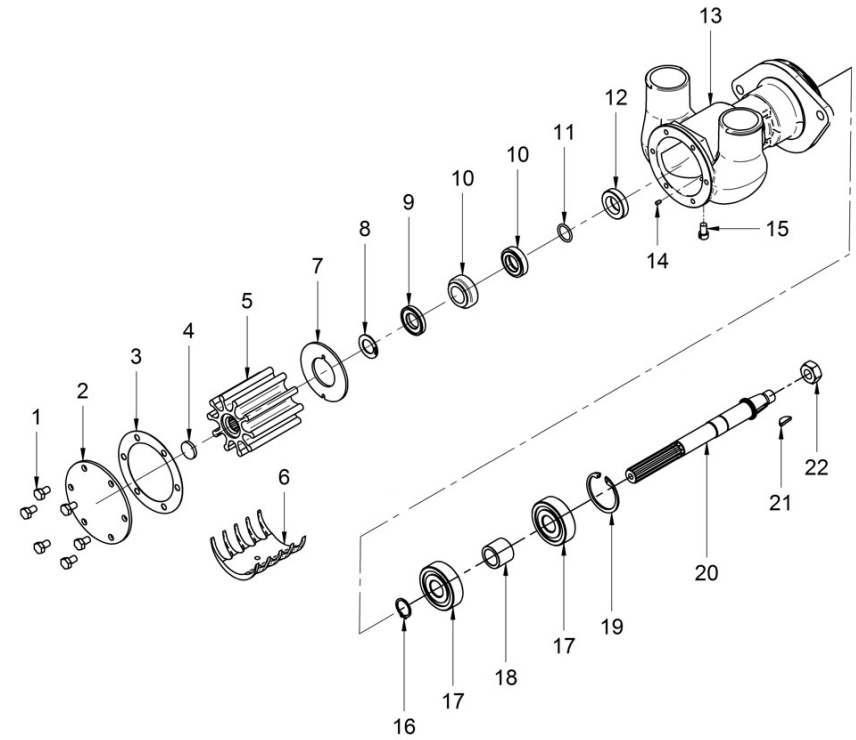
Fig.	Ref.	Qty.	Descr.	Obs	From	UpTo
1	19411009.1	1	Expansion Tank, Body			
2	17411004	1	Adapter, MTA Cap			
3	13811010	1	Cap			
4	56000061	4	Washer 10-16-1,5			
5	17614016	2	COLLAR,Union			
6	19411040	1	1/8" GAS HOLLOW Screw			
7	19411009.2	1	Bracket			
8A	51030010	2	Washer DIN 125-10			
8B	53033010	2	Washer GROWER DIN 127-10			
9	52102307	2	Bolt DIN 933 M10-20 8.8			
10	18211002	1	Cover			
11	53033006	6	Washer GROWER DIN 127-6			
12	52102155	6	Bolt DIN 933 M6-12 8.8			
13	52102306	1	Bolt DIN 933 M10-15 8.8			



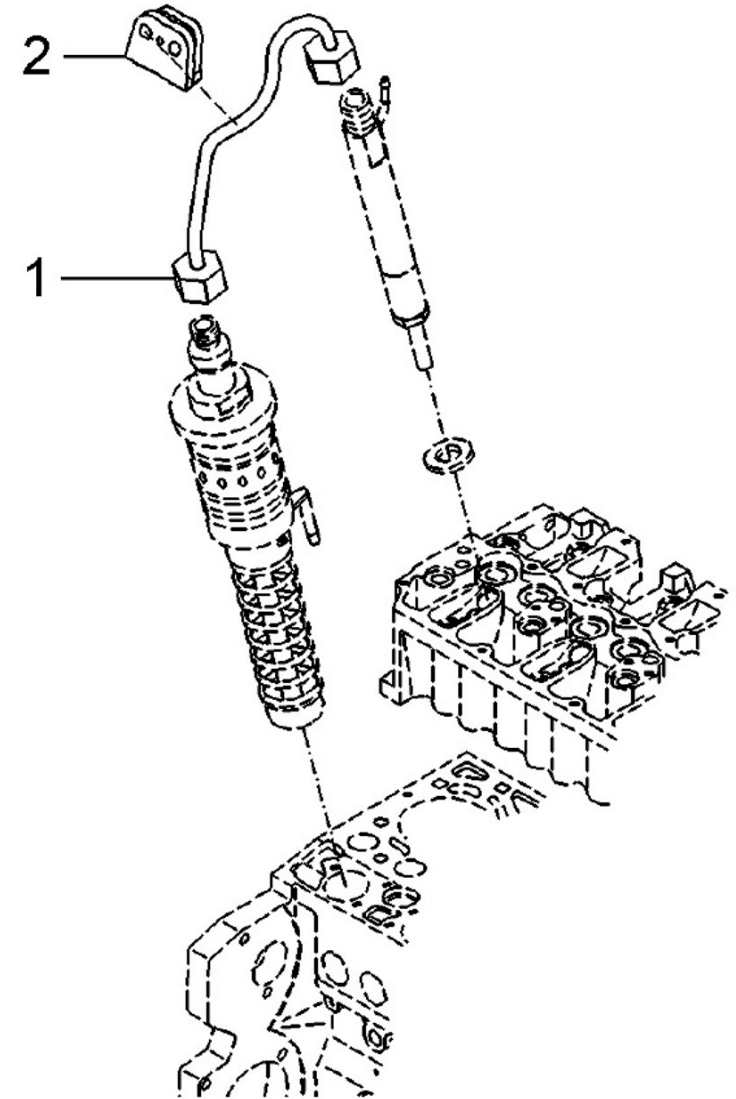


39411000 Key Pump SDZ-165/205/280 Gr-109/165

Fig.	Ref.	Qty.	Descr.	Obs	From	UpTo
1	54102154	6	Bolt DIN 933 M6-10 INOX			
2	34711002	1	Cover Pump			
3	34711003	1	Gasket Cover			
4	34711041	1	Impeller Plug			
5	39411008	1	1" L.68 Impeller			
6	39411005	1	Cam			
7	34711026	1	Plate,Friction			
8	54040016	1	CIRClip E-16			
9	36511018	1	Washer,seal			
10	36511019	1	Seal			
11	33311013	1	O-Ring D. 15X2			
12	36511020	1	Seal 16-30-7			
13	39411001	1	Body,Water Pump			
14	36511017	1	Pin,Dowel			
15	54108154	1	Bolt DIN 84 M6-10			
16	53040017	1	Circlip DIN 471 E-17			
17	18017083	2	Ball Bearing 6303-RDD			
18	39411015	1	Separator Bearings			
19	53041047	1	CIRClip DIN 472 I-47			
20	39411010	1	Shaft			
21	35111035	1	KEY DIN 6888 3-6,5-16 INOX			
22	54121012	1	Nut DIN 439 M12			

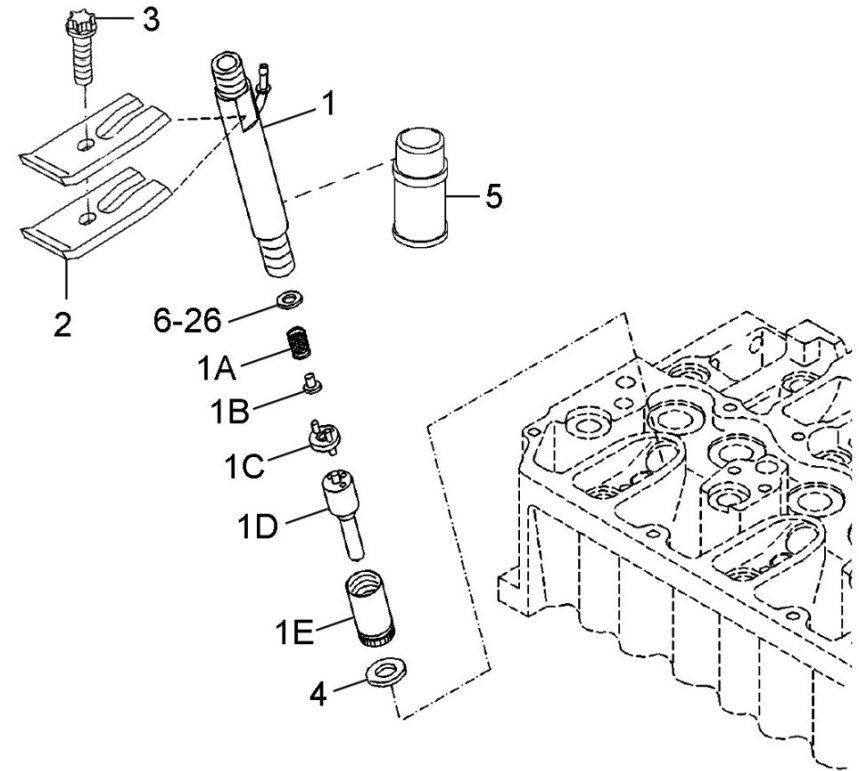


D_SD17_4_1		Fuel Pipe				
Fig.	Ref.	Qty.	Descr.	Obs	From	UpTo
1	19424052	4	Pipe Injection			
2	19421018	4	Rubber Seal			



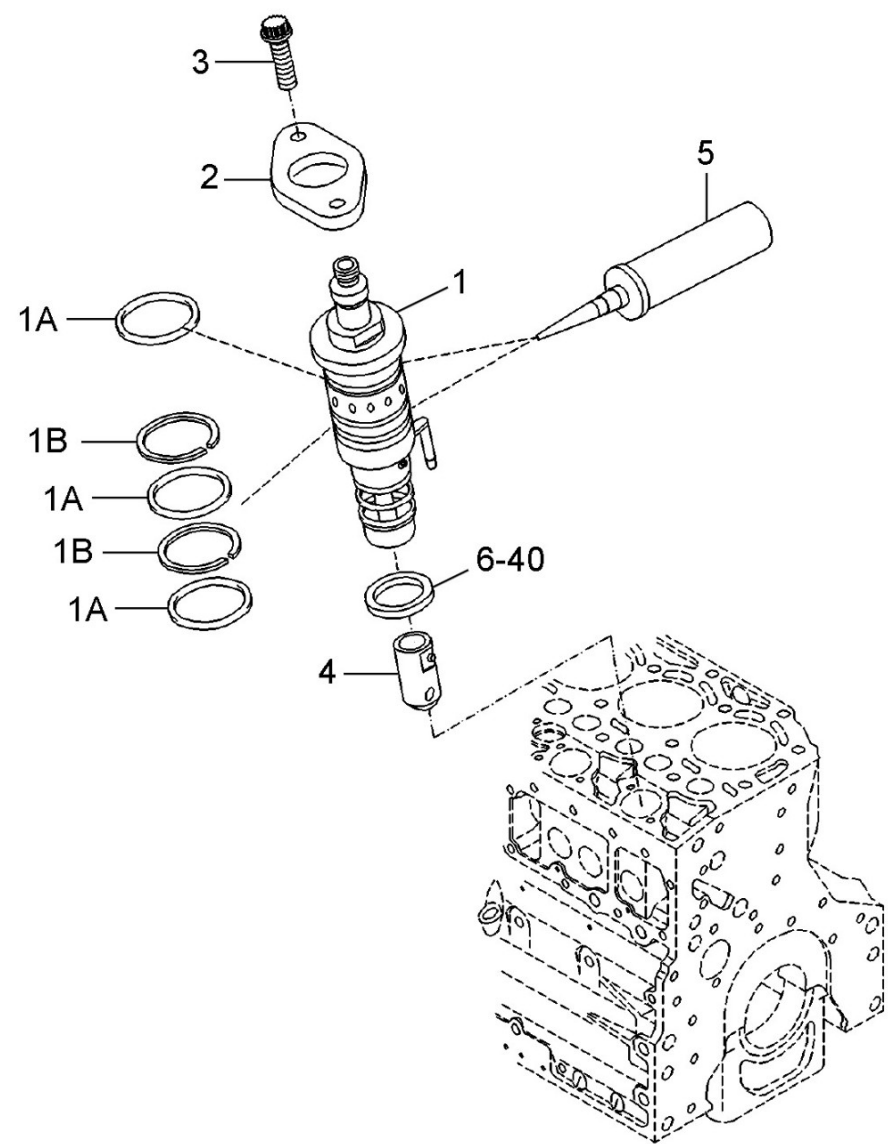
D\_SD17\_4\_2 Injection Nozzle

Fig.	Ref.	Qty.	Descr.	Obs	From	UpTo
1	19426001.1	4	Fuel Injector			
1A	19426004.1	4	COMPRESSION Spring			
1B	19426003.1	4	THRUST Bolt			
1C	19426008.1	4	Spacer			
1D	19426018.1	4	Nozzle Element			
1E	19426006.1	4	ClampING Nut			
2	19426010	8	Flange			
3	19426011	4	Bolt			
4	19426012	4	SeallNG Ring			
5	19426013	4	ANTI-RUST AGENT			
6	19426010.1	0	Washer 1,00	#		
7	19426019.1	0	Washer 1,06	#		
8	19426020.1	0	Washer 1,10	#		
9	19426021.1	0	Washer 1,15	#		
10	19426022.1	0	Washer 1,20	#		
11	19426023.1	0	Washer 1,25	#		
12	19426024.1	0	Washer 1,30	#		
13	19426025.1	0	Washer 1,35	#		
14	19426026.1	0	Washer 1,40	#		
15	19426027.1	0	Washer 1,45	#		
16	19426028.1	0	Washer 1,50	#		
17	19426029.1	0	Washer 1,55	#		
18	19426030.1	0	Washer 1,60	#		
19	19426031.1	0	Washer 1,65	#		
20	19426032.1	0	Washer 1,70	#		
21	19426033.1	0	Washer 1,75	#		
22	19426034.1	0	Washer 1,80	#		
23	19426035.1	0	Washer 1,85	#		
24	19426036.1	0	Washer 1,90	#		
25	19426037.1	0	Washer 1,95	#		
26	19426038.1	0	Washer 2,00	#		



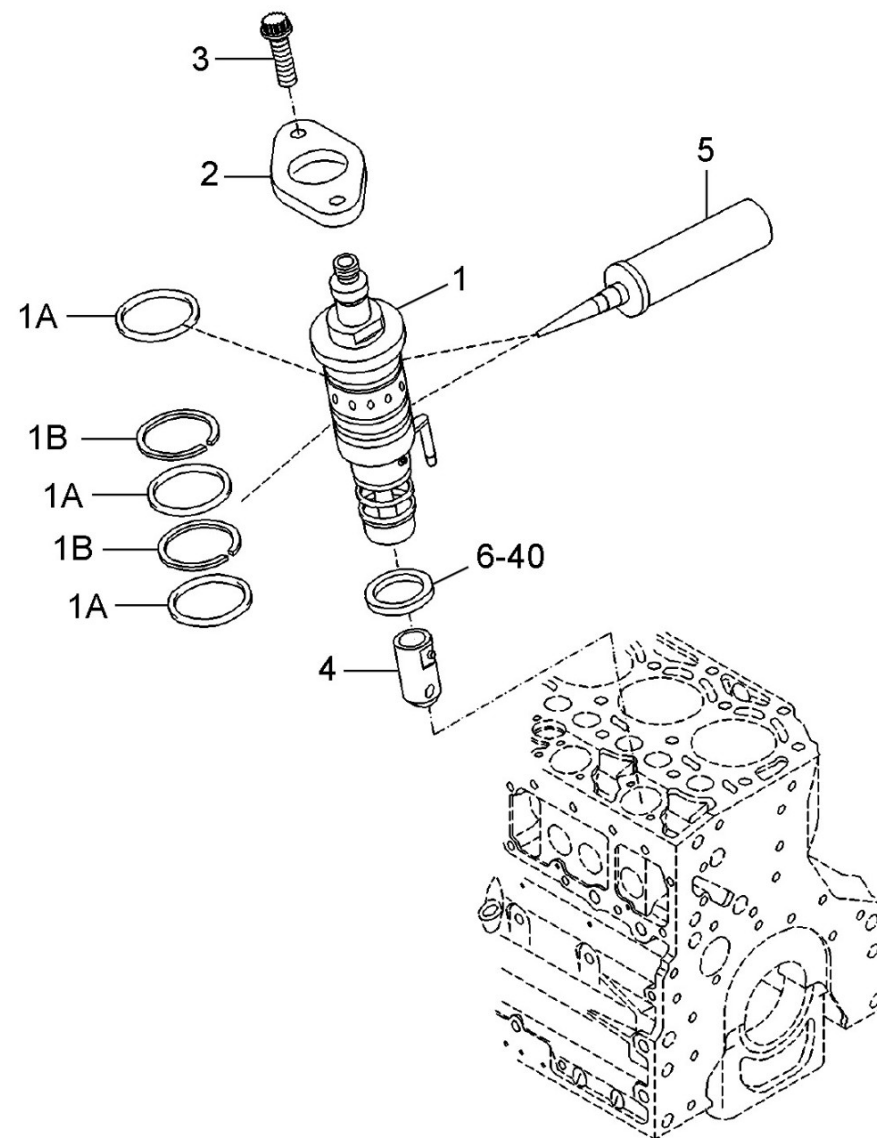
D\_SD17\_4\_3 Fuel Injection Pump

Fig.	Ref.	Qty.	Descr.	Obs	From	UpTo
1	19425001	4	Pump Assy,Fuel Injection			
1A	19425002	12	O-Ring D. 40X3,5			
1B	19425003	8	Shim			
2	19420110	4	Flange			
3	19420111	8	COLLAR Screw			
4	19420090	4	Roller Tappet			
5	19420113	4	Lubricant			
6	19420112	0	Washer 1,0mm	#		
7	19420114	0	Washer 1,1mm	#		
8	19420115	0	Washer 1,2mm	#		
9	19420116	0	Washer 1,3mm	#		
10	19420117	0	Washer 1,4mm	#		
11	19420118	0	Washer 1,5mm	#		
12	19420119	0	Washer 1,6mm	#		
13	19420120	0	Washer 1,7mm	#		
14	19420121	0	Washer 1,8mm	#		
15	19420122	0	Washer 1,9mm	#		
16	19420123	0	Washer 2,0mm	#		
17	19420124	0	Washer 2,1mm	#		
18	19420125	0	Washer 2,2mm	#		
19	19420126	0	Washer 2,3mm	#		
20	19420127	0	Washer 2,4mm	#		
21	19420128	0	Washer 2,5mm	#		
22	19420129	0	Washer 2,6mm	#		
23	19420130	0	Washer 2,7mm	#		
24	19420131	0	Washer 2,8mm	#		
25	19420132	0	Washer 2,9mm	#		
26	19420133	0	Washer 3,0mm	#		
27	19420134	0	Washer 3,1mm	#		
28	19420135	0	Washer 3,2mm	#		
29	19420136	0	Washer 3,3mm	#		



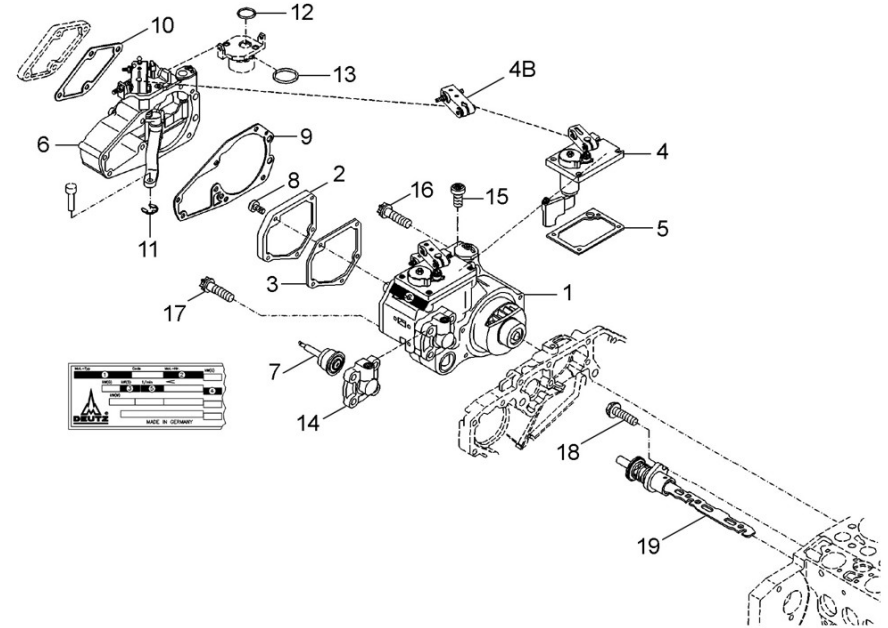
D\_SD17\_4\_3 Fuel Injection Pump

Fig.	Ref.	Qty.	Descr.	Obs	From	UpTo
30	19420137	0	Washer 3,4mm	#		
31	19420138	0	Washer 3,5mm	#		
32	19420139	0	Washer 3,6mm	#		
33	19420140	0	Washer 3,7mm	#		
34	19420141	0	Washer 3,8mm	#		
35	19420142	0	Washer 3,9mm	#		
36	19420143	0	Washer 4,0mm	#		
37	19420144	0	Washer 4,1mm	#		
38	19420145	0	Washer 4,2mm	#		
39	19420146	0	Washer 4,3mm	#		
40	19420147	0	Washer 4,4mm	#		



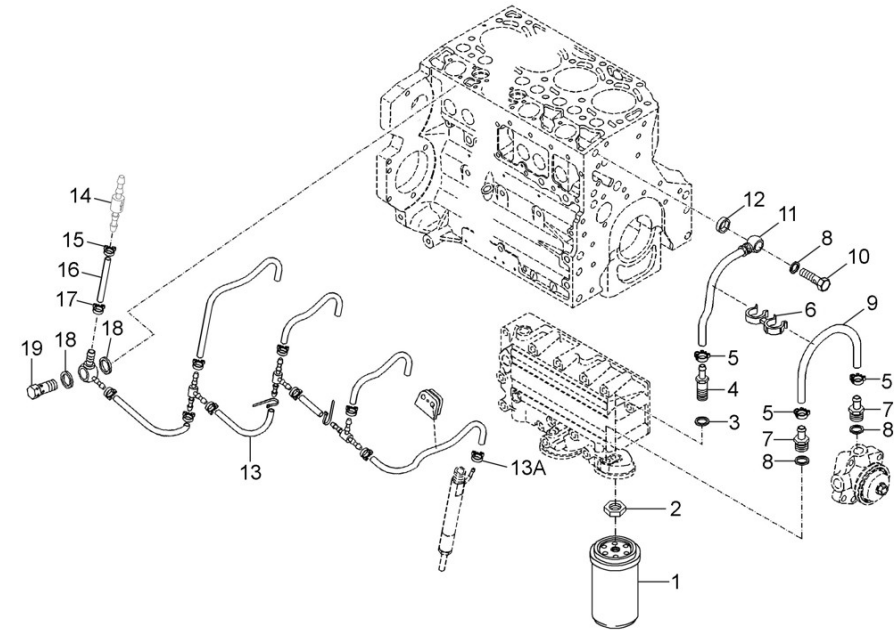
D\_SD17\_4\_4 Governor Parts

Fig.	Ref.	Qty.	Descr.	Obs	From	UpTo
1	19423000.1	1	Controller			
2	19423001	1	HOOD			
3	19423002	1	Gasket			
4	19423003	1	GOverNOR Cover			
4B	19423006	2	Lever/ARM			
5	19423004	1	Gasket			
6	19423005	1	Cover			
7	19423007	1	DIAPHRAGM			
8	19423008	1	RETAINING Washer			
9	19423009	1	Gasket			
10	19423010	1	Gasket			
11	19423011	1	RETAINING Washer			
12	19423012	1	Ring			
13	19423014	1	Ring			
14	19423015	1	Cover			
15	19421084	1	LOCKING Screw			
16	19421082	4	Bolt			
17	19421083	1	Bolt			
18	19423025	1	Control ROD			
19	19423026	1	HEXAGON Bolt			



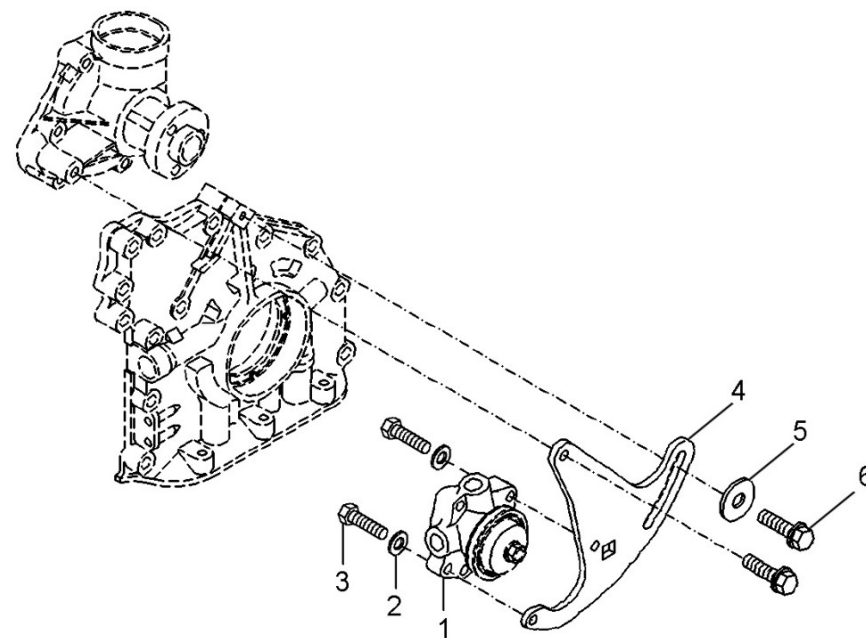
D\_SD17\_4\_5 Fuel Filter

Fig.	Ref.	Qty.	Descr.	Obs	From	UpTo
1	19424022	1	Fuel Filter Element SDZ-165/205/280			
2	19424065	1	HEXAGON Nut			
3	19424064	1	Sealing Ring			
4	19424057.1	1	Hose Sleeve			
5	19424058.1	3	Clamp			
6	19424059.1	1	Hose Retanier			
7	19424049.1	2	Nipple			
8	19421016	3	Sealing Ring			
9	19424061.1	1	Fuel Pipe			
10	19424063	1	Screw			
11	19424060.1	1	Pipe,fuel			
12	19424062	1	Sealing Ring			
13	19424071.1	1	Overflow Line			
13A	19424031.1	4	Pipe Clamp			
14	19424001	1	Valve Assy			
15	51086018	1	ONE EAR Clamp With INTERIOR Ring 16-18,3			
16	19414003.1	1	Rubber Pipe			
17	51086017	1	ONE EAR Clamp With INTERIOR Ring 15-17,3			
18	19420064	2	Sealing Ring			
19	19424053	1	Valve Assy			
NS	19424067.1	1	Corrugated Tube			



D\_SD17\_4\_6 Feed Pump

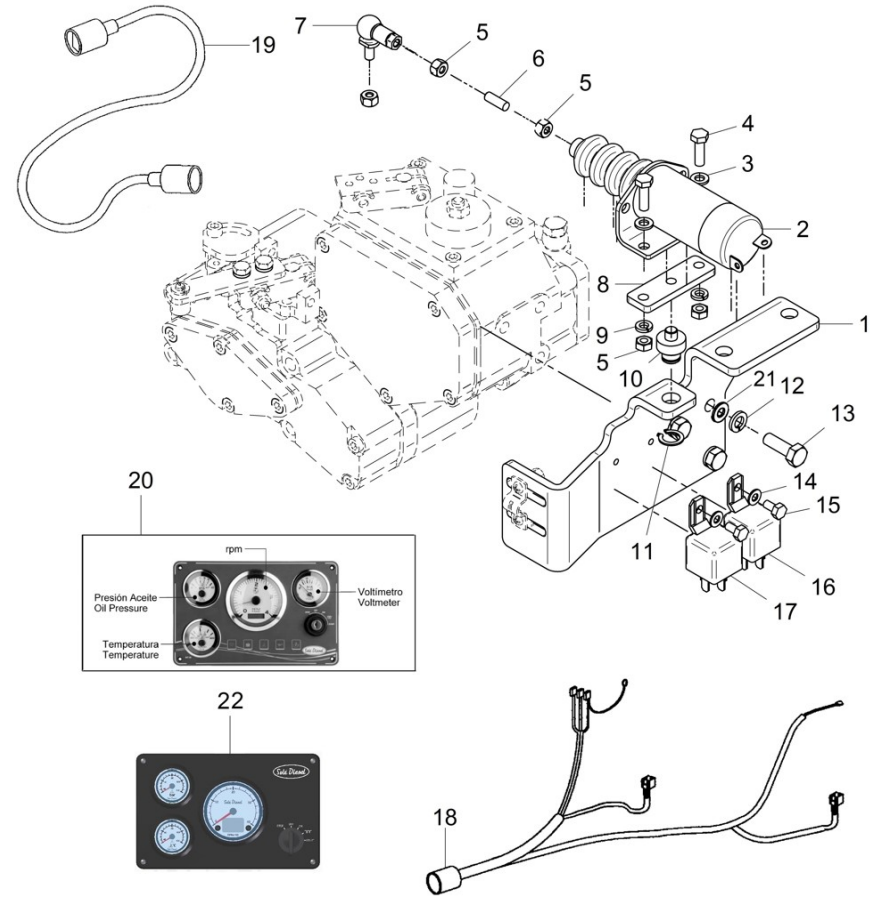
Fig.	Ref.	Qty.	Descr.	Obs	From	UpTo
1	19424040.3	1	Fuel Pump			
2	19424043	2	Spring Washer			
3	19424042	2	Screw			
4	19424041.1	1	Clamping Strap			
5	19424047.1	1	Plain Washer			
6	19424046	2	HEXAGON Bolt			





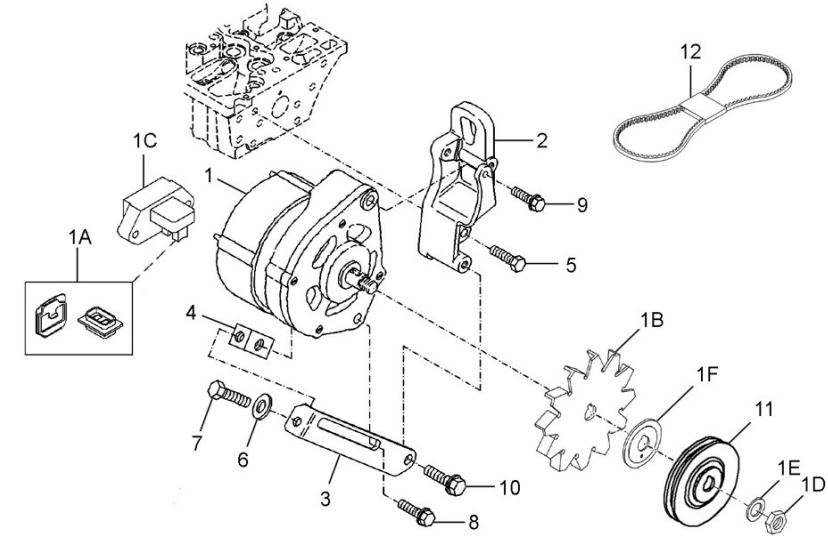
D\_SD17\_5\_3 24V Electrical Wiring

Fig.	Ref.	Qty.	Descr.	Obs	From	UpTo
1	19419001	1	Bracket,Engine Control			
2	19424025	1	Solenoid 24V ETS			
3	51030006	2	Washer DIN 125-6			
4	52102157	2	Bolt DIN 933 M6-20 8.8			
5	52120006	4	Nut DIN 934 M6 8.8			
6	52111163	1	ROD DIN 913 M6-50 8.8			
7	19419003.1	1	Mechanical Bearing			
8	19419005	1	Bracket			
9	53033006	2	Washer GROWER DIN 127-6			
10	19419006	1	Shaft			
11	53040012	1	CIRClip DIN 471 E-12			
12	53033008	3	Washer GROWER DIN 127-8			
13	52102257	3	Bolt DIN 933 M8-20 8.8			
14	51030005	2	Washer DIN 125-5			
15	52102104	2	Bolt DIN 933 M5-10 8.8			
16	17417005.1	1	Relay 24V 24-22A			
17	19017005	1	Relay 24V 24/22A			
18	60994203	1	Wiring Electrical SD165 SVT			11/01/2022
18	60996205	1	Wiring Electrical SDZ-165		12/01/2022	
19	60985210	1	Engine Wiring Ext. 4 M.			
20	60994130R	1	SVT 30 SDZ-165/205/280 Panel (Repl.)			04/03/2024
21	51030008	3	Washer DIN 125-8			
22A	63994322NS	1	Panel SSG 30 SDZ-165/205/280 ETS 24V Remote Black		04/03/2024	
22B	63994322BS	1	Panel SSG 30 SDZ-165/205/280 ETS 24V Remote White		04/03/2024	



D\_SD17\_5\_1 Kit Alternator 24V/55A

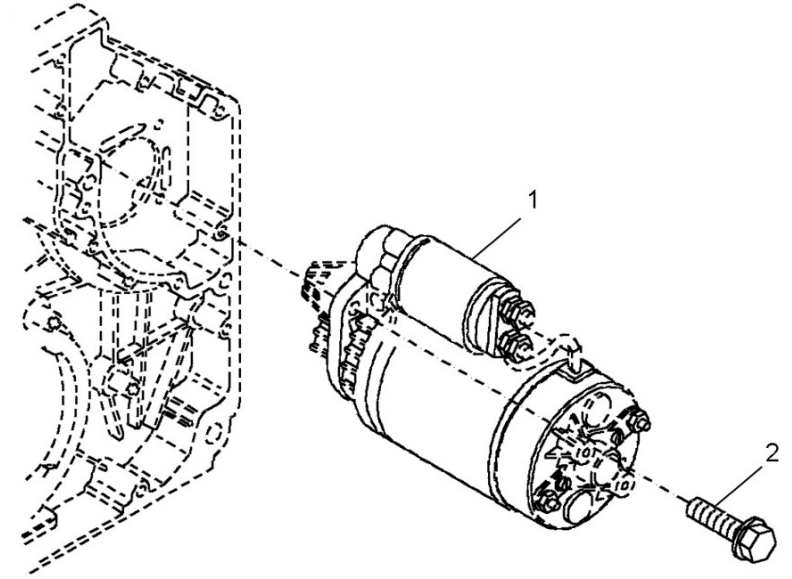
Fig.	Ref.	Qty.	Descr.	Obs	From	UpTo
1	19427010G	1	Alternator 24V/35A			05/12/2016
1	19427010GP.1	1	Alternator 24V/35A With Pulley		06/12/2016	
1A	19427012.1	1	Seal Gasket			
1B	19427015.1	1	Fan			
1C	19427016G.1	1	VOLTAGE REGULATOR			
1D	19424065	1	HEXAGON Nut			
1E	19427017.1	1	Washer			
1F	19427018.1	1	Fastenings			
2	19427002G	1	Bracket			
3	19427007G	1	Clamping Strap			12/12/2017
3	19427007G.1	1	Plate		13/12/2017	
3	19527007.1	1	Clamping Strap		13/12/2017	
4	19427008G	1	Threaded Piece			
5	19427005.1	4	HEXAGON Bolt			
6	19428007	1	Plain Washer			
7	19427013	1	HEXAGON Bolt			
8	19427005	1	HEXAGON Bolt			
9	19422053	1	HEXAGON Bolt			
10	19424006	1	HEXAGON Bolt			
11	19427052G.1	1	Alternator V-GROOVED Pulley			
12	19427025.1	1	Belt Type SPZX 862			



D\_SD17\_5\_2

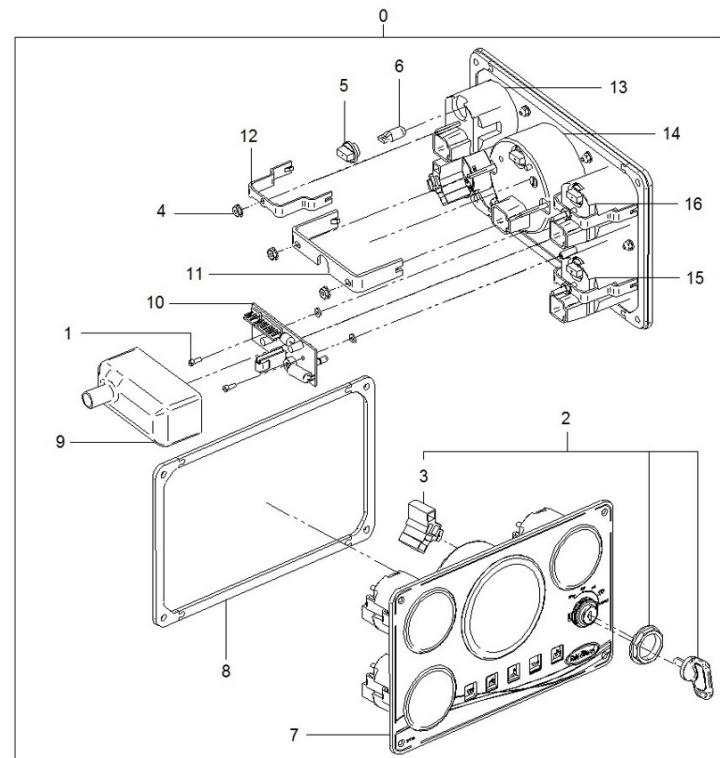
Starter

Fig.	Ref.	Qty.	Descr.	Obs	From	UpTo
1	19427029	1	Starter 24 V			
2	19427020.1	3	Bolt			
NS	60994048	1	Mass Black To Wiring Start			



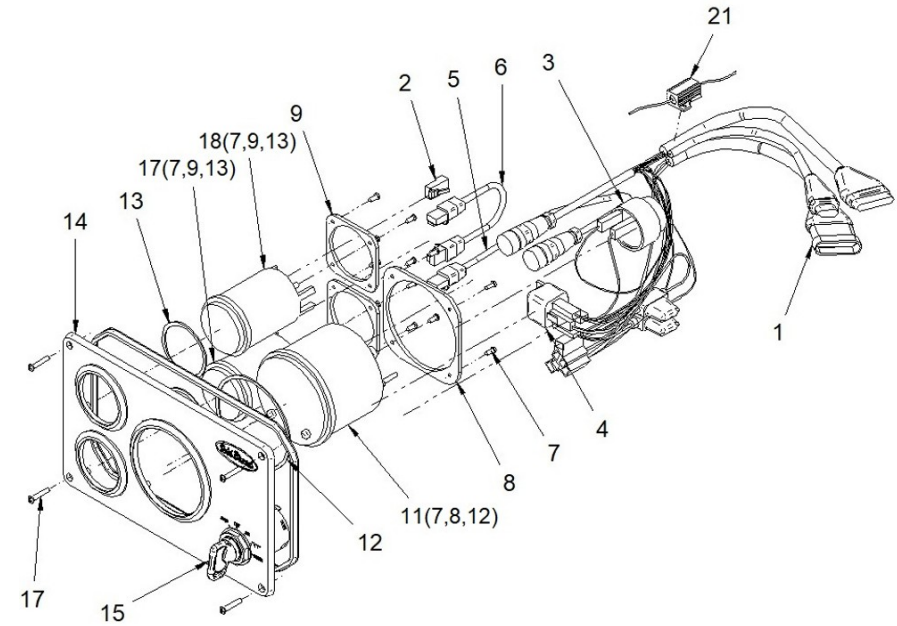
D\_60994130 SVT 30 SDZ-165/205/280 Panel

Fig.	Ref.	Qty.	Descr.	Obs	From	UpTo
0	60994130R	1	SVT 30 SDZ-165/205/280 Panel (Repl.)			
1	54108003	2	Bolt DIN 84 M3-8 INOX.			
2	60900037	1	Key-Locking			
3	60900037.2	1	Connector			
4	60900910.2	5	Fixing Nut Gauge+Terminal			
5	60900931	4	SOCKET,WEDGE BASE			
6	60900930	4	Bulb GE400 WEDGE BASE 24V			
7	60990005.1	1	Panel N.3			
8	60990006.1	1	Gasket Panel			
9	60900096	1	Cover Plate for Motor Propeller			
10	60900302.3	1	Integrated Circuit Plate 24V v3			
11	60900910.1	1	Revolution Counter Fixing Bracket			
12	60900915.2	3	Gauge Fixing Bracket			
13	60900942	1	Voltmeter VT 24V			
14	60994912	1	Revol. Counter VT 24V SDZ-165/205			
15	60900938	1	Thermometer VT 24V			
16	60900940	1	Pressure Gauge VT 24V			
NS	60900059	2	Cover			
NS	60900065	4	Connector			
NS	60900065.1	4	Terminal Fixing			
NS	60900066	16	Terminal Female			
NS	60900092	1	MICRO Relay 24V 24-10			
NS	60900933	2	VOLTAGE REDUCER 7W			
NS	60900934	1	VOLTAGE REDUCER 5W 130 ohm SVT			
NS	60910015	1	System Back Panel			



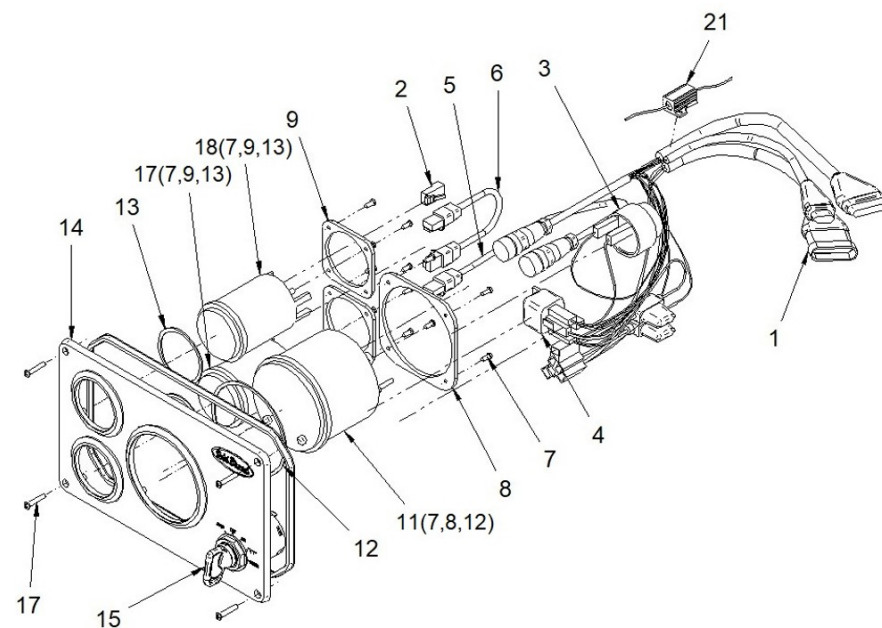
**D\_1633 Panel SSG 30 Spare Parts**

Fig.	Ref.	Qty.	Descr.	Obs	From	UpTo
1	63900032	1	Electrical Installation Panel SSG Master			
2	63900026	1	CAN RJ45 Bus End Resistor			
2	63900037	1	CAN RJ45 Bus End Resistor CAN M12-5pin NMEA2000			
3	60900060	1	Alarm, Buzzer			
4A	63900028	1	Relay 12V 20/30A NO+NC			
Figure A for 12V System						
4B	63900029	1	Relay 24V 10/20A NO+NC			
Figure b for 24V System						
5	63900025	1	M12-5 Pin To Connector RJ45 0.2m SG			
6	63900027	1	Ethernet Cable RJ45 0.2m			
7	5191B003	12	Bolt CL81Z 3.1X8			
8	63900007	1	SG D.85 Tachometer Bracket			
8	63900008	2	SG D.52 Watch Support			
11A	63938001BSR	1	Revolution Counter SG Solé MINI-17/29 White			
11B	63938001BNR	1	Revolution Counter SG Solé MINI-17/29 Black			
11C	63972001BSR	1	Revolution Counter SG Solé MINI-33/44/55 White			
11D	63972001BNR	1	Revolution Counter SG Solé MINI-33/44/55 Black			
11E	639A0001BSR	1	Revolution Counter SG Solé SK-60 White			
11F	639A0001BNR	1	Revolution Counter SG Solé SK-60 Black			
11G	63971001BSR	1	Revolution Counter SG Solé MINI-62 White			
11H	63971001BNR	1	Revolution Counter SG Solé MINI-62 Black			
11I	63974001BSR	1	Revolution Counter SG Solé MINI-74/SM-105/103 White			
11J	63974001BNR	1	Revolution Counter SG Solé MINI-74/SM-105/103 Black			
11K	63978001BSR	1	Revolution Counter SG Solé SM-82/94 White			
11L	63978001BNR	1	Revolution Counter SG Solé SM-82/94 Black			
11M	63994001BSR	1	Revolution Counter SG Solé SDZ-165/205/280 White			
11N	63994001BNR	1	Revolution Counter SG Solé SDZ-165/205/280 Black			
12	63900009	1	Silicone Tachometer Gasket SG 94x84x1 Frontal			
13	63900010	2	Silicone Watch Gasket SG 54x48x1 Frontal			
14	63900014	1	SSG 30 Panel Solé Diesel			
15	60900037	1	Key-Locking			



## D\_1633 Panel SSG 30 Spare Parts

Fig.	Ref.	Qty.	Descr.	Obs	From	UpTo
17	51918057	4	Bolt DIN 7981 3,9-22			
18A	63900003BSR	1	Pressure Gauge SG Solé Master White			
18B	63900042NSR	1	Pressure Gauge SG Solé Master Black			
19A	63900002BSR	1	Temperature Gauge SG Solé Master White			
19B	63900041NSR	1	Temperature Gauge SG Solé Master Black			
20	63900018	1	Gasket Panel SSG30			
21A	61100000	1	Resistance 12V 18 Ohm with Connectors Panel SG			
Figure A for 12V System						
21B	61100001	1	Resistance 24V 75 Ohm with Connectors Panel SG			
Figure b for 24V System						
22	63900040	1	Buzzer Bracket			
23	53033005	2	Washer GROWER DIN 127-5			
24	52120004	2	Nut DIN 934 M4 8.8			
NS	LLAVERO.1A	1	Floating Keyring Solé Diesel			

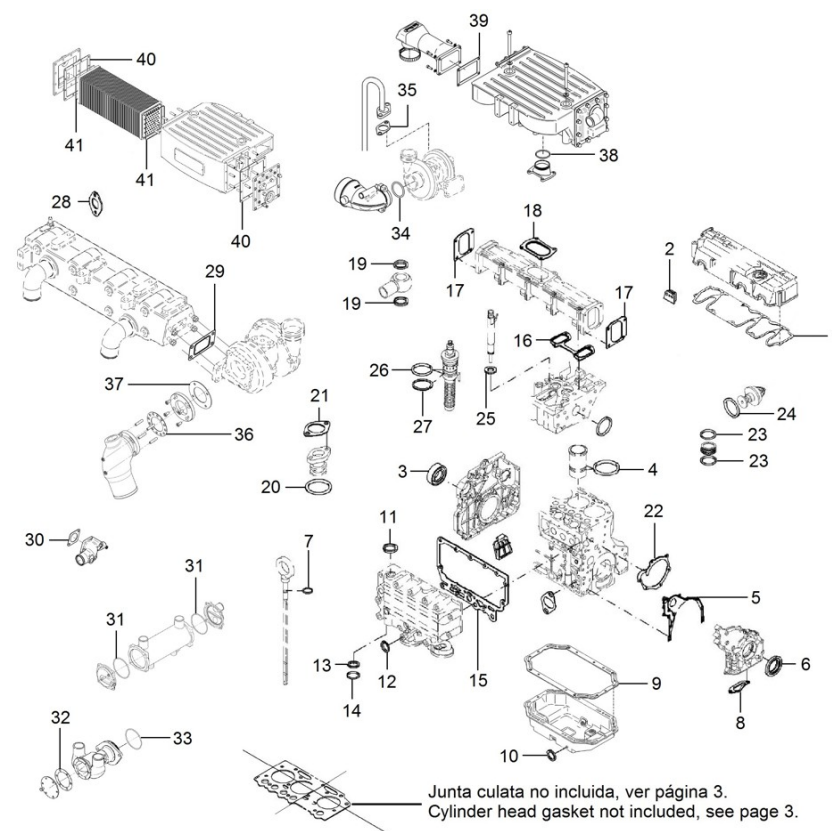


D_ALARPRO_1		Engine Extension				
Fig.	Ref.	Qty.	Descr.	Obs	From	UpTo
1A	60938210.1	1	Engine Wiring Ext. 3 M. SUPERSEAL			
1B	60985210.1	1	Engine Wiring Ext. 4 M. SUPERSEAL			
1C	60938211	1	Engine Wiring Ext. 8 M. SUPERSEAL			
1D	60985210.12.1	1	Engine Wiring Ext. 12 M. SUPERSEAL			
1E	60985210.15.1	1	Engine Wiring Ext. 15 M. SUPERSEAL			
1F	60985210.24.1	1	Engine Wiring Ext. 24 M. SUPERSEAL			
1G	60974552	1	3-way Wiring Wxtension for Auxiliary Kits 4 m			
1H	60900165	1	3-way Wiring Extension for Auxiliary Kits 6 m			
1I	60900166	1	3-way Wiring Extension for Auxiliary Kits 12 m			
1J	60900167	1	3-way Wiring Extension for Auxiliary Kits 24 m			





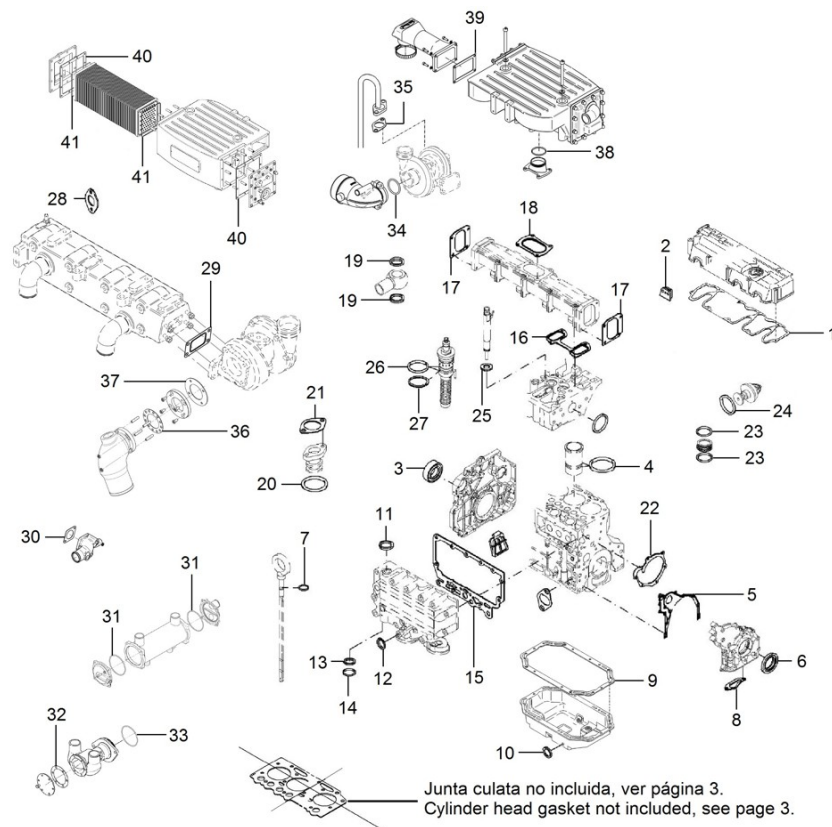
D_19420101 Gasket Kit					
Fig.	Ref.	Qty.	Descr.	Obs	From UpTo
1	19421010	1	Rocker Cover Gasket		
2	19421011	1	Cap		
3	19420039.1	1	ROT.Shaft LIP Seal		
4	19420074	8	O-Ring D. 115X3		
5	19420026.2	1	Gasket		
6	19420008	1	ROT.Shaft LIP Seal		
7	19620029.2	1	O-Ring		
8	19424056.1	1	Gasket		
9	19420033	1	Gasket		
10	19420032	2	Ring		
11	19421019	1	Sealing Ring		
12	19417001	1	Plug		
13	19422118	1	Sealing Ring		
14	19422113	2	O-Ring		
15	19424084	1	Gasket		
16	19421063	2	Gasket		
17	19421047	2	Gasket		
18	19421034	1	Gasket	26/07/2019	
19	19421016	2	Sealing Ring		
20	19428063	3	Sealing Ring		
21	19428062	1	Gasket		
22	19421040	1	Flat Gasket		
23	19421044	2	O-Ring		
24	19420150	1	O-Ring		
25	19426012	4	Sealing Ring		
26	19425002	3	O-Ring D. 40X3,5		
27	19425003	2	Shim		
28	19421181.2	4	Gasket		
29	19421183.2	1	Gasket		
30	19411010	1	Gasket		
31	16711007	1	O-Ring D. 116X4		





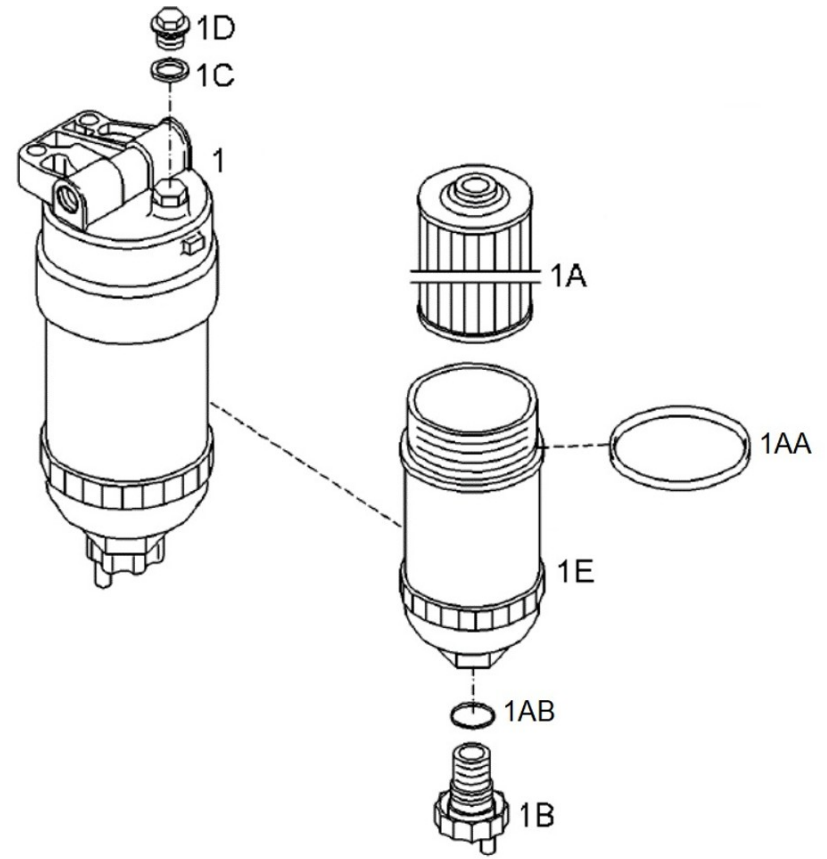
D\_19420101 Gasket Kit

Fig.	Ref.	Qty.	Descr.	Obs	From	UpTo
32	34711003	1	Gasket Cover			
33	19420221	1	O-Ring D. 82X4 VITON			
34	19410023	1	O-Ring D. 58X5 VITON			
35	19428041	1	Gasket			
36	16513016	1	Exhaust Elbow Gasket			
37	19413013	1	Gasket			
38	19421033	1	O-Ring D. 70X5 VITON			
39	19410018	1	Gasket			01/08/2019
39	LOCT5900.50	1	LOCTITE 5900 50ml		01/08/2019	
40	19410016.7B	2	Gasket			
41	19410016.12	2	O-Ring INTERCooler			



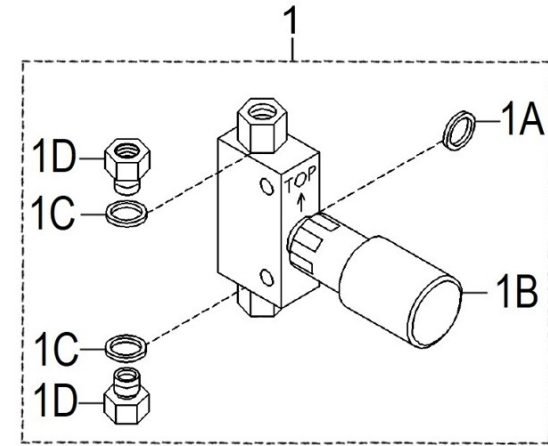
**D\_19424020 Fuel Filter**

Fig.	Ref.	Qty.	Descr.	Obs	From	UpTo
1	19424020	1	SPin-ON Fuel FILT.			
1A	19424020.3	1	Pre Fuel Filter Element SDZ-165/205/280			
1AA	19424020.2	1	O-Ring D. 95X4			
1AB	19424020.4	1	O-Ring D. 12X2,5			
1B	19424020.5	1	DRAIN Valve			
1C	19421016	1	Sealing Ring			
1D	19420071	1	Screw Plug			
1E	19424020.8	1	Filter Housing			



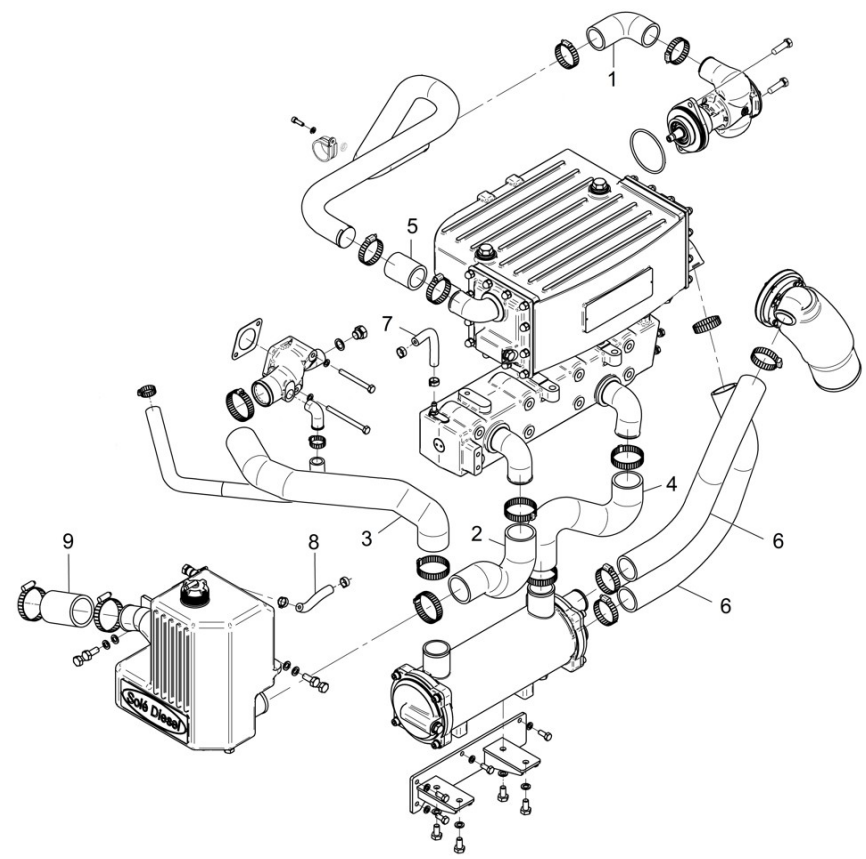
D\_19424050 Hand Pump

Fig.	Ref.	Qty.	Descr.	Obs	From	UpTo
1	19424075	1	Kit Fuel Pump			
1A	19424050.1	1	Sealing Ring			14/11/2019
1B	19424050.2	1	Hand Pump			14/11/2019
1C	19424078	2	Gasket			14/11/2019
1C	56000077	2	Washer 18-23-1,5		14/11/2019	
1D	19424050.3	2	Adapter NIPPLE			14/11/2019
1D	19424079	2	Manual Pump gasoil Fitting		14/11/2019	



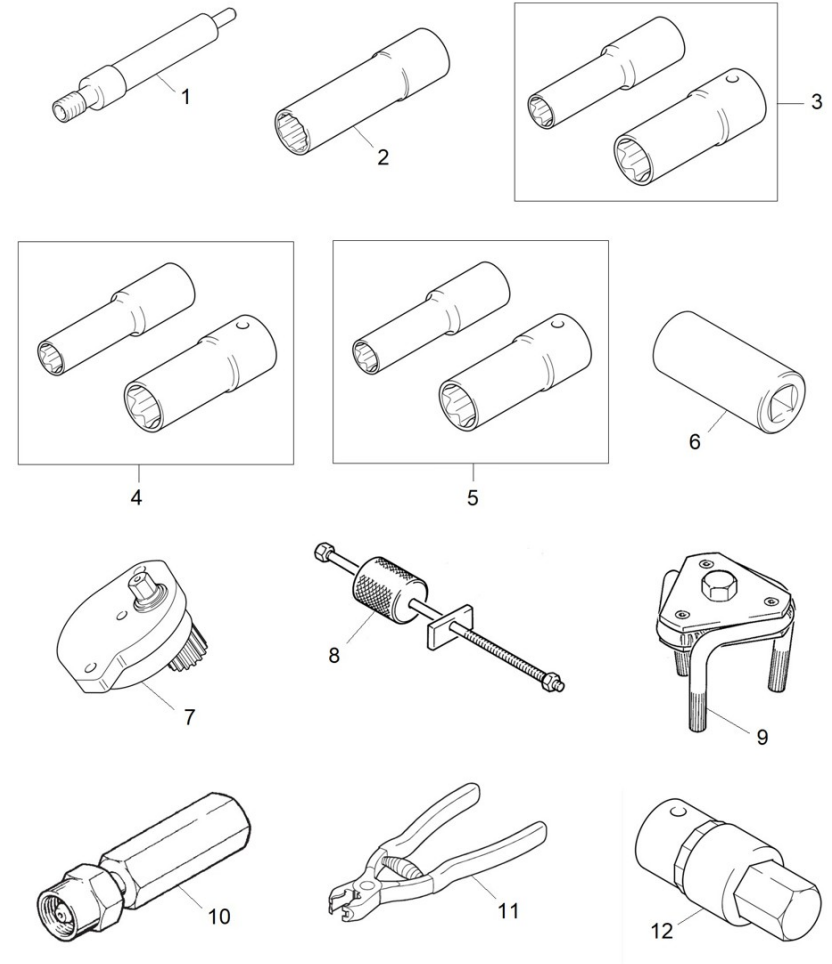
**D\_19411101 Pipe Rubber Set**

Fig.	Ref.	Qty.	Descr.	Obs	From	UpTo
1	19411015	1	Elbow			
2	19411019	1	Hose			
3	19411020	1	Hose			
4	19411021	1	Hose			
5	19411045	1	Pipe 42-54-90			
6	19411037	2	Pipe 42-52-580			
7	19411041	1	Purge Hose			
8	19411042	1	Hose			
9	19411043	1	Pipe 48-60-85			
NS	19411034	1	Pipe, Rubber			
NS	19412002	2	Water Cooler Cover			
NS	19414003.1	1	Rubber Pipe			
NS	M87502232	1	Water Intake Hose (HQ) D. 22-32			
NS	M87503848	1.0	Water Intake Hose (HQ) D. 38-48			
NS	M87504252	2	Water Intake Hose (HQ) D. 42-52			



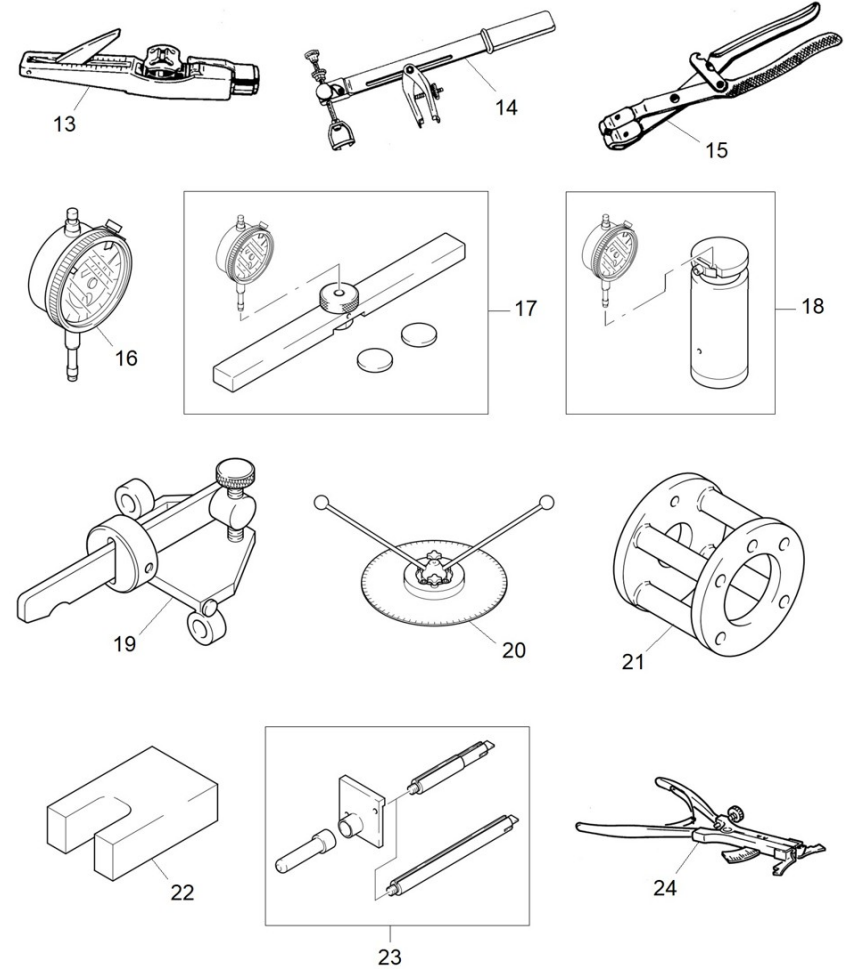
D\_UTILSDZPRO\_1 Special Tools 1/4

Fig.	Ref.	Qty.	Descr.	Obs	From	UpTo
1	UBP00006	1	Connector For Compression Tester			
2	UMSDZ001	1	Socket A/Flats 15 Long For Injector			
3	UMSDZ002	1	Torx Sockets Long Version			
4	UMSDZ003	1	Torx Sockets Long Version			
5	UMSDZ004	1	Torx Sockets Long Version			
6	UMSDZ005	1	Serrated Wrench Turning Injection Pump			
7	UMSDZ008	1	Assembly Tool For Front Crankshaft Seal			
8	UMSDZ010	1	Extractor			
9	UMSDZ011	1	Special Device Off Filter Cartridge			
10	UMSDZ012	1	Extractor Injector			
11	UMSDZ016	1	Cobra Clamp Pliers			
12	UMSDZ017	1	Screw Driver Socket			



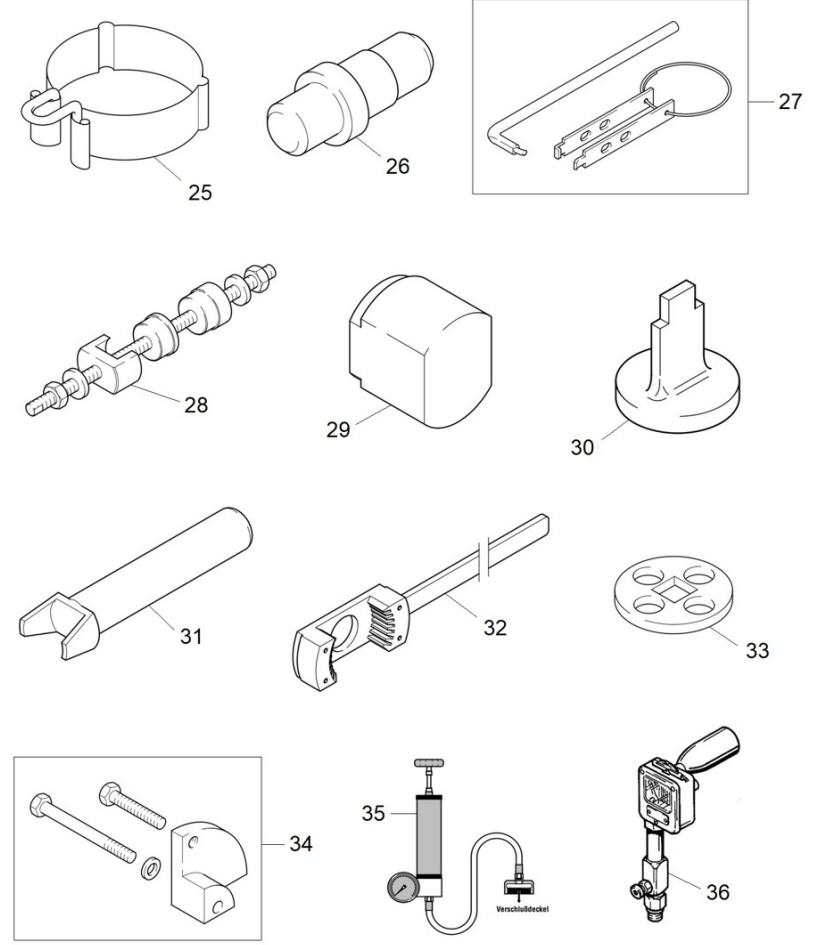
D\_UTILSDZPRO\_2 Special Tools 2/4

Fig.	Ref.	Qty.	Descr.	Obs	From	UpTo
13	UMSDZ018	1	V-Belt Tension Gauge			
14	UMSDZ019	1	Valve Spring Assembly Lever			
15	UMSDZ020	1	Spring Clamp Pliers			
16	UMSDZ024	1	Dial Gauge M2T With Locking Ring			
17	UMSDZ025	1	Measuring Bar With Spacers For Gauging			
18	UMSDZ026	1	Measuring Device Base Circle Injection			
19	UMSDZ027	1	Press-on Device For Control Rod			
20	UMSDZ028	1	GRADUATED DISC 360° For TDC and COD			
21	UMSDZ029	1	Adapter For Graduated Disc			
22	UMSDZ030	1	Dolly For Injector a/flats 11			
23	UMSDZ031	1	Assembly Tool For Control Rod Sleeves			
24	UMSDZ034	1	Piston Ring Pliers			



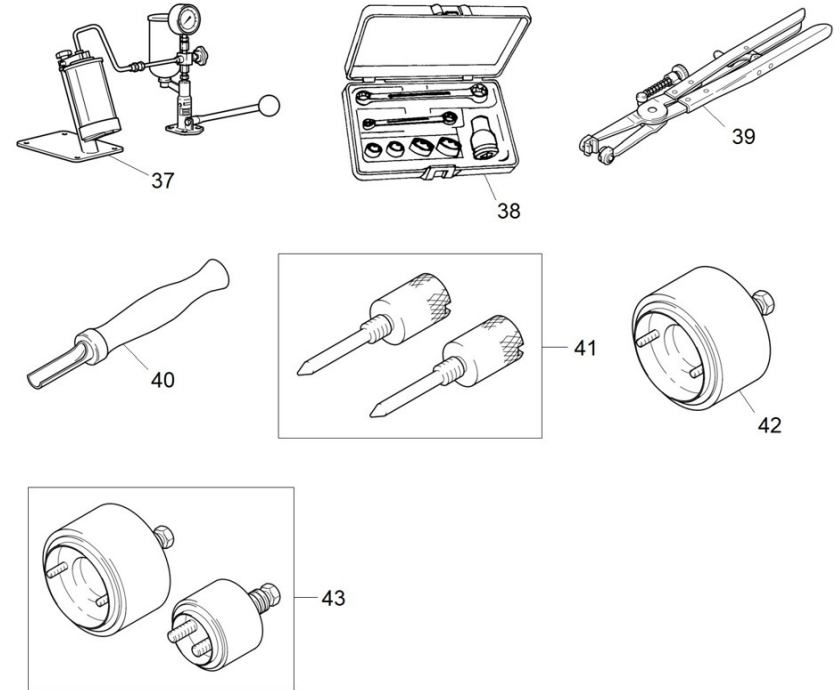
D\_UTILSDZPRO\_3 Special Tools 3/4

Fig.	Ref.	Qty.	Descr.	Obs	From	UpTo
25	UMSDZ035	1	Piston Ring Compressor			
26	UMSDZ036	1	Assembly Tool For Small End Bush			
27	UMSDZ037	1	Puller For Front And Rear Crakshaft Seal			
28	UMSDZ040	1	Assembly Tool For Camshaft Sleeves			
29	UMSDZ041	1	Assembly Tool For Cylinder Liner			
30	UMSDZ042	1	Assembly Tool For Pressure Control Valve			
31	UMSDZ043	1	Assembly Tool For Thermostat			
32	UMSDZ044	1	Dolly For Air Compressor Gear			
33	UMSDZ069	1	Turning Device			
34	UMSDZ070	1	Measuring Device For Control Rod			
35	UMSDZ058	1	Pressure Pump for Tightness Testing Coolant System			
36	UMSDZ059	1	Compression Tester			



D\_UTILSDZPRO\_4 Special Tools 4/4

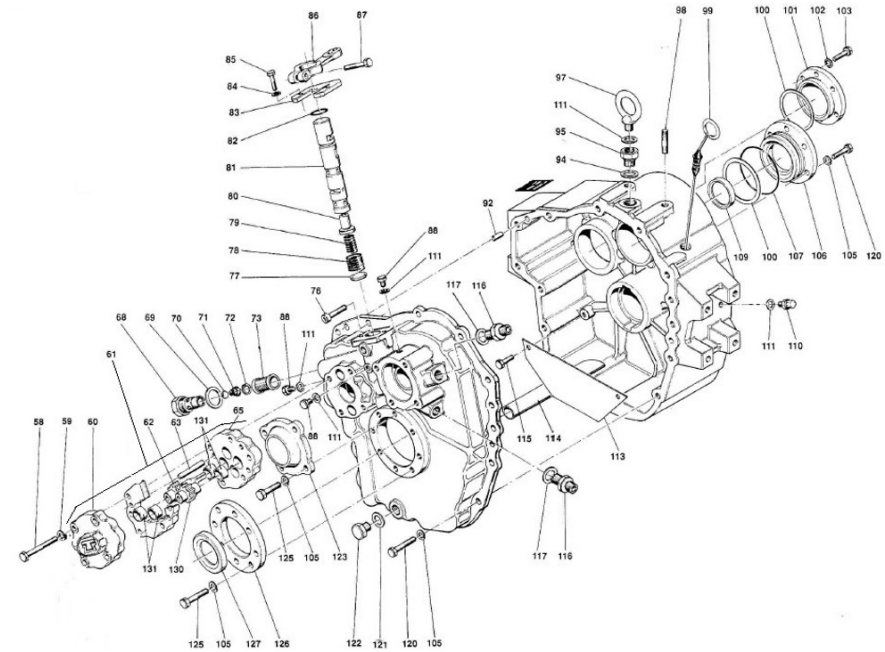
Fig.	Ref.	Qty.	Descr.	Obs	From	UpTo
37	UMSDZ060	1	Injector Tester			
38	UMSDZ061	1	Torx Torx-Werkzeugsatz Tool Kit			
39	UMSDZ062	1	Spring Clamp Pliers			
40	UMSDZ063	1	Auxiliary Tool Glow Plug Cable Coupler			
41	UMSDZ064	1	Adjusting Bolts for Mass Compensating Shafts "MAG"			
42	UMSDZ066	1	Assembly Tool For Rear Crankshaft Seal			
43	UMSDZ067	1	Turning Gear			
NS	61800001	1	Injector Tester			
NS	UBP00002	1	Test Bench Engine Test Bench SDZ-280 Pressure			
NS	UMSDZ021	1	Spring Clamp Pliers			
NS	UV19410016B	1	Turbo pressure test tool SDZ-280			
NS	UV19424040.1	1	Fuel pressure test tool SDZ-280			





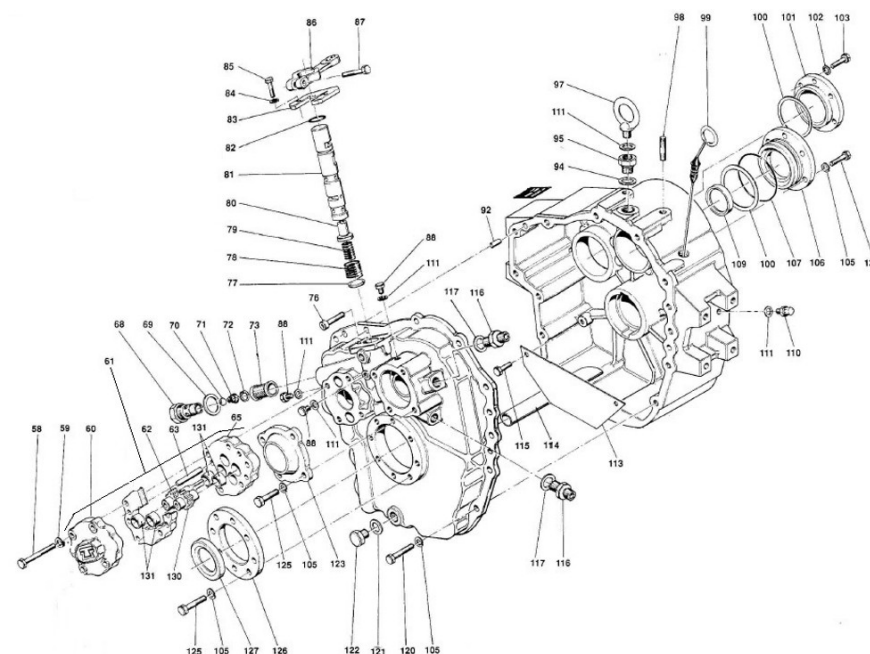
D\_5021\_1.1 Sheet 1.1/4

Fig.	Ref.	Qty.	Descr.	Obs	From	UpTo
58	52101266	4	Bolt DIN 931 M8-65 8.8			
58	52101266	4	Bolt DIN 931 M8-65 8.8			
59	53033008	4	Washer GROWER DIN 127-8			
59	53033008	4	Washer GROWER DIN 127-8			
60	24820015.1	1	Oil Pump Body			
60	24820015.1	1	Oil Pump Body			
61	24810017	1	Oil Pump Kit			
61	24810017	1	Oil Pump Kit			
62	24810096	1	Gear, Driver			
62	24810096	1	Gear, Driver			
63	24820023.1	2	Pin			
63	24820023.1	2	Pin			
65	24810026.1	1	Cover			
65	24810026.1	1	Cover			
68	24810024	1	Plug, Oil Filter DRAIN			
68	24810024	1	Plug, Oil Filter DRAIN			
69	24810027	1	Washer			
69	24810027	1	Washer			
70	18024143	1	Ball,steel 1/2"			
70	18024143	1	Ball,steel 1/2"			
71	24810030	1	Valve Spring			
71	24810030	1	Valve Spring			
72	24810032	1	SNAP Ring			
72	24810032	1	SNAP Ring			
73	24810035C	1	Oil Filter			
73	24810035C	1	Oil Filter			
76	52103309	1	Bolt DIN 912 M10-30 8.8			
76	52103309	1	Bolt DIN 912 M10-30 8.8			
77	24810055	1	Expansion Plug			
77	24810055	1	Expansion Plug			
78	24810054	1	Spring, Valve			



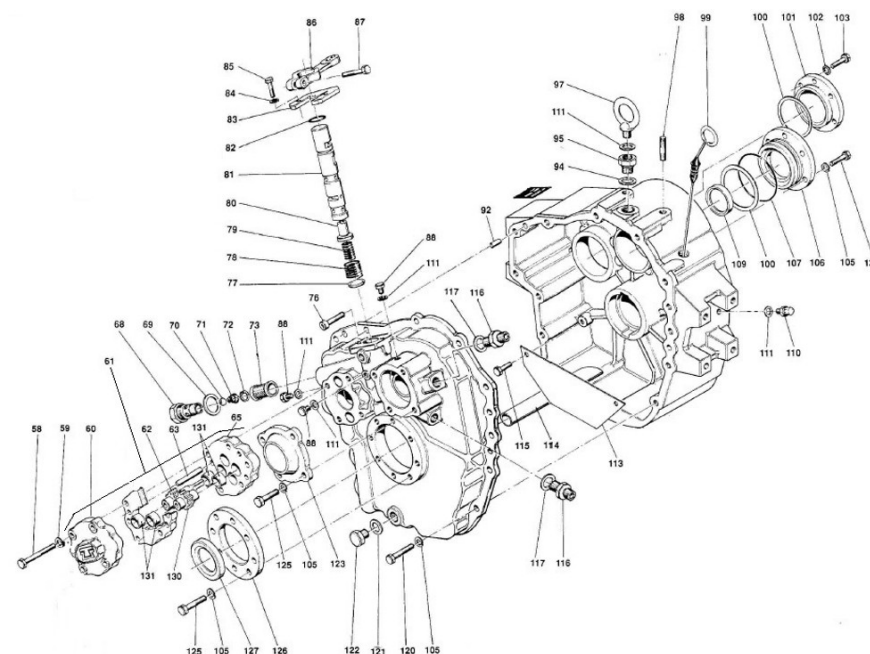
D\_5021\_1.1 Sheet 1.1/4

Fig.	Ref.	Qty.	Descr.	Obs	From	UpTo
79	24810053	1	Spring, Valve INNER			
80	24810052	1	Valve			
80	24810052	1	Valve			
81	24810051	1	Distributor			
81	24810051	1	Distributor			
82	24810045	1	O-Ring D. 15,08X2,62			
82	24810045	1	O-Ring D. 15,08X2,62			
83	24810041	1	Support			
83	24810041	1	Support			
84	53033006	2	Washer GROWER DIN 127-6			
84	53033006	2	Washer GROWER DIN 127-6			
85	52102156	2	Bolt DIN 933 M6-16 8.8			
85	52102156	2	Bolt DIN 933 M6-16 8.8			
86	24810424	1	Lever			
86	24810424	1	Lever			
87	52102258	1	Bolt DIN 933 M8-25 8.8			
87	52102258	1	Bolt DIN 933 M8-25 8.8			
88	24840039	3	Plug			
88	24840039	3	Plug			
92	24820090	2	Pin			
92	24820090	2	Pin			
94	56000083	1	Washer 21-26-1,5			
94	56000083	1	Washer 21-26-1,5			
95	24810068	1	Plug			
95	24810068	1	Plug			
97	24810012	1	Nut			
97	24810012	1	Nut			
98	24820071	1	Stud			
98	24820071	1	Stud			
99	24840008	1	Gauge Oil LEVEL			
99	24840008	1	Gauge Oil LEVEL			



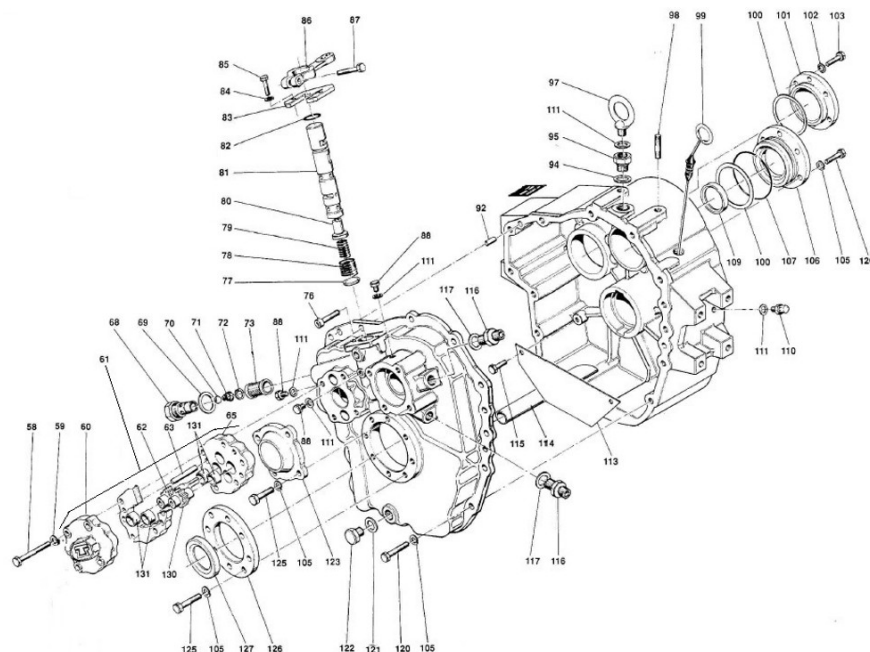
D\_5021\_1.1 Sheet 1.1/4

Fig.	Ref.	Qty.	Descr.	Obs	From	UpTo
100A	24840073	0	Spacer T=0.1 mm	#		
100B	24840074	0	Spacer T=0.3	#		
100B	24840074	0	Spacer T=0.3	#		
100C	24840076	0	Spacer T=0.15 mm	#		
100C	24840076	0	Spacer T=0.15 mm	#		
101	24840075	1	Cover, Shaft			
101	24840075	1	Cover, Shaft			
102	24840077	1	Gear			
102	24840077	1	Gear			
103	24840078	6	Screw			
103	24840078	6	Screw			
105	53033010	26	Washer GROWER DIN 127-10			
105	53033010	26	Washer GROWER DIN 127-10			
106	24840072	1	Cover, Input Shaft			
106	24840072	1	Cover, Input Shaft			
107	24840111	1	O-Ring D. 110X3,5			
107	24840111	1	O-Ring D. 110X3,5			
109	24840103	1	Grommet			
109	24840103	1	Grommet			
110	24810065	1	Plug			
110	24810065	1	Plug			
111	24810063	5	Plane Washer			
111	24810063	5	Plane Washer			
113	24840080	1	Plate Pipe			
113	24840080	1	Plate Pipe			
114	24840081	1	Tube, Aspiration			
114	24840081	1	Tube, Aspiration			
115	52102254	2	Bolt DIN 933 M8-10 8.8			
115	52102254	2	Bolt DIN 933 M8-10 8.8			
116	24810060	2	Racord			
116	24810060	2	Racord			



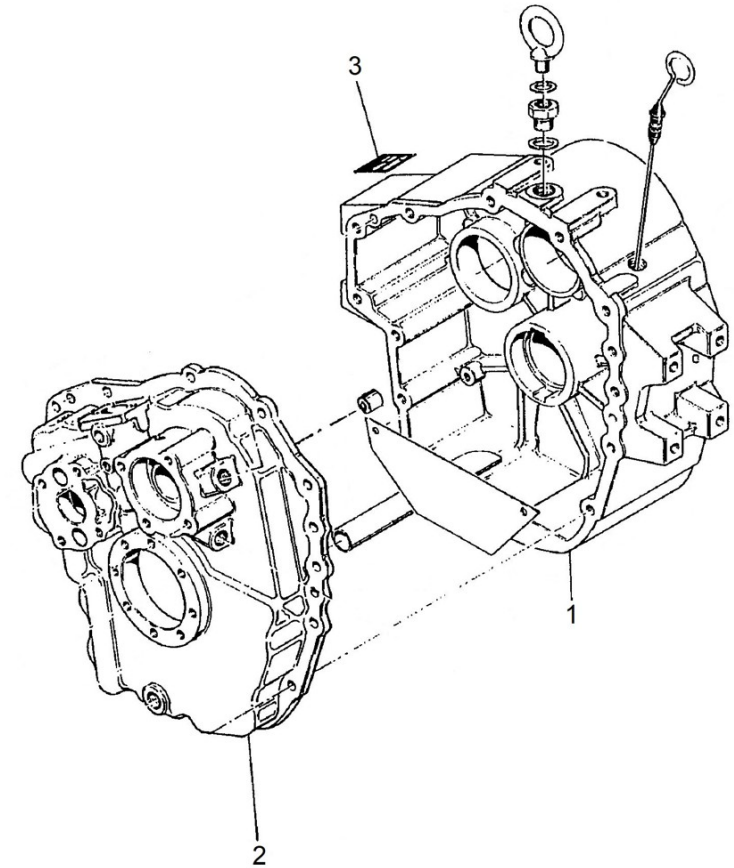
D\_5021\_1.1 Sheet 1.1/4

Fig.	Ref.	Qty.	Descr.	Obs	From	UpTo
117	24810059	2	Plane Washer			
120	52102309	19	Bolt DIN 933 M10-30 8.8			
120	52102309	19	Bolt DIN 933 M10-30 8.8			
121	56000069	1	Washer 14-20-1,5			
121	56000069	1	Washer 14-20-1,5			
122	24810011	1	Plug,oil drain			
122	24810011	1	Plug,oil drain			
123	24840038	1	Cover			
123	24840038	1	Cover			
125	24840040	12	Screw			
125	24840040	12	Screw			
126	24840208	1	Cover Front			
126	24840208	1	Cover Front			
127	24840214	1	Grommet			
127	24840214	1	Grommet			
130	24810095	1	Gear, Driven			
130	24810095	1	Gear, Driven			
131	24810025	4	Bushing			
131	24810025	4	Bushing			
NS	52103158	3	Bolt DIN 912 M6-25 8.8			
NS	52103158	3	Bolt DIN 912 M6-25 8.8			



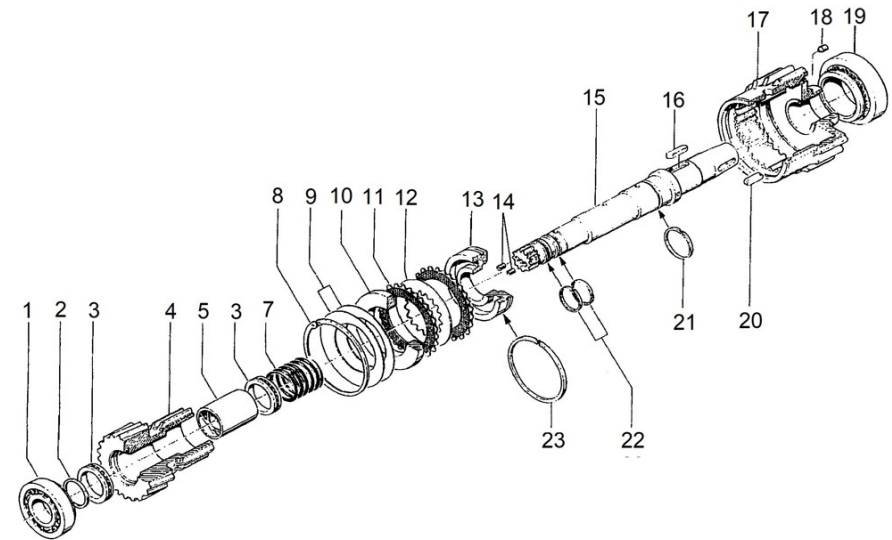
D\_5021\_1.2 Sheet 1.2/4

Fig.	Ref.	Qty.	Descr.	Obs	From	UpTo
1	24840001	1	Front Body TM265			
2	24840002	1	REVERSE Body TM265			
3	24820005.1	1	NAME Plate			



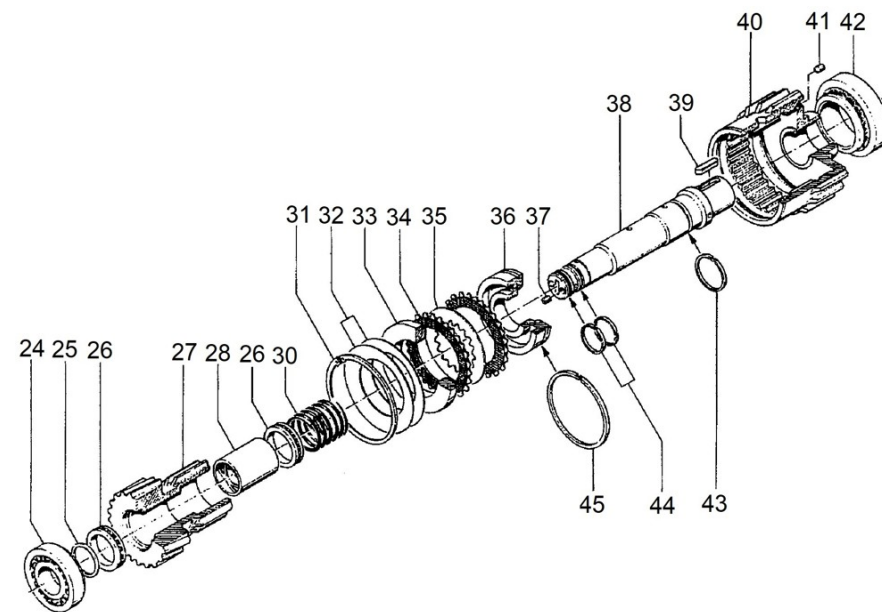
D\_5021\_2 Input Shaft 2/4

Fig.	Ref.	Qty.	Descr.	Obs	From	UpTo
1	24840104	1	Conical Roller Bearing 32309			
2	24840105	1	Washer			
3	24840106	2	Ball Bearing AXIAL 51110			
4A	24841203	1	Gear R. 1,16 TM 265			
4B	24842203	1	Gear R. 1,44 TM 265			
4C	24843203	1	Gear R. 2 TM 265			
4D	24845203	1	Gear R. 2,82 TM 265			
5	24840117	1	Bushing			
7	24840122	1	Spring			
8	24840128	1	SNAP Ring			
9	24840129	2	Ring			
10	24840113	1	Grommet			
11	24840115	9	Conduct DISK			
12	24840116	8	ConductOR Disk			
13	24840124	1	Piston			
14	24840127	2	Plug			
15	24840101	1	Input Shaft			
16	24830211	1	KEY			
17	24840130	1	Bell			
18	24810334	1	Plug			
19	24840134	1	Conical Roller Bearing 33113			
20	24840133	1	KEY			
21	24840126	1	Washer			
22	24840123	2	Washer			
23	24840125	1	Washer			



D\_5021\_3 Intermediate Shaft 3/4

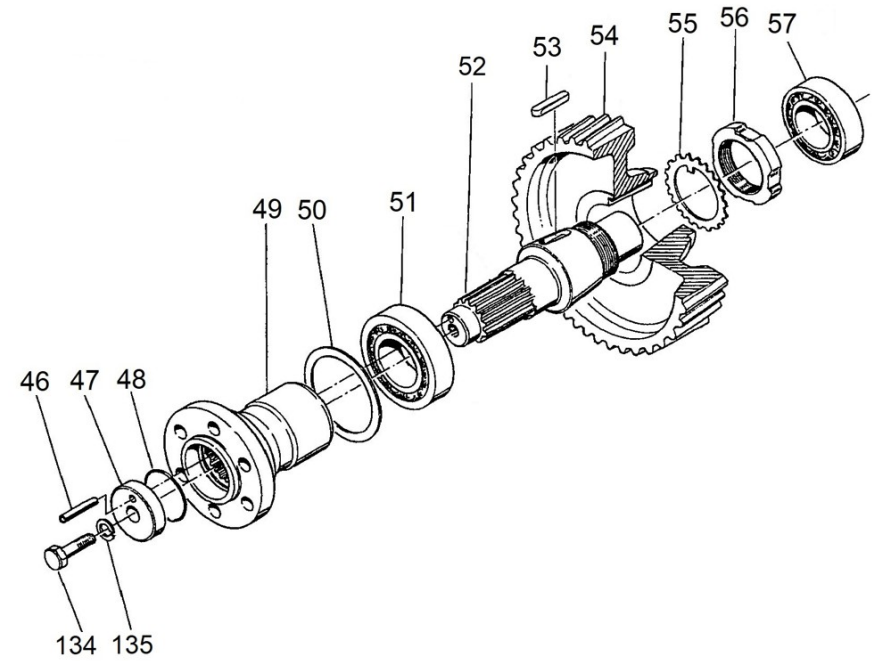
Fig.	Ref.	Qty.	Descr.	Obs	From	UpTo
24	24840104	1	Conical Roller Bearing 32309			
25	24840105	1	Washer			
26	24840106	2	Ball Bearing AXIAL 51110			
27A	24841203	1	Gear R. 1,16 TM 265			
27B	24842203	1	Gear R. 1,44 TM 265			
27C	24843203	1	Gear R. 2 TM 265			
27D	24845203	1	Gear R. 2,82 TM 265			
28	24840117	1	Bushing			
30	24840122	1	Spring			
31	24840128	1	SNAP Ring			
32	24840129	2	Ring			
33	24840113	1	Grommet			
34	24840115	9	Conduct DISK			
35	24840116	8	ConductOR Disk			
36	24840124	1	Piston			
37	24840127	1	Plug			
38	24840301	1	INTERMEDIATE Shaft			
39	24830211	1	KEY			
40	24840130	1	Bell			
41	24810334	1	Plug			
42	24840134	1	Conical Roller Bearing 33113			
43	24840126	1	Washer			
44	24840123	2	Washer			
45	24840125	1	Washer			





D\_5021\_4 Output Shaft 4/4

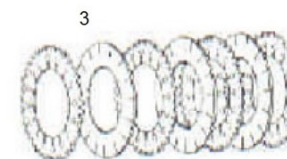
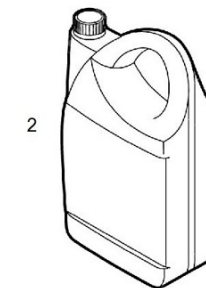
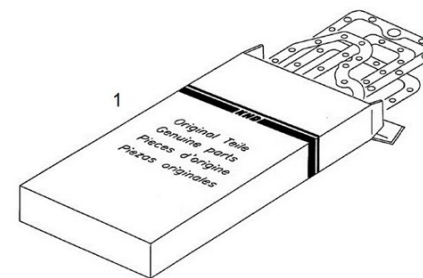
Fig.	Ref.	Qty.	Descr.	Obs	From	UpTo
46	24840220	1	Pin			
47	24840219	1	Washer, BUTT Flange			
48	24840225	1	O-Ring D. 55X5,3			
49	24840224	1	Flange, Output			
50A	24840226	0	Spacer T=0.1 mm	#		
50B	24840228	0	Spacer T=0.3 mm	#		
50C	24840229	0	Spacer T=0.15 mm	#		
51	24840206	1	Conical Roller Bearing 32312			
52	24840201	1	Output Shaft			
53	24840211	1	KEY			
54A	24842210	1	Gear Red. 1,16 TM 265			
54B	24843210	1	Gear R. 1,44 TM 265			
54C	24844210	1	Gear R. 2 TM 265			
54D	24845210	1	Gear R. 2,82 TM 265			
55	24840227	1	Gear			
56	24840213	1	Nut			
57	24840212	1	Conical Roller Bearing 32310			
134	24840222	1	Screw M18x50			
135	24840221	1	Washer D.18			





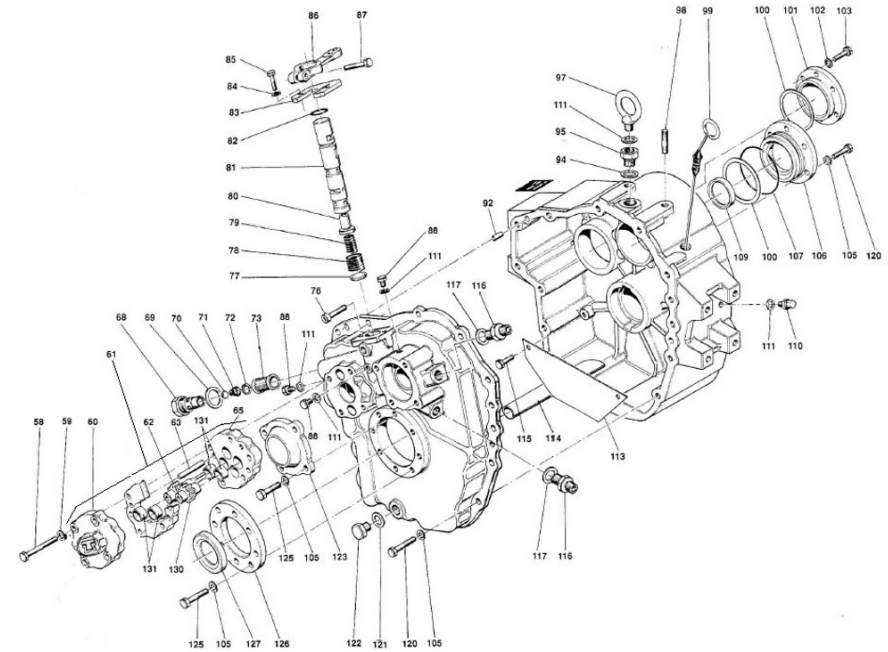
D\_5021\_5 Maintenance Kit

Fig.	Ref.	Qty.	Descr.	Obs	From	UpTo
1	24840401	1	Kit Gasket			
1	24840401	1	Kit Gasket			
2	A0105000	1	15W40 Sole Diesel Oil 5L			
2	A0105000	1	15W40 Sole Diesel Oil 5L			
3	24840403	2	Clutch Plate Kit			
3	24840403	2	Clutch Plate Kit			



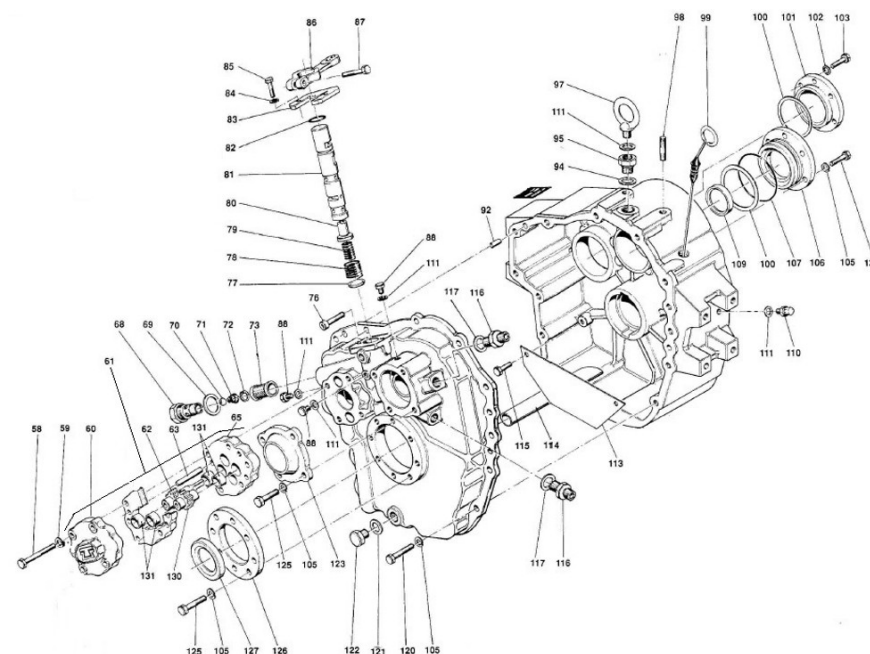
D\_5021\_1.1 Sheet 1.1/4

Fig.	Ref.	Qty.	Descr.	Obs	From	UpTo
58	52101266	4	Bolt DIN 931 M8-65 8.8			
58	52101266	4	Bolt DIN 931 M8-65 8.8			
59	53033008	4	Washer GROWER DIN 127-8			
59	53033008	4	Washer GROWER DIN 127-8			
60	24820015.1	1	Oil Pump Body			
60	24820015.1	1	Oil Pump Body			
61	24810017	1	Oil Pump Kit			
61	24810017	1	Oil Pump Kit			
62	24810096	1	Gear, Driver			
62	24810096	1	Gear, Driver			
63	24820023.1	2	Pin			
63	24820023.1	2	Pin			
65	24810026.1	1	Cover			
65	24810026.1	1	Cover			
68	24810024	1	Plug, Oil Filter DRAIN			
68	24810024	1	Plug, Oil Filter DRAIN			
69	24810027	1	Washer			
69	24810027	1	Washer			
70	18024143	1	Ball,steel 1/2"			
70	18024143	1	Ball,steel 1/2"			
71	24810030	1	Valve Spring			
71	24810030	1	Valve Spring			
72	24810032	1	SNAP Ring			
72	24810032	1	SNAP Ring			
73	24810035C	1	Oil Filter			
73	24810035C	1	Oil Filter			
76	52103309	1	Bolt DIN 912 M10-30 8.8			
76	52103309	1	Bolt DIN 912 M10-30 8.8			
77	24810055	1	Expansion Plug			
77	24810055	1	Expansion Plug			
78	24810054	1	Spring, Valve			



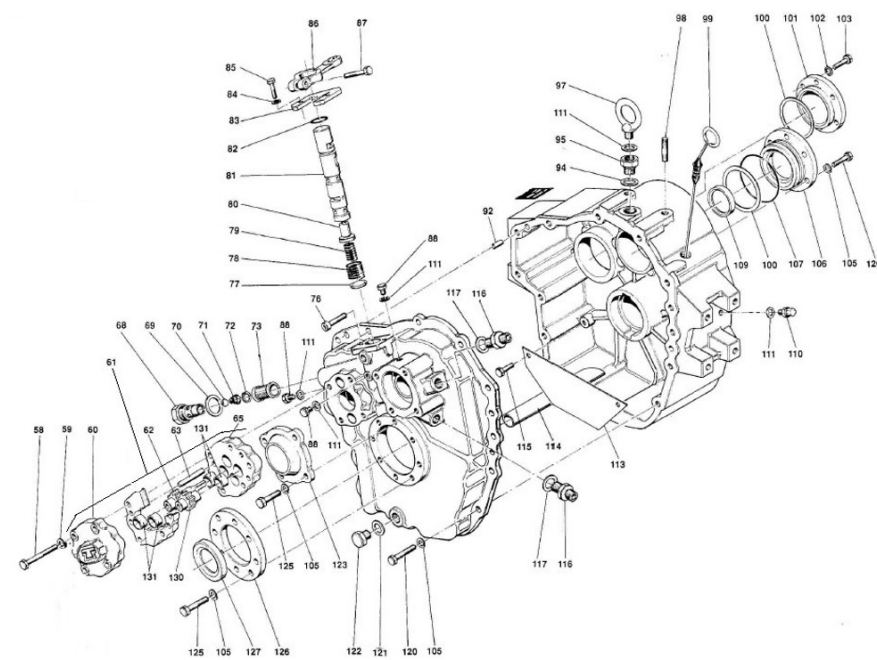
D\_5021\_1.1 Sheet 1.1/4

Fig.	Ref.	Qty.	Descr.	Obs	From	UpTo
79	24810053	1	Spring, Valve INNER			
80	24810052	1	Valve			
80	24810052	1	Valve			
81	24810051	1	Distributor			
81	24810051	1	Distributor			
82	24810045	1	O-Ring D. 15,08X2,62			
82	24810045	1	O-Ring D. 15,08X2,62			
83	24810041	1	Support			
83	24810041	1	Support			
84	53033006	2	Washer GROWER DIN 127-6			
84	53033006	2	Washer GROWER DIN 127-6			
85	52102156	2	Bolt DIN 933 M6-16 8.8			
85	52102156	2	Bolt DIN 933 M6-16 8.8			
86	24810424	1	Lever			
86	24810424	1	Lever			
87	52102258	1	Bolt DIN 933 M8-25 8.8			
87	52102258	1	Bolt DIN 933 M8-25 8.8			
88	24840039	3	Plug			
88	24840039	3	Plug			
92	24820090	2	Pin			
92	24820090	2	Pin			
94	56000083	1	Washer 21-26-1,5			
94	56000083	1	Washer 21-26-1,5			
95	24810068	1	Plug			
95	24810068	1	Plug			
97	24810012	1	Nut			
97	24810012	1	Nut			
98	24820071	1	Stud			
98	24820071	1	Stud			
99	24840008	1	Gauge Oil LEVEL			
99	24840008	1	Gauge Oil LEVEL			



D\_5021\_1.1 Sheet 1.1/4

Fig.	Ref.	Qty.	Descr.	Obs	From	UpTo
100A	24840073	0	Spacer T=0.1 mm	#		
100B	24840074	0	Spacer T=0.3	#		
100B	24840074	0	Spacer T=0.3	#		
100C	24840076	0	Spacer T=0.15 mm	#		
100C	24840076	0	Spacer T=0.15 mm	#		
101	24840075	1	Cover, Shaft			
101	24840075	1	Cover, Shaft			
102	24840077	1	Gear			
102	24840077	1	Gear			
103	24840078	6	Screw			
103	24840078	6	Screw			
105	53033010	26	Washer GROWER DIN 127-10			
105	53033010	26	Washer GROWER DIN 127-10			
106	24840072	1	Cover, Input Shaft			
106	24840072	1	Cover, Input Shaft			
107	24840111	1	O-Ring D. 110X3,5			
107	24840111	1	O-Ring D. 110X3,5			
109	24840103	1	Grommet			
109	24840103	1	Grommet			
110	24810065	1	Plug			
110	24810065	1	Plug			
111	24810063	5	Plane Washer			
111	24810063	5	Plane Washer			
113	24840080	1	Plate Pipe			
113	24840080	1	Plate Pipe			
114	24840081	1	Tube, Aspiration			
114	24840081	1	Tube, Aspiration			
115	52102254	2	Bolt DIN 933 M8-10 8.8			
115	52102254	2	Bolt DIN 933 M8-10 8.8			
116	24810060	2	Racord			
116	24810060	2	Racord			



D\_5021\_1.1 Sheet 1.1/4

Fig.	Ref.	Qty.	Descr.	Obs	From	UpTo
117	24810059	2	Plane Washer			
120	52102309	19	Bolt DIN 933 M10-30 8.8			
120	52102309	19	Bolt DIN 933 M10-30 8.8			
121	56000069	1	Washer 14-20-1,5			
121	56000069	1	Washer 14-20-1,5			
122	24810011	1	Plug,oil drain			
122	24810011	1	Plug,oil drain			
123	24840038	1	Cover			
123	24840038	1	Cover			
125	24840040	12	Screw			
125	24840040	12	Screw			
126	24840208	1	Cover Front			
126	24840208	1	Cover Front			
127	24840214	1	Grommet			
127	24840214	1	Grommet			
130	24810095	1	Gear, Driven			
130	24810095	1	Gear, Driven			
131	24810025	4	Bushing			
131	24810025	4	Bushing			
NS	52103158	3	Bolt DIN 912 M6-25 8.8			
NS	52103158	3	Bolt DIN 912 M6-25 8.8			

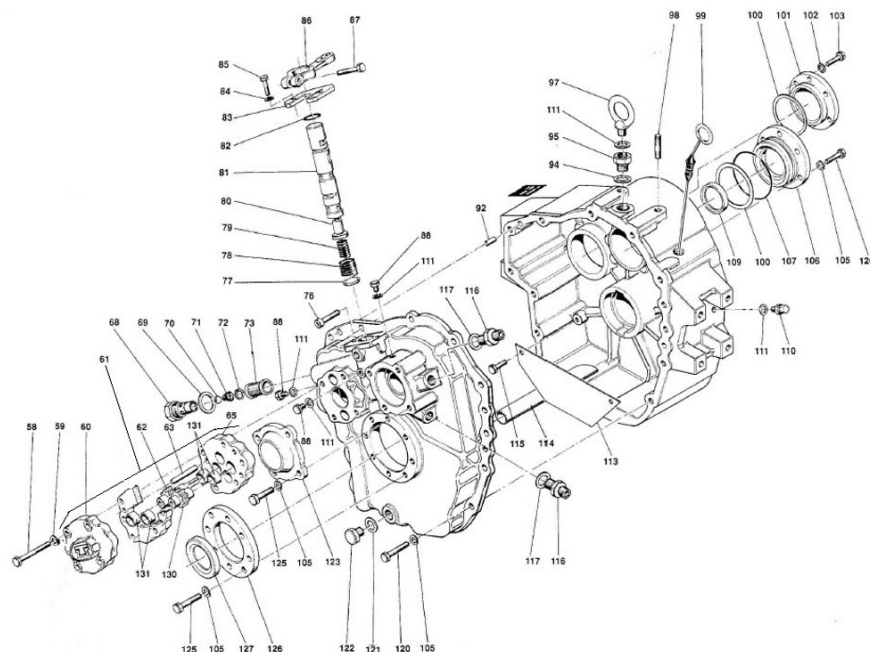
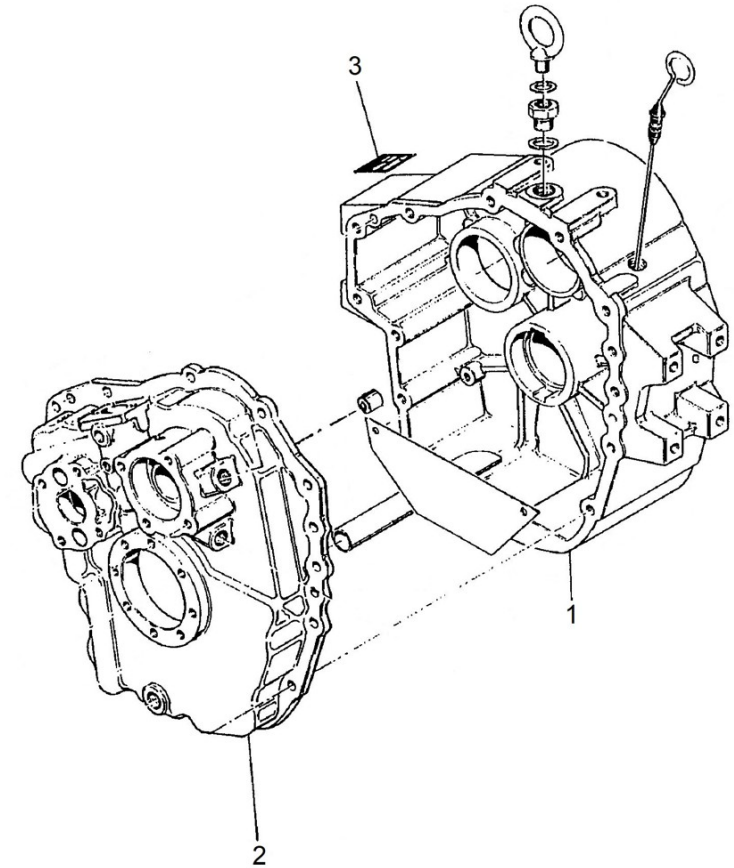
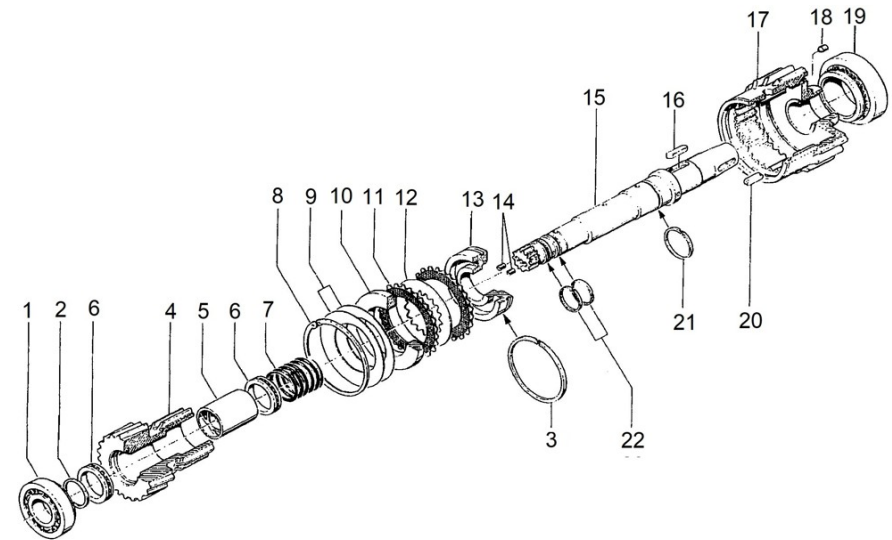


Fig.	Ref.	Qty.	Descr.	Obs	From	UpTo
1	24840001A	1	Front Body TM265A			
2	24840002A	1	Reverse Body TM265A			
3	24820005.1	1	NAME Plate			



D\_5022\_2 Input Shaft 2/4

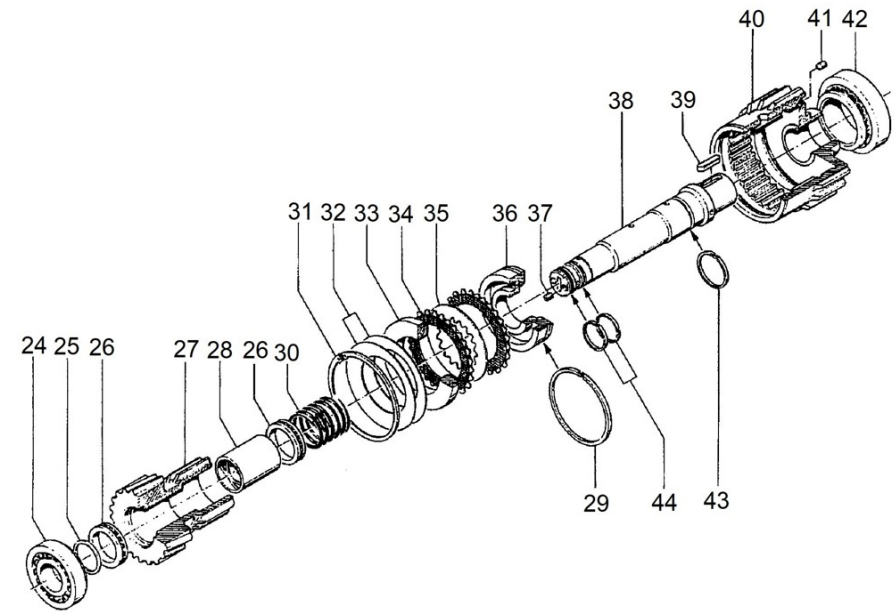
Fig.	Ref.	Qty.	Descr.	Obs	From	UpTo
1	24840104	1	Conical Roller Bearing 32309			
2	24840105	1	Washer			
3	24840125	1	Washer			
4A	24842203A	1	Gear R. 1,44 TM 265A			
4B	24843203A	1	Gear R. 2 TM 265A			
4C	24844203A	1	Gear R. 2,3 TM 265A			
5	24840117	1	Bushing			
6	24840106	2	Ball Bearing AXIAL 51110			
7	24840122	1	Spring			
8	24840128	1	SNAP Ring			
9	24840129	2	Ring			
10	24840113	1	Grommet			
11	24840115	9	Conduct DISK			
12	24840116	8	ConductOR Disk			
13	24840124	1	Piston			
14	24840127	2	Plug			
15	24840101	1	Input Shaft			
16	24830211	1	KEY			
17	24840130	1	Bell			
18	24810334	1	Plug			
19	24840134	1	Conical Roller Bearing 33113			
20	24840133	1	KEY			
21	24840126	1	Washer			
22	24840123	2	Washer			





D\_5022\_3 Intermediate Shaft 3/4

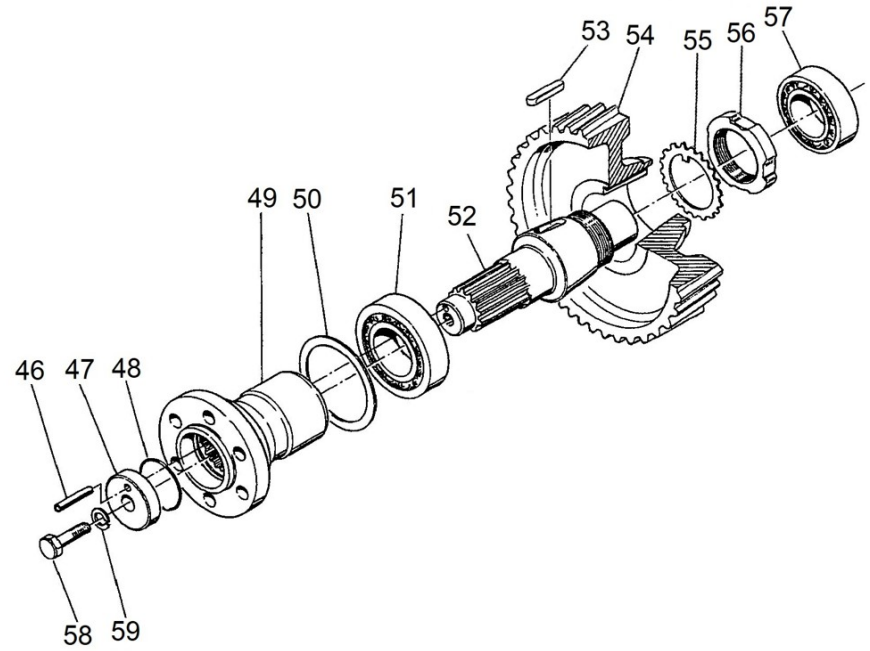
Fig.	Ref.	Qty.	Descr.	Obs	From	UpTo
24	24840104	1	Conical Roller Bearing 32309			
25	24840105	1	Washer			
26	24840106	2	Ball Bearing AXIAL 51110			
27A	24842302A	1	Gear R. 1,44 TM 265A			
27B	24843302A	1	Gear R. 2 TM 265A			
27C	24844302A	1	Gear R. 2,3 TM 265A			
28	24840117	1	Bushing			
29	24840125	1	Washer			
30	24840122	1	Spring			
31	24840128	1	SNAP Ring			
32	24840129	2	Ring			
33	24840113	1	Grommet			
34	24840115	9	Conduct DISK			
35	24840116	8	ConductOR Disk			
36	24840124	1	Piston			
37	24840127	1	Plug			
38	24840301	1	INTERMEDIATE Shaft			
39	24830211	1	KEY			
40	24840130	1	Bell			
41	24810334	1	Plug			
42	24840134	1	Conical Roller Bearing 33113			
43	24840126	1	Washer			
44	24840123	2	Washer			





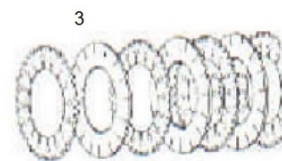
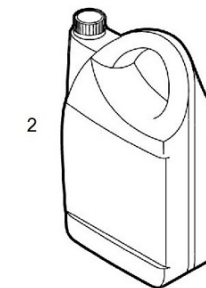
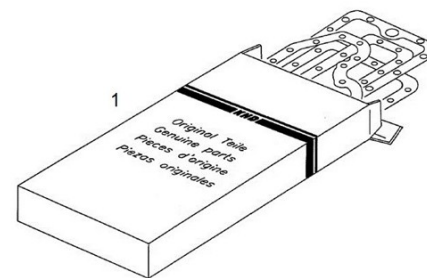
D\_5022\_4 Output Shaft 4/4

Fig.	Ref.	Qty.	Descr.	Obs	From	UpTo
46	24840220	1	Pin			
47	24840219	1	Washer, BUTT Flange			
48	24840225	1	O-Ring D. 55X5,3			
49	24840224	1	Flange, Output			
50A	24840226	1	Spacer T=0.1 mm			
50B	24840228	1	Spacer T=0.3 mm			
50C	24840229	1	Spacer T=0.15 mm			
51	24840206	1	Conical Roller Bearing 32312			
52	24840201	1	Output Shaft			
53	24840211	1	KEY			
54A	24842210A	1	Gear R. 1,44 TM 265A			
54B	24843210A	1	Gear R. 2 TM 265A			
54C	24844210A	1	Gear R. 2,3 TM 265A			
55	24840227	1	Gear			
56	24840213	1	Nut			
57	24840212	1	Conical Roller Bearing 32310			
58	24840222	1	Screw M18x50			
59	24840221	1	Washer D.18			



D\_5021\_5 Maintenance Kit

Fig.	Ref.	Qty.	Descr.	Obs	From	UpTo
1	24840401	1	Kit Gasket			
1	24840401	1	Kit Gasket			
2	A0105000	1	15W40 Sole Diesel Oil 5L			
2	A0105000	1	15W40 Sole Diesel Oil 5L			
3	24840403	2	Clutch Plate Kit			
3	24840403	2	Clutch Plate Kit			



D\_5026\_1.1 Sheet 1.1/4

Fig.	Ref.	Qty.	Descr.	Obs	From	UpTo
1	24820090	2	Pin			
2	24816080	1	Plate Pipe			
3	24810082	2	Screw			
4	24816001	1	Front Body TM 880A			
5	24810047	6	Screw			
6	24810014	6	Washer			
7	24820072	1	Cover Input Shaft			
8	24820103	1	Oil Grommet			
9	24810065	1	Plug			
10	24820005.1	1	NAME Plate			
11	24810071	2	Stud			
12	56000083	1	Washer 21-26-1,5			
13	24810012	1	Nut			
14	24810063	1	Plane Washer			
15	24810068	1	Plug			
16	24810008	1	ROD, Oil LEVEL			
17	24820071	2	Stud			
18	24816002	1	REVERSE Body TM 880A			
19	24810059	1	Plane Washer			
20	24810060	1	Racord			
21	24810062	1	Valve BY PASS			
22	24820086	1	Washer			
23	24830105	1	Plug			
24	24820102	1	Cover, REAR			

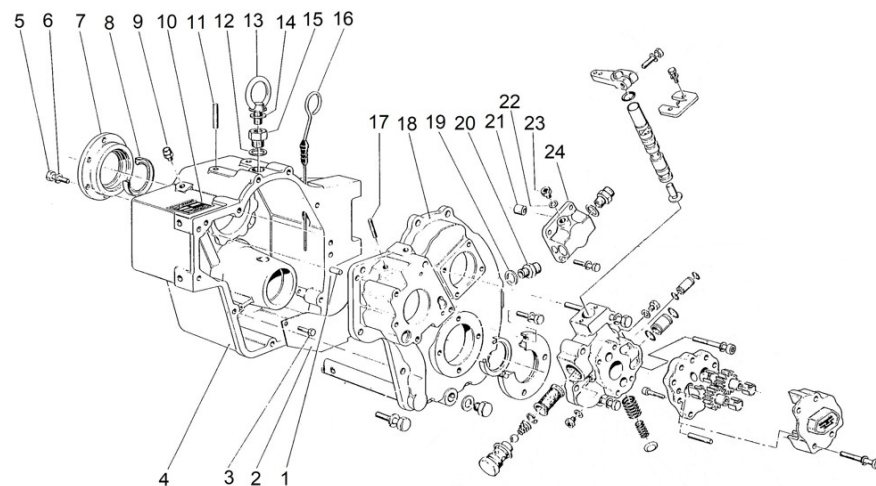
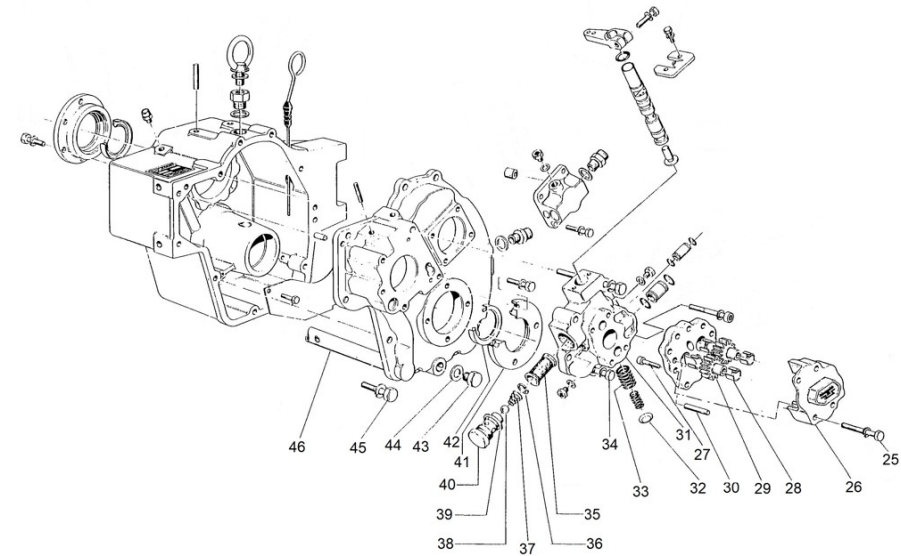


Fig.	Ref.	Qty.	Descr.	Obs	From	UpTo
25	24810013	4	Screw			
25	24810013	4	Screw			
26	24820015.1	1	Oil Pump Body			
26	24820015.1	1	Oil Pump Body			
27	24820025.1	3	Screw			
27	24820025.1	3	Screw			
28	24810025	4	Bushing			
28	24810025	4	Bushing			
29	24810096	1	Gear, Driver			
29	24810096	1	Gear, Driver			
30	24820023.1	2	Pin			
30	24820023.1	2	Pin			
31	24820026	1	Distributor Cap			
31	24820026	1	Distributor Cap			
32	24810055	1	Expansion Plug			
32	24810055	1	Expansion Plug			
33	24816054	1	Spring, Valve			
33	24816054	1	Spring, Valve			
34	24820098	2	Screw M10X50			
34	24820098	2	Screw M10X50			
35	24810035	1	Oil Filter			
35	24810035	1	Oil Filter			
36	24810032	1	SNAP Ring			
36	24810032	1	SNAP Ring			
37	24810030	1	Valve Spring			
37	24810030	1	Valve Spring			
38	18024143	1	Ball,steel 1/2"			
38	18024143	1	Ball,steel 1/2"			
39	24810027	1	Washer			
39	24810027	1	Washer			
40	24810024	1	Plug, Oil Filter DRAIN			



D\_5026\_1.2 Sheet 1.2/4

Fig.	Ref.	Qty.	Descr.	Obs	From	UpTo
41	24820208	1	Cover Front			
42	24820214	1	Grommet			
42	24820214	1	Grommet			
43	24810011	1	Plug,oil drain			
43	24810011	1	Plug,oil drain			
44	24810088	1	Plane Washer			
44	24810088	1	Plane Washer			
45	52101314	1	Bolt DIN 931 M10-55 8.8			
45	52101314	1	Bolt DIN 931 M10-55 8.8			
46	24816081	1	Aspiration Tube TM 880A			
46	24816081	1	Aspiration Tube TM 880A			
NS	52103311	9	Bolt DIN 912 M10-40 8.8			
NS	52103311	9	Bolt DIN 912 M10-40 8.8			

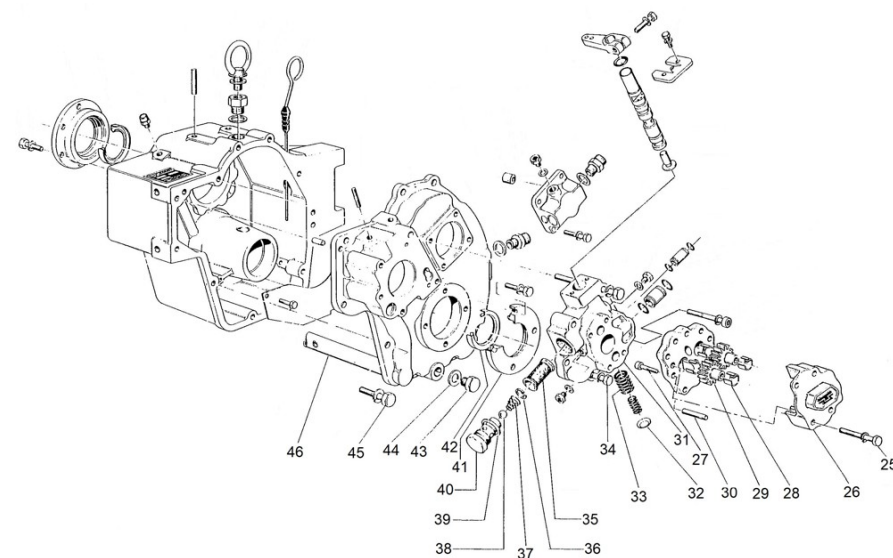
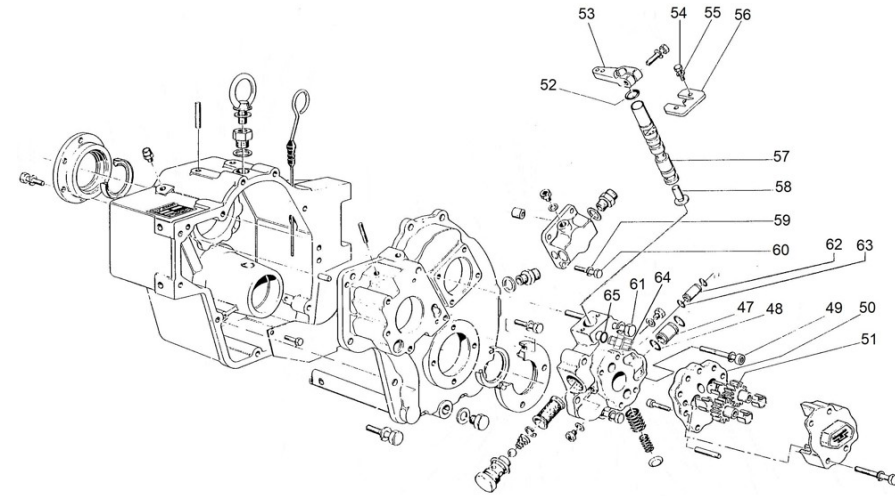
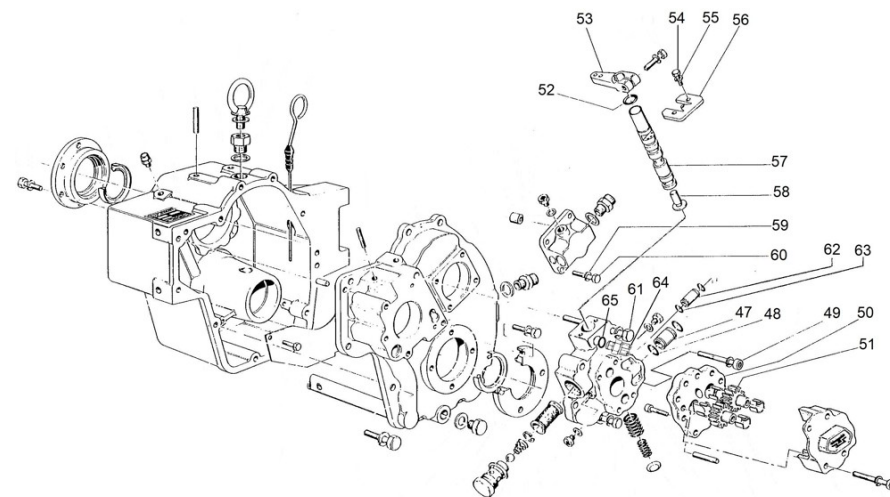


Fig.	Ref.	Qty.	Descr.	Obs	From	UpTo
47	24820062	2	Tube, Racord			
47	24820062	2	Tube, Racord			
48	24820063	2	O-Ring D. 15X1,7			
48	24820063	2	O-Ring D. 15X1,7			
49	24820013	2	Screw M10X30			
49	24820013	2	Screw M10X30			
50	24810026.1	3	Cover			
50	24810026.1	3	Cover			
51	24810095	3	Gear, Driven			
51	24810095	3	Gear, Driven			
52	24810056	1	O-Ring			
52	24810056	1	O-Ring			
53	24810424	1	Lever			
53	24810424	1	Lever			
54	24810044	2	Screw			
54	24810044	2	Screw			
55	24810042	2	Washer			
55	24810042	2	Washer			
56	24810041	1	Support			
56	24810041	1	Support			
57	24810051	1	Distributor			
57	24810051	1	Distributor			
58	24810052	1	Valve			
58	24810052	1	Valve			
59	24820075	4	Washer			
59	24820075	4	Washer			
60	24820076	4	Screw M10X30			
60	24820076	4	Screw M10X30			
61	24820087	1	Screw M10X130			
61	24820087	1	Screw M10X130			
62	24820060	1	Tube, Racord			



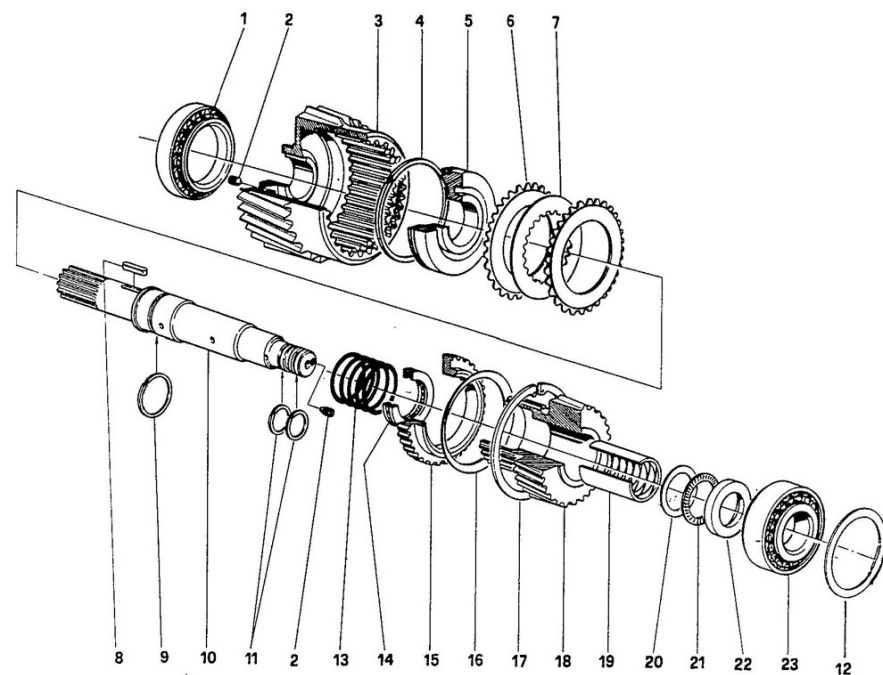
D\_5026\_1.3 Sheet 1.3/4

Fig.	Ref.	Qty.	Descr.	Obs	From	UpTo
63	24820059	2	O-Ring D. 10X1,7			
64	24810048	1	GR. Crazy Switch			
64	24810048	1	GR. Crazy Switch			
65	24810533	1	O-Ring D. 14X1,7			
65	24810533	1	O-Ring D. 14X1,7			



D\_5026\_2 Input Shaft 2/4

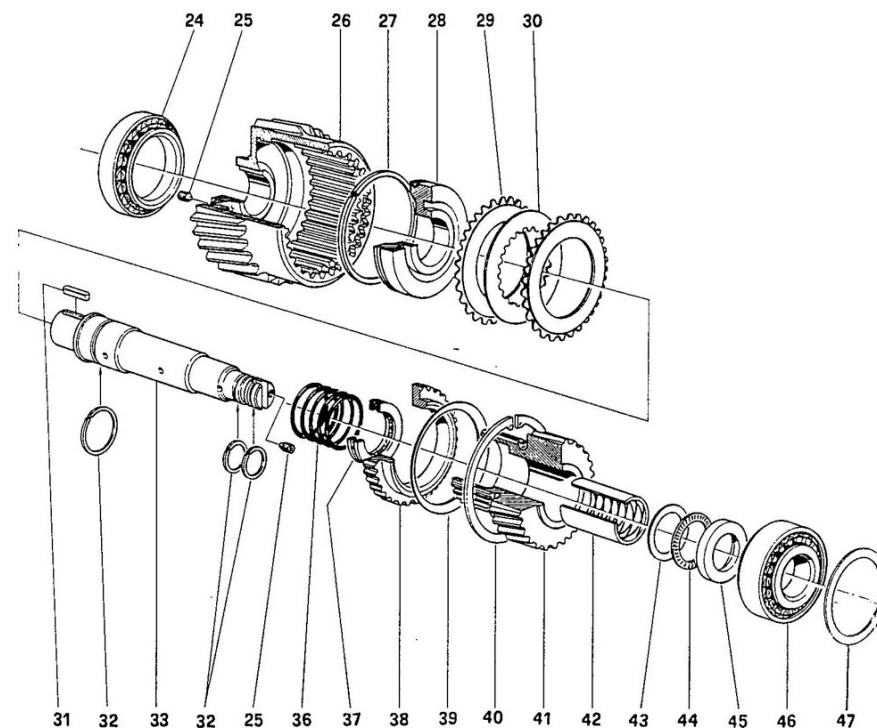
Fig.	Ref.	Qty.	Descr.	Obs	From	UpTo
1	24820134	1	Conical Roller Bearing 32011-JR			
2	24810326	2	Plug			
3	24820130	1	Bell			
4	24820125	1	Washer			
5	24820124	1	Piston			
6	24820115	9	Disk			
7	24820116	8	Disk			
8	24810211	1	KEY			
9	24820126	1	Washer			
10	24820101	1	Input Shaft			
11	24810328	2	Washer			
12	24810333	0	Spacer	#		
13	24820122	1	Spring			
14	24820123	1	Bearing			
15	24820113	1	Grommet			
16	24820129	1	Ring			
17	24820128	1	SNAP Ring			
18A	24822302	1	Gear R. 1,50 TM 170			
18B	24823302	1	Gear R. 2,04 TM 170			
18C	24824302	1	Gear R. 2.50 TM 170			
19	24820117	1	Bushing			
20	24820118	1	Ring			
21	24820121	1	Roller Bearing AXK-4060			
22	24820105	1	Washer			
23	24820104	1	Conical Roller Bearing 32307			





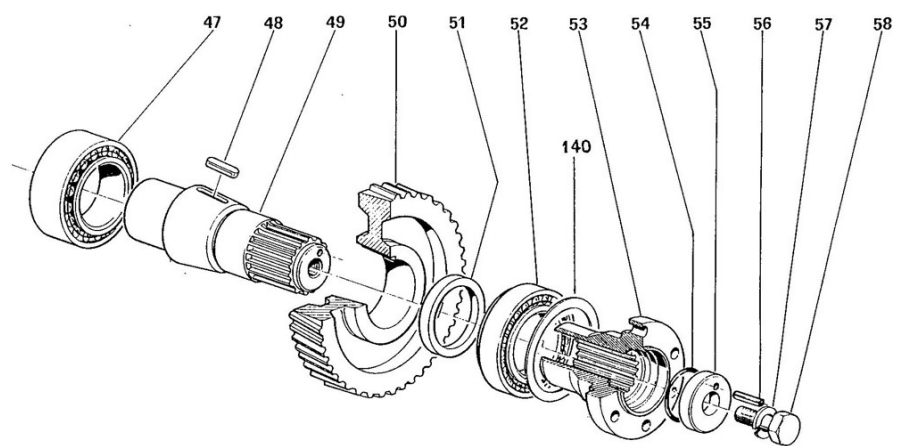
D\_5026\_3 Intermediate Shaft 3/4

Fig.	Ref.	Qty.	Descr.	Obs	From	UpTo
24	24820134	1	Conical Roller Bearing 32011-JR			
25	24810326	2	Plug			
26	24820330	1	Bell			
27	24820125	1	Washer			
28	24820124	1	Piston			
29	24820115	9	Disk			
30	24820116	8	Disk			
31	24810211	1	KEY			
32	24820126	2	Washer			
33	24820301	1	INTERMEDIATE Shaft			
36	24820122	1	Spring			
37	24820123	1	Bearing			
38	24820113	1	Grommet			
39	24820129	1	Ring			
40	24820128	1	SNAP Ring			
41A	24822302A	1	Gear R. 1,53 TM 170A			
41B	24823302A	1	Gear R. 2,08 TM 170A			
41C	24824302A	1	Gear R. 2,60 TM 170A			
42	24820117	1	Bushing			
43	24820118	1	Ring			
44	24820121	1	Roller Bearing AXK-4060			
45	24820105	1	Washer			
46	24820104	1	Conical Roller Bearing 32307			
47	24810333	0	Spacer	#		



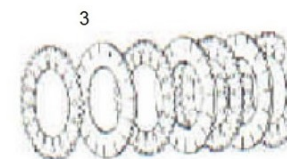
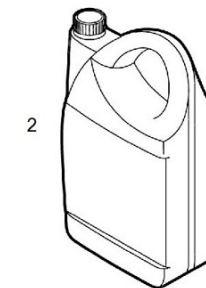
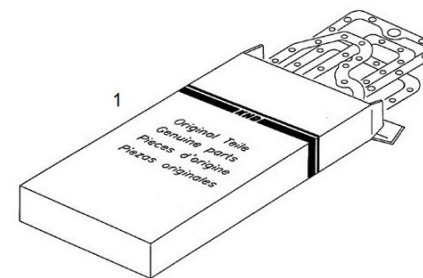
D\_5026\_4 Output Shaft 4/4

Fig.	Ref.	Qty.	Descr.	Obs	From	UpTo
47	24820206	1	Conical Roller Bearing 33210			
4851	24822201AC	1	Gear+Output Shaft Kit+Spacer			
4851	24823201AC	1	Gear+Output Shaft Kit+Spacer			
4851	24824201AC	1	Gear+Output Shaft Kit+Spacer			
52	24820212	1	Conical Roller Bearing 30210-J2/Q			
53	24820224	1	Flange, Output			
54	24820225	1	O-Ring D. 45X3,5			
55	24820219	1	BUTT Washer			
56	24820220	1	Pin			
57	24820221	1	Washer D.16			
58	24820222.1	1	Screw			
140	24820333.1	0	Shim	#		



D\_5027\_5 Maintenance Kit

Fig.	Ref.	Qty.	Descr.	Obs	From	UpTo
1	24820401	1	Kit Gasket		15/06/2016	
1	24820401	1	Kit Gasket		15/06/2016	
2	A0105000	1	15W40 Sole Diesel Oil 5L		15/06/2016	
2	A0105000	1	15W40 Sole Diesel Oil 5L		15/06/2016	
3	24820403	2	Clutch Plate Kit		15/06/2016	
3	24820403	2	Clutch Plate Kit		15/06/2016	



D\_5027\_1.1 Sheet 1.1/4

Fig.	Ref.	Qty.	Descr.	Obs	From	UpTo
1	24820090	2	Pin			
2	24816080	1	Plate Pipe			
3	24810082	2	Screw			
4	24820001	1	Front Body TM 170			
5	24810047	6	Screw			
6	24810014	6	Washer			
7	24820072	1	Cover Input Shaft			
8	24820103	1	Oil Grommet			
9	24810065	1	Plug			
10	24820005.1	1	NAME Plate			
11	24810071	2	Stud			
12	56000083	1	Washer 21-26-1,5			
13	24810012	1	Nut			
14	24810063	1	Plane Washer			
15	24810068	1	Plug			
16	24810008	1	ROD, Oil LEVEL			
17	24820071	2	Stud			
18	24820002	1	Reverse Body TM 170			
19	24810059	2	Plane Washer			
20	24810060	2	Racord			
21	24810062	1	Valve BY PASS			
22	24820086	1	Washer			
23	24830105	1	Plug			
24	24820102	1	Cover, REAR			

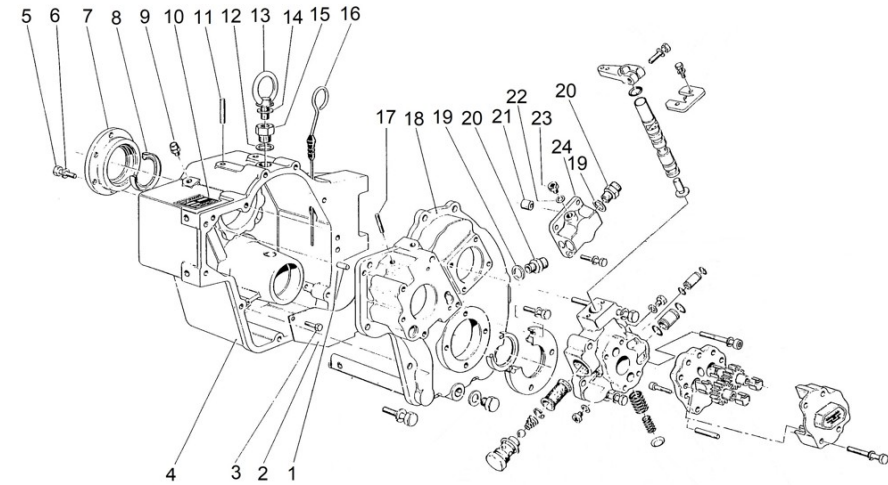
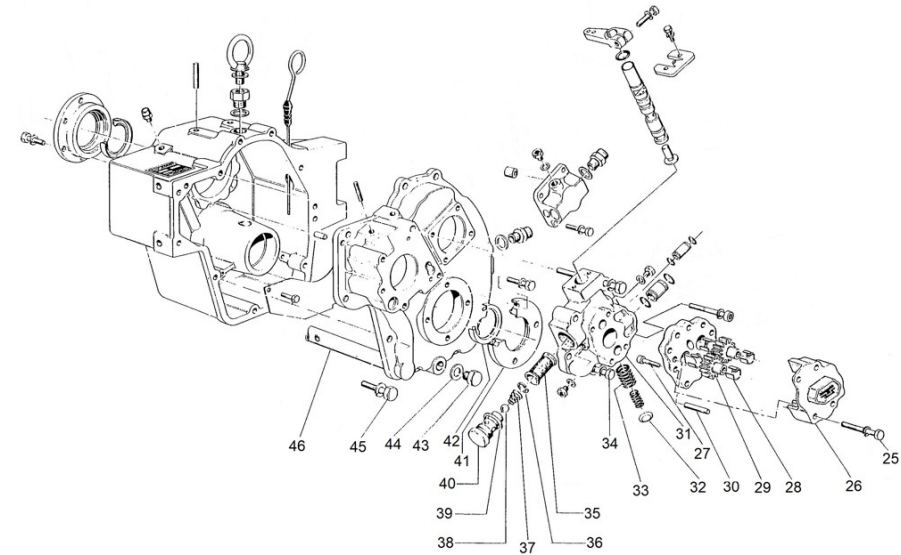


Fig.	Ref.	Qty.	Descr.	Obs	From	UpTo
25	24810013	4	Screw			
25	24810013	4	Screw			
26	24820015.1	1	Oil Pump Body			
26	24820015.1	1	Oil Pump Body			
27	24820025.1	3	Screw			
27	24820025.1	3	Screw			
28	24810025	4	Bushing			
28	24810025	4	Bushing			
29	24810096	1	Gear, Driver			
29	24810096	1	Gear, Driver			
30	24820023.1	2	Pin			
30	24820023.1	2	Pin			
31	24820026	1	Distributor Cap			
31	24820026	1	Distributor Cap			
32	24810055	1	Expansion Plug			
32	24810055	1	Expansion Plug			
33	24816054	1	Spring, Valve			
33	24816054	1	Spring, Valve			
34	24820098	2	Screw M10X50			
34	24820098	2	Screw M10X50			
35	24810035	1	Oil Filter			
35	24810035	1	Oil Filter			
36	24810032	1	SNAP Ring			
36	24810032	1	SNAP Ring			
37	24810030	1	Valve Spring			
37	24810030	1	Valve Spring			
38	18024143	1	Ball,steel 1/2"			
38	18024143	1	Ball,steel 1/2"			
39	24810027	1	Washer			
39	24810027	1	Washer			
40	24810024	1	Plug, Oil Filter DRAIN			



D\_5026\_1.2 Sheet 1.2/4

Fig.	Ref.	Qty.	Descr.	Obs	From	UpTo
41	24820208	1	Cover Front			
42	24820214	1	Grommet			
42	24820214	1	Grommet			
43	24810011	1	Plug,oil drain			
43	24810011	1	Plug,oil drain			
44	24810088	1	Plane Washer			
44	24810088	1	Plane Washer			
45	52101314	1	Bolt DIN 931 M10-55 8.8			
45	52101314	1	Bolt DIN 931 M10-55 8.8			
46	24816081	1	Aspiration Tube TM 880A			
46	24816081	1	Aspiration Tube TM 880A			
NS	52103311	9	Bolt DIN 912 M10-40 8.8			
NS	52103311	9	Bolt DIN 912 M10-40 8.8			

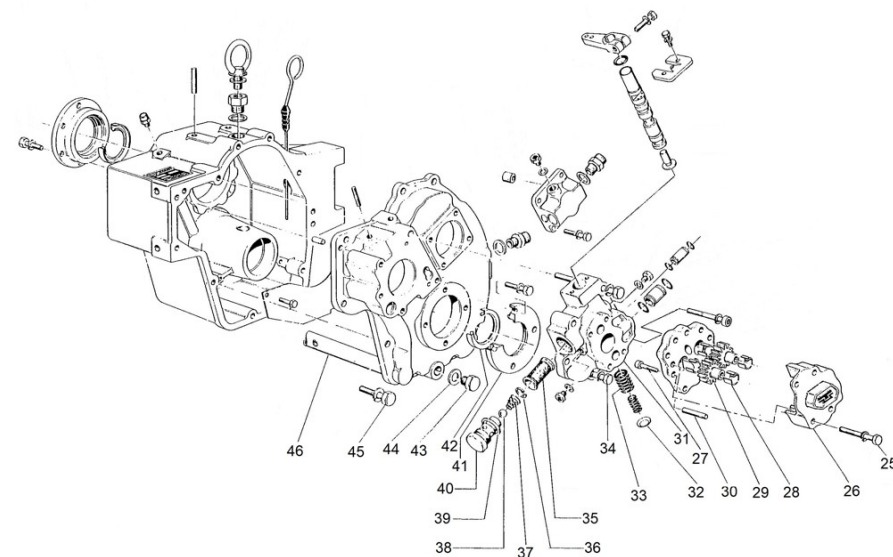
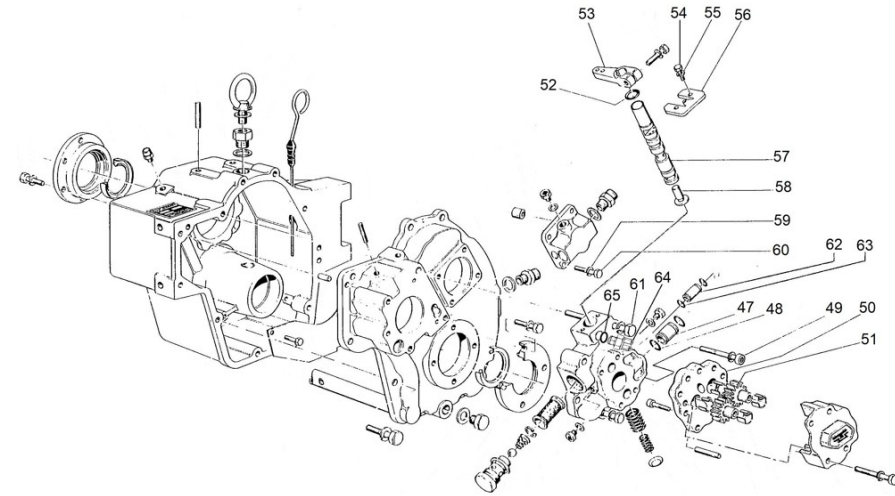
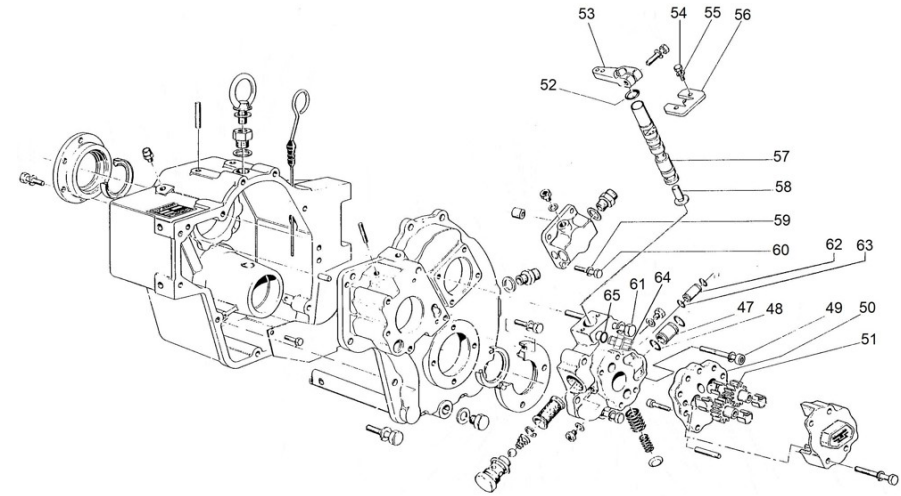


Fig.	Ref.	Qty.	Descr.	Obs	From	UpTo
47	24820062	2	Tube, Racord			
47	24820062	2	Tube, Racord			
48	24820063	2	O-Ring D. 15X1,7			
48	24820063	2	O-Ring D. 15X1,7			
49	24820013	2	Screw M10X30			
49	24820013	2	Screw M10X30			
50	24810026.1	3	Cover			
50	24810026.1	3	Cover			
51	24810095	3	Gear, Driven			
51	24810095	3	Gear, Driven			
52	24810056	1	O-Ring			
52	24810056	1	O-Ring			
53	24810424	1	Lever			
53	24810424	1	Lever			
54	24810044	2	Screw			
54	24810044	2	Screw			
55	24810042	2	Washer			
55	24810042	2	Washer			
56	24810041	1	Support			
56	24810041	1	Support			
57	24810051	1	Distributor			
57	24810051	1	Distributor			
58	24810052	1	Valve			
58	24810052	1	Valve			
59	24820075	4	Washer			
59	24820075	4	Washer			
60	24820076	4	Screw M10X30			
60	24820076	4	Screw M10X30			
61	24820087	1	Screw M10X130			
61	24820087	1	Screw M10X130			
62	24820060	1	Tube, Racord			



D\_5026\_1.3 Sheet 1.3/4

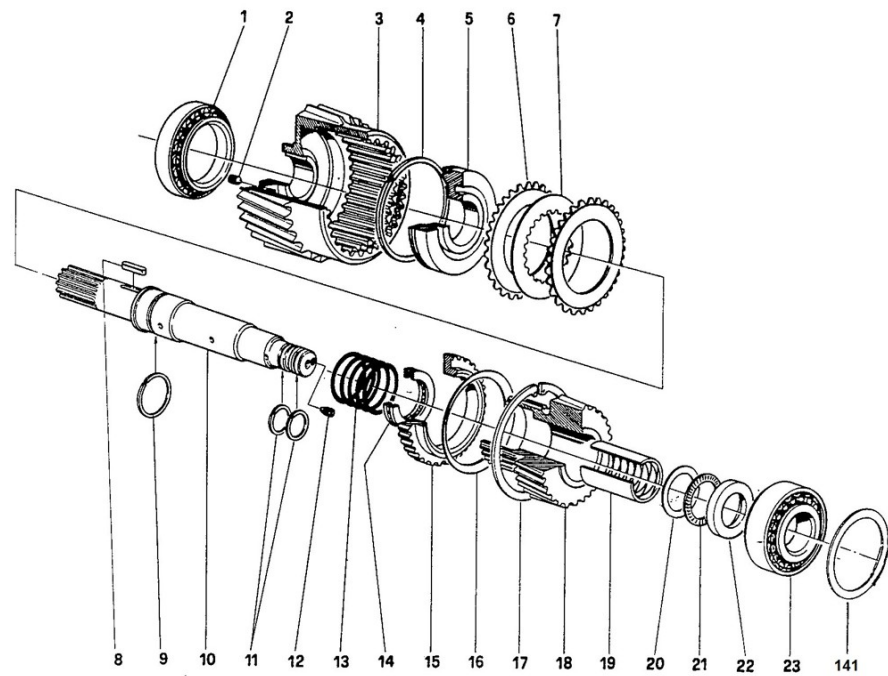
Fig.	Ref.	Qty.	Descr.	Obs	From	UpTo
63	24820059	2	O-Ring D. 10X1,7			
64	24810048	1	GR. Crazy Switch			
64	24810048	1	GR. Crazy Switch			
65	24810533	1	O-Ring D. 14X1,7			
65	24810533	1	O-Ring D. 14X1,7			





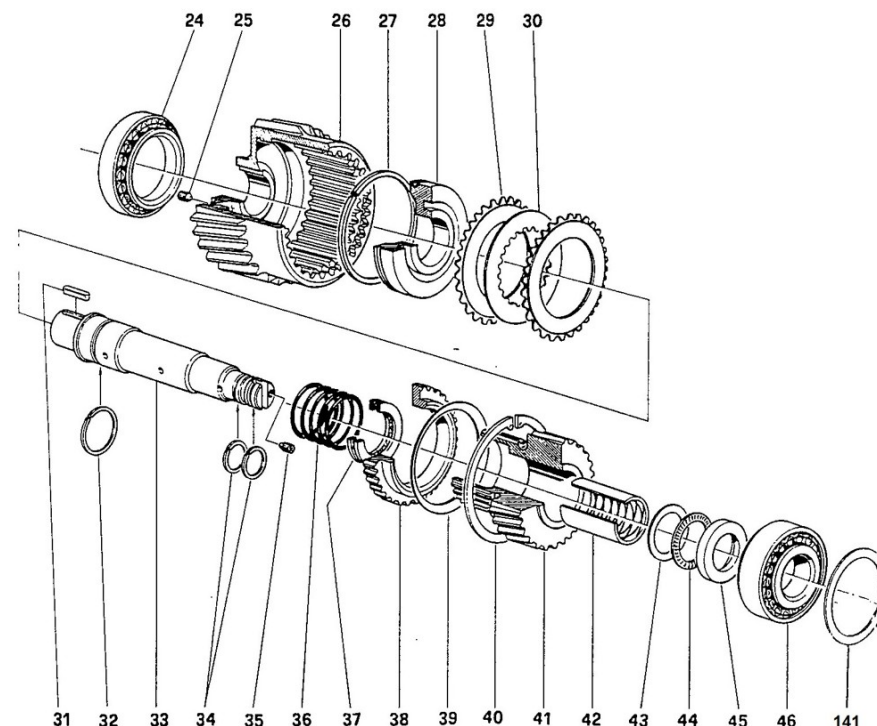
D\_5027\_2 Input Shaft 2/4

Fig.	Ref.	Qty.	Descr.	Obs	From	UpTo
1	24820134	1	Conical Roller Bearing 32011-JR			
2	24810334	1	Plug			
3	24820130	1	Bell			
4	24820125	1	Washer			
5	24820124	1	Piston			
6	24820115	9	Disk			
7	24820116	8	Disk			
8	24810211	1	KEY			
9	24820126	1	Washer			
10	24820101	1	Input Shaft			
11	24810328	2	Washer			
12	24810326	1	Plug			
13	24820122	1	Spring			
14	24820123	1	Bearing			
15	24820113	1	Grommet			
16	24820129	1	Ring			
17	24820128	1	SNAP Ring			
18A	24822302	1	Gear R. 1,50 TM 170			
18B	24823302	1	Gear R. 2,04 TM 170			
18C	24824302	1	Gear R. 2.50 TM 170			
18D	24825302	1	Gear Red. 2,94 TM 170			
19	24820117	1	Bushing			
20	24820118	1	Ring			
21	24820121	1	Roller Bearing AXK-4060			
22	24820105	1	Washer			
23	24820104	1	Conical Roller Bearing 32307			
141	24810333	0	Spacer	#		

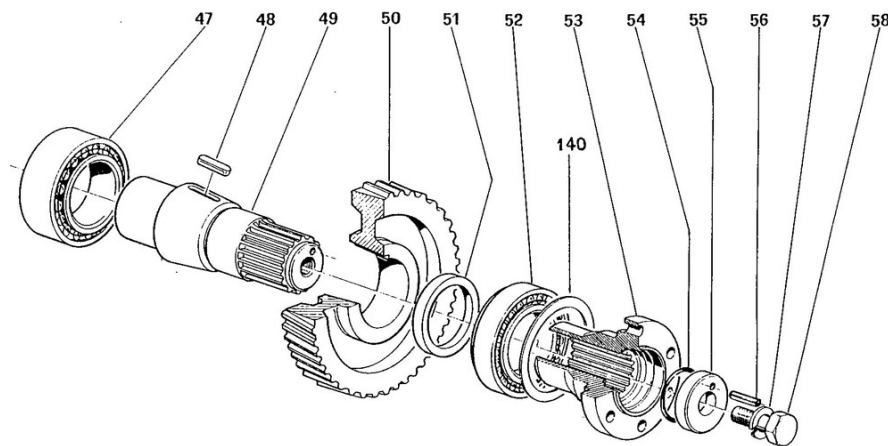


D\_5027\_3 Intermediate Shaft 3/4

Fig.	Ref.	Qty.	Descr.	Obs	From	UpTo
24	24820134	1	Conical Roller Bearing 32011-JR			
25	24810334	1	Plug			
26	24820330	1	Bell			
27	24820125	1	Washer			
28	24820124	1	Piston			
29	24820115	9	Disk			
30	24820116	8	Disk			
31	24810211	1	KEY			
32	24820126	1	Washer			
33	24820301	1	INTERMEDIATE Shaft			
34	24810328	2	Washer			
35	24810326	1	Plug			
36	24820122	1	Spring			
37	24820123	1	Bearing			
38	24820113	1	Grommet			
39	24820129	1	Ring			
40	24820128	1	SNAP Ring			
41A	24822302	1	Gear R. 1,50 TM 170			
41B	24823302	1	Gear R. 2,04 TM 170			
41C	24824302	1	Gear R. 2.50 TM 170			
41D	24825302	1	Gear Red. 2,94 TM 170			
42	24820117	1	Bushing			
43	24820118	1	Ring			
44	24820121	1	Roller Bearing AXK-4060			
45	24820105	1	Washer			
46	24820104	1	Conical Roller Bearing 32307			
141	24810333	0	Spacer	#		

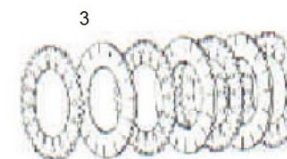
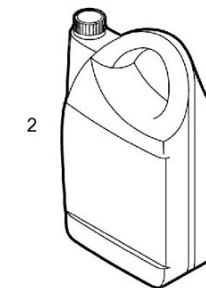
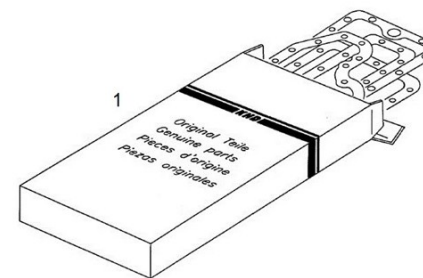


D_5027_4		Output Shaft 4/4				
Fig.	Ref.	Qty.	Descr.	Obs	From	UpTo
47	24820206	1	Conical Roller Bearing 33210			
4950	24822201C	1	Gear+Output Shaft Kit+Spacer			
4950	24823201C	1	Gear+Output Shaft Kit+Spacer			
4950	24824201C	1	Gear+Output Shaft Kit+Spacer			
4950	24825201C	1	Gear+Output Shaft Kit+Spacer			
51	24820209	1	Spacer, Output Shaft			
52	24820212	1	Conical Roller Bearing 30210-J2/Q			
53	24820224	1	Flange, Output			
54	24820225	1	O-Ring D. 45X3,5			
55	24820219	1	BUTT Washer			
56	24820220	1	Pin			
57	24820221	1	Washer D.16			21/09/2018
57	53033016C	1	Washer			22/09/2018
58	24820222.1	1	Screw			
140	24820333.1	0	Shim	#		



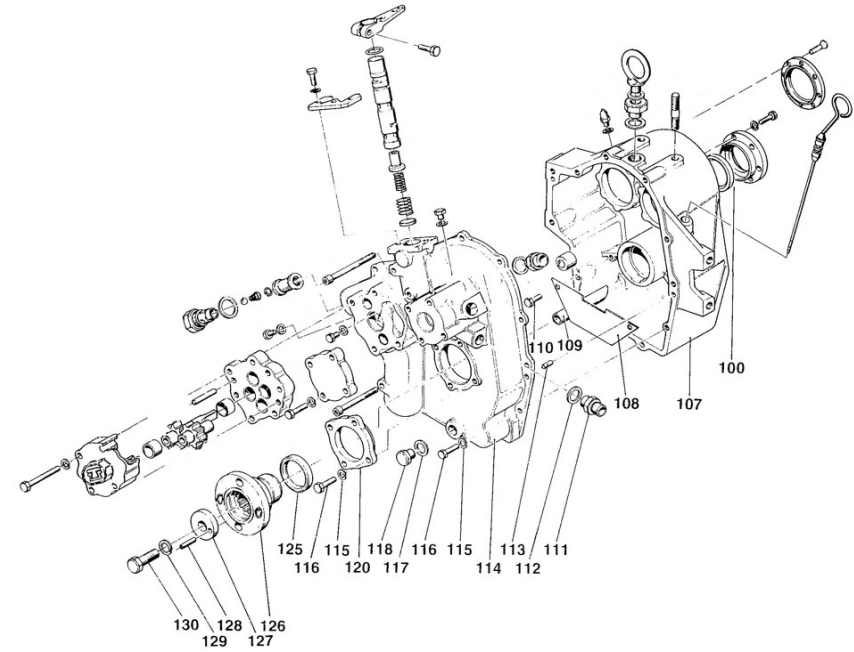
D\_5027\_5 Maintenance Kit

Fig.	Ref.	Qty.	Descr.	Obs	From	UpTo
1	24820401	1	Kit Gasket		15/06/2016	
1	24820401	1	Kit Gasket		15/06/2016	
2	A0105000	1	15W40 Sole Diesel Oil 5L		15/06/2016	
2	A0105000	1	15W40 Sole Diesel Oil 5L		15/06/2016	
3	24820403	2	Clutch Plate Kit		15/06/2016	
3	24820403	2	Clutch Plate Kit		15/06/2016	



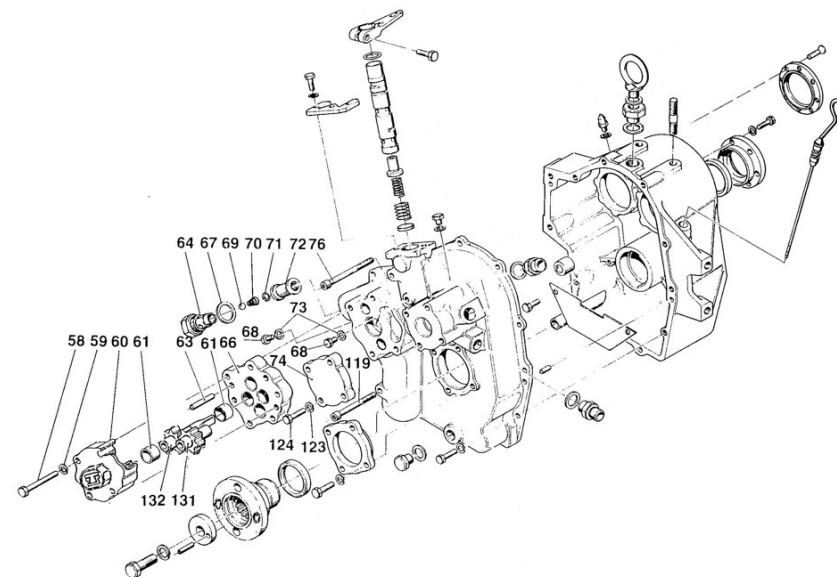
D\_5030\_1.1 Sheet 1.1/4

Fig.	Ref.	Qty.	Descr.	Obs	From	UpTo
100	24810103S	1	Grommet, Oil SILICON			
107	24810001	1	Front Body TM 93			
108	24810080	1	Plate Pipe			
109	24810081	1	ASPIRATION Tube			
110	24810082	2	Screw			
111	24810060	1	Racord			
112	24810059	1	Plane Washer			
113	24810085	2	Pin			
114	24810002	1	Reverse Body TM 93			
115	53033008	13	Washer GROWER DIN 127-8			
116	52102258	13	Bolt DIN 933 M8-25 8.8			
117	24810088	1	Plane Washer			
118	24810011	1	Plug,oil drain			
120	24810090	1	Cover			
125	24810214	1	Oil Grommet			
126	24810224	1	Flange, Output			
127	24810219	1	BUTT Washer			
128	24840220	1	Pin			
129	24810221	1	Washer			
130	24810222	1	Bolt DIN 933 M14X40 12.9			
NS	24810046	1	Pump Assy Oil			
NS	24810098	3	Screw			



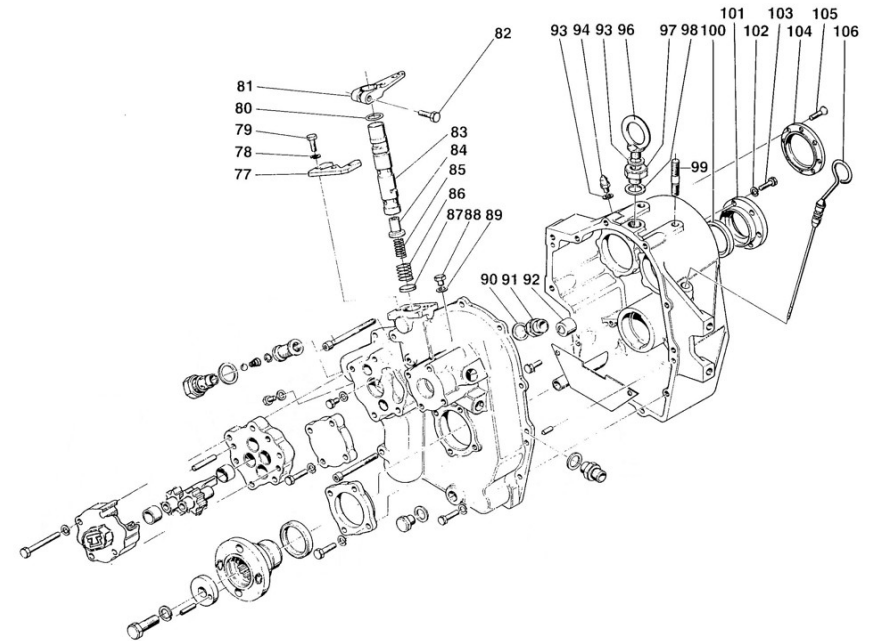
D\_5030\_1.2 Sheet 1.2/4

Fig.	Ref.	Qty.	Descr.	Obs	From	UpTo
58	52101266	4	Bolt DIN 931 M8-65 8.8			
59	24810014	4	Washer			
60	24810004	1	Oil Pump Body Cover			
61	24810025	4	Bushing			
63	24820023.1	2	Pin			
64	24810024	1	Plug, Oil Filter DRAIN			
66	24810003	1	Oil Pump Body, Engine Side			
67	24810027	1	Washer			
68	24810028	2	Screw			
69	18024143	1	Ball,steel 1/2"			
70	24810030	1	Valve Spring			
71	24810032	1	SNAP Ring			
72	24810035	1	Oil Filter			
73	24810036	2	Washer			
74	24810038	1	Cover			
76	24810040	1	Screw			
119	24810089	1	Screw			
123	53033008	4	Washer GROWER DIN 127-8			
124	52102258	4	Bolt DIN 933 M8-25 8.8			
131	24810095	1	Gear, Driven			
132	24810096	1	Gear, Driver			
NS	52103158	3	Bolt DIN 912 M6-25 8.8			



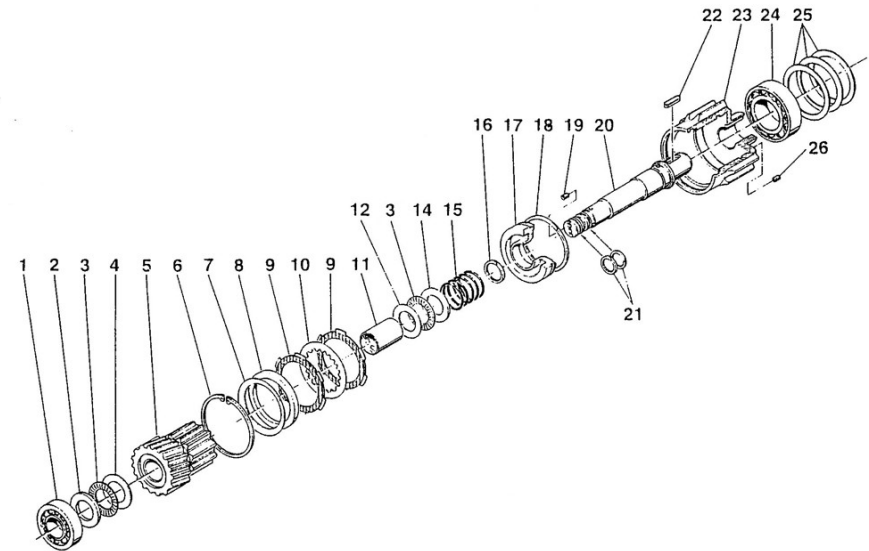
D\_5030\_1.3 Sheet 1.3/4

Fig.	Ref.	Qty.	Descr.	Obs	From	UpTo
77	24810041	1	Support			
78	24810042	2	Washer			
79	24810044	2	Screw			
80	24810056	1	O-Ring			
81	24810424	1	Lever			
82	24810047	1	Screw			
83	24810051	1	Distributor			
84	24810052	1	Valve			
85	24810053	1	Spring, Valve INNER			
86	24810054	1	Spring, Valve			
87	24810055	1	Expansion Plug			
88	24810028	1	Screw			
89	24810036	1	Washer			
90	24810059	1	Plane Washer			
91	24810060	1	Racord			
92	24810062	1	Valve BY PASS			
93	24810063	2	Plane Washer			
94	24810065	1	Plug			
96	24810012	1	Nut			
97	24810068	1	Plug			
98	56000083	1	Washer 21-26-1,5			
99	24810071	2	Stud			
100	24810103S	1	Grommet, Oil SILICON			
101	24810072	1	Cover			
102	53033008	6	Washer GROWER DIN 127-8			
103	52102258	6	Bolt DIN 933 M8-25 8.8			
104	24810075	1	Cover			
105	24810076	8	Screw			
106	24830008	1	ROD, LEVEL Oil			



D\_5030\_2 Intermediate Shaft 2/4

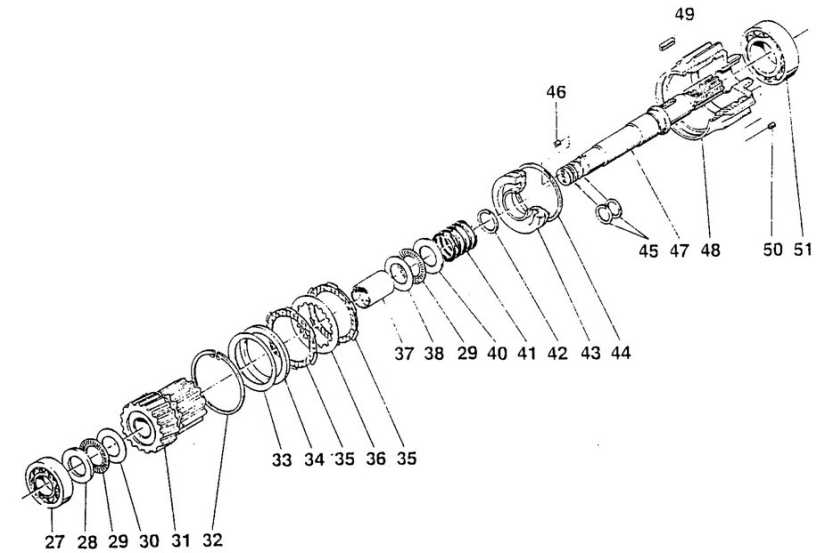
Fig.	Ref.	Qty.	Descr.	Obs	From	UpTo
1	24870207	1	Bearing			
2	24810307	1	Washer			
3	24810309	2	Roller			
4	24810310	1	Ring			
5A	24812302	1	Gear R. 1,5 TM 93			
5B	24813302	1	Gear R. 2 TM 93			
5C	24814302	1	Gear R. 2,4 TM 93			
5D	24815302	1	Gear R. 2,8 TM 93			
6	24810312	1	SNAP Ring			
7	24810313	1	Ring			
8	24810314	1	Grommet			
9	24810315	10	Disk			
10	24810316	9	Disk			
11	24810317	1	BushING			
12	24870118	1	THRUST RACE			
14	24870318	1	THRUST RACE			
15	24810322	1	Spring			
16	24810323	1	Washer			
17	24810324	1	Piston			
18	24810325	1	Washer			
19	24810326	1	Plug			
20	24810301	1	INTERMEDIATE Shaft			
21	24810328	2	Washer			
22	24810329	1	KEY			
23	24810330	1	Bell			
24	24870206	1	Bearing			
25	24810333	0	Spacer	#		
26	24810334	1	Plug			





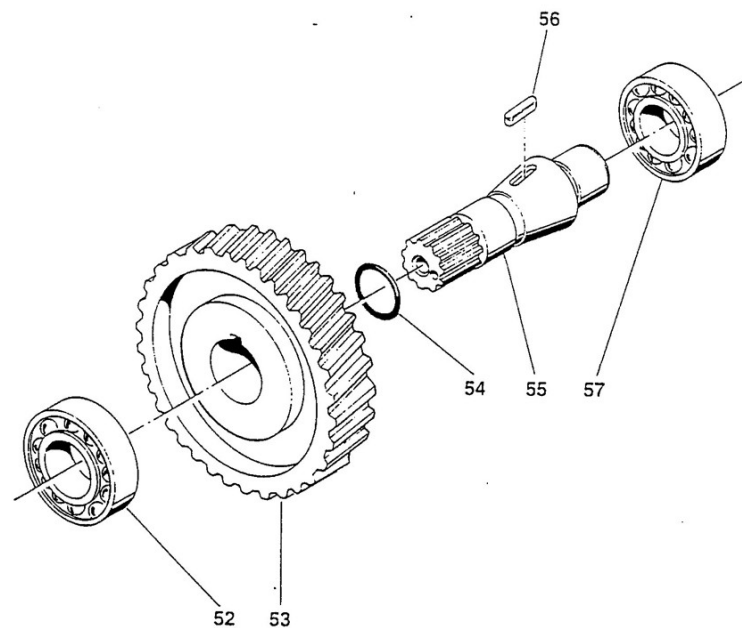
D\_5030\_3 Input Shaft 3/4

Fig.	Ref.	Qty.	Descr.	Obs	From	UpTo
27	24870207	1	Bearing			
28	24810307	1	Washer			
29	24810309	2	Roller			
30	(*)	1	Not available			
31A	24812302	1	Gear R. 1,5 TM 93			
31B	24813302	1	Gear R. 2 TM 93			
31C	24814302	1	Gear R. 2,4 TM 93			
31D	24815302	1	Gear R. 2,8 TM 93			
32	24810312	1	SNAP Ring			
33	24810313	1	Ring			
34	24810314	1	Grommet			
35	24810315	10	Disk			
36	24810316	9	Disk			
37	24810317	1	BushING			
38	24870118	1	THRUST RACE			
40	24870318	1	THRUST RACE			
41	24810322	1	Spring			
42	24810323	1	Washer			
43	24810324	1	Piston			
44	24810325	1	Washer			
45	24810328	2	Washer			
46	24810326	1	Plug			
47	24810101	1	Input Shaft			
48	24810330	1	Bell			
49	24810329	1	KEY			
50	24810334	1	Plug			
51	24870206	1	Bearing			



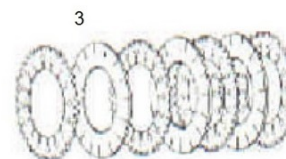
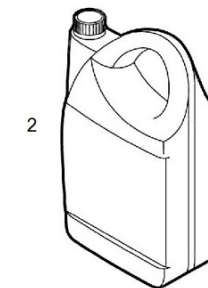
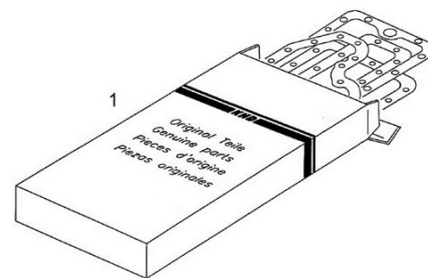
D\_5030\_4 Output Shaft 4/4

Fig.	Ref.	Qty.	Descr.	Obs	From	UpTo
52	24810206	1	Conical Roller Bearing 32208			
5355	24812201C	1	Gear+Output Shaft Kit R 1.51			
5355	24813201C	1	Gear+Output Shaft Kit R 2.09			
5355	24814201C	1	Gear+Output Shaft Kit R 2.40			
5355	24815201C	1	Gear+Output Shaft Kit R 2.77			
54	24810209	1	O-Ring D. 38X3,5			
57	24810212	1	Bearing			



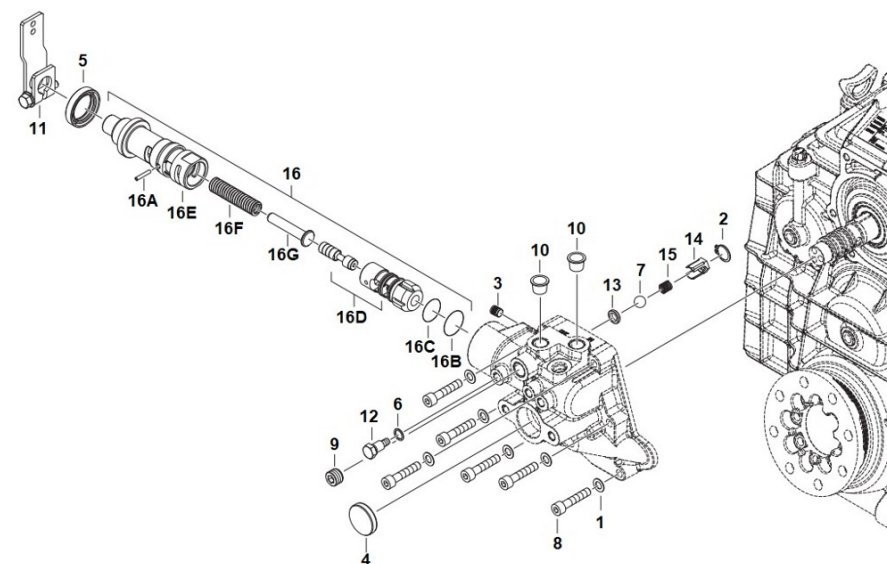
D\_5030\_5 Maintenance Kit

Fig.	Ref.	Qty.	Descr.	Obs	From	UpTo
1	24810401	1	Kit Gasket			
2	A0105000	1	15W40 Sole Diesel Oil 5L			
3	24810403	2	Clutch Plate Kit			



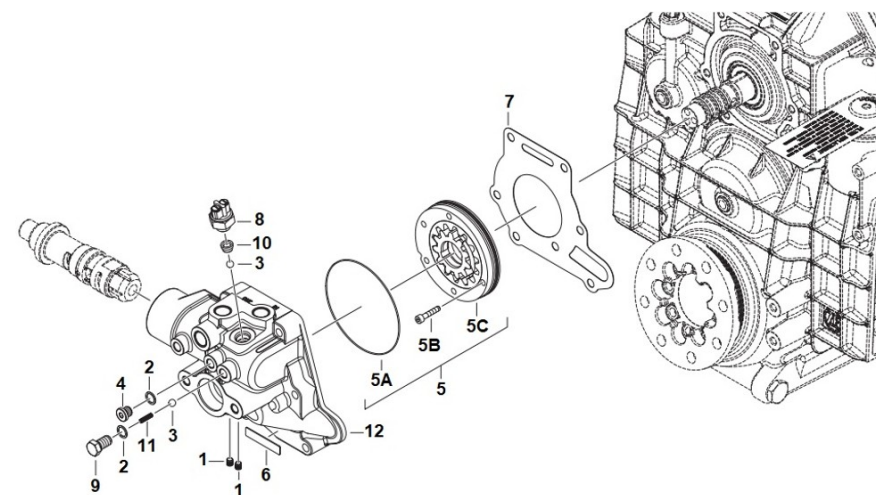
D\_ZF68\_1 Sheet 1/5

Fig.	Ref.	Qty.	Descr.	Obs	From	UpTo
1	Z0630100251	7	Spring Washer			
2	Z0630502005	1	Circlip			
3	Z0631405003	1	Plug			
4	Z0631405061	1	Plug			
5	Z0634309621	1	Shaft Seal			
6	Z0634801152	3	Sealing Ring			
7	Z0635460023	1	Ball			
8	Z0636115291	6	Cap Screw			
9	Z0636309007	1	Drain Plug			
10	Z0637510251	2	Plug			
11	Z3312208032	1	Lever			
12	Z3312308195	1	Locking Screw			
13	Z3312308036	1	Spacer			
14	Z3312308038	1	Bush			
15	Z3312308042	1	Compression Spring			
16	Z3312108021	1	Control Unit			
16A	Z0631313002	1	Cylindrical Pin			
16B	Z0634303233	1	O-Ring			
16C	Z0634304539	1	O-Ring			
16D	Z3312208009	1	Valve Part			
16E	Z3312308033	1	Valve Body			
16F	Z3312308040	1	Compression Spring			
16G	Z3312308043	1	Guide Pin			



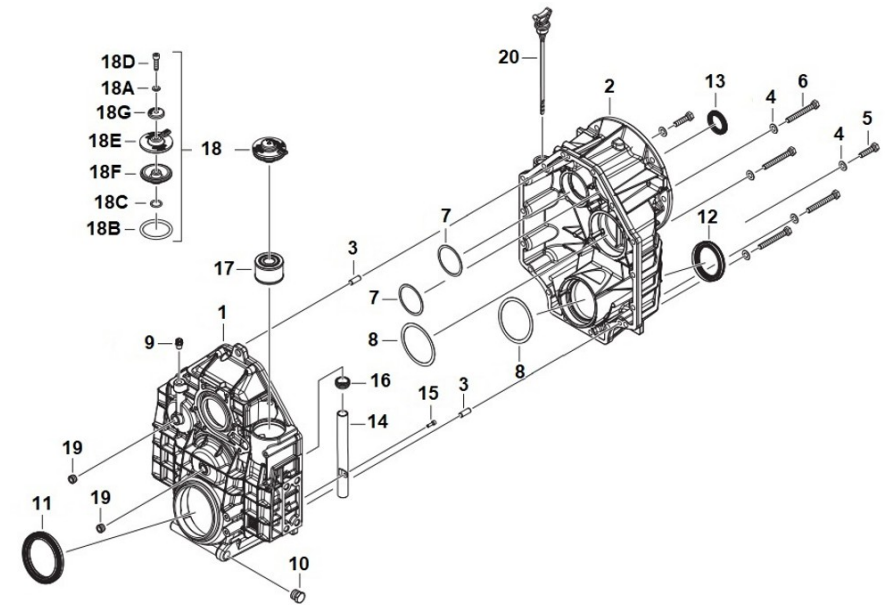
D\_ZF68\_2 Sheet 2/5

Fig.	Ref.	Qty.	Descr.	Obs	From	UpTo
1	Z0631100217	2	Plug			
2	Z0634801152	3	Sealing Ring			
3	Z0635460014	2	Ball			
4	Z0636100793	1	Screw Plug			
5	Z3312106002	1	Pump Drive			
5A	Z0634303373	1	O-Ring			
5B	Z0636102006	5	Cap Screw			
5C	Z3312206101	1	Gear Pump			
6	Z3312308202	1	Plate			
7	Z3312308020	1	Gasket			
8	Z3312308029	1	Cut-Out Switch			
9	Z3312308037	1	Threaded Bush			
10	Z3312308039	1	Beilegring			
11	Z3312308047	1	Compression Spring			
12	Z3312308188	1	Distributor Piece			



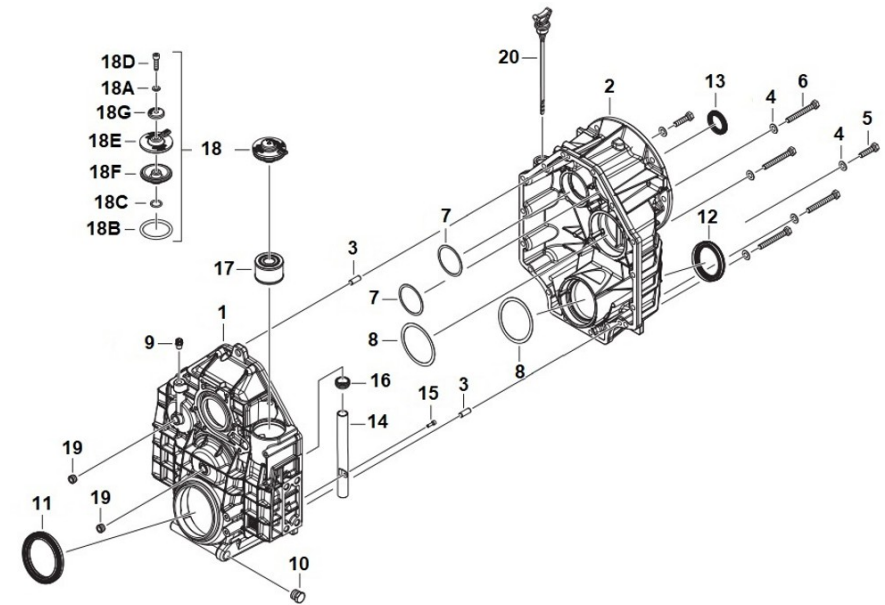
D\_ZF68\_3 Sheet 3/5

Fig.	Ref.	Qty.	Descr.	Obs	From	UpTo
1	Z3312301100	1	Housing			
2	Z3312201004	1	Housing Cover			
3	Z0631315520	2	Cylindrical Pin			
4	Z0630100241	16	Spring Washer			
5	Z0636015683	12	Hexagon Screw			
6	Z0636100347	4	Hexagon Screw			
7A	Z3312302023	0	Shim 62.2X71.7X0.1	#		
7B	Z3312302024	0	Shim 62.2X71.7X0.15	#		
7C	Z3312302025	0	Shim 62.2X71.7X0.2	#		
7D	Z3312302026	0	Shim 62.2X71.7X0.5	#		
8A	Z3312304022	0	Shim 0.1	#		
8B	Z3312304023	0	Shim 0.15	#		
8C	Z3312304024	0	Shim 0.3	#		
8D	Z3207303013	0	Shim H=0.50	#		
9	Z0501396898	1	Breather			
10	Z3312301017	1	Drain Plug			
11	Z0501399222	1	Shaft Seal			
12	Z0501399223	1	Shaft Seal			
13	Z0501399224	1	Shaft Seal			
14	Z3312301034	1	Tube			
15	Z0636101439	1	Cap Screw			
16	Z3312301008	1	Profiled Seal Ring			
17	Z3312301007	1	Oil Filter			
18	Z3312101003	1	Cover			
18A	Z0630100295	1	Washer			
18B	Z0634304688	1	O-Ring			
18C	Z0634306204	1	O-Ring			
18D	Z0636100790	1	Cap Screw			
18E	Z3312301009	1	Filter Cover			
18F	Z3312301010	1	Filter Cover			
18G	Z3312301014	1	Filter Cover			



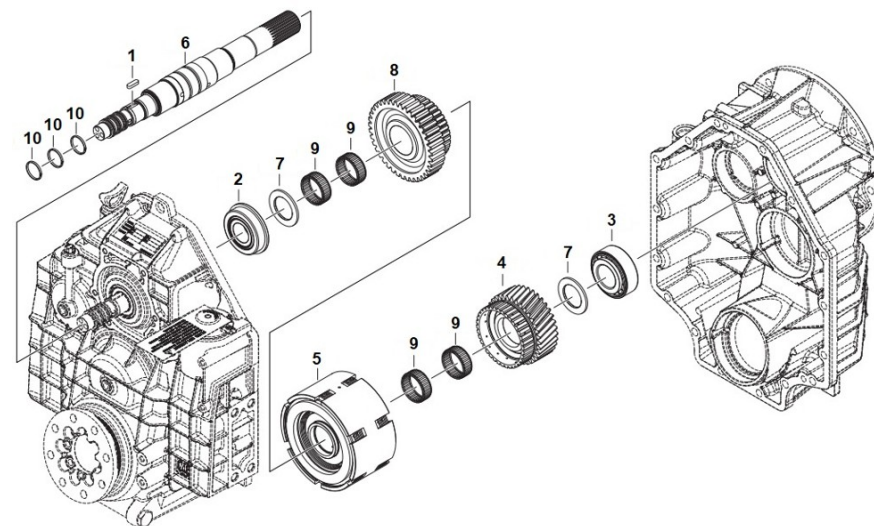
D\_ZF68\_3 Sheet 3/5

Fig.	Ref.	Qty.	Descr.	Obs	From	UpTo
19	Z0636100473	1	Screw Plug			
20	Z3312201003	1	Oil Dipstick			



D\_ZF68\_4 Sheet 4/5

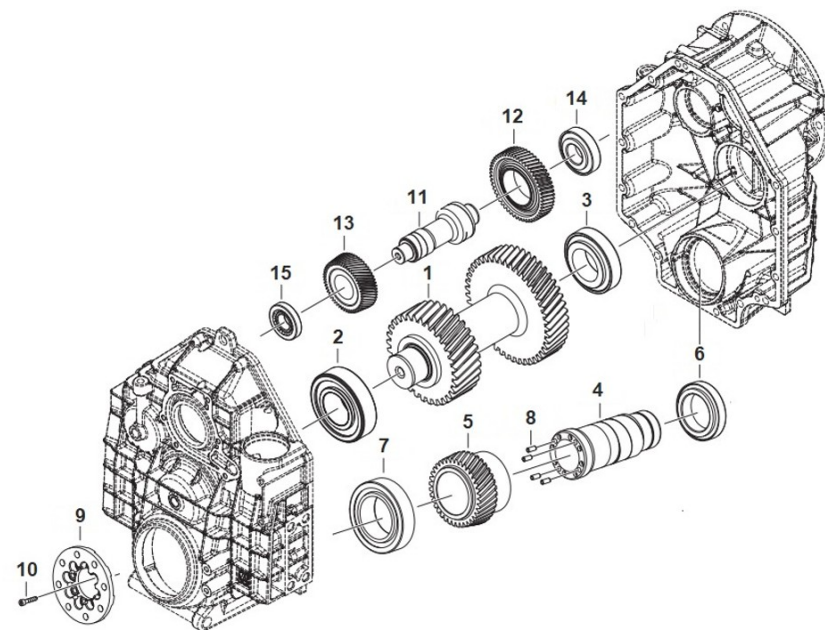
Fig.	Ref.	Qty.	Descr.	Obs	From	UpTo
1	Z0631501062	1	Fitted Key			
2	Z0635501937	1	Ta.Roller Bearing			
3	Z0635501940	1	Ta.Roller Bearing			
4	Z3312302103	1	Gear			
5	Z3312202102	1	Clutch Cylinder			
6	Z3312302001	1	Input Shaft			
7	Z3312302004	2	Thrust Washer			
8	Z3312302104	1	Gear			
9	Z3312302040	4	Needle Cage			
10	Z3312302042	3	Sealing Ring			





D\_ZF68\_5 Sheet 5/5

Fig.	Ref.	Qty.	Descr.	Obs	From	UpTo
1A	Z3312303105	1	Intermediate Shaft Z/Z=45/32 R:1.56			
1B	Z3312303107	1	Intermediate Shaft Z=36 R:1.29			
1BC	Z3312303106	1	Gear Z=45 R:1.29 / 1.99 / 2.48			
1C	Z3312303109	1	Intermediate Shaft Z=27 R:1.99 / 2.48			
2	Z0635501941	1	Ta.Roller Bearing			
3	Z0735302485	1	Tapered Roller Bearing			
4	Z3312304014	1	Quill Shaft			
5A	Z3312304101	1	Gear Z=34 R:1.29 / 1.56 / 1.99			
5B	Z3312304100	1	Gear Z=41 R:2.48			
6	Z0635370020	1	Ta.Roller Bearing			
7	Z0635376005	1	Ta.Roller Bearing			
8	Z0631313008	4	Cylindrical Pin			
9	Z3312304105	1	Output Flange			
10	Z0636102823	8	Cap Screw			
11	Z3312303016	1	Interm.Shaft			
12A	Z3312303103	1	Gear Z=53 R:1.56			
12B	Z3312303101	1	Gear Z=49 R:1.29			
12C	Z3312303102	1	Gear Z=58 R:1.99 / 2.48			
13A	Z3312303110	1	Gear Z=33 R:1.29 / 1.56 / 1.99			
13C	Z3312303100	1	Gear Z=32 R:2.48			
14	Z0635100087	1	Ta.Roller Bearing			
15	Z0635376012	1	Tapered Roller Bearing			



D\_5020\_1 Housing 1/4

Fig.	Ref.	Qty.	Descr.	Obs	From	UpTo
1	24830002	1	REVERSE Body			
2	24820076	26	Screw M10X30			
3	24830517	3	Washer			
4	24830008	1	ROD, LEVEL Oil			
5	24830012	1	Cover, Upper			
6	24840040	12	Screw			
7	24830013	1	Plug			
8	24830015	1	Gasket			
9	24830016	1	Washer			
10	24830017	1	Plug			
11	24830018	2	Plug			
12	24830019	3	Washer			
13	24830028	1	Ball			
14	24810032	1	SNAP Ring			
15	24810030	1	Valve Spring			
16	24830106	2	Screw			
17	24830109	1	O-Ring D. 18X1,8			
NS	24820090	2	Pin			
NS	24830031	1	Plug			
NS	24830035	2	Washer			

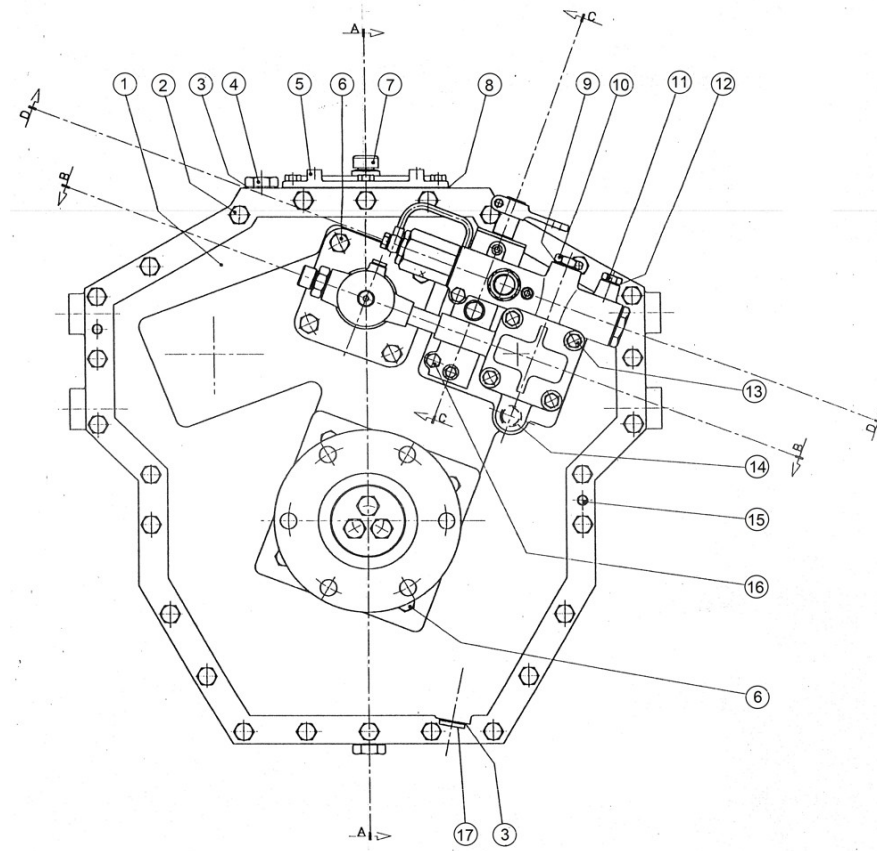
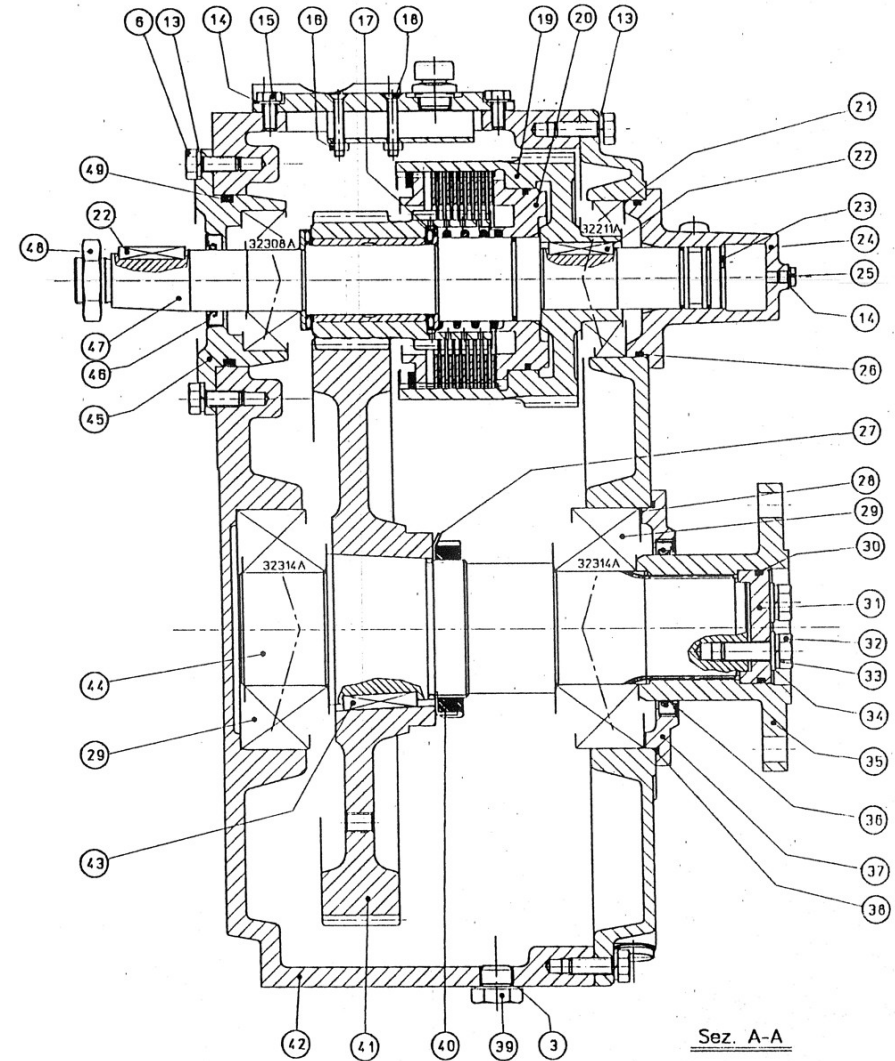


Fig.	Ref.	Qty.	Descr.	Obs	From	UpTo
6	24840040	12	Screw			
13	24820075	6	Washer			
14	24820086	7	Washer			
15	24830020	5	Screw			
16	24830021	2	Nut			
17	24830022	2	Washer			
18	24830091	2	Screw			
19	24830130	1	Bell			
20	24830124	2	Piston			
21	24830108	2	Shim Adjusting			
22	24830131	2	KEY			
23	24840127	2	Plug			
24	24830102	1	Cover			
25	24830105	1	Plug			
26	24830112	1	O-Ring D. 95X3,5			
27	24830213	1	Washer			
28	24830212	1	Spacer			
29	24830206	2	Conical Roller Bearing 32314			
30	24830225	1	O-Ring D. 65X3,5			
31	24830219	1	BUTT Washer			
32	24830222	3	Screw			
33	24840010.3	2	Washer 12			
34	24830223	2	Washer			
35	24830224	1	Flange, Output			
36	24830214	1	Seal			
37	24830208	1	Cover, Output Shaft			
38	24830228	1	O-Ring D. 150X2,6			
39	24830011	1	Plug			
40	24830226	1	Nut			
41A	24836210	1	Gear R. 3,60 TM 200			
41B	24837210	1	Gear R. 4,48 TM 200			



D\_5020\_2 Sheet 2/4

Fig.	Ref.	Qty.	Descr.	Obs	From	UpTo
42	24830001	1	FRONT BODY			
43	24830211	1	KEY			
44	24830201	1	Output Shaft			
45	24830107	1	Cover			
46	24830103	1	Seal			
47	24830101	1	Input Shaft			
48	24830132	1	Nut			
49	24830133	1	O-Ring D. 105X5,3			

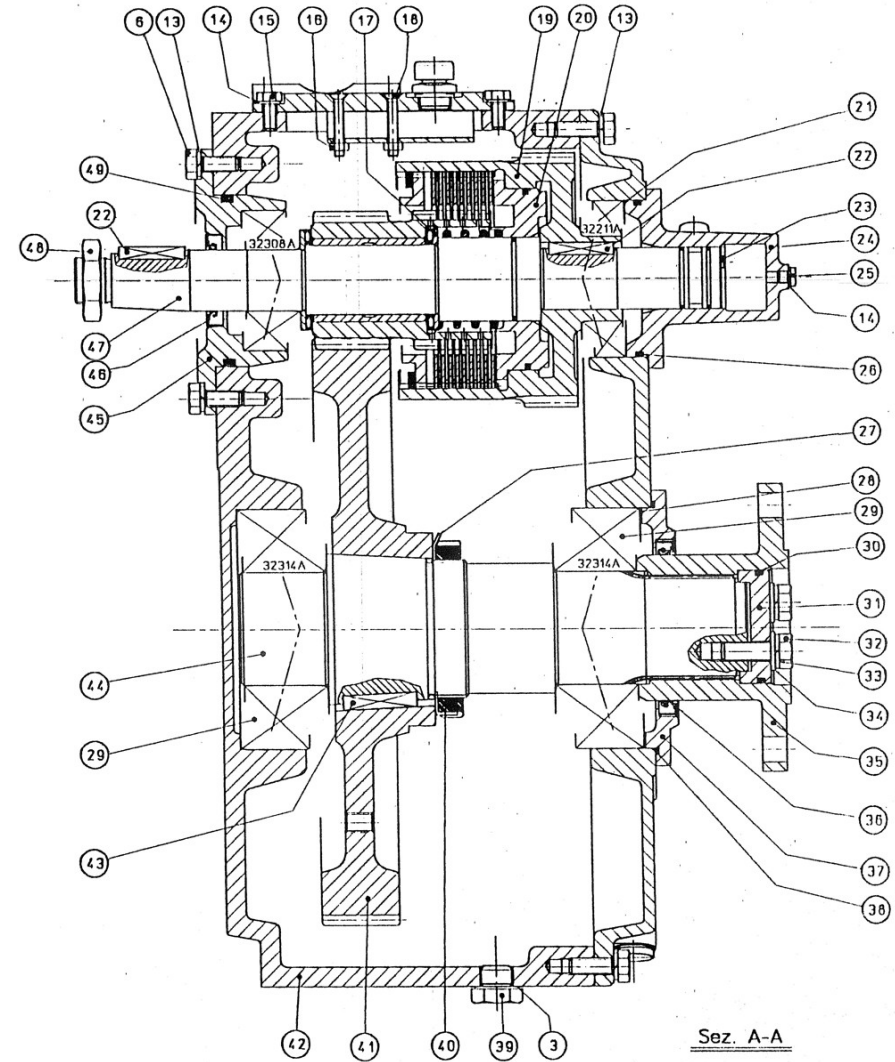
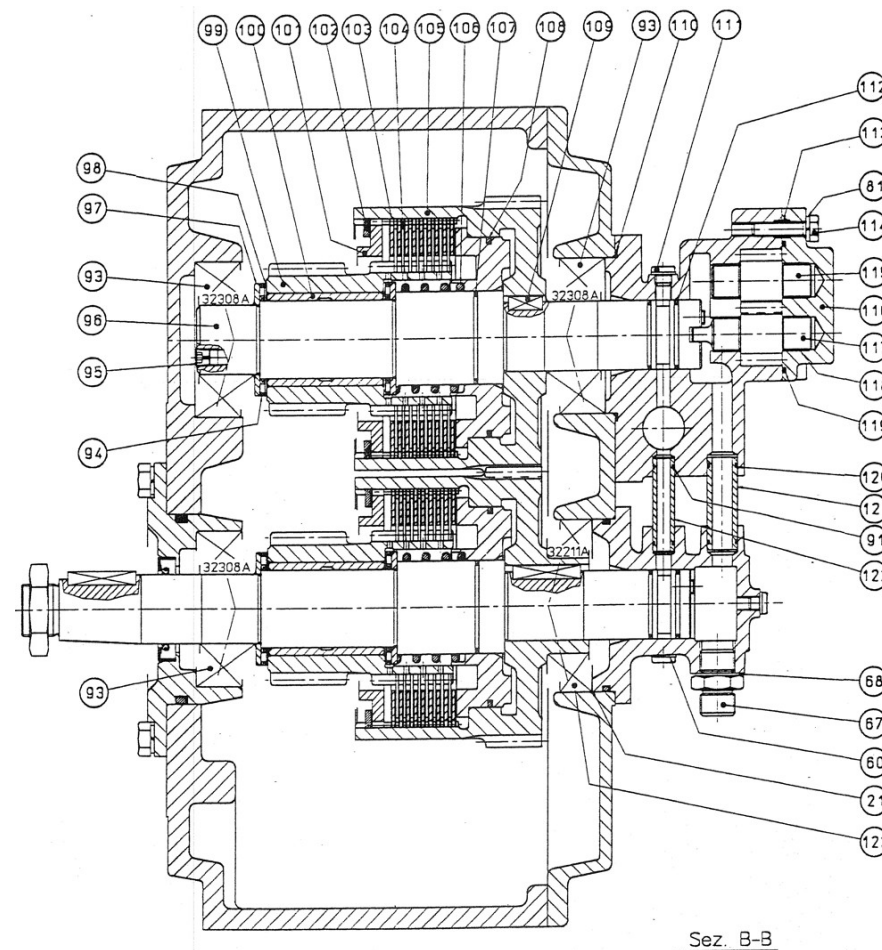


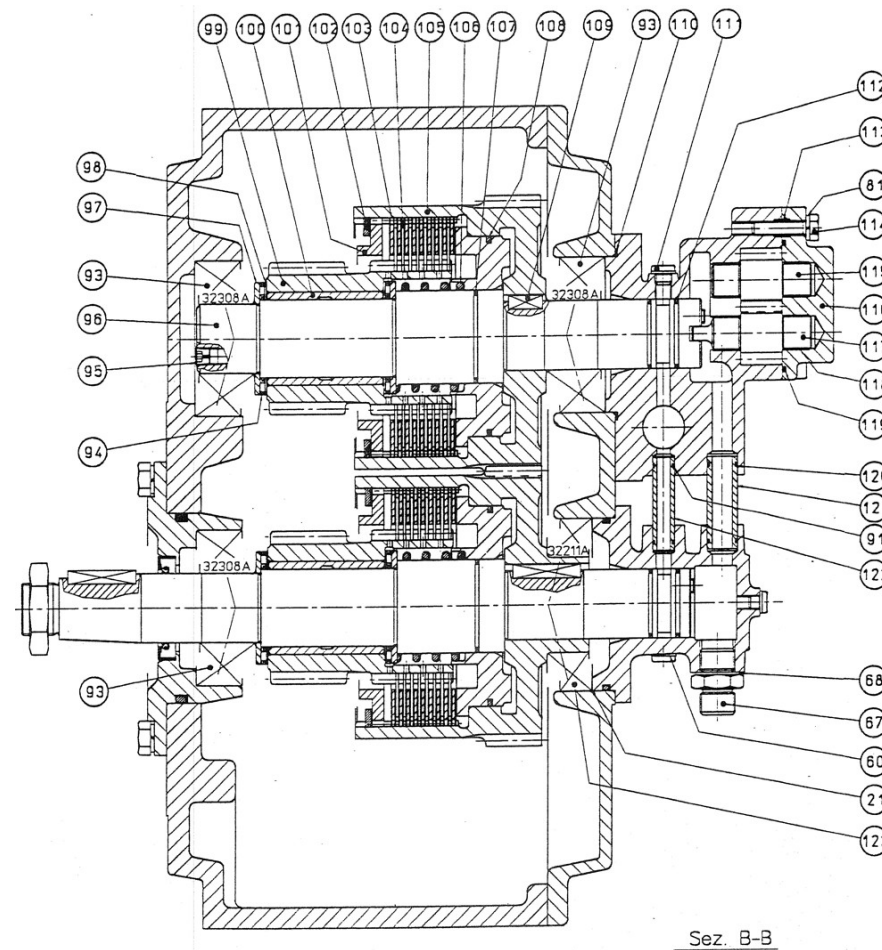
Fig.	Ref.	Qty.	Descr.	Obs	From	UpTo
21	24846108	2	Spacer			
60	24810063	6	Plane Washer			
67	24810060	2	Racord			
68	24810059	2	Plane Washer			
81	24810014	6	Washer			
91	24820059	6	O-Ring D. 10X1,7			
93	24830104	3	Conical Roller Bearing 32308			
94	24830110	4	Roller Bearing AXK-4565			
95	24830111	1	Plug			
96	24830301	1	INTERMEDIATE Shaft			
97	24830307	2	Ring			
98	24830310	4	Ring			
99A	24836302	2	Gear R. 3,60 TM 200			
99B	24837302	2	Gear R. 4,48 TM 200			
100	24830317	2	Bushing			
101	24830309	2	Bushing			
102	24830312	2	SNAP Ring			
103	24840115	18	Conduct DISK			
104	24840116	16	ConductOR Disk			
105	24830330	1	Bell			
106	24840322	2	Spring			
107	24840126	2	Washer			
108	24830323	2	Washer			
109	24830329	1	KEY			
110	24830322	1	O-Ring D. 95X1,8			
111	24840039	2	Plug			
112	24810323	4	Washer			
113	24830026	1	Bushing			
114	24830025	2	Screw			
115	24830095	1	Gear ConductOR			
116	24830094	1	Pump Cover			



Sez. B-B

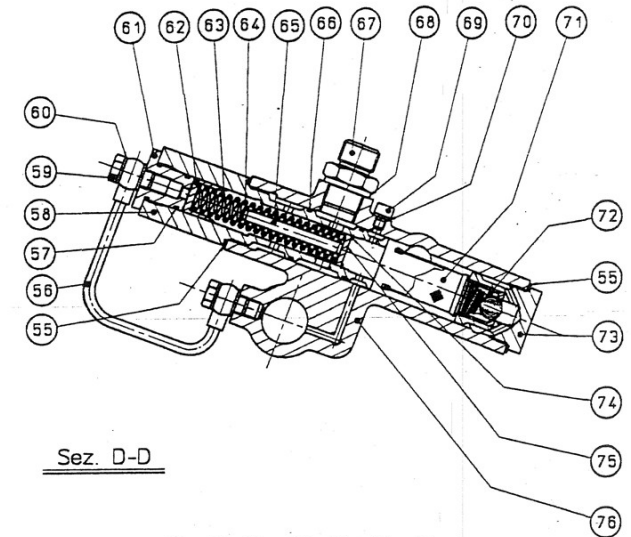


Fig.	Ref.	Qty.	Descr.	Obs	From	UpTo
117	24830096	1	Gear, Conduct			
118	24830027	4	Bushing			
119	24830063	1	O-Ring D. 75X2,6			
120	24820063	2	O-Ring D. 15X1,7			
121	24830062	1	Tube, Racord			
122	24830060	1	Tube, Racord			
123	24830068	3	Plug			
123	24830070	1	Conical Roller Bearing 32211-A			

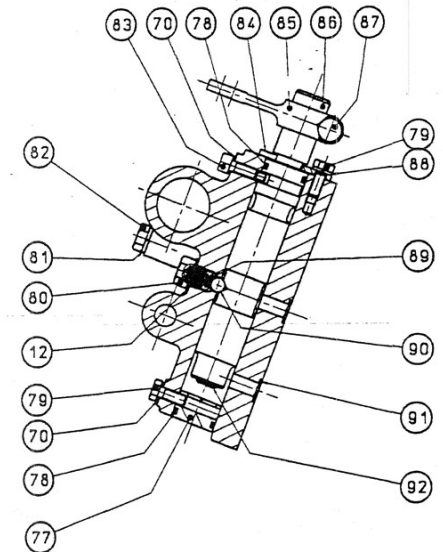


D\_5020\_4 Sheet 4/4

Fig.	Ref.	Qty.	Descr.	Obs	From	UpTo
12	24830019	3	Washer			
55	24830113	1	Screw			
56	24830034	1	Tube, Racord			
57	24830036	1	O-Ring D. 16X1,8			
58	24830033	1	Valve Body			
59	24830083	2	Plug			
60	24810063	6	Plane Washer			
61	24830038	1	Plug			
62	24830052	1	Valve			
63	24830053	1	Spring, INNER Valve			
64	24830054	1	Spring, Valve			
65	24830055	1	INNER Screw			
66	24830045	2	O-Ring D. 28X1,8			
67	24810060	2	Racord			
68	24810059	2	Plane Washer			
69	24810028	1	Screw			
70	24810036	3	Washer			
71	24810035	1	Oil Filter			
72	24810062	1	Valve BY PASS			
73	24830056	1	Valve Plug			
74	24830032	1	SNAP Ring			
75	24830057	1	Valve			
76	24830051	1	DISTRIBUTOR Body			
77	24830039	1	Plug			
78	24830059	2	O-Ring D. 22X2,6			
79	24810044	3	Screw			
80	24830064	1	Screw			
81	24810014	2	Washer			
82	24810040	1	Screw			
83	24830040	1	Screw			
84	24830041	1	Bracket			



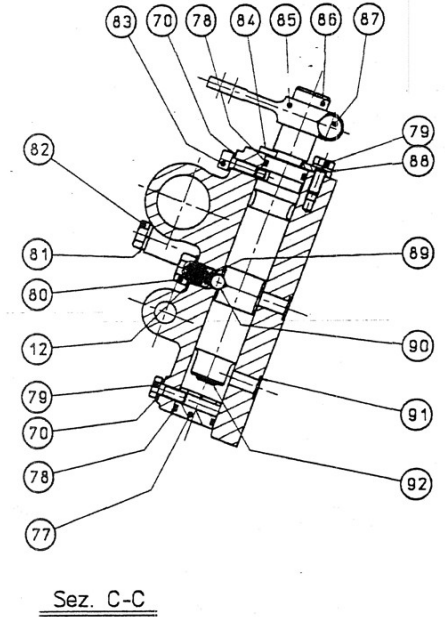
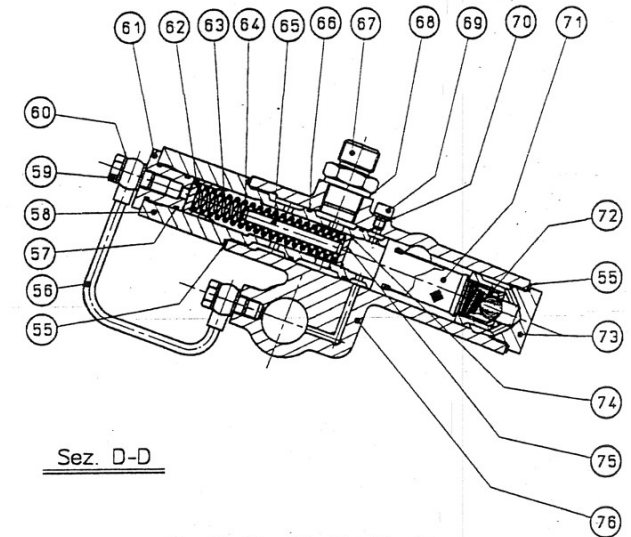
Sez. D-D



Sez. C-C

D\_5020\_4 Sheet 4/4

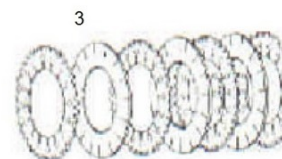
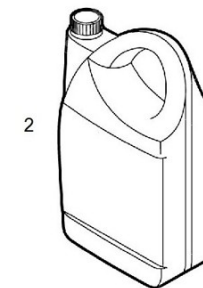
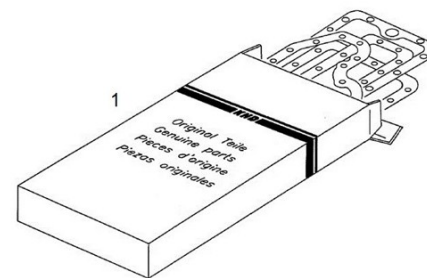
Fig.	Ref.	Qty.	Descr.	Obs	From	UpTo
85	24810424	1	Lever			
86	24830050	1	Distributor			
87	24810047	1	Screw			
88	24810042	1	Washer			
89	24830030	1	Spring			
90	24830029	1	Ball			
91	24820059	4	O-Ring D. 10X1,7			





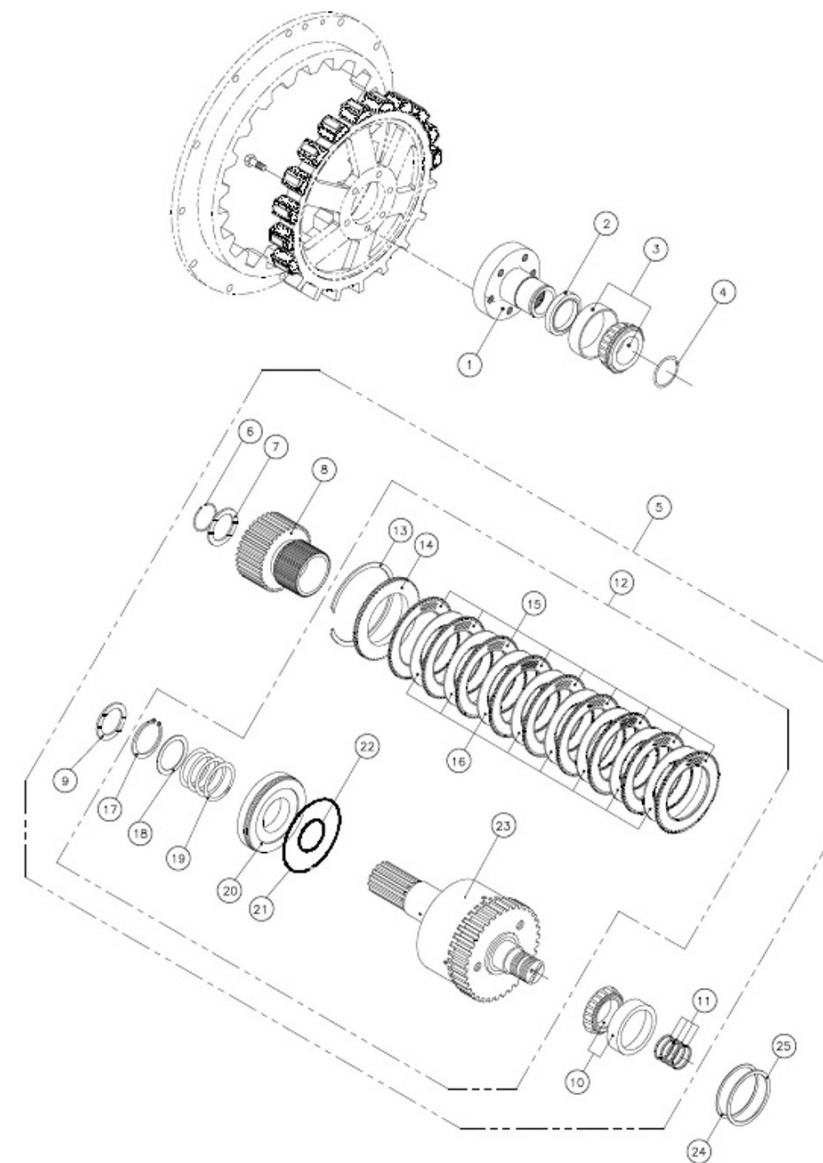
D\_5020\_5 Maintenance Kit

Fig.	Ref.	Qty.	Descr.	Obs	From	UpTo
1	24830401	1	Kit Gasket			
2	A0105000	1	15W40 Sole Diesel Oil 5L			
3	24830403	2	Clutch Plate Kit			



D\_50D6\_1 Sheet 1/9

Fig.	Ref.	Qty.	Descr.	Obs	From	UpTo
1	43300001	1	Input Coupling Assy			
2	43300002	1	Seal, Oil			
3	43300003	1	Bearing, Taper Roller			
4	43300004	1	Retainer			
5A	D090100TA	1	Input Shaft Group A(1.21)			
5B	D090100TB	1	Input Shaft Group B(1.54)			
5C	D090100TC	1	Input Shaft Group C(1.84)			
5D	43331005	1	Input Shaft Group D (2.12)			
5E	DV100100A	1	Input Shaft Group E(2.52)			
6	43301006	1	Retainer			
7	43301007	1	Washer, Thrust			
8A	D070108A	1	Pinion, Ass'Y G.R 1.61			
8B	D070108B	1	Pinion, Ass'Y G.R 2.06			
8C	D070108C	1	Pinion, Ass'Y G.R 2.45			
8D	43331008	1	Pinion, Assy G.R 2.12			
8E	DV100117A	1	Pinion, Ass'Y G.R 2.52			
9	43301009	1	Washer, Thrust			
10	43301010	1	Bearing, Taper Roller			
11	43301011	4	Ring, Oil Seal			
12	43301012	1	Input Shaft Assy			
13	43301013	1	Ring, Snap Internal			
14	43301014	1	Plate, Back			
15	43301015	10	Plate, Sintered			
16	43301016	9	Plate, Steel			
17	43301017	1	Ring, Snap External			
18	43301018	1	Washer			
19	43301019	1	Spring			
20	43301020	1	Piston, Clutch			
21	43301021	1	O-Ring			
22	43301022	1	O-Ring			
23	43301023	1	Input Shaft Assy			



D\_50D6\_1 Sheet 1/9

Fig.	Ref.	Qty.	Descr.	Obs	From	UpTo
24A	43301024	5	Shim			
24B	43301025	5	Shim			
24C	43301026	5	Shim			
25A	43300027	1	Spacer			
25B	43300028	1	Spacer			

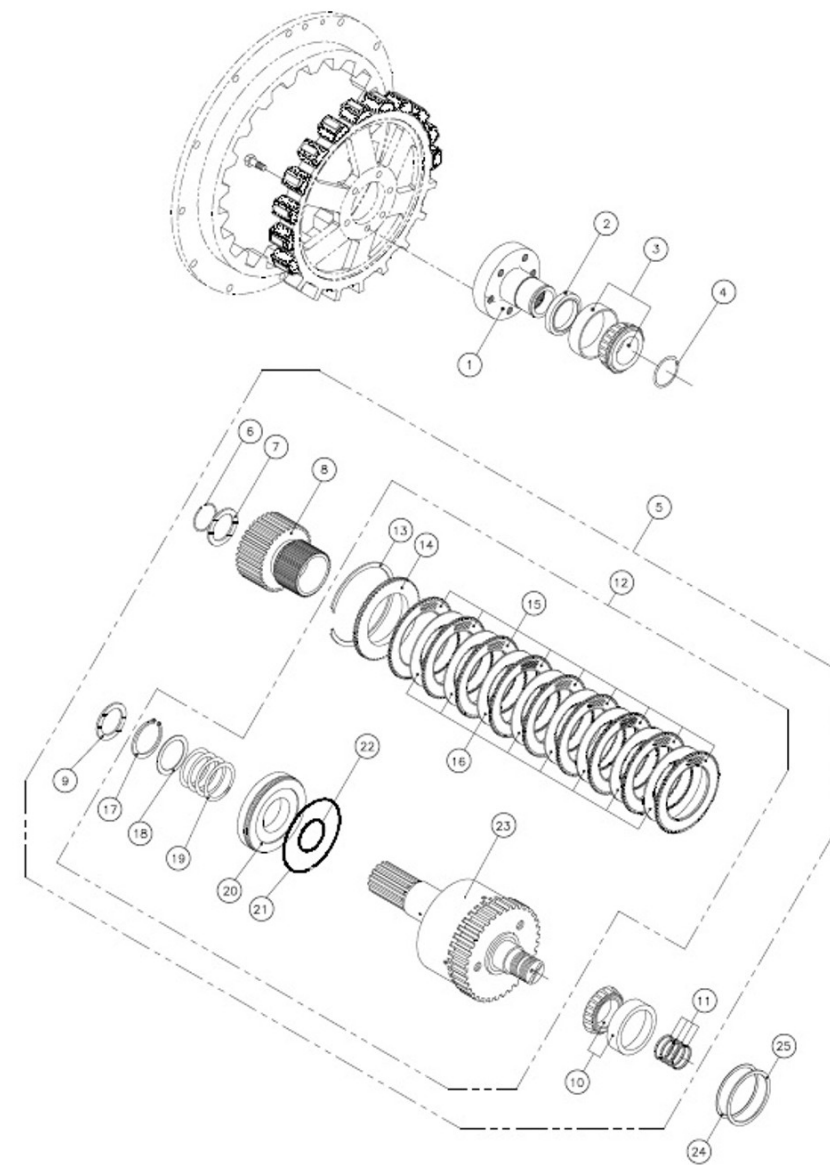


Fig.	Ref.	Qty.	Descr.	Obs	From	UpTo
40A	D090200TA	1	Astern Shaft Group A(1.21)			
40B	D090200TB	1	Astern Shaft Group B(1.54)			
40C	D090200TC	1	Astern Shaft Group C(1.84)			
40D	43332029	1	Astern Shaft Group D (2.12)			
40E	DV100200A	1	Astern Shaft Group E(2.52)			
41	43301010	2	Bearing, Taper Roller			
42	43301007	1	Washer, Thrust			
43A	D070108A	1	Pinion, Ass'Y G.R 1.61			
43B	D070108B	1	Pinion, Ass'Y G.R 2.06			
43C	D070108C	1	Pinion, Ass'Y G.R 2.45			
43D	43331008	1	Pinion, Assy G.R 2.12			
43E	DV100117A	1	Pinion, Ass'Y G.R 2.52			
44	43301009	1	Washer, Thrust			
45	43301011	4	Ring, Oil Seal			
46	43302030	1	Astern Shaft Assy			
47	43301013	1	Ring, Snap Internal			
48	43301014	1	Plate, Back			
49	43301015	10	Plate, Sintered			
50	43301016	9	Plate, Steel			
51	43301017	1	Ring, Snap External			
52	43301018	1	Washer			
53	43301019	1	Spring			
54	43301020	1	Piston, Clutch			
55	43301021	1	O-Ring			
56	43301022	1	O-Ring			
57	43302031	1	Astern Shaft Sub Assy			
58A	43301024	5	Shim			
58B	43301025	5	Shim			
58C	43301026	5	Shim			
59A	43300027	1	Spacer			
59B	43300028	1	Spacer			

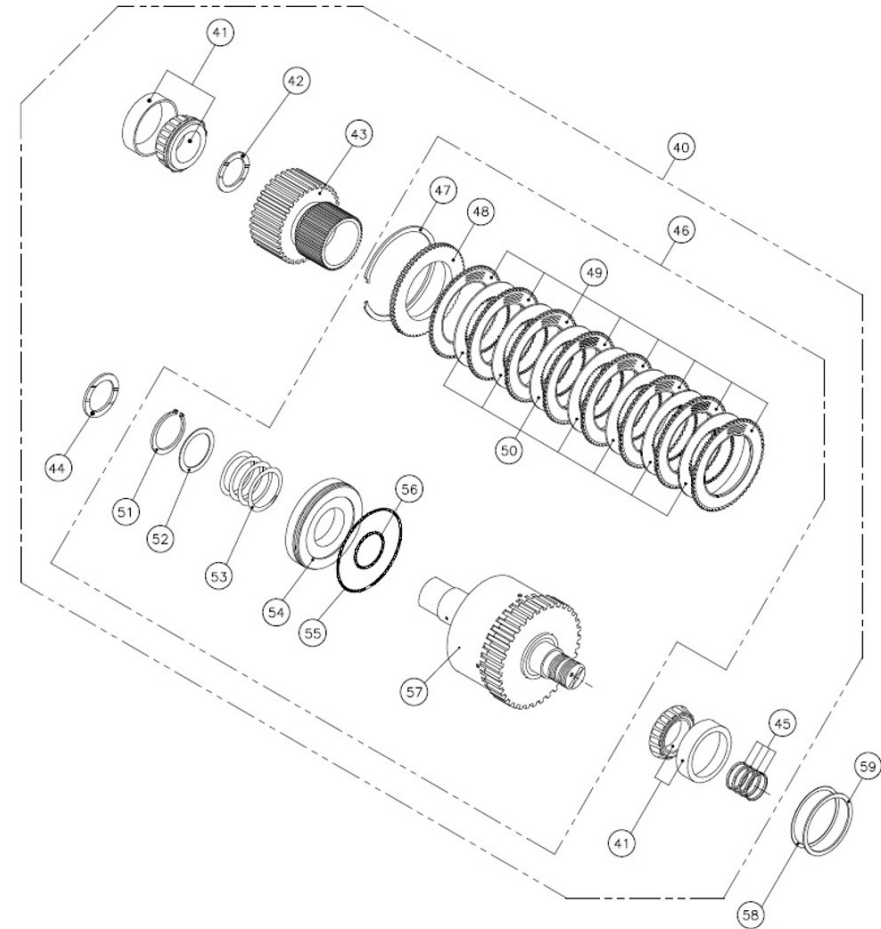


Fig.	Ref.	Qty.	Descr.	Obs	From	UpTo
70A	DV100315GA	1	Output Shaft Group A(1.21)			
70B	DV100315GB	1	Output Shaft Group B(1.54)			
70C	DV100315GC	1	Output Shaft Group C(1.84)			
70D	43332032	1	Output Shaft Group D(2.12)			
70E	DV100315GE	1	Output Shaft Group E(2.52)			
71A	DV100315A	1	Output Shaft Ass'Y A(1.21)			
71B	DV100315B	1	Output Shaft Ass'Y B(1.54)			
71C	DV100315C	1	Output Shaft Ass'Y C(1.84)			
71D	43332034	1	Output Shaft Assy D(2.12)			
71E	DV100315E	1	Output Shaft Ass'Y E(2.52)			
72	43302036	1	Bearing, Taper Roller			
73	43302037	1	Bearing, Taper Roller			
74A	43300038	5	Shim			
74B	43300039	5	Shim			
74C	43300040	5	Shim			
75	43300041	1	O-Ring			
76	43300042	1	Seal Carrier Assy			
77	43300043	1	Carrier, Seal			
78	43300002	1	Seal, Oil			
79	43300044	6	Screw			
80	43300045	1	Coupling, Output			
81	43300046	1	Washer, Retainer			
82	43300047	1	Plate, Lock			
83	43300048	3	Screw			
84	43300049	1	Coupling, Propeller			
85	43300050	4	Bolt, Reamer			
86	43300051	4	Washer, Spring			
87	43300052	4	Nut			
88	43300053	1	Oil Pan Assy			
89	43300054	2	Screw, Socket			

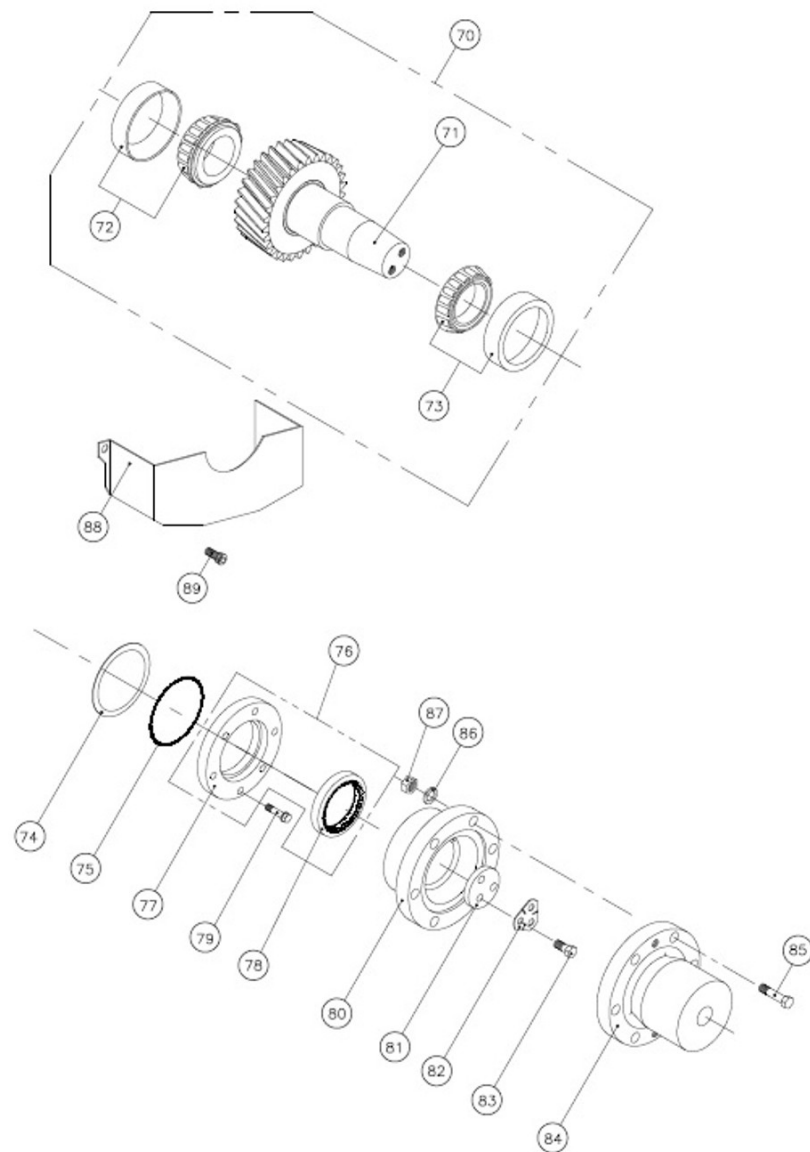
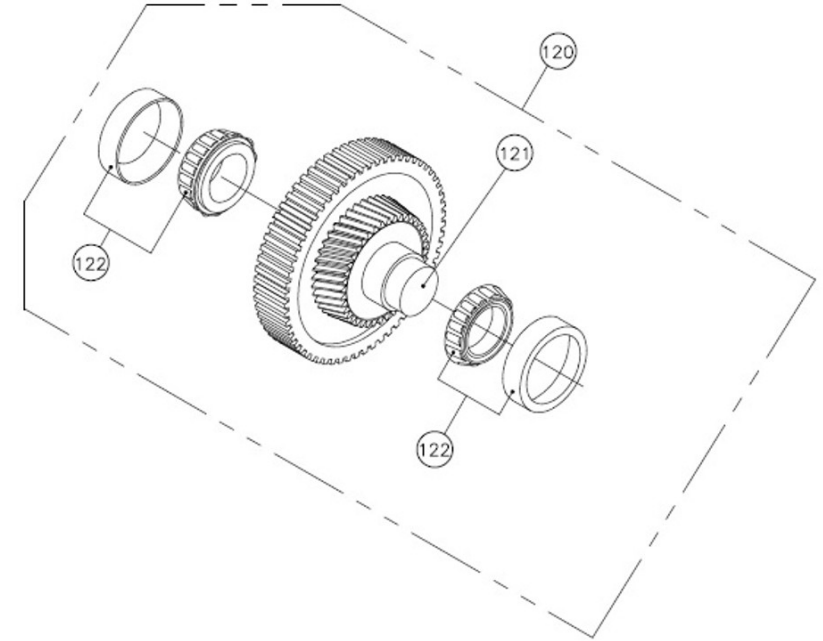
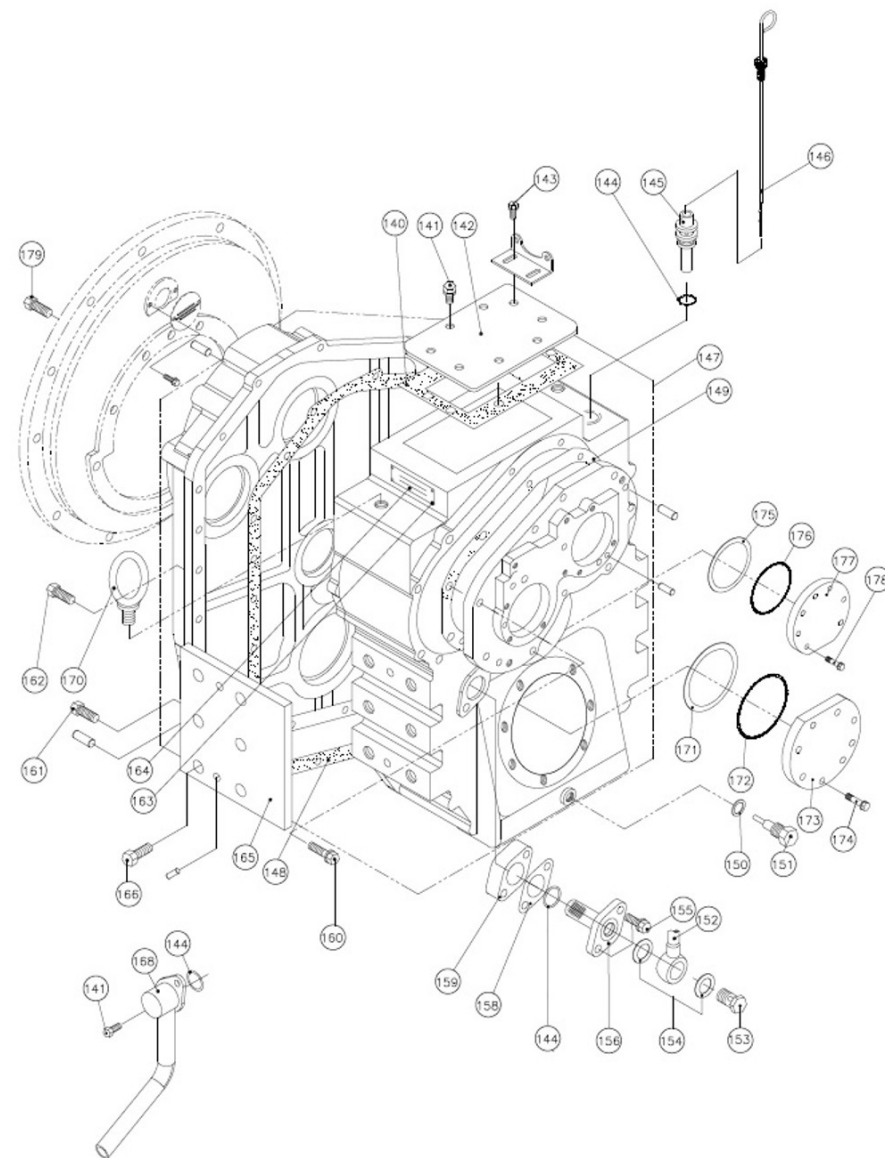


Fig.	Ref.	Qty.	Descr.	Obs	From	UpTo
120A	DV100014GA	1	Middle Shaft Group A(1.21)			
120B	DV100014GB	1	Middle Shaft Group B(1.54)			
120C	DV100014GC	1	Middle Shaft Group C(1.84)			
120D	43333055	1	Middle Shaft Group D(2.12)			
120E	DV100314GE	1	Middle Shaft Group E(2.52)			
121A	DV100014A	1	Middle Shaft Ass'Y A(1.21)			
121B	DV100014B	1	Middle Shaft Ass'Y B(1.54)			
121C	DV100014C	1	Middle Shaft Ass'Y C(1.84)			
121D	43333056	1	Middle Shaft Assy D(2.12)			
121E	DV100314E	1	Middle Shaft Ass'Y E(2.52)			
122	43303057	2	Bearing, Taper Roller			



D\_50D6\_5 Sheet 5/9

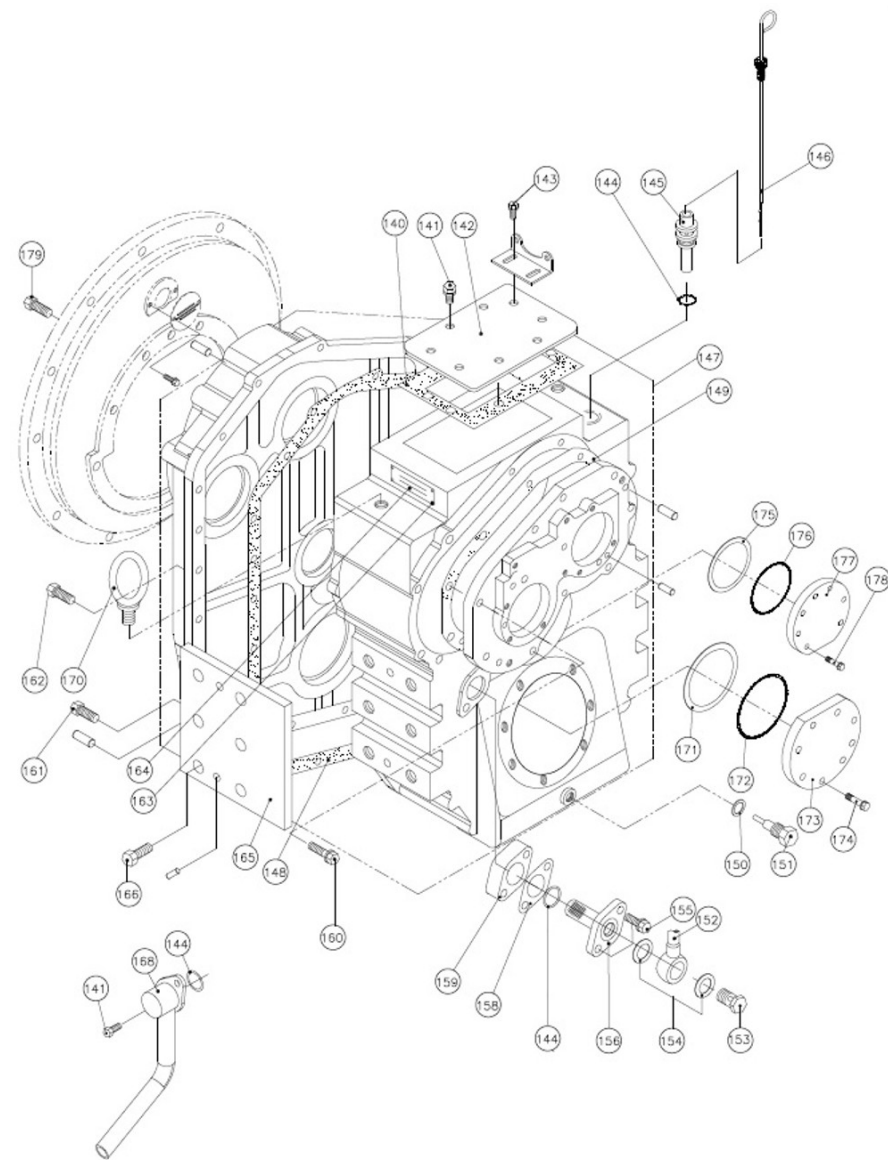
Fig.	Ref.	Qty.	Descr.	Obs	From	UpTo
140	43300058	1	Gasket, Cover			
141	243D5033	4	Screw			
142	43300059	1	Cover			
143	243D5035	4	Screw			
144	24300006	1	O-Ring			
145	43300060	1	Air Breather			
146	43300061	1	Gauge, Oil Level			
147	43300062	-1	Case Assy			
148	43300063	1	Gasket, Case			
149	43300064	1	Gasket, Bearing Carrier			
150	43300065	2	Gasket, Copper			
151	43300066	1	Drain Plug Assy			
152	43300067	1	Pipe, Suction			
153	43300068	1	Bolt, Union			
154	43300069	2	Gasket, Copper			
155	43300070	2	Screw			
156	43300071	1	Screen Filter Assy			
158	43300072	1	Gasket, Filter			
159	43300073	1	Body, Cover Filter			
160	243D5426	15	Screw			
161	243D5047	4	Screw			
162	243D5048	6	Screw			
163	43300074	4	Screw			
164	43300075	1	Plate,Name			
165	43300076	2	Bracket			
166	43300077	12	Screw			
168	43300078	1	Pipe Suction Assy			
170	43300079	2	Bolt, Eye			
171A	43300080	5	Shim			
171B	43300081	5	Shim			
171C	43300082	5	Shim			





D\_50D6\_5 Sheet 5/9

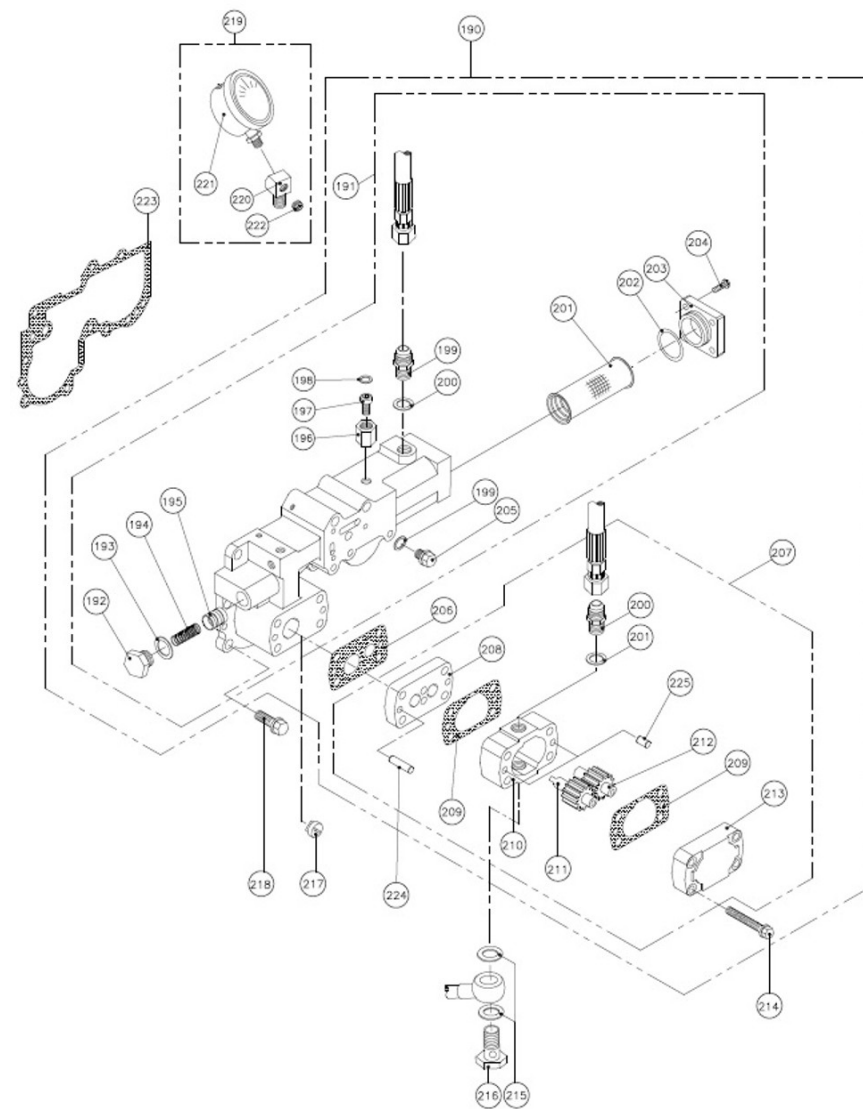
Fig.	Ref.	Qty.	Descr.	Obs	From	UpTo
172	43300083	1	O-Ring			
173	43300084	1	Rear Cover, Shaft Output			
174	43300044	8	Screw			
175A	43300085	5	Shim			
175B	43300086	5	Shim			
175C	43300087	5	Shim			
176	43300088	1	O-Ring			
177	43300089	1	Cover, Counter Shaft			
178	43300090	7	Screw			
179	43300091	10	Screw			





D\_50D6\_6 Sheet 6/9

Fig.	Ref.	Qty.	Descr.	Obs	From	UpTo
190	43306092	1	Manifold Group			
191	43306093	1	Manifold Assy			
192	43306094	1	Plug, Oil Pressure			
193	43306095	1	Gasket, Copper			
194	43306096	1	Spring, Oil Pressure			
195	43306097	1	Valve, Oil Pressure			
196	43306098	1	Nut, Lock			
197	43306099	1	Screw, Lock			
198	43306000	2	Gasket, Copper			
199	43306001	2	Nipple			
200	43300065	2	Gasket, Copper			
201	43306002	1	Oil Filter Assy			
202	24300010	1	O-Ring			
203	43306003	1	Cover, Filter			
204	243D5413	4	Screw			
205	43306004	1	Plug			
206	43306005	1	Gasket, Pump Plate			
207	43306006	1	Pump Assy			
208	43306007	1	Pump Plate Assy			
209	43306008	2	Gasket, Pump			
210	43306009	1	Body, Gear Pump			
211	43306010	1	Gear, Pump Driving			
212	43306011	1	Gear, Pump Driven			
213	43306012	1	Pump Cover Assy			
214	43306013	4	Screw			
215	43300069	2	Gasket, Copper			
216	43300068	1	Bolt, Union			
217	43306014	1	Block, Pump Driving			
218	243D5426	7	Screw			
219	243D5429	1	Pressure Gauge Assy			
220	43306015	1	Adaptor			



D\_50D6\_6 Sheet 6/9

Fig.	Ref.	Qty.	Descr.	Obs	From	UpTo
221	243D5431	1	Pressure Gauge			
222	243D5432	1	Plug			
223	43306016	1	Gasket, Manifold			
224	43306017	2	Pin, Dowel			
225	43306018	2	Pin, Dowel			

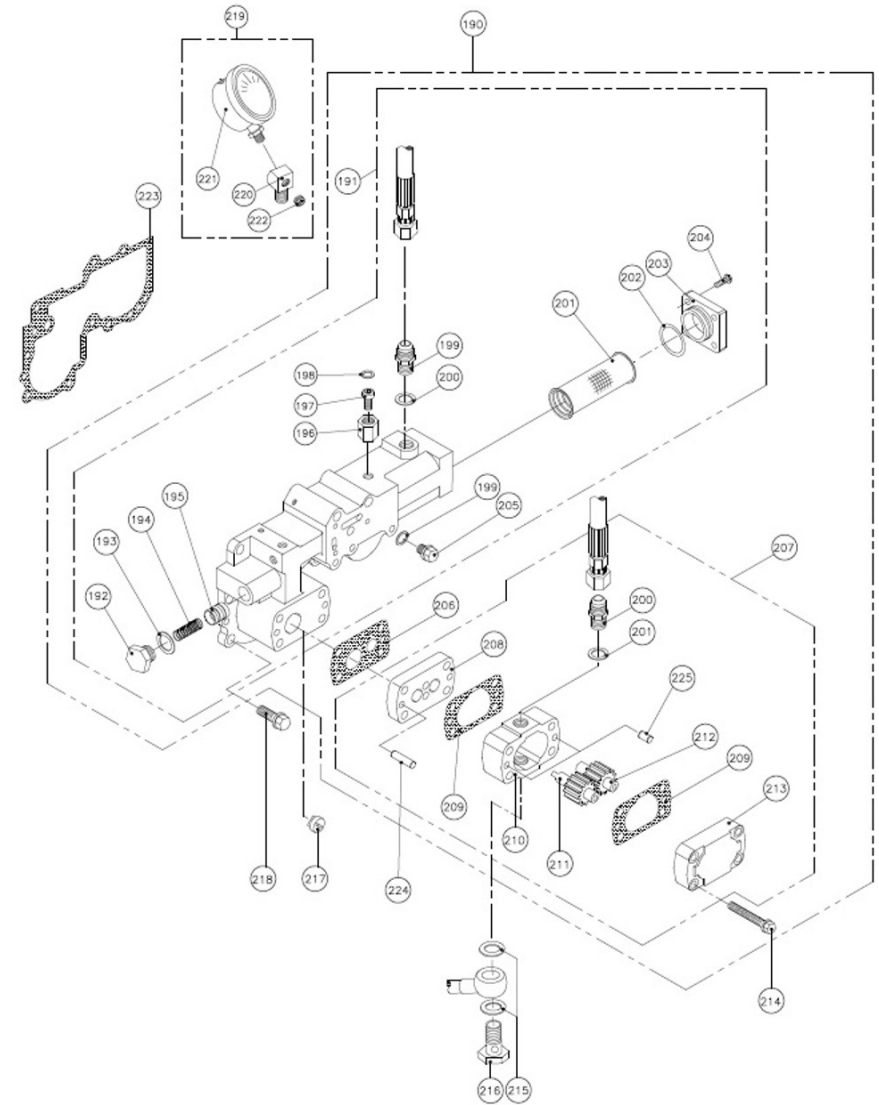


Fig.	Ref.	Qty.	Descr.	Obs	From	UpTo
290A	43306019	1	Oil Cooler Assy			
290B	43306020	1	Oil Cooler Assy			
291A	43306021	2	Cooler Cover Assy			
291B	43306022	2	Cooler Cover Assy			
292	24300011	2	Zinc Anode Assy			
293A	243D5047	8	Screw			
293B	43306023	8	Screw			
294A	43306024	2	Cover, Cooler			
294B	43306025	2	Cover, Cooler			
295A	243D5009	2	O-Ring			
295B	43306026	2	O-Ring			
296A	43306027	1	Element Cooler			
296B	43306028	1	Element Cooler			
297A	43306029	2	Bracket, Cooler			
297B	43306030	2	Bracket, Cooler			
298	43306095	4	Gasket, Copper			
299	43306031	2	Bolt, Union			
300	43306032	1	Hose Assy			
301	43306033	1	Hose Assy			

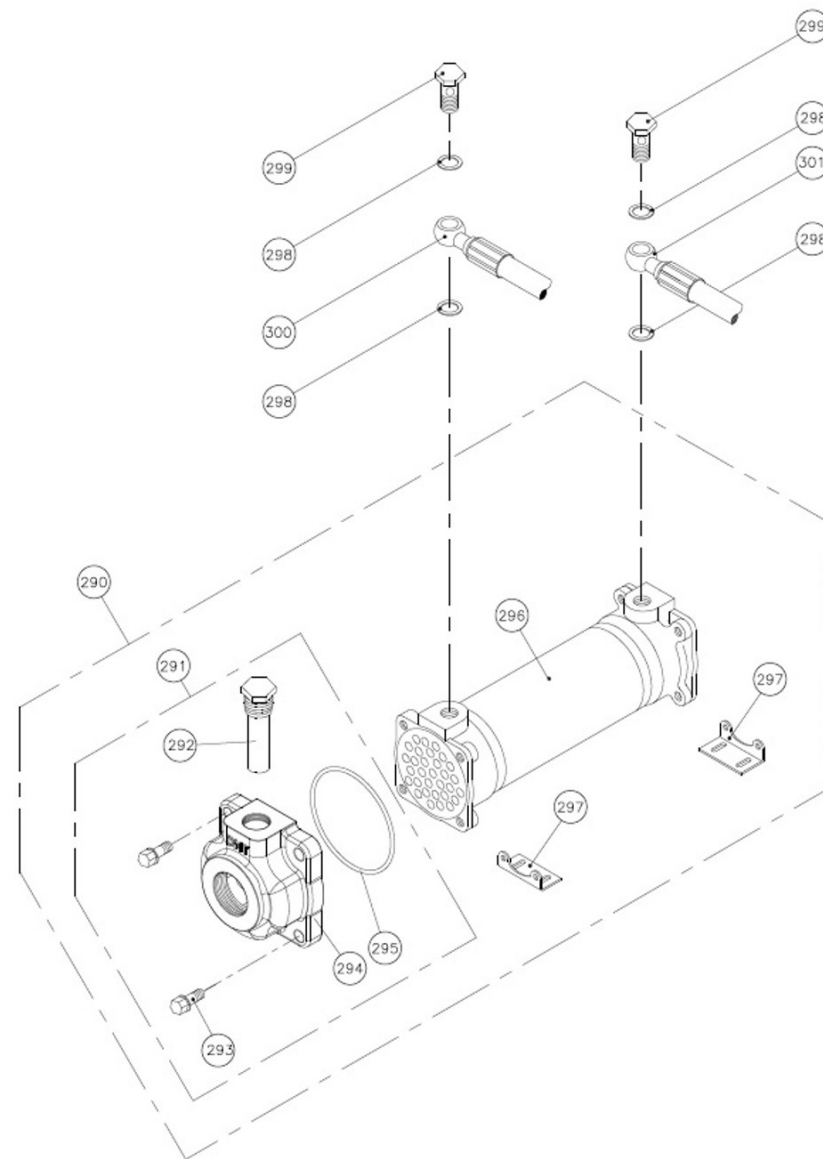
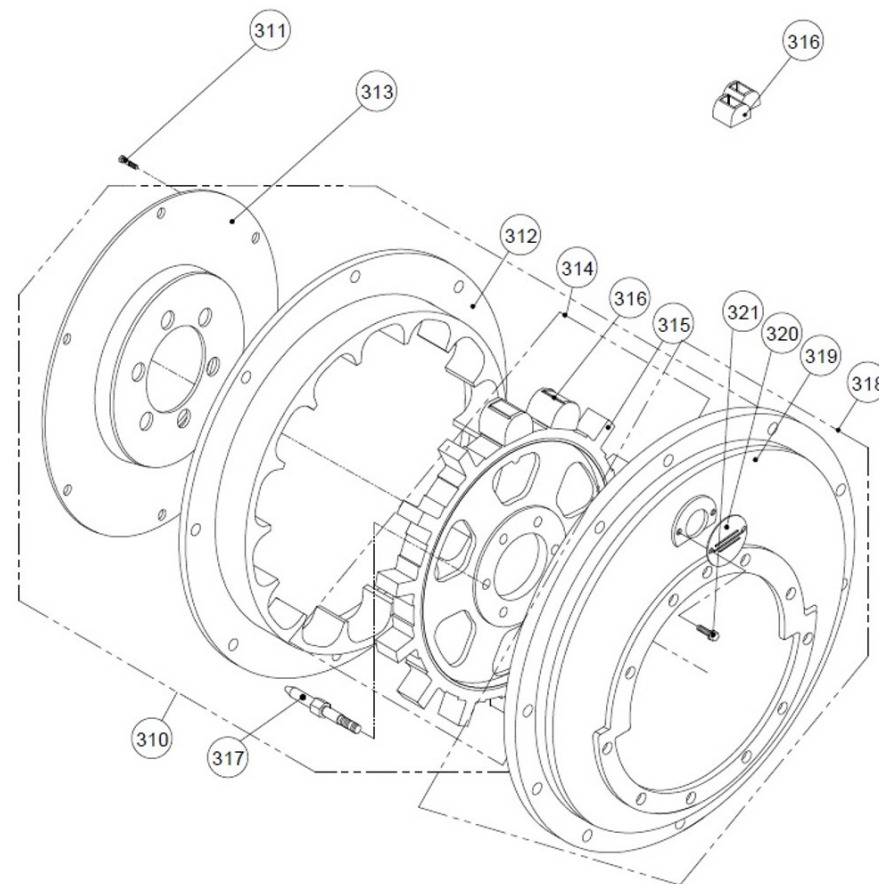


Fig.	Ref.	Qty.	Descr.	Obs	From	UpTo
310	43306034	1	Ring, Driving Assy			
311	43306035	6	Bolt, Reamer			
312	43306036	1	Driving Ring			
313	43306037	1	Center Ring Assy			
314	43306038	1	Spider, Drive Assy			
315	43306039	1	Spider, Drive			
316	43306040	12	Block, Rubber			
317	43306041	6	Bolt, Reamer			
318	43306042	1	Housing, Flywheel Assy			
319	43306043	1	Housing, Flywheel			
320	43306044	1	Cover, Check			
321	43306045	2	Screw			



D\_50D6\_9 Sheet 9/9

Fig.	Ref.	Qty.	Descr.	Obs	From	UpTo
330	243D5433	1	Trolling Valve Group			
331	243D5434	1	Lever Group			
332	43305046	1	Pin, Cable			
333	243D5436	1	Pin, Split			
334	43305047	1	Lever Assy			
335	243D5438	1	Washer			
336	243D5439	1	Pin, Spring			
337	43305048	1	Cover, Valve			
338	243D5441	1	O-Ring			
339	43305049	1	Bearing, Thrust			
340	43305050	1	Stem, Valve			
341	243D5444	2	Screw, Socket			
342	243D5445	2	Screw, Socket			
343	243D5446	1	Ball, Steel			
344	43305051	1	Spring, Detent			
345	43305052	1	Gasket, Valve Cover			
346	43305053	1	Valve, Regulator Pressure			
347	43305069	1	Spring, Outer			
348	43305054	1	Spring, Trolling			
349	43305055	1	Spring, Check Valve			
350	243D5452	1	Ball, Steel			
351	43305056	1	Spacer			
352	43305057	1	Piston			
353	43305058	2	Gasket, Plate			
354	43305059	1	Plate, Orifice			
355	43305060	1	Plate			
356	43305061	1	Gasket, Trolling Valve			
357	43305062	1	Trolling Valve Assy			
359	43305063	1	Spring, Detent			
360	243D5461	2	Screw			
361	243D5462	1	Trolling Bracket Assy			

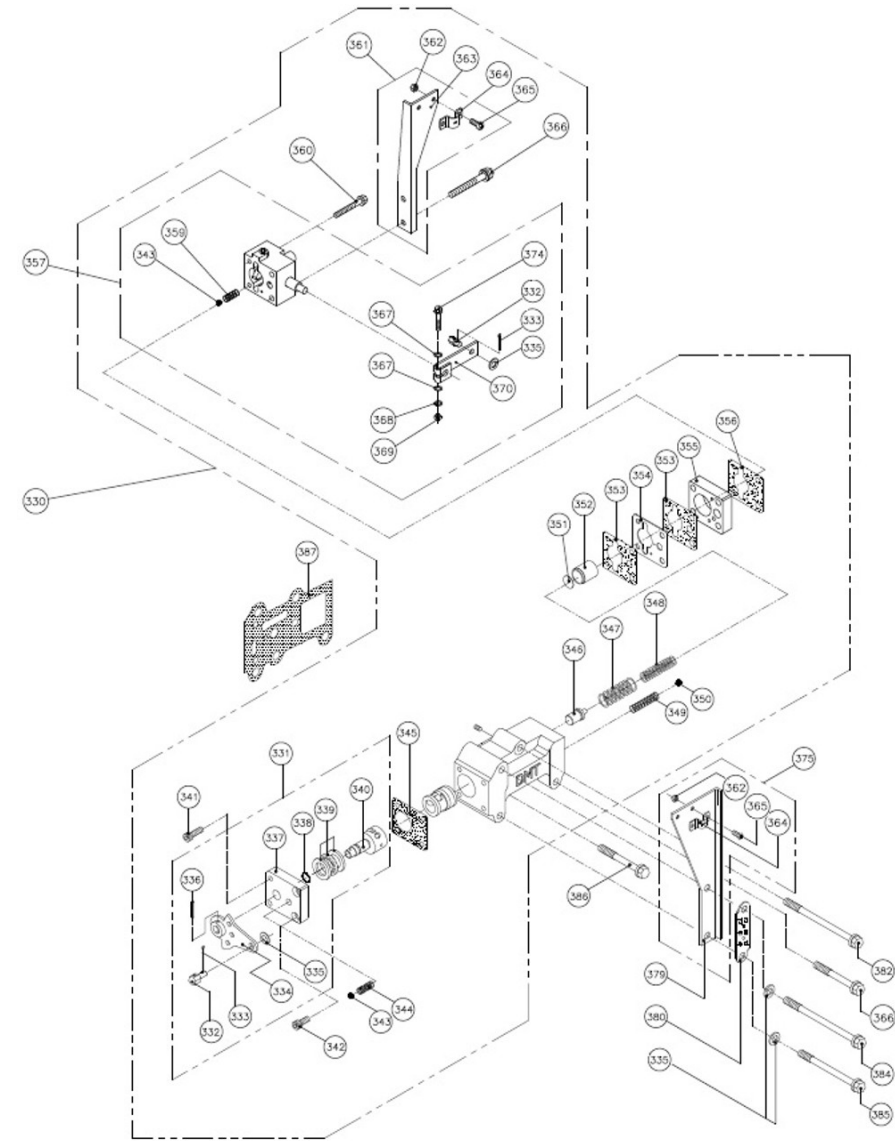
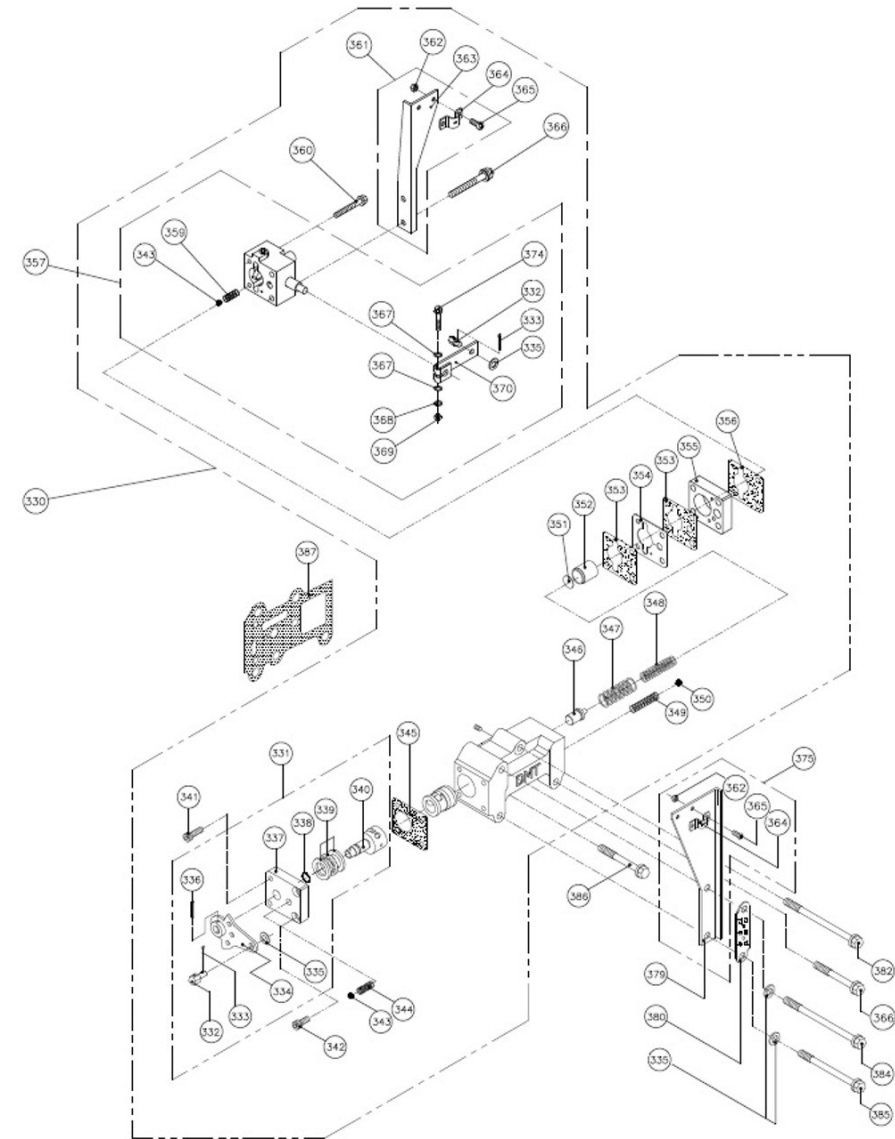


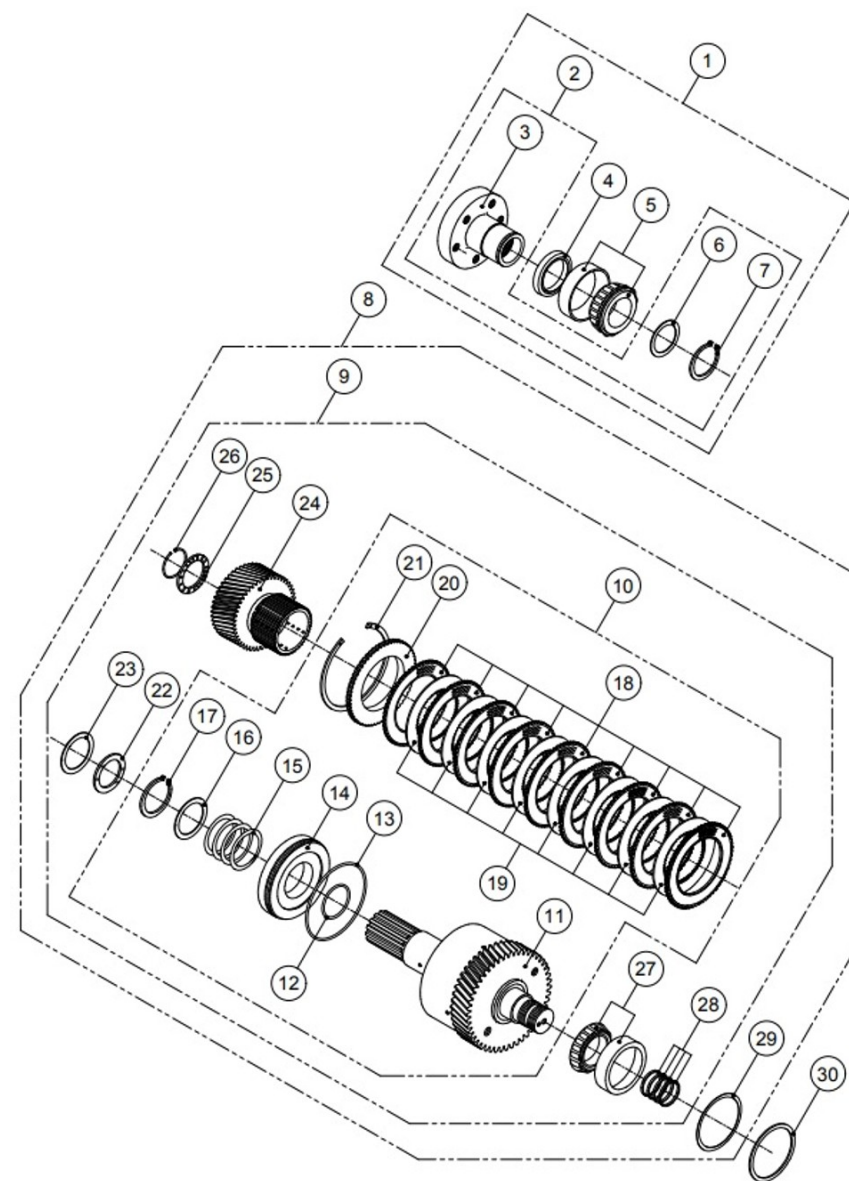
Fig.	Ref.	Qty.	Descr.	Obs	From	UpTo
362	243D5463	2	Nut			
363	43305064	1	Bracket, Trolling			
364	43305065	1	Clamp			
365	243D5466	2	Screw			
366	243D5467	2	Screw			
367	243D5468	2	Washer			
368	243D5469	1	Washer, Spring			
369	243D5470	1	Nut			
370	43305066	1	Lever, Trolling			
374	243D5472	1	Screw			
375	243D5473	1	Bracket, Cable Assy			
379	43305067	1	Bracket, Cable			
380	43305068	1	Plate, Name			
382	243D5476	1	Screw			
384	243D5477	1	Screw			
385	243D5478	1	Screw			
386	243D5049	1	Screw			
387	43305070	1	Gasket, Selector Valve			





D\_0313\_1 Sheet 1/9

Fig.	Ref.	Qty.	Descr.	Obs	From	UpTo
1	DST100008	1	Input Coupling Ass'Y			
2	DAS100008	1	Input Coupling Ass'Y			
3	D100007	1	Input Coupling Ass'Y			
4	DD06509010	1	Seal, Oil			
5	D32211J	1	Bearing, Taper Roller			
6	D100010	1	Spacer			
7	D100019	1	Ring, Snap External			
8A	DAS100100A	1	Input Shaft Group G.R 5.29			
8B	DAS100100B	1	Input Shaft Group G.R 5.95			
8C	DAS100100C	1	Input Shaft Group G.R 4.07			
8D	DAS100100D	1	Input Shaft Group G.R 4.50			
8E	DAS100100E	1	Input Shaft Group G.R 4.95			
9A	D100100A	1	Input Shaft Group G.R 5.29			
9B	D100100B	1	Input Shaft Group G.R 5.95			
9C	D100100C	1	Input Shaft Group G.R 4.07			
9D	D100100D	1	Input Shaft Group G.R 4.50			
9E	D100100E	1	Input Shaft Group G.R 4.95			
10	D100100	1	Input Shaft Ass'Y			
11	DAS100101	1	Input Shaft Sub Ass'Y			
12	D70104	1	O-Ring			
13	D70106	1	O-Ring			
14	D70105	1	Piston, Clutch			
15	43301019	1	Spring			
16	43301018	1	Washer			
17	43301017	1	Ring, Snap External			
18	D100109	9	Plate, Sintered			
19	D100110	8	Plate, Steel			
20	43301014	1	Plate, Back			
21	D11527	1	Ring, Snap Internal			
22	D70117	1	Washer, Thrust			
23	D100116	1	Washer, Thrust			



D\_0313\_1 Sheet 1/9

Fig.	Ref.	Qty.	Descr.	Obs	From	UpTo
24A	D100108A	1	Pinion, Ass'Y G.R 5.29			
24B	D100108B	1	Pinion, Ass'Y G.R 5.95			
24C	D100108C	1	Pinion, Ass'Y G.R 4.07			
24D	D100108D	1	Pinion, Ass'Y G.R 4.50			
24E	D100108E	1	Pinion, Ass'Y G.R 4.95			
25	D100120	1	Washer, Thrust			
26	43301006	1	Retainer			
27	43301010	1	Bearing, Taper Roller			
28	D050120	4	Ring, Oil Seal			
29A	43301024	0	Shim	#		
29B	43301025	5	Shim			
29C	43301026	0	Shim	#		
30A	43300027	1	Spacer			
30B	43300028	1	Spacer			

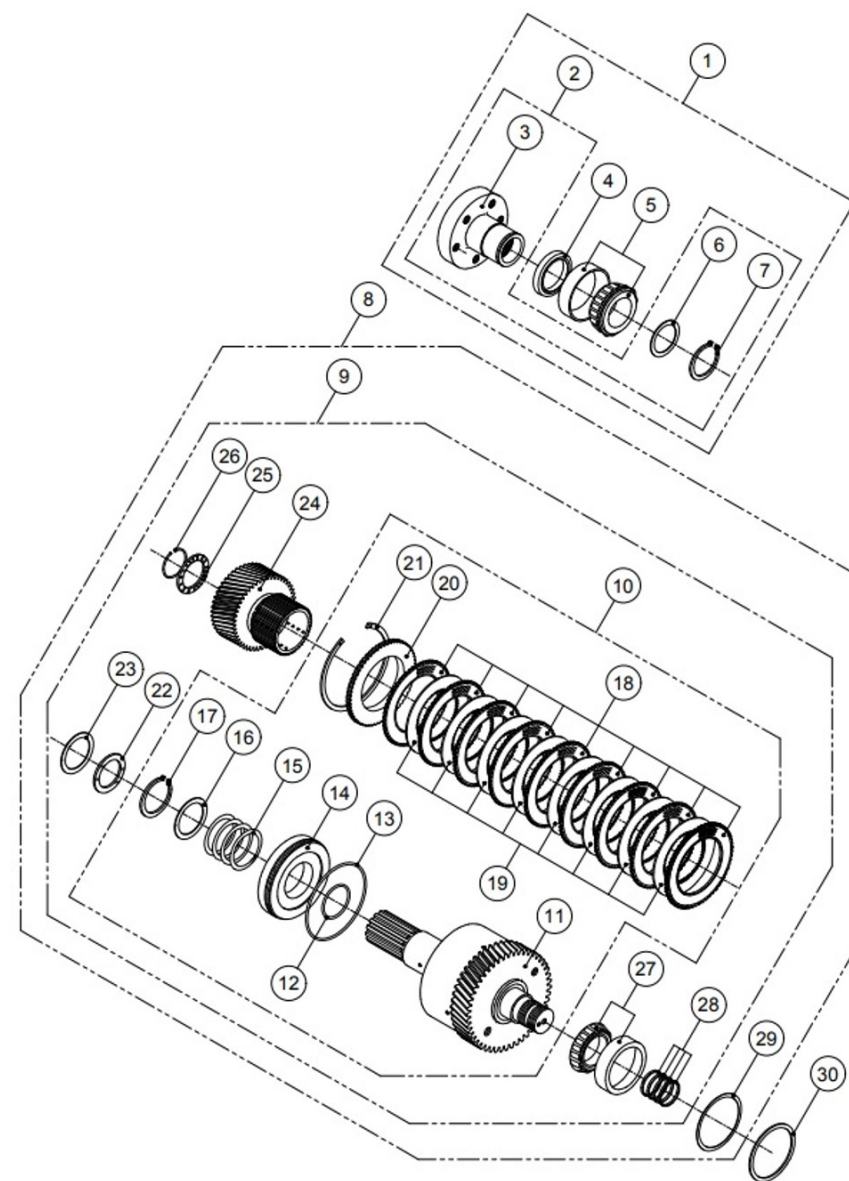




Fig.	Ref.	Qty.	Descr.	Obs	From	UpTo
1A	DAS100200A	1	Astern Shaft Group G.R 5.29			
1B	DAS100200B	1	Astern Shaft Group G.R 5.95			
1C	DAS100200C	1	Astern Shaft Group G.R 4.07			
1D	DAS100200D	1	Astern Shaft Group G.R 4.50			
1E	DAS100200E	1	Astern Shaft Group G.R 4.95			
2A	D100200A	1	Astern Shaft Group G.R 5.29			
2B	D100200B	1	Astern Shaft Group G.R 5.95			
2C	D100200C	1	Astern Shaft Group G.R 4.07			
2D	D100200D	1	Astern Shaft Group G.R 4.50			
2E	D100200E	1	Astern Shaft Group G.R 4.95			
3	D100200	1	Astern Shaft Ass'Y			
4	DAS100201	1	Astern Shaft Sub Ass'Y			
5	D70104	1	O-Ring			
6	D70106	1	O-Ring			
7	D70105	1	Piston, Clutch			
8	43301019	1	Spring			
9	43301018	1	Washer			
10	43301017	1	Ring, Snap External			
11	D100109	9	Plate, Sintered			
12	D100110	8	Plate, Steel			
13	43301014	1	Plate, Back			
14	D11527	1	Ring, Snap Internal			
15	D70117	1	Washer, Thrust			
16	D100116	2	Washer, Thrust			
17A	D100108A	1	Pinion, Ass'Y G.R 5.29			
17B	D100108B	1	Pinion, Ass'Y G.R 5.95			
17C	D100108C	1	Pinion, Ass'Y G.R 4.07			
17D	D100108D	1	Pinion, Ass'Y G.R 4.50			
17E	D100108E	1	Pinion, Ass'Y G.R 4.95			
18	D100205	1	Collar, Bearing			
19	D32208J	1	Bearing, Taper Roller			

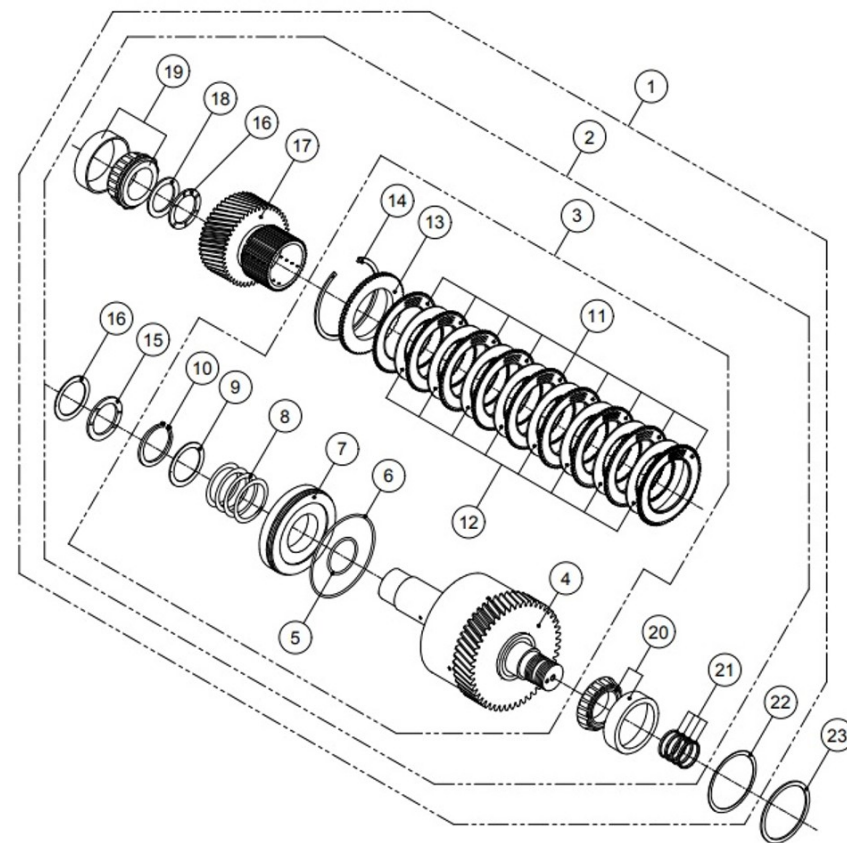


Fig.	Ref.	Qty.	Descr.	Obs	From	UpTo
20	43301010	1	Bearing, Taper Roller			
21	D050120	4	Ring, Oil Seal			
22A	43301024	0	Shim	#		
22B	43301025	5	Shim			
22C	43301026	0	Shim	#		
23B	43300028	1	Spacer			

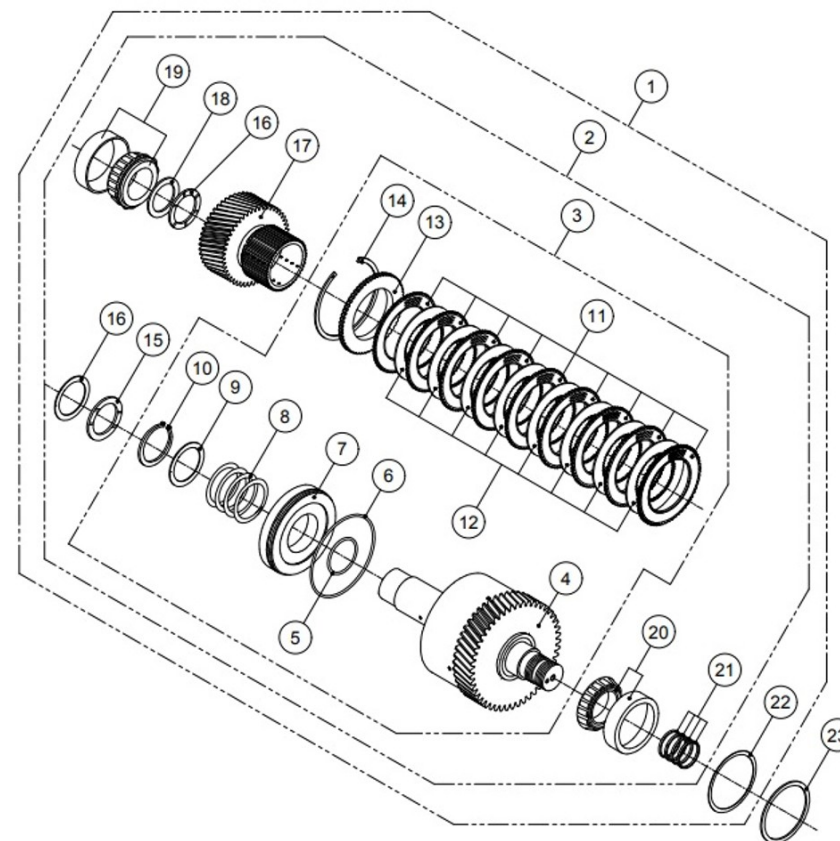


Fig.	Ref.	Qty.	Descr.	Obs	From	UpTo
1A	DST100301A	1	Output Shaft Ass'Y G.R 5.29			
1B	DST100301B	1	Output Shaft Ass'Y G.R 5.95			
1C	DST100301C	1	Output Shaft Ass'Y G.R 4.07			
1D	DST100301D	1	Output Shaft Ass'Y G.R 4.50			
1E	DST100301E	1	Output Shaft Ass'Y G.R 4.95			
2A	D100300AG	1	Output Shaft Group G.R 5.29			
2B	D100300BG	1	Output Shaft Group G.R 5.95			
2C	D100300CG	1	Output Shaft Group G.R 4.07			
2D	D100300DG	1	Output Shaft Group G.R 4.50			
2E	D100300EG	1	Output Shaft Group G.R 4.95			
3A	D100300A	1	Output Shaft Ass'Y G.R 5.29			
3B	D100300B	1	Output Shaft Ass'Y G.R 5.95			
3C	D100300C	1	Output Shaft Ass'Y G.R 4.07			
3D	D100300D	1	Output Shaft Ass'Y G.R 4.50			
3E	D100300E	1	Output Shaft Ass'Y G.R 4.95			
5	D100314	1	Oil Pan Ass'Y			
6	243B0250	2	Screw, Socket			
7A	D100304A	0	Shim	#		
7B	D100304B	5	Shim			
7C	D100304C	0	Shim	#		
8	DG12531	1	O-Ring			
9	D100303A	1	Carrier, Seal Ass'Y			
10	DD07510013	1	Seal, Oil			
11	DB12175035	6	Screw			
12	DAS100306	1	Output Coupling Ass'Y			
13	D100307	1	Washer, Retainer			
14	D100315	1	Plate, Lock			
15	DA14150035	3	Screw			
16	D100310	1	Coupling, Propeller			
17	D70318	6	Bolt, Reamer			
18	43300051	6	Washer, Spring			

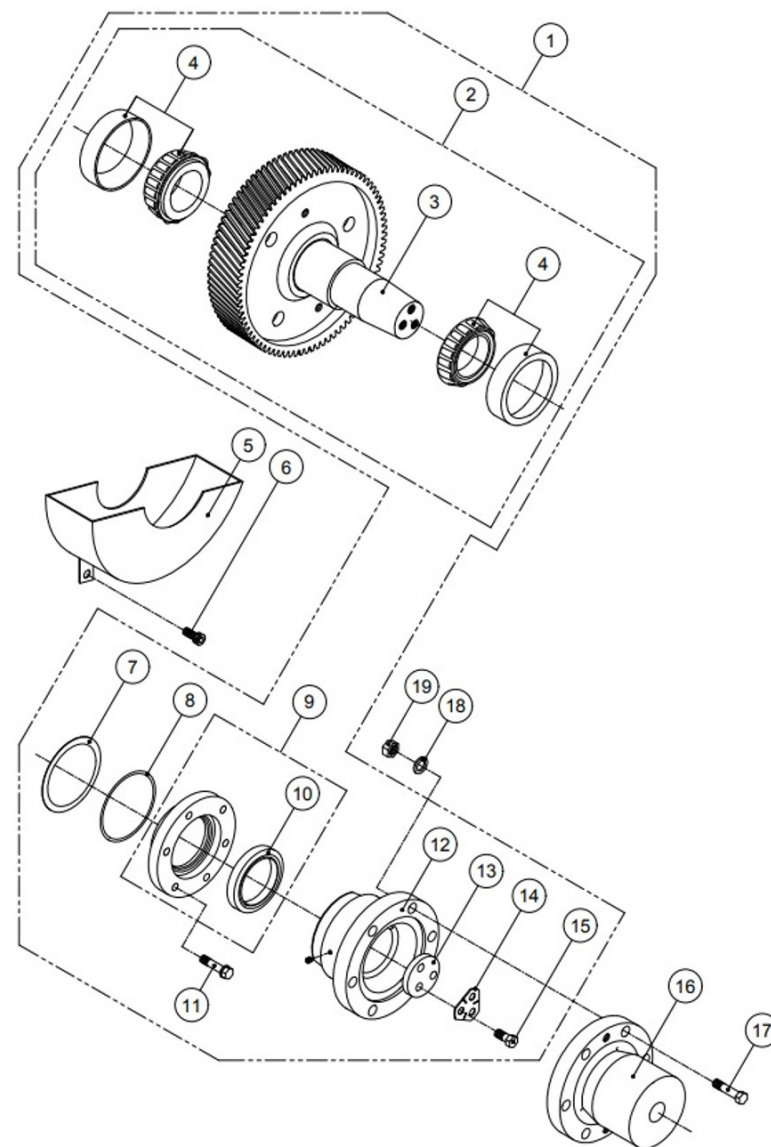


Fig.	Ref.	Qty.	Descr.	Obs	From	UpTo
19	43300052	6	Nut			

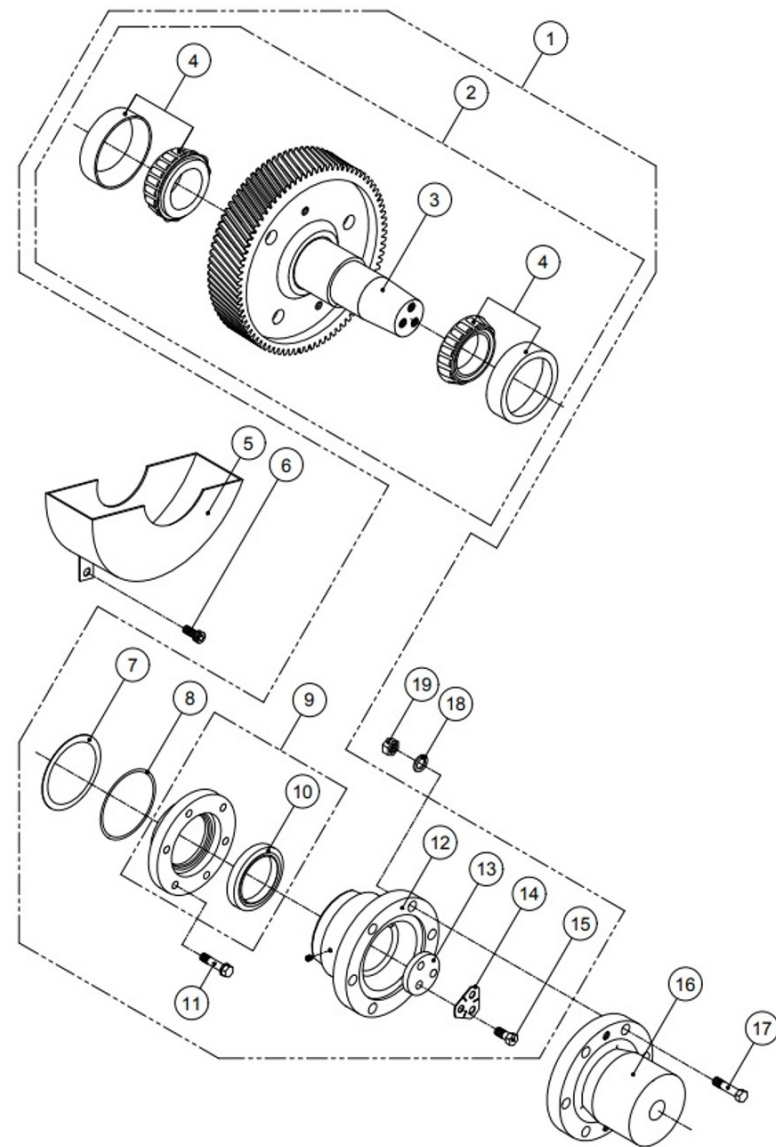
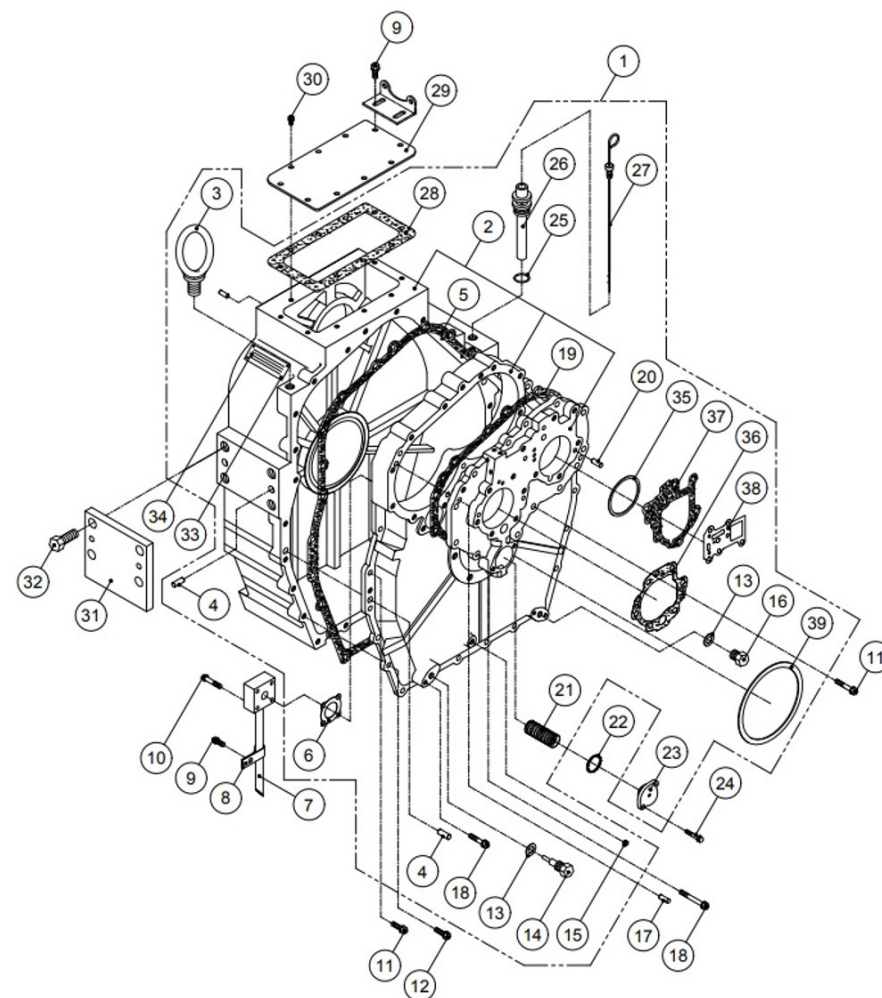


Fig.	Ref.	Qty.	Descr.	Obs	From	UpTo
1	DST100001	1	Case Ass'Y			
2	D100000AG	1	Case Ass'Y			
3	43300079	2	Bolt, Eye			
4	243B0058	8	Pin, Dowel			
5	D100003	1	Gasket, Case			
6	D150025	1	Gasket, Suction Pipe			
7	D100026	1	Pipe Suction Ass'Y			
8	D170027	1	Clamp			
9	243D5035	5	Screw			
10	243B0040	4	Screw			
11	43300044	15	Screw			
12	43306023	8	Screw			
13	D11028	2	Gasket, Copper			
14	D25018	1	Drain Plug Ass'Y			
15	DPT0080310	1	Plug			
16	24350018	1	Plug			
17	243B0057	2	Pin, Dowel			
18	DB10150070	9	Screw			
19	D100005	1	Gasket, Bearing Carrier			
20	243D5055	4	Pin, Dowel			
21	D100022	1	Screen Filter Ass'Y			
22	243B0002	1	O-Ring			
23	D170023	1	Cover, Screen Filter			
24	43300070	2	Screw			
26	D170017	1	Air Breather Ass'Y			
27	D100018	1	Oil Gauge Ass'Y			
28	D100016	1	Gasket, Cover			
29	D100015	1	Cover			
30	243B0039	6	Screw			
31	D100953	2	Plate, Attachment			
32	243B0239	8	Screw			





D\_0313\_4 Sheet 4/9

Fig.	Ref.	Qty.	Descr.	Obs	From	UpTo
33	243B0045	4	Screw			
34	43300075	1	Plate,Name			
35	43301025	10	Shim			
36	D100033	1	Gasket, Pump Hold			
37	D100034	1	Gasket, Valve Holder			
38	D150527	1	Gasket, Selector Valve			
39	D100304B	5	Shim			

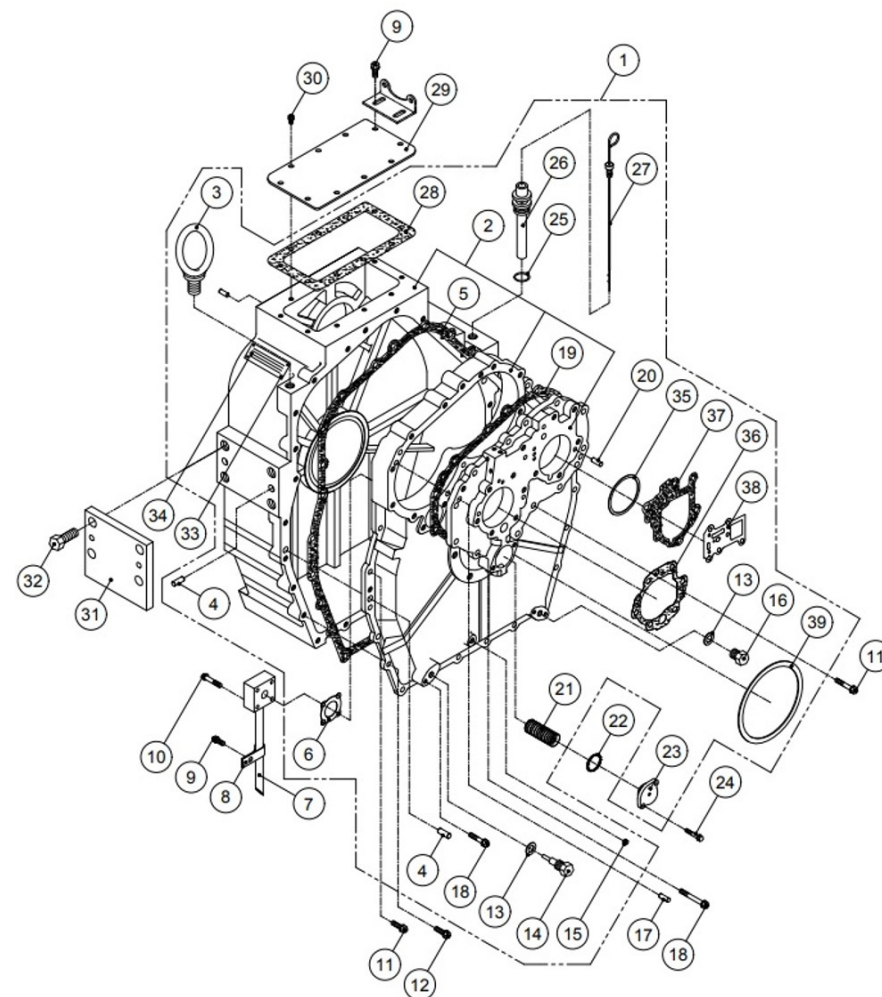


Fig.	Ref.	Qty.	Descr.	Obs	From	UpTo
1	DST100402	1	Pump Holder Group			
2	DAS100406	1	Pump Ass'Y			
3	43306014	1	Block, Pump Driving			
4	DAS100402	1	Pump Holder Ass'Y			
5	43301025	5	Shim			
6	D100033	1	Gasket, Pump Hold			
7	D100401	1	Pump Holder Ass'Y			
8	D100412	1	Gasket, Pump Plate			
9	D100420	1	Pump Ass'Y			
10	D100409	1	Pump Cover Ass'Y			
11	243D5055	6	Pin, Dowel			
12	D100405	2	Gasket, Pump			
13	D100406	1	Body, Gear Pump			
14	D136407	1	Gear, Pump Driving			
15	D136408	1	Gear, Pump Driven			
16	D100421	1	Pump Plate Ass'Y			
17	D11028	1	Gasket, Copper			
18	43306001	1	Nipple			
19	DB10150080	4	Screw			

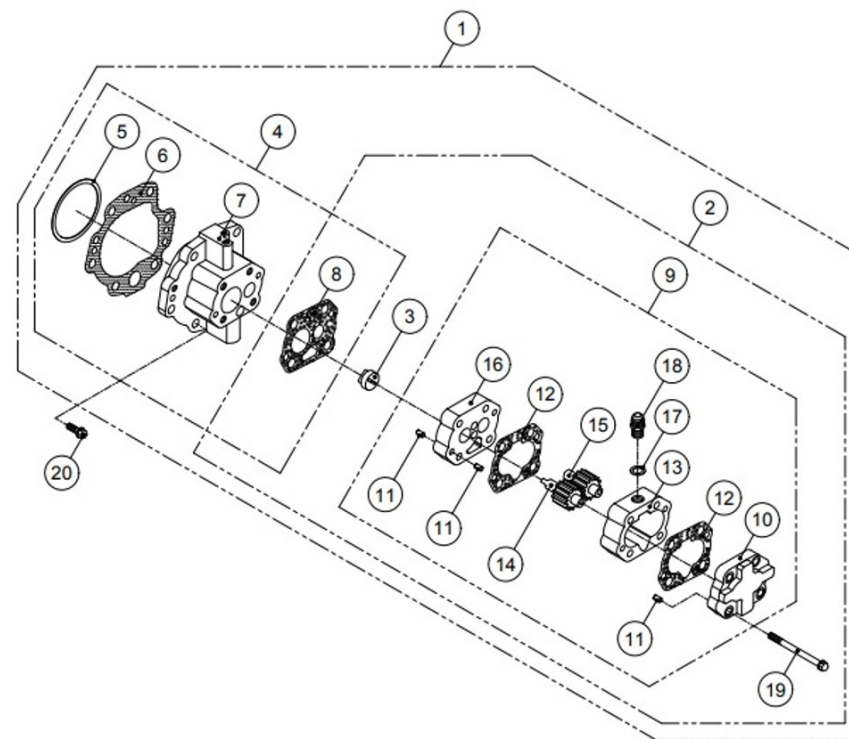


Fig.	Ref.	Qty.	Descr.	Obs	From	UpTo
1	DAS100562	1	Valve Holder Ass'Y			
2	43301025	5	Shim			
3	D100034	1	Gasket, Valve Holder			
4	D100561G	1	Valve Holder Ass'Y			
5	D70031	1	Gasket, Copper			
6	D70030	1	Plug			
7	D11028	1	Gasket, Copper			
8	43306001	1	Nipple			
9	243D5407	1	Nut, Lock			
10	243D5408	1	Screw, Lock			
11	D25025	1	Valve, Oil Pressure			
12	D25026	1	Spring, Oil Pressure			
13	D25028	1	Gasket, Copper			
14	D25027	1	Plug, Pressure			
15	D136549	1	Oil Filter Ass'Y			
17	D110546	1	Cover, Filter			
18	243B0526	4	Screw			
19	43300090	7	Screw			
20	D25019	1	Gasket, Copper			
21	243B0529	1	Pressure Gauge Assy			
22	D110412	1	Adaptor			
23	243B0530	1	Pressure Gauge			
24	243B0532	1	Plug			
25	D150527	1	Gasket, Selector Valve			

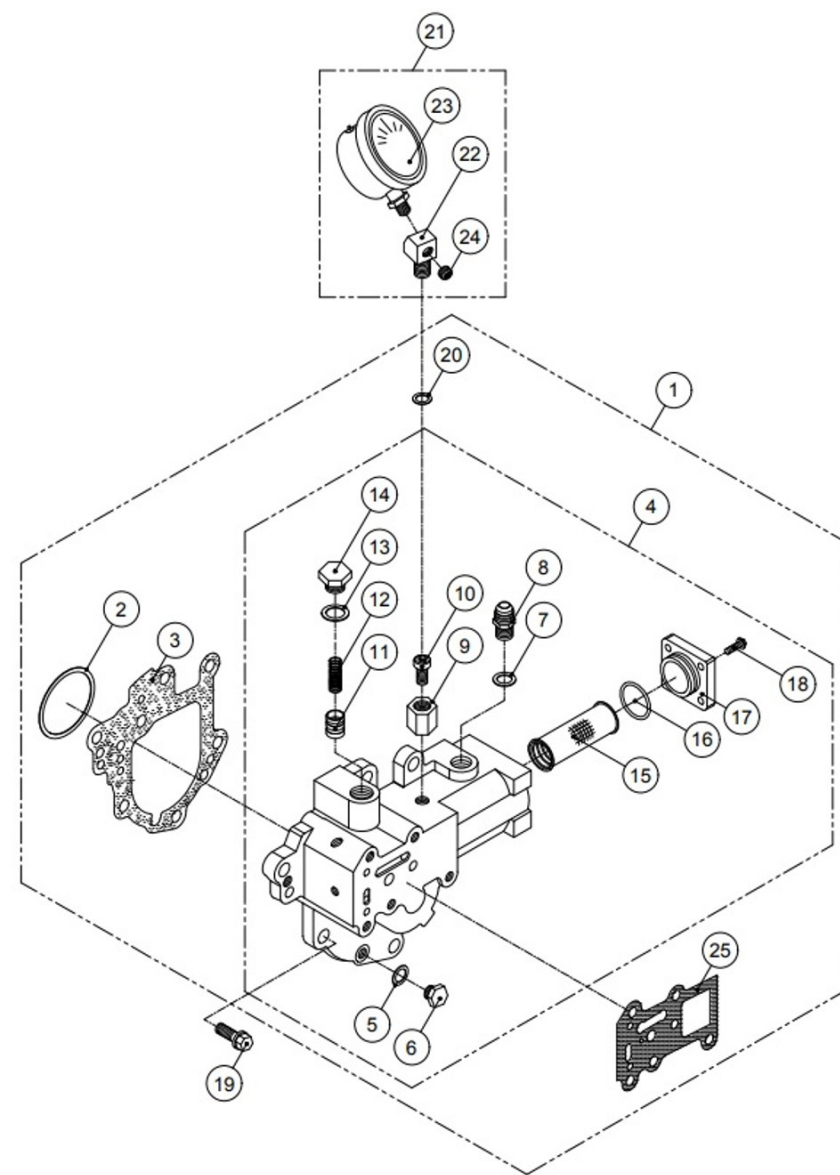




Fig.	Ref.	Qty.	Descr.	Obs	From	UpTo
1	DST025500	1	Selector Valve Group			
2	D025514	1	Sleeve			
3	D150510A	1	Pressure Regulating Valve ASS'Y			
4	D25507	1	Spring, Outer			
5	243D5450	1	Spring, Trolling			
6	243D5453	1	Spacer			
7	D150508	1	Piston			
8	D25502	1	Spring, Check Valve			
9	243B0555	1	Ball, Steel			
10	D150546	2	Gasket, Trolling Valve			
11	D150547	1	Plate, Orifice			
12	D25510	1	Cover, Piston			
14	D25515	1	Gasket, Valve Cover			
15	243B0536	1	Lever Group			
16	243D5443	1	Stem, Valve			
17	D51101	1	Bearing, Thrust			
18	243B0543	1	O-Ring			
19	D25517	1	Cover, Valve			
20	D25520	1	Lever Ass'Y			
21	243B0541	1	Pin, Spring			
22	D400524	1	Ball Joint ASS'Y			
23	D25518	1	Spring, Detent			
24	243B0548	1	Ball, Steel			
25	243B0547	2	Screw, Socket			
26	243B0546	2	Screw, Socket			
27	243B0567	1	Cable Bracket Assy			
28	243D5474	1	Bracket, Cable			
29	D400525	1	Shim			
30	D25536	1	Clamp			
31	243B0570	2	Screw			
32	243B0569	2	Nut			

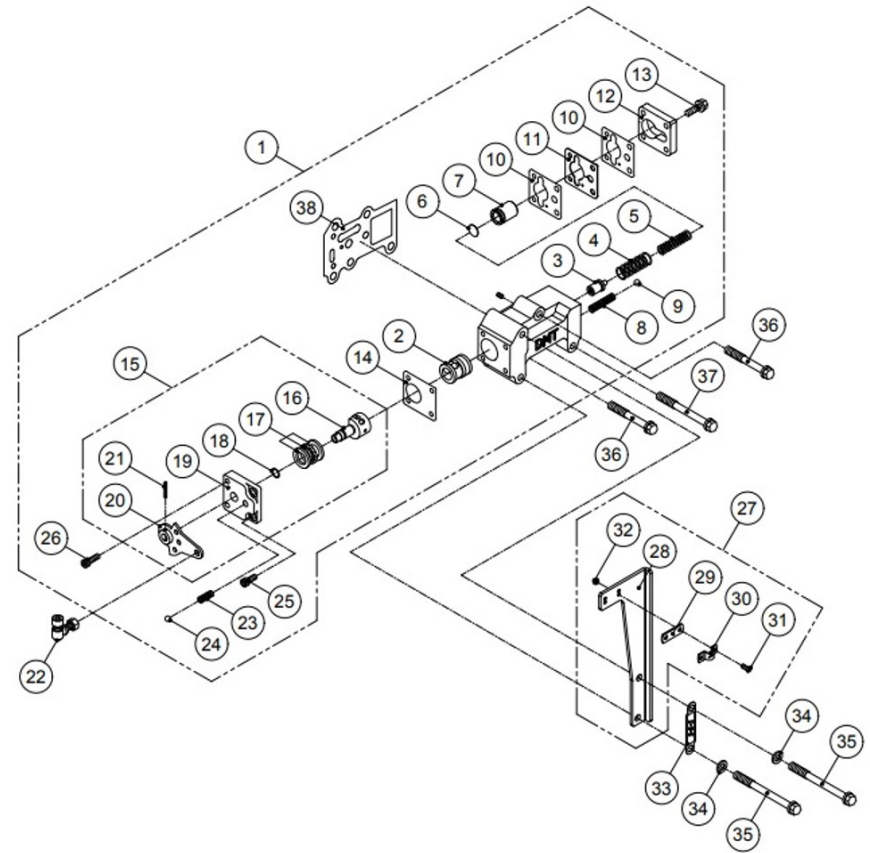


Fig.	Ref.	Qty.	Descr.	Obs	From	UpTo
33	43305068	1	Plate, Name			
34	243B0540	2	Washer			
35	243B0564	2	Screw			
36	243B0562	2	Screw			
37	243B0563	1	Screw			
38	D150527	1	Gasket, Selector Valve			

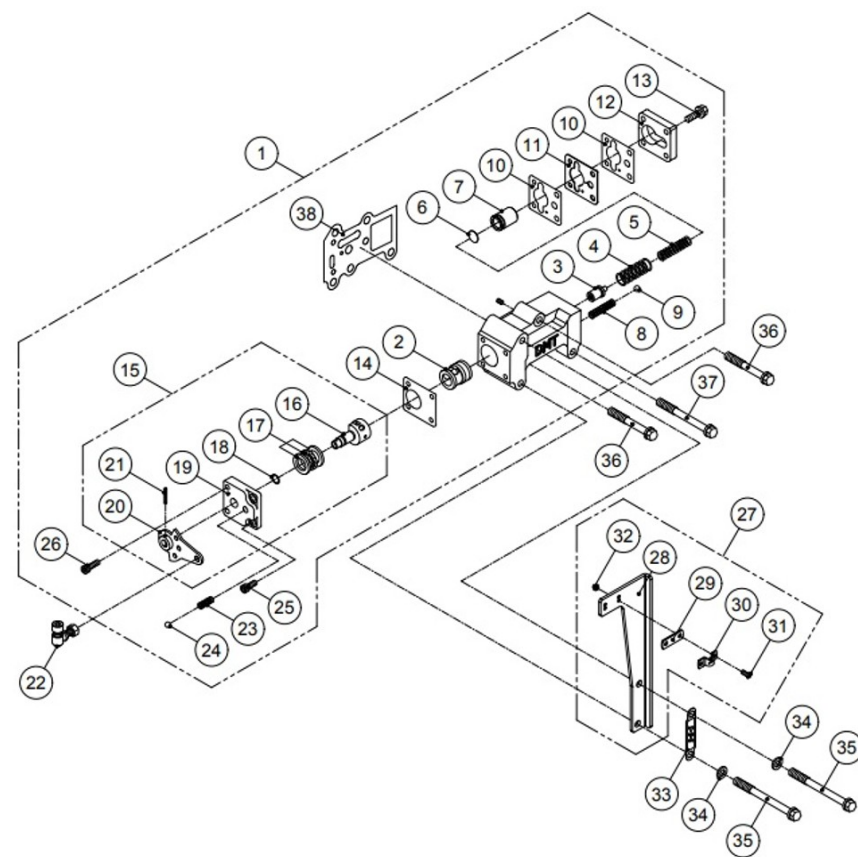


Fig.	Ref.	Qty.	Descr.	Obs	From	UpTo
1A	43306019	1	Oil Cooler Assy			
1B	DST050741	1	Oil Cooler ASS'Y Pf 2"			
2A	DAS050720	1	Oil Cooler Ass'Y			
2B	DAS050741	1	Oil Cooler ASS'Y			
3A	43306027	1	Element Cooler			
3B	43306028	1	Element Cooler			
4A	D150750	2	O-Ring			
4B	D400750	2	O-Ring			
5A	43306021	2	Cooler Cover Assy			
6A	43306024	2	Cover, Cooler			
6B	D260701	2	Cover, Cooler Pf 2"			
7	D150753	2	Zinc Anode ASS'Y			
8A	243D5047	8	Screw			
8B	43306023	8	Screw			
9A	D150031	2	Bracket, Cooler			
9B	43306030	2	Bracket, Cooler			
10	D25028	4	Gasket, Copper			
11A	D070711	1	Hose ASS'Y			
11B	D100710	1	Hose Ass'Y			
12	43306031	2	Bolt, Union			
13A	D070710	1	Hose ASS'Y			
13B	D195712	1	Hose Ass'Y			

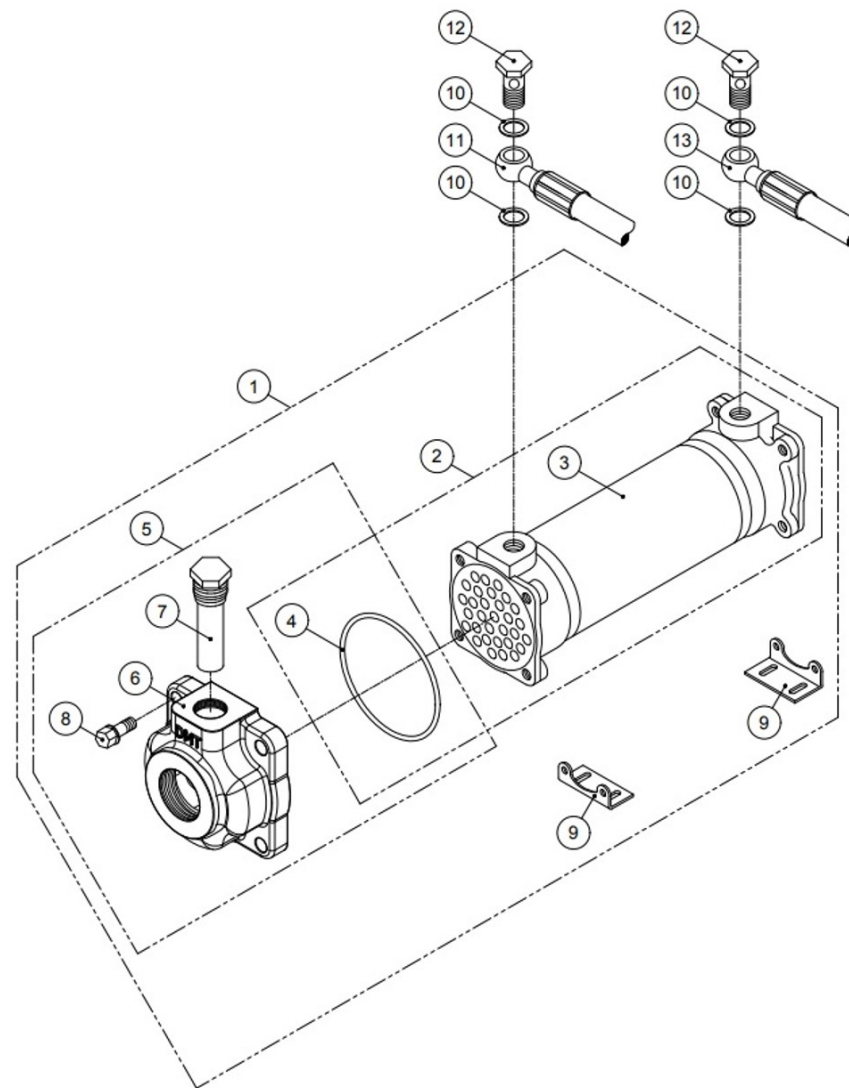
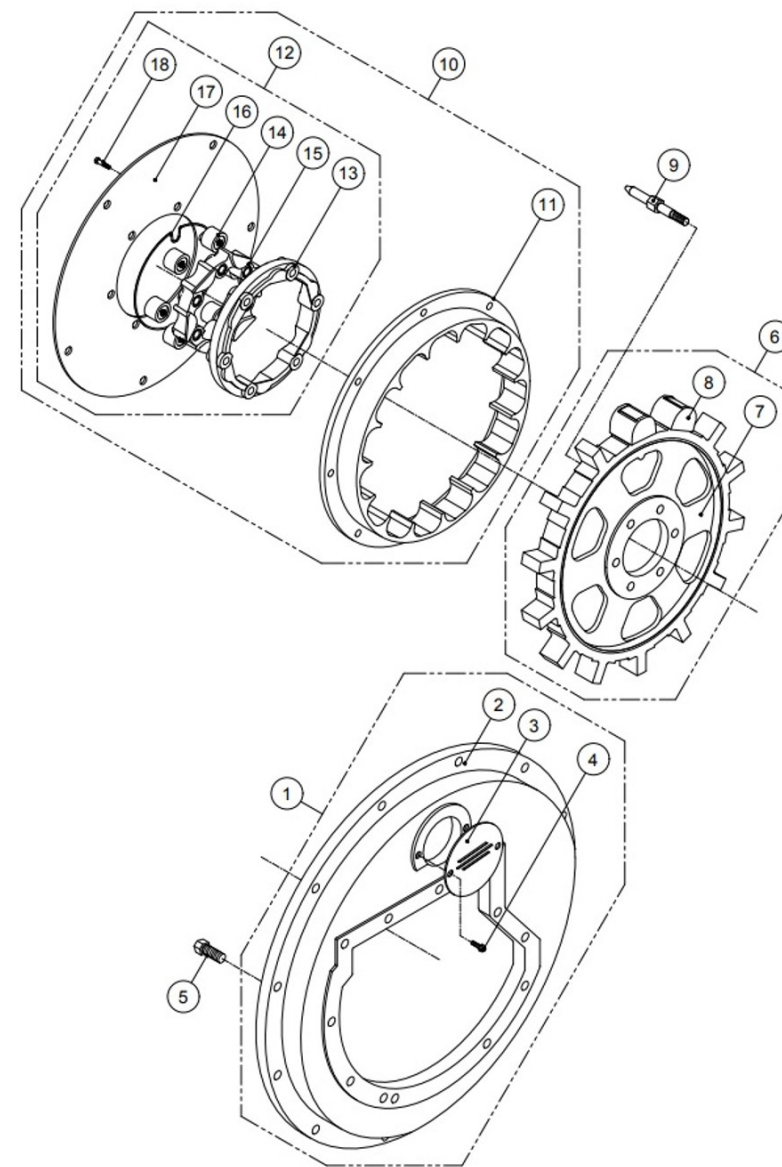
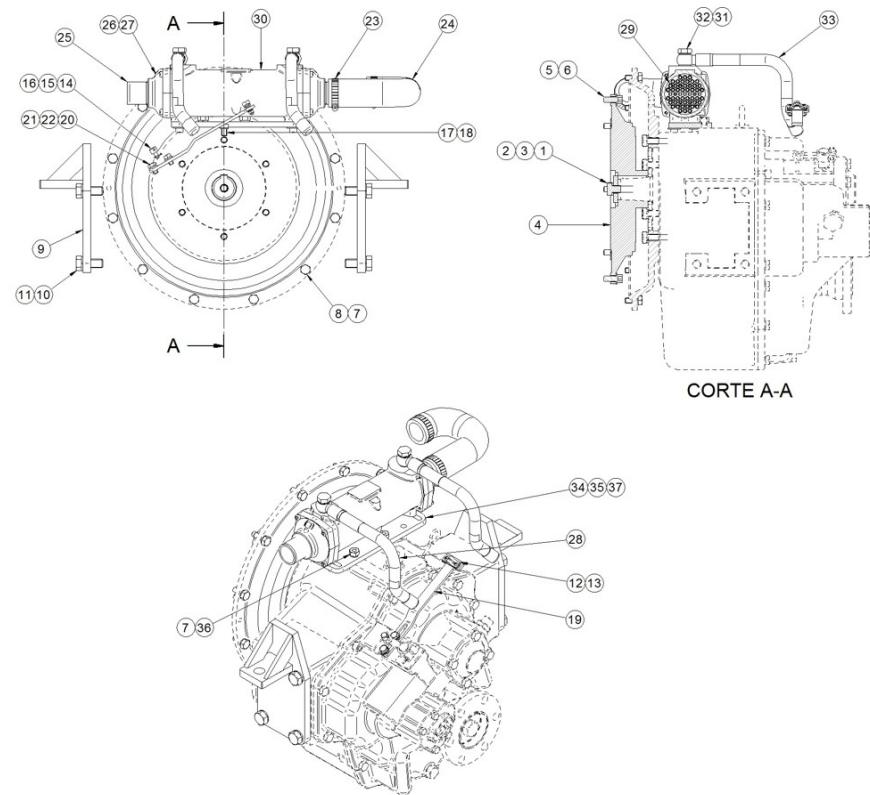


Fig.	Ref.	Qty.	Descr.	Obs	From	UpTo
1	D100903G	1	Housing, Flywheel Ass'Y SAE #3			
2	D100903	1	Housing, Flywheel SAE #3			
3	43306044	1	Cover, Check			
4	43306045	2	Screw			
5	43300044	11	Screw			
6	43306038	1	Spider, Drive Assy			
7	43306039	1	Spider, Drive			
8	43306040	12	Block, Rubber			
9	43306041	6	Bolt, Reamer			
10	43306034	1	Ring, Driving Assy			
11	43306036	1	Driving Ring			
12	43306037	1	Center Ring Assy			
13	D050863T	1	Cover, Rubber			
15	D050861T	1	Ring, Center 11.5"			
16	D050864T	1	Stopper, Center Ring			
17	D050862T	1	Plate 11.5"			
18	43306035	12	Bolt, Reamer			



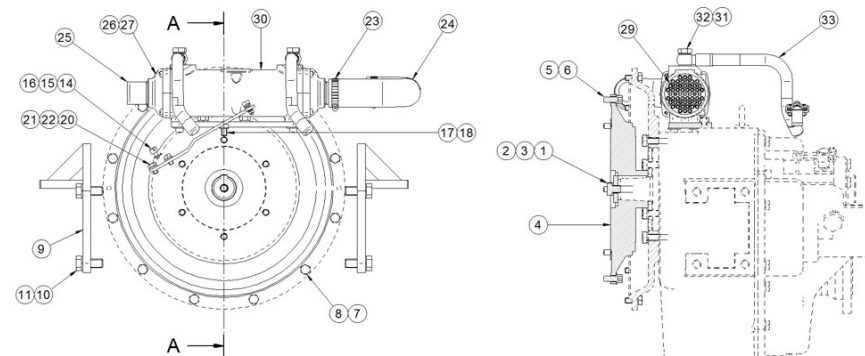
19410202 Kit GearBox TM-265/A

Fig.	Ref.	Qty.	Descr.	Obs	From	UpTo
1	52102411	1	Bolt DIN 933 M14-40 8.8			
2	53033014	1	Washer GROWER DIN 127-14			
3	24840021	1	Washer			
4	19410070	1	Flexible coupling CFR 136 11"1/2 TM-265/A			
5	53038010	8	Washer DIN 6798-A 10			
6	52103308	8	Bolt DIN 912 M10-25 8.8			
7	53033010	14	Washer GROWER DIN 127-10			
8	52102308	12	Bolt DIN 933 M10-25 8.8			
9	19610007	2	Bracket,REVERSE TM 265			
10	52102461	8	Bolt DIN 933 M16-40 8.8			
11	53033016C	8	Washer			
12	24810913	1	Clamp,CABLE			
13	51030005	2	Washer DIN 125-5			
14	14719115	1	Coupling,cable			
15	51030006	4	Washer DIN 125-6			
16	51051107	1	Pin DIN-94 1,6-16			
17	52102306	1	Bolt DIN 933 M10-15 8.8			
18	56000061	1	Washer 10-16-1,5			
19	18619020	1	Bracket,Gear box control			
20	52102256	2	Bolt DIN 933 M8-16 8.8			
21	53033008	2	Washer GROWER DIN 127-8			
22	51030008	2	Washer DIN 125-8			
23	54082032	2	Clamp DIN 3017 32-50/12 W4			
24	19411034	1	Pipe, Rubber			
25	19411048	1	Coupling			
26	52103158	8	Bolt DIN 912 M6-25 8.8			
27	19412003	2	Water Cooler Cover			
28	19412018	1	Pipe, rev.oil Cooler			
29	14712003	1	Tubular Bundle			
30	14712001	1	Body,cooler			
31	57000375	4	Washer 17-22-1,5			



19410202 Kit GearBox TM-265/A

Fig.	Ref.	Qty.	Descr.	Obs	From	UpTo
32	14712015	2	Bolt,Coupling pipe oil			
33	17112024	1	Pipe, rev.oil Cooler			
34	19012019	1	Bracket, Cooler Oil			
35	52103257	4	Bolt DIN 912 M8-20 8.8			
36	52120010	2	Nut DIN 934 M10 8.8			
37	51031008	4	Washer DIN 9021 8			
38	16511009	1	Elbow			
NS	14712004	2	O-Ring D. 72X4			

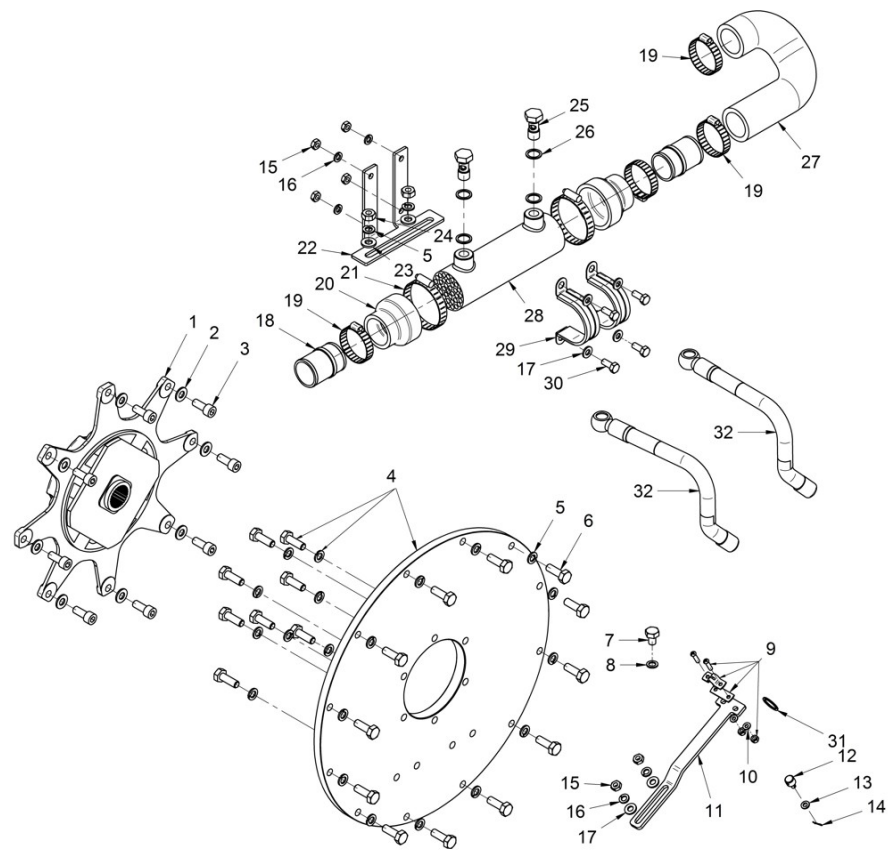


CORTE A-A



19410200.1 Kit GearBox TM-170/170A/880A

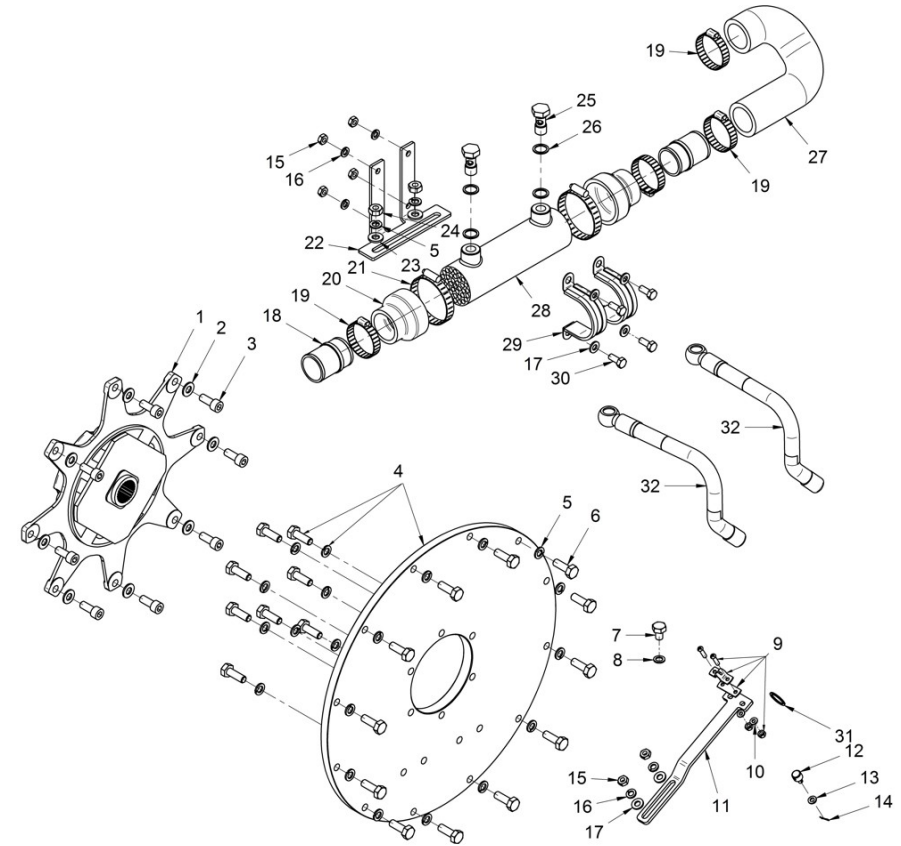
Fig.	Ref.	Qty.	Descr.	Obs	From	UpTo
1	16510170	1	Flexible coupling type C SAE 11"1/2			
2	53038010	8	Washer DIN 6798-A 10			
3	52103308	8	Bolt DIN 912 M10-25 8.8			
4	24810021	1	SAE 3 housing TM-93/A/170/880A (H=12,5 mm)			
5	53033010	14	Washer GROWER DIN 127-10			
6	52102309	12	Bolt DIN 933 M10-30 8.8			
7	52102306	1	Bolt DIN 933 M10-15 8.8			
8	56000061	1	Washer 10-16-1,5			
9	24810913	1	Clamp,CABLE			
10	51030005	2	Washer DIN 125-5			
11	18619020	1	Bracket,Gear box control			
12	14719115	1	Coupling,cable			
13	51030006	4	Washer DIN 125-6			
14	51051107	1	Pin DIN-94 1,6-16			
15	52120008	6	Nut DIN 934 M8 8.8			
16	53033008	6	Washer GROWER DIN 127-8			
17	51030008	6	Washer DIN 125-8			
18	19411049	2	Coupling			
19	54082032	4	Clamp DIN 3017 32-50/12 W4			
20	19412002	2	Water Cooler Cover			
21	54082050	2	Clamp DIN 3017 50-70/12 W4			
22	18012041	1	Bracket,TM93/170 oil cooler			
23	51030010	2	Washer DIN 125-10			
24	52120010	2	Nut DIN 934 M10 8.8			
25	14712015	2	Bolt,Coupling pipe oil			
26	59031017	4	Washer			
27	19411034	1	Pipe, Rubber			
28	1A012051	1	Cooler,oil			
29	59072604	2	Clamp			
30	52102257	4	Bolt DIN 933 M8-20 8.8			
31	56000083	1	Washer 21-26-1,5			





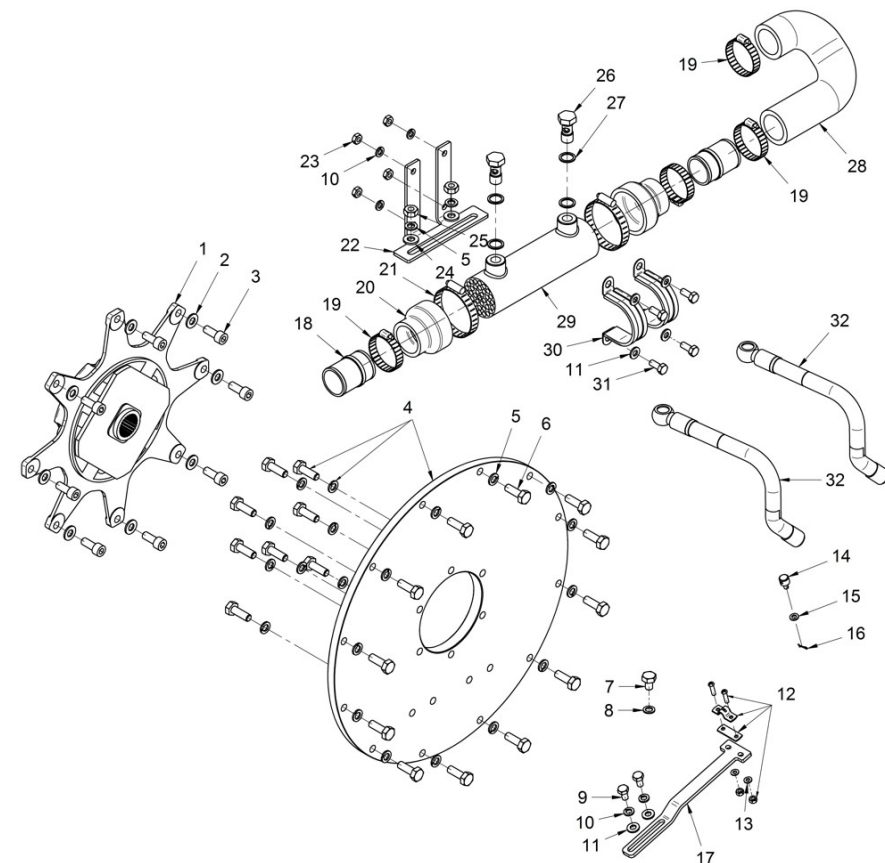
19410200.1 Kit GearBox TM-170/170A/880A

Fig.	Ref.	Qty.	Descr.	Obs	From	UpTo
32	17112024	2	Pipe, rev.oil Cooler			



19410210.1 Kit GearBox TM-93

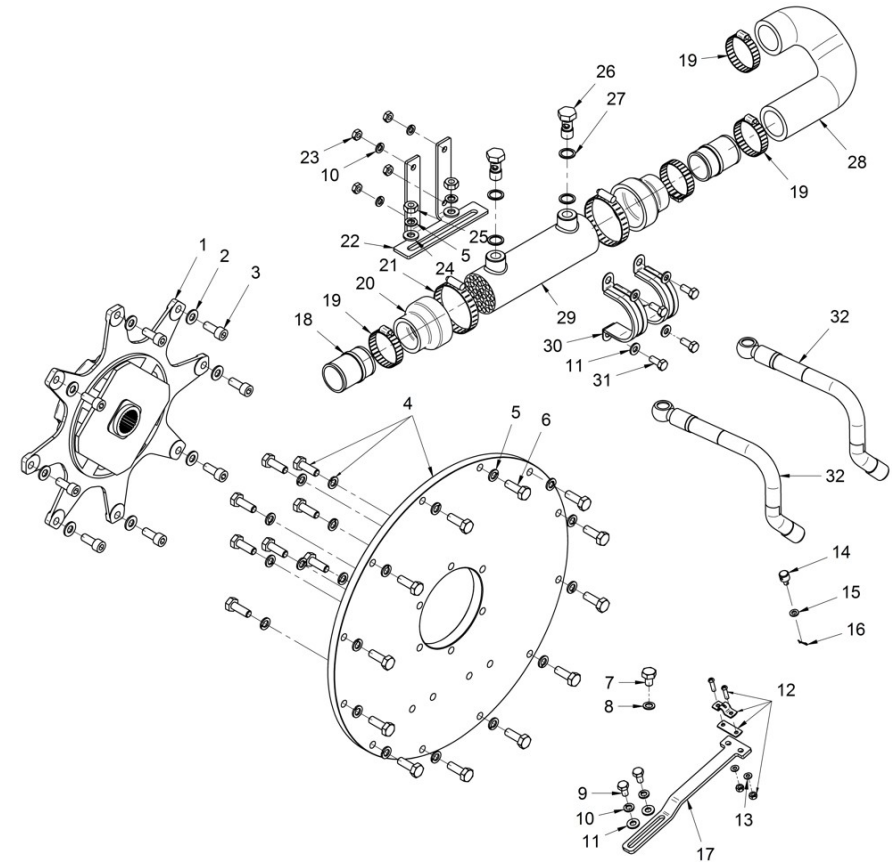
Fig.	Ref.	Qty.	Descr.	Obs	From	UpTo
1	16510170	1	Flexible coupling type C SAE 11"1/2			
2	53038010	8	Washer DIN 6798-A 10			
3	52103308	8	Bolt DIN 912 M10-25 8.8			
4	24810021	1	SAE 3 housing TM-93/A/170/880A (H=12,5 mm)			
5	53033010	14	Washer GROWER DIN 127-10			
6	52102309	12	Bolt DIN 933 M10-30 8.8			
7	52102306	1	Bolt DIN 933 M10-15 8.8			
8	56000061	1	Washer 10-16-1,5			
9	52102256	2	Bolt DIN 933 M8-16 8.8			
10	53033008	6	Washer GROWER DIN 127-8			
11	51030008	6	Washer DIN 125-8			
12	24810913	1	Clamp,CABLE			
13	51030005	2	Washer DIN 125-5			
14	14719115	1	Coupling,cable			
15	51030006	6	Washer DIN 125-6			
16	51051107	1	Pin DIN-94 1,6-16			
17	18619020	1	Bracket,Gear box control			
18	19411049	2	Coupling			
19	54082032	4	Clamp DIN 3017 32-50/12 W4			
20	19412002	2	Water Cooler Cover			
21	54082050	2	Clamp DIN 3017 50-70/12 W4			
22	18012041	1	Bracket,TM93/170 oil cooler			
23	52120008	4	Nut DIN 934 M8 8.8			
24	51030010	2	Washer DIN 125-10			
25	52120010	2	Nut DIN 934 M10 8.8			
26	14712015	2	Bolt,Coupling pipe oil			
27	59031017	4	Washer			
28	19411034	1	Pipe, Rubber			
29	1A012051	1	Cooler,oil			
30	59072604	2	Clamp			
31	52102257	4	Bolt DIN 933 M8-20 8.8			



19410210.1 Kit GearBox TM-93

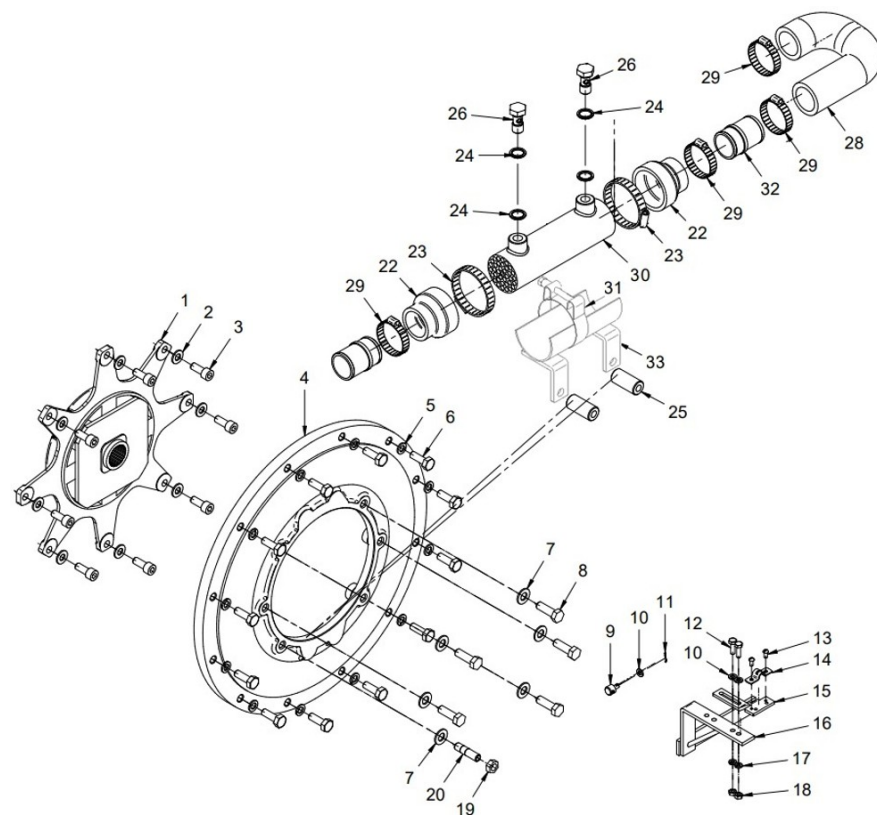
Fig.	Ref.	Qty.	Descr.	Obs	From	UpTo
------	------	------	--------	-----	------	------

32	17112024	2	Pipe, rev.oil Cooler			
----	----------	---	----------------------	--	--	--



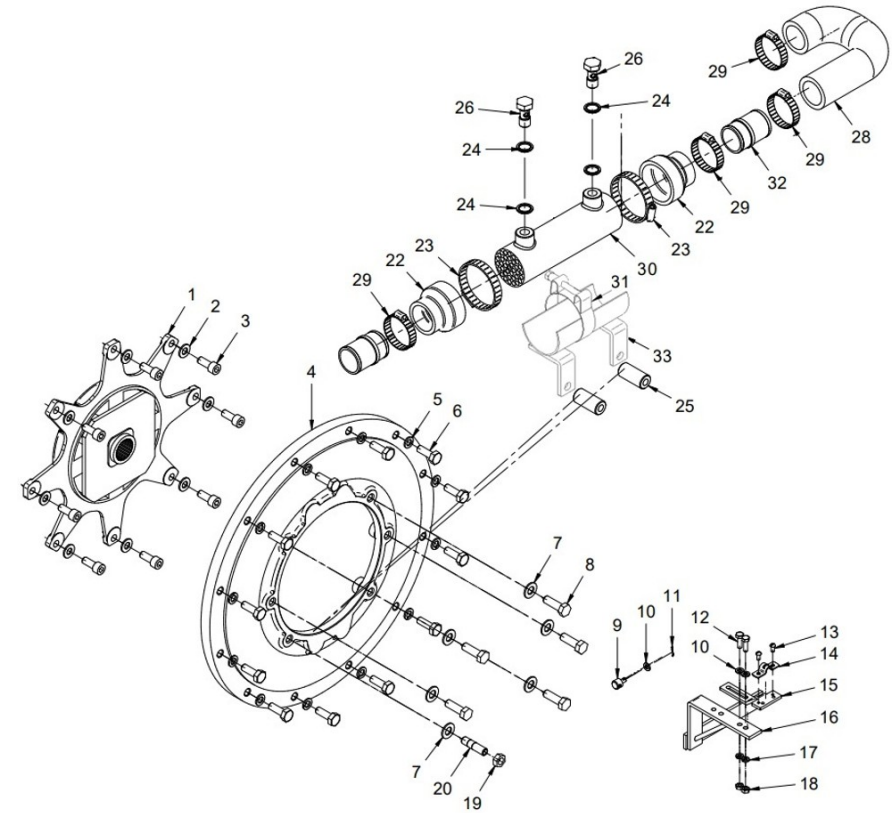
19410255 Kit GearBox ZF 68 IV (MAX 3000H/YEAR)

Fig.	Ref.	Qty.	Descr.	Obs	From	UpTo
1	16510170	1	Flexible coupling type C SAE 11"1/2			
2	53038010	8	Washer DIN 6798-A 10			
3	52103308	8	Bolt DIN 912 M10-25 8.8			
4	14910012	1	SAE 3 housing gearbox			
5	53033010	14	Washer GROWER DIN 127-10			
6	52102309	12	Bolt DIN 933 M10-30 8.8			
7	53038012	6	Washer DIN 6798-A 12			
8	52302310	4	Bolt DIN 933 W7/16-35 8.8			
9	14719115	1	Coupling,cable			
10	51030006	7	Washer DIN 125-6			
11	51051107	1	Pin DIN-94 1,6-16			
12	52102157	2	Bolt DIN 933 M6-20 8.8			
13	55307104	2	Bolt DIN 86 W3/16-10			
14	14719013	1	Clamp,cable			
15	12119021	1	SUPPORT Clamp			
16	16519020	1	Bracket, Gear box control			
17	53033006	2	Washer GROWER DIN 127-6			
18	52120006	2	Nut DIN 934 M6 8.8			
19	52320716	1	Nut DIN 934 W 7/16 8.8			
20	17510004	1	Stud 7/16Wx44			
22	19412002	2	Water Cooler Cover			
23	54082050	2	Clamp DIN 3017 50-70/12 W4			
24	59031017	4	Washer			
25	17017102	2	Spacer 10,5X22X46			
26	14712015	2	Bolt,Coupling pipe oil			
28	19411034	1	Pipe, Rubber			
29	54082032	4	Clamp DIN 3017 32-50/12 W4			
30	1A012051	1	Cooler,oil			
31	51083060	1	GP Clamp 59-63 W2			
32	19411049	2	Coupling			
33	16512010	1	Bracket,oil cooler			



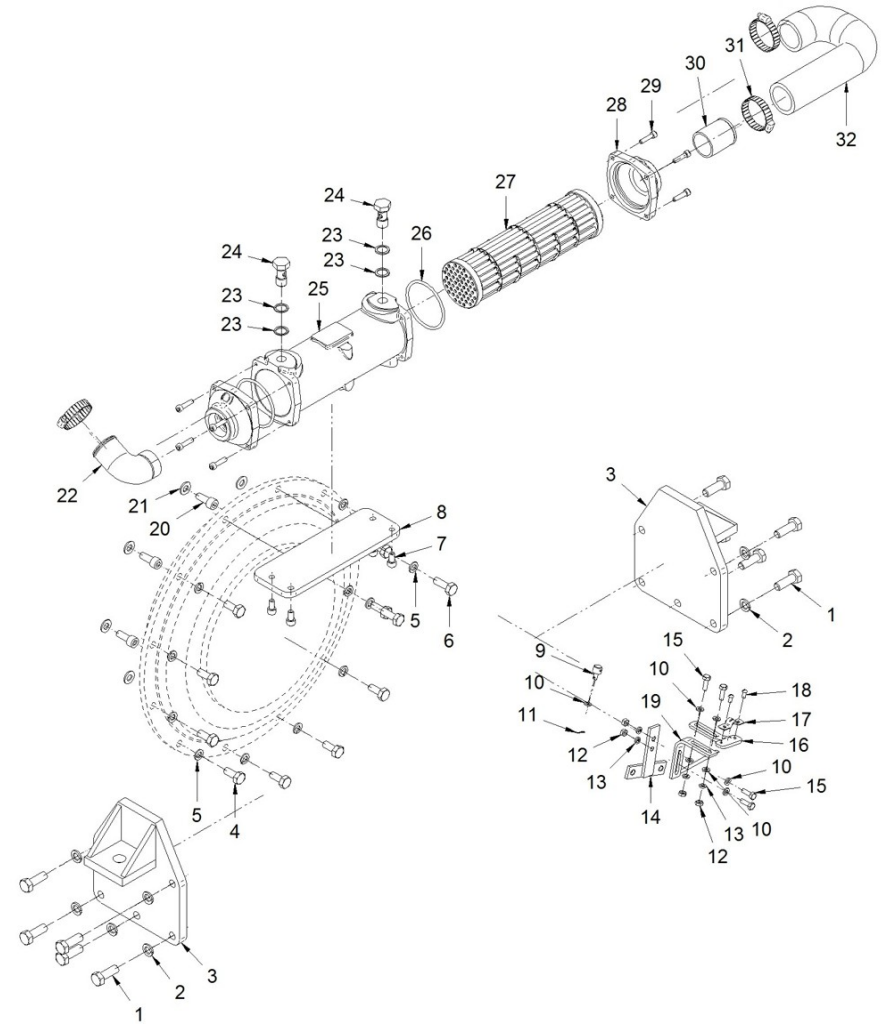
19410255 Kit GearBox ZF 68 IV (MAX 3000H/YEAR)

Fig.	Ref.	Qty.	Descr.	Obs	From	UpTo
NS	18512024	2	Pipe			



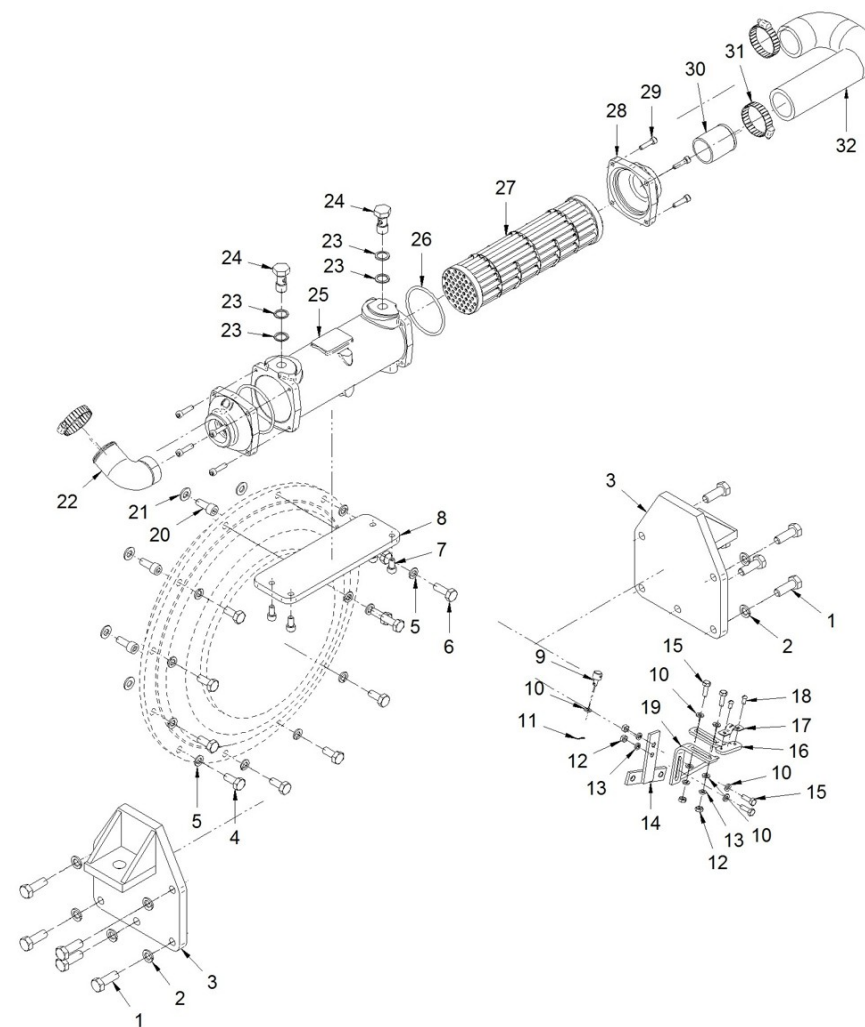
19510220.1 Kit GearBox TM-200B

Fig.	Ref.	Qty.	Descr.	Obs	From	UpTo
1	52102360	10	Bolt DIN 933 M12-35 8.8			
2	53033012	10	Washer Grower DIN 127-12			
3	16710005	2	Bracket,TM200 reverse			
4	52102308	10	Bolt DIN 933 M10-25 8.8			
5	53033010	12	Washer GROWER DIN 127-10			
6	52102309	2	Bolt DIN 933 M10-30 8.8			
7	52103256	4	Bolt DIN 912 M8-16 8.8			
8	19412019	1	Bracket, Cooler Oil			
9	14719115	1	Coupling,cable			
10	51030006	10	Washer DIN 125-6			
11	51051107	1	Pin DIN-94 1,6-16			
12	52120006	4	Nut DIN 934 M6 8.8			
13	53033006	4	Washer GROWER DIN 127-6			
14	19119001	1	Bracket			
15	52102157	4	Bolt DIN 933 M6-20 8.8			
16	13319004	1	Bracket,adjustment morse engin			
17	14719013	1	Clamp,cable			
18	55307104	2	Bolt DIN 86 W3/16-10			
19	12119020	1	Bracket,Gear box control			
20	52103308	8	Bolt DIN 912 M10-25 8.8			
21	53038010	8	Washer DIN 6798-A 10			
22	16511009	1	Elbow			
23	57000375	4	Washer 17-22-1,5			
24	14712015	2	Bolt,Coupling pipe oil			
25	14712001	1	Body,cooler			
26	14712004	2	O-Ring D. 72X4			
27	14712003	1	Tubular Bundle			
28	19412003	2	Water Cooler Cover			
29	52103158	8	Bolt DIN 912 M6-25 8.8			
30	19411048	1	Coupling			
31	54082032	2	Clamp DIN 3017 32-50/12 W4			



19510220.1 Kit GearBox TM-200B

Fig.	Ref.	Qty.	Descr.	Obs	From	UpTo
32	18211013.1	1	Rubber Elbow D.40			
NS	19412018	1	Pipe, rev.oil Cooler			
NS	19412020	1	Pipe, rev.oil Cooler			
NS	M87504252	0.0	Water Intake Hose (HQ) D. 42-52			





19410211.1 Kit GearBox DONG-I DMT100HL/90A

Fig.	Ref.	Qty.	Descr.	Obs	From	UpTo
1	53033010	20	Washer GROWER DIN 127-10			
2	52103308	8	Bolt DIN 912 M10-25 8.8			
3	52102309	10	Bolt DIN 933 M10-30 8.8			
4	52120010	2	Nut DIN 934 M10 8.8			
5	16713011	2	Stud			
6	19410007	2	Bracket Inv. DONG-I-I			
7	16511009	2	Elbow			
8	54082040	2	Clamp DIN 3017 40-60/12 W4			
NS	M87504252	1.0	Water Intake Hose (HQ) D. 42-52			

