



Engine SM-82

VERSION 2024-5

PART LIST



PARTS LIST CATALOGUE

NORMS TO PLACE AN ORDER

For fast and more efficient service, please specify the following information on spare parts orders that must be preferably done by e-mail as specified below:

- 1- Engine model: As shown in identification plate
- 2- Engine serial number: As shown in identification plate and stamped on crankcase
- 3- Item description + part number + quantity required

Spare parts requests must be addressed to :

orders@solediesel.com

Telf.: +34 93 775 44 05

The components shown in the catalog have:

- Figure: Number by which they are represented in scheme
- Description: Trade name of the component
- Quantity: Total number of parts used in the assembly of the part represented (may differ from the total minimum quantities)

Hoses, indicates the total length in meters

The diagrams shown in this catalog of spare parts, have only the purpose to identify the piece in question, its representation is not meaningful and may differ from the actual piece.

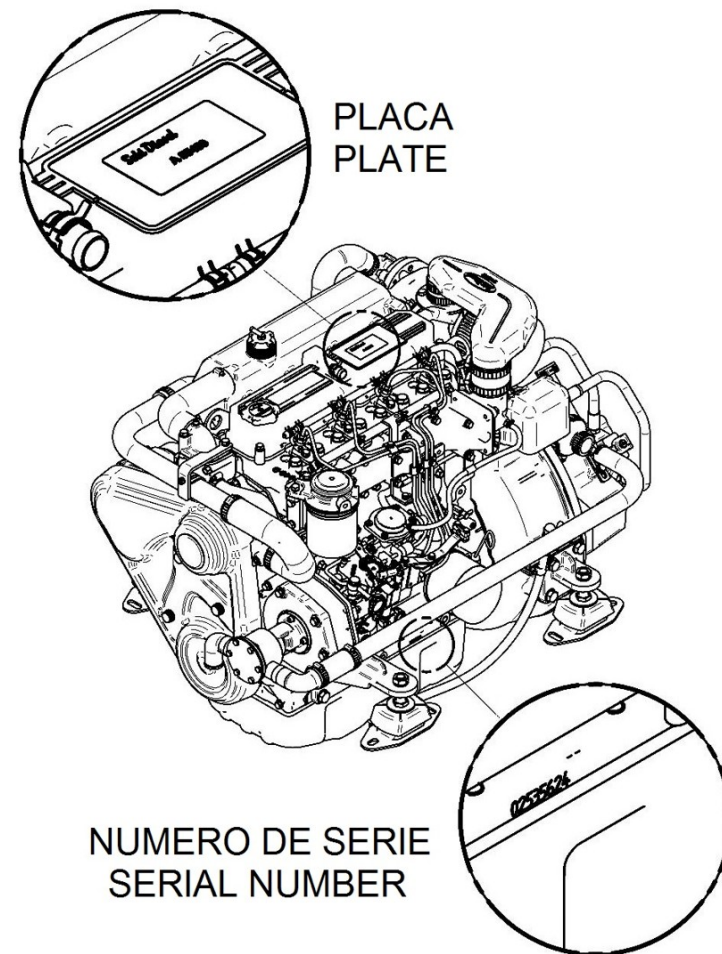
In case of doubt, contact Solé Diesel, or your authorized dealer.

The parts i / or references in this catalog are subject to change without notice.

SOLE, S.A.

C-243b, km, 2

08760 Martorell (Barcelona) Spain



PLACA
PLATE

NUMERO DE SERIE
SERIAL NUMBER

Index

Engine Body

Cylinder Head
 Rocker Cover & Breather
 Valve Drive
 Timing Parts
 Gear Case
 Crankcase
 Rear Plate
 Piston & Connecting Rod
 Crankshaft & Flywheel
 Oil System
 Oil Pan
 Engine Brackets
 Bracket, Engine Control
 Oil cooler
 Belt Protection

Inlet & Exhaust

Inlet
 Turbocharger
 Spare parts, Turbocharger

Cooling System

Water Pump
 Cooler Pipes
 Water Cooler Assy SM-82
 Cross Brace Pump 1" SM-82/94 Gen.SM-81
 Wet Exhaust

Fuel System

Fuel Pipe
 Injection Nozzle
 Fuel Supply Parts

12V Electrical System

Electrical Wiring
 Kit Alternador 14V/95A
 Starter
 Spare Parts Starter
 SVT 30 SM-82/94 Panel
 Panel SSG 30 Spare Parts
 Engine Extension

24V Electrical System

24V Electrical Wiring
 Alternator 28V/55A
 Starter

Gasket Kit
 Pipe Rubber Set, Water Line SM-82/SM-94
 Gasket Kit SM-82/94
 Special Tools
 Special Tools

Gearbox TM-93

Sheet 1.1/4
 Sheet 1.2/4
 Sheet 1.3/4
 Intermediate Shaft 2/4
 Input Shaft 3/4
 Output Shaft 4/4
 Maintenance Kit

Gearbox TM-93A

Sheet 1.1/4
 Sheet 1.2/4
 Sheet 1.3/4
 Intermediate Shaft 2/4
 Input Shaft 3/4
 Output Shaft 4/4

Gearbox TM-170

Sheet 1.1/4
 Sheet 1.2/4
 Sheet 1.3/4
 Input Shaft 2/4
 Intermediate Shaft 3/4
 Output Shaft 4/4
 Maintenance Kit

TM-345 Gearbox

Sheet 1/4
 Sheet 2/4
 Sheet 3/4
 Sheet 4/4
 Maintenance Kit

TM-345A Gearbox

Sheet 1/4
 Sheet 2/4
 Sheet 3/4
 Sheet 4/4
 Maintenance Kit

Gearbox TMC-260

Sheet 1/3
 Sheet 2/3
 Cooling System 3/3

Sheet 1.1/4
 Sheet 1.2/4
 Sheet 1.3/4
 Input Shaft 2/4
 Intermediate Shaft 3/4
 Output Shaft 4/4
 Maintenance Kit

Gearbox TM-485A1

Sheet 1/4
 Sheet 2/4
 Sheet 3/4
 Sheet 4/4
 Maintenance Kit

GearBox ZF-68 IV

Sheet 1/5
 Sheet 2/5
 Sheet 3/5
 Sheet 4/5
 Sheet 5/5

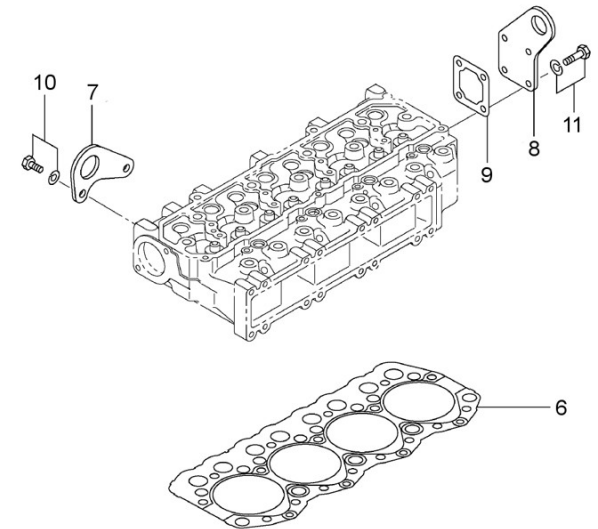
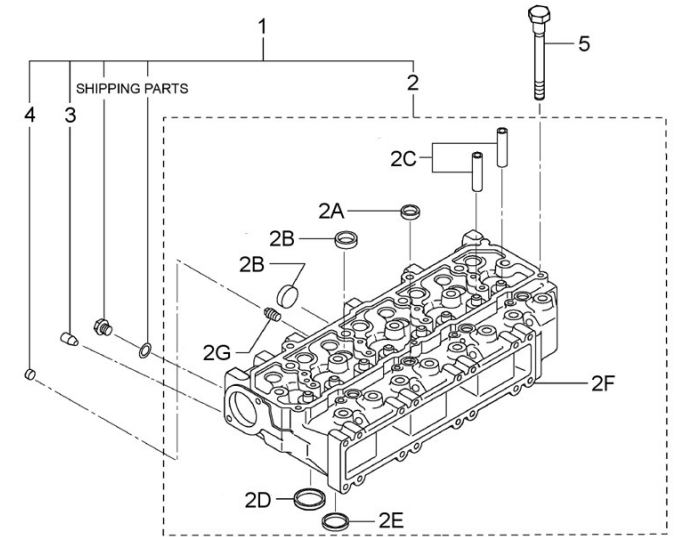
ZF 45-1 Gearbox

Sheet 1/2
 Sheet 2/2

Kit Gearbox

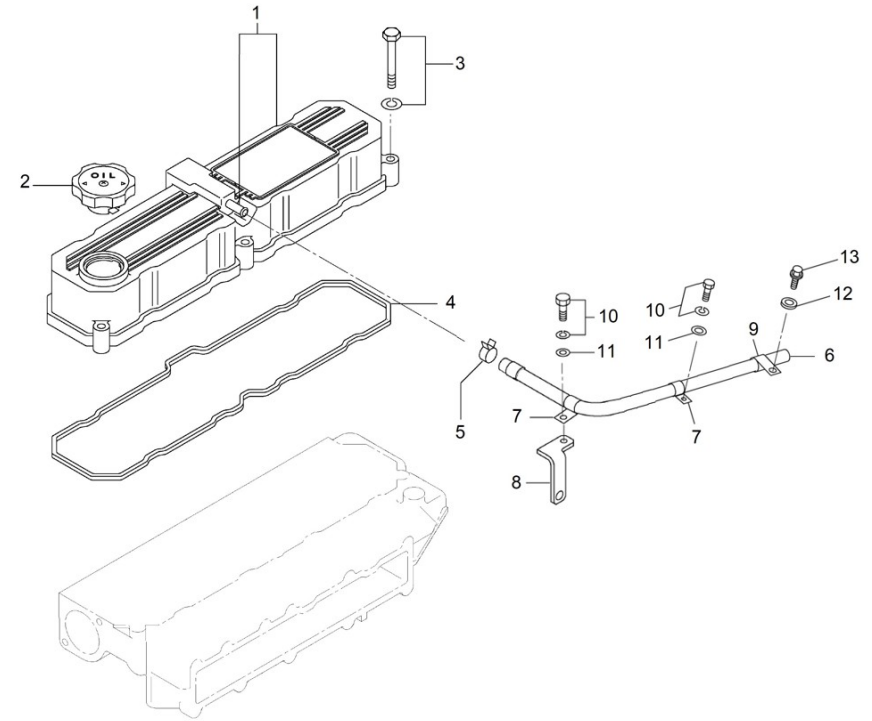
Kit GearBox TM-93/A
 Kit GearBox TM-170/A/880A
 Kit GearBox TM-345/A
 GearBox TMC-260 Kit SM-82/94
 Kit GearBox TM-485A1
 Kit GearBox ZF 68 IV
 Gearbox. ZF-45.1 SAE3 SAE11,5 , Kit

D_MIE1_1_1		Cylinder Head				
Fig.	Ref.	Qty.	Descr.	Obs	From	UpTo
1	17821001	1	Head Assy,Cylinder			
2	(*)	1	Not available			
2A	17220006	12	Cap, Sealing			
2B	13220012	7	Cap Sealing			
2C	17421002	8	Guide,Valve			
2D	17421061	4	Seat,Valve,IN			
2E	17421062	4	Seat,Valve,Exhaust			
2F	(*1)	1	Not available			
2G	17820011	4	Plug, Tapered			
3	17421046G.3	1	Plug			
4	17821015	4	Cap,Sealing			
5	17421005	17	Bolt,cylinder head			
6	17821005	1	Gasket,Cylinder Head			
7	17420014	1	Eye,Lifting,Front			
8	17421018	1	Eye,Lifting;Head Rea			
9	17421011	1	Gasket			
10	17821012	2	Bolt,W/Washer			
11	17421012G.1	4	Bolt W/Washer (Generator)			



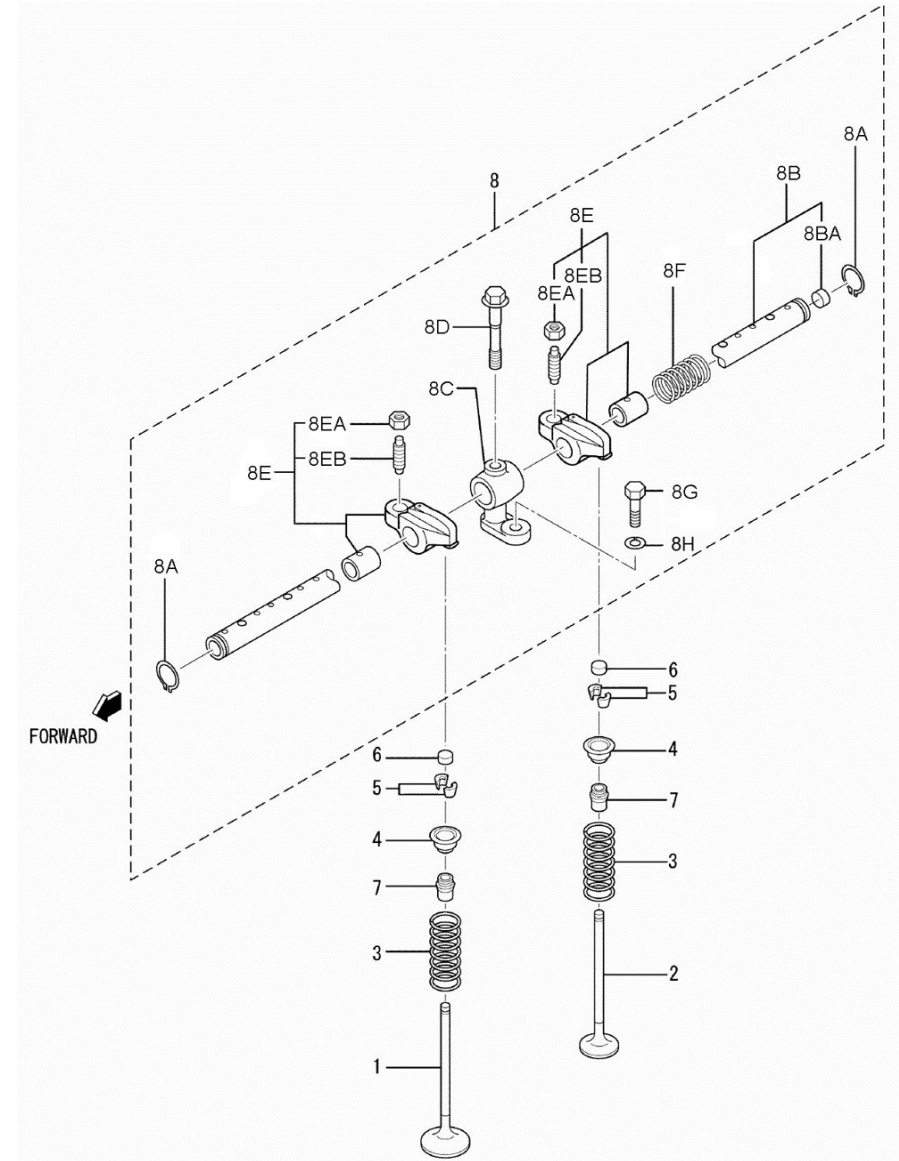
D_MIE1_1_2 **Rocker Cover & Breather**

Fig.	Ref.	Qty.	Descr.	Obs	From	UpTo
1	17821009	1	Cover Assy,Rocker			
2	17821003	1	Cap Oil Filler			
3	17421014G.1	5	Bolt W/Washer (Generator)			
4	17421010	1	Rocker Cover Gasket			
5	17821007	1	Clip,Hose			
6	17821006	1	Hose			
7	17821002	2	Clip			
8	17821011	1	Stay, Breather Hose			
9	17821019	1	Clip			
10	17B21075	2	Bolt Washer A(6X16)			
11	17824034	2	Washer			
12	17124028	1	Retainer			
13	26113012	1	Screw M8X20			



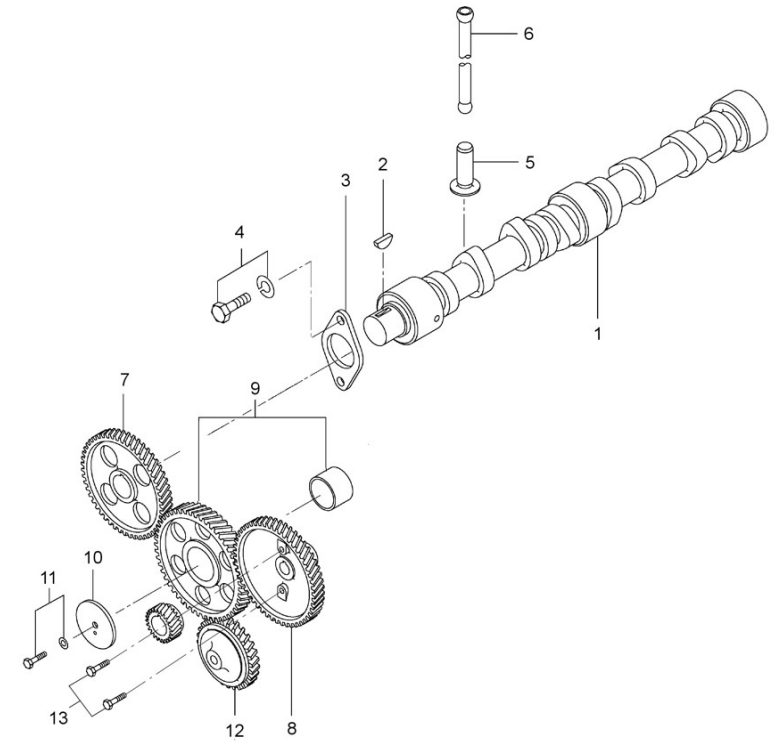
D_MIE1_1_3 Valve Drive

Fig.	Ref.	Qty.	Descr.	Obs	From	UpTo
1	17422055.1	4	Valve,Inlet			
2	17422056	4	Exhaust Valve			
3	13322028	8	Spring, valve outler			
4	17422058	8	Retainer,Upper			
5	17122059.1	16	Cotter,Valve			
6	13322024	8	Cap			
7	17422054	8	Seal,Valve Stem			
8	(*)	1	Not available			
8A	17222050	2	Ring, SNAP			
8B	17422046	1	Shaft Assy,Rocker			
8BA	13322023	2	Cap, Sealing			
8C	17422048	4	Bracket,Rocker Shaft			
8D	17422053	4	Bolt,Rocker Bracket			
8E	17422142.1	8	Rocker Assy			
8EA	17122060	8	Nut			
8EB	17122044	8	Screw Adjusting			
8F	17422047G.1	3	Spring,Rocker			
8G	52102258	4	Bolt DIN 933 M8-25 8.8			
8H	53033008	4	Washer GROWER DIN 127-8			

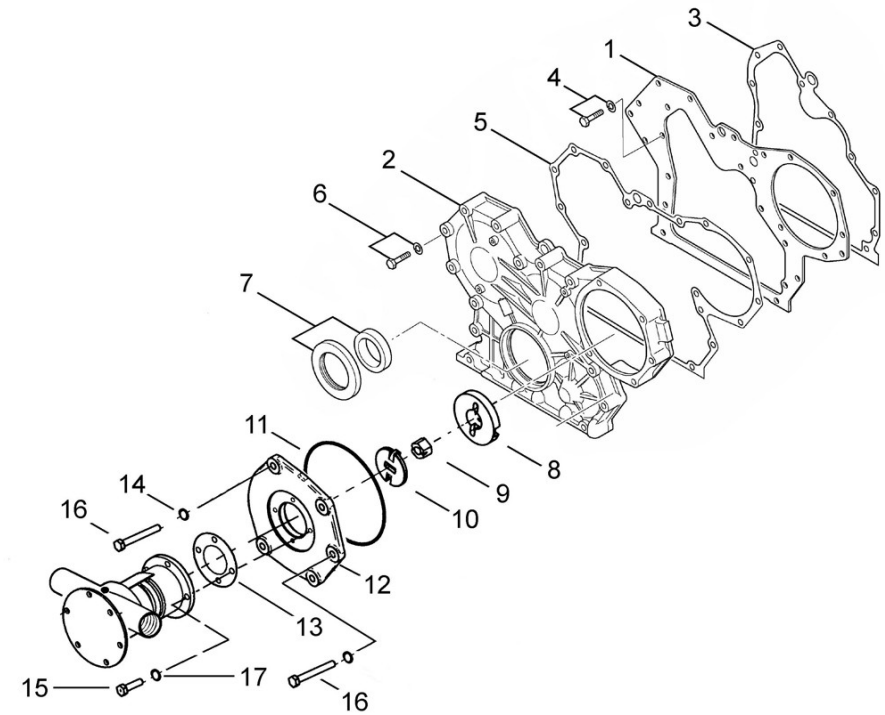


D_MIE1_1_4 Timing Parts

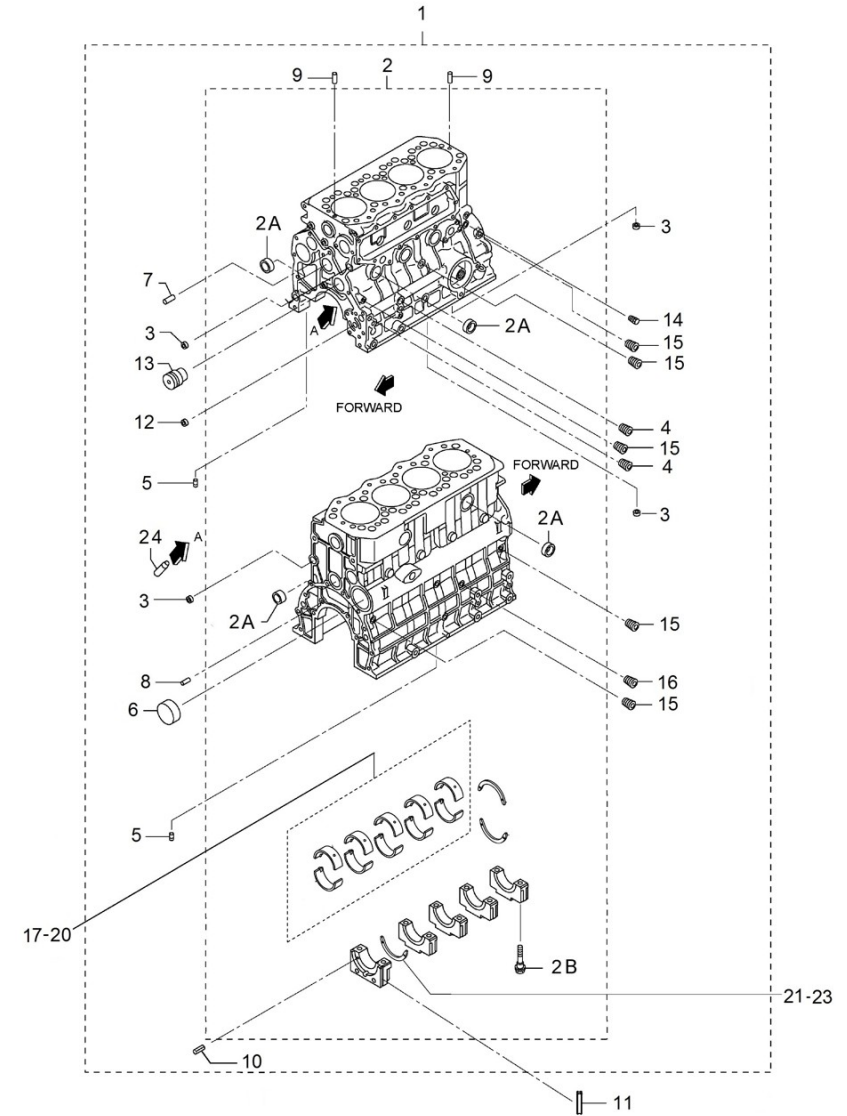
Fig.	Ref.	Qty.	Descr.	Obs	From	UpTo
1	17822035	1	Camshaft			
2	13322034	1	Key Woodruff			
3	17422075	1	Plate,THRUST			
4	17422037G.1	2	Bolt W/Washer (Generator)			
5	17122061	8	Tappet			
6	17122041	8	Rod, push			
7	17422037	1	Gear,CamShaft Z=46			
8	17810023	1	Gear, drive			
9	17822038	1	Gear,IDLER Assy Z=49			
10	17122032	1	Plate, thrust			
11	17720010	1	Bolt,W/Washer			
12	17422066	1	Gear,Oil Pump Z=31			
13	52103256	2	Bolt DIN 912 M8-16 8.8			



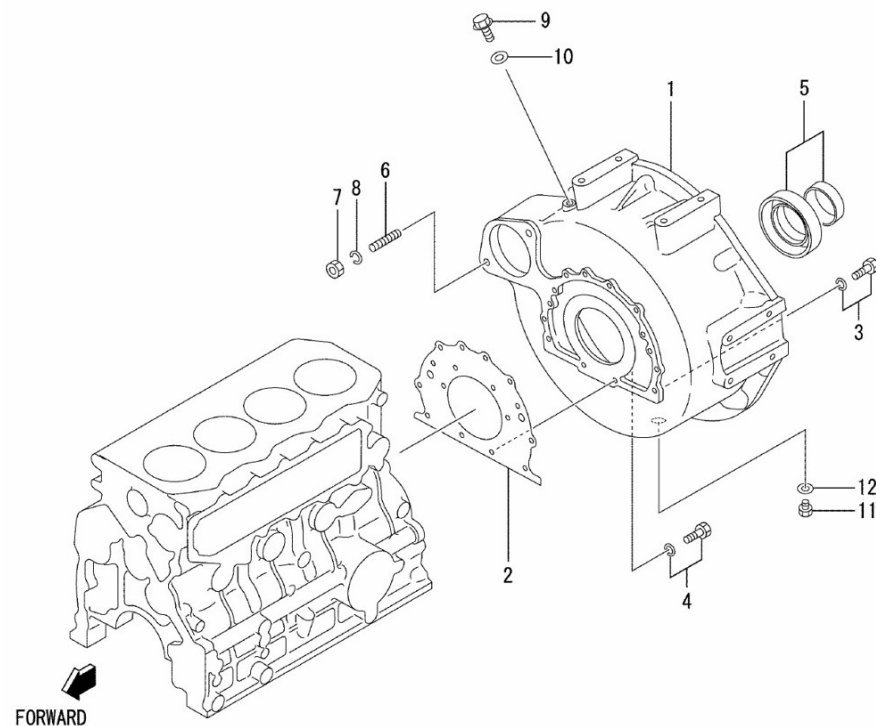
D_MIE1_1_5		Gear Case				
Fig.	Ref.	Qty.	Descr.	Obs	From	UpTo
1	17420024G.1	1	Plate,Front (Generator)			
2	17420035G	1	Case,TIMING Gear			
3	17420018	1	Gasket,Front Plate			
4	17422037G.1	5	Bolt W/Washer (Generator)			
5	17420040	1	Gasket,Gear			
6	17520047	13	Bolt,W/Washer			
7	17420039.1	1	Seal Assy,Oil			
8	17811026	1	DriveR Plate,water pump			
9	17825002	1	Nut			
10	15310072	1	CrossHead Jaw Coupling			
11	17420047	1	O-Ring D. 140X2			
12	17810010	1	Block Water Pump			
13	13310013	1	Gasket,water pump			
14	53038008	5	Washer DIN 6798-A 8		26/06/2017	
15	52103156	4	Bolt DIN 912 M6-16 8.8			
16	52101269	5	Bolt DIN 931 M8-80 8.8			
17	51030006	4	Washer DIN 125-6			



D_MIE1_1_6		Crankcase			
Fig.	Ref.	Qty.	Descr.	Obs	From UpTo
1	17820001	1	Crankcase Assy		
2	(*)	1	Not available		
2A	13320006	10	Cap, Sealing		
2B	17420009	10	Bolt Bearing Cap		
3	13320007	4	Cap, Sealing		
4	17420027G.1	2	Plug,TAPPERED (Generator)		
5	17421046G.3	3	Plug		
6	17420013G.3	1	Plug		
7	17420036	2	Pin,Dowel		
8	13320025	2	Pin		
9	17120019	2	Pin, dowel		
10	17420012	6	Pin,Spring		
11	17420112	2	Seal,Valve		
12	17420011G.3	1	Bushing		
13	17420034	1	Shaft,IDLER		
14	17120022	1	Plug, tapered		
15	17820011	5	Plug, Tapered		
16	17120021	1	Plug,taper		
17	17420003	1	METAL,MAIN Set STD		
18	17420004	1	METAL,MAIN Set -0,25		
19	17420005	1	METAL,MAIN Set -0,50		
20	17420006	1	METAL,MAIN Set -0,75		
21	17420109	3	Plate,THRUST.C/S STD		
22	17420110	3	Plate,THRUST.C/S +0,15		
23	17420111	3	Plate,THRUST.C/S +0,30		
24	17820016	4	Pipe, Oil Jet		

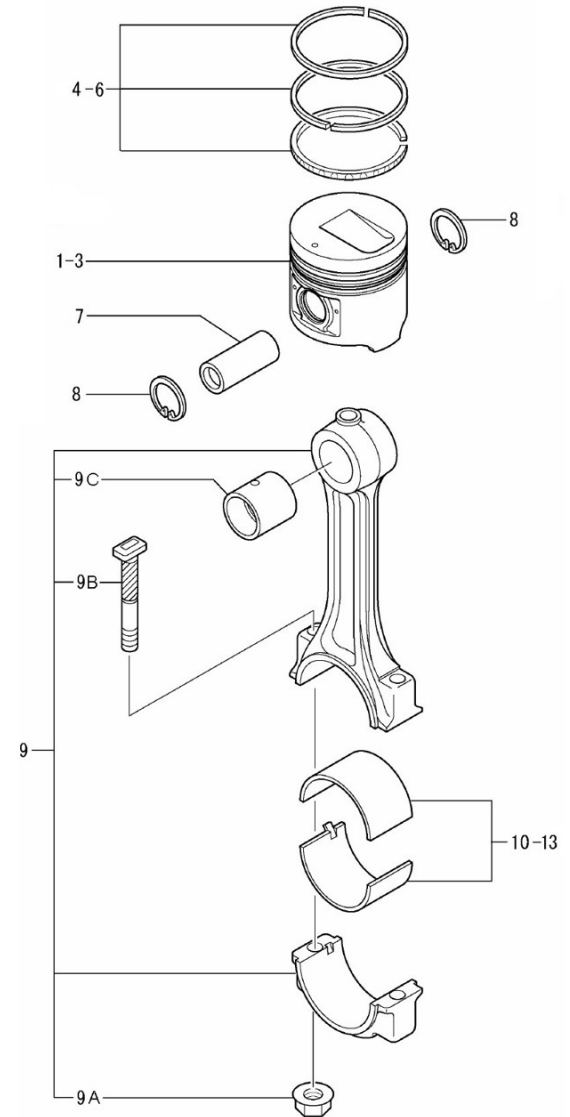


D_MIE1_1_7		Rear Plate				
Fig.	Ref.	Qty.	Descr.	Obs	From	UpTo
1	17820002	1	Flywheel Housing			
2	17420025	1	Gasket,Rear			
3	17327129.2	10	Bolt			
4	17420028G.1	2	Bolt,W/Washer (Generator)			
5	13320063	1	Seal Oil			
6	13320067	2	Stud			
7	17827003	2	Nut			
8	53033010	2	Washer GROWER DIN 127-10			
9	17121016	1	Plug, drain			
10	17121013	1	Gasket			
11	13224045	1	Plug			
12	56000077	1	Washer 18-23-1,5			



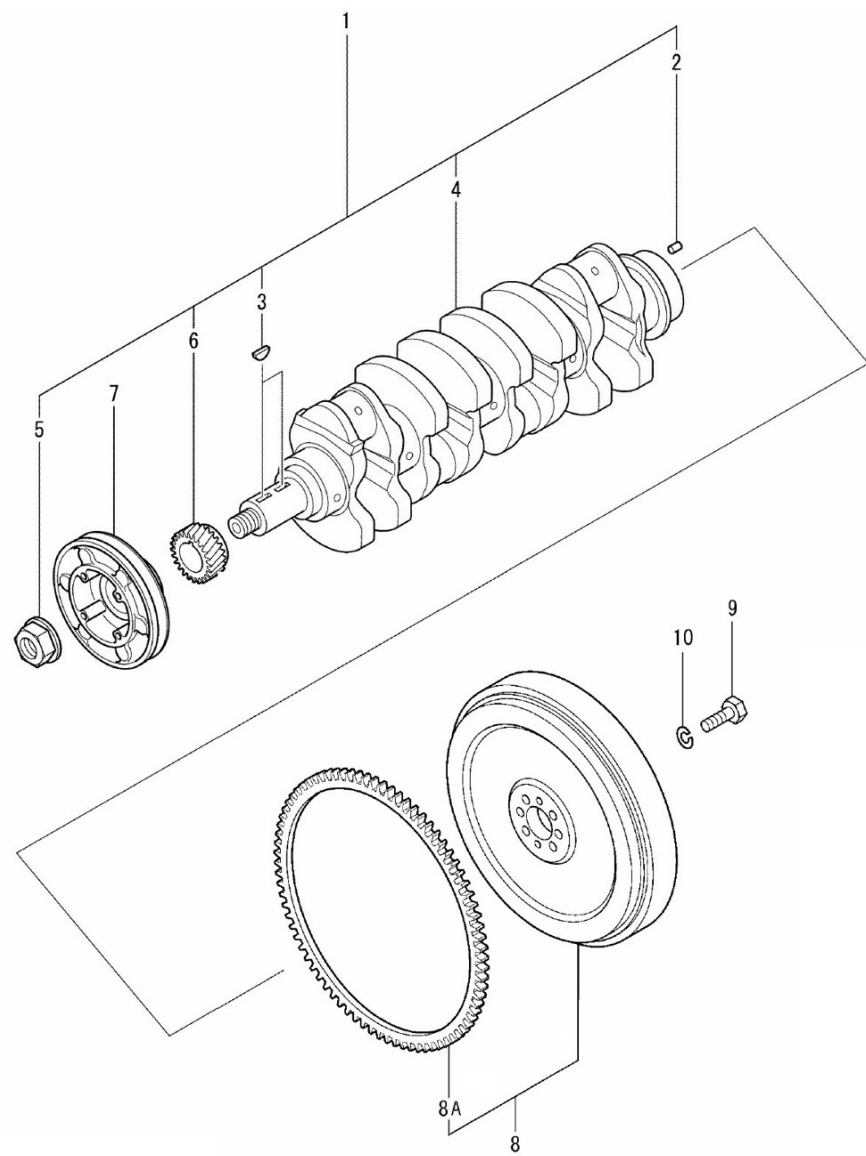
D_MIE1_1_8 Piston & Connecting Rod

Fig.	Ref.	Qty.	Descr.	Obs	From	UpTo
1	17822001	4	Piston STD.			
2	17822002	4	Piston O.S 0,25			
3	17822003	4	Piston O.S 0,50			
4	17822006	4	Ring Set,Piston STD.			
5	17822007	4	Ring Set,Piston 0,25			
6	17822008	4	Ring Set,Piston 0,50			
7	17422009	4	Pin,Piston			
8	17422010	8	Ring,Snap			
9	17822012	4	Rod Assy. Connecting			
9A	17822011	8	Nut			
9B	17122013	8	Bolt,connecting rod			
9C	17422033	4	Bushing,Con-Rod			
10	17422014	1	Bearing Set,Con-Rod,STD.			
11	17422015	1	Bearing Set,Con-Rod,U.S -0,25			
12	17822016	1	Bearing Set, Con-Rod, U.S 0,50			
13	17822017	1	Bearing Set, Con-Rod, U.S 0,75			

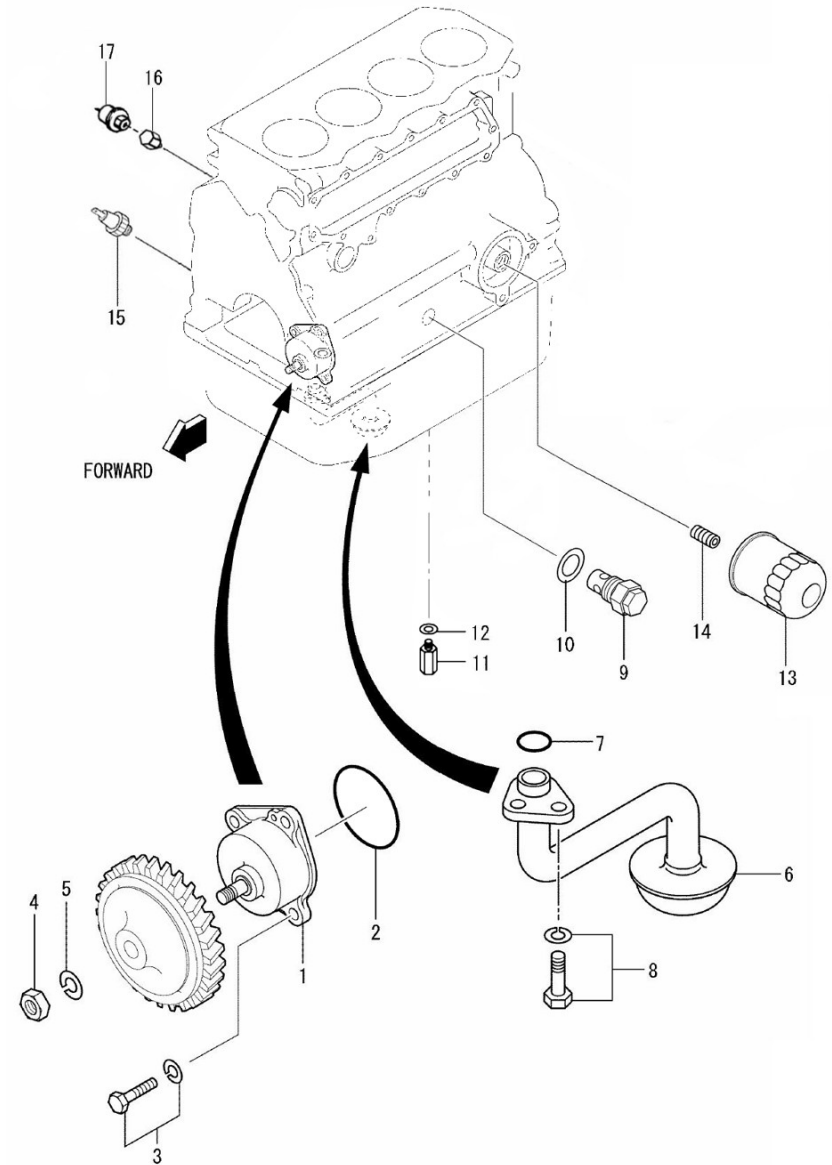


D_MIE1_1_9 Crankshaft & Flywheel

Fig.	Ref.	Qty.	Descr.	Obs	From	UpTo
1	17822018	1	CrankShaft Assy			
2	13322059	2	Pin			
3	13322034	2	Key Woodruff			
4	(*)	1	Not available			
5	17422026	1	Nut,CrankShaft			
6	17822019	1	Gear, CrankShaft			
7	17422024	1	Pulley CrankShaft			
8	17422027	1	Flywheel Assy			
8A	17422029	1	Gear,Ring Z=122			
9	13322065	6	Bolt			
10	53033012	6	Washer Grower DIN 127-12			

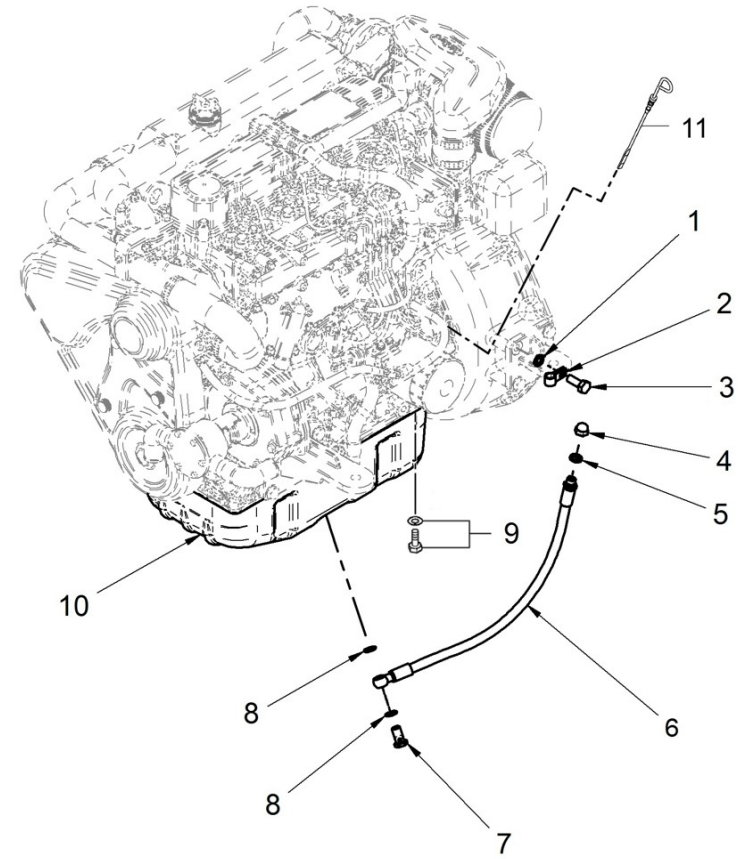


D_MIE1_1_10		Oil System			
Fig.	Ref.	Qty.	Descr.	Obs	From UpTo
1	17524040	1	Pump Assy,Oil		
2	17424055	1	O-Ring D. 60X2		
3	17421012G.1	4	Bolt W/Washer (Generator)		
4	13122045	1	Nut		
5	53033010	1	Washer GROWER DIN 127-10		
6	17424052	1	STrainer,Oil		
7	17424060	1	O-Ring D. 22X2,4		
8	17422037G.1	2	Bolt W/Washer (Generator)		
9	17124072	1	Valve, Assy		
10	17424063	1	Gasket		
11	17824071	1	Valve, Assy		
12	17420017	1	Gasket		
13	17424051	1	Oil Filter Element MINI-74/SM-82/94		
14	17424054	1	Union,Oil Filter		
15	17827027	1	Switch, Oil pressure		
16	17117052	1	Oil Pressure Sensor Adaptor		
17	60900985	1	Pressure Sensor		



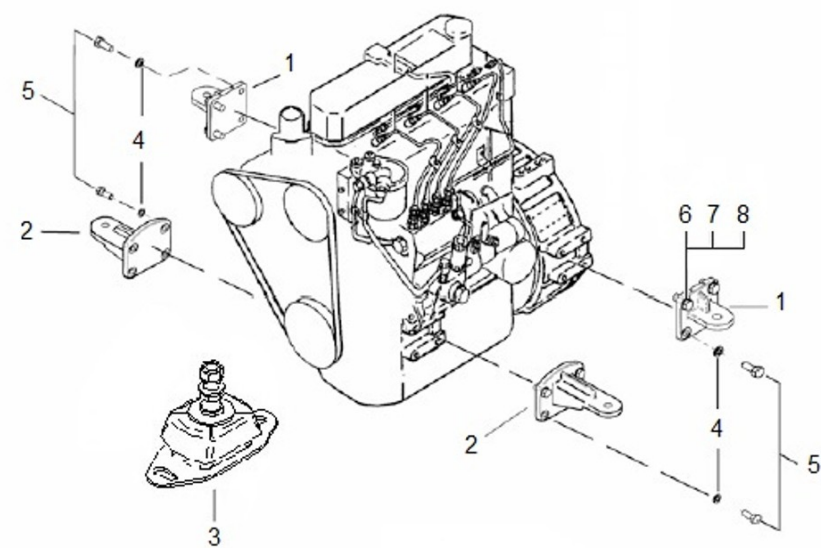
D_MIE1_1_11 Oil Pan

Fig.	Ref.	Qty.	Descr.	Obs	From	UpTo
1	53033012	1	Washer Grower DIN 127-12			
2	17214022	1	Bracket, Pipe			
3	52102360	1	Bolt DIN 933 M12-35 8.8			
4	16514020	1	Plug			
5	56000217	1	Washer 13-20-3			
6	17114021	1	Extraction Hose			
7	12814051	1	Screw,eye			
8	56000069	2	Washer 14-20-1,5			
9	17821012	24	Bolt,W/Washer			
10	17420030	1	Oil PAN Assy			
11	17420029	1	Gauge Oil LEVEL			



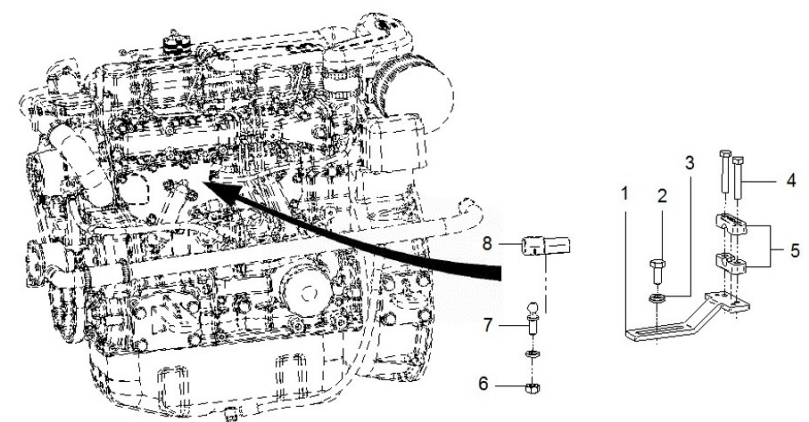
D_MIE1_1_12 Engine Brackets

Fig.	Ref.	Qty.	Descr.	Obs	From	UpTo
1	17410002	2	Rear Bracket			
2	17410001	2	Front Bracket			
3	61652010	4	Engine Mount Type D 45 SHA M16 H 105			
4	53033012	16	Washer Grower DIN 127-12			
5	52102359	15	Bolt DIN 933 M12-30 8.8			
6	51030012	1	Washer DIN 125-12			
7	52102360	1	Bolt DIN 933 M12-35 8.8			
8	17214022	1	Bracket, Pipe			



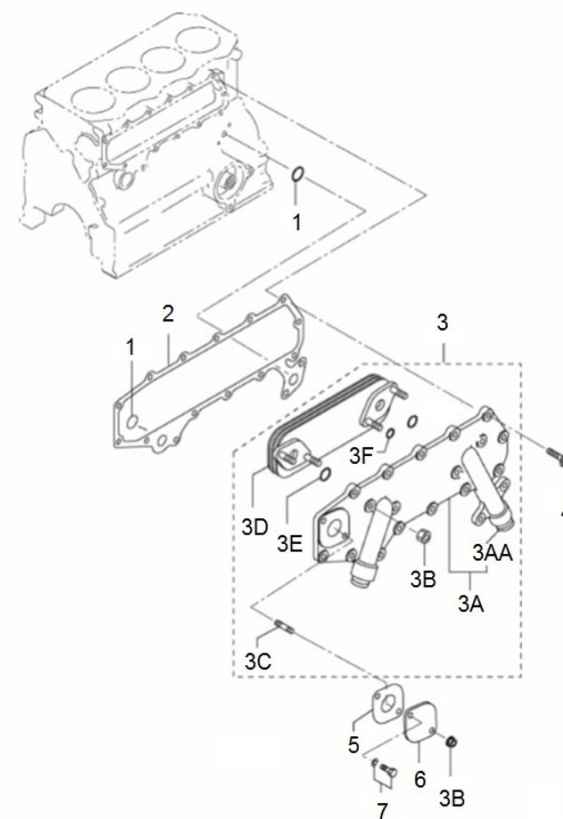
D_MIE1_1_13 Bracket, Engine Control

Fig.	Ref.	Qty.	Descr.	Obs	From	UpTo
1	17819001	1	Bracket, Engine Control			
2	52102156	1	Bolt DIN 933 M6-16 8.8			
3	53033006	1	Washer GROWER DIN 127-6			
4	52102108	2	Bolt DIN 933 M5-20 8.8 CINCADO			
5	13819001	2	Half Flange Morse Cable			
6	52120006	1	Nut DIN 934 M6 8.8			
7	14419023	1	Ball JOINT			
8	15119015	1	CABLE Holder Ball			



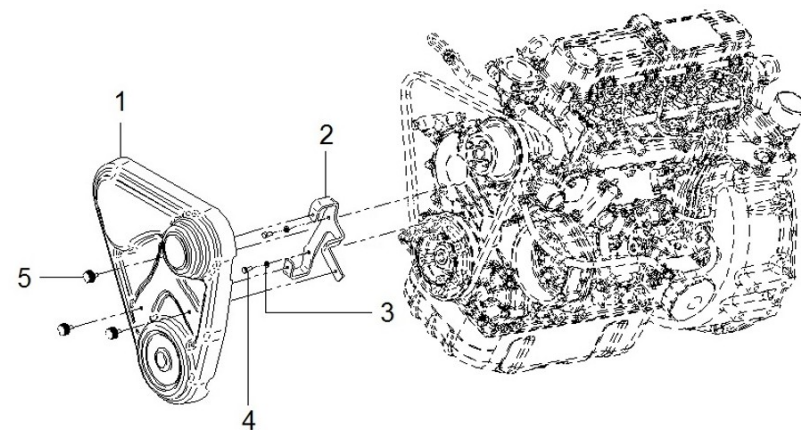
D_MIE1_1_14 Oil cooler

Fig.	Ref.	Qty.	Descr.	Obs	From	UpTo
1	17424060	2	O-Ring D. 22X2,4			
2	17822112	1	Gasket, Side Cover			
3	17822110	1	Cooler Assy, Oil			
3A	17822111	1	Case Assy, Oil Cooler			
3AA	17822120	1	Plug Tapered			
3B	17125008.1	5	Nut, Flange			
3C	13321019	1	Stud			
3D	17822114	1	Element, Oil Cooler			
3E	17520017	2	O-Ring D. 30X3,4			
3F	17822115	4	O-Ring			
4	17822116	15	Bolt, Flange			
5	17420048	1	Gasket			
6	17822117	1	Cover			
7	17822118	1	Bolt, Flange			

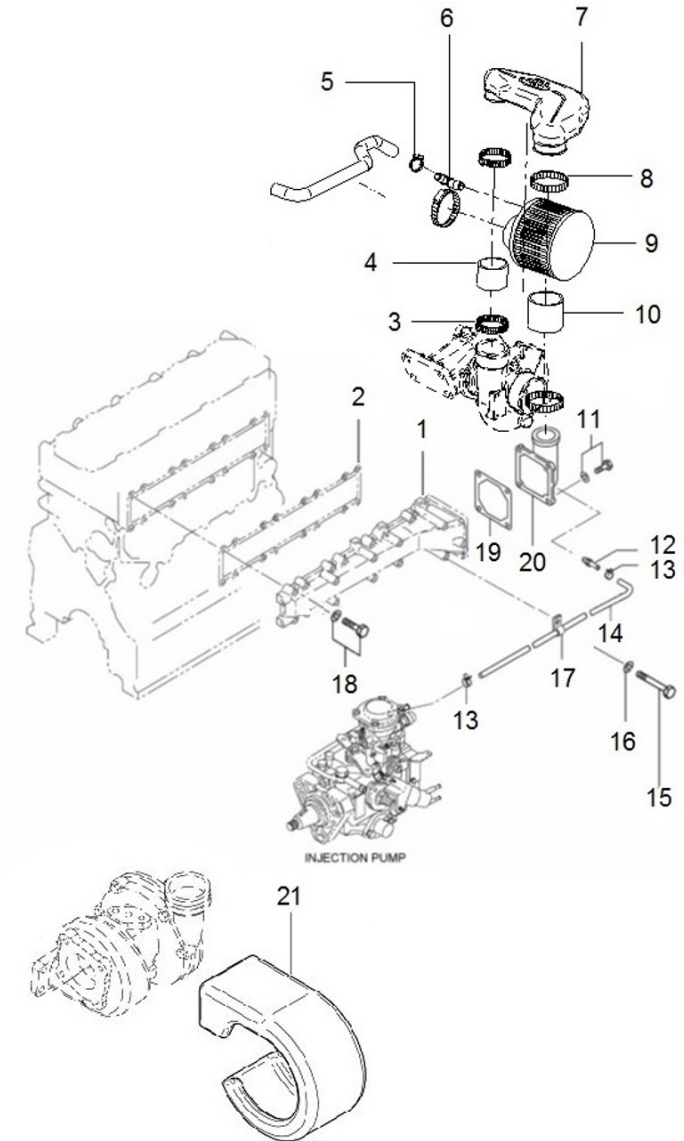


D_MIE1_1_15 Belt Protection

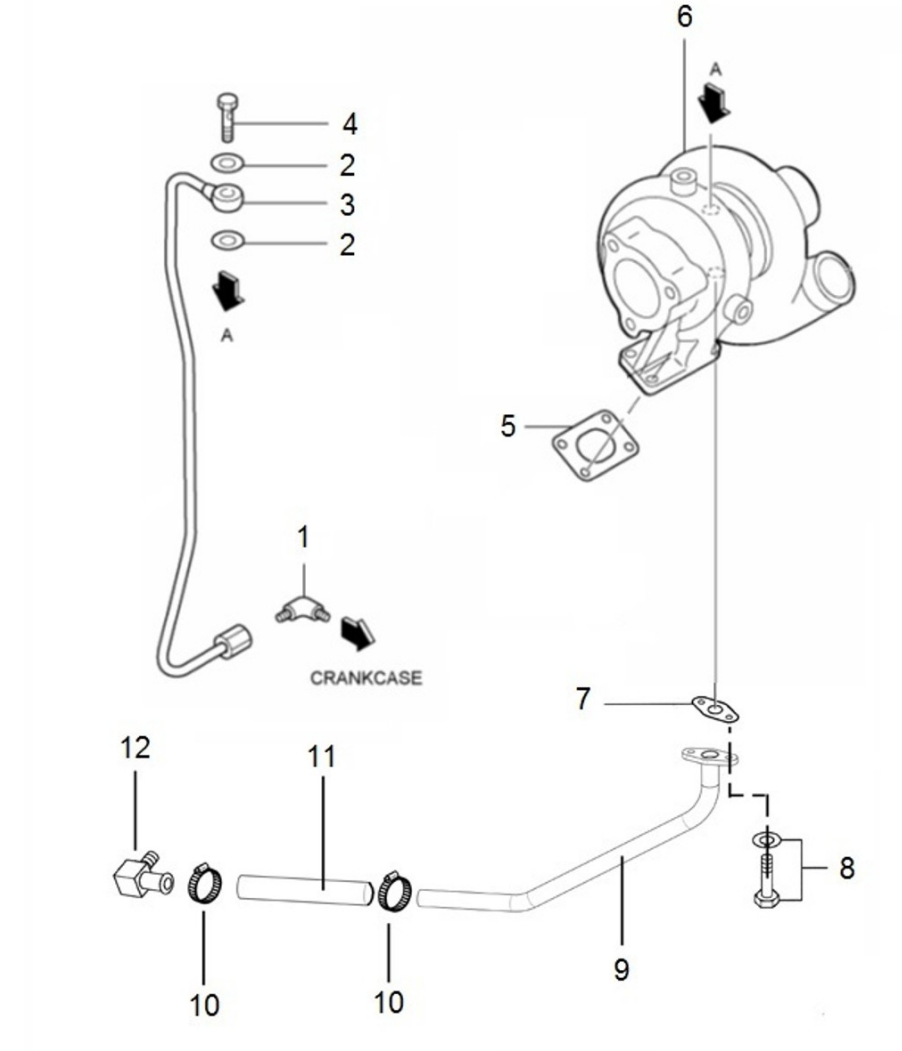
Fig.	Ref.	Qty.	Descr.	Obs	From	UpTo
1	17810021	1	Belt Protection			
2	17810022	1	Bracket Protection Belt			
3	53033006	2	Washer GROWER DIN 127-6			
4	52102156	2	Bolt DIN 933 M6-16 8.8			
5	13810247	3	Grip Knob M6			



D_MIE1_2_1		Inlet			
Fig.	Ref.	Qty.	Descr.	Obs	From UpTo
1	17821030	1	Manifold Assy,Inlet		
2	17421032	1	Gasket IN.MANIFOLD		
3	54082040	2	Clamp DIN 3017 40-60/12 W4		
4	17810030	1	Hose		
5	54081012	1	Clamp DIN 3017 12-22/9 W4		
6	17810013	1	Elbow,Frared Tube		
7	17810017	1	Adaptor		
8	54082050	3	Clamp DIN 3017 50-70/12 W4		
9	17810012	1	Air Filter		
10	17810031	1	Hose		
11	17125004.1	4	Bolt		
12	17821013	1	Nipple, Air		
13	17821017	2	Clip,Hose		
14	17821018	1	Hose		
15	17421014G	2	Bolt (Generator)		
16	53033008	2	Washer GROWER DIN 127-8		
17	17821016	1	Clip,Hose		
18	17421014G.1	14	Bolt W/Washer (Generator)		
19	17421042	1	Gasket		
20	17821029	1	Elbow, Air Inlet		
21	17818010	1	Termic, Bucklers		07/12/2016

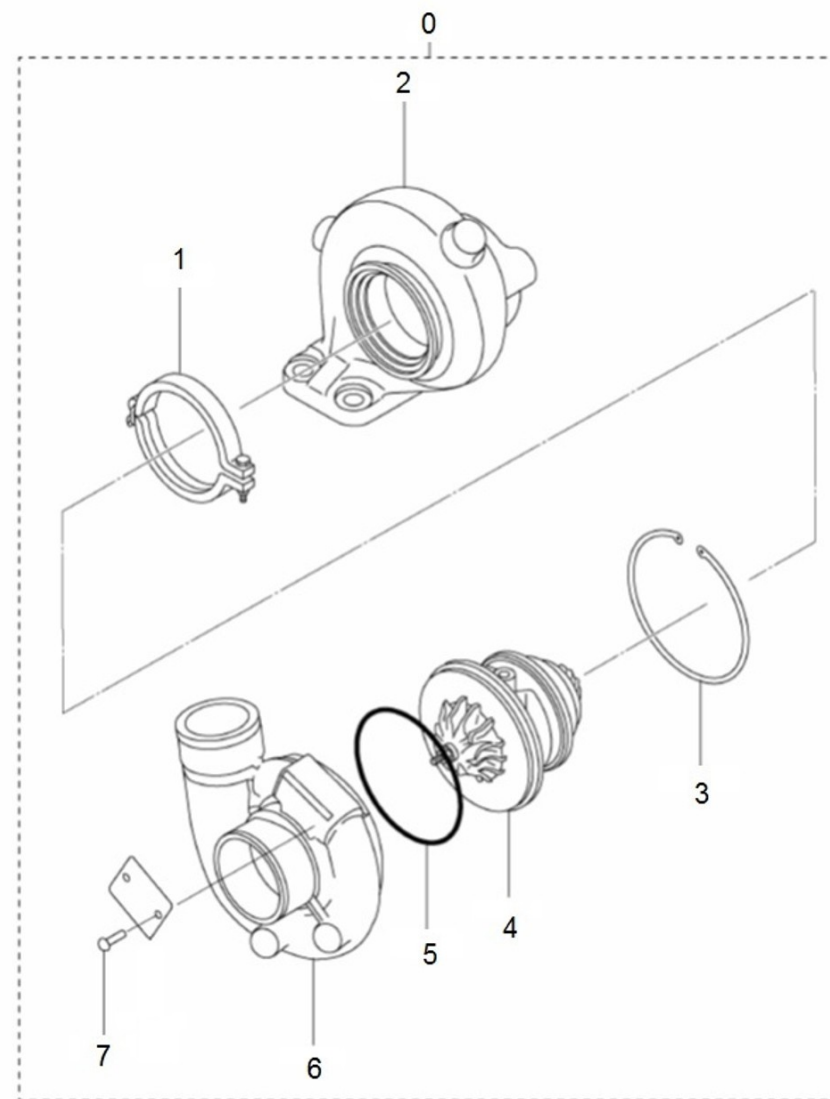


D_MIE1_2_2		Turbocharger				
Fig.	Ref.	Qty.	Descr.	Obs	From	UpTo
1	17712007	1	Elbow 1/8" GAS			
2	17124056	2	Gasket			
3	17712006	1	Pipe			
4	17828006	1	Bolt, Eye			
5	17420049	1	Gasket			
6	17828002	1	Turbocharger, Assy			
7	17712004	1	Gasket			
8	52102156	2	Bolt DIN 933 M6-16 8.8			
9	17812005	1	Pipe			
10	54081012	2	Clamp DIN 3017 12-22/9 W4			
11	17728007	1	Hose,Oil			
12	17728008	1	Elbow			

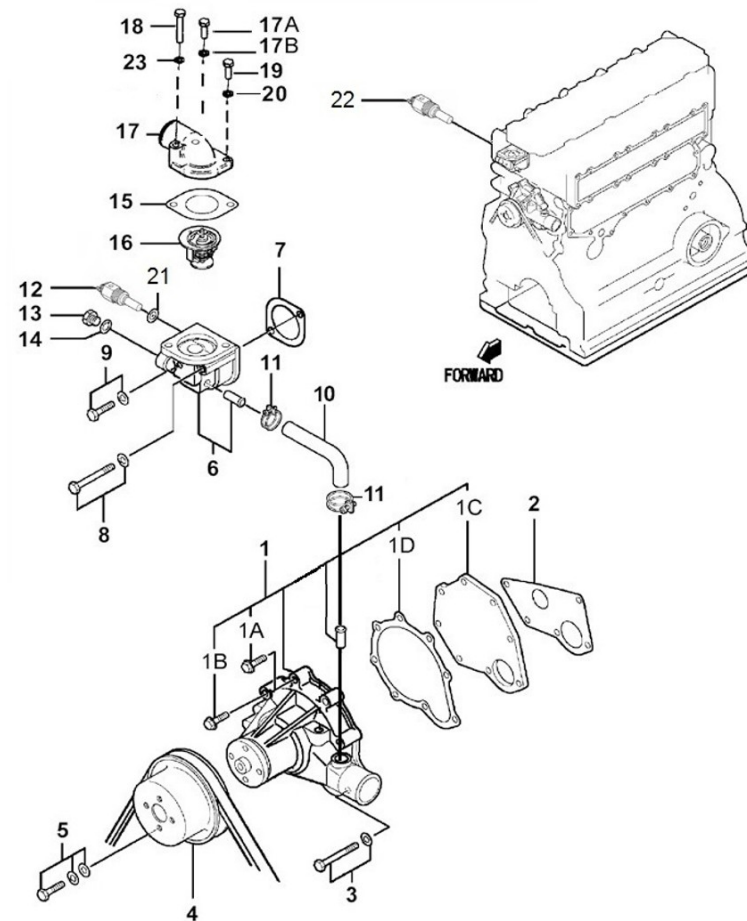


D_MIE1_2_3 Spare parts, Turbocharger

Fig.	Ref.	Qty.	Descr.	Obs	From	UpTo
0	17828002	1	Turbocharger, Assy			
1	17828002.9	1	Coupling Assy			
2	17828002.8	1	Housing, Turbine			
3	17828012.10	1	Ring, Snap			
4	17828012.6	1	Rotor, Turbine			
5	17828012.2	1	O-Ring			
6	17828012.1	1	Cover, Compressor			
7	17828012.11	2	Rivet			

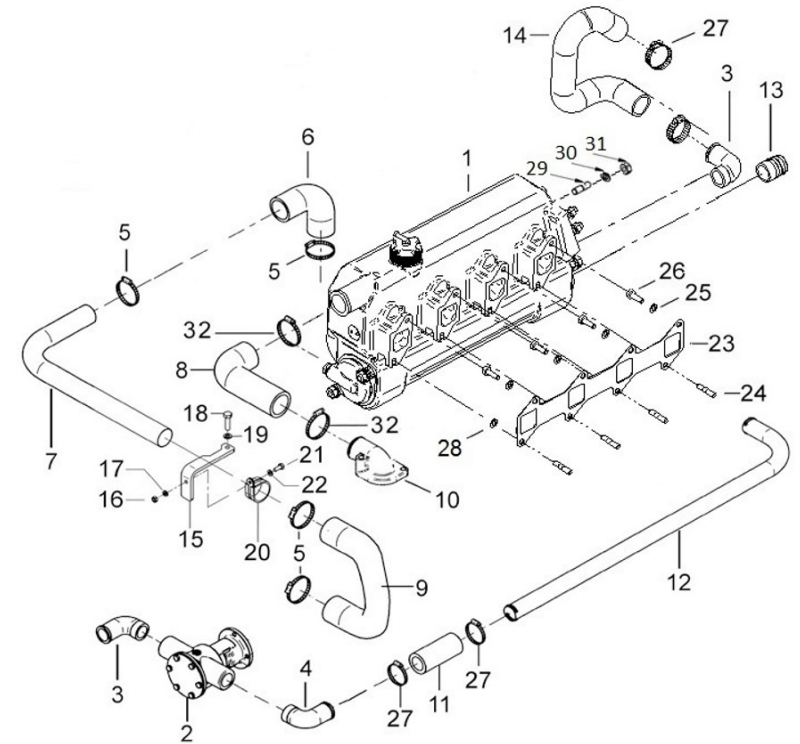


D_MIE1_3_1		Water Pump			
Fig.	Ref.	Qty.	Descr.	Obs	From UpTo
1	17421020G.1	1	Fresh Water Pump (tube Ø18)		
1A	17421026G	1	Bolt,Flange		
1B	17821026	2	Bolt, Flange		
1C	17421043	1	Cover,Water Pump		
1D	17421022	1	Gasket,Pump Cover		
2	17421041	1	Gasket,Side Cover		
3	17421039G.1	4	Bolt,W/Washer (Generator)		
4	17121021	1	Pulley,Water Pump		
5	17121056	4	Bolt,w/washer		
6	17421037G.1	1	Case Assy (Generator)		
7	17421016G.2	1	Gasket (Generator)		
8	17821038	2	Bolt, Flange		
9	17821039	1	Bolt, Flange		
10	17421025G.1	1	Hose,BY-PASS (Generator)		
11	54081020	2	Clamp DIN 3017 20-32/9 W4		
12	60900980	1	Temperature Sensor		
13	17121016	1	Plug, drain		
14	17121013	1	Gasket		
15	17111021	1	Gasket		
16	17121027	1	Thermostat		
17	17111020	1	Fitting,water outlet		
17A	13811035	1	Bolt,bleed		
17B	56000053	1	Washer 6-10-1,5		
18	52101263	1	Bolt DIN 931 M8-50 8.8		
19	52102259	1	Bolt DIN 933 M8-30 8.8		
20	53033008	1	Washer GROWER DIN 127-8		
21	56000073	1	Copper Washer 16-23-1,5		
22	17427080	1	Switch,Thermo		
23	53038008	1	Washer DIN 6798-A 8		



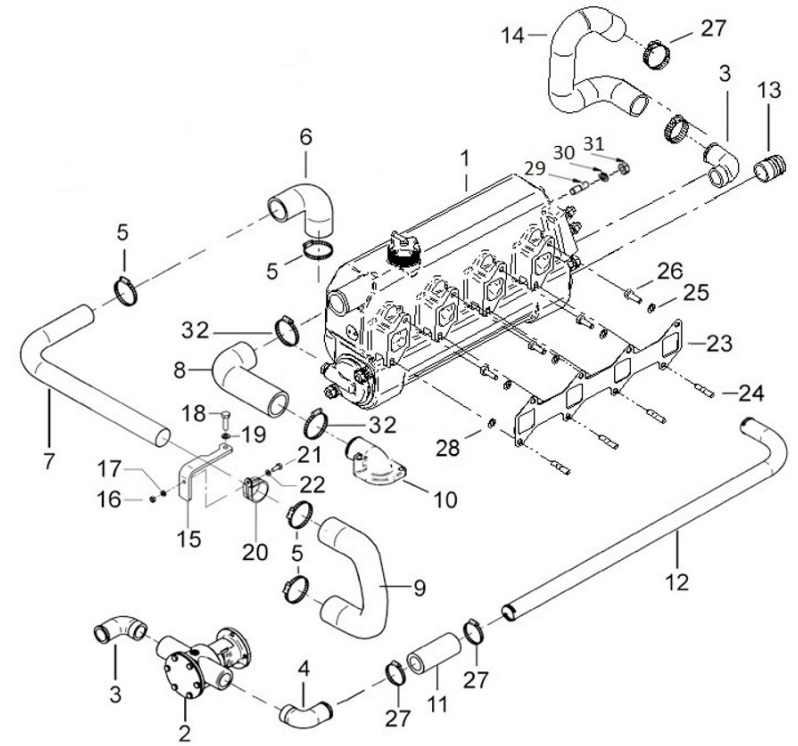
D_MIE1_3_2 Cooler Pipes

Fig.	Ref.	Qty.	Descr.	Obs	From	UpTo
1	17811000REC	1	Water Cooler Assy SM-82			
2	37811000	1	Cross Brace Pump 1" SM-82/94 Gen.SM-81			
3	14711021	2	Elbow N°1			
4	14711022	1	Elbow N°2			
5	54082032	4	Clamp DIN 3017 32-50/12 W4			
6	15211026	1	Elbow,rubber			
7	17011022	1	Pipe,from cooler to engine			
8	17411013	1	Thermostat Water Outlet Elbow			
9	16711016	1	Rubber Elbow			
10	17111020	1	Fitting,water outlet			
11	13211036	1	Pipe 30-40-100			
12	17411011	1	Pipe			
13	60180007	1	Outlet Coupling			
14	17811034	1	Rubber Wet Exhaust Inlet Bend			
15	17511014	1	Bracket			
16	52120006	1	Nut DIN 934 M6 8.8			
17	53033006	1	Washer GROWER DIN 127-6			
18	52102259	1	Bolt DIN 933 M8-30 8.8			
19	53033008	1	Washer GROWER DIN 127-8			
20	59071383	1	Clamp TYP.1 38/15 W1			
21	52102157	1	Bolt DIN 933 M6-20 8.8			
22	51030006	1	Washer DIN 125-6			
23	17421035	1	Gasket,Exhaust Manifold			
24	14711008	4	Stud,cover			
25	53038008	4	Washer DIN 6798-A 8			
26	52102258	4	Bolt DIN 933 M8-25 8.8			
27	54082025	4	Clamp DIN 3017 25-40/12 W4			
28	51125008	4	Nut Exhaust			
29	16511007	4	Stud			
30	53033010	4	Washer GROWER DIN 127-10			
31	55120110	4	Nut DIN 934 M10			



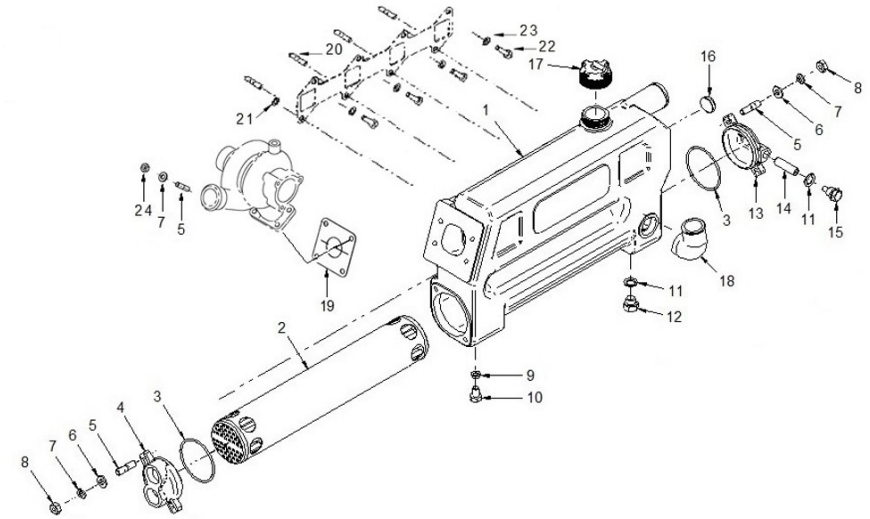
D_MIE1_3_2 Cooler Pipes

Fig.	Ref.	Qty.	Descr.	Obs	From	UpTo
32	54082040	2	Clamp DIN 3017 40-60/12 W4			



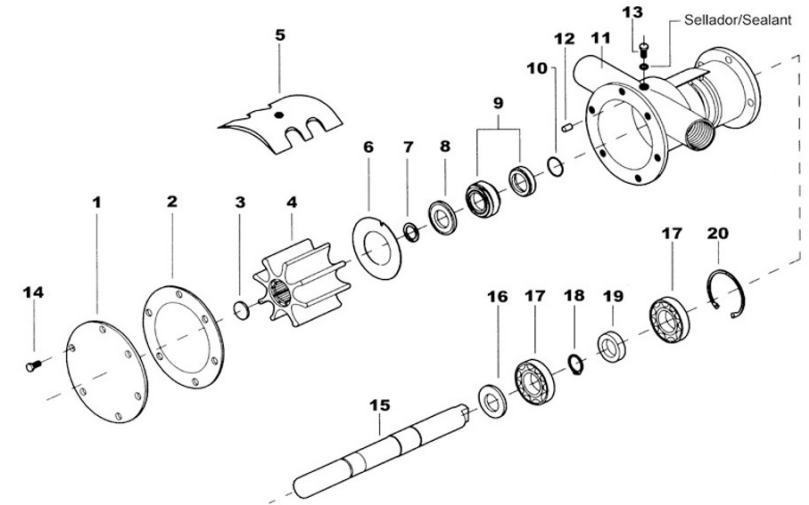
D_17811000REC Water Cooler Assy SM-82

Fig.	Ref.	Qty.	Descr.	Obs	From	UpTo
1	17811001	1	Body, Warter Cooler			
2	18011004	1	Tubular Bundle			
3	18011008	2	O-Ring D. 72X3			
4	17411003	1	Water Cooler Cover			
5	16511007	8	Stud			
6	51030010	4	Washer DIN 125-10			
7	53033010	8	Washer GROWER DIN 127-10			
8	52120010	4	Nut DIN 934 M10 8.8			
9	56000205	1	Washer 10-16-3			
10	54102306	1	Bolt DIN 933 M10-16 INOX.			
11	56000073	2	Copper Washer 16-23-1,5			
12	12111076	1	Plug			
13	18011002	1	Water Cooler Cover			
14	18011031	1	Engine Anode 45 mm M.8			
15	18011009	1	Anode Plug			
16	12113092	1	Plug			
17	13811010	1	Cap			
18	17111011	1	Elbow 1 1/8"			
19	17420049	1	Gasket			
20	13311006	4	Stud,cover			
21	51125008	4	Nut Exhaust			
22	52102258	4	Bolt DIN 933 M8-25 8.8			
23	53038008	4	Washer DIN 6798-A 8			
24	55120110	4	Nut DIN 934 M10			
NS	17811040	1	Cooler Adhesive			



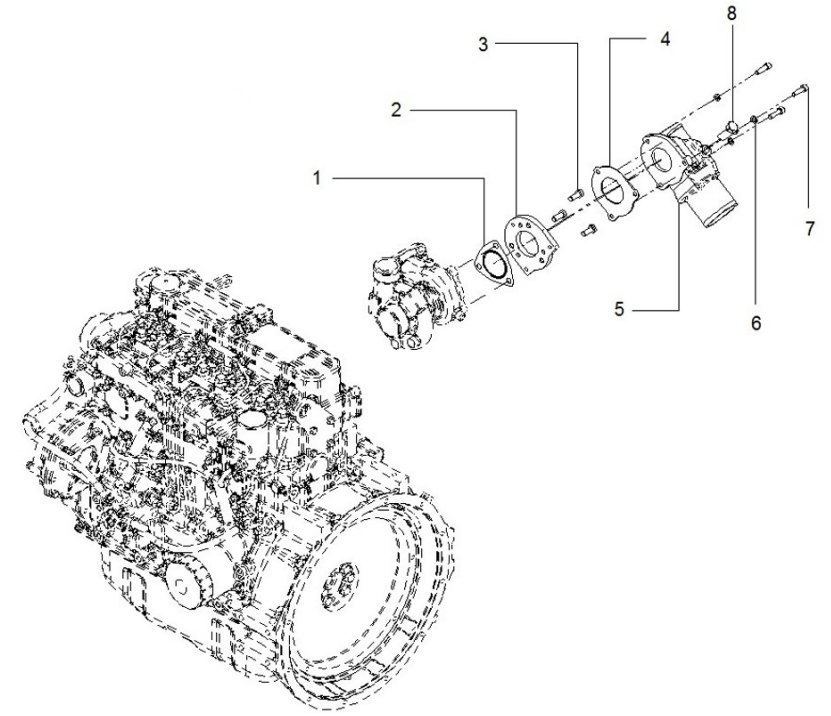
37811000 Cross Brace Pump 1" SM-82/94 Gen.SM-81

Fig.	Ref.	Qty.	Descr.	Obs	From	UpTo
1	34711002	1	Cover Pump			
2	34711003	1	Gasket Cover			
3	34711041	1	Impeller Plug			
4	34711008	1	1" Impeller			
5	37811005	1	Cam 6,5 mm			
6	34711026	1	Plate,Friction			
7	54040016	1	CIRClip E-16			
8	36511018	1	Washer,seal			
9	36511019	1	Seal			
10	33311013	1	O-Ring D. 15X2			
11	36511001	1	Body,water pump			
12	36511017	1	Pin,Dowel			
13	54108154	1	Bolt DIN 84 M6-10			
14	54102154	6	Bolt DIN 933 M6-10 INOX			
15	36511010	1	Shaft,pump			
16	36511015	1	Spacer 17X24X7			
17	33311014	2	Ball Bearing 6203			
18	53040017	1	Circlip DIN 471 E-17			
19	36511020	1	Seal 16-30-7			
20	53041040	1	Circlip DIN 472 I-40			

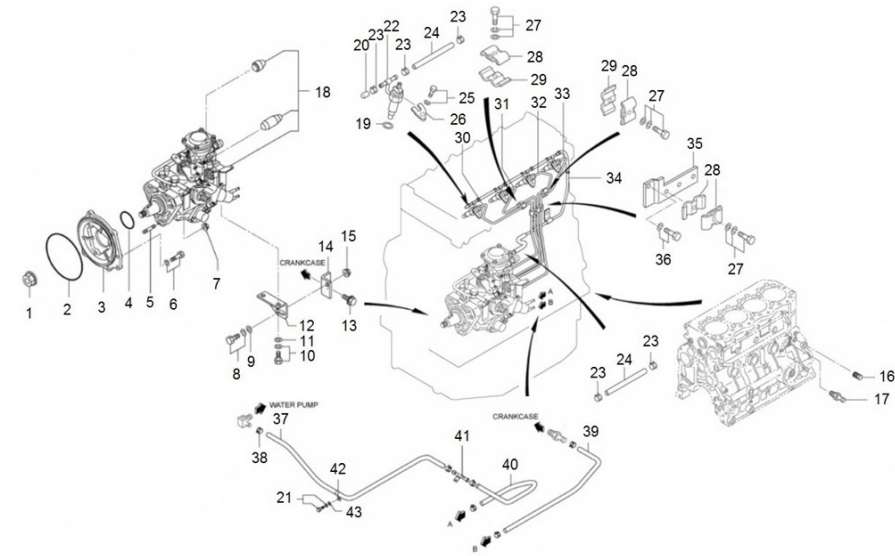


D_MIE1_3_5 Wet Exhaust

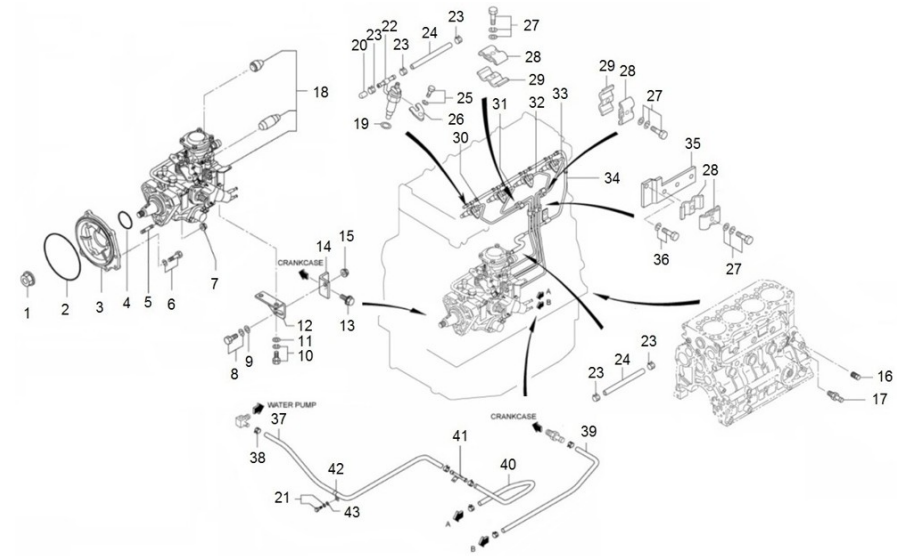
Fig.	Ref.	Qty.	Descr.	Obs	From	UpTo
1	17421014	1	Gasket			
2	17813014	1	Adaptor			
3	53203307	3	Bolt DIN 912 M10x1,25-20 12.9			
4	17813016	1	Gasket			
5	17813015	1	Elbow,wet exhaust			
6	53033008	3	Washer GROWER DIN 127-8			
7	52103260	3	Bolt DIN 912 M8-35 8.8			
8	55102405	1	Bolt DIN 933 M14-1,50-12 Brass		06/05/2024	



D_MIE1_4_1		Fuel Pipe			
Fig.	Ref.	Qty.	Descr.	Obs	From UpTo
1	17825002	1	Nut		
2	17825006	1	O-Ring		
3	17825005	1	Flange, Inj. Pump		
4	17825007	1	O-Ring		
5	17125009.1	3	Stud		
6	17721012	1	Bolt,W/Washer		
7	17125008.1	3	Nut,Flange		
8	17120062	1	Bolt,w/washer		
9	17825010	1	Washer		
10	17825011	2	Bolt,W/Washer		
11	51030010	2	Washer DIN 125-10		
12	17825013	1	Bracket , Injection Pump		
13	17425036	1	Bolt,Flange		
14	17825015	1	Bracket , Injection Pump		
15	17825016	1	Nut, Flange		
16	17120022	1	Plug, tapered		
17	17824004	1	Joint, Water		
18	17825001	1	Pump Assy,Fuel Injection		
19	17824007	4	Gasket, Nozzle		
20	17824008	1	Cap		
21	17824035	1	Bolt,W/Washer		
22	17826001	4	Nozzle, Assy		
23	17824006	11	Clip,Hose		
24	17824005	5	Hose		
25	17822118	4	Bolt, Flange		
26	17824013	4	Support, Nozzle		
27	17524025	4	Bolt,W/Washer		
28	17824011	6	Clamp		
29	17824012	2	Clamp		
30	17824015	1	Pipe Injection N.1		
31	17824016	1	Pipe Injection N.2		

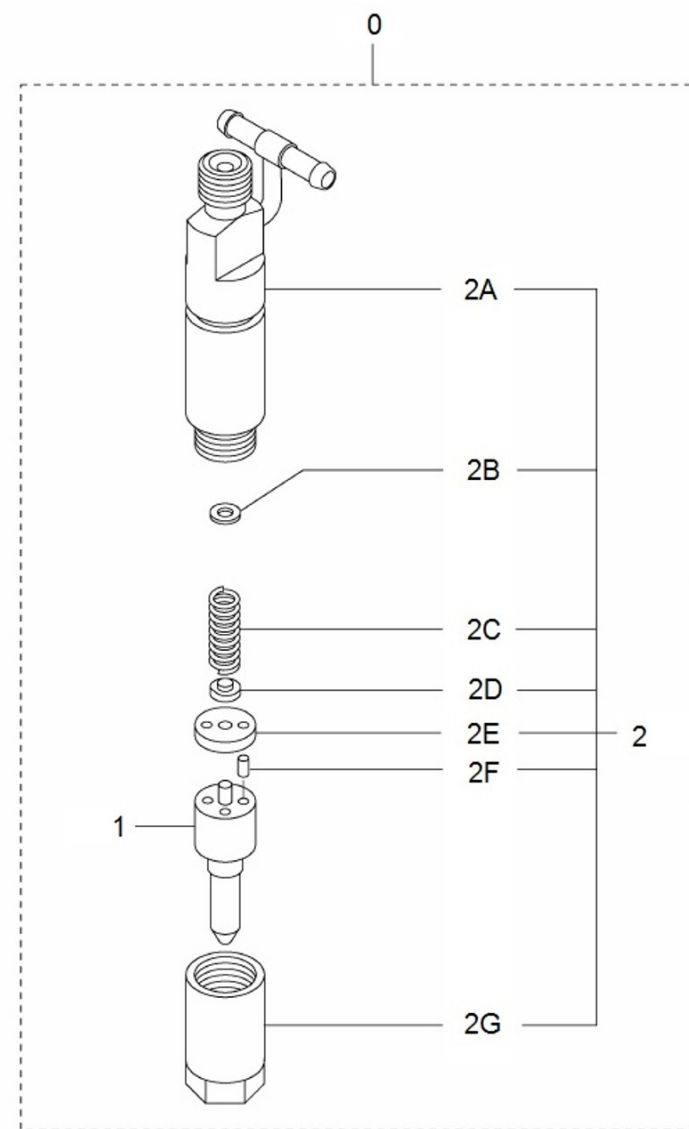


D_MIE1_4_1 Fuel Pipe						
Fig.	Ref.	Qty.	Descr.	Obs	From	UpTo
32	17824019	1	Pipe Injection N.3			
33	17824022	1	Pipe Injection N.4			
34	17824002	1	Pipe, Fuel Return			
35	17824014	1	Stay			
36	17422037G.1	1	Bolt W/Washer (Generator)			
37	17824028	1	Hose			
38	17221023	6	Clamp			
39	17824030	1	Hose, Coolant			
40	17824031	1	Hose, Coolant			
41	17824032	1	Pipe			
42	17824033	1	Clip			
43	17824034	1	Washer			



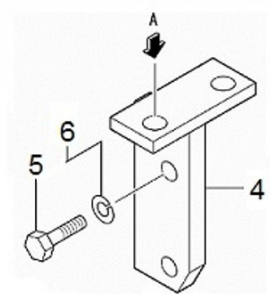
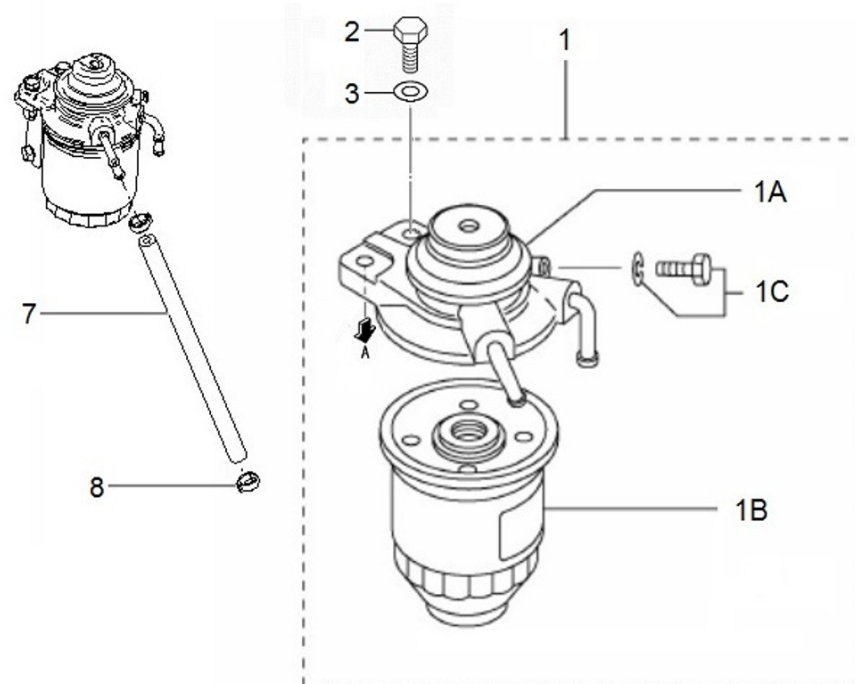
D_MIE1_4_2 Injection Nozzle

Fig.	Ref.	Qty.	Descr.	Obs	From	UpTo
0	17826001	4	Nozzle, Assy			
1	17828018	4	Tip Assy, Nozzle			
2	17826003	4	Holder			
2A	17826002	4	Body, Assy			
2BA	17826020	0	Washer	#		
2BB	17026144	0	Washer 1,050	#		
2BC	17026145	0	Washer 1,100	#		
2BD	17026146	0	Washer 1,150	#		
2BE	17026010	0	Washer 1,20	#		
2BF	17026011	0	Washer 1,25	#		
2BG	17026012	0	Washer 1,30	#		
2BH	17026013	0	Washer 1,35	#		
2BI	17026016	0	Washer 1,50	#		
2BJ	17026017	0	Washer 1,55	#		
2BK	17026019	0	Washer 1,60	#		
2BL	17026020	0	Washer 1,65	#		
2BM	17026022	0	Washer 1,75	#		
2BN	17026023	0	Washer 1,80	#		
2BO	17026131	0	Washer 1,275	#		
2BP	17026132	0	Washer 1,325	#		
2BQ	17026133	0	Washer 1,375	#		
2BR	17026134	0	Washer 1,425	#		
2BS	17026135	0	Washer 1,475	#		
2C	17026104	4	Spring,pressure			
2D	17026103	4	Pin,pressure			
2E	17026107	4	Packing,tip			
2F	17026008	8	Pin Straight			
2G	17826006	4	Nut, Retaining			

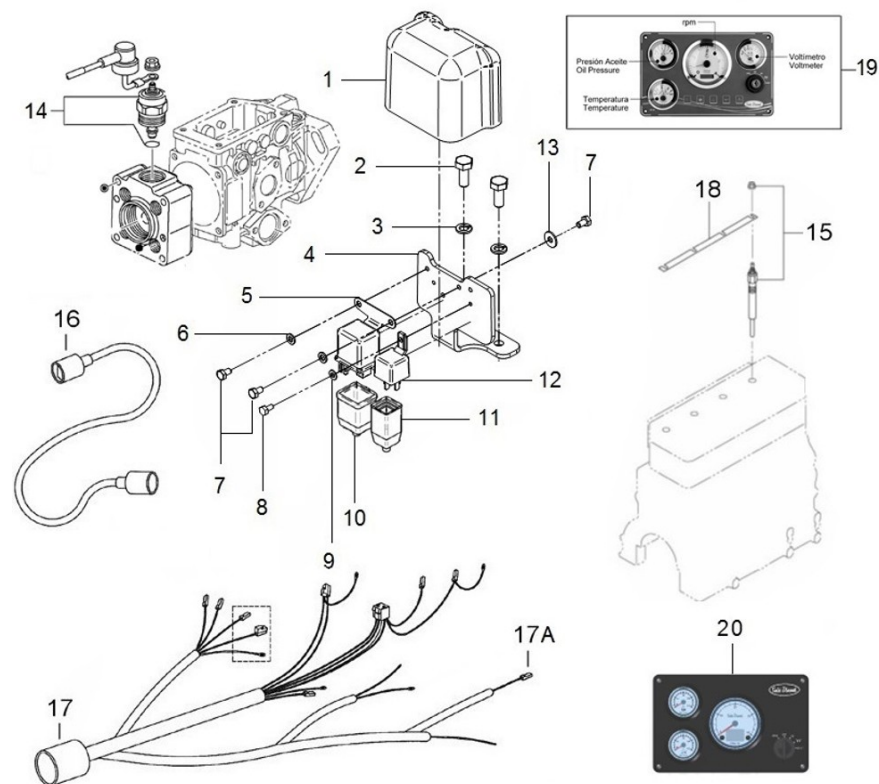


D_MIE1_4_5 Fuel Supply Parts

Fig.	Ref.	Qty.	Descr.	Obs	From	UpTo
1	17824020R	1	Filter kit			
1A	17824026	1	Cover,filter			
1B	17114022	1	Fuel Filter Element MINI-62 SM-82/94			
1C	17824027	1	Plug Set, Air			
2	52102257	2	Bolt DIN 933 M8-20 8.8			
3	53038008	2	Washer DIN 6798-A 8			
4	17814001	1	Bracket, Fuel Filter			
5	52102258	2	Bolt DIN 933 M8-25 8.8			
6	53033008	2	Washer GROWER DIN 127-8			
7	17814002	1	Pipe			
8	51086016	2	ONE EAR Clamp With INTERIOR Ring 14-16,3			

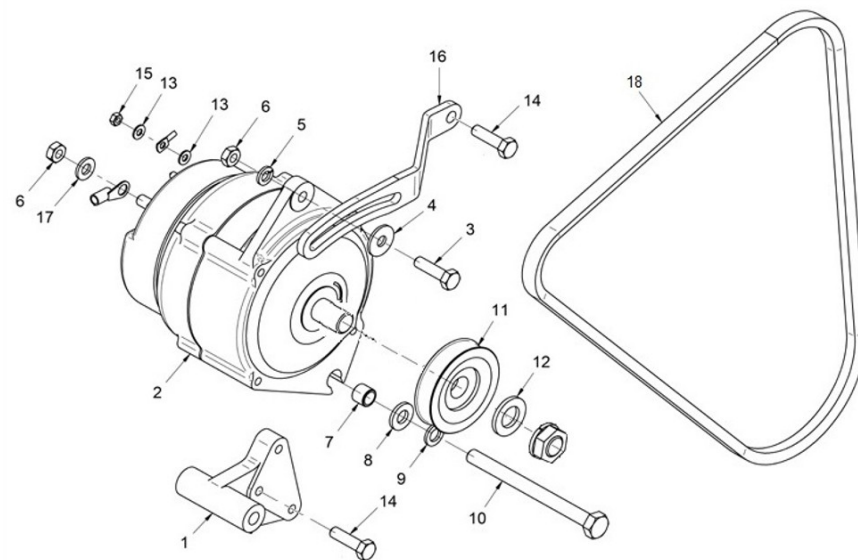


D_MIE1_5_5		Electrical Wiring				
Fig.	Ref.	Qty.	Descr.	Obs	From	UpTo
1	13817003	1	Cover			
2	52102308	2	Bolt DIN 933 M10-25 8.8			
3	53033010	2	Washer GROWER DIN 127-10			
4	17817001	1	Bracket			
5	13827005	1	Glow Relay			
6	51030006	2	Washer DIN 125-6			
7	52102154	3	Bolt DIN 933 M6-10 8.8			
8	52102104	1	Bolt DIN 933 M5-10 8.8			
9	51030005	1	Washer DIN 125-5			
10	13817007	1	Rubber Cover			
11	13817006	1	Cover			
12	13817005	1	Relay 6V			
13	51031006	1	Washer DIN 9021 6			
14	17825042	1	Stop Solenoid			
15	17827017	4	Plug, Glow			
16	60938210.1	1	Engine Wiring Ext. 3 M. SUPERSEAL			
17	60978200R	1	Wiring Electrical SM-82/94 SVT			
17A	60900179	1	Fuse 10A			
18	17427018	1	Plate Glow Plug			
19	60978100R	1	SVT 30 SM-82/94 Panel (Repl.)			04/03/2024
20A	63978311NS	1	Panel SSG 30 SM-82/94 ETR 12V Black			04/03/2024
20B	63978311BS	1	Panel SSG 30 SM-82/94 ETR 12V White			04/03/2024
20C	63978311BSL	1	Panel SSG 30 SM-82/94 ETR 12V White Earth Isolated			04/03/2024
20D	63978311NSL	1	Panel SSG 30 SM-82/94 ETR 12V Black Earth Isolated			04/03/2024

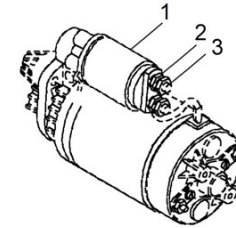


D_MIE1_5_1 Kit Alternador 14V/95A

Fig.	Ref.	Qty.	Descr.	Obs	From	UpTo
1	17427002	1	Bracket,Alternator			1/06/2021
1	17427002.4	1	Bracket, Alternator 14V/95A		1/06/2021	
2	17117025	1	Alt. 14V/95A Mahle			
3	52102259	1	Bolt DIN 933 M8-30 8.8			
4	51031008	1	Washer DIN 9021 8			
5	53038008	1	Washer DIN 6798-A 8			
6	52120008	2	Nut DIN 934 M8 8.8			
7	17417025	1	Spacer 13.5x10.2x11			
8	51030010	1	Washer DIN 125-10			
9	53038010	1	Washer DIN 6798-A 10			
10	52101325	1	Bolt DIN 931 M10-120 8.8			
11	17117016.7	1	Pulley			
12	13817017	1	Spacer 17X28X5,5			
13	51030005	2	Washer DIN 125-5			
14	17425036	2	Bolt,Flange			
15	52120005	1	Nut DIN 934 M5 8.8			
16	17427007	1	Plate,Adjusting			
17	51030008	1	Washer DIN 125-8			
18	17421028	1	Belt Type SPA 1180			



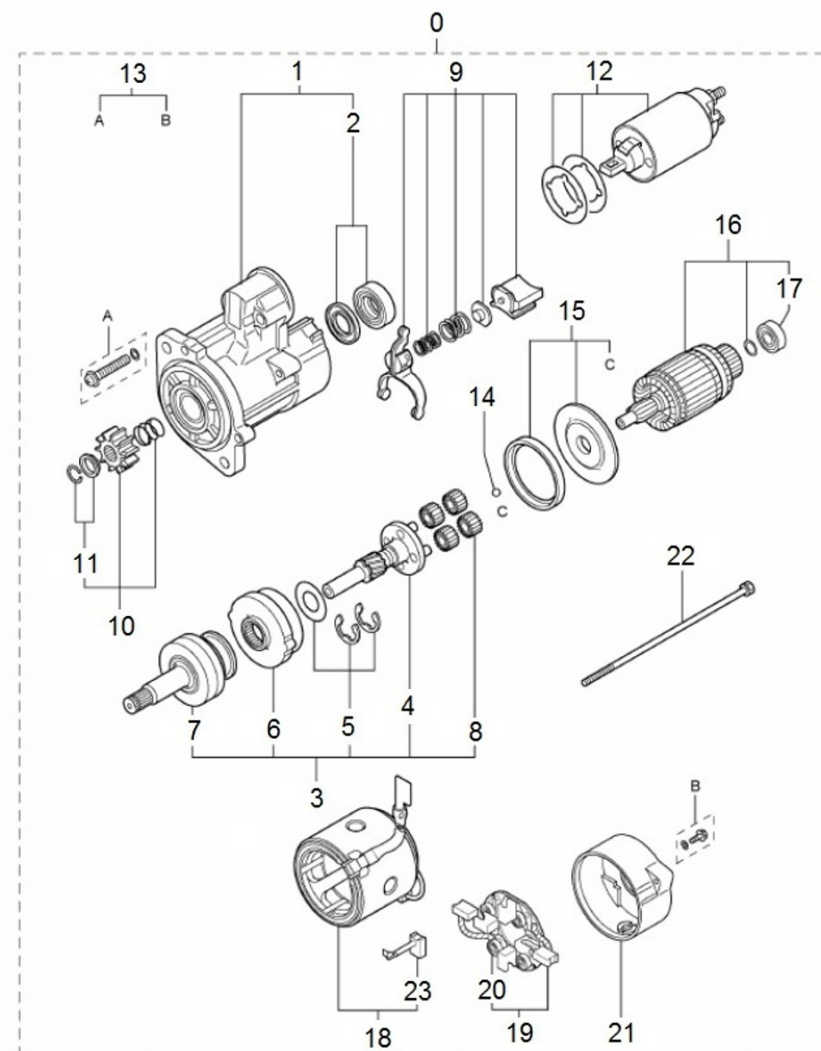
D_MIE1_5_3		Starter				
Fig.	Ref.	Qty.	Descr.	Obs	From	UpTo
1	17827001	1	Starter Assy			
2	51030008	1	Washer DIN 125-8			
3	52120008	1	Nut DIN 934 M8 8.8			



D_17827001

Spare Parts Starter

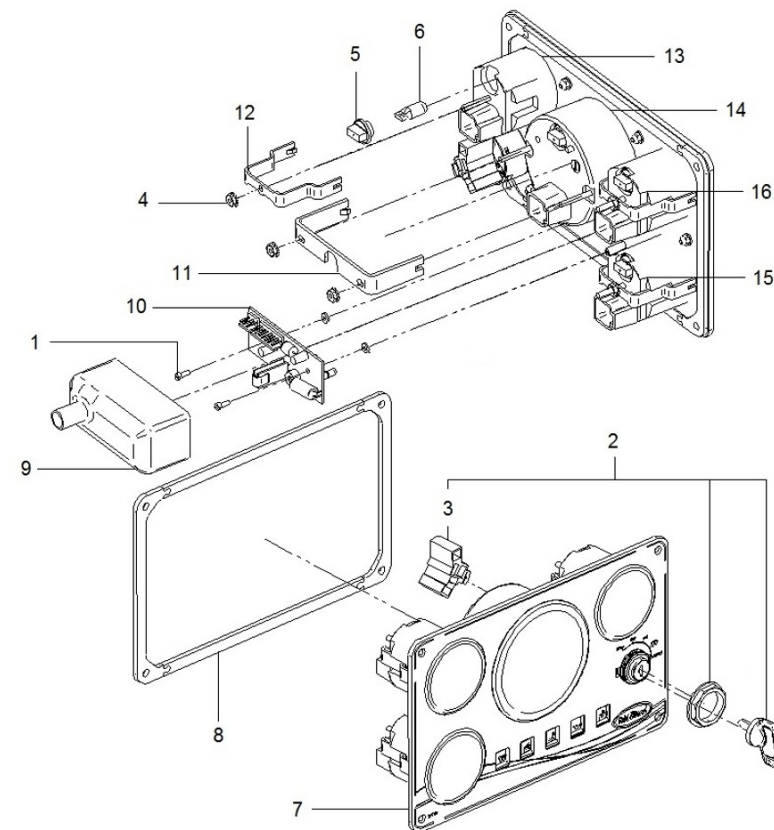
Fig.	Ref.	Qty.	Descr.	Obs	From	UpTo
0	17827001	1	Starter Assy			
1	17827102	1	Bracket Assy,Front			
2	17827109	1	Ball Bearing			
3	17427112G	1	Shaft Assy,Clutch			
4	17427113G	1	Shaft Assy,Gear			
5	17327123	1	Washer Set			
6	17327117	1	Gear Assy, INTERNAL			
7	17427116G	1	Clutch,Over Running			
8	17427115G	4	Gear Assy			
9	17427103G	1	Lever Assy			
10	17427117G	1	PinION Set			
11	13427114	1	Stopper			
12	17827106	1	Switch Assy			
13	17327101	1	Screw Set			
14	17220028	1	Ball			
15	17327127	1	Ring			
16	17427108G	1	ARMATURE Set			
17	17127110.2	1	Bearing			
18	17427119G	1	Yoke Assy			
19	17327120	1	Holder Assy, Brush			
20	17327124	4	Spring, Brush			
21	17427122G	1	Bracket Assy,REAR			
22	17127101	1	Bolt Set			
23	17327125	2	Brush			



PART WITHOUT REF.NO.WILL NOT BE SUPPLIED.

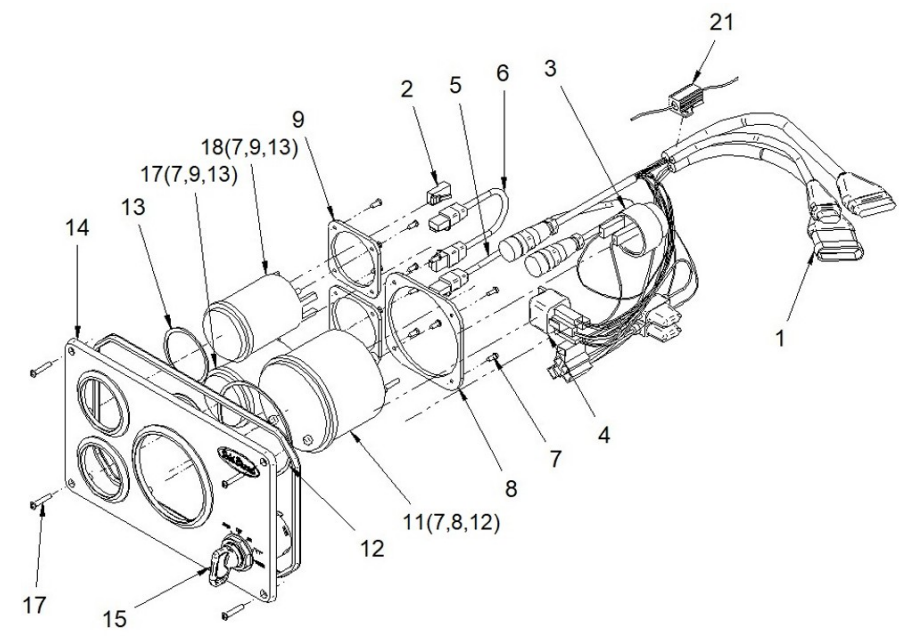
D_60978100 SVT 30 SM-82/94 Panel

Fig.	Ref.	Qty.	Descr.	Obs	From	UpTo
1	54108003	2	Bolt DIN 84 M3-8 INOX.			
2	60900037	1	Key-Locking			
3	60900037.2	1	Connector			
4	60900910.2	5	Fixing Nut Gauge+Terminal			
5	60900931	4	SOCKET,WEDGE BASE			
6	60900929	4	Bulb 12V			
7	60990005.1	1	Panel N.3			
8	60990006.1	1	Gasket Panel			
9	60900096	1	Cover Plate for Motor Propeller			
10	60900301.2	1	Integrated Circuit Plate 12V Protection			
11	60900910.1	1	Revolution Counter Fixing Bracket			
12	60900915.2	3	Gauge Fixing Bracket			
13	60900941	1	Voltmeter VT 12V			
14	60978900	1	Revol. Counter VT 12V SM-82/94			
15	60900937	1	Thermometer VT 12V			
16	60900939	1	Pressure Gauge VT 12V			
NS	60900091	1	MICRO Relay 12V 12-20			
NS	60910014	1	System Back Panel SVT/MVT 30 12V		07/12/2016	



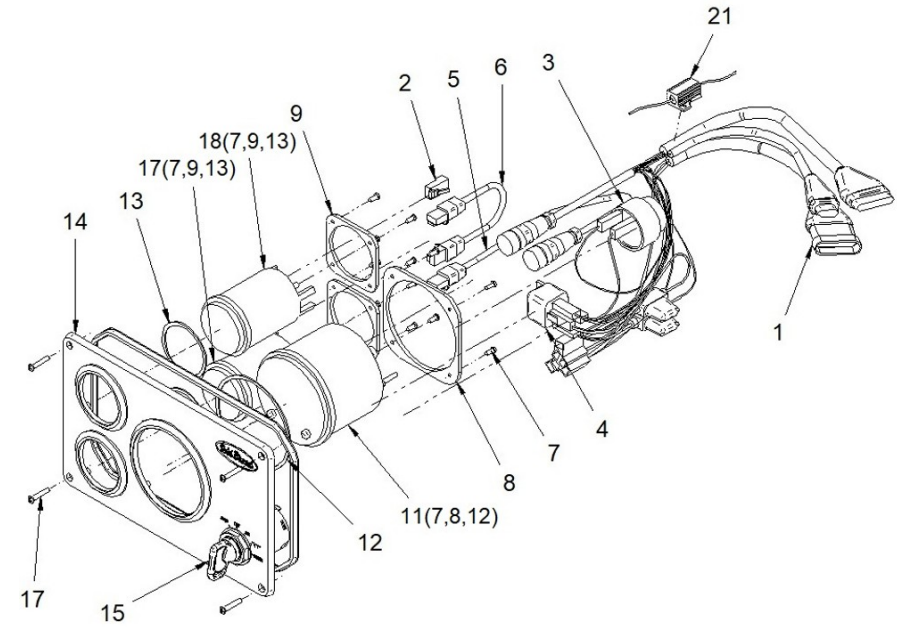
D_1633 Panel SSG 30 Spare Parts

Fig.	Ref.	Qty.	Descr.	Obs	From	UpTo
1	63900032	1	Electrical Installation Panel SSG Master			
2	63900026	1	CAN RJ45 Bus End Resistor			
2	63900037	1	CAN RJ45 Bus End Resistor CAN M12-5pin NMEA2000			
3	60900060	1	Alarm, Buzzer			
4A	63900028	1	Relay 12V 20/30A NO+NC			
Figure A for 12V System						
4B	63900029	1	Relay 24V 10/20A NO+NC			
Figure b for 24V System						
5	63900025	1	M12-5 Pin To Connector RJ45 0.2m SG			
6	63900027	1	Ethernet Cable RJ45 0.2m			
7	5191B003	12	Bolt CL81Z 3.1X8			
8	63900007	1	SG D.85 Tachometer Bracket			
8	63900008	2	SG D.52 Watch Support			
11A	63938001BSR	1	Revolution Counter SG Solé MINI-17/29 White			
11B	63938001BNR	1	Revolution Counter SG Solé MINI-17/29 Black			
11C	63972001BSR	1	Revolution Counter SG Solé MINI-33/44/55 White			
11D	63972001BNR	1	Revolution Counter SG Solé MINI-33/44/55 Black			
11E	639A0001BSR	1	Revolution Counter SG Solé SK-60 White			
11F	639A0001BNR	1	Revolution Counter SG Solé SK-60 Black			
11G	63971001BSR	1	Revolution Counter SG Solé MINI-62 White			
11H	63971001BNR	1	Revolution Counter SG Solé MINI-62 Black			
11I	63974001BSR	1	Revolution Counter SG Solé MINI-74/SM-105/103 White			
11J	63974001BNR	1	Revolution Counter SG Solé MINI-74/SM-105/103 Black			
11K	63978001BSR	1	Revolution Counter SG Solé SM-82/94 White			
11L	63978001BNR	1	Revolution Counter SG Solé SM-82/94 Black			
11M	63994001BSR	1	Revolution Counter SG Solé SDZ-165/205/280 White			
11N	63994001BNR	1	Revolution Counter SG Solé SDZ-165/205/280 Black			
12	63900009	1	Silicone Tachometer Gasket SG 94x84x1 Frontal			
13	63900010	2	Silicone Watch Gasket SG 54x48x1 Frontal			
14	63900014	1	SSG 30 Panel Solé Diesel			
15	60900037	1	Key-Locking			



D_1633 Panel SSG 30 Spare Parts

Fig.	Ref.	Qty.	Descr.	Obs	From	UpTo
17	51918057	4	Bolt DIN 7981 3,9-22			
18A	63900003BSR	1	Pressure Gauge SG Solé Master White			
18B	63900042NSR	1	Pressure Gauge SG Solé Master Black			
19A	63900002BSR	1	Temperature Gauge SG Solé Master White			
19B	63900041NSR	1	Temperature Gauge SG Solé Master Black			
20	63900018	1	Gasket Panel SSG30			
21A	61100000	1	Resistance 12V 18 Ohm with Connectors Panel SG			
Figure A for 12V System						
21B	61100001	1	Resistance 24V 75 Ohm with Connectors Panel SG			
Figure b for 24V System						
22	63900040	1	Buzzer Bracket			
23	53033005	2	Washer GROWER DIN 127-5			
24	52120004	2	Nut DIN 934 M4 8.8			
NS	LLAVERO.1A	1	Floating Keyring Solé Diesel			

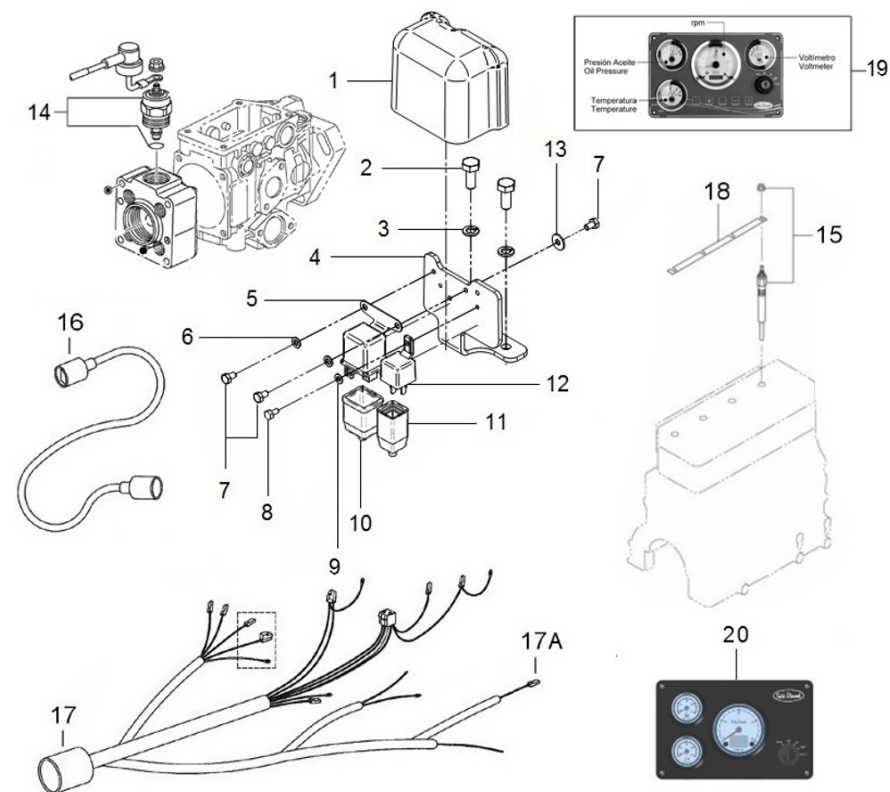


D_ALARPRO_1 Engine Extension

Fig.	Ref.	Qty.	Descr.	Obs	From	UpTo
1A	60938210.1	1	Engine Wiring Ext. 3 M. SUPERSEAL			
1B	60985210.1	1	Engine Wiring Ext. 4 M. SUPERSEAL			
1C	60938211	1	Engine Wiring Ext. 8 M. SUPERSEAL			
1D	60985210.12.1	1	Engine Wiring Ext. 12 M. SUPERSEAL			
1E	60985210.15.1	1	Engine Wiring Ext. 15 M. SUPERSEAL			
1F	60985210.24.1	1	Engine Wiring Ext. 24 M. SUPERSEAL			
1G	60974552	1	3-way Wiring Wxtension for Auxiliary Kits 4 m			
1H	60900165	1	3-way Wiring Extension for Auxiliary Kits 6 m			
1I	60900166	1	3-way Wiring Extension for Auxiliary Kits 12 m			
1J	60900167	1	3-way Wiring Extension for Auxiliary Kits 24 m			

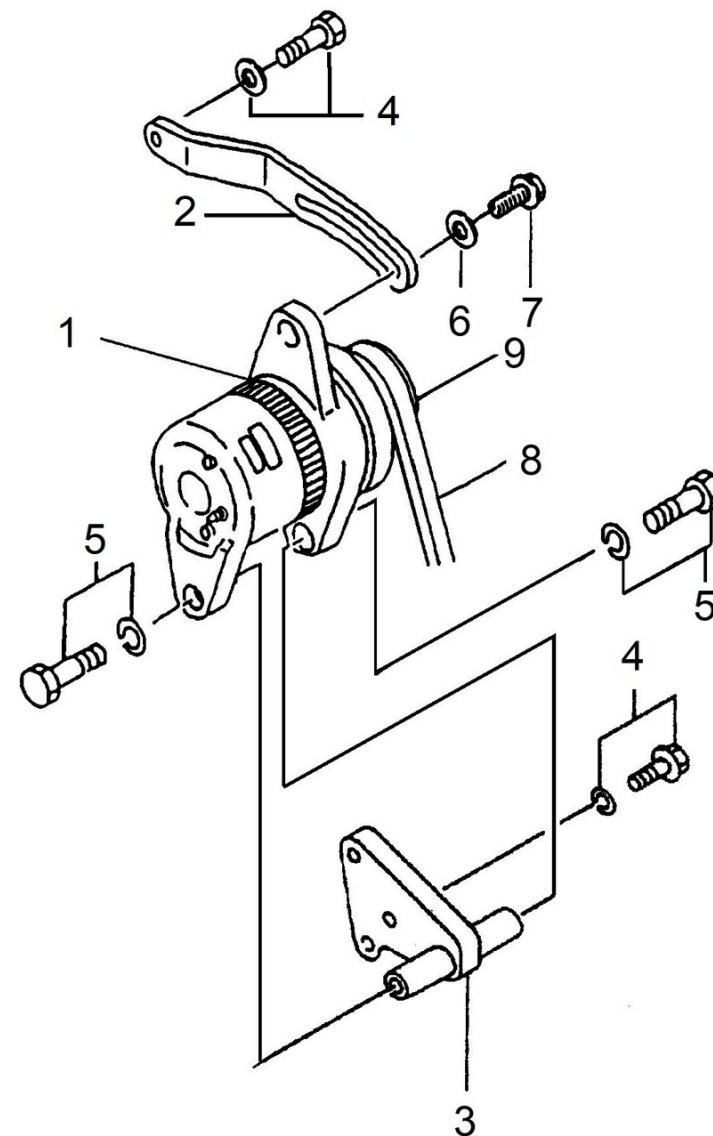


D_MIE1_6_5 24V Electrical Wiring					
Fig.	Ref.	Qty.	Descr.	Obs	UpTo
1	13817003	1	Cover		
2	52102308	2	Bolt DIN 933 M10-25 8.8		
3	53033010	2	Washer GROWER DIN 127-10		
4	17817001	1	Bracket		
5	17527006	1	Glow Relay 24V		
6	51030006	2	Washer DIN 125-6		
7	52102154	3	Bolt DIN 933 M6-10 8.8		
8	52102104	1	Bolt DIN 933 M5-10 8.8		
9	51030005	1	Washer DIN 125-5		
10	13817007	1	Rubber Cover		
11	13817006	1	Cover		
12	17417005.1	1	Relay 24V 24-22A		
13	51031006	1	Washer DIN 9021 6		
15	17A27017	4	Glow Plug 24V		
16	60938210.1	1	Engine Wiring Ext. 3 M. SUPERSEAL		
17	60978200R	1	Wiring Electrical SM-82/94 SVT		
17A	60900179	1	Fuse 10A		
18	17427018	1	Plate Glow Plug		
19	17125301A	1	SOLENOID 24V.		
19	60978100R	1	SVT 30 SM-82/94 Panel (Repl.)		04/03/2024
20A	63978321NS	1	Panel SSG 30 SM-82/94 ETR 24V Black		04/03/2024
20B	63978321BS	1	Panel SSG 30 SM-82/94 ETR 24V White		04/03/2024
20C	63978321BSL	1	Panel SSG 30 SM-82/94 ETR 24V White Earth Isolated		04/03/2024
20D	63978321NSL	1	Panel SSG 30 SM-82/94 ETR 24V Black Earth Isolated		04/03/2024

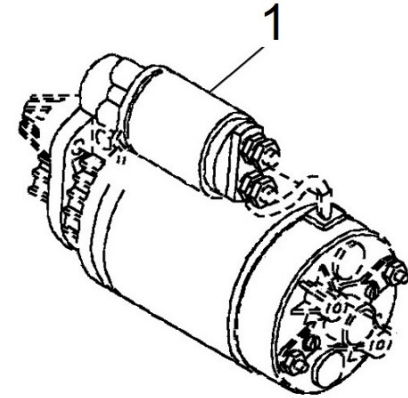


D_MI74_6_1 Alternator 28V/55A

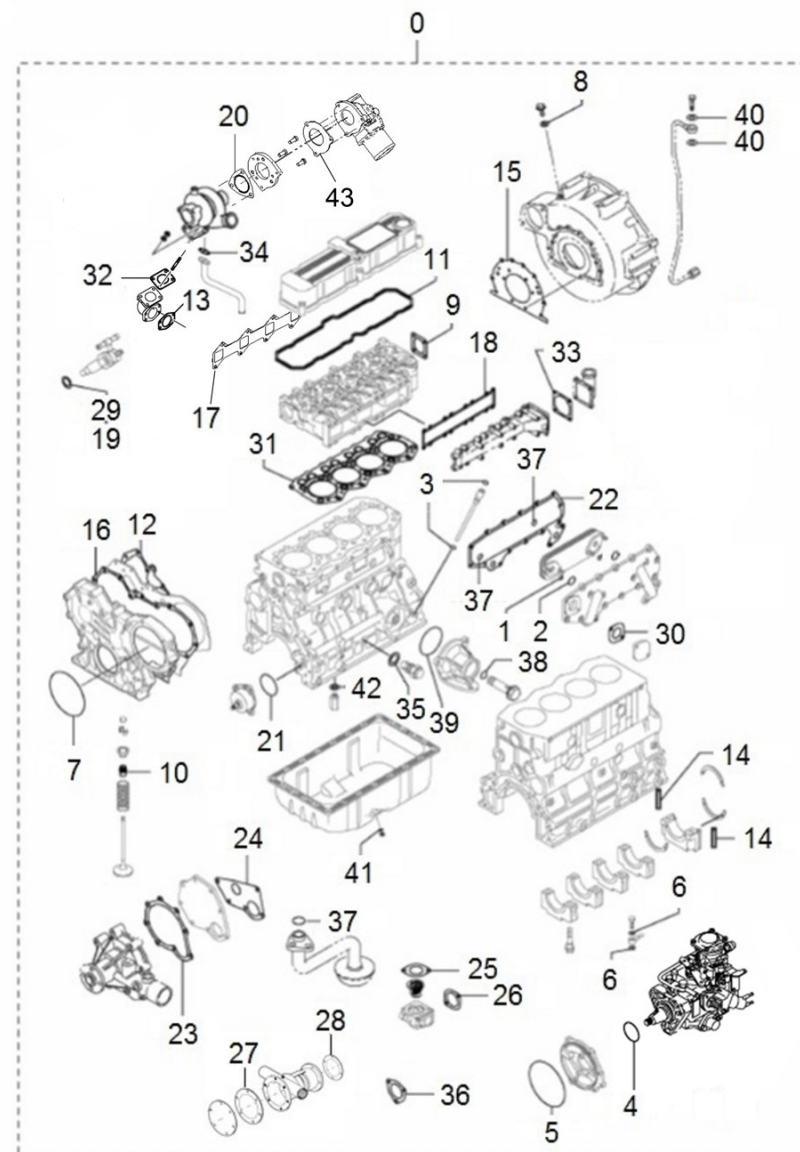
Fig.	Ref.	Qty.	Descr.	Obs	From	UpTo
1	17417024	1	Alternator 28V/55A			
2	17427007	1	Plate,Adjusting			
3	17427002.2	1	Bracket,Alternator			
4	17121012	2	Bolt, w/washer			
5A	52202309	2	Bolt DIN 933 M10-1,25-30 8.8			
5B	53038010	2	Washer DIN 6798-A 10			
6	51031008	1	Washer DIN 9021 8			
7	13827012	1	Bolt			
8	17521028	1	Belt Type AX 45 1175			
9	17117022	1	Pulley Alternator, Type A		18/07/2017	
9	17417022	1	Pulley			18/07/2017



D_MI74_6_3 Starter						
Fig.	Ref.	Qty.	Descr.	Obs	From	UpTo
1	17527001.2	1	Starter Assy 24V			

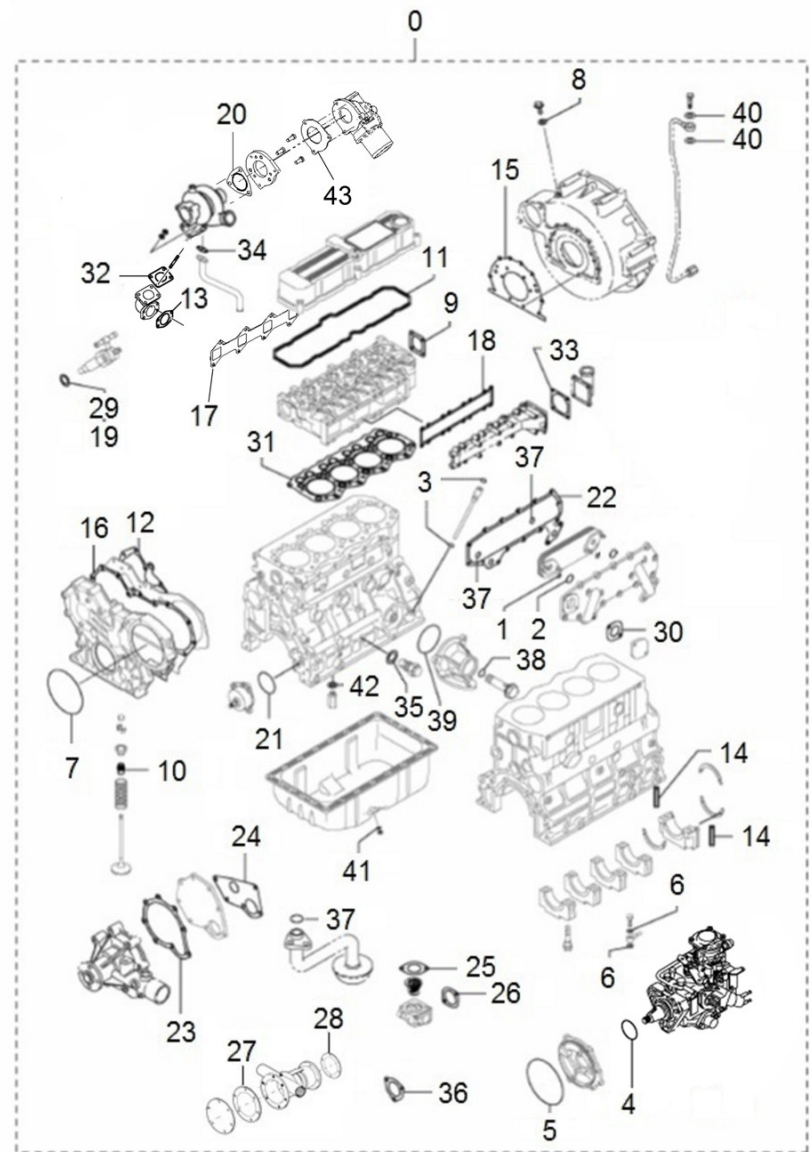


D_17820101		Gasket Kit			
Fig.	Ref.	Qty.	Descr.	Obs	From UpTo
0	17820101	1	Gasket Kit		
1	17822115	4	O-Ring		
2	17520017	2	O-Ring D. 30X3,4		
3	17120058	2	O-Ring D. 13X2,5		
4	17825007	1	O-Ring		
5	17825006	1	O-Ring		
6	17520074	2	Washer,SealING		
7	17420047	1	O-Ring D. 140X2		
8	17121013	2	Gasket		
9	17421011	1	Gasket		
10	17422054	8	Seal,Valve Stem		
11	17421010	1	Rocker Cover Gasket		
12	17420018	1	Gasket,Front Plate		
13	17421007	1	Gasket,Exhaust		
14	17420112	2	Seal,Valve		
15	17420025	1	Gasket,Rear		
16	17420040	1	Gasket,Gear		
17	17421035	1	Gasket,Exhaust Manifold		
18	17421032	1	Gasket IN.MANIFOLD		
19	17024013	4	Gasket Nozzle		
20	17421014	1	Gasket		
21	17424055	1	O-Ring D. 60X2		
22	17822112	1	Gasket, Side Cover		
23	17421022	1	Gasket,Pump Cover		
24	17421041	1	Gasket,Side Cover		
25	17111021	1	Gasket		
26	17421016G.2	1	Gasket (Generator)		
27	34711003	1	Gasket Cover		
28	13310013	1	Gasket,water pump		
29	17824007	4	Gasket, Nozzle		
30	17420048	1	Gasket		



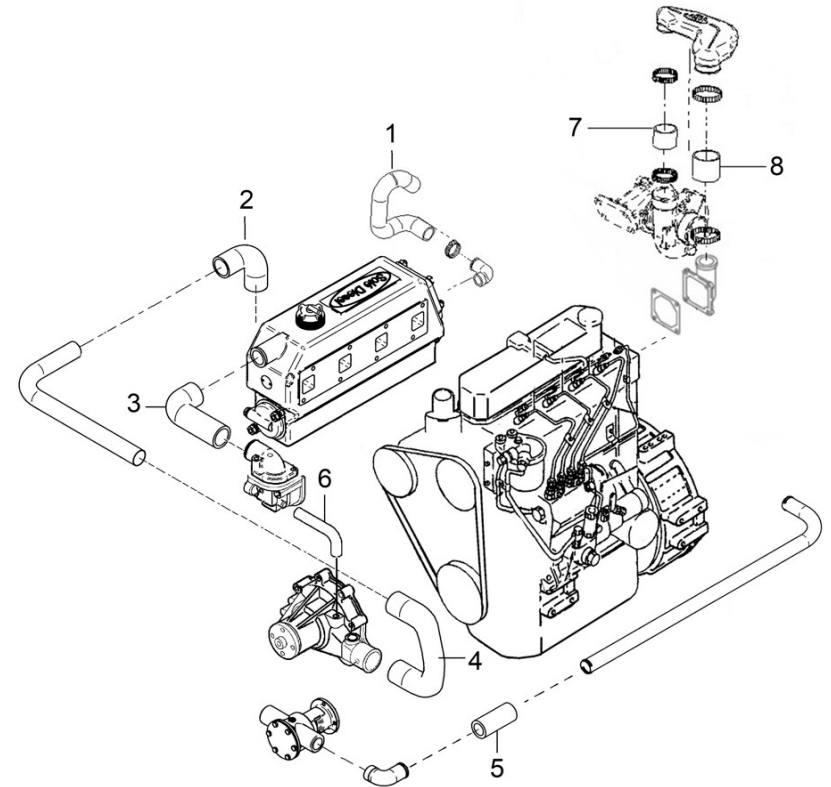
D_17820101 Gasket Kit

Fig.	Ref.	Qty.	Descr.	Obs	From	UpTo
31	17821004	1	Gasket,Cylinder Head			
32	17420049	1	Gasket			
33	17421042	1	Gasket			
34	17524091	1	Gasket,Oil Pipe			
35	17424063	1	Gasket			
36	17821014	1	Gasket			
37	17424060	3	O-Ring D. 22X2,4			
38	17524056	1	O-Ring D. 40X6			
39	17524059	1	O-Ring D. 95X3			
40	17124056	2	Gasket			
41	17120074	1	Gasket			
42	17420017	2	Gasket			
43	17813016	1	Gasket			



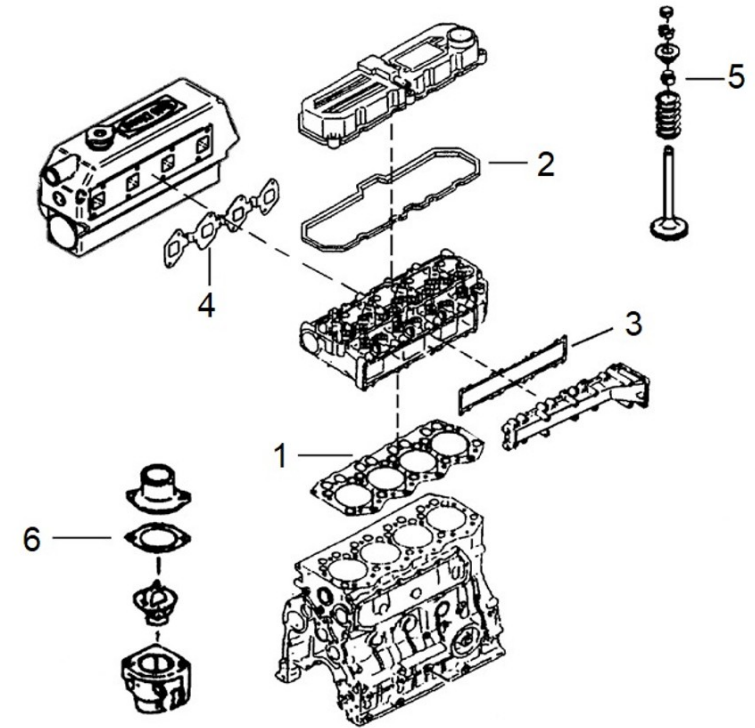
17811100 Pipe Rubber Set,Water Line SM-82/SM-94

Fig.	Ref.	Qty.	Descr.	Obs	From	UpTo
1	17811034	1	Rubber Wet Exhaust Inlet Bend			
2	15211026	1	Elbow,rubber			
3	17411013	1	Thermostat Water Outlet Elbow			
4	16711016	1	Rubber Elbow			
5	13211036	1	Pipe 30-40-100			
6	17421025	1	Hose,BY-PASS			
7	17810030	1	Hose			
8	17810031	1	Hose			



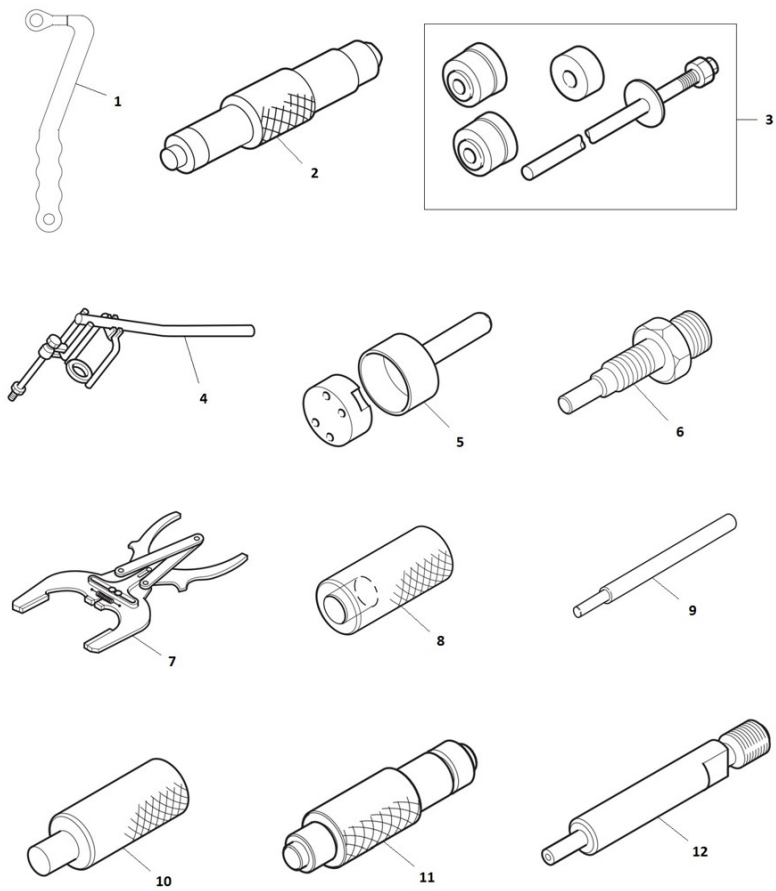
17820101.1 Gasket Kit SM-82/94

Fig.	Ref.	Qty.	Descr.	Obs	From	UpTo
1	17821004	1	Gasket,Cylinder Head			
2	17421010	1	Rocker Cover Gasket			
3	17421032	1	Gasket IN.MANIFOLD			
4	17421035	1	Gasket,Exhaust Manifold			
5	17422054	8	Seal,Valve Stem			
6	17821031	1	Gasket			



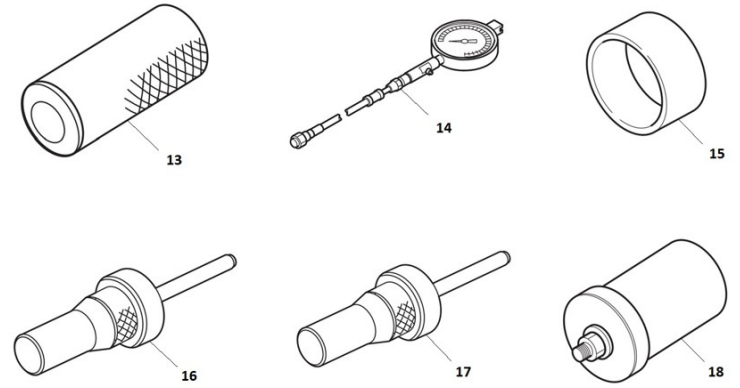
D_UTILFA0971_1 Special Tools

Fig.	Ref.	Qty.	Descr.	Obs	From	UpTo
1	13811063	1	Refrigerator Mounting Key			
2	U3009107300	1	Idler Bushing Installer			
3	U3069100010	1	Camshaft Bushing Installer Set			
4	U3069104500	1	Valve Spring Pusher			
5	U3069113010	1	Oil seal sleeve installer set			
6	U3069121100	1	Gauge Adapter			
7	UMM74007	1	Piston Ring Pliers			
8	U32A9100100	1	Valve Guide Installer			
9	U32A9100300	1	Valve Guide Remover			
10	U32A9100400	1	Oil Pump Bushing Installer			
11	U32A9100500	1	Connecting rod bushing puller			
12	U32A9101100	1	Gauge adapter (direct injection)			



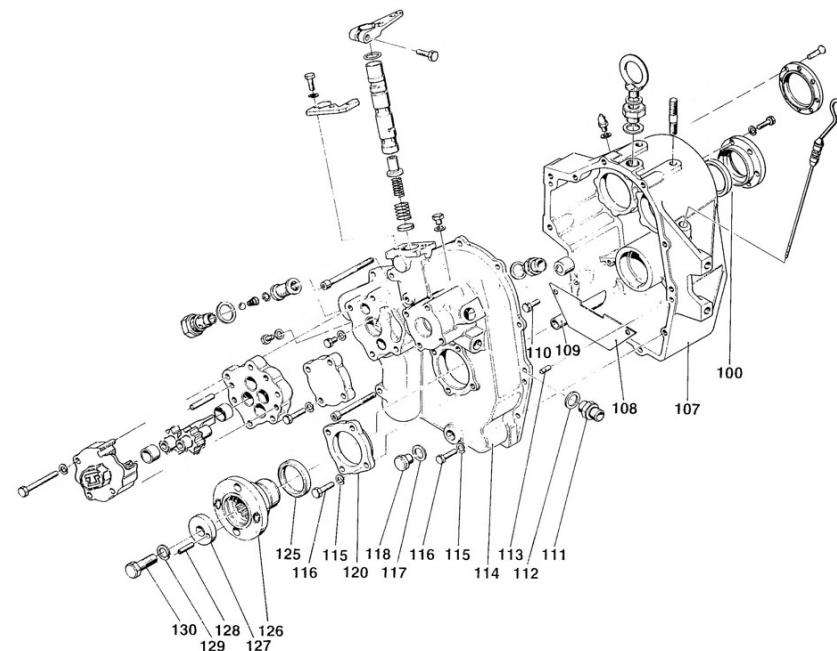
D_UTILFA0971_2 Special Tools

Fig.	Ref.	Qty.	Descr.	Obs	From	UpTo
14	19440400.2	1	Compression Manometer 10-60 Bar			
15	U3449100200	1	Piston Installer			
16	U3449103020	1	Valve Sheet Insert Caulking Tool			
17	U3679100200	1	Valve Sheet Insert Caulking Tool			
18	UMH061077	1	Idler Shaft Puller			



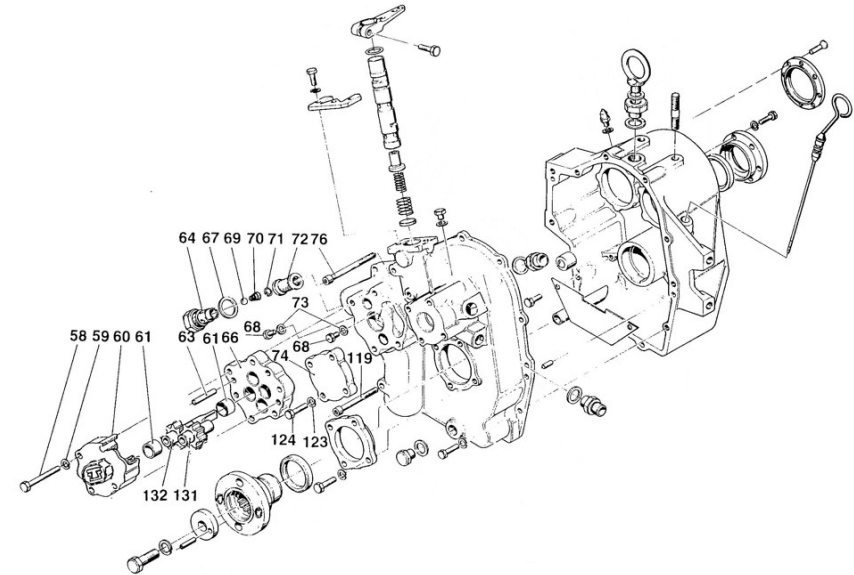
D_5030_1.1 Sheet 1.1/4

Fig.	Ref.	Qty.	Descr.	Obs	From	UpTo
100	24810103S	1	Grommet, Oil SILICON			
107	24810001	1	Front Body TM 93			
108	24810080	1	Plate Pipe			
109	24810081	1	ASPIRATION Tube			
110	24810082	2	Screw			
111	24810060	1	Racord			
112	24810059	1	Plane Washer			
113	24810085	2	Pin			
114	24810002	1	Reverse Body TM 93			
115	53033008	13	Washer GROWER DIN 127-8			
116	52102258	13	Bolt DIN 933 M8-25 8.8			
117	24810088	1	Plane Washer			
118	24810011	1	Plug,oil drain			
120	24810090	1	Cover			
125	24810214	1	Oil Grommet			
126	24810224	1	Flange, Output			
127	24810219	1	BUTT Washer			
128	24840220	1	Pin			
129	24810221	1	Washer			
130	24810222	1	Bolt DIN 933 M14X40 12.9			
NS	24810046	1	Pump Assy Oil			
NS	24810098	3	Screw			



D_5030_1.2 Sheet 1.2/4

Fig.	Ref.	Qty.	Descr.	Obs	From	UpTo
58	52101266	4	Bolt DIN 931 M8-65 8.8			
58	52101266	4	Bolt DIN 931 M8-65 8.8			
59	24810014	4	Washer			
59	24810014	4	Washer			
60	24810004	1	Oil Pump Body Cover			
60	24810004	1	Oil Pump Body Cover			
61	24810025	4	Bushing			
61	24810025	4	Bushing			
63	24820023.1	2	Pin			
63	24820023.1	2	Pin			
64	24810024	1	Plug, Oil Filter DRAIN			
64	24810024	1	Plug, Oil Filter DRAIN			
66	24810003	1	Oil Pump Body, Engine Side			
66	24810003	1	Oil Pump Body, Engine Side			
67	24810027	1	Washer			
67	24810027	1	Washer			
68	24810028	2	Screw			
68	24810028	2	Screw			
69	18024143	1	Ball,steel 1/2"			
69	18024143	1	Ball,steel 1/2"			
70	24810030	1	Valve Spring			
70	24810030	1	Valve Spring			
71	24810032	1	SNAP Ring			
71	24810032	1	SNAP Ring			
72	24810035	1	Oil Filter			
72	24810035	1	Oil Filter			
73	24810036	2	Washer			
73	24810036	2	Washer			
74	24810038	1	Cover			
74	24810038	1	Cover			
76	24810040	1	Screw			



D_5030_1.2 Sheet 1.2/4

Fig.	Ref.	Qty.	Descr.	Obs	From	UpTo
119	24810089	1	Screw			
123	53033008	4	Washer GROWER DIN 127-8			
123	53033008	4	Washer GROWER DIN 127-8			
124	52102258	4	Bolt DIN 933 M8-25 8.8			
124	52102258	4	Bolt DIN 933 M8-25 8.8			
131	24810095	1	Gear, Driven			
131	24810095	1	Gear, Driven			
132	24810096	1	Gear, Driver			
132	24810096	1	Gear, Driver			
NS	52103158	3	Bolt DIN 912 M6-25 8.8			
NS	52103158	3	Bolt DIN 912 M6-25 8.8			

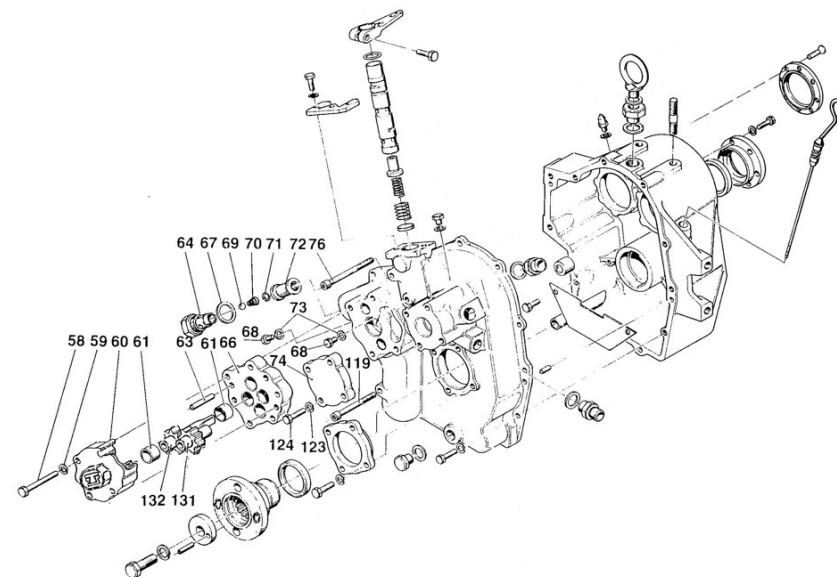
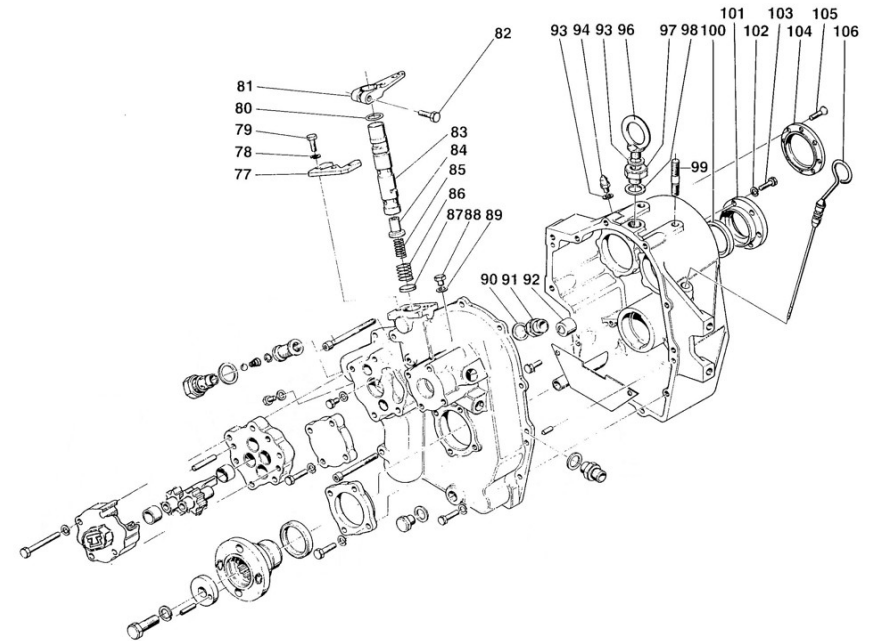
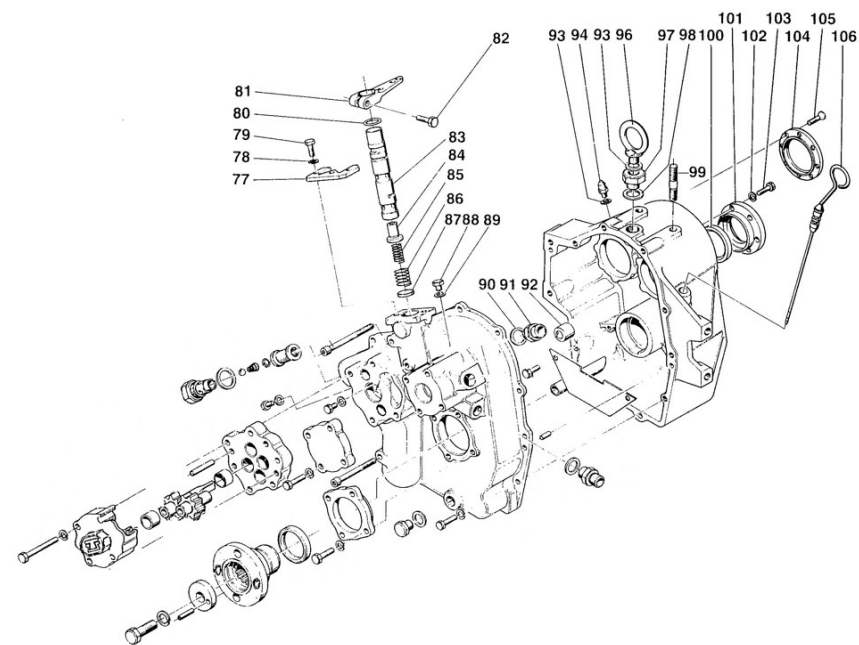


Fig.	Ref.	Qty.	Descr.	Obs	From	UpTo
77	24810041	1	Support			
77	24810041	1	Support			
78	24810042	2	Washer			
78	24810042	2	Washer			
79	24810044	2	Screw			
79	24810044	2	Screw			
80	24810056	1	O-Ring			
80	24810056	1	O-Ring			
81	24810424	1	Lever			
81	24810424	1	Lever			
82	24810047	1	Screw			
82	24810047	1	Screw			
83	24810051	1	Distributor			
83	24810051	1	Distributor			
84	24810052	1	Valve			
84	24810052	1	Valve			
85	24810053	1	Spring, Valve INNER			
85	24810053	1	Spring, Valve INNER			
86	24810054	1	Spring, Valve			
86	24810054	1	Spring, Valve			
87	24810055	1	Expansion Plug			
87	24810055	1	Expansion Plug			
88	24810028	1	Screw			
88	24810028	1	Screw			
89	24810036	1	Washer			
89	24810036	1	Washer			
90	24810059	1	Plane Washer			
90	24810059	1	Plane Washer			
91	24810060	1	Racord			
91	24810060	1	Racord			
92	24810062	1	Valve BY PASS			



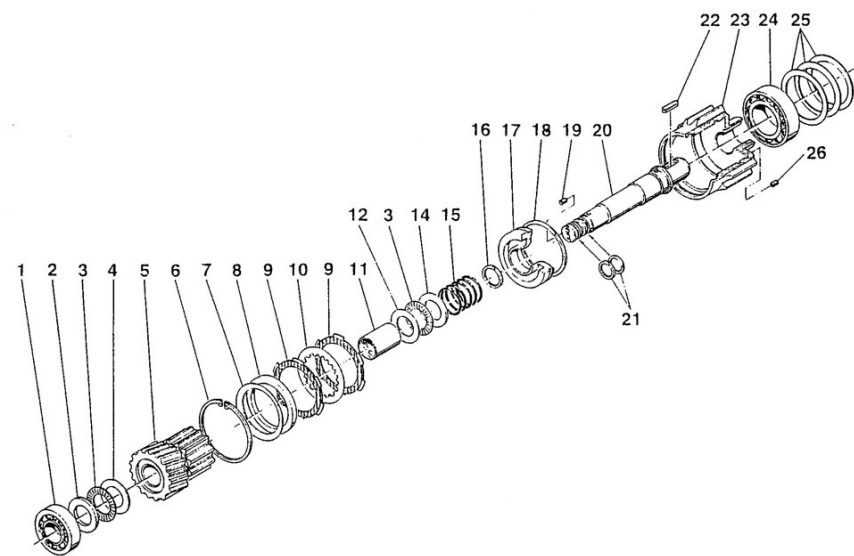
D_5030_1.3 Sheet 1.3/4

Fig.	Ref.	Qty.	Descr.	Obs	From	UpTo
93	24810063	2	Plane Washer			
94	24810065	1	Plug			
94	24810065	1	Plug			
96	24810012	1	Nut			
96	24810012	1	Nut			
97	24810068	1	Plug			
97	24810068	1	Plug			
98	56000083	1	Washer 21-26-1,5			
98	56000083	1	Washer 21-26-1,5			
99	24810071	2	Stud			
99	24810071	2	Stud			
100	24810103S	1	Grommet, Oil SILICON			
100	24810103S	1	Grommet, Oil SILICON			
101	24810072	1	Cover			
101	24810072	1	Cover			
102	53033008	6	Washer GROWER DIN 127-8			
102	53033008	6	Washer GROWER DIN 127-8			
103	52102258	6	Bolt DIN 933 M8-25 8.8			
103	52102258	6	Bolt DIN 933 M8-25 8.8			
104	24810075	1	Cover			
104	24810075	1	Cover			
105	24810076	8	Screw			
105	24810076	8	Screw			
106	24830008	1	ROD, LEVEL Oil			
106	24830008	1	ROD, LEVEL Oil			



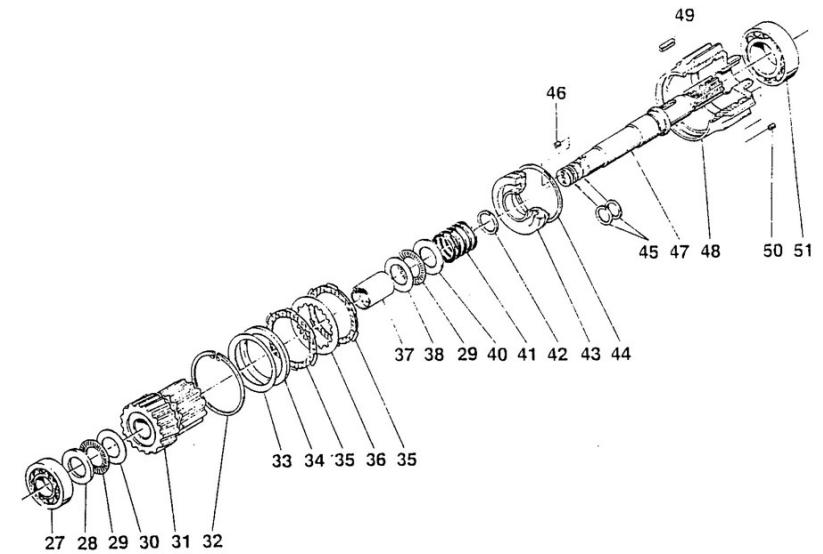
D_5030_2 Intermediate Shaft 2/4

Fig.	Ref.	Qty.	Descr.	Obs	From	UpTo
1	24870207	1	Bearing			
2	24810307	1	Washer			
3	24810309	2	Roller			
4	24810310	1	Ring			
5A	24812302	1	Gear R. 1,5 TM 93			
5B	24813302	1	Gear R. 2 TM 93			
5C	24814302	1	Gear R. 2,4 TM 93			
5D	24815302	1	Gear R. 2,8 TM 93			
6	24810312	1	SNAP Ring			
7	24810313	1	Ring			
8	24810314	1	Grommet			
9	24810315	10	Disk			
10	24810316	9	Disk			
11	24810317	1	BushING			
12	24870118	1	THRUST RACE			
14	24870318	1	THRUST RACE			
15	24810322	1	Spring			
16	24810323	1	Washer			
17	24810324	1	Piston			
18	24810325	1	Washer			
19	24810326	1	Plug			
20	24810301	1	INTERMEDIATE Shaft			
21	24810328	2	Washer			
22	24810329	1	KEY			
23	24810330	1	Bell			
24	24870206	1	Bearing			
25	24810333	0	Spacer	#		
26	24810334	1	Plug			



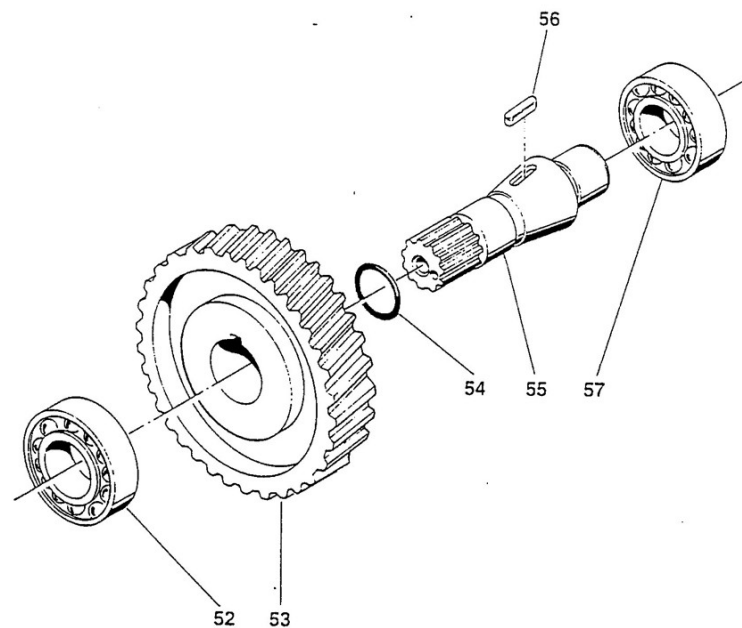
D_5030_3 Input Shaft 3/4

Fig.	Ref.	Qty.	Descr.	Obs	From	UpTo
27	24870207	1	Bearing			
28	24810307	1	Washer			
29	24810309	2	Roller			
30	(*)	1	Not available			
31A	24812302	1	Gear R. 1,5 TM 93			
31B	24813302	1	Gear R. 2 TM 93			
31C	24814302	1	Gear R. 2,4 TM 93			
31D	24815302	1	Gear R. 2,8 TM 93			
32	24810312	1	SNAP Ring			
33	24810313	1	Ring			
34	24810314	1	Grommet			
35	24810315	10	Disk			
36	24810316	9	Disk			
37	24810317	1	BushING			
38	24870118	1	THRUST RACE			
40	24870318	1	THRUST RACE			
41	24810322	1	Spring			
42	24810323	1	Washer			
43	24810324	1	Piston			
44	24810325	1	Washer			
45	24810328	2	Washer			
46	24810326	1	Plug			
47	24810101	1	Input Shaft			
48	24810330	1	Bell			
49	24810329	1	KEY			
50	24810334	1	Plug			
51	24870206	1	Bearing			



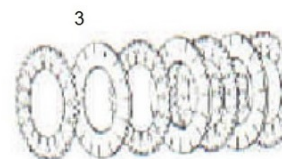
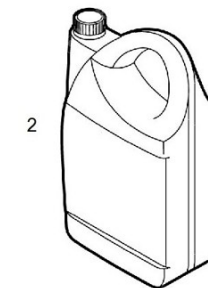
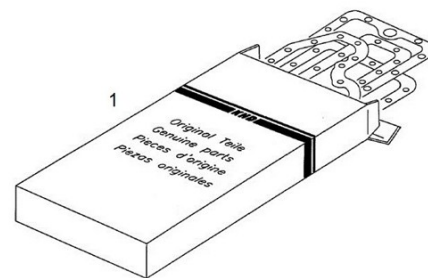
D_5030_4 Output Shaft 4/4

Fig.	Ref.	Qty.	Descr.	Obs	From	UpTo
52	24810206	1	Conical Roller Bearing 32208			
5355	24812201C	1	Gear+Output Shaft Kit R 1.51			
5355	24813201C	1	Gear+Output Shaft Kit R 2.09			
5355	24814201C	1	Gear+Output Shaft Kit R 2.40			
5355	24815201C	1	Gear+Output Shaft Kit R 2.77			
54	24810209	1	O-Ring D. 38X3,5			
57	24810212	1	Bearing			



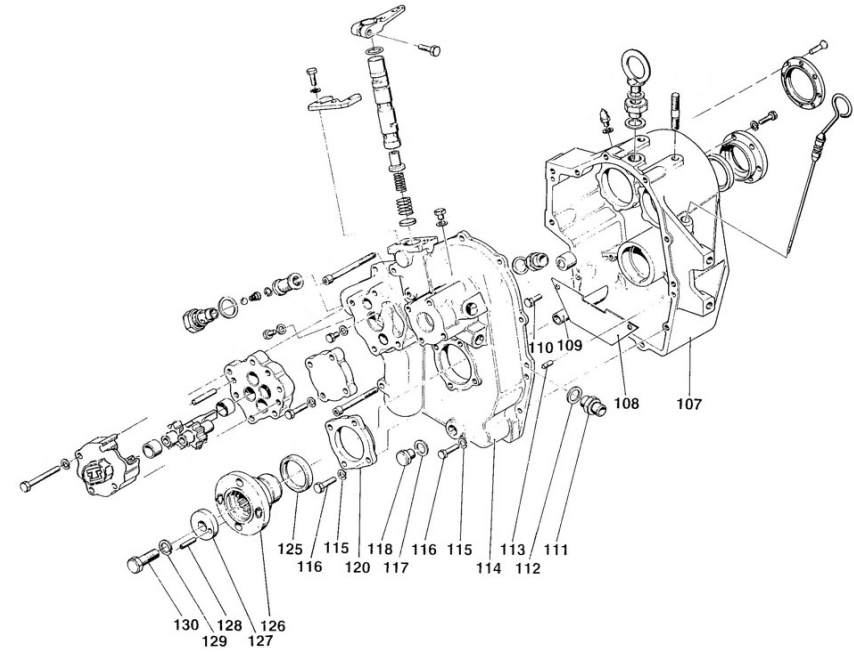
D_5030_5 Maintenance Kit

Fig.	Ref.	Qty.	Descr.	Obs	From	UpTo
1	24810401	1	Kit Gasket			
2	A0105000	1	15W40 Sole Diesel Oil 5L			
3	24810403	2	Clutch Plate Kit			



D_5031_1.1 Sheet 1.1/4

Fig.	Ref.	Qty.	Descr.	Obs	From	UpTo
107	24810001A	1	Front Body TM 93A			
108	24810080	1	Plate Pipe			
109	24810081	1	ASPIRATION Tube			
110	24810082	2	Screw			
111	24810060	1	Racord			
112	24810059	1	Plane Washer			
113	24810085	2	Pin			
114	24810002A	1	Reverse Body TM 93A			
115	53033008	13	Washer GROWER DIN 127-8			
116	52102258	13	Bolt DIN 933 M8-25 8.8			
117	24810088	1	Plane Washer			
118	24810011	1	Plug,oil drain			
120	24810090	1	Cover			
125	24810214	1	Oil Grommet			
126	24810224	1	Flange, Output			
127	24810219	1	BUTT Washer			
128	24840220	1	Pin			
129	24810221	1	Washer			
130	24810222	1	Bolt DIN 933 M14X40 12.9			
NS	24810046	1	Pump Assy Oil			
NS	24810098	3	Screw			



D_5030_1.2 Sheet 1.2/4

Fig.	Ref.	Qty.	Descr.	Obs	From	UpTo
58	52101266	4	Bolt DIN 931 M8-65 8.8			
58	52101266	4	Bolt DIN 931 M8-65 8.8			
59	24810014	4	Washer			
59	24810014	4	Washer			
60	24810004	1	Oil Pump Body Cover			
60	24810004	1	Oil Pump Body Cover			
61	24810025	4	Bushing			
61	24810025	4	Bushing			
63	24820023.1	2	Pin			
63	24820023.1	2	Pin			
64	24810024	1	Plug, Oil Filter DRAIN			
64	24810024	1	Plug, Oil Filter DRAIN			
66	24810003	1	Oil Pump Body, Engine Side			
66	24810003	1	Oil Pump Body, Engine Side			
67	24810027	1	Washer			
67	24810027	1	Washer			
68	24810028	2	Screw			
68	24810028	2	Screw			
69	18024143	1	Ball,steel 1/2"			
69	18024143	1	Ball,steel 1/2"			
70	24810030	1	Valve Spring			
70	24810030	1	Valve Spring			
71	24810032	1	SNAP Ring			
71	24810032	1	SNAP Ring			
72	24810035	1	Oil Filter			
72	24810035	1	Oil Filter			
73	24810036	2	Washer			
73	24810036	2	Washer			
74	24810038	1	Cover			
74	24810038	1	Cover			
76	24810040	1	Screw			

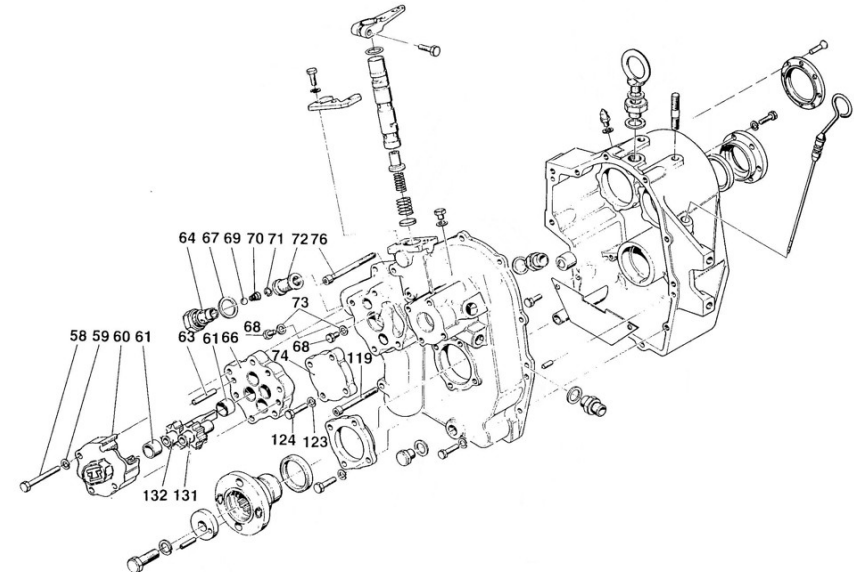


Fig.	Ref.	Qty.	Descr.	Obs	From	UpTo
119	24810089	1	Screw			
123	53033008	4	Washer GROWER DIN 127-8			
123	53033008	4	Washer GROWER DIN 127-8			
124	52102258	4	Bolt DIN 933 M8-25 8.8			
124	52102258	4	Bolt DIN 933 M8-25 8.8			
131	24810095	1	Gear, Driven			
131	24810095	1	Gear, Driven			
132	24810096	1	Gear, Driver			
132	24810096	1	Gear, Driver			
NS	52103158	3	Bolt DIN 912 M6-25 8.8			
NS	52103158	3	Bolt DIN 912 M6-25 8.8			

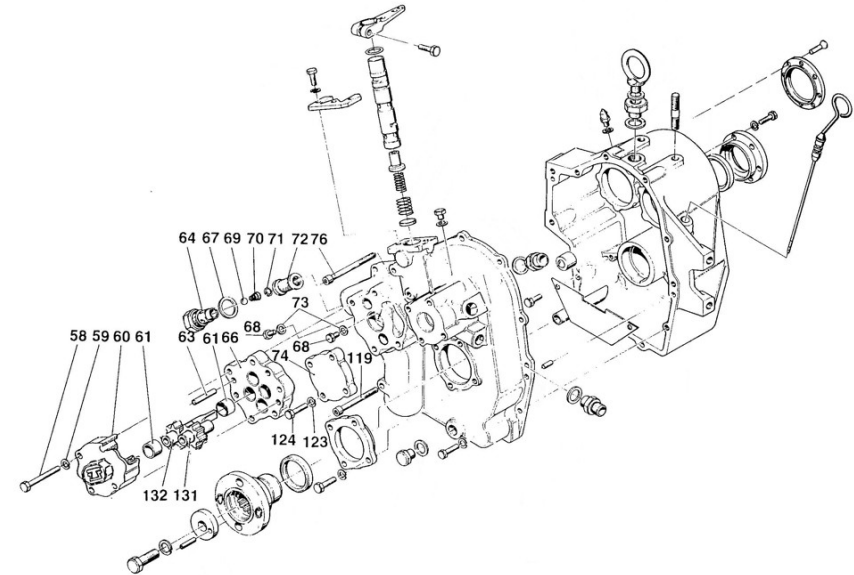
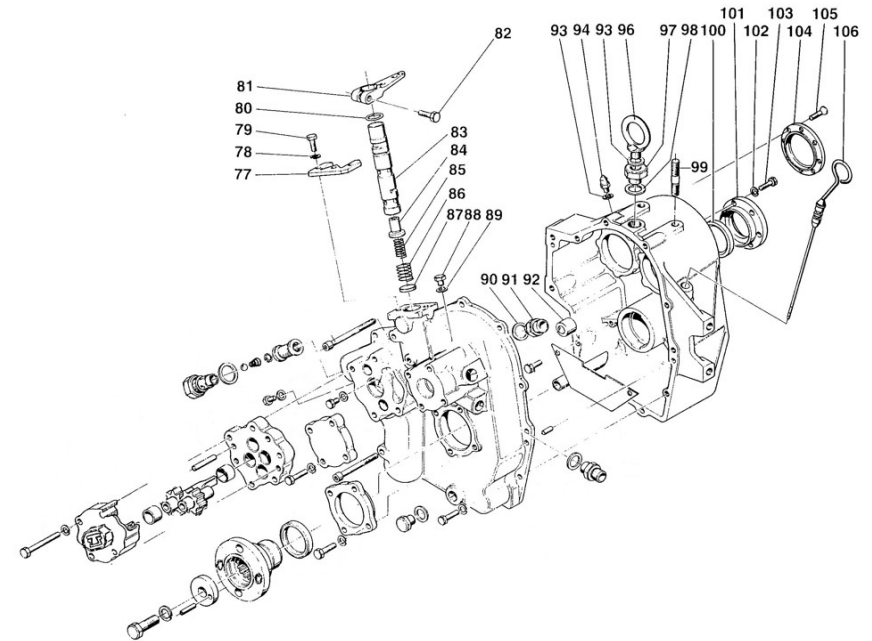
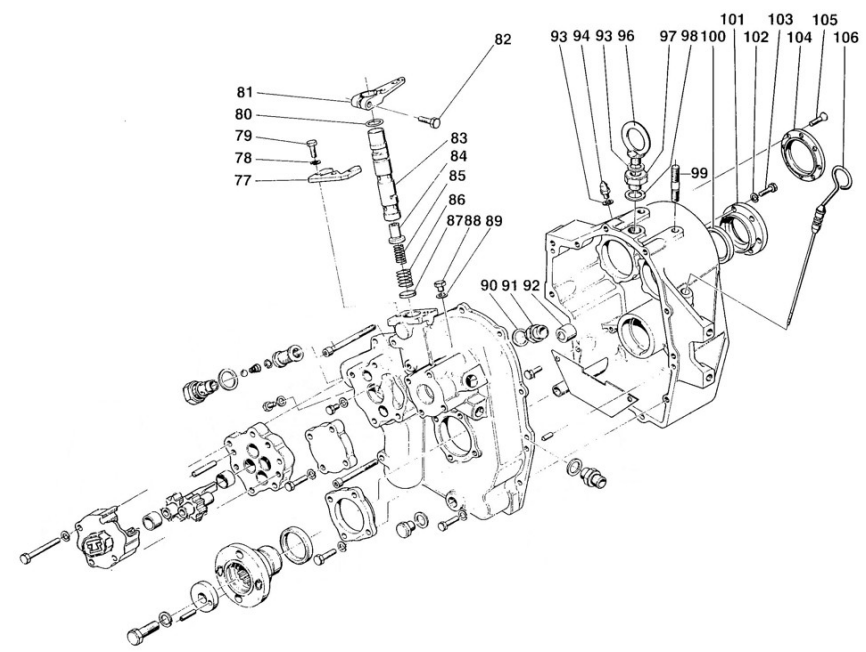


Fig.	Ref.	Qty.	Descr.	Obs	From	UpTo
77	24810041	1	Support			
77	24810041	1	Support			
78	24810042	2	Washer			
78	24810042	2	Washer			
79	24810044	2	Screw			
79	24810044	2	Screw			
80	24810056	1	O-Ring			
80	24810056	1	O-Ring			
81	24810424	1	Lever			
81	24810424	1	Lever			
82	24810047	1	Screw			
82	24810047	1	Screw			
83	24810051	1	Distributor			
83	24810051	1	Distributor			
84	24810052	1	Valve			
84	24810052	1	Valve			
85	24810053	1	Spring, Valve INNER			
85	24810053	1	Spring, Valve INNER			
86	24810054	1	Spring, Valve			
86	24810054	1	Spring, Valve			
87	24810055	1	Expansion Plug			
87	24810055	1	Expansion Plug			
88	24810028	1	Screw			
88	24810028	1	Screw			
89	24810036	1	Washer			
89	24810036	1	Washer			
90	24810059	1	Plane Washer			
90	24810059	1	Plane Washer			
91	24810060	1	Racord			
91	24810060	1	Racord			
92	24810062	1	Valve BY PASS			



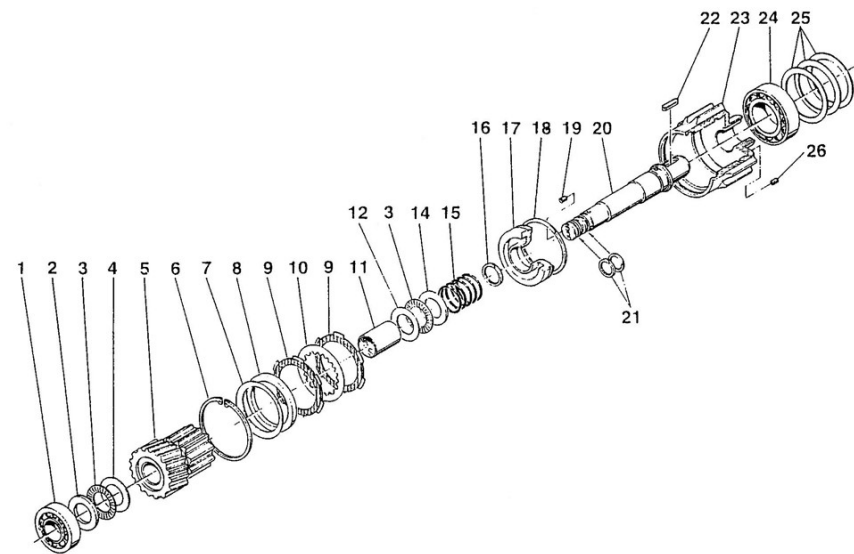
D_5030_1.3 Sheet 1.3/4

Fig.	Ref.	Qty.	Descr.	Obs	From	UpTo
93	24810063	2	Plane Washer			
94	24810065	1	Plug			
94	24810065	1	Plug			
96	24810012	1	Nut			
96	24810012	1	Nut			
97	24810068	1	Plug			
97	24810068	1	Plug			
98	56000083	1	Washer 21-26-1,5			
98	56000083	1	Washer 21-26-1,5			
99	24810071	2	Stud			
99	24810071	2	Stud			
100	24810103S	1	Grommet, Oil SILICON			
100	24810103S	1	Grommet, Oil SILICON			
101	24810072	1	Cover			
101	24810072	1	Cover			
102	53033008	6	Washer GROWER DIN 127-8			
102	53033008	6	Washer GROWER DIN 127-8			
103	52102258	6	Bolt DIN 933 M8-25 8.8			
103	52102258	6	Bolt DIN 933 M8-25 8.8			
104	24810075	1	Cover			
104	24810075	1	Cover			
105	24810076	8	Screw			
105	24810076	8	Screw			
106	24830008	1	ROD, LEVEL Oil			
106	24830008	1	ROD, LEVEL Oil			



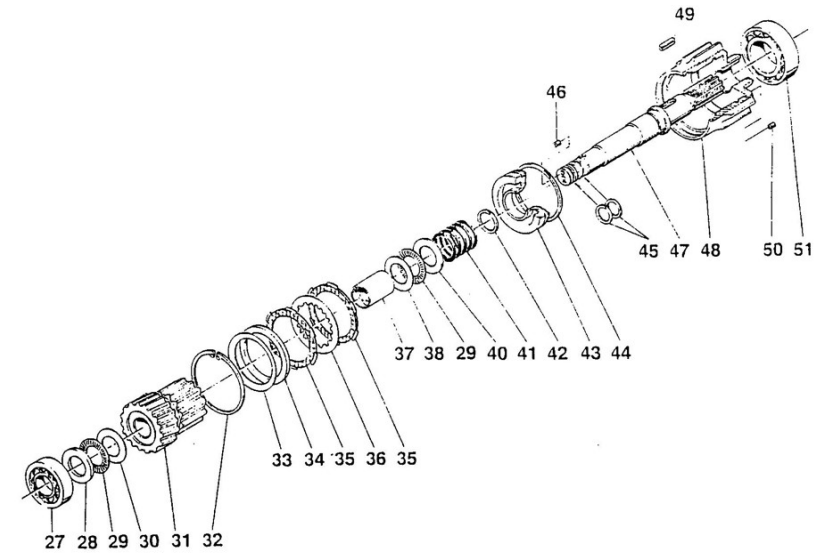
D_5031_2 Intermediate Shaft 2/4

Fig.	Ref.	Qty.	Descr.	Obs	From	UpTo
1	24870207	1	Bearing			
2	24810307	1	Washer			
3	24810309	2	Roller			
4	24810310	1	Ring			
5	24812302A	1	Gear R. 1,5 TM 93A			
5	24813302A	1	Gear Red. 2 TM 93A			
5	24814302A	1	Gear R. 2,4 TM 93A			
6	24810312	1	SNAP Ring			
7	24810313	1	Ring			
8	24810314	1	Grommet			
9	24810315	10	Disk			
10	24810316	9	Disk			
11	24810317	1	BushING			
12	24870118	1	THRUST RACE			
14	24870318	1	THRUST RACE			
15	24810322	1	Spring			
16	24810323	1	Washer			
17	24810324	1	Piston			
18	24810325	1	Washer			
19	24810326	1	Plug			
20	24810301	1	INTERMEDIATE Shaft			
21	24810328	2	Washer			
22	24810329	1	KEY			
23	24810330	1	Bell			
24	24870206	1	Bearing			
25	24810333	0	Spacer	#		
26	24810334	1	Plug			



D_5031_3 Input Shaft 3/4

Fig.	Ref.	Qty.	Descr.	Obs	From	UpTo
27	24870207	1	Bearing			
28	24810307	1	Washer			
29	24810309	2	Roller			
30	(*)	1	Not available			
31	24812302	1	Gear R. 1,5 TM 93			
31	24813302	1	Gear R. 2 TM 93			
31	24814302	1	Gear R. 2,4 TM 93			
32	24810312	1	SNAP Ring			
33	24810313	1	Ring			
34	24810314	1	Grommet			
35	24810315	10	Disk			
36	24810316	9	Disk			
37	24810317	1	BushING			
38	24870118	1	THRUST RACE			
40	24870318	1	THRUST RACE			
41	24810322	1	Spring			
42	24810323	1	Washer			
43	24810324	1	Piston			
44	24810325	1	Washer			
45	24810328	2	Washer			
46	24810326	1	Plug			
47	24810101	1	Input Shaft			
48	24810330	1	Bell			
49	24810329	1	KEY			
50	24810334	1	Plug			
51	24870206	1	Bearing			



D_5031_4 Output Shaft 4/4

Fig.	Ref.	Qty.	Descr.	Obs	From	UpTo
52	24810206	1	Conical Roller Bearing 32208			
5355	24812201AC	1	Gear+Output Shaft Kit			
5355	24813201AC	1	Gear+Output Shaft Kit r 2,09			
5355	24814201AC	1	Gear+Output Shaft Kit r 2,40			
54	24810209	1	O-Ring D. 38X3,5			
57	24810212	1	Bearing			

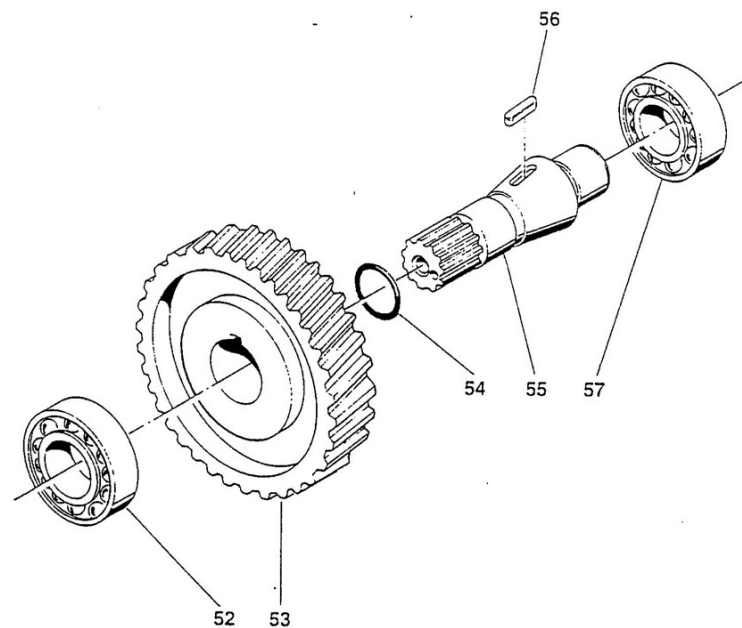


Fig.	Ref.	Qty.	Descr.	Obs	From	UpTo
1	24820090	2	Pin			
2	24816080	1	Plate Pipe			
3	24810082	2	Screw			
4	24820001	1	Front Body TM 170			
5	24810047	6	Screw			
6	24810014	6	Washer			
7	24820072	1	Cover Input Shaft			
8	24820103	1	Oil Grommet			
9	24810065	1	Plug			
10	24820005.1	1	NAME Plate			
11	24810071	2	Stud			
12	56000083	1	Washer 21-26-1,5			
13	24810012	1	Nut			
14	24810063	1	Plane Washer			
15	24810068	1	Plug			
16	24810008	1	ROD, Oil LEVEL			
17	24820071	2	Stud			
18	24820002	1	Reverse Body TM 170			
19	24810059	2	Plane Washer			
20	24810060	2	Racord			
21	24810062	1	Valve BY PASS			
22	24820086	1	Washer			
23	24830105	1	Plug			
24	24820102	1	Cover, REAR			

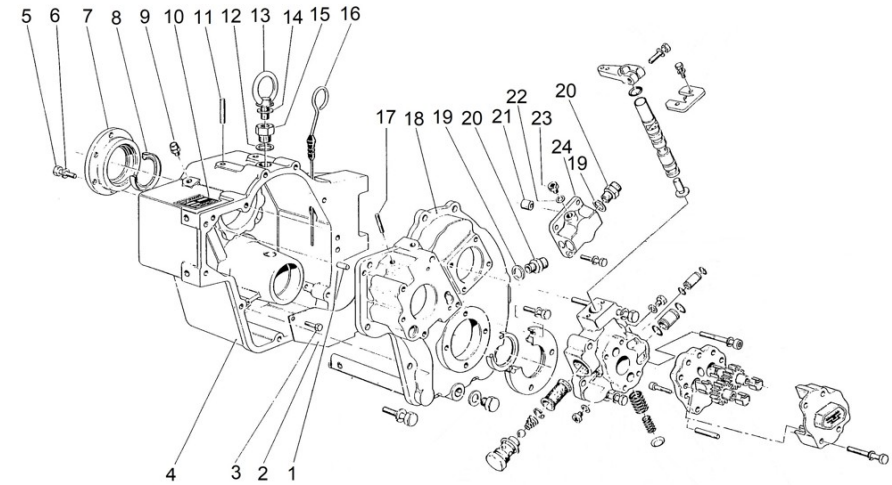
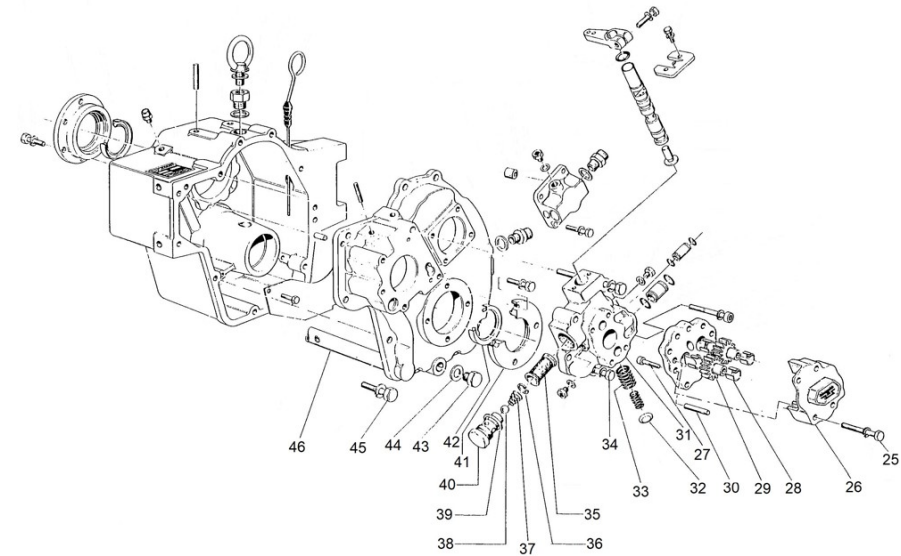


Fig.	Ref.	Qty.	Descr.	Obs	From	UpTo
25	24810013	4	Screw			
25	24810013	4	Screw			
26	24820015.1	1	Oil Pump Body			
26	24820015.1	1	Oil Pump Body			
27	24820025.1	3	Screw			
27	24820025.1	3	Screw			
28	24810025	4	Bushing			
28	24810025	4	Bushing			
29	24810096	1	Gear, Driver			
29	24810096	1	Gear, Driver			
30	24820023.1	2	Pin			
30	24820023.1	2	Pin			
31	24820026	1	Distributor Cap			
31	24820026	1	Distributor Cap			
32	24810055	1	Expansion Plug			
32	24810055	1	Expansion Plug			
33	24816054	1	Spring, Valve			
33	24816054	1	Spring, Valve			
34	24820098	2	Screw M10X50			
34	24820098	2	Screw M10X50			
35	24810035	1	Oil Filter			
35	24810035	1	Oil Filter			
36	24810032	1	SNAP Ring			
36	24810032	1	SNAP Ring			
37	24810030	1	Valve Spring			
37	24810030	1	Valve Spring			
38	18024143	1	Ball,steel 1/2"			
38	18024143	1	Ball,steel 1/2"			
39	24810027	1	Washer			
39	24810027	1	Washer			
40	24810024	1	Plug, Oil Filter DRAIN			



D_5026_1.2 Sheet 1.2/4

Fig.	Ref.	Qty.	Descr.	Obs	From	UpTo
41	24820208	1	Cover Front			
42	24820214	1	Grommet			
42	24820214	1	Grommet			
43	24810011	1	Plug,oil drain			
43	24810011	1	Plug,oil drain			
44	24810088	1	Plane Washer			
44	24810088	1	Plane Washer			
45	52101314	1	Bolt DIN 931 M10-55 8.8			
45	52101314	1	Bolt DIN 931 M10-55 8.8			
46	24816081	1	Aspiration Tube TM 880A			
46	24816081	1	Aspiration Tube TM 880A			
NS	52103311	9	Bolt DIN 912 M10-40 8.8			
NS	52103311	9	Bolt DIN 912 M10-40 8.8			

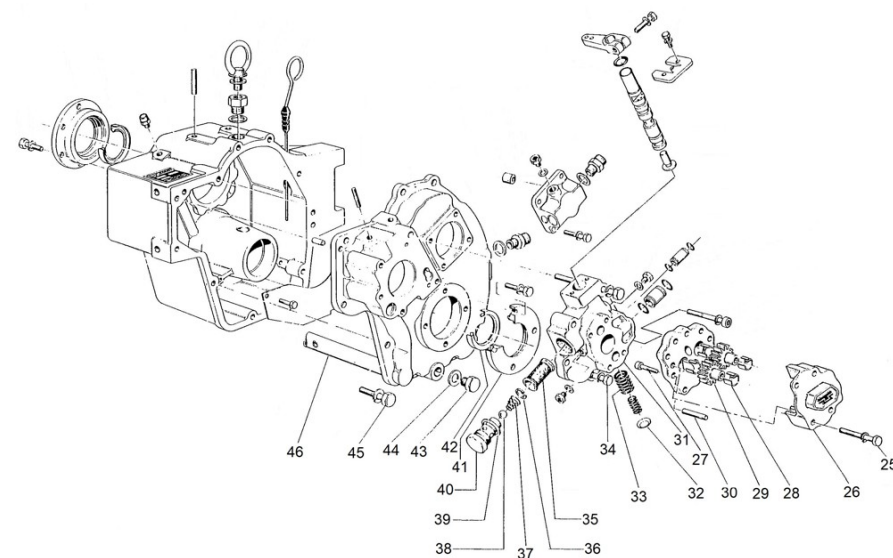
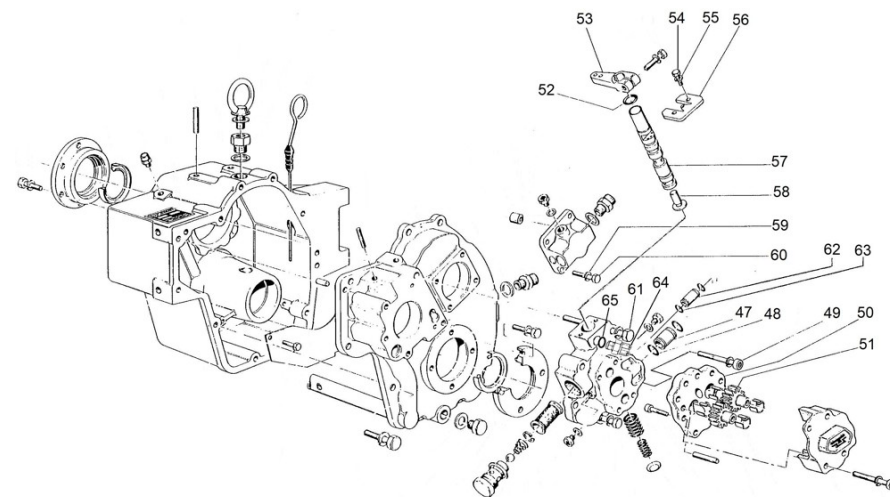
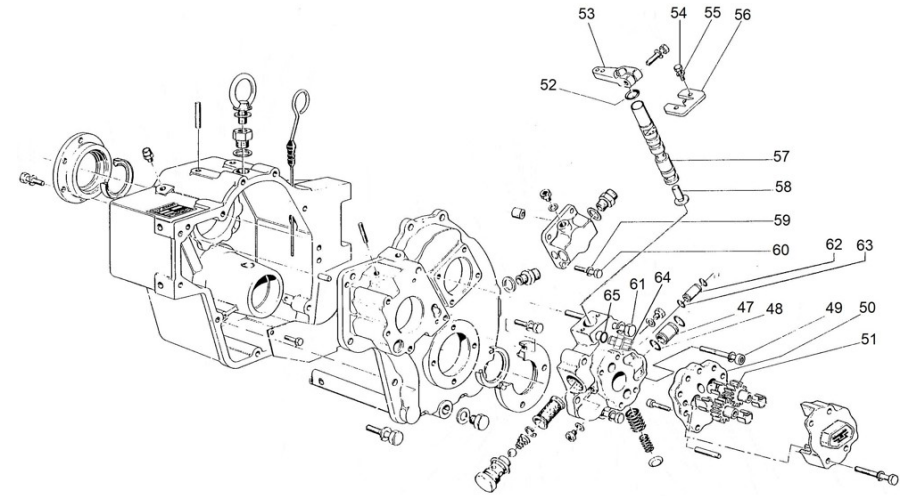


Fig.	Ref.	Qty.	Descr.	Obs	From	UpTo
47	24820062	2	Tube, Racord			
47	24820062	2	Tube, Racord			
48	24820063	2	O-Ring D. 15X1,7			
48	24820063	2	O-Ring D. 15X1,7			
49	24820013	2	Screw M10X30			
49	24820013	2	Screw M10X30			
50	24810026.1	3	Cover			
50	24810026.1	3	Cover			
51	24810095	3	Gear, Driven			
51	24810095	3	Gear, Driven			
52	24810056	1	O-Ring			
52	24810056	1	O-Ring			
53	24810424	1	Lever			
53	24810424	1	Lever			
54	24810044	2	Screw			
54	24810044	2	Screw			
55	24810042	2	Washer			
55	24810042	2	Washer			
56	24810041	1	Support			
56	24810041	1	Support			
57	24810051	1	Distributor			
57	24810051	1	Distributor			
58	24810052	1	Valve			
58	24810052	1	Valve			
59	24820075	4	Washer			
59	24820075	4	Washer			
60	24820076	4	Screw M10X30			
60	24820076	4	Screw M10X30			
61	24820087	1	Screw M10X130			
61	24820087	1	Screw M10X130			
62	24820060	1	Tube, Racord			



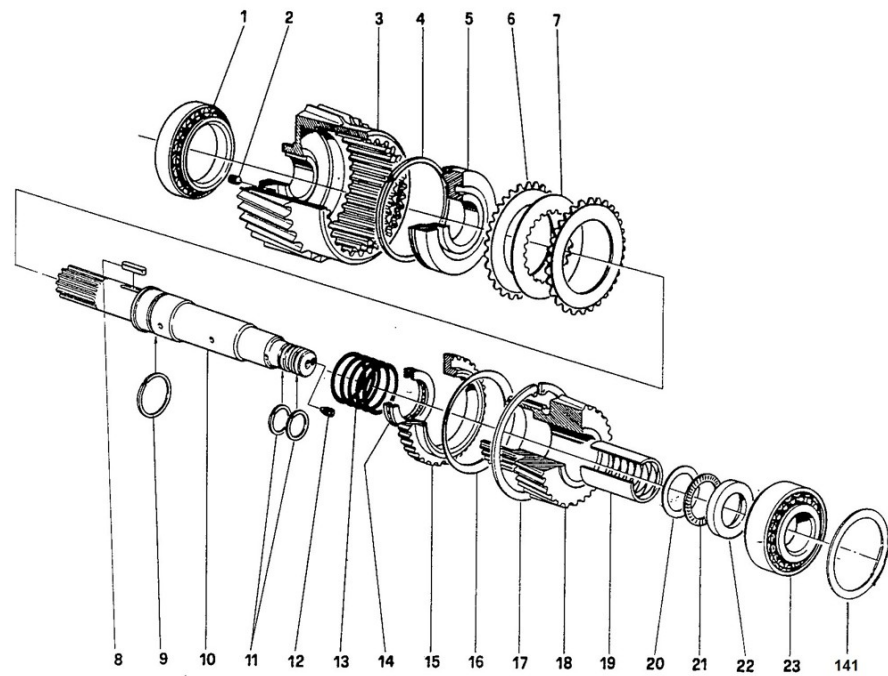
D_5026_1.3 Sheet 1.3/4

Fig.	Ref.	Qty.	Descr.	Obs	From	UpTo
63	24820059	2	O-Ring D. 10X1,7			
64	24810048	1	GR. Crazy Switch			
64	24810048	1	GR. Crazy Switch			
65	24810533	1	O-Ring D. 14X1,7			
65	24810533	1	O-Ring D. 14X1,7			



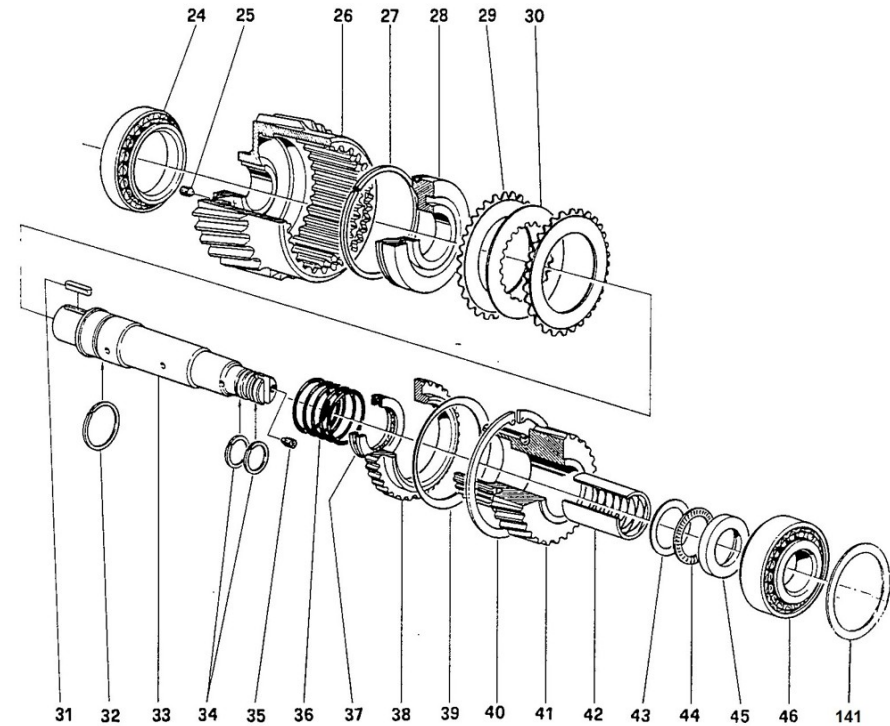
D_5027_2 Input Shaft 2/4

Fig.	Ref.	Qty.	Descr.	Obs	From	UpTo
1	24820134	1	Conical Roller Bearing 32011-JR			
2	24810334	1	Plug			
3	24820130	1	Bell			
4	24820125	1	Washer			
5	24820124	1	Piston			
6	24820115	9	Disk			
7	24820116	8	Disk			
8	24810211	1	KEY			
9	24820126	1	Washer			
10	24820101	1	Input Shaft			
11	24810328	2	Washer			
12	24810326	1	Plug			
13	24820122	1	Spring			
14	24820123	1	Bearing			
15	24820113	1	Grommet			
16	24820129	1	Ring			
17	24820128	1	SNAP Ring			
18A	24822302	1	Gear R. 1,50 TM 170			
18B	24823302	1	Gear R. 2,04 TM 170			
18C	24824302	1	Gear R. 2.50 TM 170			
18D	24825302	1	Gear Red. 2,94 TM 170			
19	24820117	1	Bushing			
20	24820118	1	Ring			
21	24820121	1	Roller Bearing AXK-4060			
22	24820105	1	Washer			
23	24820104	1	Conical Roller Bearing 32307			
141	24810333	0	Spacer	#		

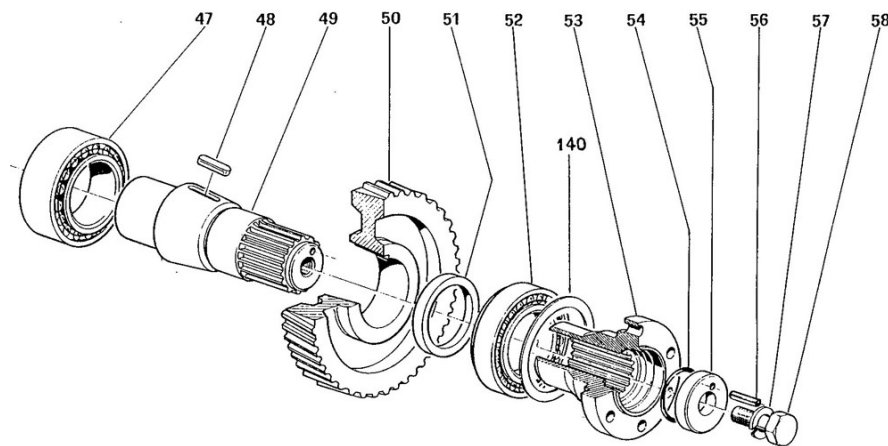


D_5027_3 Intermediate Shaft 3/4

Fig.	Ref.	Qty.	Descr.	Obs	From	UpTo
24	24820134	1	Conical Roller Bearing 32011-JR			
25	24810334	1	Plug			
26	24820330	1	Bell			
27	24820125	1	Washer			
28	24820124	1	Piston			
29	24820115	9	Disk			
30	24820116	8	Disk			
31	24810211	1	KEY			
32	24820126	1	Washer			
33	24820301	1	INTERMEDIATE Shaft			
34	24810328	2	Washer			
35	24810326	1	Plug			
36	24820122	1	Spring			
37	24820123	1	Bearing			
38	24820113	1	Grommet			
39	24820129	1	Ring			
40	24820128	1	SNAP Ring			
41A	24822302	1	Gear R. 1,50 TM 170			
41B	24823302	1	Gear R. 2,04 TM 170			
41C	24824302	1	Gear R. 2.50 TM 170			
41D	24825302	1	Gear Red. 2,94 TM 170			
42	24820117	1	Bushing			
43	24820118	1	Ring			
44	24820121	1	Roller Bearing AXK-4060			
45	24820105	1	Washer			
46	24820104	1	Conical Roller Bearing 32307			
141	24810333	0	Spacer	#		

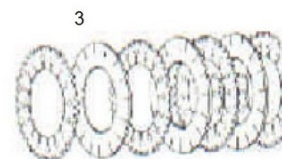
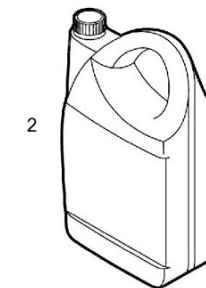
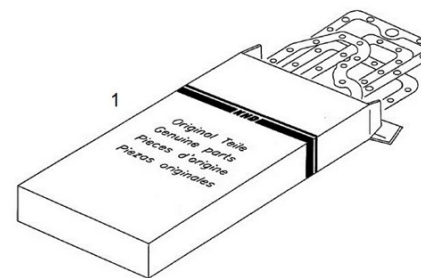


D_5027_4		Output Shaft 4/4				
Fig.	Ref.	Qty.	Descr.	Obs	From	UpTo
47	24820206	1	Conical Roller Bearing 33210			
4950	24822201C	1	Gear+Output Shaft Kit+Spacer			
4950	24823201C	1	Gear+Output Shaft Kit+Spacer			
4950	24824201C	1	Gear+Output Shaft Kit+Spacer			
4950	24825201C	1	Gear+Output Shaft Kit+Spacer			
51	24820209	1	Spacer, Output Shaft			
52	24820212	1	Conical Roller Bearing 30210-J2/Q			
53	24820224	1	Flange, Output			
54	24820225	1	O-Ring D. 45X3,5			
55	24820219	1	BUTT Washer			
56	24820220	1	Pin			
57	24820221	1	Washer D.16			21/09/2018
57	53033016C	1	Washer			22/09/2018
58	24820222.1	1	Screw			
140	24820333.1	0	Shim	#		



D_5027_5 Maintenance Kit

Fig.	Ref.	Qty.	Descr.	Obs	From	UpTo
1	24820401	1	Kit Gasket		15/06/2016	
1	24820401	1	Kit Gasket		15/06/2016	
2	A0105000	1	15W40 Sole Diesel Oil 5L		15/06/2016	
2	A0105000	1	15W40 Sole Diesel Oil 5L		15/06/2016	
3	24820403	2	Clutch Plate Kit		15/06/2016	
3	24820403	2	Clutch Plate Kit		15/06/2016	



D_5023_1 Sheet 1/4

Fig.	Ref.	Qty.	Descr.	Obs	From	UpTo
1	24850091	1	Screw			
2	24850092	3	Washer			
3	24850090	2	Washer			
4	24820068	3	Plug M8X1			
5	56000057	3	Washer 8-13-1,5			
6	24810065	1	Plug			
7	24850008	1	Gauge Oil LEVEL			
26	24850028	11	Screw			
41	52102156	5	Bolt DIN 933 M6-16 8.8			
56	24850005	1	Plate, IDENTIFICATION			
59	24810063	1	Plane Washer			
60	24850011	1	Plug,oil drain			
61	52102158	2	Bolt DIN 933 M6-25 8.8			
62	52102258	1	Bolt DIN 933 M8-25 8.8			
77	24810532	1	SWITCHER			
78	24810533	1	O-Ring D. 14X1,7			
79	24850527	1	Pin			

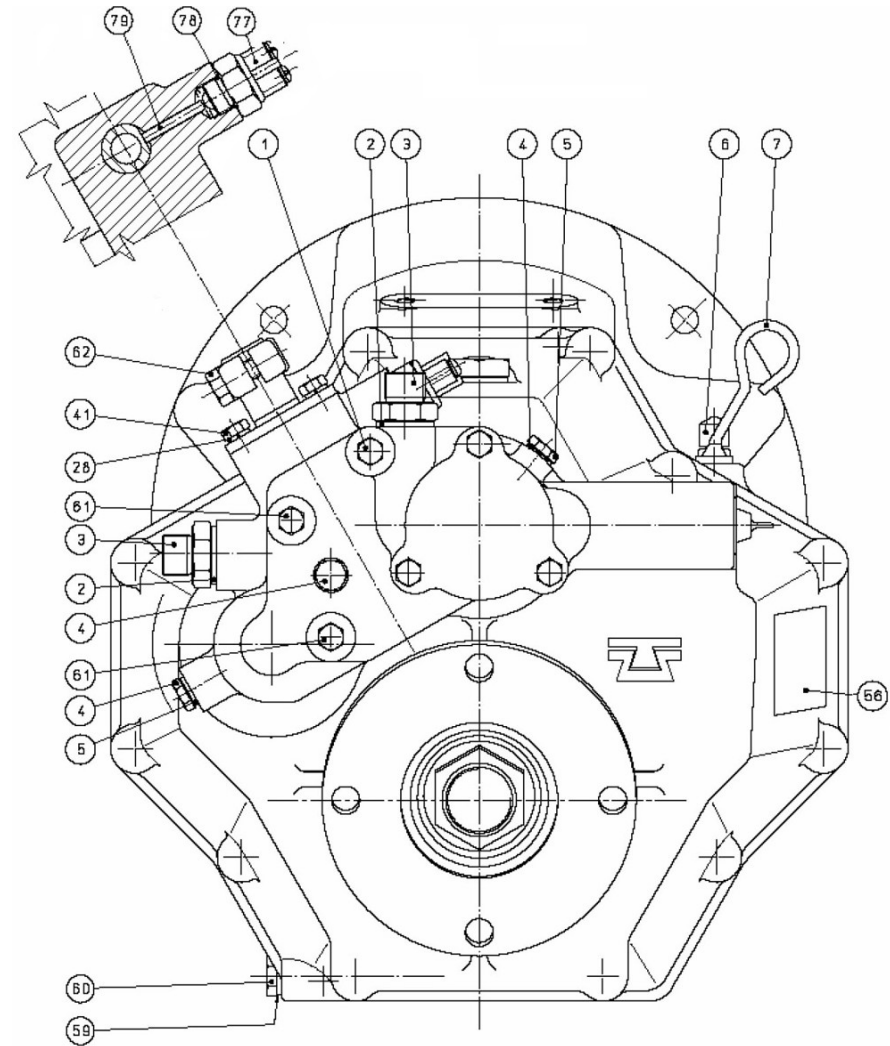
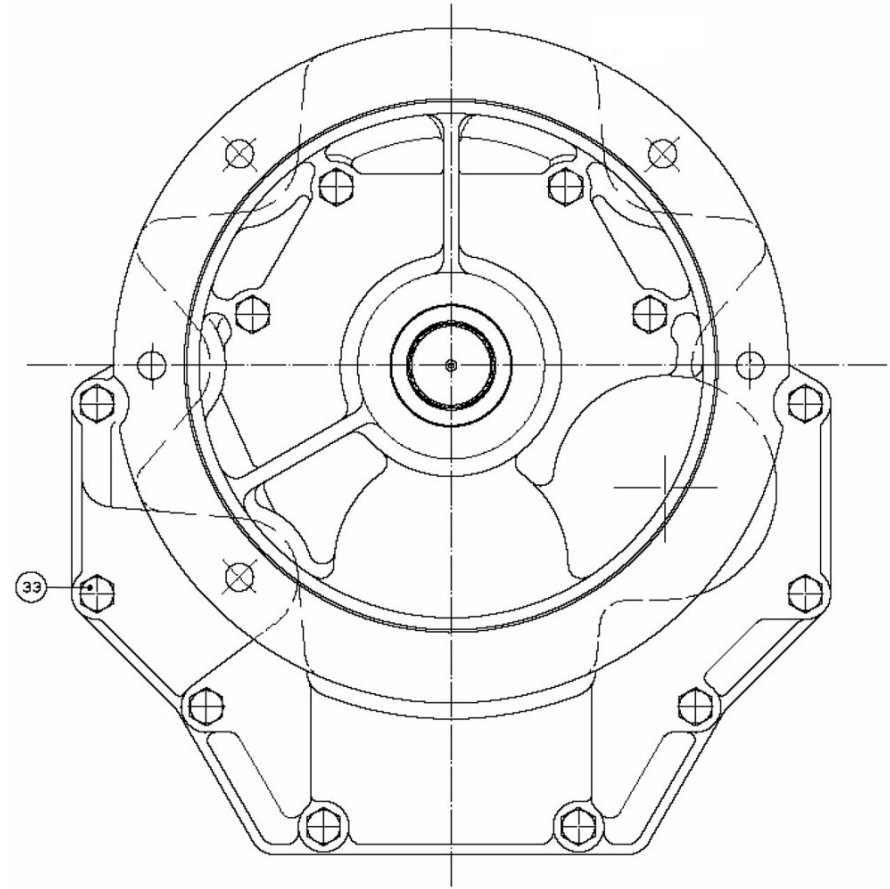
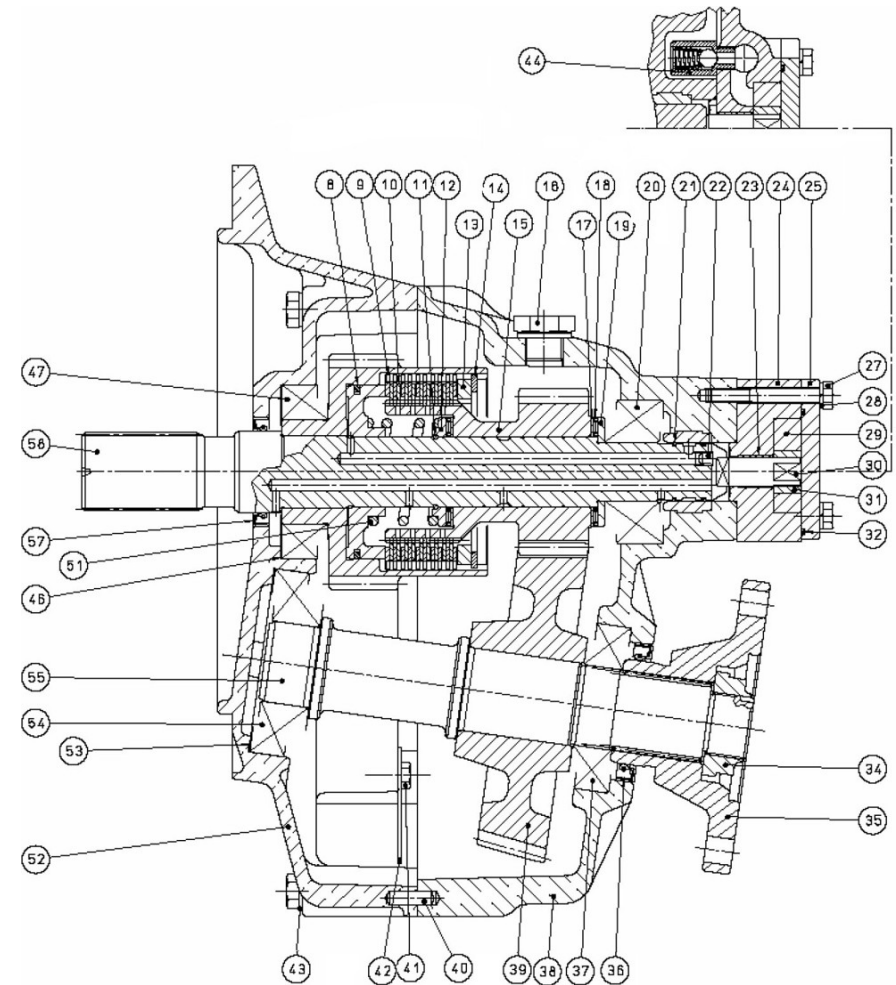


Fig.	Ref.	Qty.	Descr.	Obs	From	UpTo
33	24830113	1	Screw			



D_5023_3 Sheet 3/4

Fig.	Ref.	Qty.	Descr.	Obs	From	UpTo
8	24850323	2	Washer			
11	24850310	2	Ring			
12	24850307	2	Ring			
13	24850333	2	Spacer			
14	24850312	2	SEGER			
15A	24852203	1	Gear R. 1,54 TM 345			
15B	24853203	1	Gear R. 2 TM 345			
15C	24854203	1	Gear R. 2,47 TM 345			
16	24850012	1	Plug			
17	24850318	4	Ring			
18	24850306	4	Bearing, needle			
19	24850325	2	Washer			
20	24850308	2	Conical Roller Bearing 32305			
21	24850328	4	Washer			
22	24810326	2	Plug			
23	24850016	1	Bushing			
24	24850020	1	PUMB Box			
25	24850015	1	Pump Cover			
27	24850029	3	Screw			
28	53033006	9	Washer GROWER DIN 127-6			
29	24850095	1	Gear, Pump Out			
30	24850094	1	Pump Shaft			
31	24850096	1	Gear, Pump INNER			
32	24850097	1	O-Ring D. 50X1,7			
34	24850099	1	Nut			
35	24850224	1	Flange, Output TM-345			
36	24840103	1	Grommet			
37	24850212	1	Conical Roller Bearing 30207A			
38	24850001	1	Front Body TM-345			
39A	24852210	1	Gear R. 1,54 TM 345			
39B	24853210	1	Gear R. 2 TM 345			



D_5023_3 Sheet 3/4

Fig.	Ref.	Qty.	Descr.	Obs	From	UpTo
39C	24854210	1	Gear R. 2,47 TM 345			
40	24850013	2	Pin			
42	24850080	1	Plate Pipe			
43	24850093	12	Washer			
44	24850063	1	By pass Valve			
46	24850108	6	Shim Adjusting			
47	24850104	2	Conical Roller Bearing 32009-X			
51	24850122	2	Spring			
52	24850207	1	Cover TM-345			
53	24810333	3	Spacer			
54	24850206	1	Conical Roller Bearing 31307A			
55	24850201	1	Output Shaft			
57	24810103S	1	Grommet, Oil SILICON			
58	24850101	1	Input Shaft			

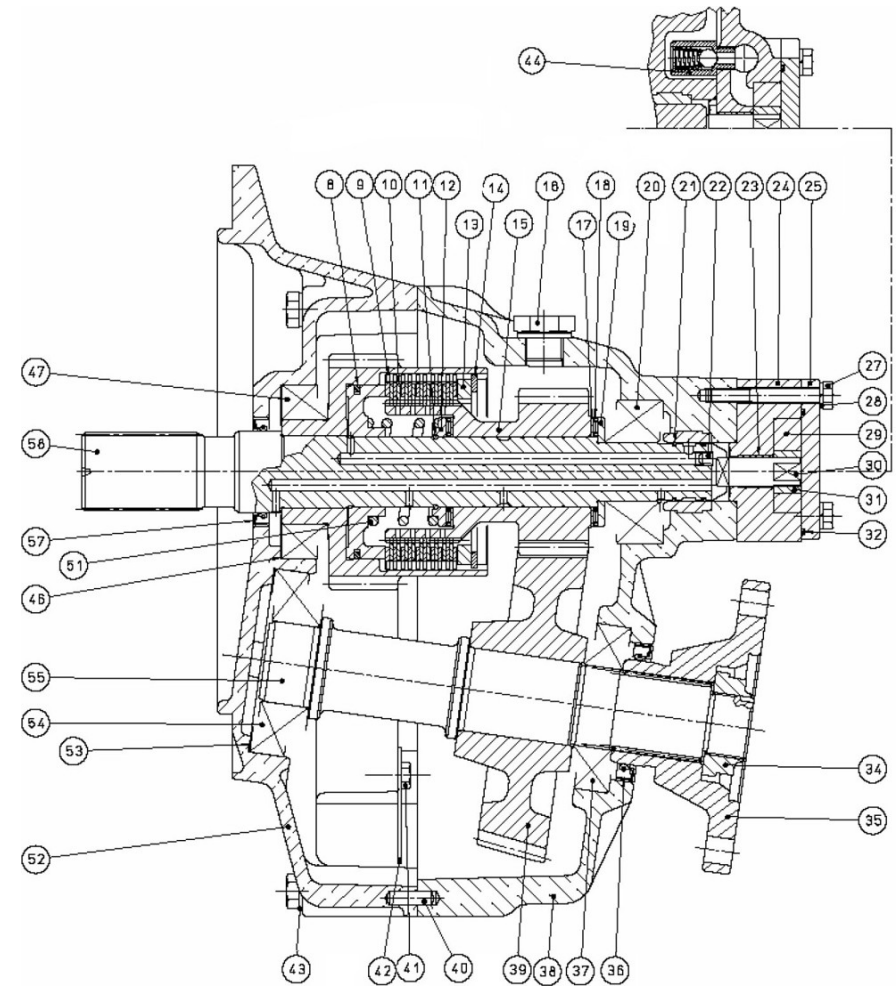
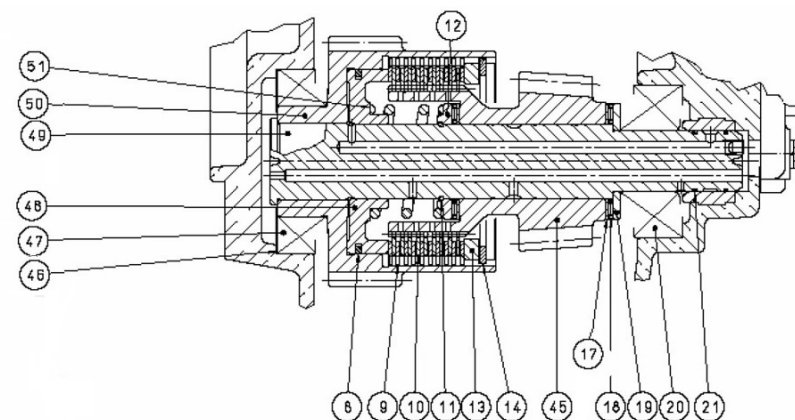
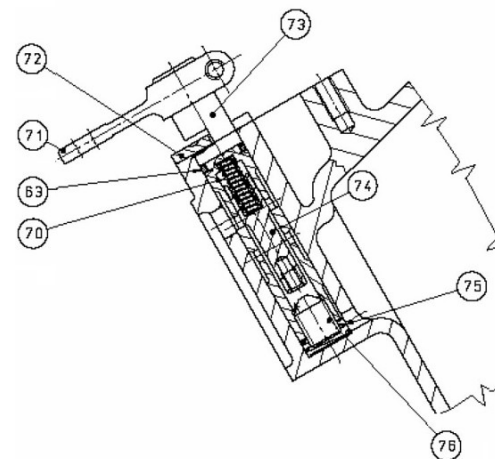


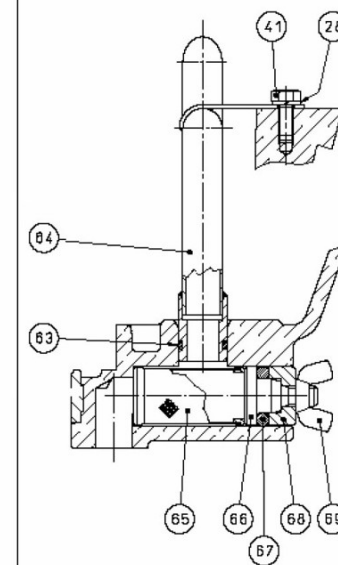
Fig.	Ref.	Qty.	Descr.	Obs	From	UpTo
45A	24852203	1	Gear R. 1,54 TM 345			
45B	24853203	1	Gear R. 2 TM 345			
45C	24854203	1	Gear R. 2,47 TM 345			
48	24850124	2	Piston			
49	24850301	1	INTERMEDIATE Shaft			
50	24850330	1	Bell			
63	24810045	2	O-Ring D. 15,08X2,62			
64	24850081	1	Aspiration Tube			
65	24810035	1	Oil Filter			
66	24850085	1	Pin			
67	24850059	1	O-Ring D. 50X5,3			
68	24850076	1	Spacer			
69	24850057	1	Nut			
70	24850030	1	Spring			
71	24810424	1	Lever			
72	24810041	1	Support			
73	24850062	1	Selector Valve			
74	24850052	1	Valve			
75	24850078	1	Spring			
76	24850079	1	Screw			



INTERMEDIATE SHAFT ASSEMBLY



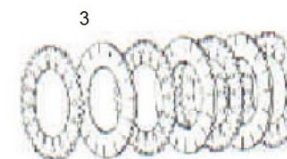
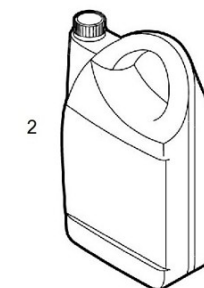
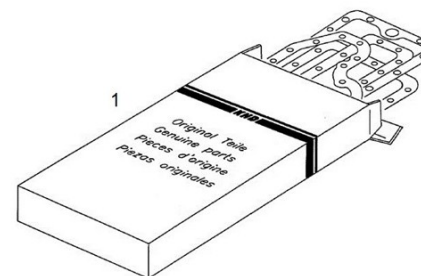
SELECTOR VALVE ASSEMBLY



OIL FILTER ASSEMBLY

D_5023_5 Maintenance Kit

Fig.	Ref.	Qty.	Descr.	Obs	From	UpTo
1	24850401	1	Kit Gasket			
1	24850401	1	Kit Gasket			
2	A0105000	1	15W40 Sole Diesel Oil 5L			
2	A0105000	1	15W40 Sole Diesel Oil 5L			
3	24850403	2	Clutch Plate Kit			
3	24850403	2	Clutch Plate Kit			



D_5024_1 Sheet 1/4

Fig.	Ref.	Qty.	Descr.	Obs	From	UpTo
1	24850091	1	Screw			
2	24850092	3	Washer			
3	24850090	2	Washer			
4	24820068	3	Plug M8X1			
5	56000057	3	Washer 8-13-1,5			
6	24810065	1	Plug			
7	24850008	1	Gauge Oil LEVEL			
26	24850028	11	Screw			
41	52102156	3	Bolt DIN 933 M6-16 8.8			
56	24850005	1	Plate, IDENTIFICATION			
59	24810063	1	Plane Washer			
60	24850011	1	Plug,oil drain			
61	52102158	2	Bolt DIN 933 M6-25 8.8			
62	52102258	2	Bolt DIN 933 M8-25 8.8			
77	24810532	1	SWITCHER			
78	24810533	1	O-Ring D. 14X1,7			
79	24850527	1	Pin			

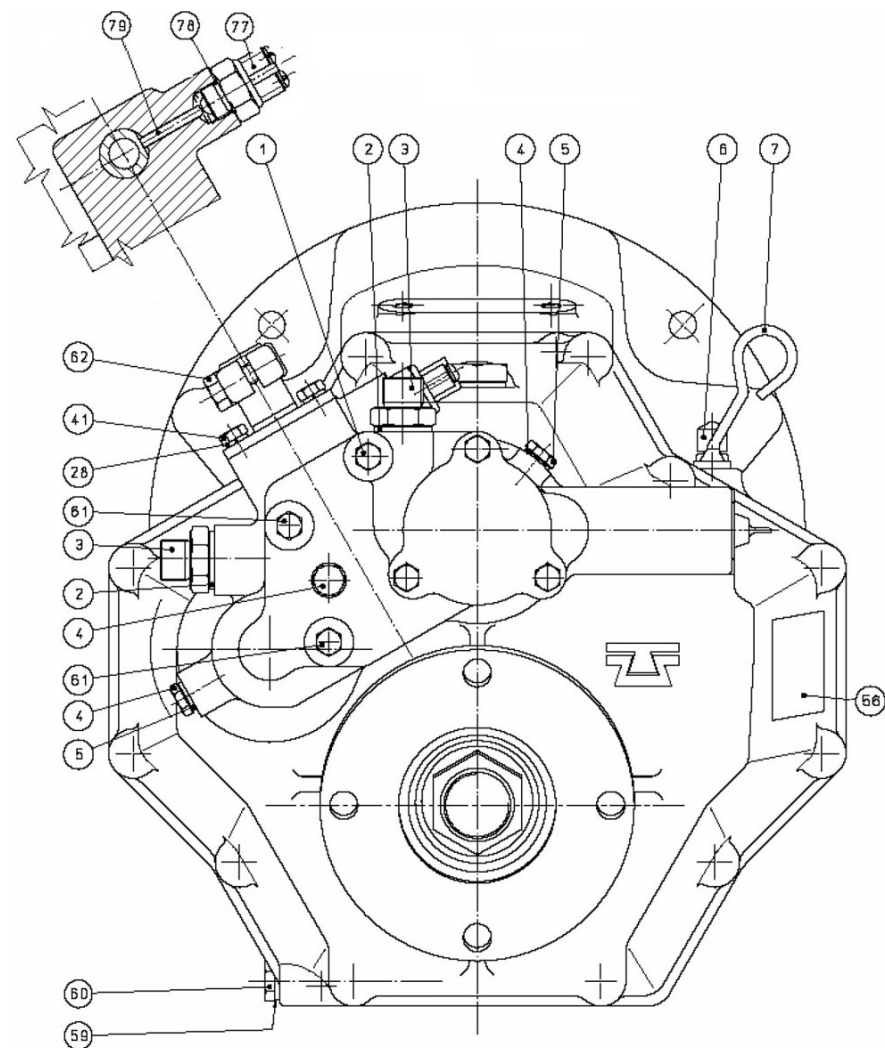
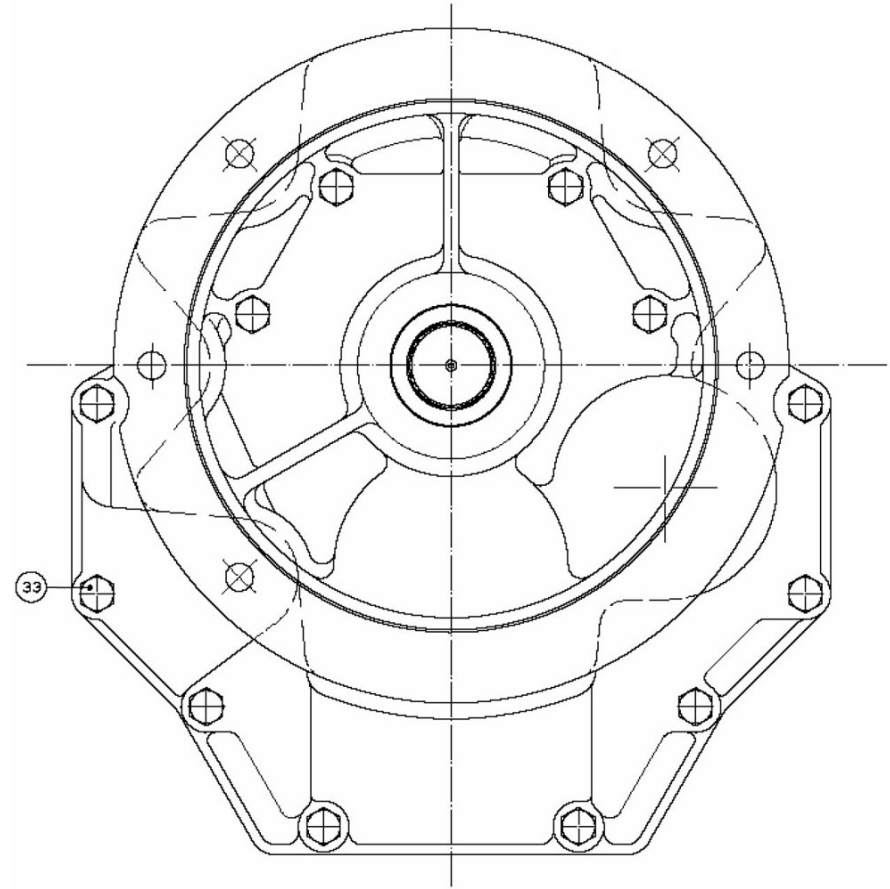
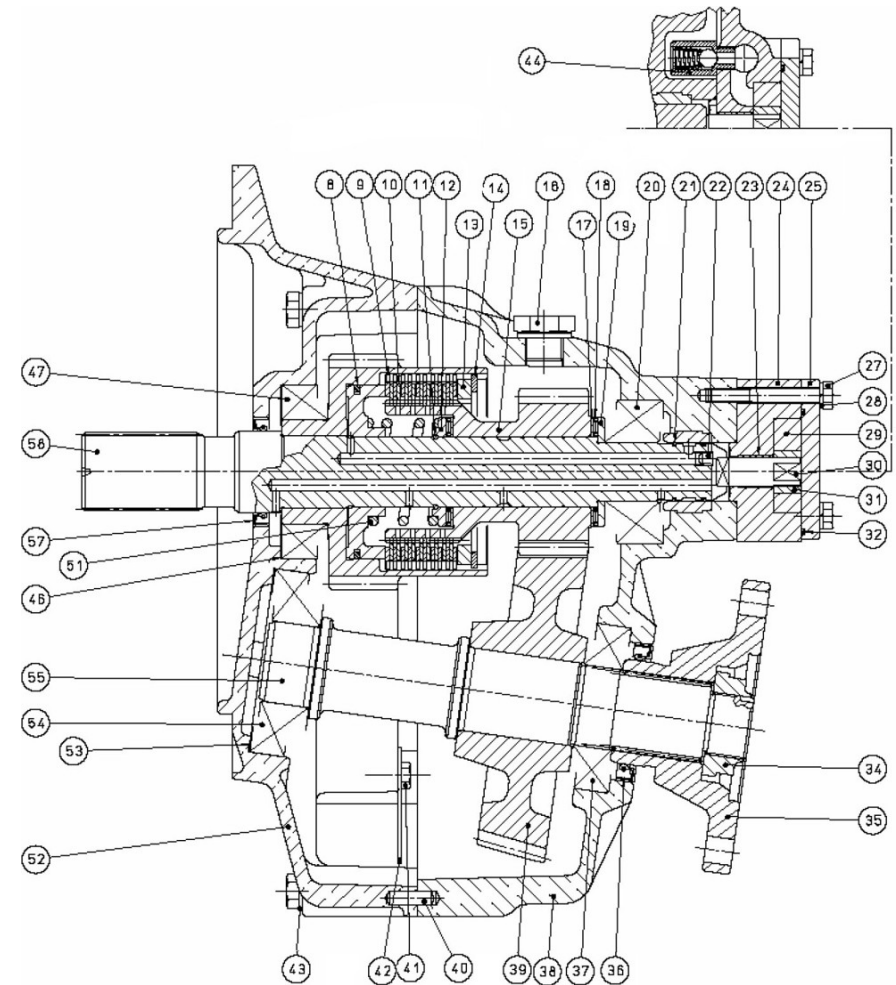


Fig.	Ref.	Qty.	Descr.	Obs	From	UpTo
33	24830113	1	Screw			



D_5024_3 Sheet 3/4

Fig.	Ref.	Qty.	Descr.	Obs	From	UpTo
8	24850323	2	Washer			
11	24850310	2	Ring			
12	24850307	2	Ring			
13	24850333	2	Spacer			
14	24850312	2	SEGER			
15A	24852203A	1	Gear R. 1,54 TM 345A			
15B	24853203A	1	Gear Red. 2 TM 345A			
15C	24854203A	1	Gear R. 2,47 TM 345A			
16	24850012	1	Plug			
17	24850318	4	Ring			
18	24850306	4	Bearing, needle			
19	24850325	2	Washer			
20	24850308	2	Conical Roller Bearing 32305			
21	24850328	4	Washer			
22	24810326	2	Plug			
23	24850016	1	Bushing			
24	24850020	1	PUMB Box			
25	24850015	1	Pump Cover			
27	24850029	3	Screw			
28	53033006	9	Washer GROWER DIN 127-6			
29	24850095	1	Gear, Pump Out			
30	24850094	1	Pump Shaft			
31	24850096	1	Gear, Pump INNER			
32	24850097	1	O-Ring D. 50X1,7			
34	24850099	1	Nut			
35	24850224A	1	Flange, Output TM-345A			
36	24840103	1	Grommet			
37	24850212	1	Conical Roller Bearing 30207A			
38	24850001A	1	Front Body TM-345A			
39A	24852210A	1	Gear R. 1,54 TM 345A			
39B	24853210A	1	Gear R. 2 TM 345A			



D_5024_3 Sheet 3/4

Fig.	Ref.	Qty.	Descr.	Obs	From	UpTo
39C	24854210A	1	Gear R. 2,47 TM 345A			
40	24850013	2	Pin			
42	24850080	1	Plate Pipe			
43	24850093	12	Washer			
44	24850063	1	By pass Valve			
46	24850108	6	Shim Adjusting			
47	24850104	2	Conical Roller Bearing 32009-X			
51	24850122	2	Spring			
52	24850207A	1	Cover TM-345A			
53	24810333	3	Spacer			
54	24850206	1	Conical Roller Bearing 31307A			
55	24850201	1	Output Shaft			
57	24810103S	1	Grommet, Oil SILICON			
58	24850101	1	Input Shaft			

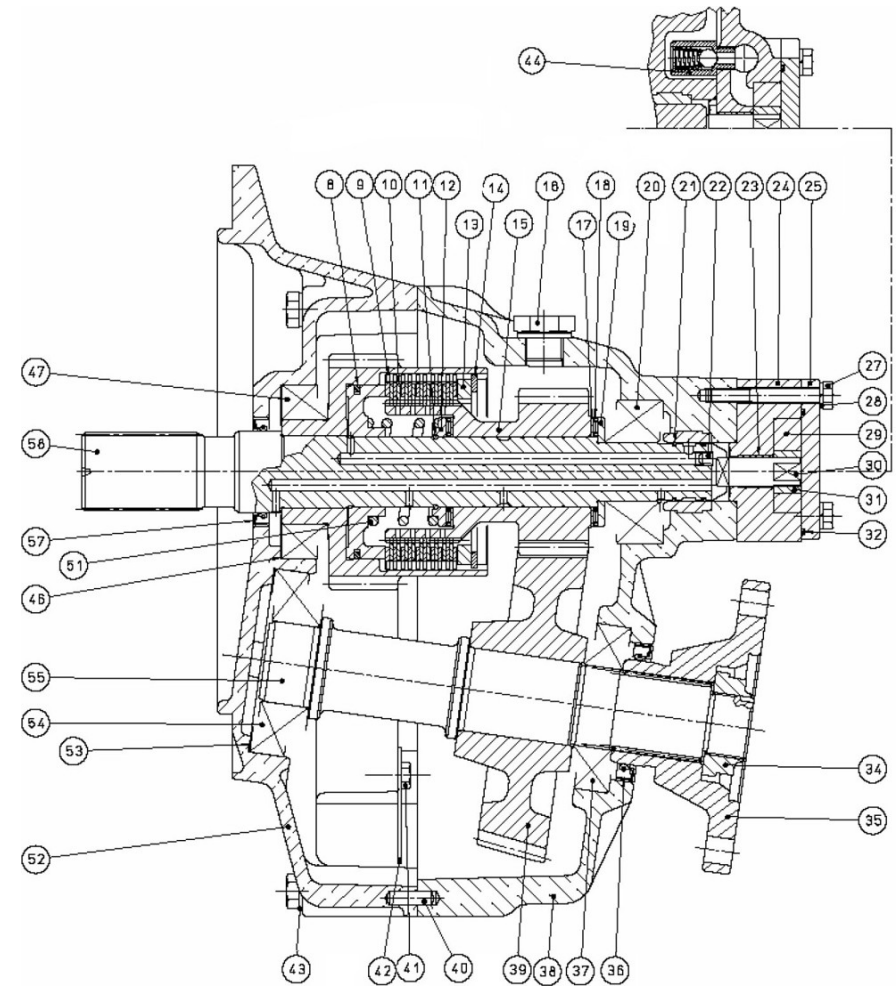
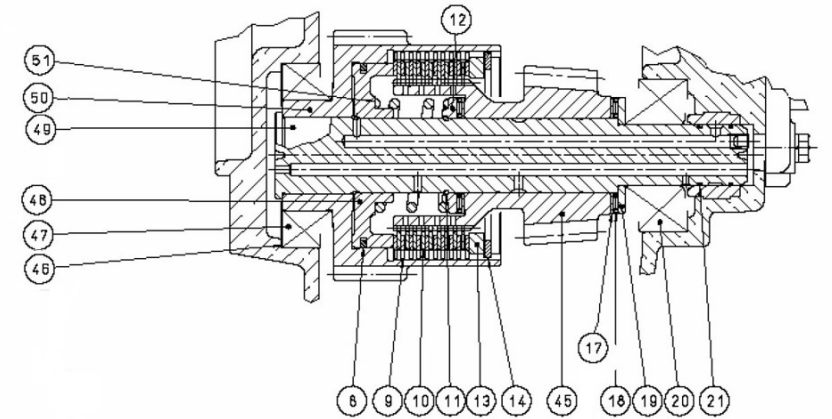
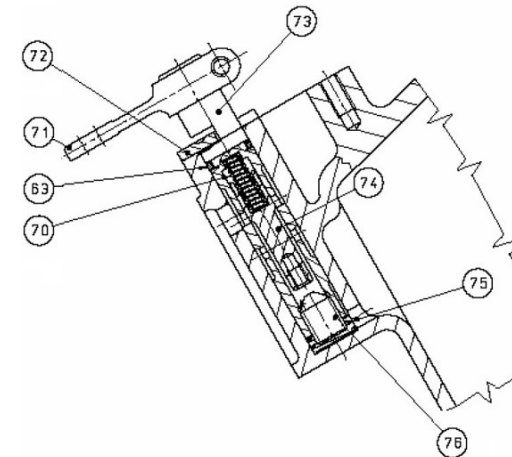


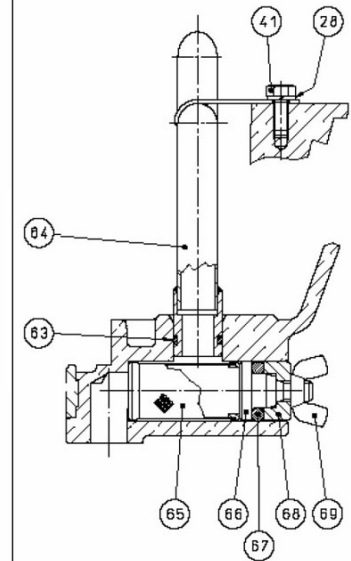
Fig.	Ref.	Qty.	Descr.	Obs	From	UpTo
45A	24852302	1	Gear R. 1,54 TM 345A			
45B	24853302	1	Gear R. 2 TM 345A			
45C	24854302	1	Gear R. 2,47 TM 345A			
48	24850124	2	Piston			
49	24850301	1	INTERMEDIATE Shaft			
50	24850330	1	Bell			
63	24810045	2	O-Ring D. 15,08X2,62			
64	24850081	1	Aspiration Tube			
65	24810035	1	Oil Filter			
66	24850085	1	Pin			
67	24850059	1	O-Ring D. 50X5,3			16/12/2019
68	24850076	1	Spacer			
69	24850057	1	Nut			
70	24850030	1	Spring			
71	24810424	1	Lever			
72	24810041	1	Support			
73	24850062	1	Selector Valve			
74	24850052	1	Valve			
75	24850078	1	Spring			
76	24850079	1	Screw			



INTERMEDIATE SHAFT ASSEMBLY



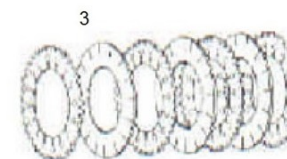
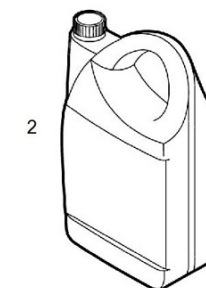
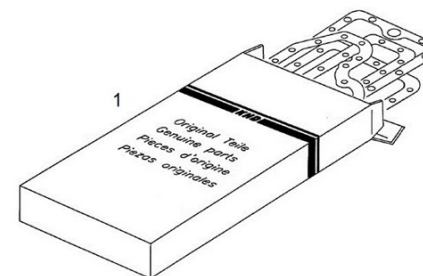
SELECTOR VALVE ASSEMBLY



OIL FILTER ASSEMBLY

D_5023_5 Maintenance Kit

Fig.	Ref.	Qty.	Descr.	Obs	From	UpTo
1	24850401	1	Kit Gasket			
1	24850401	1	Kit Gasket			
2	A0105000	1	15W40 Sole Diesel Oil 5L			
2	A0105000	1	15W40 Sole Diesel Oil 5L			
3	24850403	2	Clutch Plate Kit			
3	24850403	2	Clutch Plate Kit			



D_5032_1 Sheet 1/3

Fig.	Ref.	Qty.	Descr.	Obs	From	UpTo
1	24830011	1	Plug			
2	24890008	1	Gauge Oil Level			
3	56000083	1	Washer 21-26-1,5			
4	24890001	1	Cover			
5	24810065	1	Plug			
6	24810063	2	Plane Washer			
7	24890102	1	Cover			
8	24850212	1	Conical Roller Bearing 30207A			
9A	24895101	1	Input Shaft			
9B	24894101	1	Input Shaft			
9C	24893101	1	Input Shaft			
9D	24892101	1	Input Shaft			
10	24810103	1	Oil Grommet			
11	25710104	3	Conical Roller Bearing 32206-J2/Q			
12	24880222	1	Nut			
13	24880201	1	Shaft Output			
14	24880217	2	Shim			
15	24880204	2	Bearing, needle			
16	24880218	2	Shim			
17A	24894203	1	Gear			
17B	24892203	1	Gear			
18	52101261	9	Bolt DIN 931 M8-40 8.8			
19	24850093	17	Washer			
20	24860023	2	Pin			
21	24890302	1	Gear			
22	24890202	1	Clutch			
23	24890307	1	Nut			
24B	24895210	1	Gear			
24C	24894210	1	Gear			
24D	24893210	1	Gear			
25	24880205	2	CAGE			

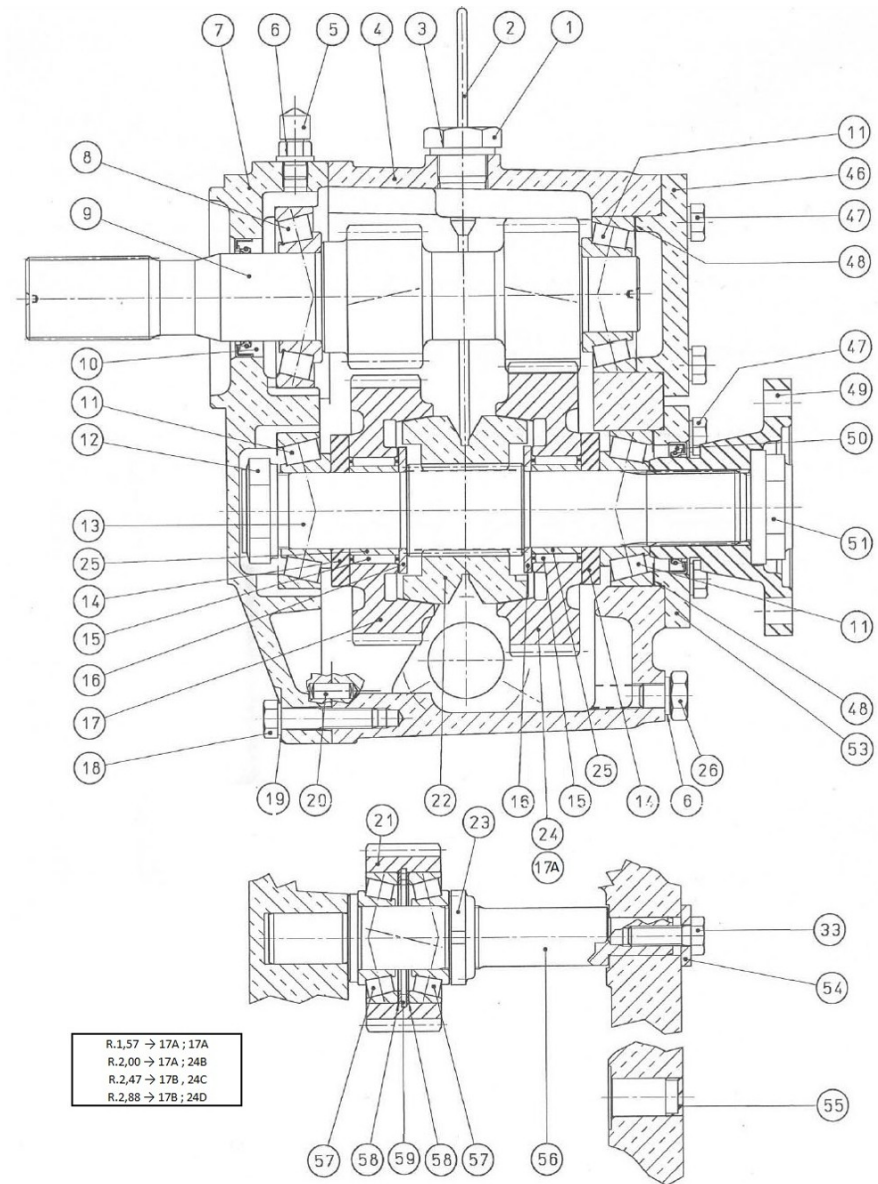


Fig.	Ref.	Qty.	Descr.	Obs	From	UpTo
26	24850011	1	Plug,oil drain			
33	52102258	1	Bolt DIN 933 M8-25 8.8			
46	24890205	1	Cover			
47	52102259	8	Bolt DIN 933 M8-30 8.8			
48	24813500.67	6	Spacer			
49	24880224	1	Flange Output			22/11/2019
50	24890214	1	Oil Seal			
51	24850099	1	Nut			
53	24890208	1	Cover			
54	24890306	1	Washer			
55	24890305	1	Plug			
56	24890301	1	INTERMEDIATE Shaft			
57	24860207	2	Conical Roller Bearing 30205A			
58	24890304	2	Washer			
59	53041052	1	CIRClip DIN 472 I-52			

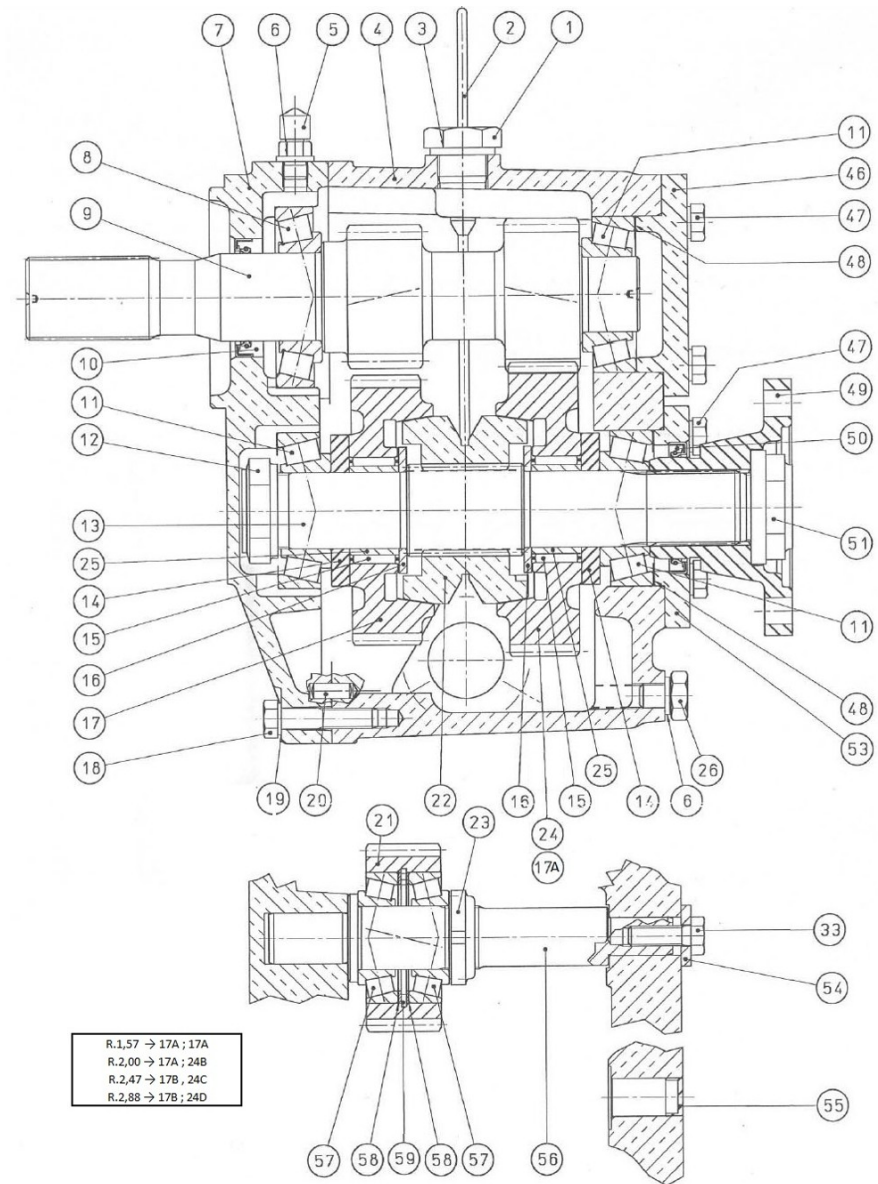
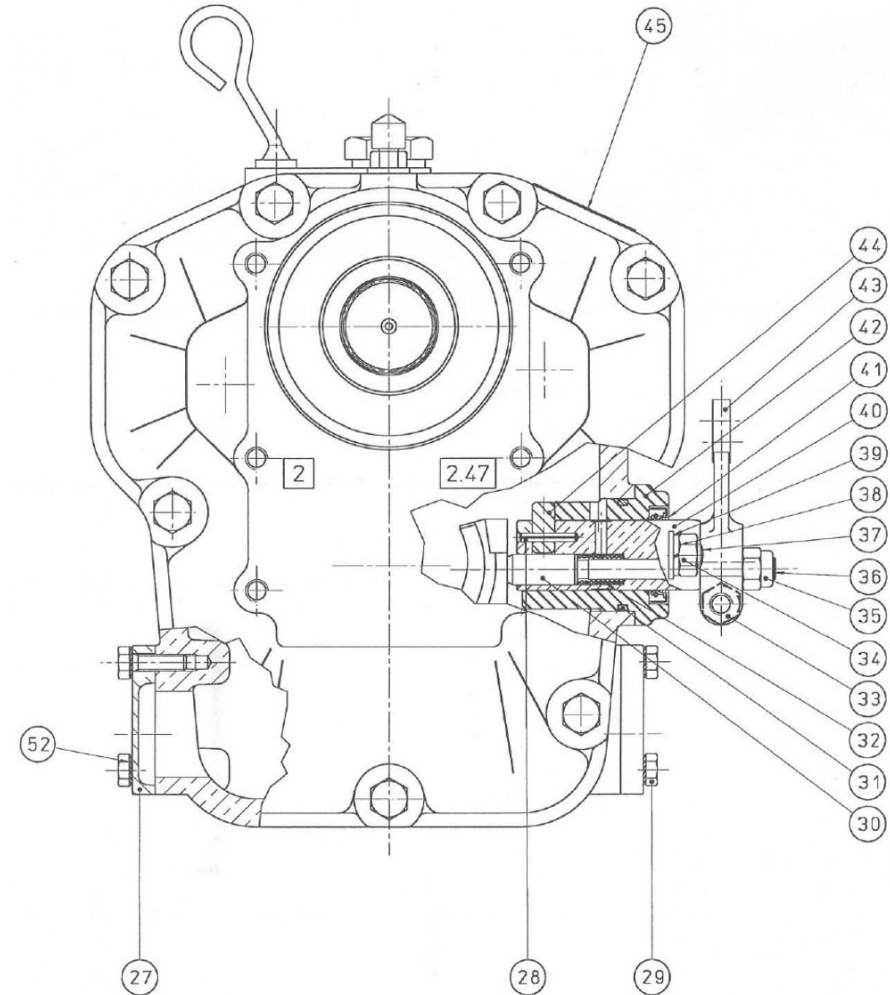


Fig.	Ref.	Qty.	Descr.	Obs	From	UpTo
27	24890026	2	Cover			
28	53052210	1	Pin DIN 1481 3-20			
29	52102257	6	Bolt DIN 933 M8-20 8.8			
30	24880423	1	Pad			
31	24860417	1	O-Ring			
32	24860411	1	Spring			
33	52102258	1	Bolt DIN 933 M8-25 8.8			
34	52120008	2	Nut DIN 934 M8 8.8			
35	51123008	1	Nut DIN 985 M8 5.6			
36	52111260	1	ROD DIN 913 M8-35 8.8			
37	24860071	2	STUD			
38	53033008	2	Washer GROWER DIN 127-8			
39	51030008	2	Washer DIN 125-8			
40	24880402	1	Shaft			
41	24860404	1	Oil Seal			
42	24880401	1	Cover			
43	24810424	1	Lever			
44	24860419	1	Pin			
45	24850005	1	Plate, IDENTIFICATION			
52	53038006	6	Washer DIN 6798-A 6			
NS	24890021	1	SAE 7 - BW housing coupling TMC			



D_5032_3 Cooling System 3/3

Fig.	Ref.	Qty.	Descr.	Obs	From	UpTo
1	24890051	2	Cover			
2	24890052	2	O-Ring D. 32X2,5			
3	24890053	2	Elbow			
4	24890054	1	Cooler Pipe			

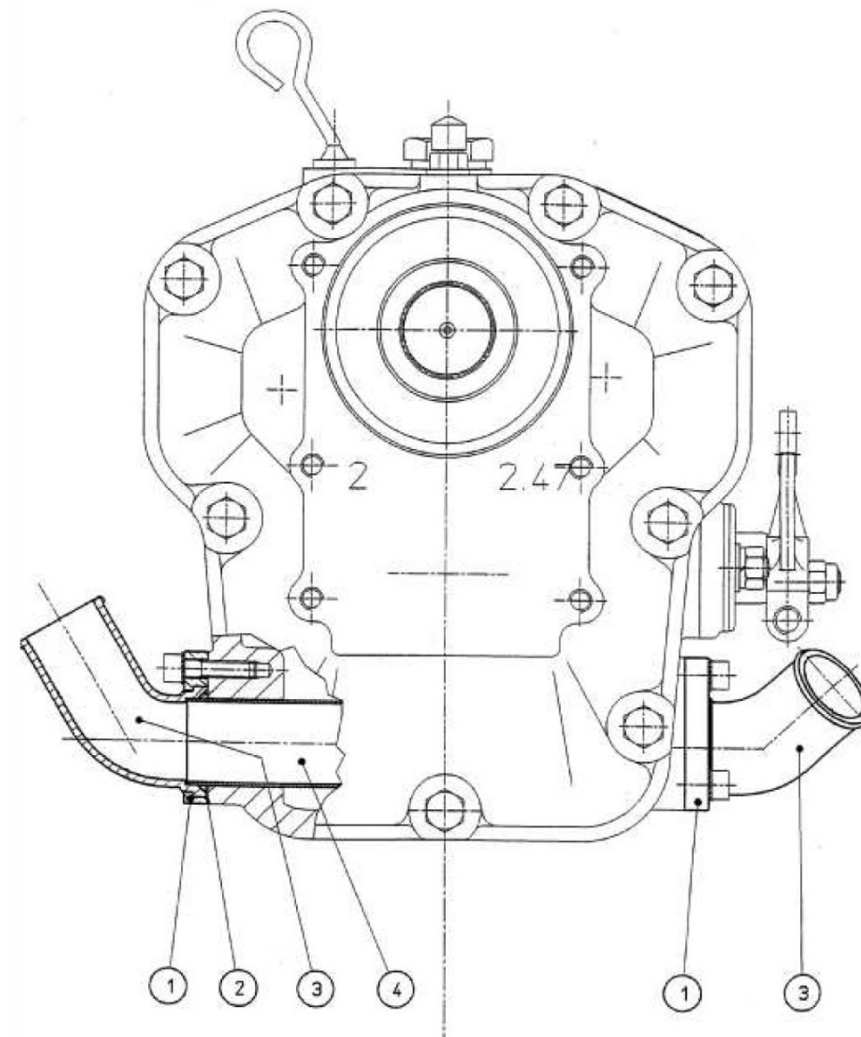


Fig.	Ref.	Qty.	Descr.	Obs	From	UpTo
1	24820090	2	Pin			
2	24816080	1	Plate Pipe			
3	24810082	2	Screw			
4	24816001	1	Front Body TM 880A			
5	24810047	6	Screw			
6	24810014	6	Washer			
7	24820072	1	Cover Input Shaft			
8	24820103	1	Oil Grommet			
9	24810065	1	Plug			
10	24820005.1	1	NAME Plate			
11	24810071	2	Stud			
12	56000083	1	Washer 21-26-1,5			
13	24810012	1	Nut			
14	24810063	1	Plane Washer			
15	24810068	1	Plug			
16	24810008	1	ROD, Oil LEVEL			
17	24820071	2	Stud			
18	24816002	1	REVERSE Body TM 880A			
19	24810059	1	Plane Washer			
20	24810060	1	Racord			
21	24810062	1	Valve BY PASS			
22	24820086	1	Washer			
23	24830105	1	Plug			
24	24820102	1	Cover, REAR			

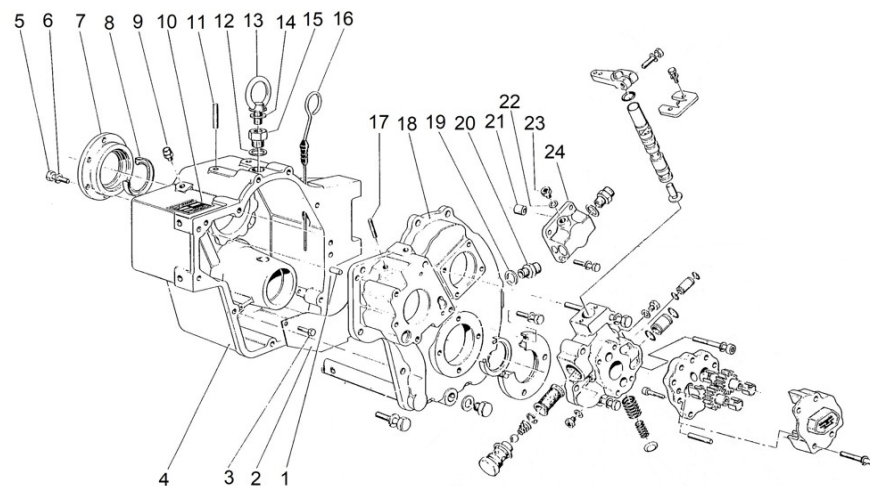
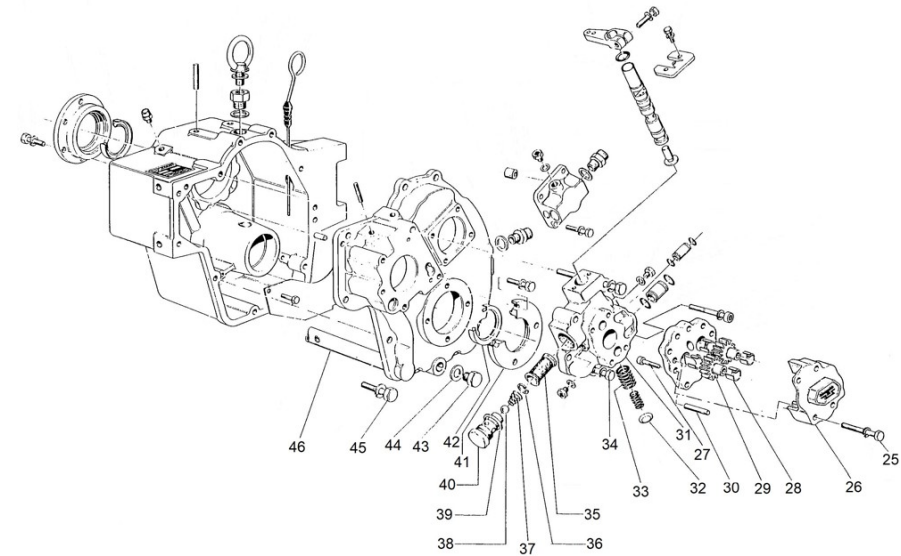


Fig.	Ref.	Qty.	Descr.	Obs	From	UpTo
25	24810013	4	Screw			
25	24810013	4	Screw			
26	24820015.1	1	Oil Pump Body			
26	24820015.1	1	Oil Pump Body			
27	24820025.1	3	Screw			
27	24820025.1	3	Screw			
28	24810025	4	Bushing			
28	24810025	4	Bushing			
29	24810096	1	Gear, Driver			
29	24810096	1	Gear, Driver			
30	24820023.1	2	Pin			
30	24820023.1	2	Pin			
31	24820026	1	Distributor Cap			
31	24820026	1	Distributor Cap			
32	24810055	1	Expansion Plug			
32	24810055	1	Expansion Plug			
33	24816054	1	Spring, Valve			
33	24816054	1	Spring, Valve			
34	24820098	2	Screw M10X50			
34	24820098	2	Screw M10X50			
35	24810035	1	Oil Filter			
35	24810035	1	Oil Filter			
36	24810032	1	SNAP Ring			
36	24810032	1	SNAP Ring			
37	24810030	1	Valve Spring			
37	24810030	1	Valve Spring			
38	18024143	1	Ball,steel 1/2"			
38	18024143	1	Ball,steel 1/2"			
39	24810027	1	Washer			
39	24810027	1	Washer			
40	24810024	1	Plug, Oil Filter DRAIN			



D_5026_1.2 Sheet 1.2/4

Fig.	Ref.	Qty.	Descr.	Obs	From	UpTo
41	24820208	1	Cover Front			
42	24820214	1	Grommet			
42	24820214	1	Grommet			
43	24810011	1	Plug,oil drain			
43	24810011	1	Plug,oil drain			
44	24810088	1	Plane Washer			
44	24810088	1	Plane Washer			
45	52101314	1	Bolt DIN 931 M10-55 8.8			
45	52101314	1	Bolt DIN 931 M10-55 8.8			
46	24816081	1	Aspiration Tube TM 880A			
46	24816081	1	Aspiration Tube TM 880A			
NS	52103311	9	Bolt DIN 912 M10-40 8.8			
NS	52103311	9	Bolt DIN 912 M10-40 8.8			

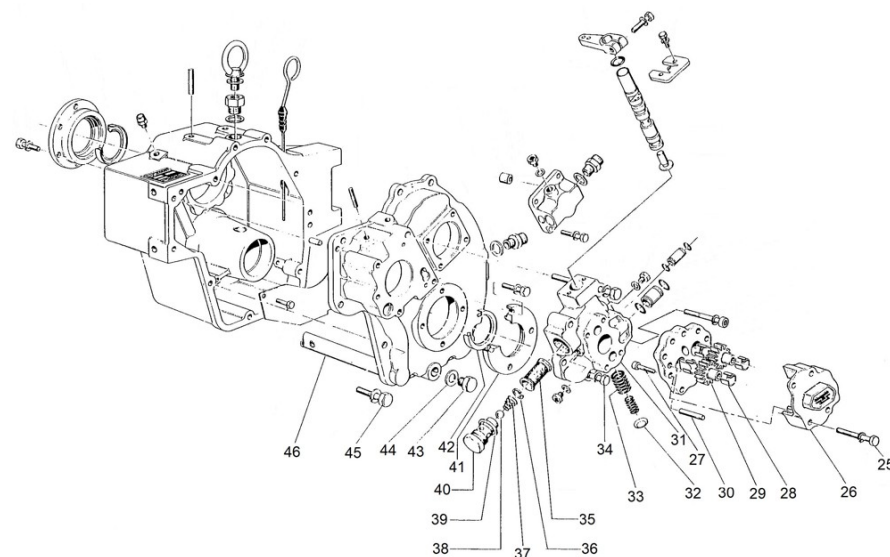
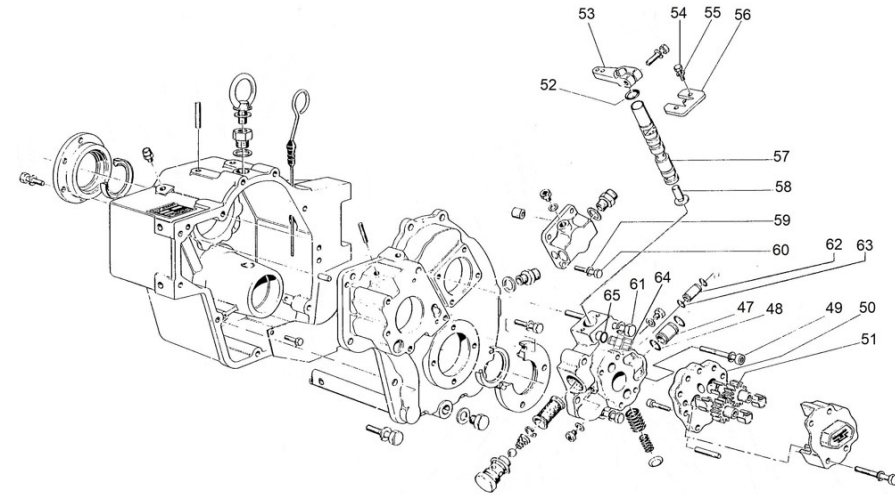
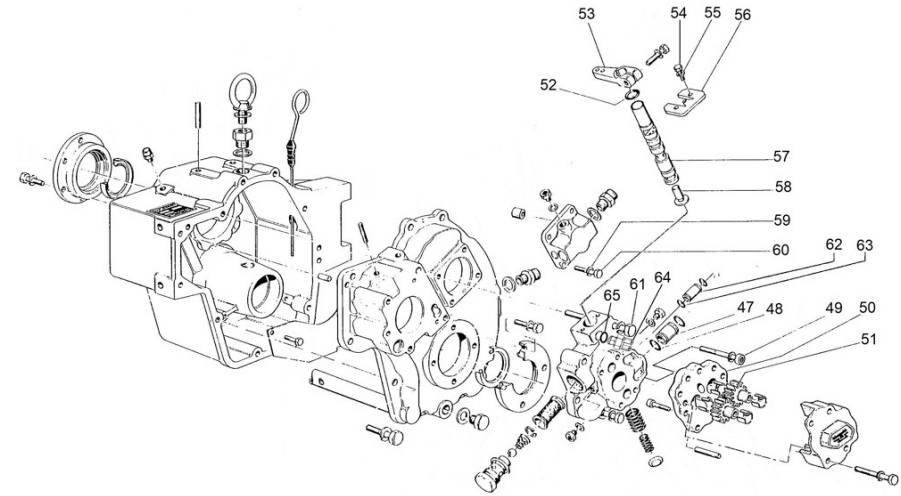


Fig.	Ref.	Qty.	Descr.	Obs	From	UpTo
47	24820062	2	Tube, Racord			
47	24820062	2	Tube, Racord			
48	24820063	2	O-Ring D. 15X1,7			
48	24820063	2	O-Ring D. 15X1,7			
49	24820013	2	Screw M10X30			
49	24820013	2	Screw M10X30			
50	24810026.1	3	Cover			
50	24810026.1	3	Cover			
51	24810095	3	Gear, Driven			
51	24810095	3	Gear, Driven			
52	24810056	1	O-Ring			
52	24810056	1	O-Ring			
53	24810424	1	Lever			
53	24810424	1	Lever			
54	24810044	2	Screw			
54	24810044	2	Screw			
55	24810042	2	Washer			
55	24810042	2	Washer			
56	24810041	1	Support			
56	24810041	1	Support			
57	24810051	1	Distributor			
57	24810051	1	Distributor			
58	24810052	1	Valve			
58	24810052	1	Valve			
59	24820075	4	Washer			
59	24820075	4	Washer			
60	24820076	4	Screw M10X30			
60	24820076	4	Screw M10X30			
61	24820087	1	Screw M10X130			
61	24820087	1	Screw M10X130			
62	24820060	1	Tube, Racord			



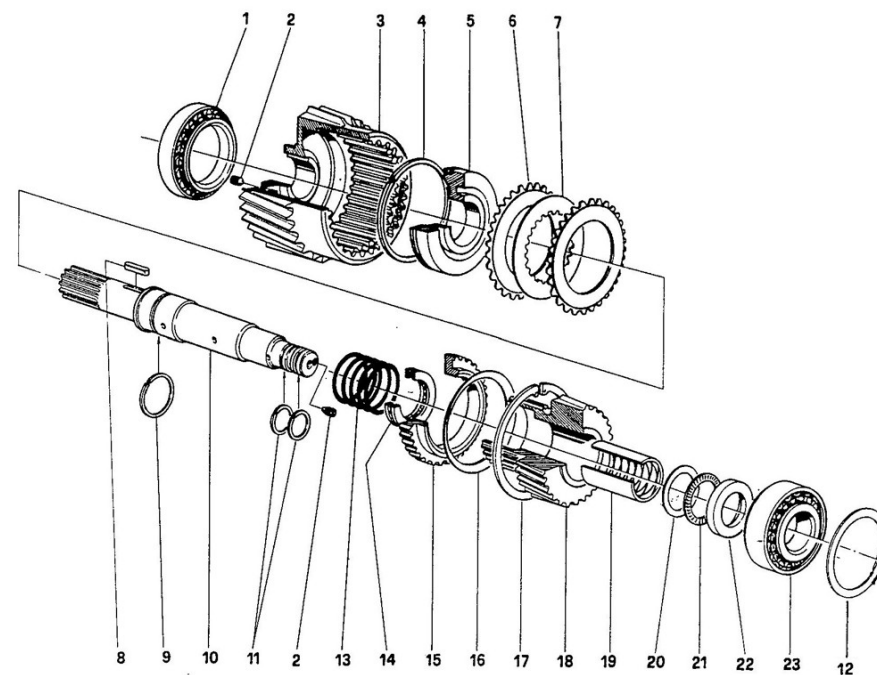
D_5026_1.3 Sheet 1.3/4

Fig.	Ref.	Qty.	Descr.	Obs	From	UpTo
63	24820059	2	O-Ring D. 10X1,7			
64	24810048	1	GR. Crazy Switch			
64	24810048	1	GR. Crazy Switch			
65	24810533	1	O-Ring D. 14X1,7			
65	24810533	1	O-Ring D. 14X1,7			



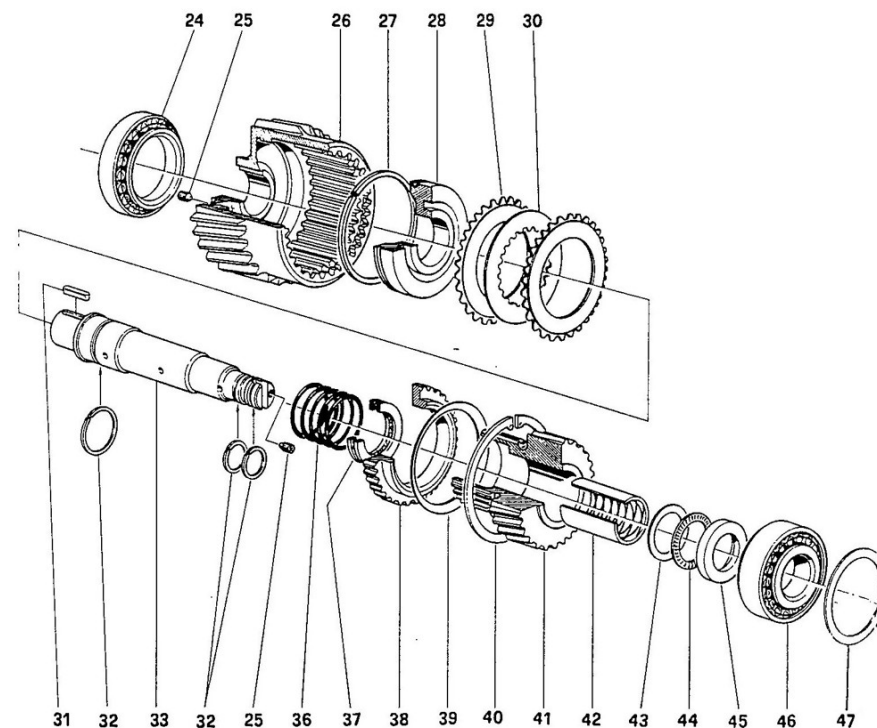
D_5026_2 Input Shaft 2/4

Fig.	Ref.	Qty.	Descr.	Obs	From	UpTo
1	24820134	1	Conical Roller Bearing 32011-JR			
2	24810326	2	Plug			
3	24820130	1	Bell			
4	24820125	1	Washer			
5	24820124	1	Piston			
6	24820115	9	Disk			
7	24820116	8	Disk			
8	24810211	1	KEY			
9	24820126	1	Washer			
10	24820101	1	Input Shaft			
11	24810328	2	Washer			
12	24810333	0	Spacer	#		
13	24820122	1	Spring			
14	24820123	1	Bearing			
15	24820113	1	Grommet			
16	24820129	1	Ring			
17	24820128	1	SNAP Ring			
18A	24822302	1	Gear R. 1,50 TM 170			
18B	24823302	1	Gear R. 2,04 TM 170			
18C	24824302	1	Gear R. 2.50 TM 170			
19	24820117	1	Bushing			
20	24820118	1	Ring			
21	24820121	1	Roller Bearing AXK-4060			
22	24820105	1	Washer			
23	24820104	1	Conical Roller Bearing 32307			



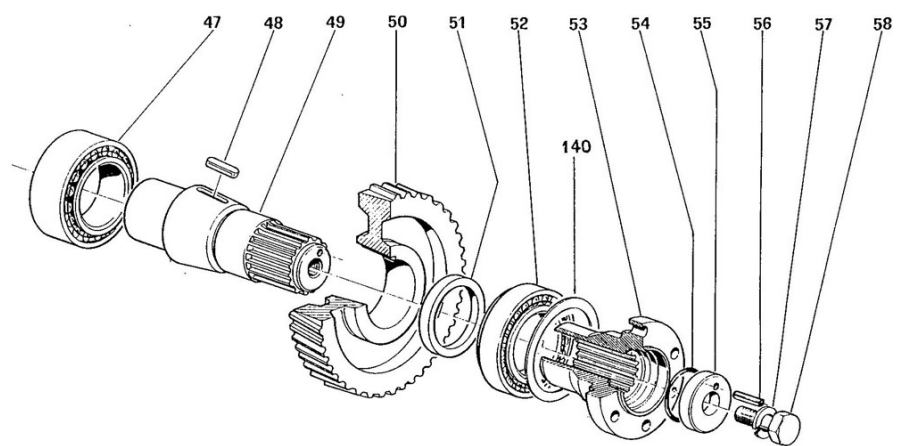
D_5026_3 Intermediate Shaft 3/4

Fig.	Ref.	Qty.	Descr.	Obs	From	UpTo
24	24820134	1	Conical Roller Bearing 32011-JR			
25	24810326	2	Plug			
26	24820330	1	Bell			
27	24820125	1	Washer			
28	24820124	1	Piston			
29	24820115	9	Disk			
30	24820116	8	Disk			
31	24810211	1	KEY			
32	24820126	2	Washer			
33	24820301	1	INTERMEDIATE Shaft			
36	24820122	1	Spring			
37	24820123	1	Bearing			
38	24820113	1	Grommet			
39	24820129	1	Ring			
40	24820128	1	SNAP Ring			
41A	24822302A	1	Gear R. 1,53 TM 170A			
41B	24823302A	1	Gear R. 2,08 TM 170A			
41C	24824302A	1	Gear R. 2,60 TM 170A			
42	24820117	1	Bushing			
43	24820118	1	Ring			
44	24820121	1	Roller Bearing AXK-4060			
45	24820105	1	Washer			
46	24820104	1	Conical Roller Bearing 32307			
47	24810333	0	Spacer	#		



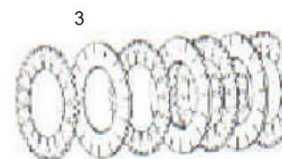
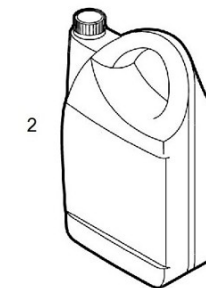
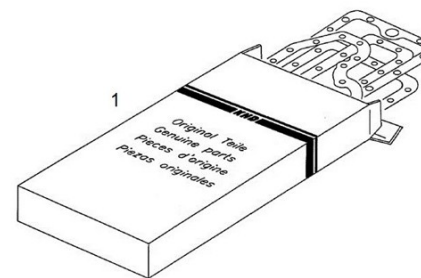
D_5026_4 Output Shaft 4/4

Fig.	Ref.	Qty.	Descr.	Obs	From	UpTo
47	24820206	1	Conical Roller Bearing 33210			
4851	24822201AC	1	Gear+Output Shaft Kit+Spacer			
4851	24823201AC	1	Gear+Output Shaft Kit+Spacer			
4851	24824201AC	1	Gear+Output Shaft Kit+Spacer			
52	24820212	1	Conical Roller Bearing 30210-J2/Q			
53	24820224	1	Flange, Output			
54	24820225	1	O-Ring D. 45X3,5			
55	24820219	1	BUTT Washer			
56	24820220	1	Pin			
57	24820221	1	Washer D.16			
58	24820222.1	1	Screw			
140	24820333.1	0	Shim	#		



D_5027_5 Maintenance Kit

Fig.	Ref.	Qty.	Descr.	Obs	From	UpTo
1	24820401	1	Kit Gasket		15/06/2016	
1	24820401	1	Kit Gasket		15/06/2016	
2	A0105000	1	15W40 Sole Diesel Oil 5L		15/06/2016	
2	A0105000	1	15W40 Sole Diesel Oil 5L		15/06/2016	
3	24820403	2	Clutch Plate Kit		15/06/2016	
3	24820403	2	Clutch Plate Kit		15/06/2016	



D_5025_1 Sheet 1/4

Fig.	Ref.	Qty.	Descr.	Obs	From	UpTo
3	24873001.1	1	Housing TM 485A1			
6	24870102.1	1	Cover			
7	24870007.1	1	Cover			
23	24870080.1	1	BULKHead			
40	24870008.1	1	Gauge Oil LEVEL			
41	24870043	1	Pump Assy Oil			
43	24810506	1	Screw			
46	24870045.1	1	Screw			
47	24870046.1	1	Screw			
49	24810011	3	Plug,oil drain			
50	24830017	1	Plug			
63	24810088	3	Plane Washer			
64	24830016	1	Washer			
65	24850092	1	Washer			
68	24850093	16	Washer			
69	24810044	7	Screw			
71	24830025	8	Screw			
79	24810527	1	SCREW, RACORD			
80	24810532	1	SWITCHER			

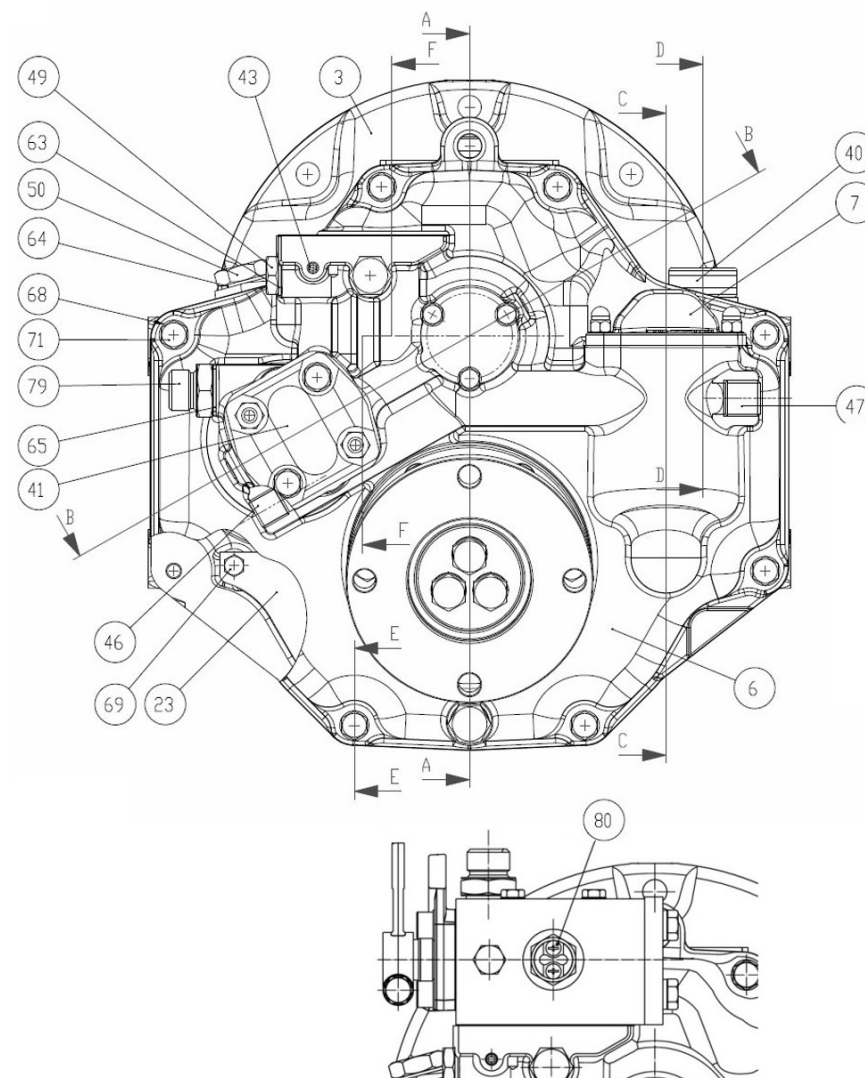


Fig.	Ref.	Qty.	Descr.	Obs	From	UpTo
2	24870062	2	Selector Valve			
3	24873001.1	1	Housing TM 485A1			
4	24870105	1	REAR Cover Input Shaft			
5	24870208	1	REAR Cover Output Shaft			
6	24870102.1	1	Cover			
9	24813500.67	6	Spacer			
10	24870219	3	Shim			
11	24870222	1	Washer			
12	24810307	2	Washer			
13	24870124	2	Piston			
14	24810322	2	Spring			
15	24870201	1	Output Shaft			
16	24873101	1	Input Shaft			
18	24810316	18	Disk			
19	24870115	20	Conduct Disk			
20	24870113	2	Retainer Ring			
21	24810328	4	Washer			
22	24810325	2	Washer			
23	24870080.1	1	BULKHead			
26	24870081.1	1	SUCTION Pipe			
31	24810065	1	Plug			
35	24873203	1	Gear R.2,09			
36	24873210	1	Gear R.2,09			
38	24870203	1	TRANSFER Gear,LAY Shaft			
39	24870224	1	Flange Output			
45	24850087	2	Plug			
49	24810011	3	Plug,oil drain			
51	24810103	1	Oil Grommet			
52	24870214	1	LIP Seal			
56	24870059	2	O-Ring			
58	24870318	2	THRUST RACE			

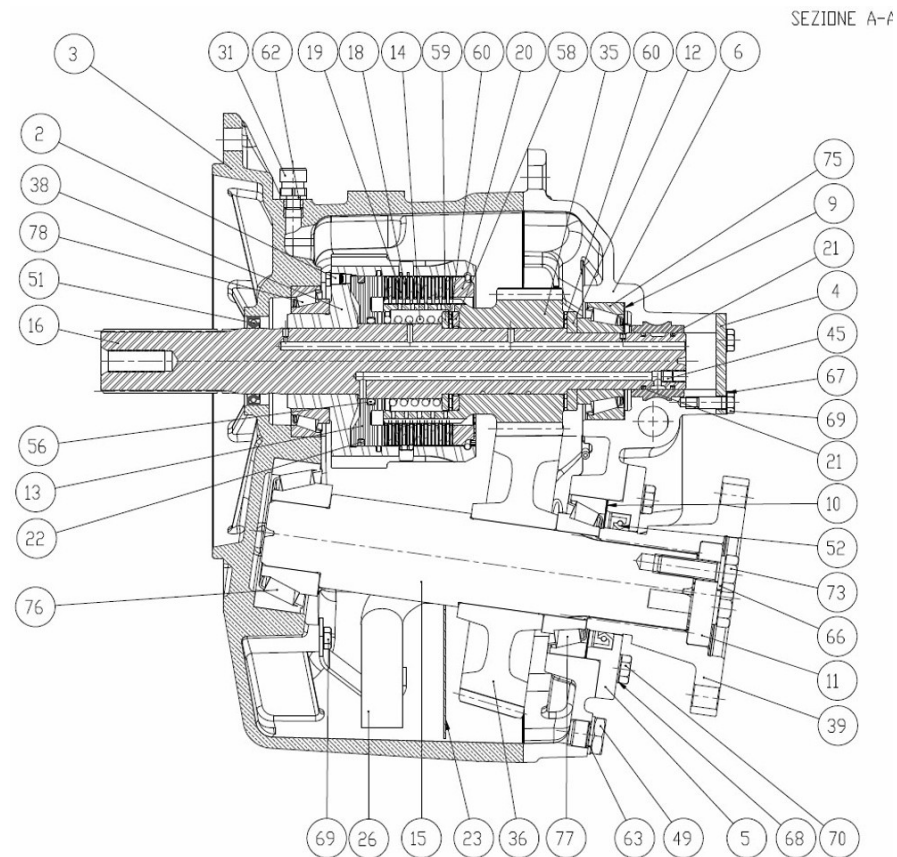


Fig.	Ref.	Qty.	Descr.	Obs	From	UpTo
59	24870118	2	THRUST RACE			
60	24810309	4	Roller			
62	24810063	1	Plane Washer			
63	56000069	3	Washer 14-20-1,5			
66	24820075	3	Washer			
67	24860092	5	Washer			
68	24850093	16	Washer			
69	52102156	7	Bolt DIN 933 M6-16 8.8			
70	24810047	6	Screw			
73	52101310	3	Bolt DIN 931 M10-35 8.8			
75	24870207	2	Bearing			
76	24870212	1	Conical Roller Bearing 30307			
77	24870205	1	Bearing			
78	24870206	2	Bearing			

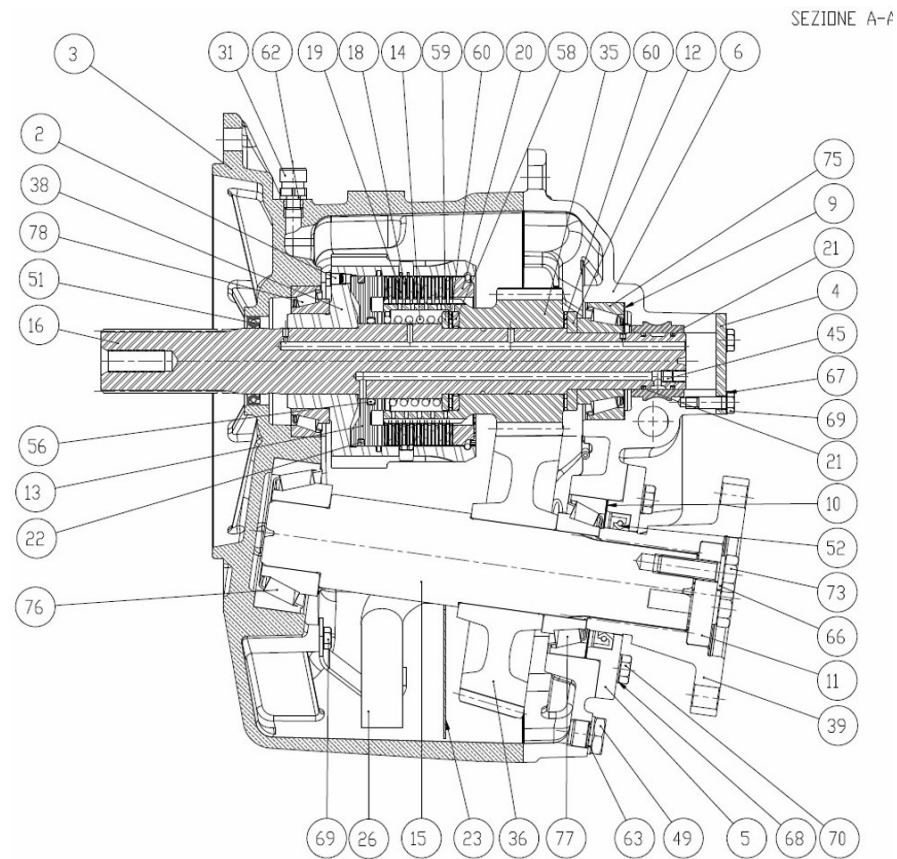


Fig.	Ref.	Qty.	Descr.	Obs	From	UpTo
1	24810062	1	Valve BY PASS			
2	24870062	2	Selector Valve			
4	24870105	1	REAR Cover Input Shaft			
6	24870102.1	1	Cover			
9	24813500.67	6	Spacer			
12	24810307	2	Washer			
13	24870124	2	Piston			
14	24810322	2	Spring			
16	24873101	1	Input Shaft			
17	24870301	1	LAY Shaft			
18	24810316	18	Disk			
19	24870115	20	Conduct Disk			
20	24870113	2	Retainer Ring			
21	24810328	4	Washer			
22	24810325	2	Washer			
27	24870082.1	1	Pipe			
28	24870083.1	1	PIPE			
29	24870084.1	1	Bushing			
30	24870310	2	FIXING Ring			
32	24870035.1	1	Oil Filter			
33	24870303	1	Cover			
34	24873302	1	Gear R.2,09			
35	24873203	1	Gear R.2,09			
37	24870103	1	TRANSFER Gear,PRIMARY Shaft			
38	24870203	1	TRANSFER Gear,LAY Shaft			
42	24870086.1	1	Spring			
44	24870044.1	1	Screw			
45	24850087	2	Plug			
48	24870047.1	1	Screw			
51	24810103	1	Oil Grommet			
55	24870009	1	O-Ring			

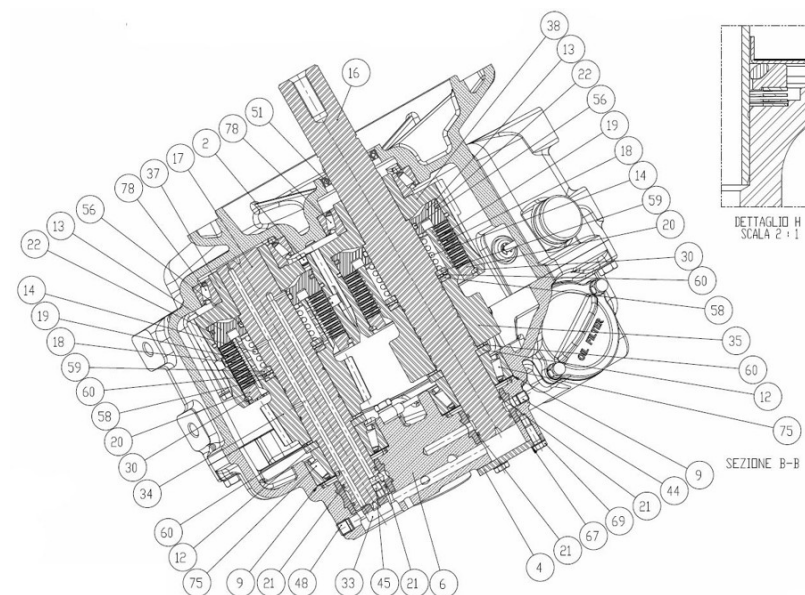
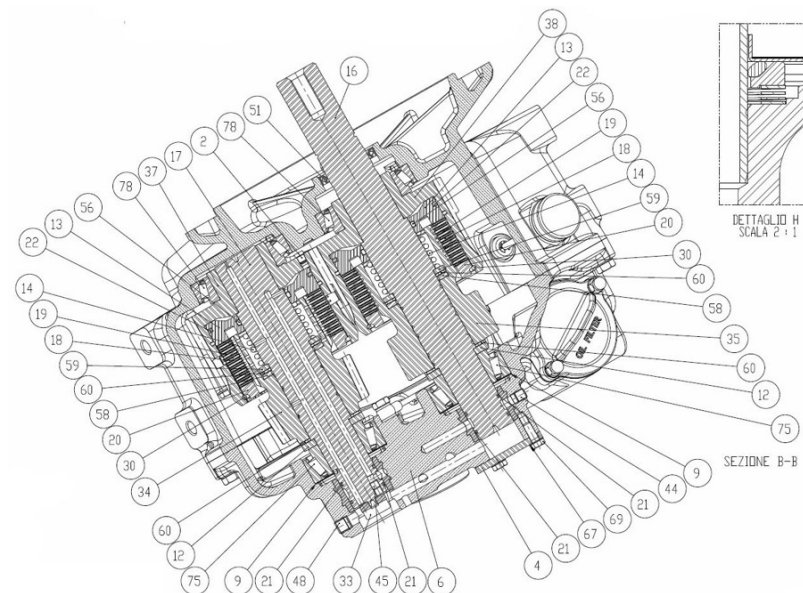
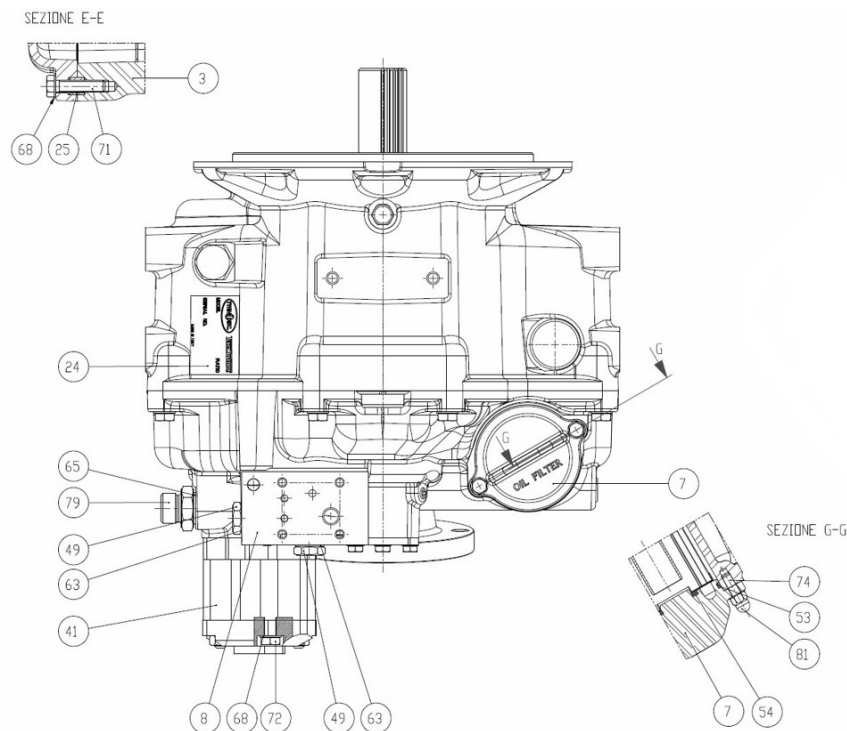


Fig.	Ref.	Qty.	Descr.	Obs	From	UpTo
56	24870059	2	O-Ring			
57	24870011.1	1	O-Ring			
58	24870318	2	THRUST RACE			
59	24870118	2	THRUST RACE			
60	24810309	4	Roller			
61	24820086	2	Washer			
67	24860092	5	Washer			
69	24810044	7	Screw			
75	24870207	2	Bearing			
78	24870206	2	Bearing			
80	24870083	1	PIPE			



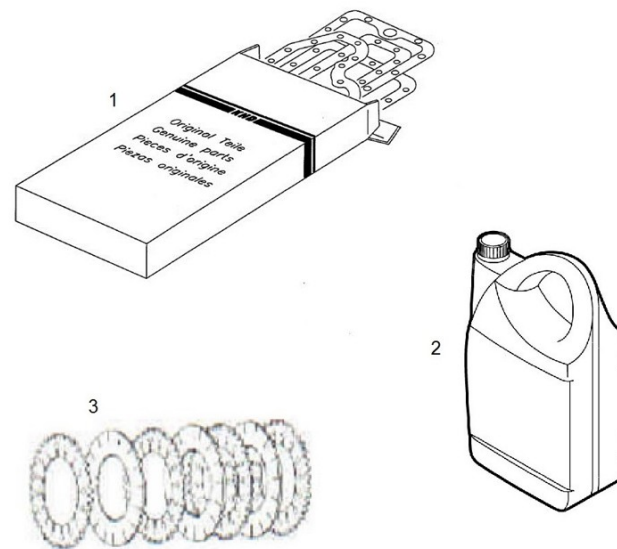
D_5025_4 Sheet 4/4

Fig.	Ref.	Qty.	Descr.	Obs	From	UpTo
3	24873001.1	1	Housing TM 485A1			
7	24870007.1	1	Cover			
8	24870015	1	Gasket			
24	24850005	1	Plate, IDENTIFICATION			
25	24870085	2	Pin			
41	24870043	1	Pump Assy Oil			
49	24810011	3	Plug,oil drain			
53	24870009.1	1	O-Ring			
54	24870010.1	2	O-Ring			
63	24810088	3	Plane Washer			
65	24850092	1	Washer			
68	24850093	16	Washer			
71	24830025	8	Screw			
72	24870044	2	Screw			
74	24870071	2	Stud			
79	24810527	1	SCREW, RACORD			
81	24870012.1	2	Nut			



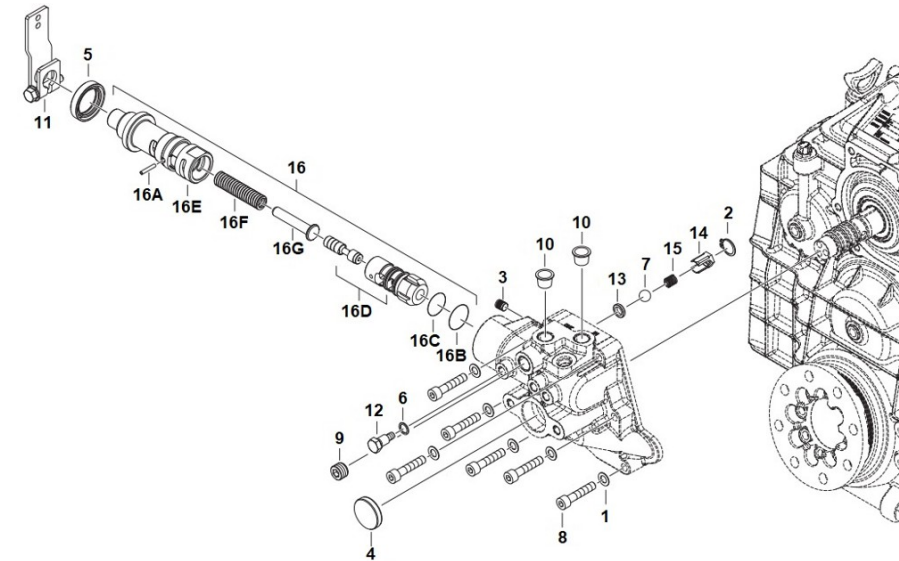
D_5025_5 Maintenance Kit

Fig.	Ref.	Qty.	Descr.	Obs	From	UpTo
1	24873401	1	Gasket Kit		15/06/2016	
2	A0105000	1	15W40 Sole Diesel Oil 5L		15/06/2016	
3	24873403	2	Clutch Plate Kit		15/06/2016	



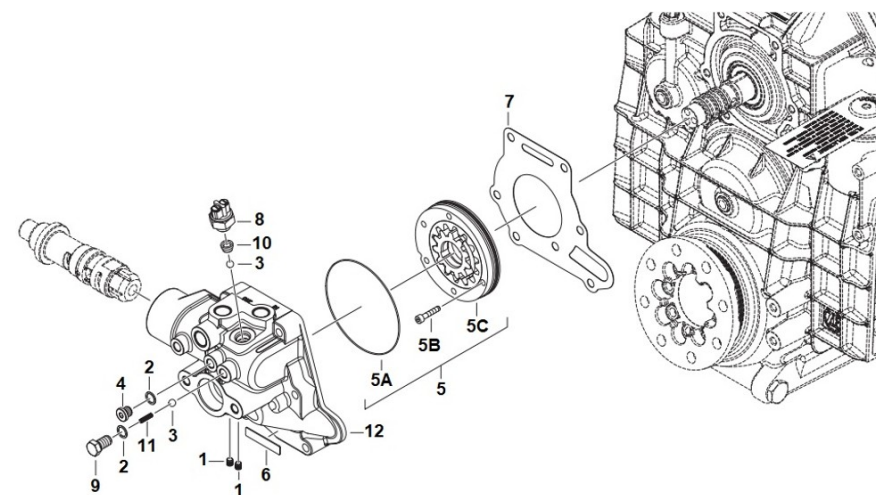
D_ZF68_1 Sheet 1/5

Fig.	Ref.	Qty.	Descr.	Obs	From	UpTo
1	Z0630100251	7	Spring Washer			
2	Z0630502005	1	Circlip			
3	Z0631405003	1	Plug			
4	Z0631405061	1	Plug			
5	Z0634309621	1	Shaft Seal			
6	Z0634801152	3	Sealing Ring			
7	Z0635460023	1	Ball			
8	Z0636115291	6	Cap Screw			
9	Z0636309007	1	Drain Plug			
10	Z0637510251	2	Plug			
11	Z3312208032	1	Lever			
12	Z3312308195	1	Locking Screw			
13	Z3312308036	1	Spacer			
14	Z3312308038	1	Bush			
15	Z3312308042	1	Compression Spring			
16	Z3312108021	1	Control Unit			
16A	Z0631313002	1	Cylindrical Pin			
16B	Z0634303233	1	O-Ring			
16C	Z0634304539	1	O-Ring			
16D	Z3312208009	1	Valve Part			
16E	Z3312308033	1	Valve Body			
16F	Z3312308040	1	Compression Spring			
16G	Z3312308043	1	Guide Pin			



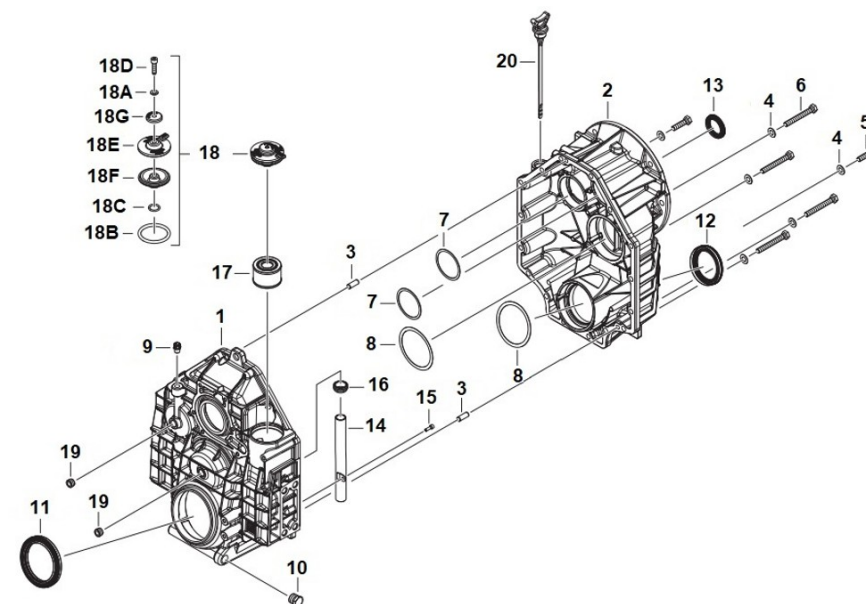
D_ZF68_2 Sheet 2/5

Fig.	Ref.	Qty.	Descr.	Obs	From	UpTo
1	Z0631100217	2	Plug			
2	Z0634801152	3	Sealing Ring			
3	Z0635460014	2	Ball			
4	Z0636100793	1	Screw Plug			
5	Z3312106002	1	Pump Drive			
5A	Z0634303373	1	O-Ring			
5B	Z0636102006	5	Cap Screw			
5C	Z3312206101	1	Gear Pump			
6	Z3312308202	1	Plate			
7	Z3312308020	1	Gasket			
8	Z3312308029	1	Cut-Out Switch			
9	Z3312308037	1	Threaded Bush			
10	Z3312308039	1	Beilegring			
11	Z3312308047	1	Compression Spring			
12	Z3312308188	1	Distributor Piece			



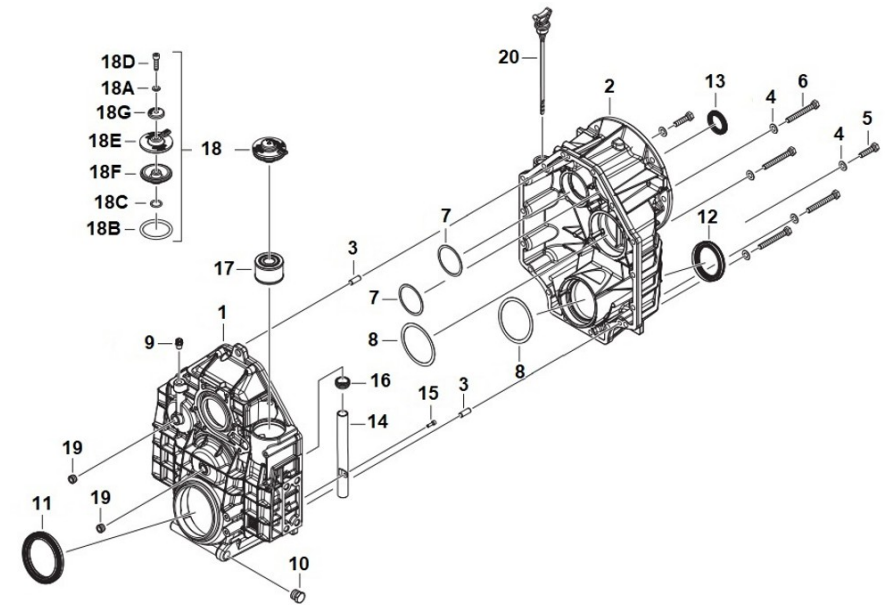
D_ZF68_3 Sheet 3/5

Fig.	Ref.	Qty.	Descr.	Obs	From	UpTo
1	Z3312301100	1	Housing			
2	Z3312201004	1	Housing Cover			
3	Z0631315520	2	Cylindrical Pin			
4	Z0630100241	16	Spring Washer			
5	Z0636015683	12	Hexagon Screw			
6	Z0636100347	4	Hexagon Screw			
7A	Z3312302023	0	Shim 62.2X71.7X0.1	#		
7B	Z3312302024	0	Shim 62.2X71.7X0.15	#		
7C	Z3312302025	0	Shim 62.2X71.7X0.2	#		
7D	Z3312302026	0	Shim 62.2X71.7X0.5	#		
8A	Z3312304022	0	Shim 0.1	#		
8B	Z3312304023	0	Shim 0.15	#		
8C	Z3312304024	0	Shim 0.3	#		
8D	Z3207303013	0	Shim H=0.50	#		
9	Z0501396898	1	Breather			
10	Z3312301017	1	Drain Plug			
11	Z0501399222	1	Shaft Seal			
12	Z0501399223	1	Shaft Seal			
13	Z0501399224	1	Shaft Seal			
14	Z3312301034	1	Tube			
15	Z0636101439	1	Cap Screw			
16	Z3312301008	1	Profiled Seal Ring			
17	Z3312301007	1	Oil Filter			
18	Z3312101003	1	Cover			
18A	Z0630100295	1	Washer			
18B	Z0634304688	1	O-Ring			
18C	Z0634306204	1	O-Ring			
18D	Z0636100790	1	Cap Screw			
18E	Z3312301009	1	Filter Cover			
18F	Z3312301010	1	Filter Cover			
18G	Z3312301014	1	Filter Cover			



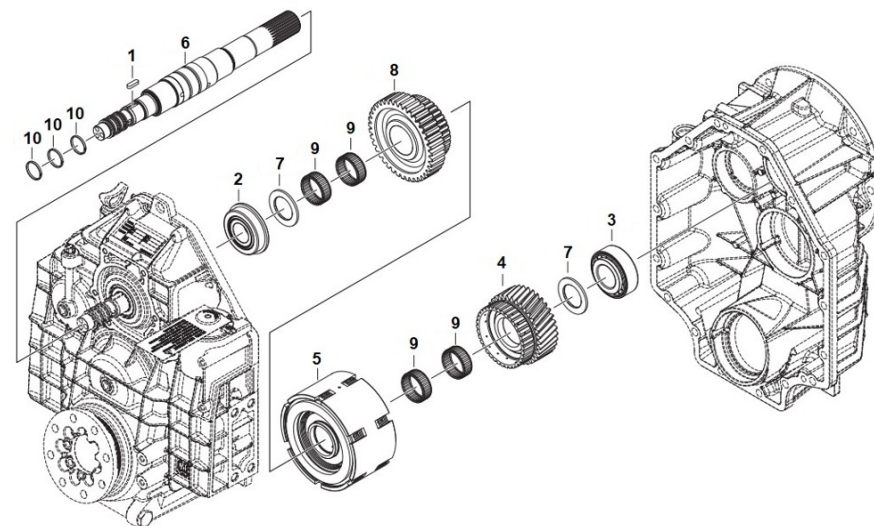
D_ZF68_3 Sheet 3/5

Fig.	Ref.	Qty.	Descr.	Obs	From	UpTo
19	Z0636100473	1	Screw Plug			
20	Z3312201003	1	Oil Dipstick			



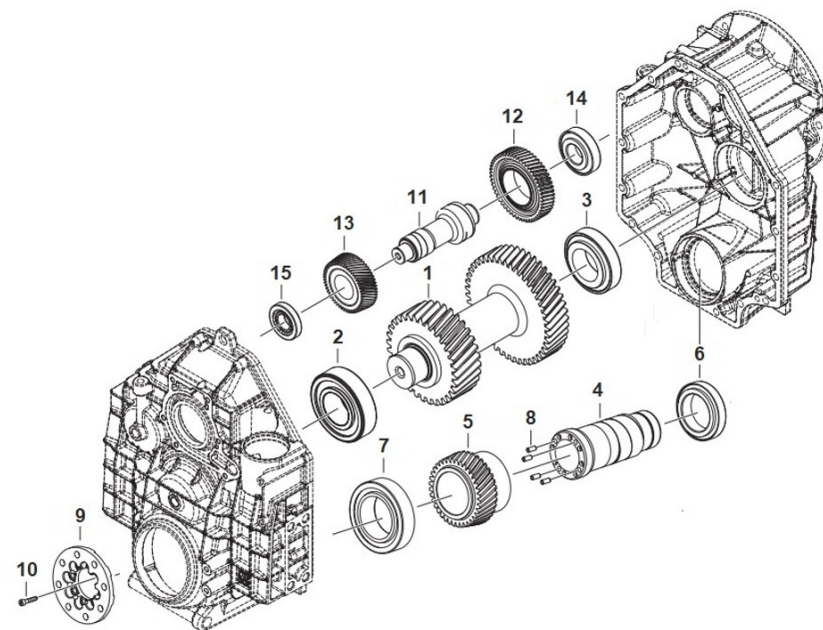
D_ZF68_4 Sheet 4/5

Fig.	Ref.	Qty.	Descr.	Obs	From	UpTo
1	Z0631501062	1	Fitted Key			
2	Z0635501937	1	Ta.Roller Bearing			
3	Z0635501940	1	Ta.Roller Bearing			
4	Z3312302103	1	Gear			
5	Z3312202102	1	Clutch Cylinder			
6	Z3312302001	1	Input Shaft			
7	Z3312302004	2	Thrust Washer			
8	Z3312302104	1	Gear			
9	Z3312302040	4	Needle Cage			
10	Z3312302042	3	Sealing Ring			



D_ZF68_5 Sheet 5/5

Fig.	Ref.	Qty.	Descr.	Obs	From	UpTo
1A	Z3312303105	1	Intermediate Shaft Z/Z=45/32 R:1.56			
1B	Z3312303107	1	Intermediate Shaft Z=36 R:1.29			
1BC	Z3312303106	1	Gear Z=45 R:1.29 / 1.99 / 2.48			
1C	Z3312303109	1	Intermediate Shaft Z=27 R:1.99 / 2.48			
2	Z0635501941	1	Ta.Roller Bearing			
3	Z0735302485	1	Tapered Roller Bearing			
4	Z3312304014	1	Quill Shaft			
5A	Z3312304101	1	Gear Z=34 R:1.29 / 1.56 / 1.99			
5B	Z3312304100	1	Gear Z=41 R:2.48			
6	Z0635370020	1	Ta.Roller Bearing			
7	Z0635376005	1	Ta.Roller Bearing			
8	Z0631313008	4	Cylindrical Pin			
9	Z3312304105	1	Output Flange			
10	Z0636102823	8	Cap Screw			
11	Z3312303016	1	Interm.Shaft			
12A	Z3312303103	1	Gear Z=53 R:1.56			
12B	Z3312303101	1	Gear Z=49 R:1.29			
12C	Z3312303102	1	Gear Z=58 R:1.99 / 2.48			
13A	Z3312303110	1	Gear Z=33 R:1.29 / 1.56 / 1.99			
13C	Z3312303100	1	Gear Z=32 R:2.48			
14	Z0635100087	1	Ta.Roller Bearing			
15	Z0635376012	1	Tapered Roller Bearing			



D_0338_1 Sheet 1/2

Fig.	Ref.	Qty.	Descr.	Obs	From	UpTo
1	Z3311301029	1	Housing			
2	Z0636100473	1	Screw Plug			
3	Z0634319132	1	Output Shaft Seal			
4	24640010	1	Filter cover, assy.			
5	(*)	1	Not available			
6	24640011	1	O-Ring			
7	24640012	1	O-Ring			
8	Z0630100295	1	Washer			
9	Z0636100790	1	Cap Screw			
10	Z3312301007	1	Oil Filter			
11	24640019	1	Gasket			
12	Z3312199031	1	Oil Filter, Assy			
13	Z0636015682	4	Hexagon Screw			
14	24640031	1	Name plate			
15	24640018	1	Oilfilter			
16A	Z3311301027	1	Suction Pipe			
16B	Z3311301039	1	Suction Pipe With Support			
17	Z0632311398	1	Clamp			
18	Z0636101411	1	Hex Head Screw			
19	Z3311301026	1	Buffle Plate			
20	Z0636100564	4	Screw			
21	Z0630001139	4	Spring Washer			
22	24640024	2	Locator pin			
23	Z3311301030	1	Cover (Housing)			
24	24640021	1	Oildipstick + OR			
25	24640022	1	O-Ring			
26	24640002	1	Breather valve			
27	24640029	1	Input shaft seal			
28	Z0630100241	14	Spring Washer			
29	Z0636100347	10	Hexagon Screw			

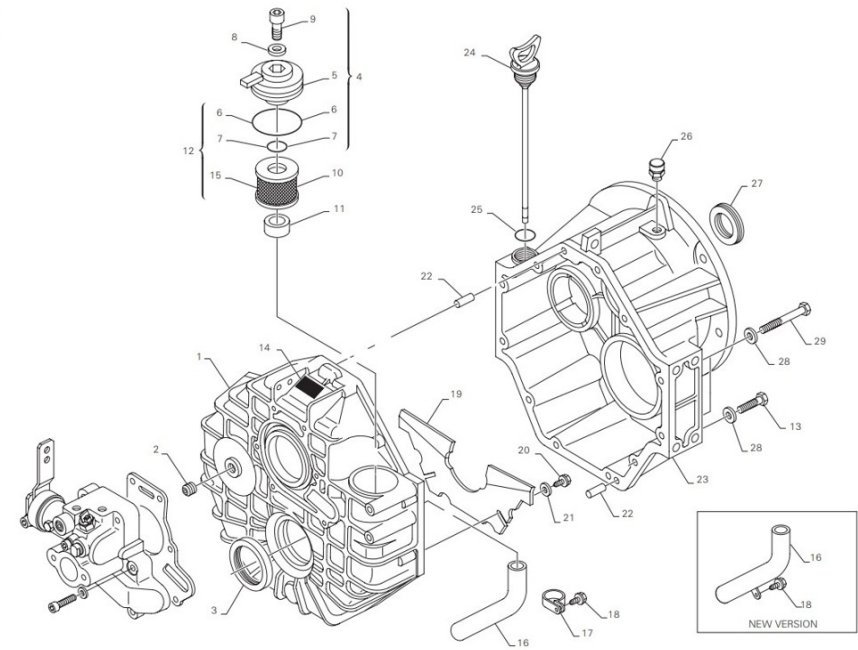
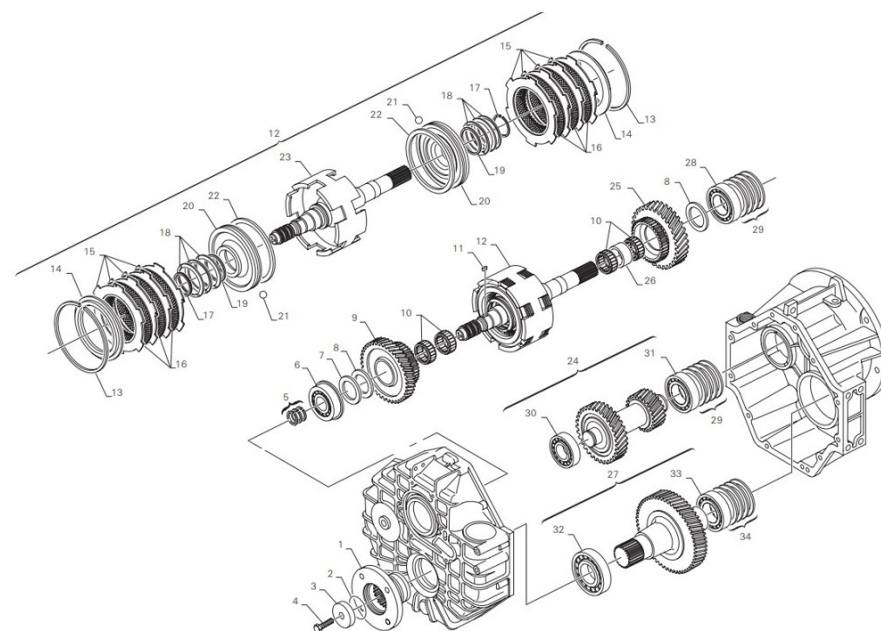
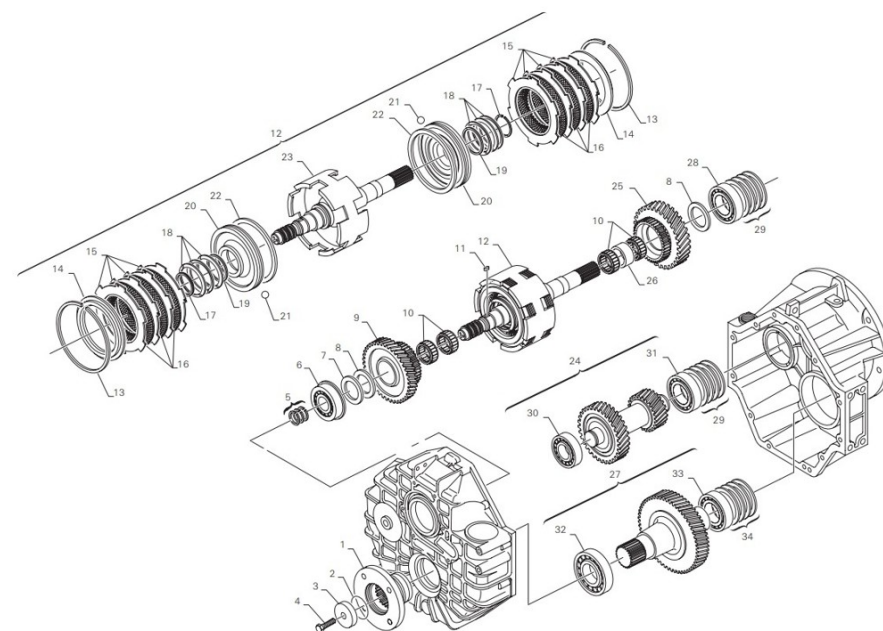


Fig.	Ref.	Qty.	Descr.	Obs	From	UpTo
1	Z3311304013	1	Flange			
2	Z0634306328	1	O-Ring			
3	Z3313304017	1	Washer			
4	Z0636016111	1	Hex head screw			
5	24640101	3	Piston ring			
6	24640102	1	Tapered roller bearing			
7	Z3311302036	1	Spacer			
8	24640103	2	Butting ring			
9	Z3311202005	1	Reverse gear Z3=47			
9	Z3311202021	1	Reverse gear Z3=47			
10	24640105	4	Needle bearing			
11	24640106	1	Key			
12	Z3311199047	1	Input shaft, Assy			
13	Z0630513163	2	Snap ring			
14	Z3311302004	2	End disc			
15	Z3311302006	10	Outer clutch disc			
16	Z3311302005	8	Innerl clutch disc			
17	Z3311302008	2	Retainer ring			
18	Z3311302007	6	Cup spring			
19	Z0634402539	2	Inner clutch piston ring			
20	Z3311302003	2	Clutch piston			
20	Z3311302037	2	Clutch piston			
21	Z0635460004	2	Ball			
22	Z0634402179	2	Outer clutch piston ring			
23	Z3311199046	1	Input shaft and clutch housing			
24A	Z3311199049	1	Intermediate shaft R. 2,20 Z4=47, Z5=45			
24B	Z3311199050	1	Intermediate shaft R. 2,51 Z4=47, Z5=41			
24C	Z3311199051	1	Intermediate shaft R. 3,03 Z4=47, Z5=32			
24D	Z3311199052	1	Intermediate shaft R. 3,74 Z4=47, Z5=27			
25A	Z3311202009	1	Forward gear R. 2,20 Z1=47			
25A	Z3312202022	1	Forward gear R. 2,20 Z1=47			



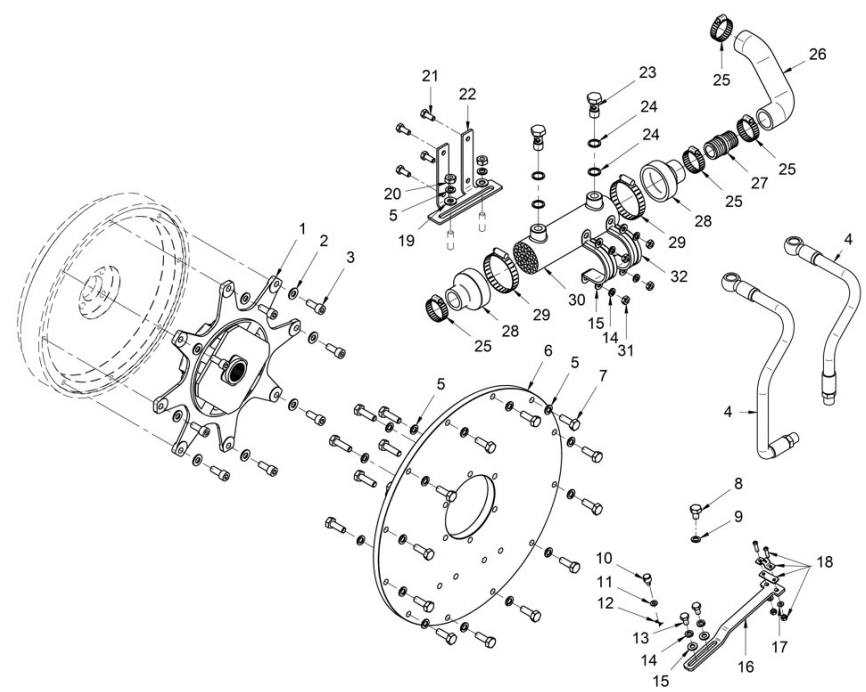
D_0338_2 Sheet 2/2

Fig.	Ref.	Qty.	Descr.	Obs	From	UpTo
25B	Z3311202006	1	Forward gear R. 2,51 Z1=41			
25B	Z3312202023	1	Forward gear R. 2,51 Z1=41			
25C	Z3311202007	1	Forward gear R. 3,03 Z1=32			
25C	Z3311202024	1	Forward gear R. 3,03 Z1=32			
25D	Z3311202008	1	Forward gear R. 3,74 Z1=27			
25D	Z3311202026	1	Forward gear R. 3,74 Z1=27			
26	Z3312302035	1	Spacer			
27A	Z3311199053	1	Output shaft R. 2,20 Z2=99			
27B	Z3311199025	1	Output shaft R. 2,51 Z2=103			
27C	Z3311199027	1	Output shaft R. 3,03 Z2=97			
27D	Z3311199031	1	Output shaft R. 3,74 Z2=101			
28	24640120	1	Tapered roller bearing			
29A	24640121	2	Shim 0.1 mm			
29B	24640122	0	Shim 0.15 mm	#		
29C	24640301	0	Shim 0.2 mm	#		
30	Z0635370049	1	Tapered roller bearing			
31	24640304	1	Tapered roller bearing			
32	Z0635501938	1	Tapered roller bearing			
33	Z0635501922	1	Tapered roller bearing			
34A	Z3312304027	2	Shim 0.1 mm			
34B	Z3312304028	0	Shim 0.15 mm	#		
34C	Z3312304029	0	Shim 0.3 mm	#		
34D	Z3312304030	0	Shim 0.5 mm	#		



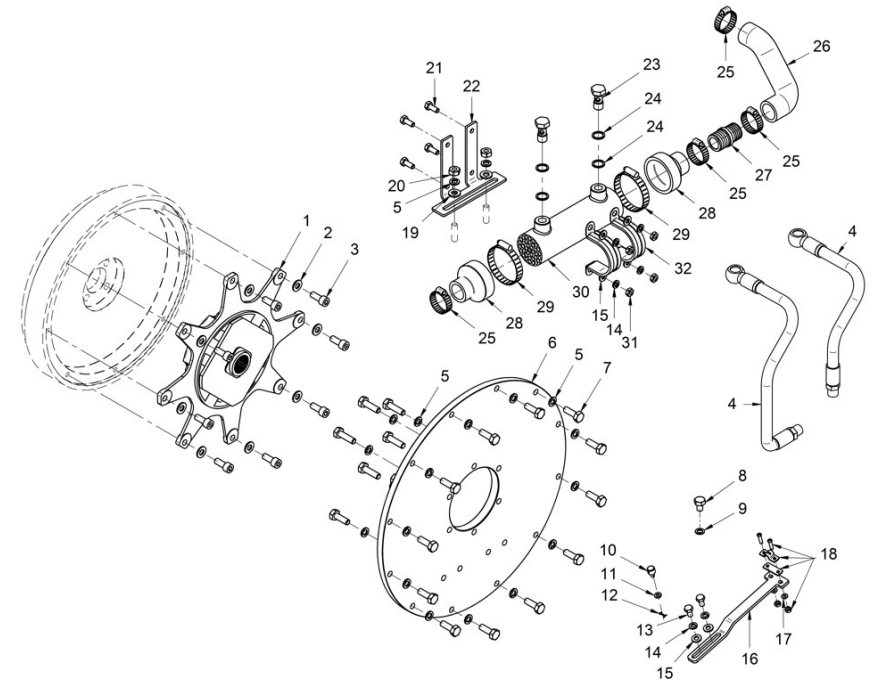
17410200 Kit GearBox TM-93/A

Fig.	Ref.	Qty.	Descr.	Obs	From	UpTo
1	16510170	1	Flexible coupling type C SAE 11"1/2			
2	53038010	8	Washer DIN 6798-A 10			
3	52103308	8	Bolt DIN 912 M10-25 8.8			
4	17112024	2	Pipe, rev.oil Cooler			
5	53033010	14	Washer GROWER DIN 127-10			
6	24810021	1	SAE 3 housing TM-93/A/170/880A (H=12,5 mm)			
7	52102309	12	Bolt DIN 933 M10-30 8.8			
8	52102306	1	Bolt DIN 933 M10-15 8.8			
9	56000061	1	Washer 10-16-1,5			
10	14719115	1	Coupling,cable			
11	51030006	4	Washer DIN 125-6			
12	51051107	1	Pin DIN-94 1,6-16			
13	52102256	2	Bolt DIN 933 M8-16 8.8			
14	53033008	6	Washer GROWER DIN 127-8			
15	51030008	6	Washer DIN 125-8			
16	18619020	1	Bracket,Gear box control			
17	51030005	2	Washer DIN 125-5			
18	24810913	1	Clamp,CABLE			
19	51030010	2	Washer DIN 125-10			
20	52120010	2	Nut DIN 934 M10 8.8			
21	52102257	4	Bolt DIN 933 M8-20 8.8			
22	13912041	1	Bracket,TM Oil Cooler			20/05/2018
22	18012041	1	Bracket,TM93/170 oil cooler		20/05/2018	
23	14712015	2	Bolt,Coupling pipe oil			
24	59031017	4	Washer			
25	54082025	4	Clamp DIN 3017 25-40/12 W4			
26	17411022	1	Rubber Elbow			
27	18011026	1	Pipe			
28	15312007	2	Water Cooler Cover			
29	54082050	2	Clamp DIN 3017 50-70/12 W4			
30	1A012051	1	Cooler,oil			



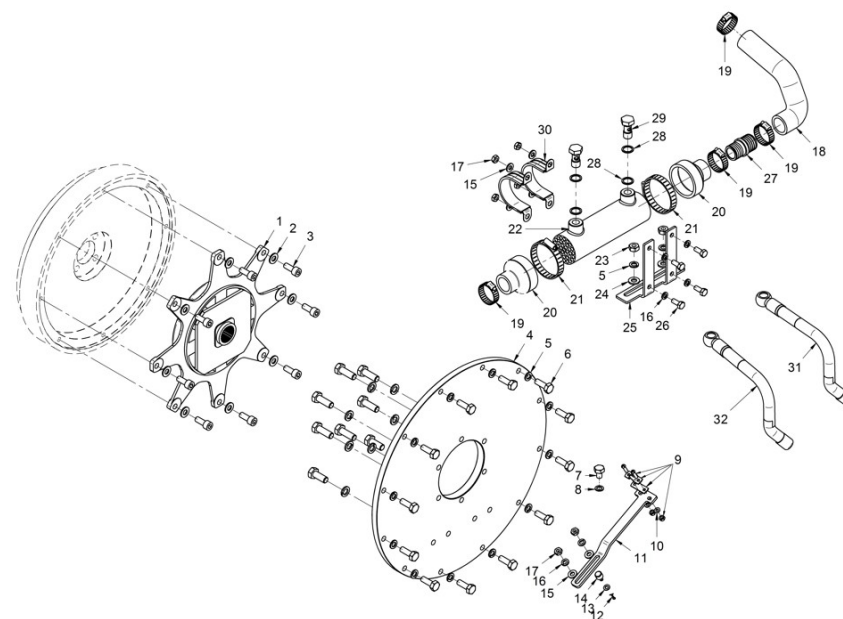
17410200 Kit GearBox TM-93/A

Fig.	Ref.	Qty.	Descr.	Obs	From	UpTo
31	52120008	4	Nut DIN 934 M8 8.8			
32	59072604	2	Clamp			



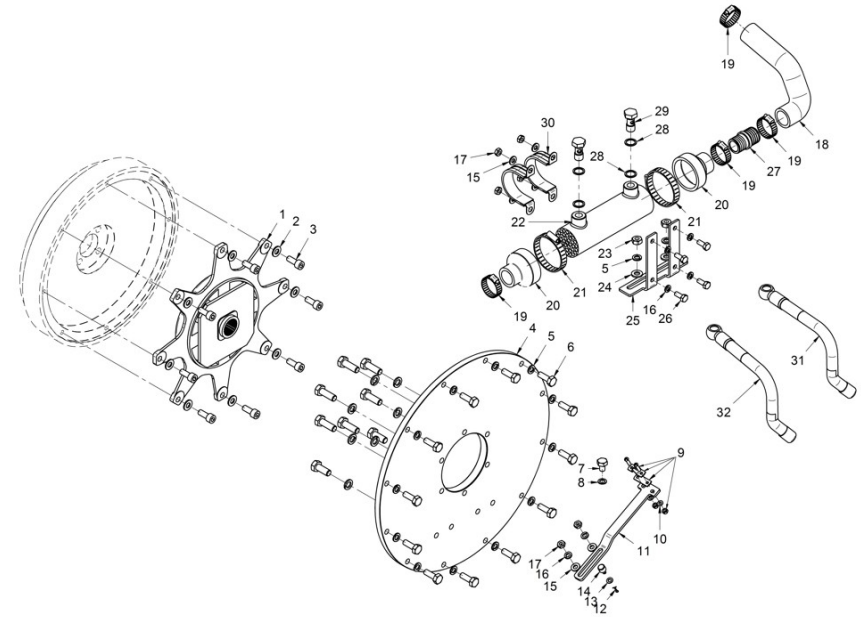
17410215 Kit GearBox TM-170/A/880A

Fig.	Ref.	Qty.	Descr.	Obs	From	UpTo
1	16510170	1	Flexible coupling type C SAE 11"1/2			
2	53038010	8	Washer DIN 6798-A 10			
3	52103308	8	Bolt DIN 912 M10-25 8.8			
4	24810021	1	SAE 3 housing TM-93/A/170/880A (H=12,5 mm)			
5	53033010	14	Washer GROWER DIN 127-10			
6	52102309	12	Bolt DIN 933 M10-30 8.8			
7	52102306	1	Bolt DIN 933 M10-15 8.8			
8	56000061	1	Washer 10-16-1,5			
9	24810913	1	Clamp,CABLE			
10	51030005	2	Washer DIN 125-5			
11	18619020	1	Bracket,Gear box control			
12	51051107	1	Pin DIN-94 1,6-16			
13	51030006	3	Washer DIN 125-6			
14	14719115	1	Coupling,cable			
15	51030008	6	Washer DIN 125-8			
16	53033008	6	Washer GROWER DIN 127-8			
17	52120008	6	Nut DIN 934 M8 8.8			
18	17511009	1	Hose			
19	54082025	4	Clamp DIN 3017 25-40/12 W4			
20	15312007	2	Water Cooler Cover			
21	54082050	2	Clamp DIN 3017 50-70/12 W4			
22	1A012051	1	Cooler,oil			
23	52120010	2	Nut DIN 934 M10 8.8			
24	51030010	2	Washer DIN 125-10			
25	13912041	1	Bracket,TM Oil Cooler		25/06/2017	
25	18012041	1	Bracket,TM93/170 oil cooler			25/06/2017
26	52102257	4	Bolt DIN 933 M8-20 8.8			
27	18011026	1	Pipe			
28	59031017	4	Washer			
29	14712015	2	Bolt,Coupling pipe oil			
30	59072604	2	Clamp			



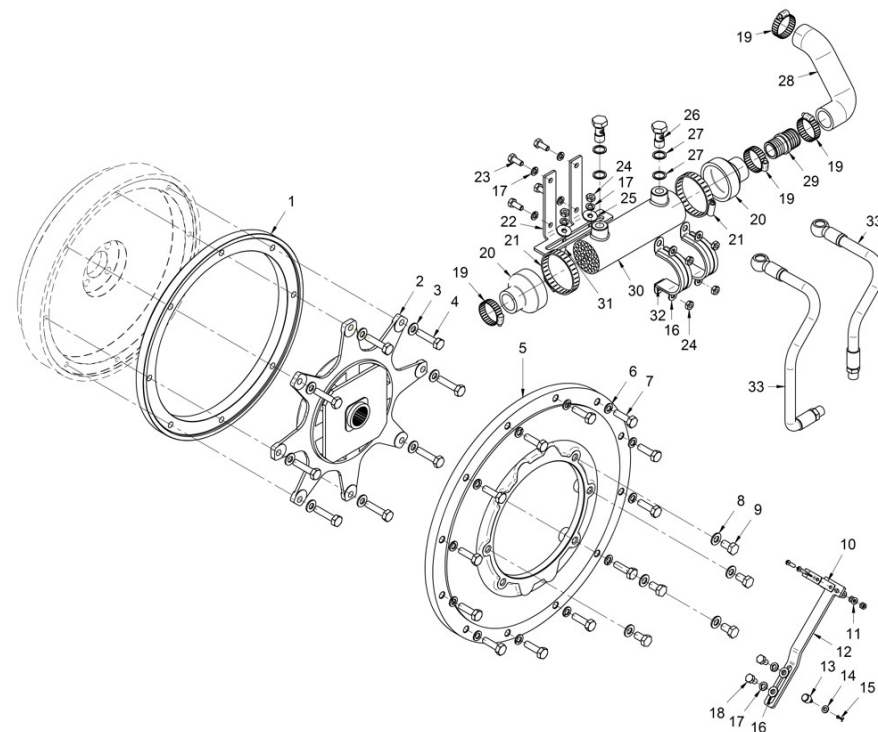
17410215 Kit GearBox TM-170/A/880A

Fig.	Ref.	Qty.	Descr.	Obs	From	UpTo
31	17112024	1	Pipe, rev.oil Cooler			
32	19412017	1	Pipe,rev.oil cooler			



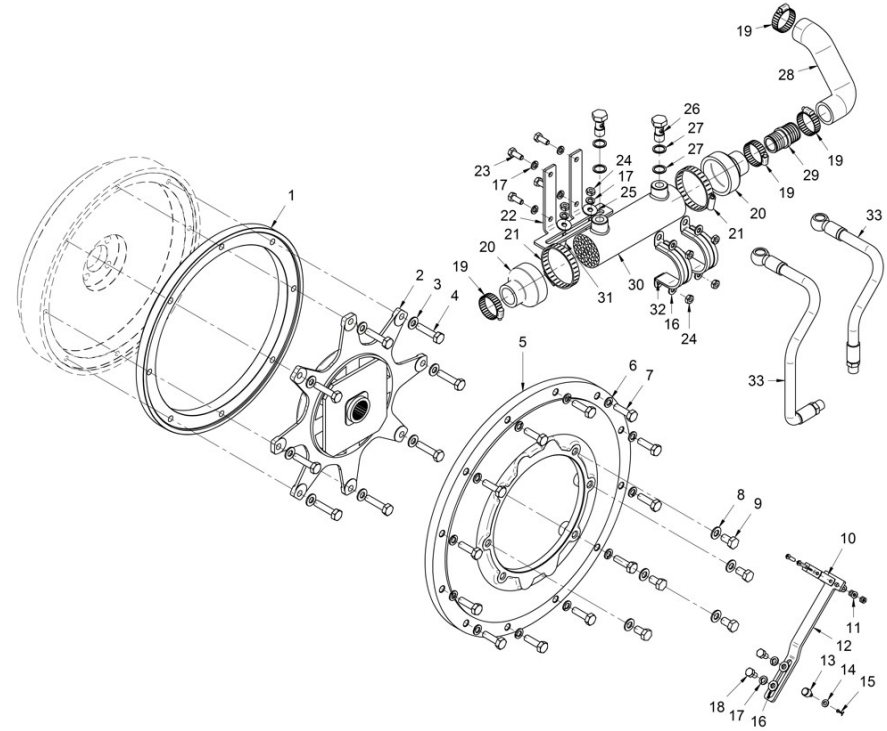
17410210 Kit GearBox TM-345/A

Fig.	Ref.	Qty.	Descr.	Obs	From	UpTo
1	17410022	1	Flywheel Supplement			
2	16510170	1	Flexible coupling type C SAE 11"1/2			
3	53038010	8	Washer DIN 6798-A 10			
4	52101312	8	Bolt DIN 931 M10-45 8.8			
5	14910012	1	SAE 3 housing gearbox			
6	53033010	12	Washer GROWER DIN 127-10			
7	52101310	12	Bolt DIN 931 M10-35 8.8			
8	53038012	5	Washer DIN 6798-A 12			
9	52302307	5	Bolt DIN 933 W7/16-20 8.8			
10	24810913	1	Clamp,CABLE			
11	51030005	2	Washer DIN 125-5			
12	18619020	1	Bracket,Gear box control			
13	14719115	1	Coupling,cable			
14	51030006	1	Washer DIN 125-6			
15	51051107	1	Pin DIN-94 1,6-16			
16	51030008	6	Washer DIN 125-8			
17	53033008	8	Washer GROWER DIN 127-8			
18	52102256	2	Bolt DIN 933 M8-16 8.8			
19	54082025	4	Clamp DIN 3017 25-40/12 W4			
20	15312007	2	Water Cooler Cover			
21	54082050	2	Clamp DIN 3017 50-70/12 W4			
22	18012041	1	Bracket,TM93/170 oil cooler			
23	52102257	4	Bolt DIN 933 M8-20 8.8			
24	52120008	6	Nut DIN 934 M8 8.8			
25	51031008	2	Washer DIN 9021 8			
26	14712015	2	Bolt,Coupling pipe oil			
27	59031017	4	Washer			
28	17511009	1	Hose			
29	18011026	1	Pipe			
30	1A012051	1	Cooler,oil			
31	12120018	2	Stud			



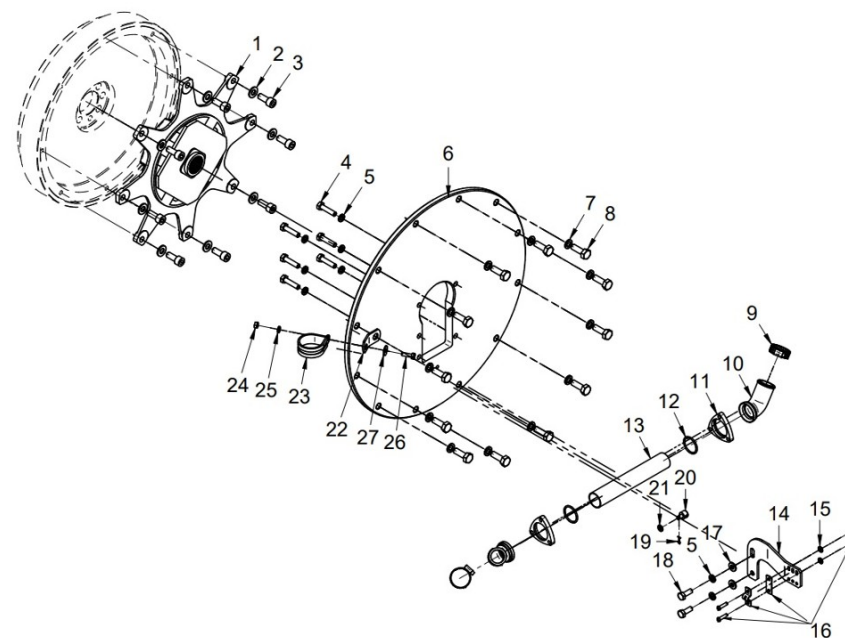
17410210 Kit GearBox TM-345/A

Fig.	Ref.	Qty.	Descr.	Obs	From	UpTo
32	59072604	2	Clamp			
33	17012024	2	Pipe			



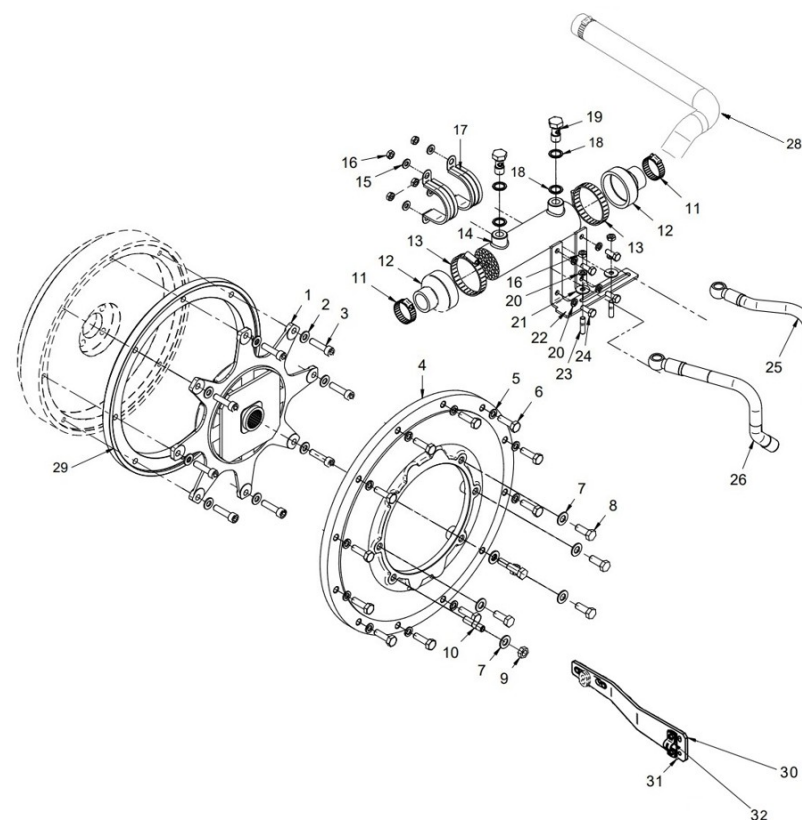
17810227 GearBox TMC-260 Kit SM-82/94

Fig.	Ref.	Qty.	Descr.	Obs	From	UpTo
1	16510170	1	Flexible coupling type C SAE 11"1/2			
2	53038010	8	Washer DIN 6798-A 10			
3	52103308	8	Bolt DIN 912 M10-25 8.8			
4	52101260	6	Bolt DIN 931 M8-35 8.8			
5	53033008	8	Washer GROWER DIN 127-8			
6	17410012	1	Adaptor Flange.			
7	53033010	12	Washer GROWER DIN 127-10			
8	52102309	12	Bolt DIN 933 M10-30 8.8			
9	54082025	2	Clamp DIN 3017 25-40/12 W4			
10	24890053	2	Elbow			
11	24890051	2	Cover			
12	24890052	2	O-Ring D. 32X2,5			
13	24890054	1	Cooler Pipe			
14	24880901	1	Bracket, GearBox Control			
15	51030005	3	Washer DIN 125-5			
16	24810913	1	Clamp,CABLE			
17	51030008	2	Washer DIN 125-8			
18	52102257	2	Bolt DIN 933 M8-20 8.8			
19	51051107	1	Pin DIN-94 1,6-16			
20	14719115	1	Coupling,cable			
21	51030006	2	Washer DIN 125-6			
22	13817011	1	Bracket			
23	59071452	2	Clamp 1 42/15 W1			
24	52120006	2	Nut DIN 934 M6 8.8			
25	53033006	2	Washer GROWER DIN 127-6			
26	52102157	2	Bolt DIN 933 M6-20 8.8			
27	51031006	2	Washer DIN 9021 6			
NS	15217010	1	Bracket,wirings			
NS	52102106	1	Bolt DIN 933 M5-15 8.8			
NS	M87503242	2.0	Water Intake Hose (HQ) D. 32-42			



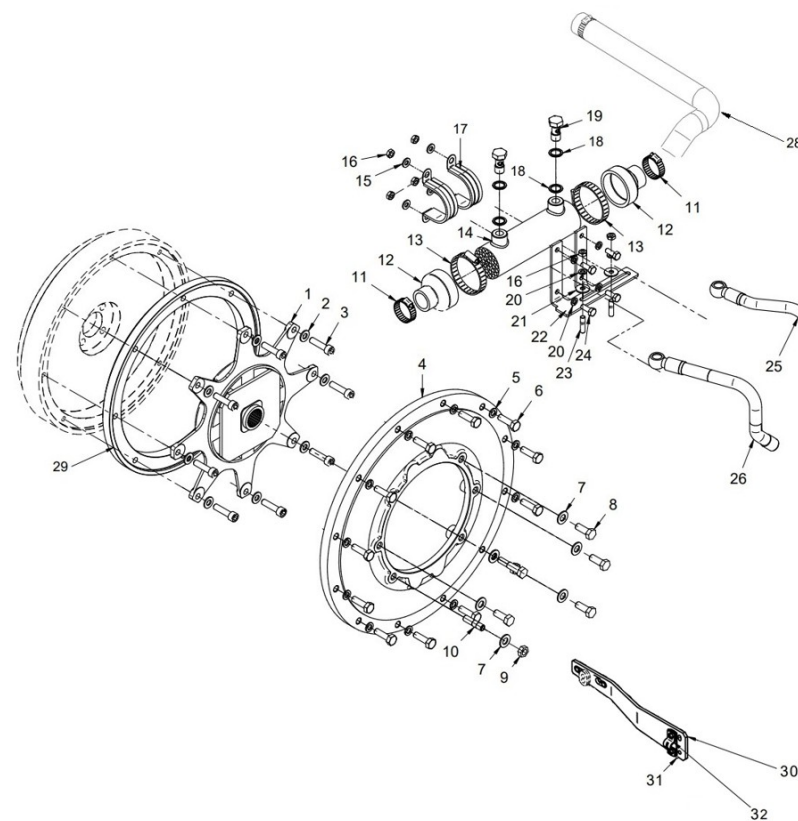
17510224 Kit GearBox TM-485A1

Fig.	Ref.	Qty.	Descr.	Obs	From	UpTo
1	16510170	1	Flexible coupling type C SAE 11"1/2			
2	53038010	8	Washer DIN 6798-A 10			
3	52103312	8	Bolt DIN 912 M10-45 8.8			
4	14910012	1	SAE 3 housing gearbox			
5	53033010	12	Washer GROWER DIN 127-10			
6	52102310	12	Bolt DIN 933 M10-35 8.8			
7	53038012	6	Washer DIN 6798-A 12			
8	52302309	5	Bolt DIN 933 W7/16-30 8.8			
9	52320716	1	Nut DIN 934 W 7/16 8.8			
10	17510004	1	Stud 7/16Wx44			
11	54082025	4	Clamp DIN 3017 25-40/12 W4			
12	15312007	2	Water Cooler Cover			
13	54082050	2	Clamp DIN 3017 50-70/12 W4			
14	1A012051	1	Cooler,oil			
15	51030008	6	Washer DIN 125-8			
16	52120008	6	Nut DIN 934 M8 8.8			
17	59072604	2	Clamp			
18	59031017	4	Washer			
19	14712015	2	Bolt,Coupling pipe oil			
20	53033008	8	Washer GROWER DIN 127-8			
21	51031008	2	Washer DIN 9021 8			
22	13912041	1	Bracket,TM Oil Cooler		25/06/2017	
22	18012041	1	Bracket,TM93/170 oil cooler			25/06/2017
23	12120018	2	Stud			
24	52102257	6	Bolt DIN 933 M8-20 8.8			
25	17512011	1	Pipe			
26	17512010	1	Pipe			
27	18011026	1	Pipe			
28	1A011035	1	Hose			
29	17410022	1	Flywheel Supplement			
30	24810901	1	Bracket, GearBox Control			



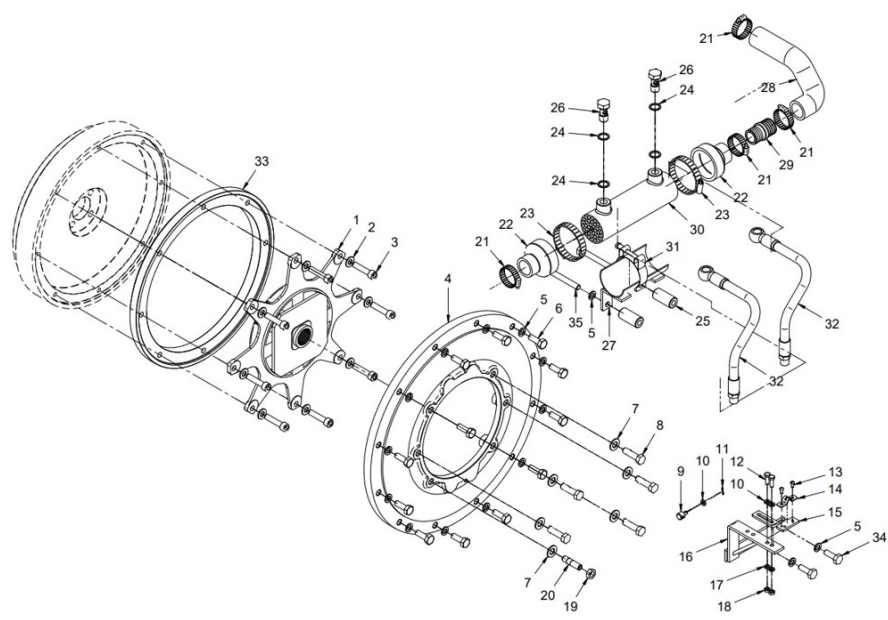
17510224 Kit GearBox TM-485A1

Fig.	Ref.	Qty.	Descr.	Obs	From	UpTo
31	51030005	2	Washer DIN 125-5			
32	24810913	1	Clamp,CABLE			
NS	13411036	1	Pipe 30-40-120			
NS	51030006	2	Washer DIN 125-6			
NS	51051107	1	Pin DIN-94 1,6-16			



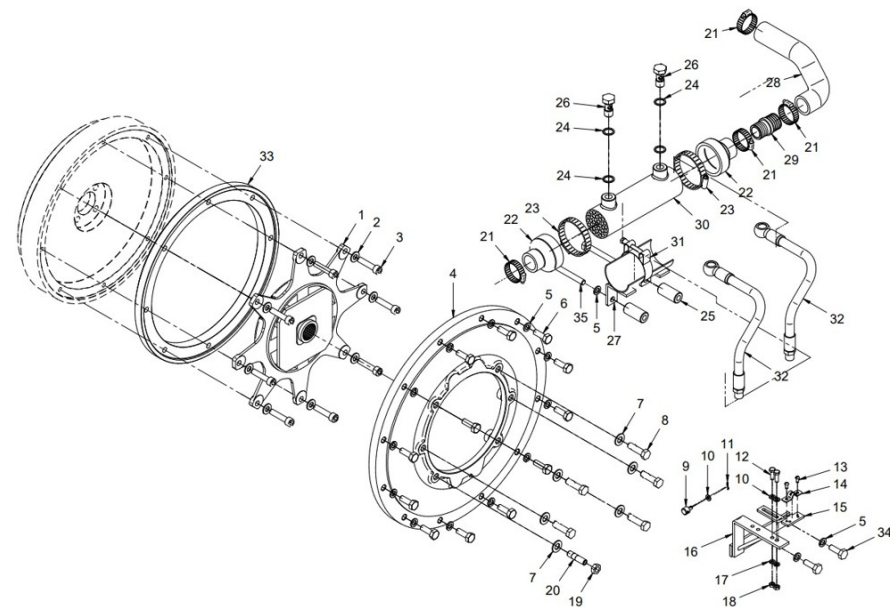
17410255 Kit GearBox ZF 68 IV

Fig.	Ref.	Qty.	Descr.	Obs	From	UpTo
1	16510170	1	Flexible coupling type C SAE 11"1/2			
2	53038010	8	Washer DIN 6798-A 10			
3	52103312	8	Bolt DIN 912 M10-45 8.8			
4	14910012	1	SAE 3 housing gearbox			
5	53033010	16	Washer GROWER DIN 127-10			
6	52102309	12	Bolt DIN 933 M10-30 8.8			
7	53038012	6	Washer DIN 6798-A 12			
8	52302310	5	Bolt DIN 933 W7/16-35 8.8			
9	14719115	1	Coupling,cable			
10	51030006	6	Washer DIN 125-6			
11	51051107	1	Pin DIN-94 1,6-16			
12	52102157	2	Bolt DIN 933 M6-20 8.8			
13	55307104	2	Bolt DIN 86 W3/16-10			
14	14719013	1	Clamp,cable			
15	12119021	1	SUPPORT Clamp			
16	16519020	1	Bracket, Gear box control			
17	53033006	2	Washer GROWER DIN 127-6			
18	52120006	2	Nut DIN 934 M6 8.8			
19	52320716	1	Nut DIN 934 W 7/16 8.8			
20	17510004	1	Stud 7/16Wx44			
21	54082025	4	Clamp DIN 3017 25-40/12 W4			
22	15312007	2	Water Cooler Cover			
23	54082050	2	Clamp DIN 3017 50-70/12 W4			
24	59031017	4	Washer			
25	17017102	2	Spacer 10,5X22X46			
26	14712015	2	Bolt,Coupling pipe oil			
27	16512010	1	Bracket,oil cooler			
28	17511009	1	Hose			
29	18011026	1	Pipe			
30	1A012051	1	Cooler,oil			
31	51083060	1	GP Clamp 59-63 W2			



17410255 Kit GearBox ZF 68 IV

Fig.	Ref.	Qty.	Descr.	Obs	From	UpTo
32	18512024	2	Pipe			
33	17410022	1	Flywheel Supplement			
34	52302258	2	Bolt DIN 933 W3/8-25 8.8			
35	52101319	2	Bolt DIN 931 M10-80 8.8			



17410250 Gearbox. ZF-45.1 SAE3 SAE11,5 , Kit

Fig.	Ref.	Qty.	Descr.	Obs	From	UpTo
1	14712015	2	Bolt,Coupling pipe oil			
2	14712151	1	Oil Cooler Assy, D.30			
3	14719115	1	Coupling,cable			
4	16510170	1	Flexible coupling type C SAE 11"1/2			
5	17112041	1	Bracket, ZF-25 Oil Cooler			
6	17511009	1	Hose			
7	18011026	1	Pipe			
8	18512024	2	Pipe			
9	24601910	1	Bracket, GearBox Control			
10	24623100.1	1	Bell SAE 3 For Gear Box ZF 25 MA (45-1)			
11	24810913	1	Clamp,CABLE			
12	51030005	2	Washer DIN 125-5			
14	51051107	1	Pin DIN-94 1,6-16			
15	52102309	12	Bolt DIN 933 M10-30 8.8			
16	52102310	6	Bolt DIN 933 M10-35 8.8			
17	52103258	8	Bolt DIN 912 M8-25 8.8			
18	53033010	8	Washer GROWER DIN 127-10			
19	53038008	8	Washer DIN 6798-A 8			
20	54082025	4	Clamp DIN 3017 25-40/12 W4			
21	59031017	4	Washer			
23	59072604	2	Clamp			
24	51030008	6	Washer DIN 125-8			
25	52102257	4	Bolt DIN 933 M8-20 8.8			
26	53033008	6	Washer GROWER DIN 127-8			
27	52120008	4	Nut DIN 934 M8 8.8			
NS	52302307	4	Bolt DIN 933 W7/16-20 8.8			
NS	53038010	12	Washer DIN 6798-A 10			
NS	53038012	4	Washer DIN 6798-A 12			

