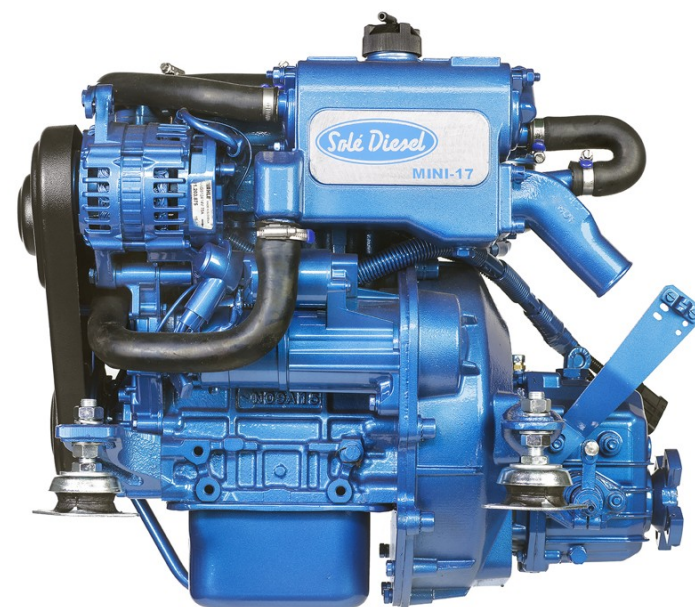




Engine MINI-17 v6

VERSION 2024-3

PART LIST



PARTS LIST CATALOGUE

NORMS TO PLACE AN ORDER

For fast and more efficient service, please specify the following information on spare parts orders that must be preferably done by e-mail as specified below:

- 1- Engine model: As shown in identification plate
- 2- Engine serial number: As shown in identification plate and stamped on crankcase
- 3- Item description + part number + quantity required

Spare parts requests must be addressed to :

orders@solediesel.com

Telf.: +34 93 775 44 05

The components shown in the catalog have:

- Figure: Number by which they are represented in scheme
- Description: Trade name of the component
- Quantity: Total number of parts used in the assembly of the part represented (may differ from the total minimum quantities)

Hoses, indicates the total length in meters

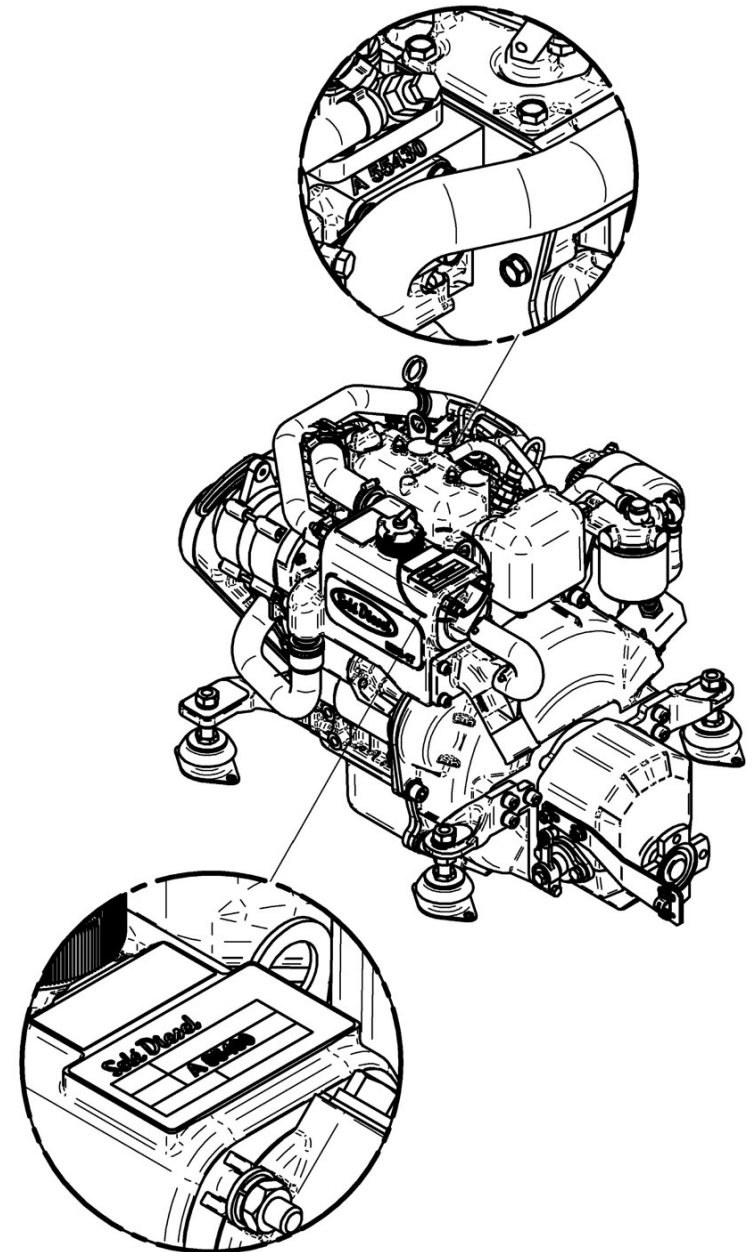
The diagrams shown in this catalog of spare parts, have only the purpose to identify the piece in question, its representation is not meaningful and may differ from the actual piece.

In case of doubt, contact Solé Diesel, or your authorized dealer.

The parts i / or references in this catalog are subject to change without notice.

SOLE, S.A.

C-243b, km, 2 - P.O. BOX 25
08760 Martorell (Barcelona) Spain



Index

Engine Body

- Cylinder Head
- Rocker Cover & Breather
- Valve Drive
- Timing Parts
- Gear Case
- Crankcase
- Rear Plate
- Piston & Connecting Rod
- Crankshaft & Flywheel
- Oil System
- Oil Pan
- Engine Brackets
- Belt Protection

Inlet & Exhaust

- Inlet

Cooling System

- Water Pump
- Cooler Pipes
- Water Cooler Assy MINI-17 v6
- Splined Pump 1/2" MINI-11/17/29/33/44
- Wet Exhaust

Fuel System

- Fuel Pipe
- Injection Nozzle
- Fuel Injection Pump
- Governor Parts
- Fuel Supply Parts

Electrical System

- Electrical Wiring
- Kit Alternator 14V/75A
- Starter Assy 12V
- SVT 20 MINI-17/29 Panel
- SVT 30 MINI-17/29 Panel
- Panel SSG 20 Spare Parts
- Panel SSG 30 Spare Parts
- Engine Extension

Maintenance Kit

- Kit Gasket
- Pipe Rubber Set, water line 6 V.
- Repair Kit Water Pump 1/2"
- Special Tools

- Sheet 1/2
- Sheet 2/2

Gearbox TMC-60A

- Sheet 1/2
- Sheet 2/2

Gearbox TMC-60P

- Sheet 1/2
- Sheet 2/2

SP60 S.Drive

- Sheet 1/4 SP60 S.Drive V1
- Sheet 2/4 SP60 S.Drive V1
- Sheet 3/4 SP60 S.Drive V1
- Sheet 4/4 SP60 S.Drive V1
- Sheet 1/4 SP60 S.Drive V2
- Sheet 2/4 SP60 S.Drive V2
- Sheet 3/4 SP60 S.Drive V2
- Sheet 4/4 SP60 S.Drive V2
- Maintenance Kit

GearBox ZF-15 MIV

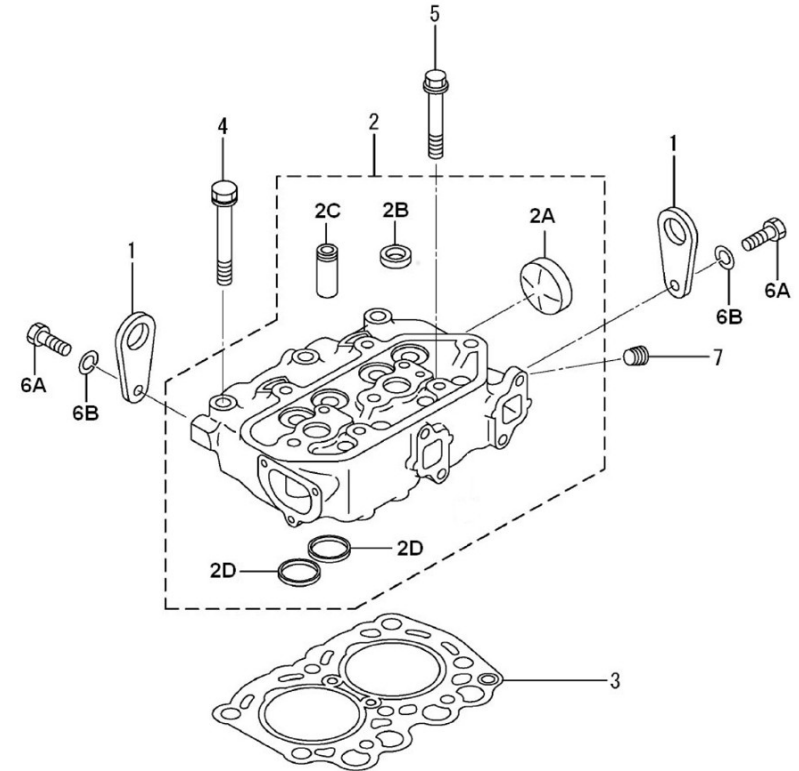
- Sheet 1/2
- Sheet 2/2

Kit Gearbox

- Kit GearBox TMC-40P v6
- Kit GearBox TMC-60
- Kit S-Drive TECHNO.SP60
- Kit GearBox ZF 15 MIV

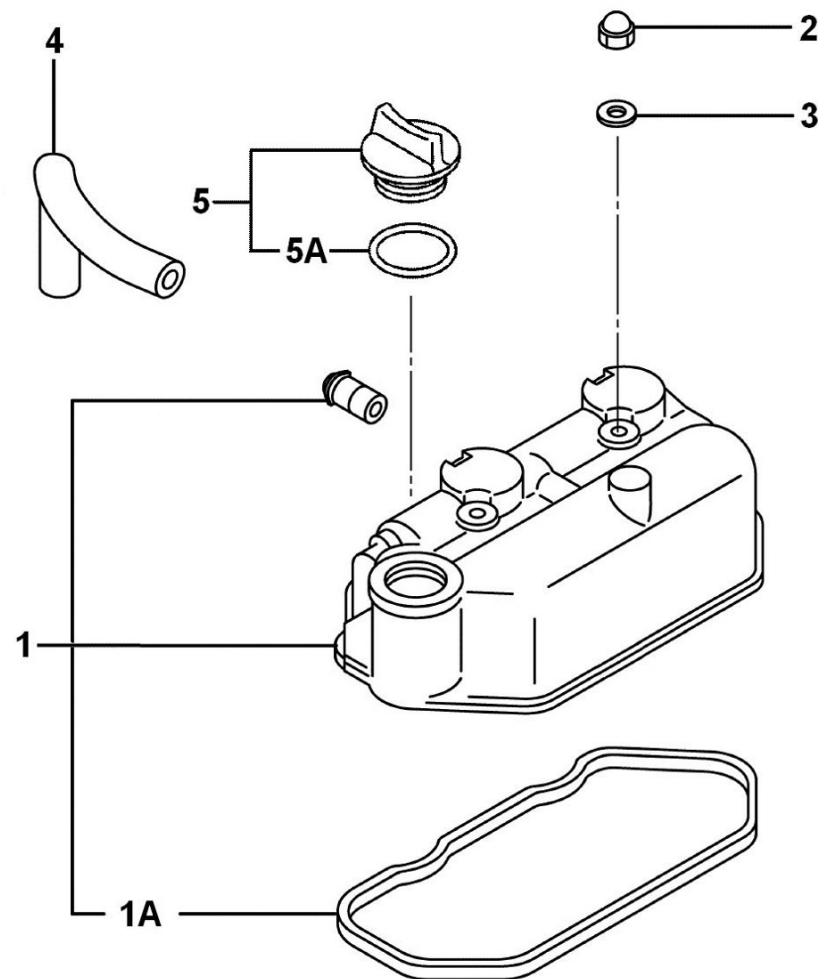
D_MIA2_1_1 Cylinder Head

Fig.	Ref.	Qty.	Descr.	Obs	From	UpTo
1	13821011.4	2	HANGER Engine			
2	13821001.4	1	Head Assy CYLINDER			
2A	13520013	1	Cap,SealING			
2B	13821012	2	Cap			
2C	17621002.4	4	Guide Valve			
2D	13921061G	2	Seat Valve (Intake)			
3	13821004	1	Gasket Cylinder Head			
4	13821005	6	Bolt,cylinder head			
5	13821013	2	Bolt,cylinder head			
6A	52102256	2	Bolt DIN 933 M8-16 8.8			
6B	53033008	2	Washer GROWER DIN 127-8			
7	17621011.4	1	Plug TAPER			



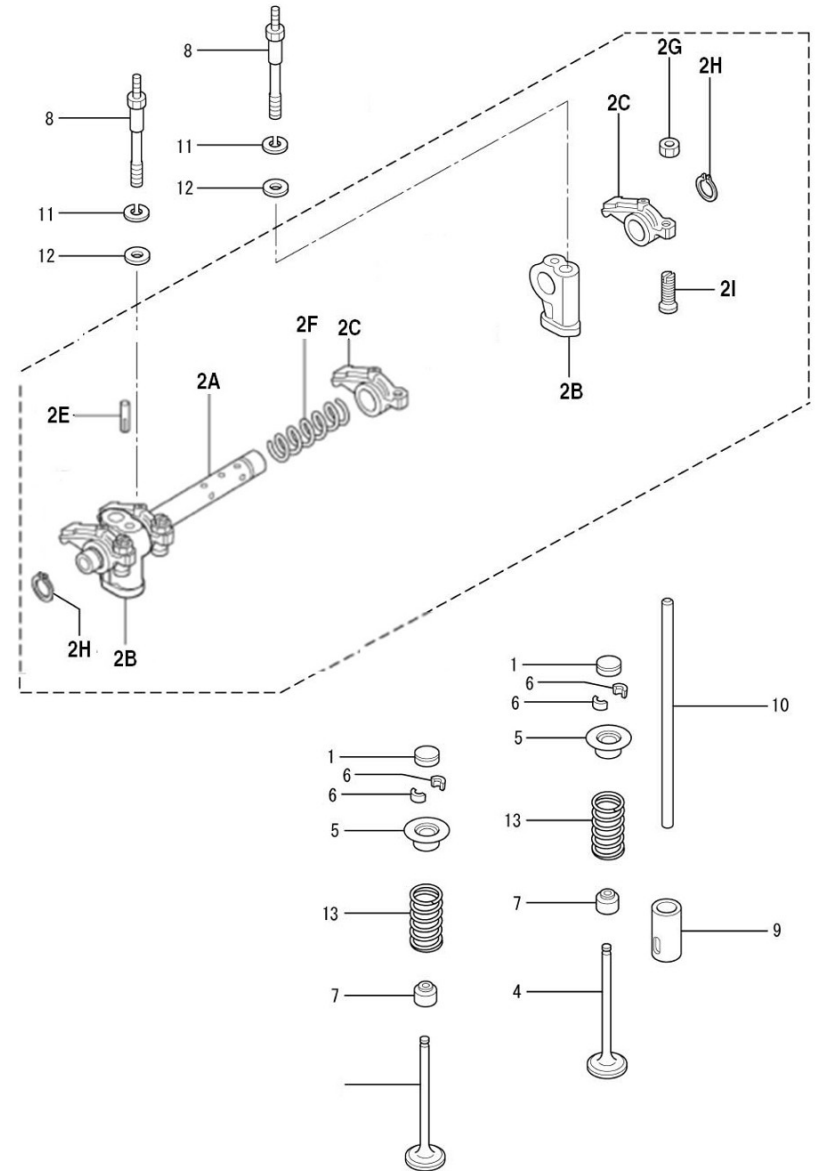
D_MIA2_1_2 Rocker Cover & Breather

Fig.	Ref.	Qty.	Descr.	Obs	From	UpTo
1	13821008.4	1	Cover,Rocker			
1A	13821010	1	Gasket Rocker Cover			
2	13821018	2	Nut			
3	51030006	2	Washer DIN 125-6			
4	13821006	1	Hose BREATHER			
5	17621003.5	1	Cap Oil FILLER			
5A	13721007	1	O-Ring D. 30X3			



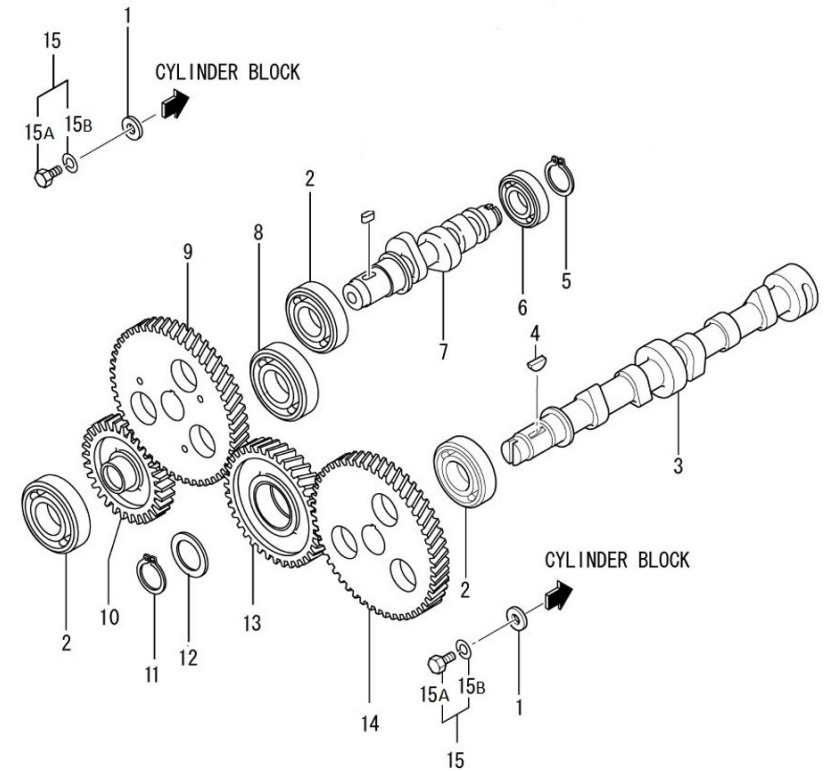
D_MIA1_1_3 **Valve Drive**

Fig.	Ref.	Qty.	Descr.	Obs	From	UpTo
1	13822069	4	Cap Stem			
2A	13822046.4	1	Shaft Assy,Rocker			
2B	13822048.4	2	STAY Rocker			
2C	13822042	4	ARM Rocker			
2E	17622070.4	1	Pin GROOVED			
2F	17622047.4	1	Spring Rocker SHAFT			
2G	52120006	4	Nut DIN 934 M6 8.8			
2H	53040012	2	CIRclip DIN 471 E-12			
2I	13822044	4	Screw Adjusting			
3	13822055	2	Intake Valve			
4	13822056	2	Exhaust Valve			
5	13822058	4	Retainer Valve SP			
6	13222059	8	Lock Valve			
7	13222054	4	Seal Valve Stem			
8	13822053	2	Bolt Rocker STAY			
9	13822061	4	Tappet			
10	13822041	4	ROD PUSH			
11	52101265	2	Bolt DIN 931 M8-60 8.8			
12	53033008	2	Washer GROWER DIN 127-8			
13	13822057.1	4	Spring,Valve			

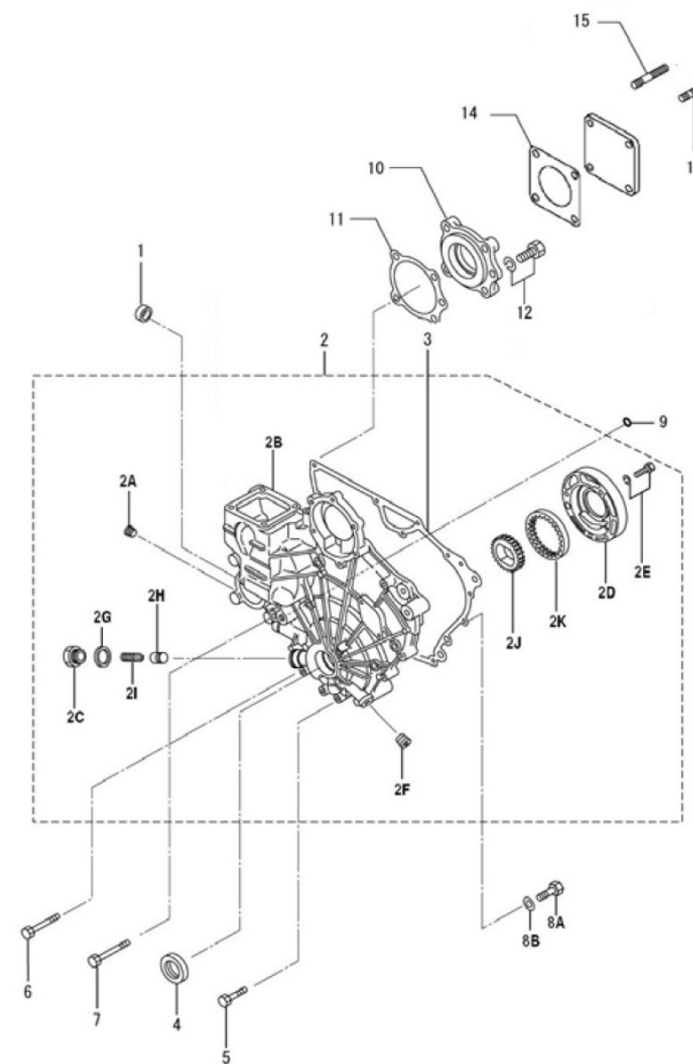


D_MIA2_1_4 Timing Parts

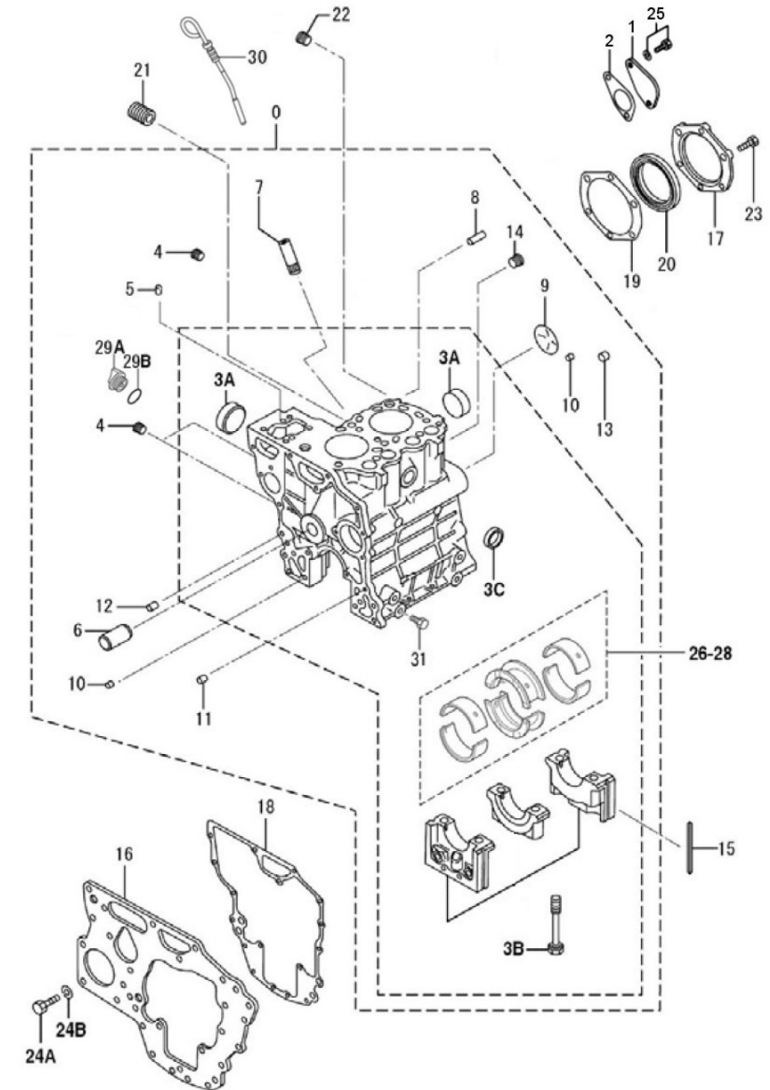
Fig.	Ref.	Qty.	Descr.	Obs	From	UpTo
1	13822033	2	Washer CamShaft Stop			
2	17622067.4	3	Bearing Ball			
3	13822035.4	1	CamShaft			
4	17622036.4	1	KEY			
5	53040016	1	CIRClip DIN 471 E-16			
6	17622068.4	1	Bearing Ball			
7	13822040	1	Shaft Fuel Injection Pump			
8	13822066	1	Ball Bearing 6005-C3			
9	13822043.4	1	Gear,Fuel INJ.Pump Z=52			
10	13922065G	1	Gear Oil Pump			
11	53040020	1	CIRClip DIN 471 E-20			
12	17622034.4	1	Plate DISTANCE			
13	17622038.4	1	Gear Assy,IDLER Z=40			
14	17622043.4	1	Gear,Fuel INJ.Pump Z=52			
15A	52102155	2	Bolt DIN 933 M6-12 8.8			
15B	53033006	2	Washer GROWER DIN 127-6			



D_MIA3_1_5		Gear Case				
Fig.	Ref.	Qty.	Descr.	Obs	From	UpTo
1	13820045	1	Cap Sealing (20)			
2	13820035.4	1	Case Gear			
2A	17621011.4	1	Plug TAPER			
2B	17620035.4	1	Case Gear			
2C	13224045	1	Plug			
2D	17620052.4	1	Housing Oil Pump			
2E	17221043	3	Bolt,W/Washer			
2F	13820013.4	1	Plug			
2G	56000077	1	Washer 18-23-1,5			
2H	13224043	1	Plunger			
2I	13824044	1	Spring RELIEF			
2J	13820050	1	Gear Oil Pump INN			
2K	13820051	1	Gear Oil Pump OUT			
3	13820040	1	Gasket Gear Case			
4	13820039	1	Oil Seal			
5	52102160	3	Bolt DIN 933 M6-35 8.8			
6	52102164	4	Bolt DIN 933 M6-55 8.8			
7	52102166	1	Bolt DIN 933 M6-65 8.8 CINCADO			
8	52102156	4	Bolt DIN 933 M6-16 8.8			
9	13820044	2	O-Ring D. 11X2,5			
10	13820037	1	Housing Pump Gear			
11	13820038	1	Gasket Housing			
12	17122051	1	Bolt, w/washer			
13	13220043	1	Stud L 34			
14	13120047	1	Gasket Water Pump			
15	13220042	1	Stud L 54			

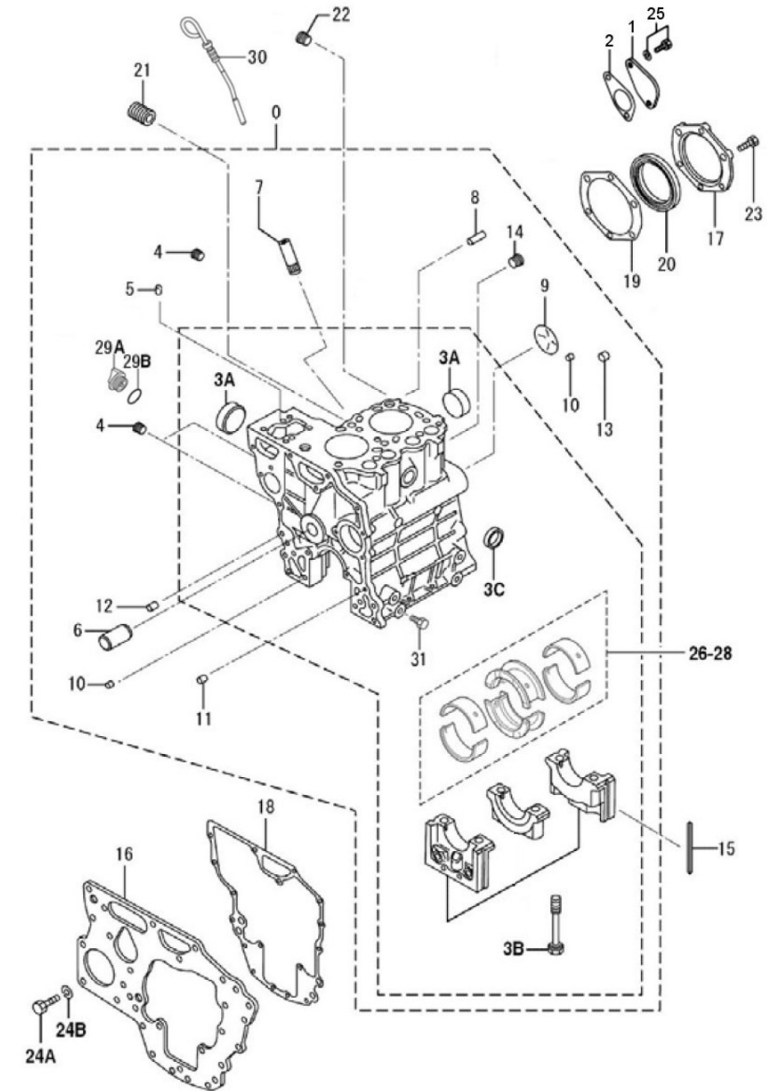


D_MIA3_1_6		Crankcase			
Fig.	Ref.	Qty.	Descr.	Obs	From UpTo
0	13820020	1	Block Assy Cylinder		
1	13820011	1	Cover		
2	17620012.4	1	Gasket Cover		
3A	13520013	2	Cap,Sealing		
3B	13820009.1	6	Bolt Bearing Cap		
3C	13220012	1	Cap Sealing		
4	17620013.4	3	Plug Taper 1/16		
5	17620036.4	2	Pin Dowel		
6	17620014.4	1	Shaft IDLER		
7	17620007.4	1	Guide		
8	17620020.4	1	Pin		
9	13820013	1	Plug Expansion		
10	17620009.4	2	Bushing		
11	17620021.4	1	Bushing		
12	17620022.4	2	BUSHING,KNOCK		
13	17620010.4	3	Bushing		
14	17620023.4	1	Plug TAPER		
15	13820002	4	Seal Side		
16	13820017	1	Plate, Front		
17	13822060.4	1	Case, Oil Seal		
18	13820018	1	Gasket Front Plate		
19	13820016	1	Gasket Oil Seal C		
20	13820008	1	Seal Oil		
21	17624047.4	1	Shaft Oil Filter		
22	17620024.4	1	Plug TAPER		
23	52102157	6	Bolt DIN 933 M6-20 8.8		
24A	52102156	7	Bolt DIN 933 M6-16 8.8		
24B	53033006	7	Washer GROWER DIN 127-6		
25	52102257	2	Bolt DIN 933 M8-20 8.8		
26	13820003	1	Bearing Set CRANK STD		
27	13820004	1	Bearing Set CRANK		



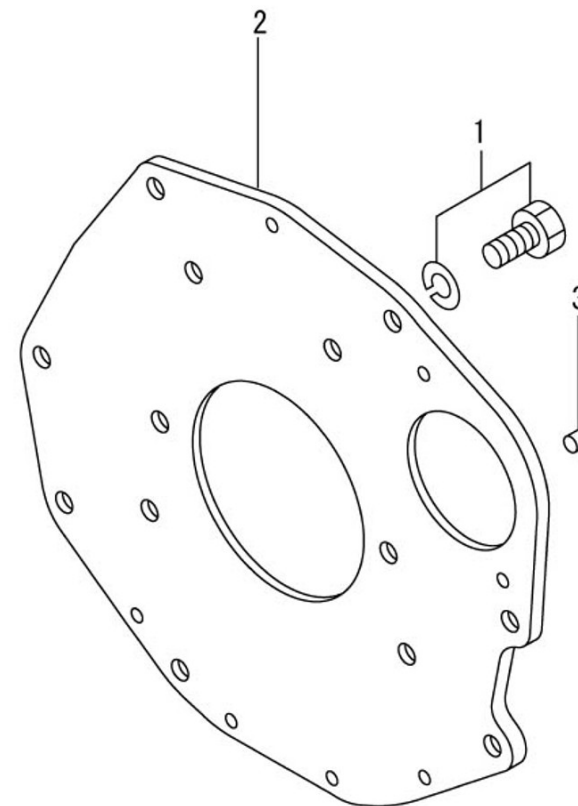
D_MIA3_1_6 **Crankcase**

Fig.	Ref.	Qty.	Descr.	Obs	From	UpTo
28	13820005	1	Bearing Set CRANK			
	29A 17621003.5	1	Cap Oil FILLER			
	29B 13721007	1	O-Ring D. 30X3			
30	13820129R	1	Gauge Oil LEVEL			
31	13823045	4	Bolt			



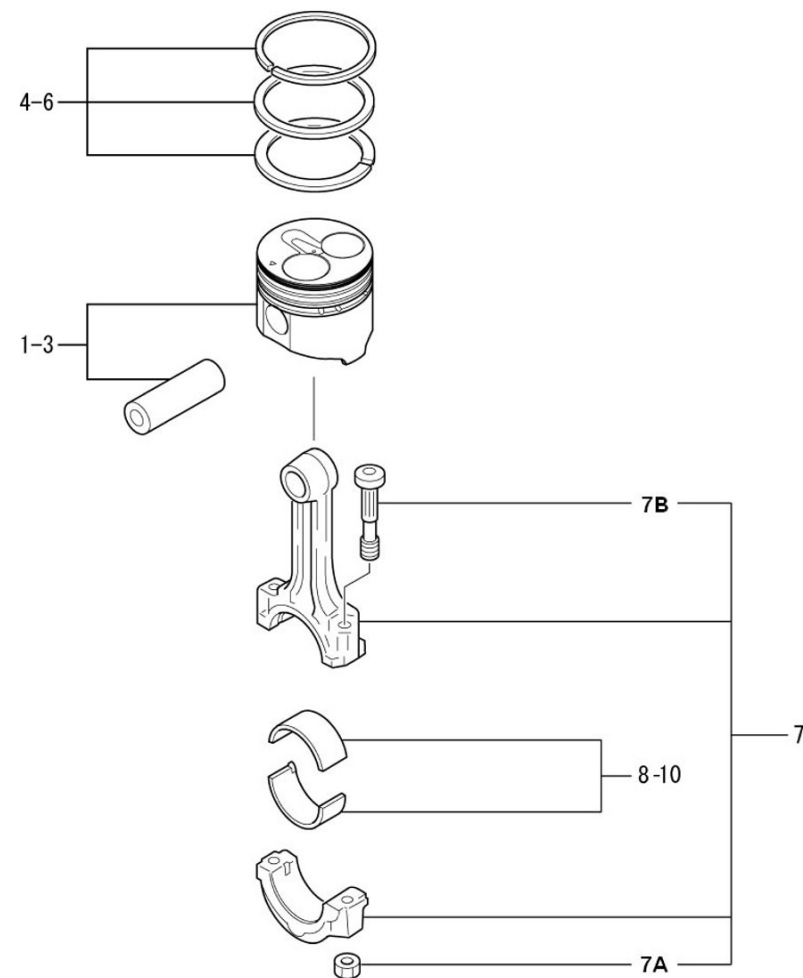
D_MIB1_1_7 Rear Plate

Fig.	Ref.	Qty.	Descr.	Obs	From	UpTo
1	17120062	6	Bolt,w/washer			
2	13820024	1	Plate REAR			
3	13520060	1	Pin KNOCK (8X10)			



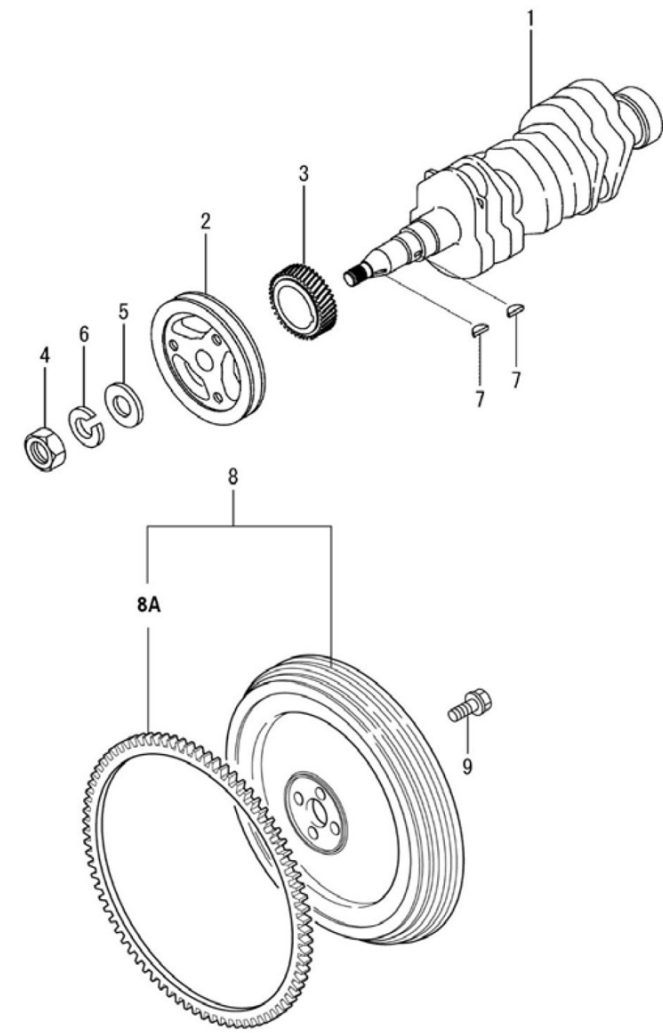
D_MIA1_1_8 Piston & Connecting Rod

Fig.	Ref.	Qty.	Descr.	Obs	From	UpTo
1	13822001.1	2	Piston & Pin Set STD.			
2	13822002.2	0	PISTON & Pin SET O.S. 0.25	#		
3	13822003.1	0	Piston & Pin Set O.S. 0.50	#		
4	13822006	2	Ring Set,Piston STD.			
5	13822007	0	Ring Set,Piston O.S. 0.25	#		
6	13822008	0	Ring Set,Piston O.S. 0.50	#		
7	17622012.4	2	ROD Assy			
7A	13222011	4	Nut,connecting rod			
7B	13222013	4	Bolt,connecting rod			
8	13822014	2	Bearing Set,CON-ROD STD.			
9	13822015	0	Bearing Set,Con-Rod U.S. 0.25	#		
10	13822016	0	Bearing Set,Con-Rod U.S. 0.50	#		



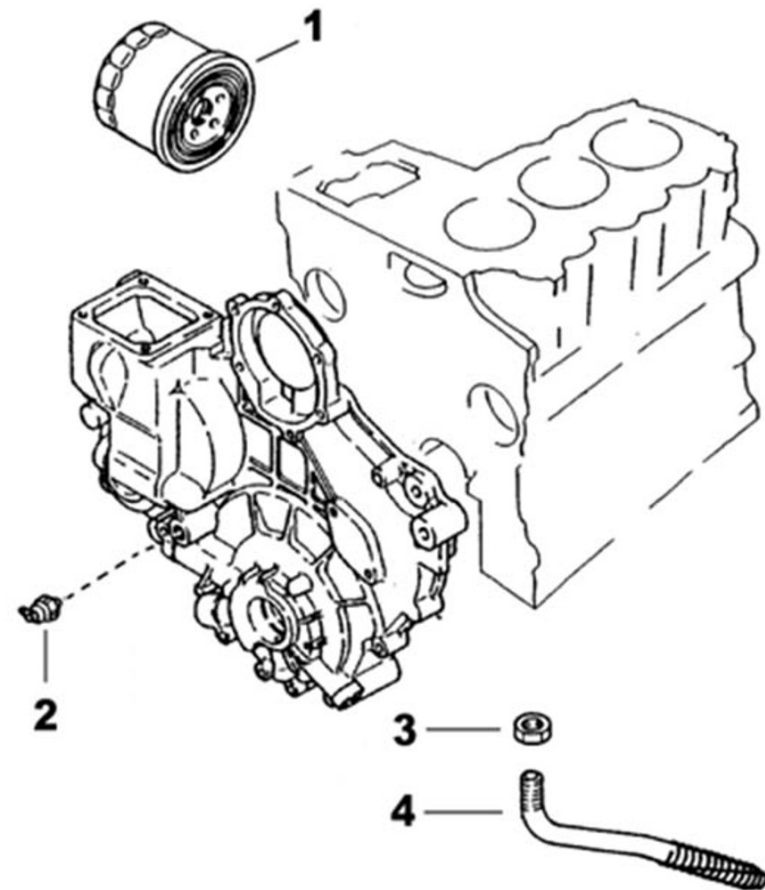
D_MIA2_1_9 Crankshaft & Flywheel

Fig.	Ref.	Qty.	Descr.	Obs	From	UpTo
1	13822018	1	CrankShaft			
2	13822024	1	Pulley CrankShaft			
3	17622021.4	1	Gear CrankShaft Z=26			
4	13822026	1	Nut			
5	51030016	1	Washer DIN 125-16			
6	53033016C	1	Washer			
7	17622036.4	2	KEY			
8	13822027.4	1	Flywheel Assy			
8A	17622029.4	1	Gear Ring Z=106			
9	13822031.4	4	Bolt Flywheel			



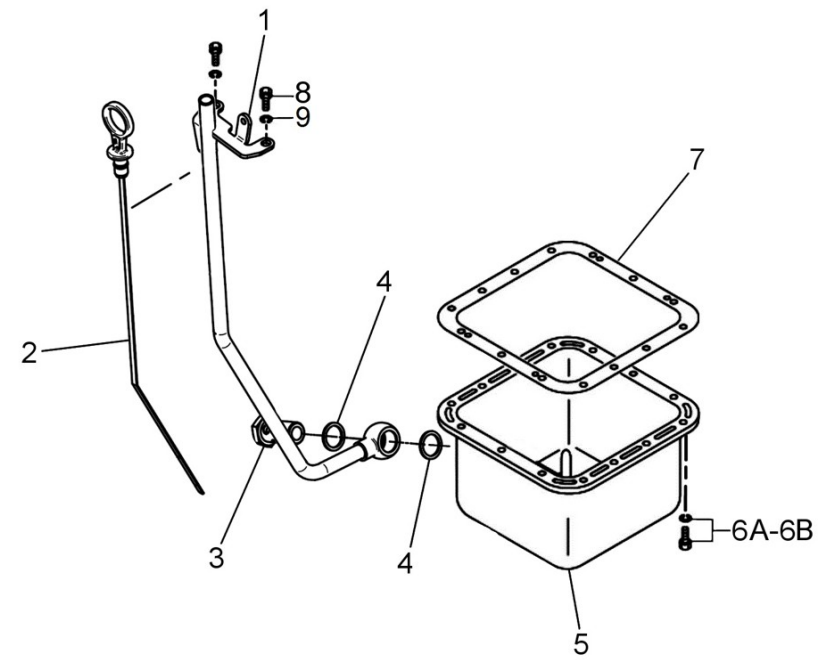
D_MIB1_1_10 Oil System

Fig.	Ref.	Qty.	Descr.	Obs	From	UpTo
1	13124051	1	Oil Filter Element from MINI 11 to 55			
2	13824060	1	SWITCH Assy			
3	51221014	1	Nut DIN 936 M14X1,5 5.6 ZINC			
4	13824052	1	SCREEN Assy Oil			



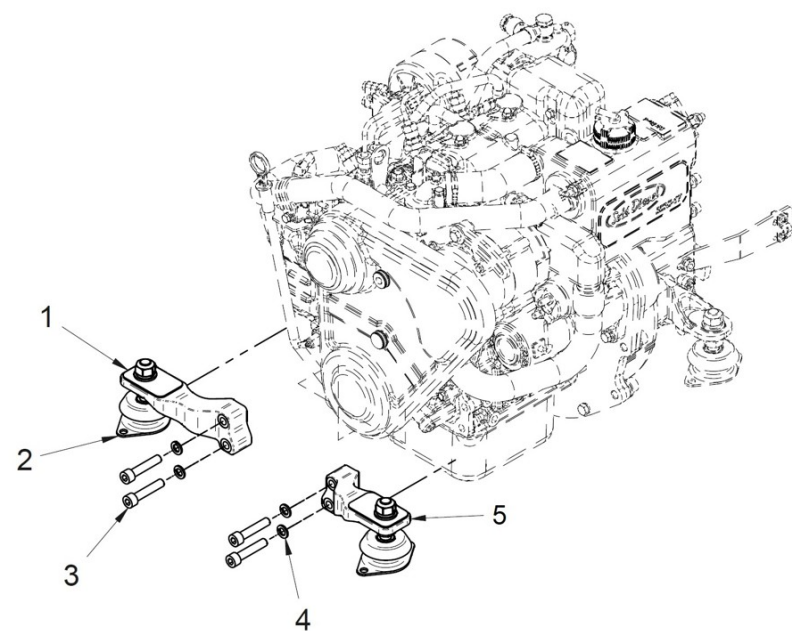
D_MIA3_1_11 Oil Pan

Fig.	Ref.	Qty.	Descr.	Obs	From	UpTo
1	13812030	1	Tube Oil Gauge			
2	13812029	1	Oil Dipstick			
3	16514022	1	Coupling,screw 18x150			
4	56000077	2	Washer 18-23-1,5			
5	13820030.4	1	PAN Assy Oil			
6A	52102155	14	Bolt DIN 933 M6-12 8.8			
6B	53033006	14	Washer GROWER DIN 127-6			
7	13820033.4	1	Gasket Oil PAN			
8	52102157	2	Bolt DIN 933 M6-20 8.8			
9	51030006	2	Washer DIN 125-6			



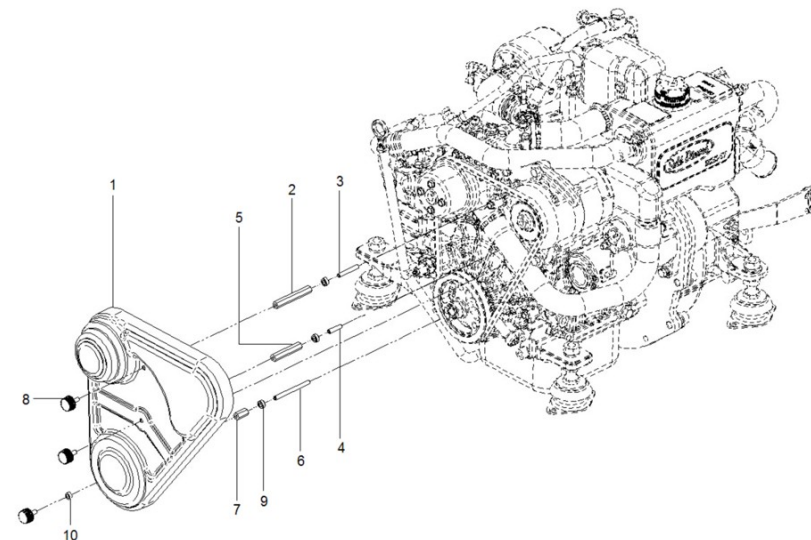
D_MIA3_1_12 Engine Brackets

Fig.	Ref.	Qty.	Descr.	Obs	From	UpTo
1	13810065	1	Left Front Bracket			
2	61638000	4	Engine Mount Type G 70 Kg M14 H 100			01/07/2020
2	61638005	4	Engine Mount Type G M14 H 34		01/07/2020	
3	52203308	4	Bolt DIN 912 M10-1,25-25 12.9 Blued		20/03/2023	
3	52203313	4	Bolt DIN 912 M10-1,25-50 12.9			20/03/2023
4	53033010	4	Washer GROWER DIN 127-10			
5	13810066	1	Right Front Bracket			

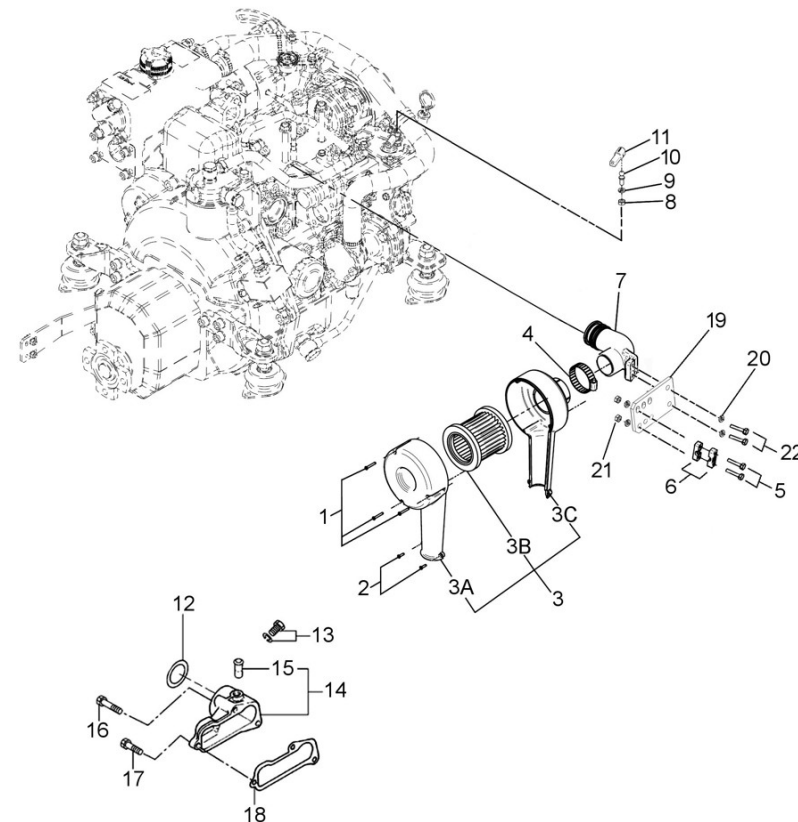


D_MIA3_1_15 Belt Protection

Fig.	Ref.	Qty.	Descr.	Obs	From	UpTo
1	13810064	1	Belt Protection			
2	13810075	1	Spacer			
3	52111161	1	ROD DIN 913 M6-40 8.8			
4	52111158	1	ROD DIN 913 M6-25 8.8			
5	13810076	1	Spacer			
6	52111167	1	Rod DIN 913 M6-70 8.8			
7	13810077	1	Spacer			
8	13810247	3	Grip Knob M6			
9	17617006	3	Spacer 6,5X12X5			
10	13810078	1	Spacer 6.2x10x5			12/05/2022

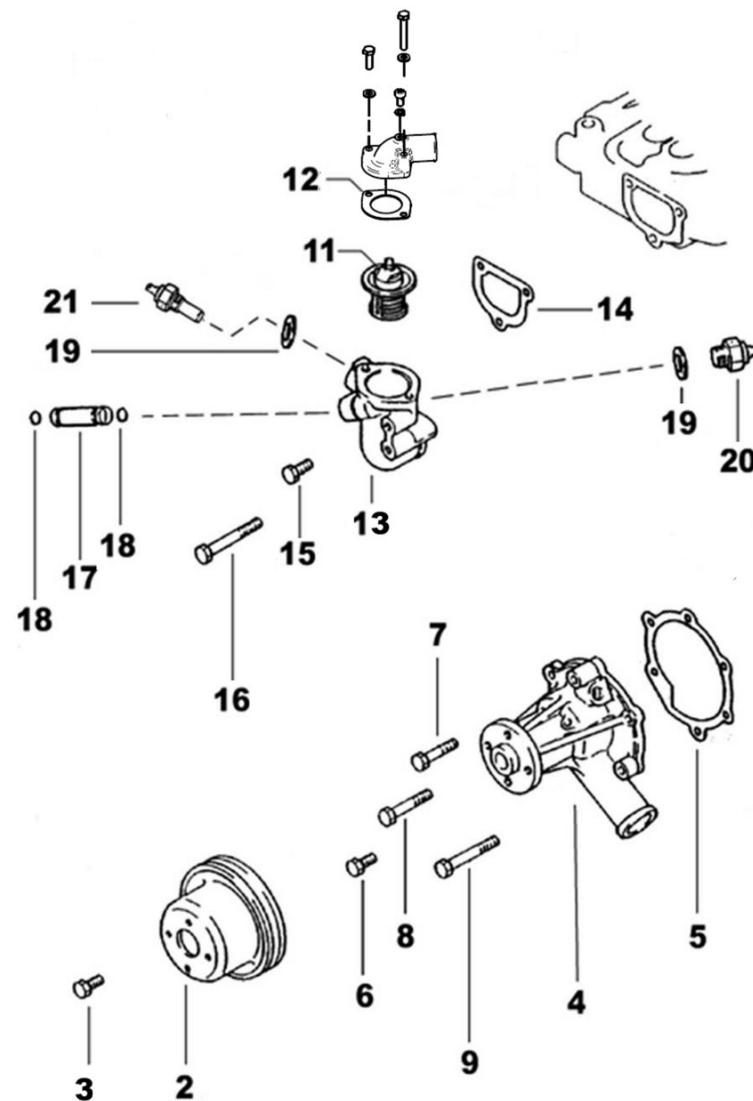


D_MIA3_2_1		Inlet				
Fig.	Ref.	Qty.	Descr.	Obs	From	UpTo
1	5491A007	3	Bolt PT 3x20 WN1412			
2	5491A004	2	Bolt PT 3x10 WN1413			
3	13810074	1	Air Filter			
3A	13810072	1	Air Filter			
3B	13810073	1	Filter Element (Air Filter)			
3C	13810071	1	Air Filter			
4	54082032	1	Clamp DIN 3017 32-50/12 W4			
5	52102108	2	Bolt DIN 933 M5-20 8.8 CINCADO		09/11/2022	
5	54102109	2	Bolt DIN 933 M5-25 INOX.			09/11/2022
6	13819001	2	Half Flange Morse Cable			
7	13810057	1	Pipe Sub Assy,Intake			
8	52120006	1	Nut DIN 934 M6 8.8			
9	53033006	1	Washer GROWER DIN 127-6			
10	14419023	1	Ball JOINT			
11	15119015	1	CABLE Holder Ball			
12	13821042	1	O-Ring D. 40X3,5			
13A	52102155	1	Bolt DIN 933 M6-12 8.8			
13B	53038006	1	Washer DIN 6798-A 6			
14	13821030	1	Cover Assy Intake			
15	17621017	1	Pipe			
16	52102162	2	Bolt DIN 933 M6-45 8.8			
17	52102157	1	Bolt DIN 933 M6-20 8.8			
18	13821032.4	1	Gasket Intake COV			
18	13821043	1	Gasket Intake COV			
19	17610030	1	Bracket		18/04/2018	
20	51030005	2	Washer DIN 125-5		18/04/2018	
21	52120005	2	Nut DIN 934 M5 8.8		18/04/2018	09/11/2022
22	52102104	2	Bolt DIN 933 M5-10 8.8		18/04/2018	



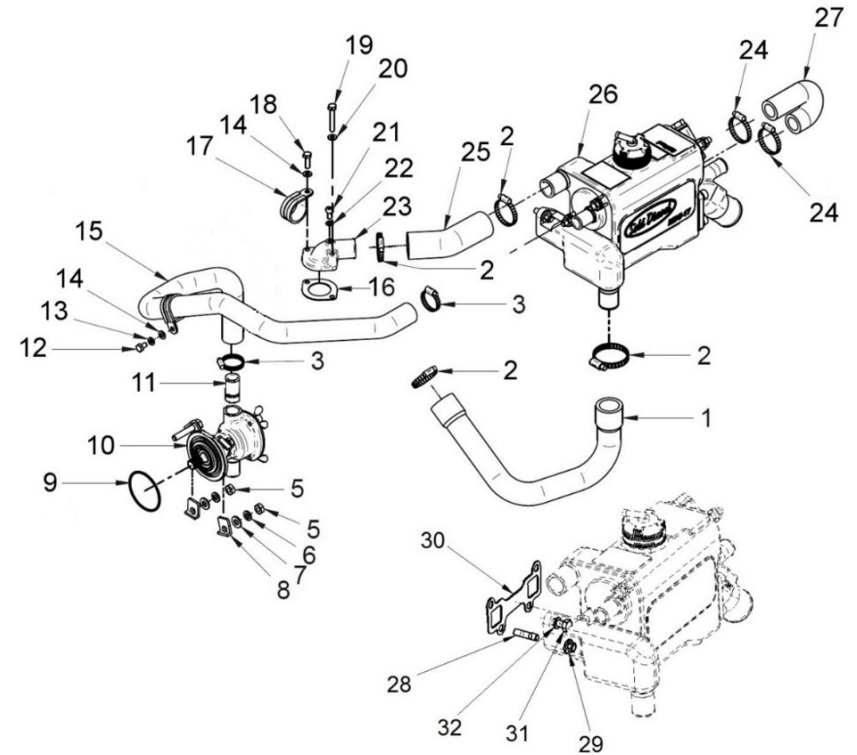
D_MIA3_3_1 Water Pump

Fig.	Ref.	Qty.	Descr.	Obs	From	UpTo
2	13921021	1	Pulley Water Pump			
3	52102155	4	Bolt DIN 933 M6-12 8.8			
4	13821020	1	Fresh Water Pump			
5	13821022	1	Gasket Water Pump			
6	52102157	2	Bolt DIN 933 M6-20 8.8			
7	52102160	1	Bolt DIN 933 M6-35 8.8			
8	52101162	1	Bolt DIN 931 M6-45 8.8			
9	52102164	2	Bolt DIN 933 M6-55 8.8			
11	13821041	1	Thermostat 71°			
12	13821031	1	Gasket Water OutL			
13	13821037.1	1	FITTING Thermostat New			
14	13821033	1	Gasket Thermostat			
15	52102158	2	Bolt DIN 933 M6-25 8.8			
16	52101165	1	Bolt DIN 931 M6-60 8.8			
17	17621026.4	1	Pipe BYPASS			
18	13821038	2	O-Ring D. 9X2			
19	56000073	2	Copper Washer 16-23-1,5			
20	60900070	1	Thermo-Switch 97°C			
21	60900980	1	Temperature Sensor			



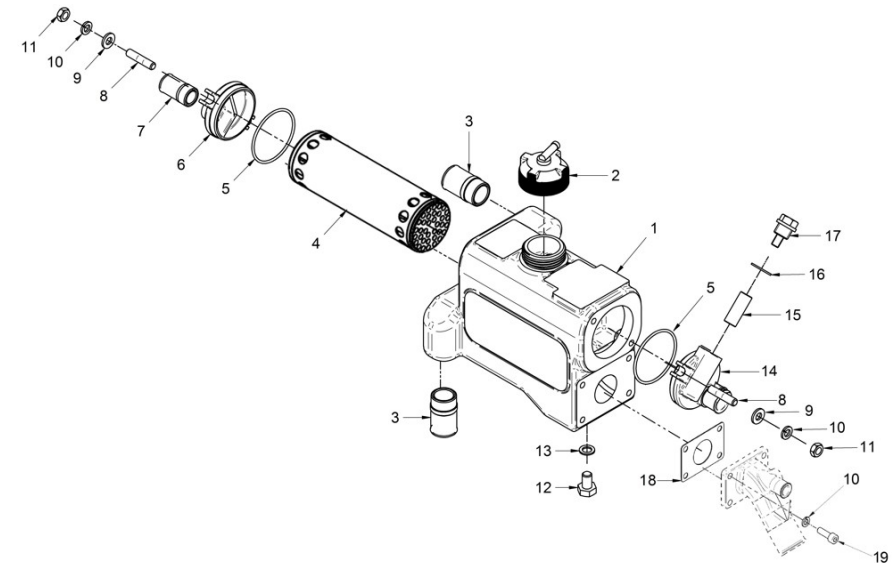
D_MIA3_3_2 Cooler Pipes

Fig.	Ref.	Qty.	Descr.	Obs	From	UpTo
1	13811030	1	Sleeve Rubber			
2	54081025	4	Clamp DIN 3017 25-40/9 W4			
3	54081016	2	Clamp DIN 3017 16-27/9 W4			
5	52120008	4	Nut DIN 934 M8 8.8			
6	53033008	4	Washer GROWER DIN 127-8			
7	51030008	4	Washer DIN 125-8			
8	13811062	4	Pump Bracket			
9	17011007	1	O-Ring D. 57X3			
10	37611000	1	Splined Pump 1/2" MINI-11/17/29/33/44			
11	13811033	2	Raccord 1/2"			
12	52102155	1	Bolt DIN 933 M6-12 8.8			
13	53033006	1	Washer GROWER DIN 127-6			
14	51030006	2	Washer DIN 125-6			
15	13811028	1	Sleeve Rubber			
16	13821031	1	Gasket Water OutL			
17	59071304	2	Clamp RSGU 1 30/15 W1			
18	52102157	1	Bolt DIN 933 M6-20 8.8			
19	52102161	1	Bolt DIN 933 M6-40 8.8			
20	53038006	1	Washer DIN 6798-A 6			
21	13811035	1	Bolt,bleed			
22	56000053	1	Washer 6-10-1,5			
23	13811031	1	Cover			
24	54081020	2	Clamp DIN 3017 20-32/9 W4			
25	13811029	1	Sleeve Rubber			
26	13811036R	1	Water Cooler Assy MINI-17 v6			
27	13811032	1	Elbow			
28	14711008	2	Stud,cover			
29	51125008	2	Nut Exhaust			
30	13821035	1	Gasket Exhaust Manifold			
31	52102257	2	Bolt DIN 933 M8-20 8.8			
32	53038008	2	Washer DIN 6798-A 8			



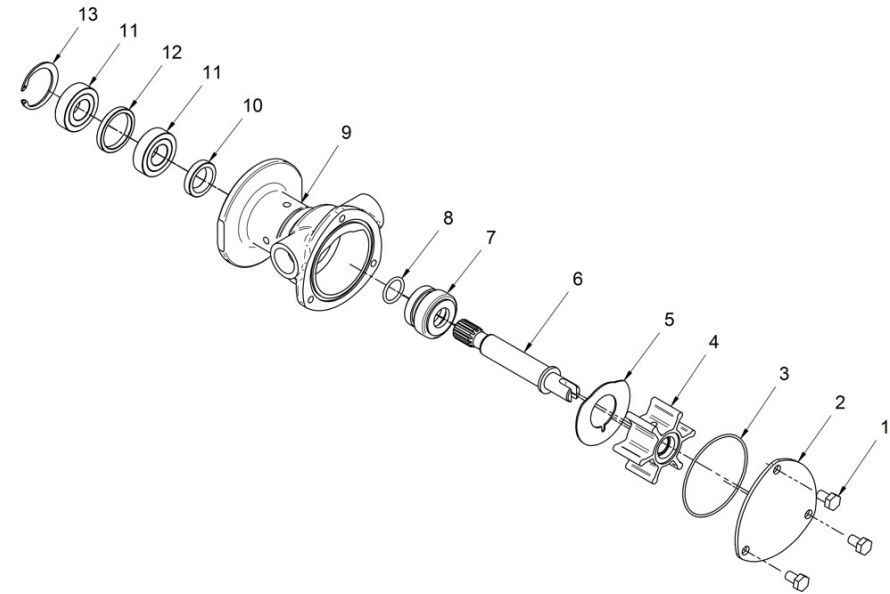
D_13811036R Water Cooler Assy MINI-17 v6

Fig.	Ref.	Qty.	Descr.	Obs	From	UpTo
1	13811037	1	Body, Water Cooler MINI-17 v6			
2	13811010	1	Cap			
3	13811034	2	Raccord 3/4"			
4	13811039	1	Tubular Bundle			
5	13811007	2	O-Ring D. 57X2,5			
6	13811002	1	Water Cooler Cover			
7	13811033	1	Raccord 1/2"			
8	13311006	4	Stud,cover			
9	51030008	4	Washer DIN 125-8			
10	53033008	8	Washer GROWER DIN 127-8			
11	54120008	4	Nut DIN 934 M8			
12	54102306	1	Bolt DIN 933 M10-16 INOX.			
13	56000061	1	Washer 10-16-1,5			
14	13811042	1	Water Cooler Cover			
15	13811043	1	Engine Anode 29.5 mm M.8			
16	56000073	1	Copper Washer 16-23-1,5			
17	18011009	1	Anode Plug			
18	17613014	1	Gasket			
19	52103257	4	Bolt DIN 912 M8-20 8.8			
NS	13811040	1	MINI-17 Cooler Adhesive			



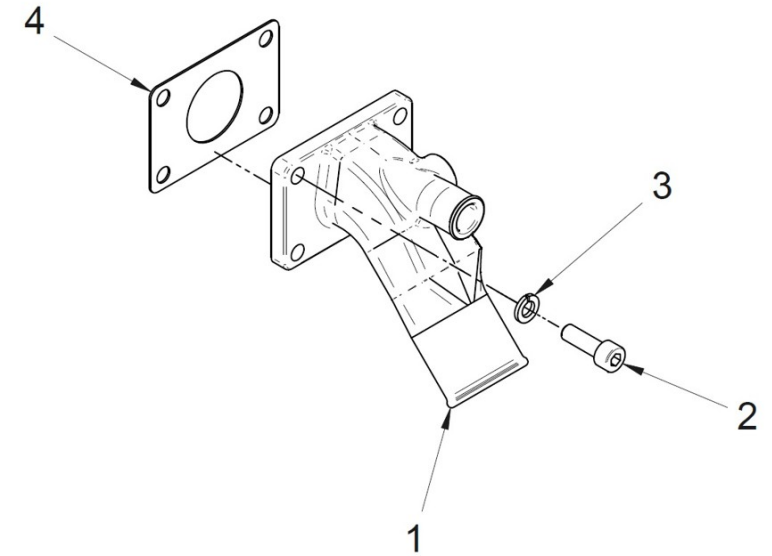
37611000 Splined Pump 1/2" MINI-11/17/29/33/44

Fig.	Ref.	Qty.	Descr.	Obs	From	UpTo
1	54102154	3	Bolt DIN 933 M6-10 INOX			
2	37611002	1	Cover Pump			
3	37611003	1	O-Ring D. 57x1,5			01/06/2022
4	31211008	1	1/2" Impeller			
5	37611026	1	Plate, Friction			
6	33811010	1	Shaft,Water Pump			
7	33411019	1	Seal			
8	33311013	1	O-Ring D. 15X2			
9	37611001	1	Body, Water Pump 1/2"			
10	33411020	1	Seal			
11	33411014	2	Ball Bearing 6002-C3			
12	33811015	1	Spacer			
13	53041032	1	CIRClip DIN 472 I-32			

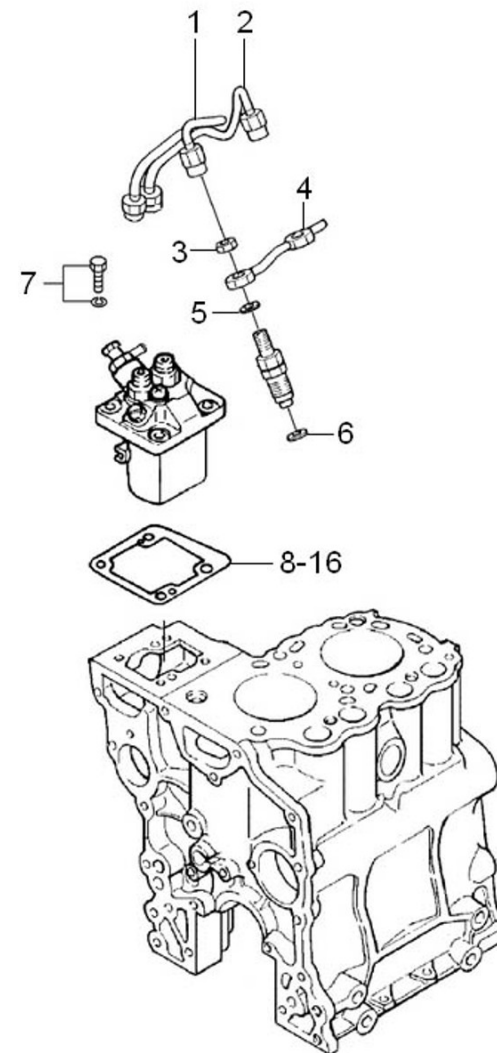


D_MIA3_3_5 Wet Exhaust

Fig.	Ref.	Qty.	Descr.	Obs	From	UpTo
1	13813026.1	1	Elbow,WET Exhaust			
2	52103257	4	Bolt DIN 912 M8-20 8.8			
3	53033008	4	Washer GROWER DIN 127-8			
4	17613014	1	Gasket			

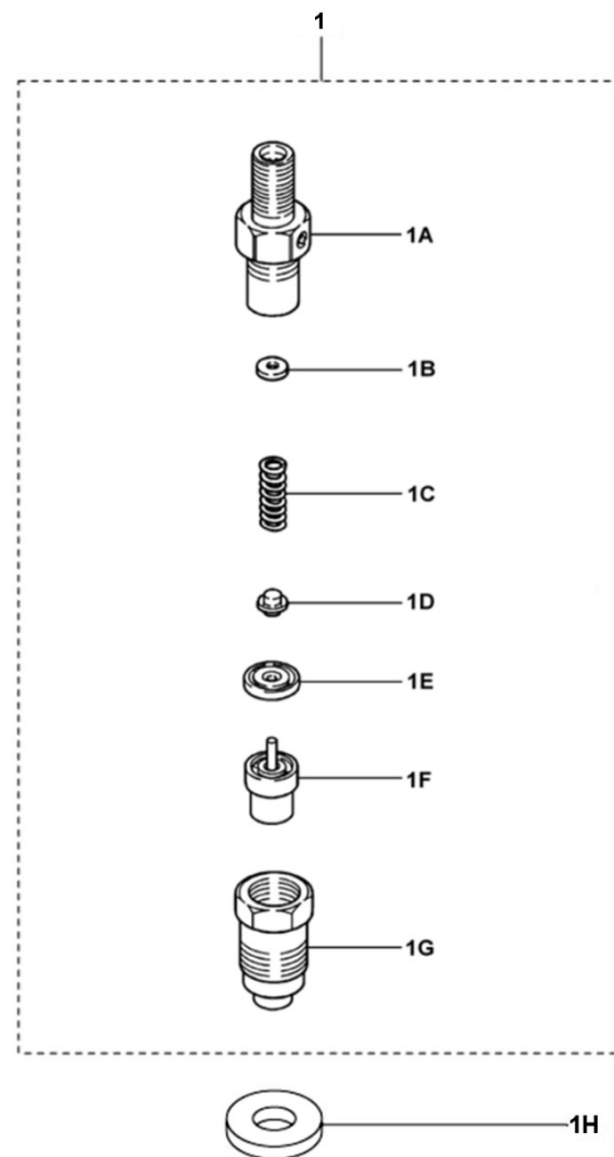


D_MIA1_4_1		Fuel Pipe				
Fig.	Ref.	Qty.	Descr.	Obs	From	UpTo
1	17624015.4	1	Pipe Injection N.1			
2	13824016.2	1	Pipe Injection N.2			
3	13824024.4	2	Nut			
4	13824026	1	Tube gasoil SPILL			
5	17424025G.1	2	Gasket Fuel Return (Genset)			
6	13824013	2	Injector Washer			
7	17624027	4	Bolt			
8	13824005	0	Shim Adjusting T=0,5MM.	#		
9	13824006	0	Shim Adjusting T=0,4MM.	#		
10	13824007	0	Shim Adjusting T=0,6MM.	#		
11	13824008	0	Shim Adjusting T=0,7MM.	#		
12	13824009	0	Shim Adjusting T=0,8MM.	#		
13	13824010	0	Shim Adjusting T=0,9MM.	#		
14	13824011	0	Shim Adjusting T=1,0MM.	#		
15	13824003	0	Shim Adjusting T=0,2MM.	#		
16	13824004	0	Shim Adjusting T=0,3MM.	#		



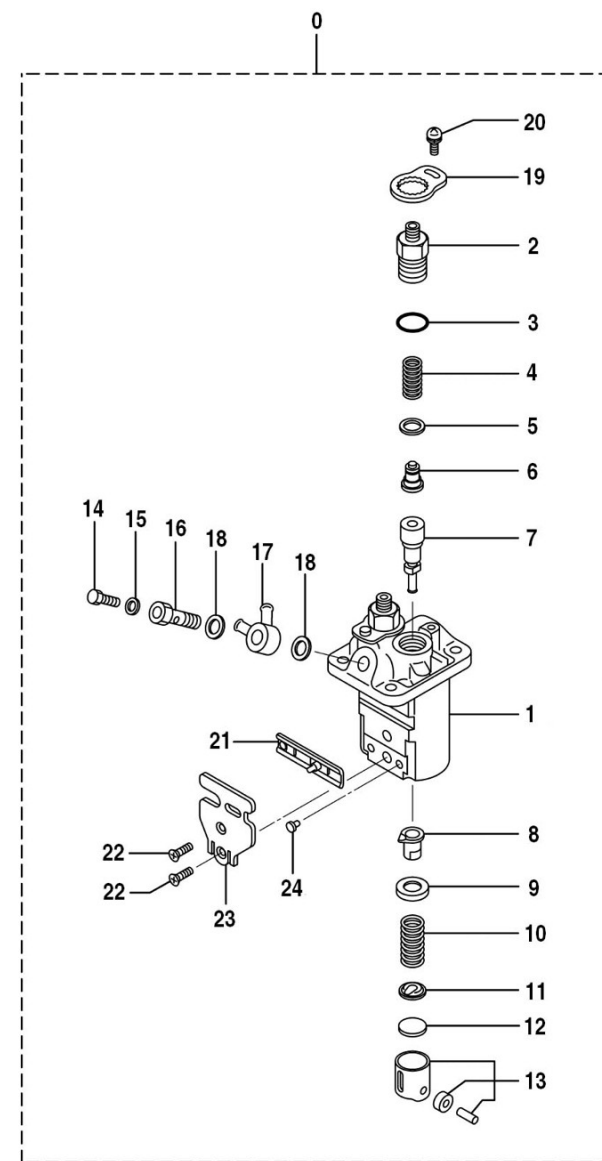
D_MIA2_4_2 Injection Nozzle

Fig.	Ref.	Qty.	Descr.	Obs	From	UpTo
1	13826001	2	Nozzle & Holder A			
1A	13826002	2	Body Assy			
1BA	13826010	0	Washer 1,25	#		
1BB	13826011	0	Washer 1,30	#		
1BC	13826012	0	Washer 1,35	#		
1BD	13826013	0	Washer 1,40	#		
1BE	13826014	0	Washer 1,45	#		
1BF	13826015	0	Washer 1,50	#		
1BG	13826016	0	Washer 1,55	#		
1BH	13826017	0	Washer 1,60	#		
1BI	13826019	0	Washer 1,65	#		
1BJ	13826020	0	Washer 1,70	#		
1C	17126004	2	Spring, pressure			
1D	13826003	2	Pin Pressure			
1E	13826007	2	PIECE DISTANCE			
1F	17626018	2	Nozzle Assy			
1G	17226006	2	Nut, Nozzle RETAINING			
1H	13824013	2	Injector Washer			



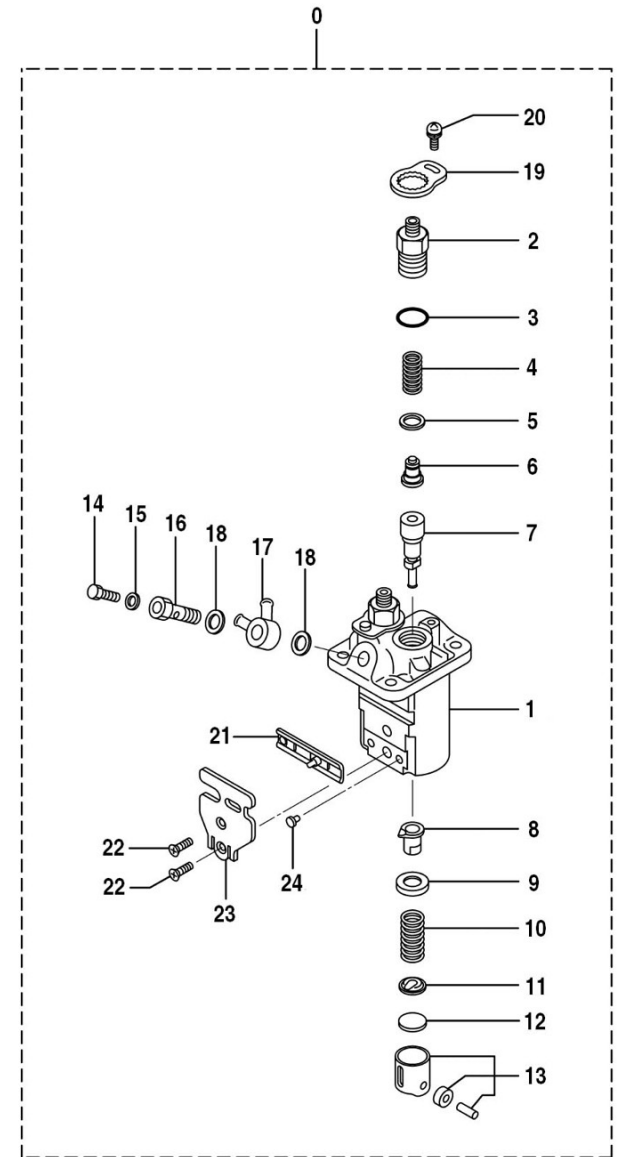
D_MIA2_4_3 Fuel Injection Pump

Fig.	Ref.	Qty.	Descr.	Obs	From	UpTo
0	13825001.4	1	Pump Assy,Fuel Injection			
1	13825005	1	Housing Assy			
2	17625004.4	2	Holder			
3	17625033.4	2	O-Ring			
4	13825002	2	Spring			
5	13125007	2	Gasket DELIVERY V			
6	17625008.4	2	Valve SUB Assy			
7	13825009	2	Element SUB Assy			
8	13825010	2	SLEEVE SUB Assy			
9	13825011	2	Seat			
10	13825012	2	Spring			
11	13825013	2	Seat			
12A	13925015G	0	Plate Tappet Shim 1,85	#		
12B	13825016G	0	Plate Tappet Shim 1,90	#		
12C	13925017G	0	Plate Tappet Shim 1,95	#		
12D	13925018G	0	Plate Tappet Shim 2,00	#		
12E	13925019G	0	Plate Tappet Shim 2,05	#		
12F	13925020G	0	Plate Tappet Shim 2,10	#		
12G	13925021G	0	Plate Tappet Shim 2,15	#		
12H	13925022G	0	Plate Tappet Shim 2,20	#		
12I	13925023G	0	Plate Tappet Shim 2,25	#		
12J	13925024G	0	Plate Tappet Shim 2,30	#		
12K	13925025G	0	Plate Tappet Shim 2,35	#		
12L	13925026G	0	Plate Tappet Shim 2,40	#		
12M	13925027G	0	Plate Tappet Shim 2,45	#		
12N	13925028G	0	Plate Tappet Shim 2,50	#		
13	13825021	2	TAPPET Assy			
14	13825026	1	Screw Air			
15	13825025	1	Washer,DRAIN Screw			
16	13825027	1	Screw HOLLOW			
17	17325029.3	1	Nipple Swivel			



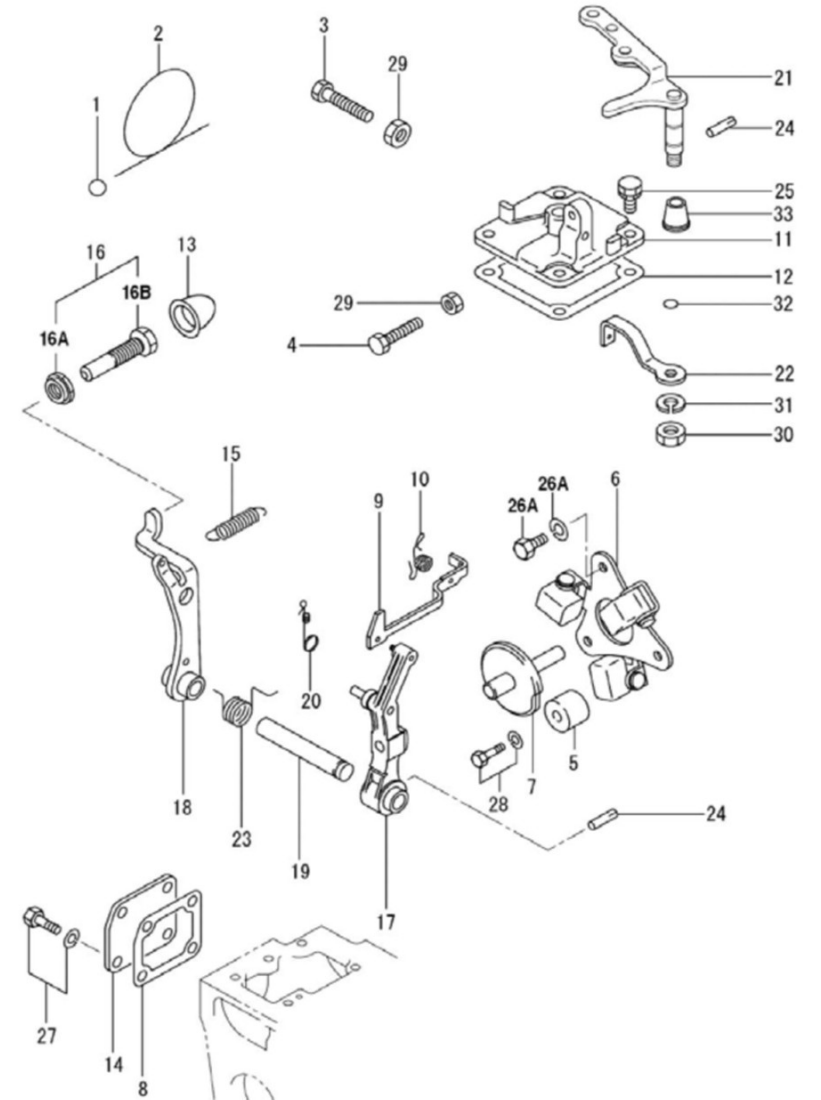
D_MIA2_4_3 Fuel Injection Pump

Fig.	Ref.	Qty.	Descr.	Obs	From	UpTo
18	13825061	2	Washer			
19	13825030	2	Plate Set			
20	13825028.1	2	Screw,W/Washer			
21	13825006	1	RACK			
22	13825062	2	Screw			
23	13825063	1	Bracket			
24	13925034G	2	Pin Tappet Guide			



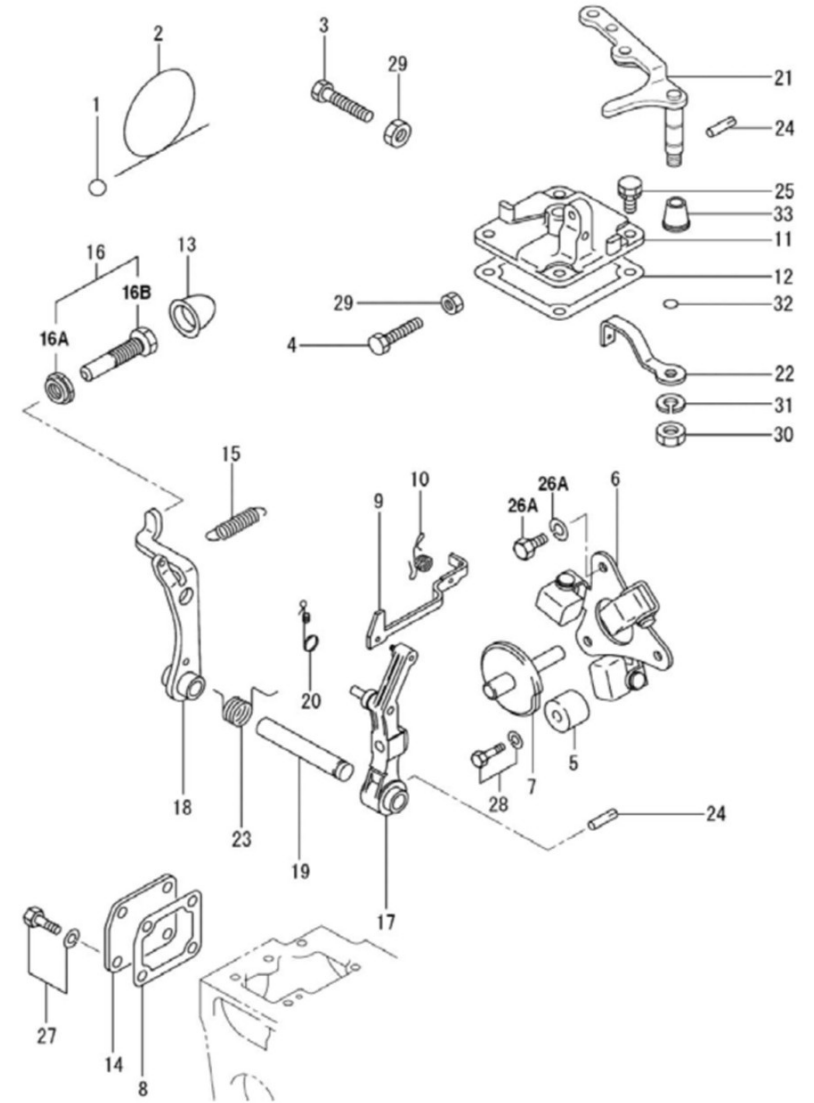
D_MIA2_4_4 Governor Parts

Fig.	Ref.	Qty.	Descr.	Obs	From	UpTo
1	17623020.4	1	Metal,Fuel			
2	17623019.4	1	Wire			
3	13123017	1	Bolt High Speed			
4	17223017.4	1	Bolt			
5	13723005	1	Stopper			
6	13823001	1	WEIGHT Assy,GOverNOR			
7	60530009	1	Shaft Assy,sliding			
8	13823014	1	Gasket Tie Rod CO			
9	13923005	1	ROD TIE			
10	13823028	1	Spring, Tie Rod			
11	13823032.1	1	Cover,Governor			
12	13823033	1	Gasket Governor Cover			
13	13823042	1	Cap TORQUE Set SE			
14	17623043.4	1	Cover TIE ROD			
15	13823015	1	Spring GOverNOR			
16A	17223035	1	Nut			
16B	13823034	1	RACK Set Screw (new)			
17	13823003	1	Lever Assy Governor			
18	13823007	1	Lever Assy TENSIO			
19	17623006.4	1	Shaft Governor			
20	13823044	1	Spring TIE ROD			
21	17623008.4	1	Lever Assy SPEED			
22	13823027	1	Lever Governor SP			
23	13823036	1	Spring START			
24	17623009.4	2	Pin GROOVED			
25	52102155	4	Bolt DIN 933 M6-12 8.8			
26A	52102154	2	Bolt DIN 933 M6-10 8.8			
26B	53033006	2	Washer GROWER DIN 127-6			
27	52102156	4	Bolt DIN 933 M6-16 8.8			
28	13823011	1	Bolt,W/Washer			
29	17223032	2	Nut			



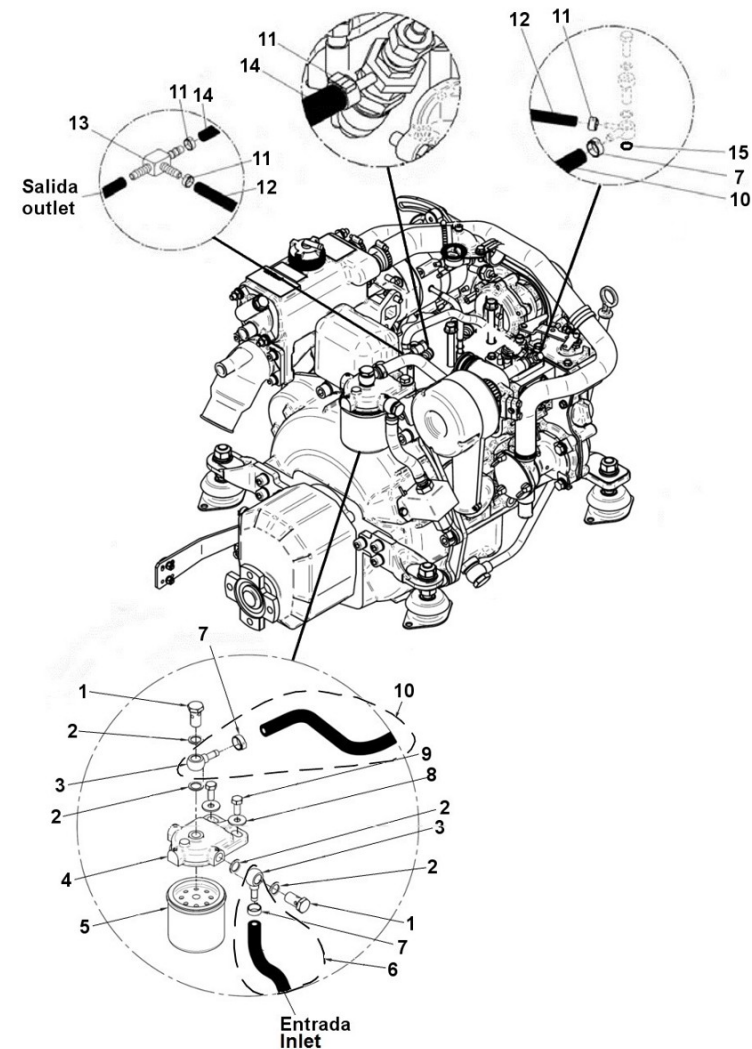
D_MIA2_4_4 Governor Parts

Fig.	Ref.	Qty.	Descr.	Obs	From	UpTo
30	17223030	1	Nut			
31	53033008	1	Washer GROWER DIN 127-8			
32	13123021	1	O-Ring D. 7X1.8			
33	17623045.4	1	Cover,Governor Shaft			



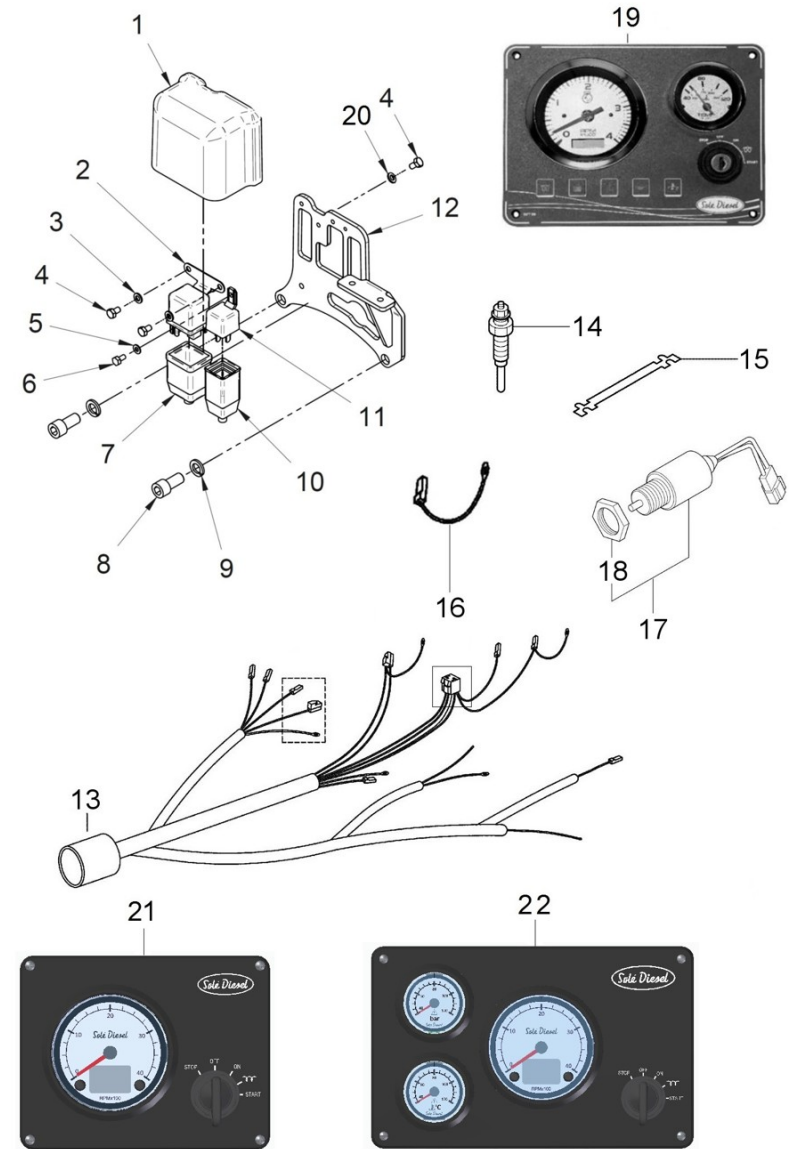
D_MIA3_4_5 Fuel Supply Parts

Fig.	Ref.	Qty.	Descr.	Obs	From	UpTo
1	12814051	2	Screw,eye			
2	57000369	4	Washer 14,2-20-1,5			
3	17214012	2	COLLAR,Union			
4	13114020	1	Cover,filter			
5	13114022	1	Fuel Filter Element from MINI 10 to 55			
6	13814017.5	1	Fuel Pump Hose			
7	51086016	3	ONE EAR Clamp With INTERIOR Ring 14-16,3			
8	51031008	2	Washer DIN 9021 8			
9	52102257	2	Bolt DIN 933 M8-20 8.8			
10	13814026	1	Hose			
11	51086010	4	One Ear Clamp With Interior Ring 10-11,5			
12	17614026	1	0,04 M. Hose			
13	17614028	1	Bypass "T"			
14	13814027	1	Assy,Fuel Return			
15	56000205	1	Washer 10-16-3			



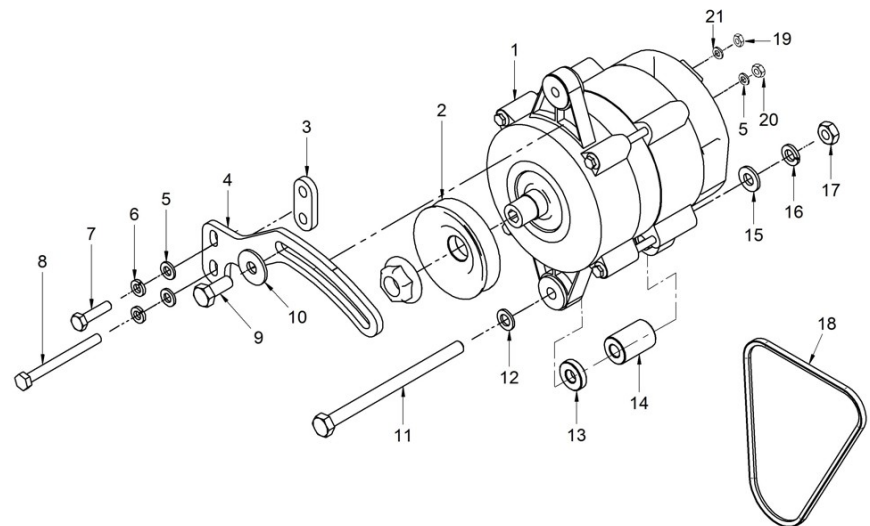
D_MIA3_5_3 Electrical Wiring

Fig.	Ref.	Qty.	Descr.	Obs	From	UpTo
1	13817003	1	Cover		15/06/2016	
2	13827005	1	Glow Relay		15/06/2016	
3	51030006	2	Washer DIN 125-6		15/06/2016	
4	52102154	2	Bolt DIN 933 M6-10 8.8		15/06/2016	
5	51030005	1	Washer DIN 125-5		15/06/2016	
6	52102104	1	Bolt DIN 933 M5-10 8.8		15/06/2016	
7	13817007	1	Rubber Cover		15/06/2016	
8	53203359	2	Bolt DIN 912 M12-1,25-30 12.9		15/06/2016	
9	53033012	2	Washer Grower DIN 127-12		15/06/2016	
10	13817006	1	Cover		15/06/2016	
11	13817005	1	Relay 6V		15/06/2016	
12	13817002	1	Support,relay		15/06/2016	
13	60938204	1	Wiring,electrical MINI 17-26		15/06/2016	
14	17627017.4	2	Plug,glow		15/06/2016	
15	13827018	1	Plate Glow Plug		15/06/2016	
16	60934040	1	Wirine		15/06/2016	
17	13824022	1	SOLENOID		15/06/2016	
18	13425029	1	Nut (old)		15/06/2016	
19	60938130R	1	SVT 20 MINI-17/29 Panel (Repl.)			04/03/2024
20	51031006	1	Washer DIN 9021 6		15/06/2016	
21A	63938211NS	1	Panel SSG 20 MINI-17/29 ETS 12V Black		04/03/2024	
21B	63938211BS	1	Panel SSG 20 MINI-17/29 ETS 12V White		04/03/2024	
22A	63938311BS	1	Panel SSG 30 MINI-17/29 ETS 12V White		04/03/2024	
22B	63938311NS	1	Panel SSG 30 MINI-17/29 ETS 12V Black		04/03/2024	



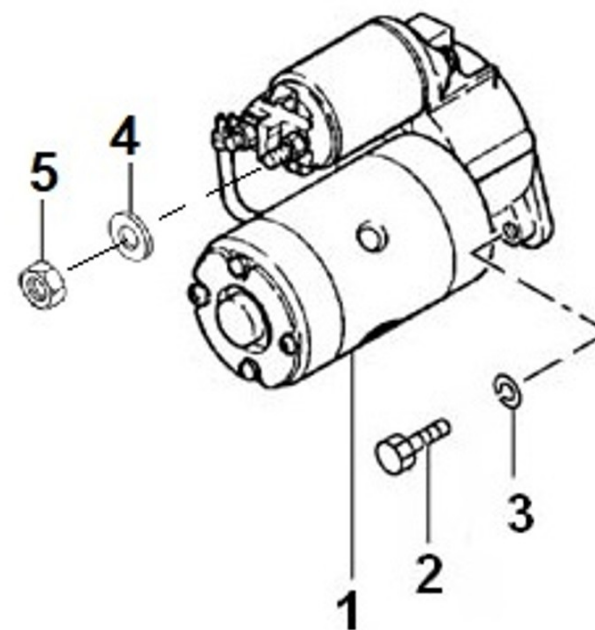
D_MIA3_5_1 Kit Alternator 14V/75A

Fig.	Ref.	Qty.	Descr.	Obs	From	UpTo
1	13817020	1	Alt. 14V/75A Mahle			
2	13817019	1	Pulley Alternator			04/03/2024
2	13817023	1	Pulley Alternator D.58		04/03/2024	
3	13817018	1	Spacer			
4	13817015	1	Plate			
5	51030006	3	Washer DIN 125-6			
6	53033006	2	Washer GROWER DIN 127-6			
7	52102158	1	Bolt DIN 933 M6-25 8.8			
8	52101166	1	Bolt DIN 931 M6-65 8.8			
9	52102257	1	Bolt DIN 933 M8-20 8.8			
10	51031008	1	Washer DIN 9021 8			
11	52101275	1	Bolt DIN 931 M8-120 8.8			
12	53038008	1	Washer DIN 6798-A 8			
13	17117002	1	Spacer 8,5X20X5			
14	13817118	1	Spacer 8,5x20x28			
15	51030008	1	Washer DIN 125-8			
16	53033008	1	Washer GROWER DIN 127-8			
17	52120008	1	Nut DIN 934 M8 8.8			
18	13821228	1	Belt Type SPZX 900		04/03/2024	
18	17617027	1	Belt Type SPZX 912			04/03/2024
19	52120005	1	Nut DIN 934 M5 8.8			
20	52120006	1	Nut DIN 934 M6 8.8			
21	51030005	1	Washer DIN 125-5			



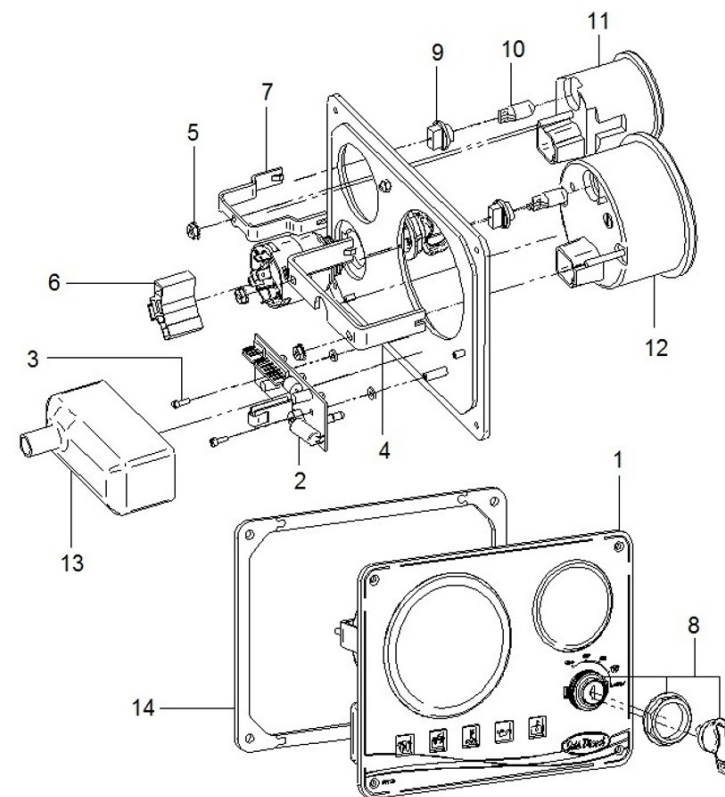
D_MIB1_5_5 Starter Assy 12V

Fig.	Ref.	Qty.	Descr.	Obs	From	UpTo
1	13827002	1	Starter Assy 12 V			
2	52102259	2	Bolt DIN 933 M8-30 8.8			
3	53033008	2	Washer GROWER DIN 127-8			
4	51030008	1	Washer DIN 125-8			
5	52120008	1	Nut DIN 934 M8 8.8			



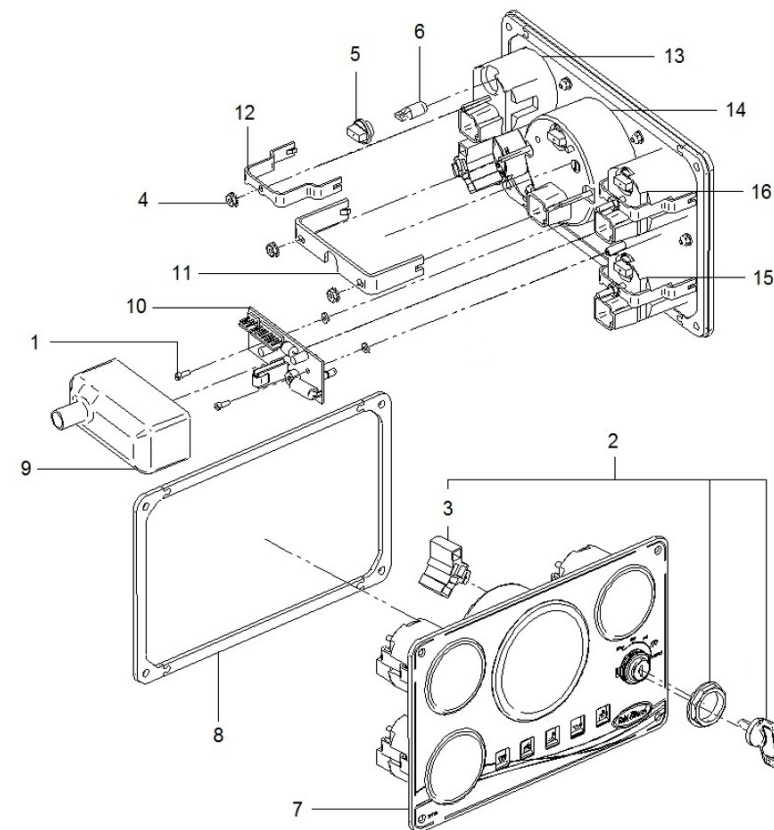
D_60938130 SVT 20 MINI-17/29 Panel

Fig.	Ref.	Qty.	Descr.	Obs	From	UpTo
1	60938005.1	1	Panel N.2			
2	60900301.3	1	V3 C.I. 12V Prop. Engine Board.Varnished			
3	54108003	2	Bolt DIN 84 M3-8 INOX.			
4	60900910.1	1	Revolution Counter Fixing Bracket			
5	60900910.2	3	Fixing Nut Gauge+Terminal			
6	60900037.2	1	Connector			
7	60900915.2	1	Gauge Fixing Bracket			
8	60900037	1	Key-Locking			
9	60900931	2	SOCKET,WEDGE BASE			
10	60900929	2	Bulb 12V			
11	60900937	1	Thermometer VT 12V			
12	60938911	1	Revol. Counter VT 12V MINI-17/26			
13	60900096	1	Cover Plate for Motor Propeller			
14	60938006.1	1	Gasket Panel			
NS	60900091	1	MICRO Relay 12V 12-20			
NS	60910012	1	System Back Panel SVT/MVT 20 12V		12/07/2016	



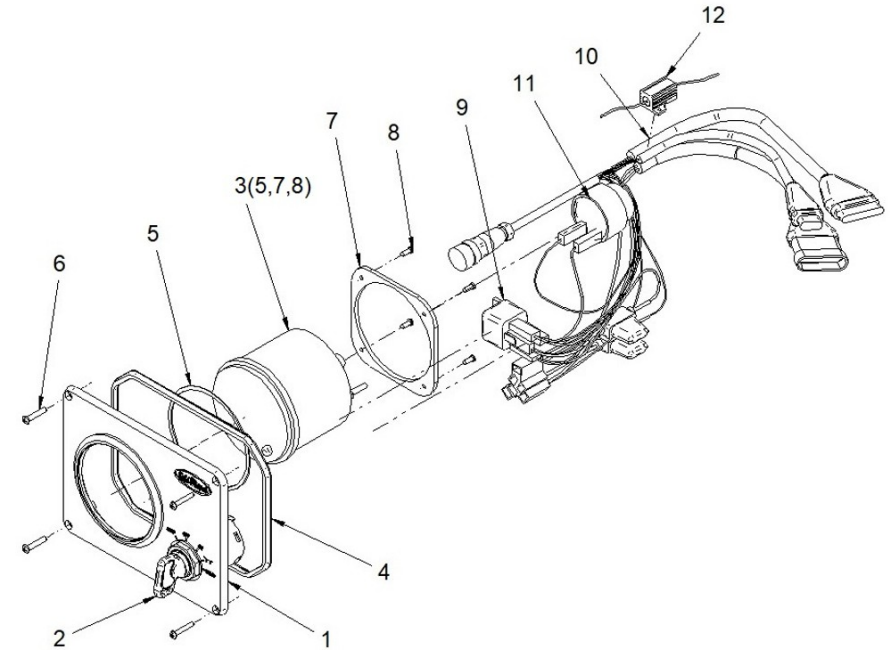
D_60938132 SVT 30 MINI-17/29 Panel

Fig.	Ref.	Qty.	Descr.	Obs	From	UpTo
1	54108003	2	Bolt DIN 84 M3-8 INOX.			
2	60900037	1	Key-Locking			
3	60900037.2	1	Connector			
4	60900910.2	5	Fixing Nut Gauge+Terminal			
5	60900931	4	SOCKET,WEDGE BASE			
6	60900929	4	Bulb 12V			
7	60990005.1	1	Panel N.3			
8	60990006.1	1	Gasket Panel			
9	60900096	1	Cover Plate for Motor Propeller			
10	60900301.3	1	V3 C.I. 12V Prop. Engine Board.Varnished			
11	60900910.1	1	Revolution Counter Fixing Bracket			
12	60900915.2	3	Gauge Fixing Bracket			
13	60900941	1	Voltmeter VT 12V			
14	60938911	1	Revol. Counter VT 12V MINI-17/26			
15	60900937	1	Thermometer VT 12V			
16	60900939	1	Pressure Gauge VT 12V			
NS	60900091	1	MICRO Relay 12V 12-20			
NS	60910014	1	System Back Panel SVT/MVT 30 12V		07/12/2016	



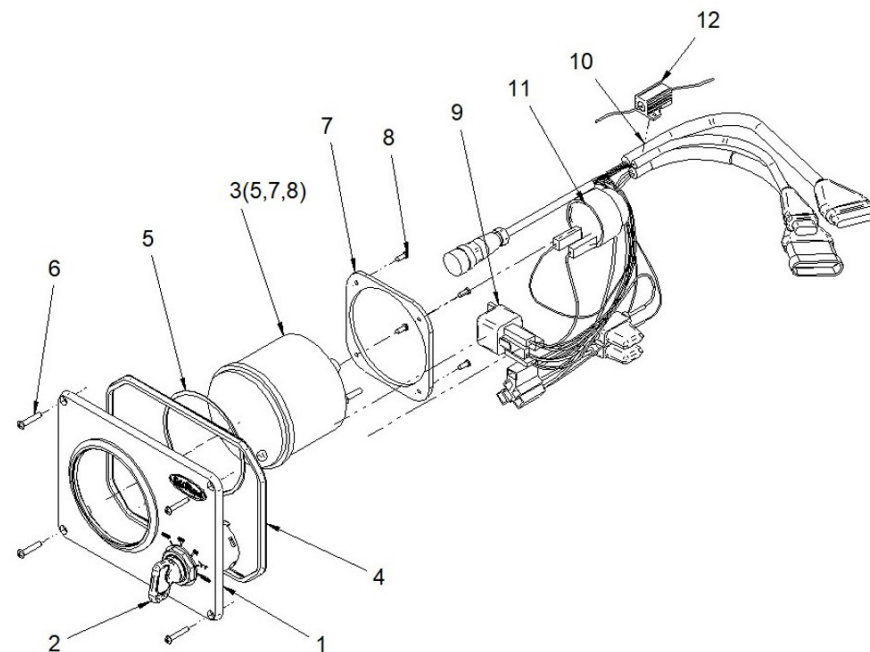
D_1631 Panel SSG 20 Spare Parts

Fig.	Ref.	Qty.	Descr.	Obs	From	UpTo
1	63900013	1	SSG 20 Panel Solé Diesel			
2	60900037	1	Key-Locking			
3A	63938001BSR	1	Revolution Counter SG Solé MINI-17/29 White			
3B	63938001BNR	1	Revolution Counter SG Solé MINI-17/29 Black			
3C	63972001BSR	1	Revolution Counter SG Solé MINI-33/44/55 White			
3D	63972001BNR	1	Revolution Counter SG Solé MINI-33/44/55 Black			
3E	639A0001BSR	1	Revolution Counter SG Solé SK-60 White			
3F	639A0001BNR	1	Revolution Counter SG Solé SK-60 Black			
3G	63971001BSR	1	Revolution Counter SG Solé MINI-62 White			
3H	63971001BNR	1	Revolution Counter SG Solé MINI-62 Black			
3I	63974001BSR	1	Revolution Counter SG Solé MINI-74/SM-105/103 White			
3J	63974001BNR	1	Revolution Counter SG Solé MINI-74/SM-105/103 Black			
3K	63978001BSR	1	Revolution Counter SG Solé SM-82/94 White			
3L	63978001BNR	1	Revolution Counter SG Solé SM-82/94 Black			
3M	63994001BSR	1	Revolution Counter SG Solé SDZ-165/205/280 White			
3N	63994001BNR	1	Revolution Counter SG Solé SDZ-165/205/280 Black			
4	63900017	1	Gasket Panel SSG20			
5	63900009	1	Silicone Tachometer Gasket SG 94x84x1 Frontal			
6	51918057	4	Bolt DIN 7981 3,9-22			
7	63900007	1	SG D.85 Tachometer Bracket			
8	5191B003	4	Bolt CL81Z 3.1X8			
9A	63900028	1	Relay 12V 20/30A NO+NC			
			Figure A for 12V System			
9B	63900029	1	Relay 24V 10/20A NO+NC			
			Figure b for 24V System			
10	63900032	1	Electrical Installation Panel SSG Master			
11	60900060	1	Alarm, Buzzer			
12A	61100000	1	Resistance 12V 18 Ohm with Connectors Panel SG			
			Figure A for 12V System			
12B	61100001	1	Resistance 24V 75 Ohm with Connectors Panel SG			
			Figure b for 24V System			



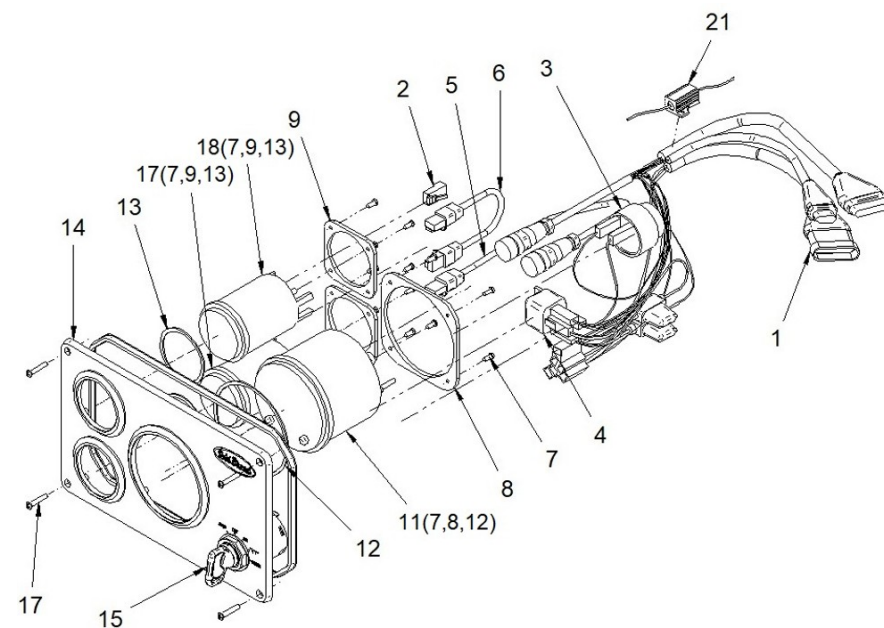
D_1631 Panel SSG 20 Spare Parts

Fig.	Ref.	Qty.	Descr.	Obs	From	UpTo
13	63900040	1	Buzzer Bracket			
14	53033005	2	Washer GROWER DIN 127-5			
15	52120004	2	Nut DIN 934 M4 8.8			
NS	LLAVERO.1A	1	Floating Keyring Solé Diesel			



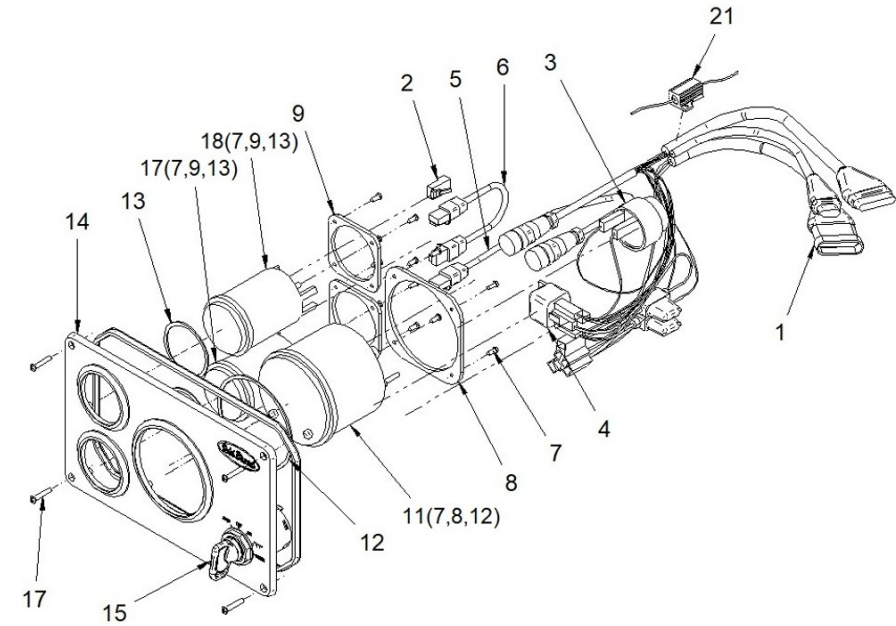
D_1633 Panel SSG 30 Spare Parts

Fig.	Ref.	Qty.	Descr.	Obs	From	UpTo
1	63900032	1	Electrical Installation Panel SSG Master			
2	63900026	1	CAN RJ45 Bus End Resistor			
2	63900037	1	CAN RJ45 Bus End Resistor CAN M12-5pin NMEA2000			
3	60900060	1	Alarm, Buzzer			
4A	63900028	1	Relay 12V 20/30A NO+NC			
Figure A for 12V System						
4B	63900029	1	Relay 24V 10/20A NO+NC			
Figure b for 24V System						
5	63900025	1	M12-5 Pin To Connector RJ45 0.2m SG			
6	63900027	1	Ethernet Cable RJ45 0.2m			
7	5191B003	12	Bolt CL81Z 3.1X8			
8	63900007	1	SG D.85 Tachometer Bracket			
8	63900008	2	SG D.52 Watch Support			
11A	63938001BSR	1	Revolution Counter SG Solé MINI-17/29 White			
11B	63938001BNR	1	Revolution Counter SG Solé MINI-17/29 Black			
11C	63972001BSR	1	Revolution Counter SG Solé MINI-33/44/55 White			
11D	63972001BNR	1	Revolution Counter SG Solé MINI-33/44/55 Black			
11E	639A0001BSR	1	Revolution Counter SG Solé SK-60 White			
11F	639A0001BNR	1	Revolution Counter SG Solé SK-60 Black			
11G	63971001BSR	1	Revolution Counter SG Solé MINI-62 White			
11H	63971001BNR	1	Revolution Counter SG Solé MINI-62 Black			
11I	63974001BSR	1	Revolution Counter SG Solé MINI-74/SM-105/103 White			
11J	63974001BNR	1	Revolution Counter SG Solé MINI-74/SM-105/103 Black			
11K	63978001BSR	1	Revolution Counter SG Solé SM-82/94 White			
11L	63978001BNR	1	Revolution Counter SG Solé SM-82/94 Black			
11M	63994001BSR	1	Revolution Counter SG Solé SDZ-165/205/280 White			
11N	63994001BNR	1	Revolution Counter SG Solé SDZ-165/205/280 Black			
12	63900009	1	Silicone Tachometer Gasket SG 94x84x1 Frontal			
13	63900010	2	Silicone Watch Gasket SG 54x48x1 Frontal			
14	63900014	1	SSG 30 Panel Solé Diesel			
15	60900037	1	Key-Locking			



D_1633 Panel SSG 30 Spare Parts

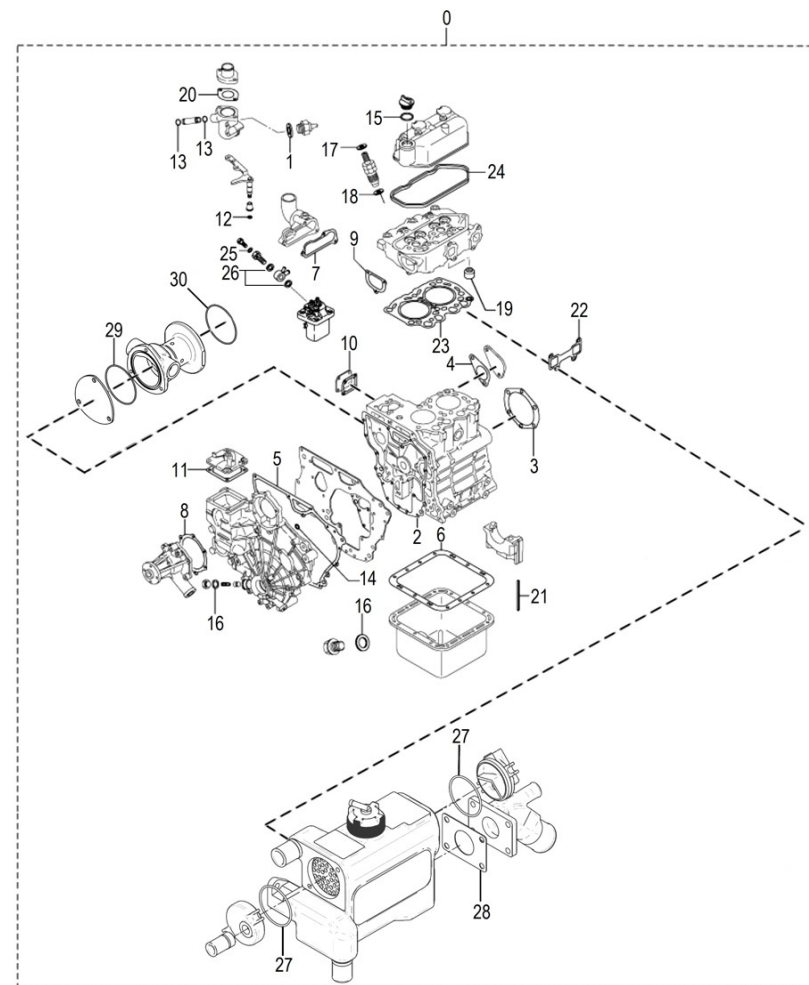
Fig.	Ref.	Qty.	Descr.	Obs	From	UpTo
17	51918057	4	Bolt DIN 7981 3,9-22			
18A	63900003BSR	1	Pack Pressure Gauge SG Solé Master White			
18B	63900042NSR	1	Pressure Gauge SG Solé Master Black			
19A	63900002BSR	1	Pack Temperature Gauge SG Solé Master White			
19B	63900041NSR	1	Temperature Gauge SG Solé Master Black			
20	63900018	1	Gasket Panel SSG30			
21A	61100000	1	Resistance 12V 18 Ohm with Connectors Panel SG			
Figure A for 12V System						
21B	61100001	1	Resistance 24V 75 Ohm with Connectors Panel SG			
Figure b for 24V System						
22	63900040	1	Buzzer Bracket			
23	53033005	2	Washer GROWER DIN 127-5			
24	52120004	2	Nut DIN 934 M4 8.8			
NS	LLAVERO.1A	1	Floating Keyring Solé Diesel			



D_ALARPRO_1		Engine Extension				
Fig.	Ref.	Qty.	Descr.	Obs	From	UpTo
1A	60938210.1	1	Engine Wiring Ext. 3 M. SUPERSEAL			
1B	60985210.1	1	Engine Wiring Ext. 4 M. SUPERSEAL			
1C	60938211	1	Engine Wiring Ext. 8 M. SUPERSEAL			
1D	60985210.12.1	1	Engine Wiring Ext. 12 M. SUPERSEAL			
1E	60985210.15.1	1	Engine Wiring Ext. 15 M. SUPERSEAL			
1F	60985210.24.1	1	Engine Wiring Ext. 24 M. SUPERSEAL			
1G	60974552	1	3-way Wiring Wxtension for Auxiliary Kits 4 m			
1H	60900165	1	3-way Wiring Extension for Auxiliary Kits 6 m			
1I	60900166	1	3-way Wiring Extension for Auxiliary Kits 12 m			
1J	60900167	1	3-way Wiring Extension for Auxiliary Kits 24 m			

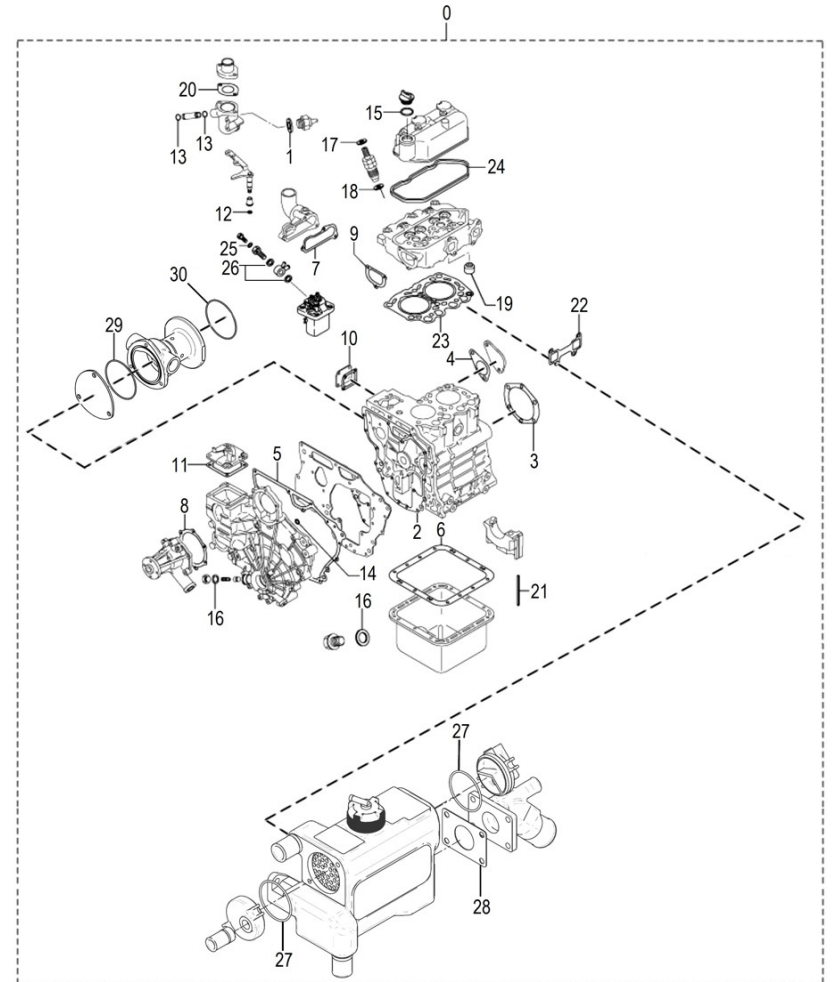


D_13820101.6		Kit Gasket			
Fig.	Ref.	Qty.	Descr.	Obs	From UpTo
0	13820101	1	Kit Gasket		
1	17121013	1	Gasket		
2	13820018	1	Gasket Front Plate		
3	13820016	1	Gasket Oil Seal C		
4	17620012.4	1	Gasket Cover		
5	13820040	1	Gasket Gear Case		
6	13820033.4	1	Gasket Oil PAN		
7	13821043	1	Gasket Intake COV		
8	13821022	1	Gasket Water Pump		
9	13821033	1	Gasket Thermostat		
10	13823014	1	Gasket Tie Rod CO		
11	13823033	1	Gasket Governor Cover		
12	13123021	1	O-Ring D. 7X1.8		
13	13821038	2	O-Ring D. 9X2		
14	13820044	2	O-Ring D. 11X2,5		
15	13721007	1	O-Ring D. 30X3		
16	56000077	2	Washer 18-23-1,5		
17	17424025G.1	2	Gasket Fuel Return (Genset)		
18	13824013	2	Injector Washer		
19	13222054	4	Seal Valve Stem		
20	13821031	1	Gasket Water OutL		
21	13820002	4	Seal Side		
22	13821035	1	Gasket Exhaust Manifold		
23	13821004	1	Gasket Cylinder Head		
24	13821010	1	Gasket Rocker Cover		
25	13825025	1	Washer,DRAIN Screw		
26	13825061	2	Washer		
27	13811007	2	O-Ring D. 57X2,5		
28	17613014	1	Gasket		
29	37611003	1	O-Ring D. 57x1,5		01/06/2022
29	37611005	1	O-Ring D. 57X1,78		02/06/2022



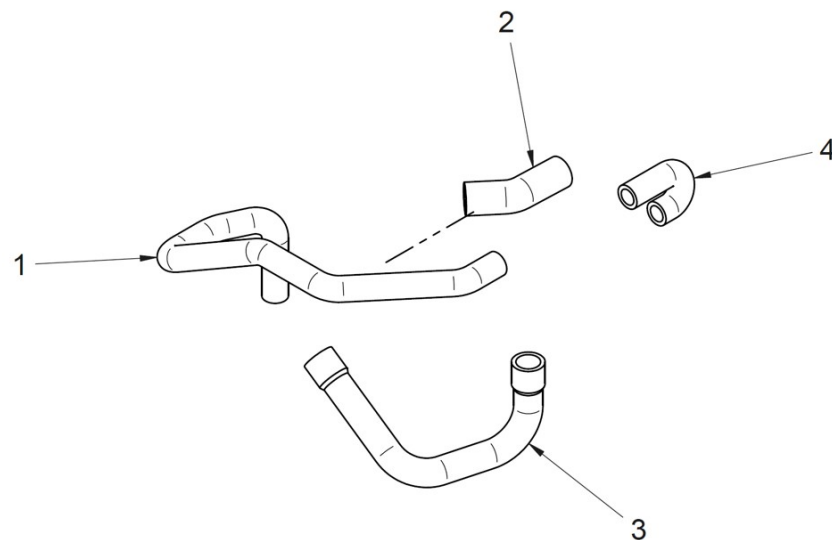
D_13820101.6 Kit Gasket

Fig.	Ref.	Qty.	Descr.	Obs	From	UpTo
30	17011007	1	O-Ring D. 57X3			



13811100.6 Pipe Rubber Set,water line 6 V.

Fig.	Ref.	Qty.	Descr.	Obs	From	UpTo
1	13811028	1	Sleeve Rubber			
2	13811029	1	Sleeve Rubber			
3	13811030	1	Sleeve Rubber			
4	13811032	1	Elbow			



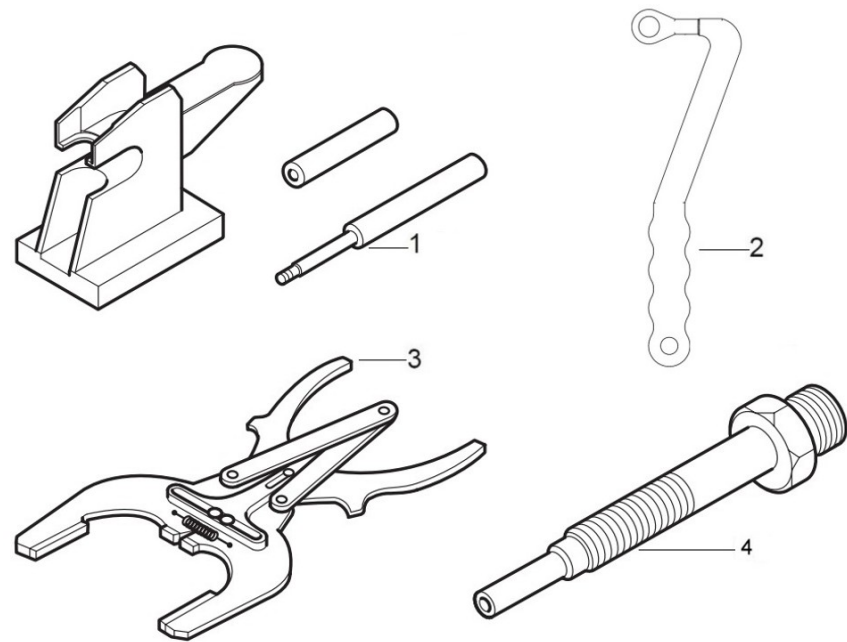
37611000K Repair Kit Water Pump 1/2"

Fig.	Ref.	Qty.	Descr.	Obs	From	UpTo
1	31211008	1	1/2" Impeller			
2	37611003	1	O-Ring D. 57x1,5			01/06/2022
2	37611005	1	O-Ring D. 57X1,78		02/06/2022	
3	33411020	1	Seal			
4	33411019	1	Seal			
5	33311013	1	O-Ring D. 15X2			
NS	17011007	1	O-Ring D. 57X3			



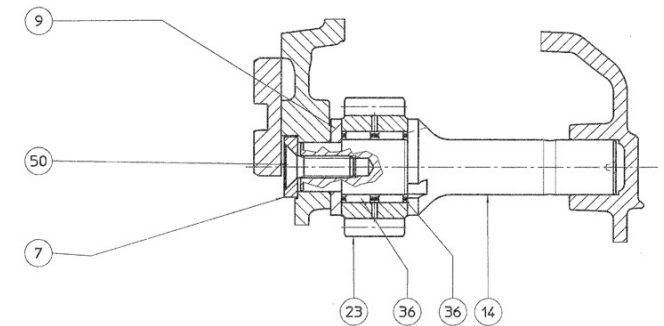
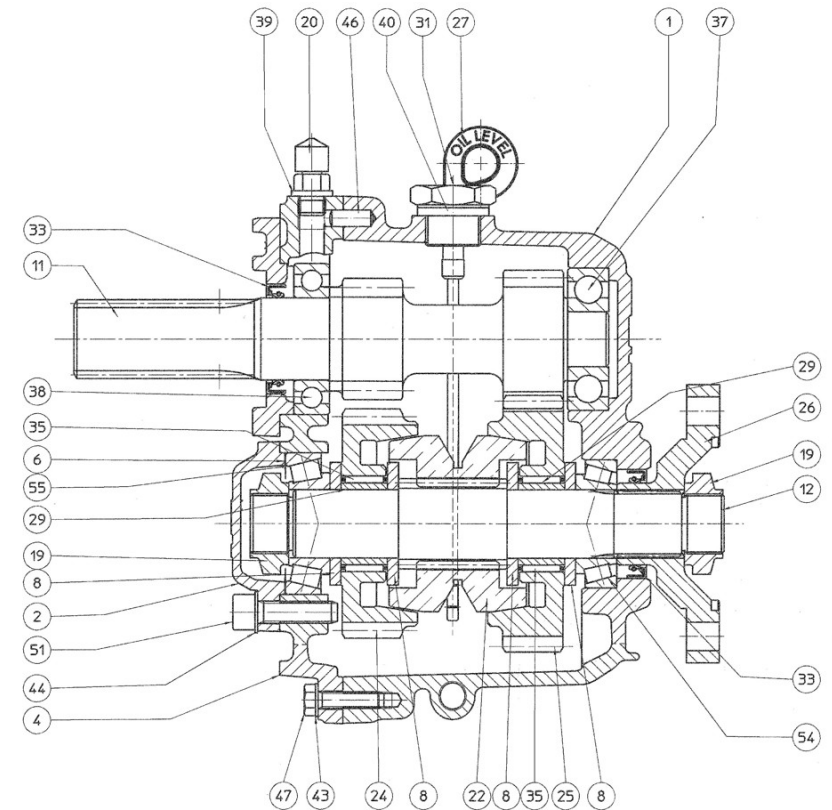
D_UTILFA0965_1 Special Tools

Fig.	Ref.	Qty.	Descr.	Obs	From	UpTo
1	U30L9110010	1	Piston Pin Setting Tool			
2	13811063	1	Refrigerator Mounting Key			
3	UMM74007	1	Piston Ring Pliers			
4	UST332270	1	Compression Gauge Adapter			



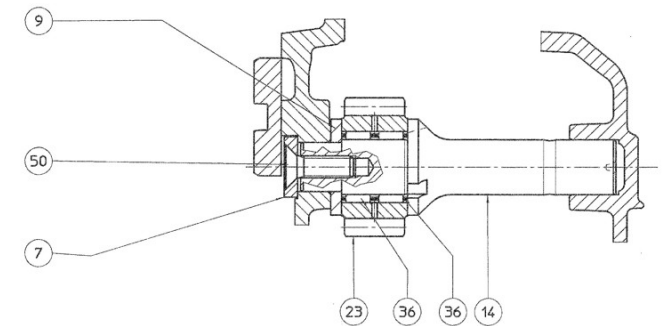
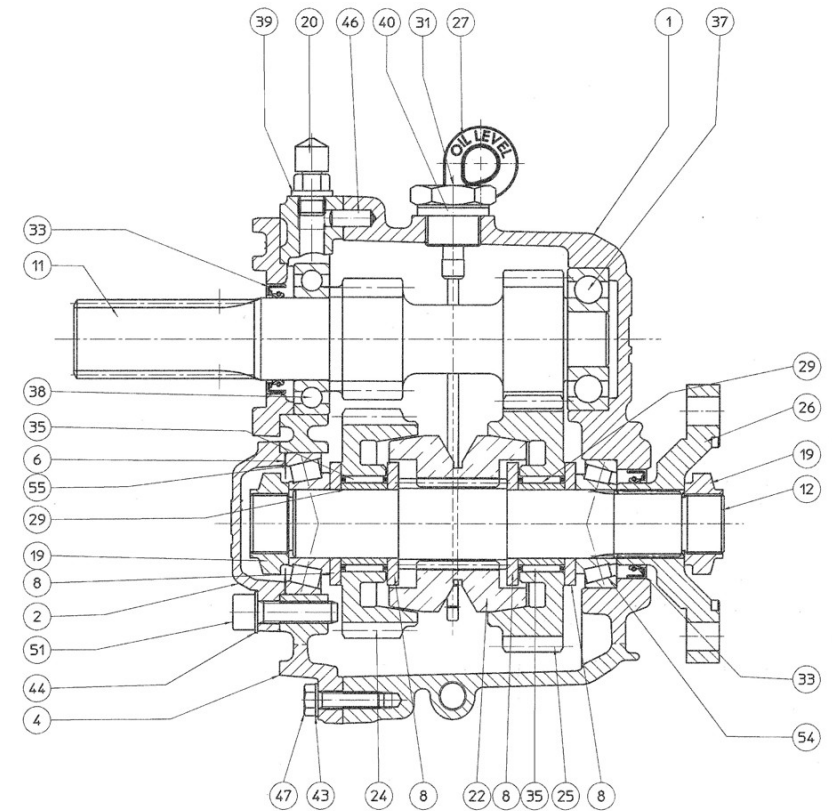
D_5033_1 Sheet 1/2

Fig.	Ref.	Qty.	Descr.	Obs	From	UpTo
1	24860002P	1	Box			
2	24860208	1	Gear Ratio 3:1			
4	24860001P	1	Cover			
6	24860076	2	Shim 0.1 mm			
7	24860307	1	Washer			
8	24860217	4	Spacer			
9	24860304	1	Spacer			
11	24863101	1	Input Shaft			
11	24864101	1	INPUT Shaft			
12	24860201	1	Output			
14	24860301	1	INTERMEDIATE Shaft			
19	24860222	2	Nut			
20	24810065	1	Plug			
22	24860202	1	Clutch			
23	24860302	1	Gear			
24	24860210	1	Gear			
25	24863203	1	Gear R.2,00			
25	24864203	1	Gear R.2,60			
26	24860224	1	Flange Output			
27	24860008P	1	Gauge			
29	24860205	2	CAGE			
31	24830011	1	Plug			
33	24860103	2	Oil Seal			
35	24860204	2	Bearing, needle			
36	24860306	2	Bearing, needle			
37	24860104	1	Ball Bearing 6304			
38	24860105	1	Bearing			
39	24810063	1	Plane Washer			
40	56000081	1	Washer 20-26-1,5			
43	24860092	8	Washer			
44	24850093	4	Washer			



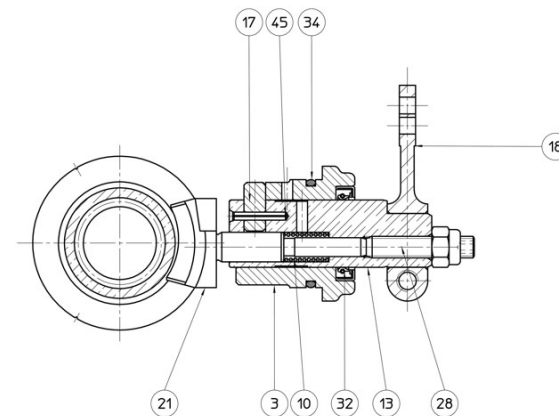
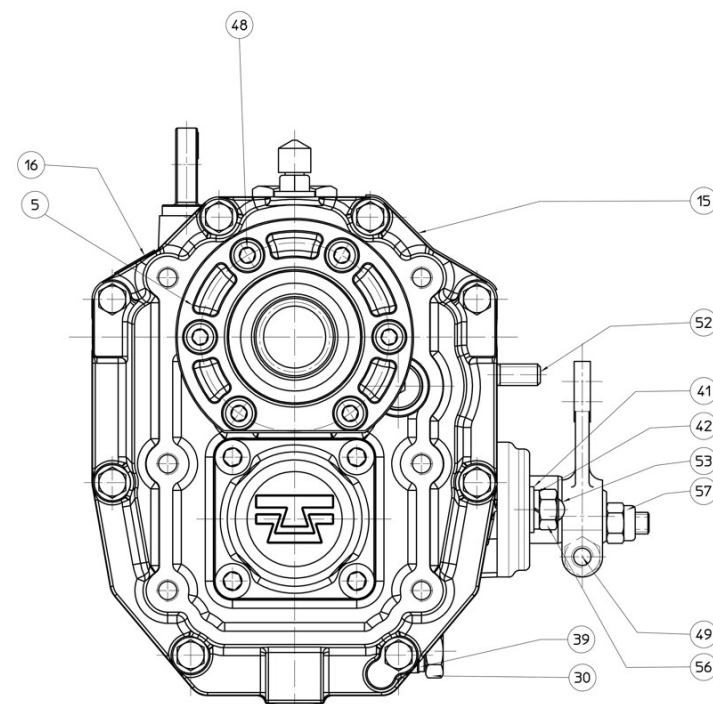
D_5033_1 Sheet 1/2

Fig.	Ref.	Qty.	Descr.	Obs	From	UpTo
46	24860023	2	Pin			
47	52102158	8	Bolt DIN 933 M6-25 8.8			
50	52105258	1	Bolt DIN 7991 M8-25 10.9			
51	52103259	4	Bolt DIN 912 M8-30 8.8			
54	24860206	1	Conical Roller Bearing 32005			
55	24860207	1	Conical Roller Bearing 30205A			
NS	24860450	1	Kit GasketS			



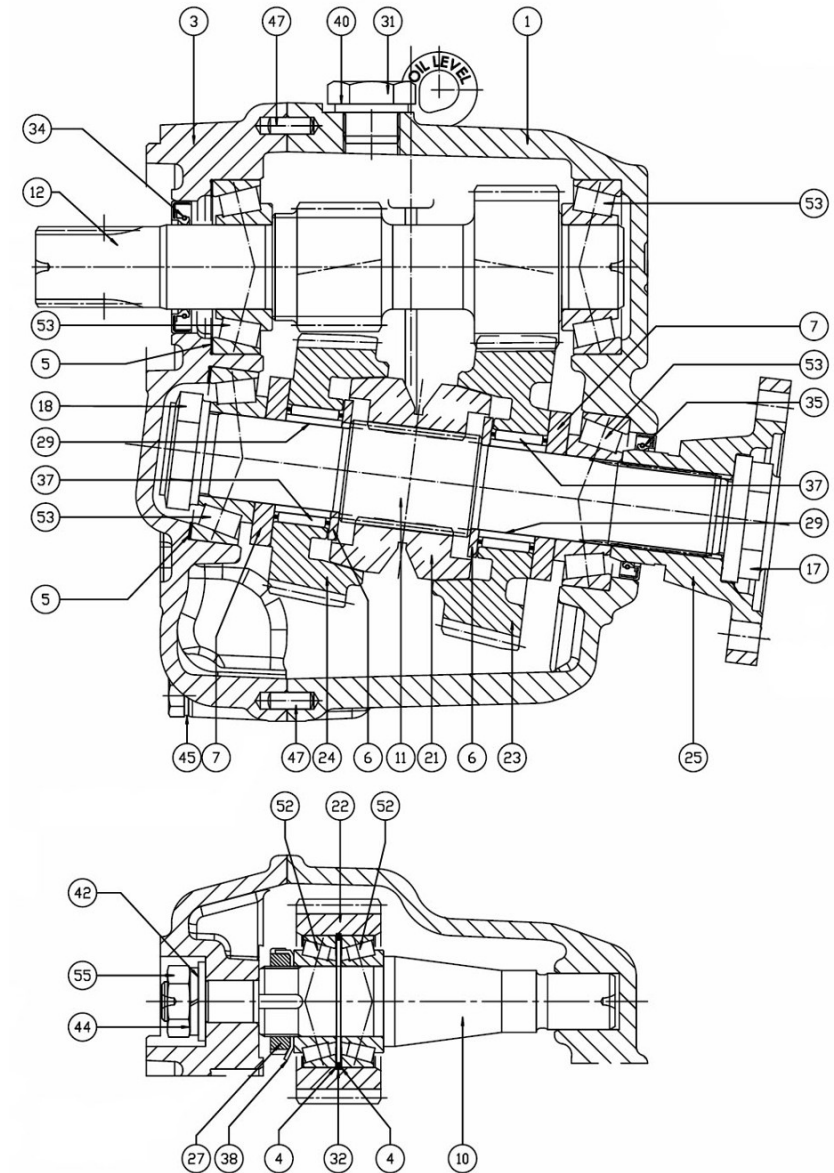
D_5033_2 Sheet 2/2

Fig.	Ref.	Qty.	Descr.	Obs	From	UpTo
3	24860401	1	Cover			
5	24860003P	1	Cover			
10	24860411	1	Spring			
13	24860402	1	Shaft			
15	24850005	1	Plate, IDENTIFICATION			
16	24860006	1	ATF Oil Plate			
17	24860419	1	Pin			
18	24810424	1	Lever			
21	24860423	1	PAD			
28	24860409	1	Screw			
30	24850011	1	Plug,oil drain			
32	24860404	1	Oil Seal			
34	24860417	1	O-Ring			
39	24810063	1	Plane Washer			
41	51030008	2	Washer DIN 125-8			
42	53033008	2	Washer GROWER DIN 127-8			
45	53052210	1	Pin DIN 1481 3-20			
48	52103157	6	Bolt DIN 912 M6-20 8.8			
49	52102258	1	Bolt DIN 933 M8-25 8.8			
52	24860011P	2	Stud			
53	24860071	2	STUD			
56	52120008	2	Nut DIN 934 M8 8.8			
57	51123008	1	Nut DIN 985 M8 5.6			



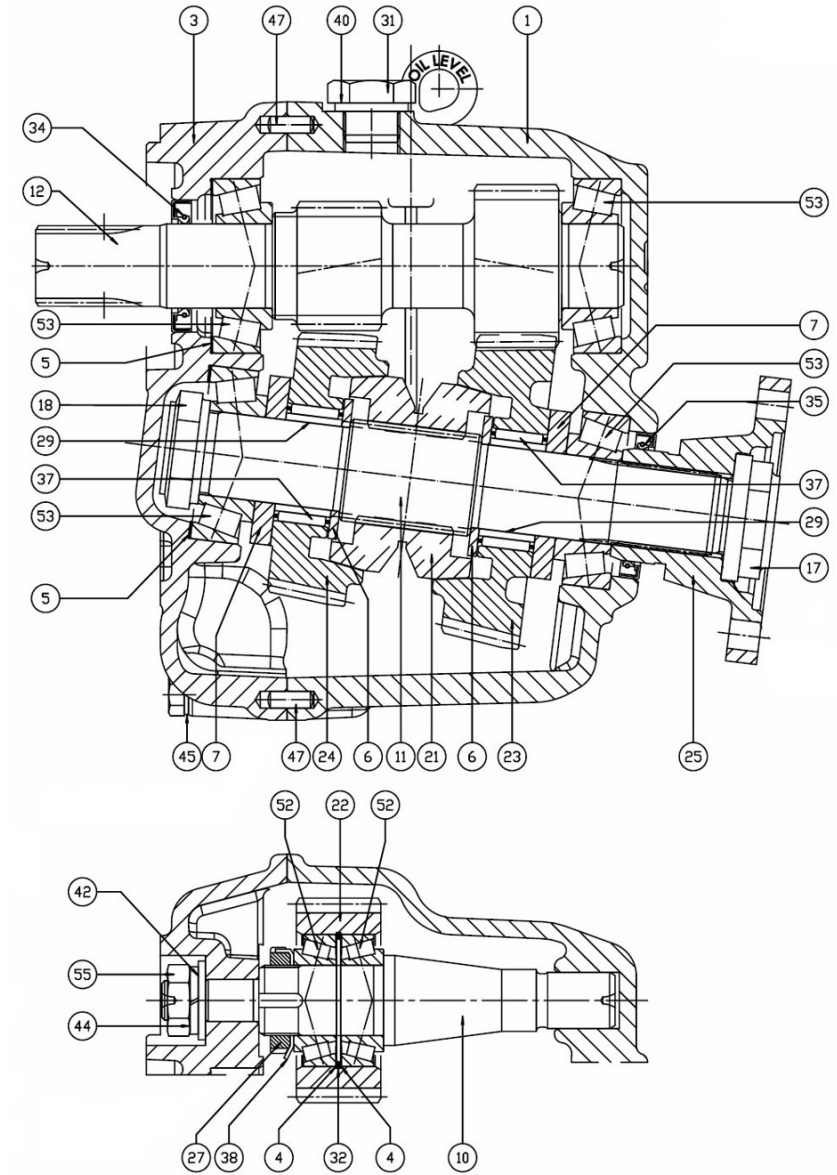
D_5034_1 Sheet 1/2

Fig.	Ref.	Qty.	Descr.	Obs	From	UpTo
1	24880002A	1	Box			
3	24880001A	1	Cover			
4	24880305	2	Spacer			
5	24813500.67	6	Spacer			
6	24880218	2	Shim			
7	24880217	2	Shim			
10	24880301	1	INTERMEDIATE Shaft			
11	24880201	1	Shaft Output			
12A	24884101	1	Input Shaft			
12B	24883101A	1	Input Shaft			
17	24850099	1	Nut			
18	24880222	1	Nut			
21	24880202	1	Clutch			
22	24880302	1	Gear			
23A	24884210A	1	Gear			
23B	24883210A	1	Gear			
24	24883203A	1	Gear			
25	24880224	1	Flange Output			
27	24880310	1	Nut			
29	24880205	2	CAGE			
31	24830011	1	Plug			
32	24880309	1	Ring			
34	22210103	1	Seal,oil BA 30-47-7			
35	25210214	1	Seal,oil 40-52-7			
37	24880204	2	Bearing, needle			
38	24880308	1	Washer			
40	56000083	1	Washer 21-26-1,5			
42	51030014	1	Washer DIN 125-14			
44	53033014	1	Washer GROWER DIN 127-14			
45	24850093	10	Washer			
47	24860023	2	Pin			



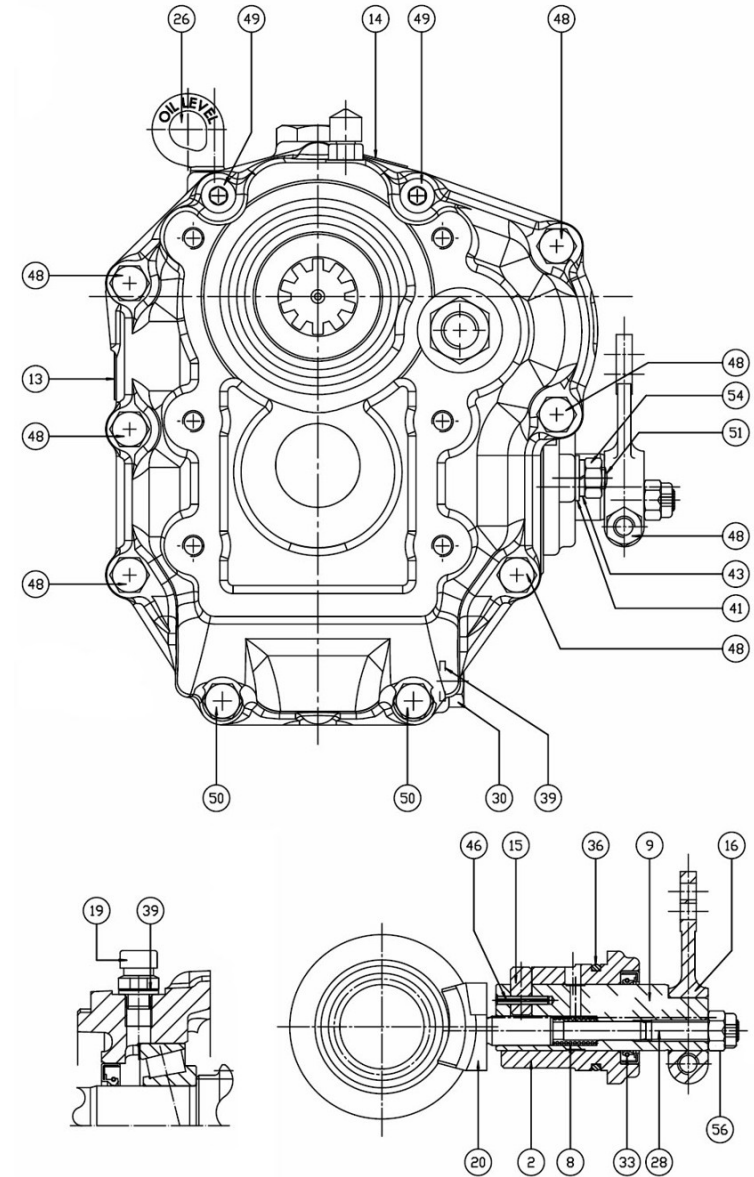
D_5034_1 Sheet 1/2

Fig.	Ref.	Qty.	Descr.	Obs	From	UpTo
52	24860206	2	Conical Roller Bearing 32005			
53	25710104	4	Conical Roller Bearing 32206-J2/Q			
55	24880307	1	Nut			



D_5034_2 Sheet 2/2

Fig.	Ref.	Qty.	Descr.	Obs	From	UpTo
2	24880401	1	Cover			
8	24860411	1	Spring			
9	24880402	1	Shaft			
13	24850005	1	Plate, IDENTIFICATION			
14	24860006	1	ATF Oil Plate			
15	24860419	1	Pin			
16	24810424	1	Lever			
19	24810065	1	Plug			
20	24880423	1	Pad			
26	24860008P	1	Gauge			
28	24880409	1	Screw			
30	24850011	1	Plug,oil drain			
33	24860404	1	Oil Seal			
36	24860417	1	O-Ring			
39	24810063	2	Plane Washer			
41	51030008	2	Washer DIN 125-8			
43	53033008	2	Washer GROWER DIN 127-8			
46	53052210	1	Pin DIN 1481 3-20			
48	52102258	7	Bolt DIN 933 M8-25 8.8			
49	52103258	2	Bolt DIN 912 M8-25 8.8			
50	52101263	2	Bolt DIN 931 M8-50 8.8			
51	24860071	2	STUD			
54	52120008	2	Nut DIN 934 M8 8.8			
56	51123008	1	Nut DIN 985 M8 5.6			



D_5036_1 Sheet 1/2

Fig.	Ref.	Qty.	Descr.	Obs	From	UpTo
2	24880401	1	Cover			
8	24880306	1	Washer			
9	24860411	1	Spring			
10	24880402	1	Shaft			
14	24850005	1	Plate, IDENTIFICATION			
15	24860006	1	ATF Oil Plate			
16	24860419	1	Pin			
17	24810424	1	Lever			
21	24880311	1	Plug			
22	24880038	2	Plug			
23	24880423	1	Pad			
29	24860008P	1	Gauge			
31	24880409	1	Screw			
33	24850011	1	Plug,oil drain			
36	24860404	1	Oil Seal			
39	24860417	1	O-Ring			
44	51030008	2	Washer DIN 125-8			
46	53033008	3	Washer GROWER DIN 127-8			
49	53052210	1	Pin DIN 1481 3-20			
51	52102258	8	Bolt DIN 933 M8-25 8.8			
52	52103258	2	Bolt DIN 912 M8-25 8.8			
53	52101263	2	Bolt DIN 931 M8-50 8.8			
54	24860071	2	STUD			
57	52120008	2	Nut DIN 934 M8 8.8			
59	51123008	1	Nut DIN 985 M8 5.6			

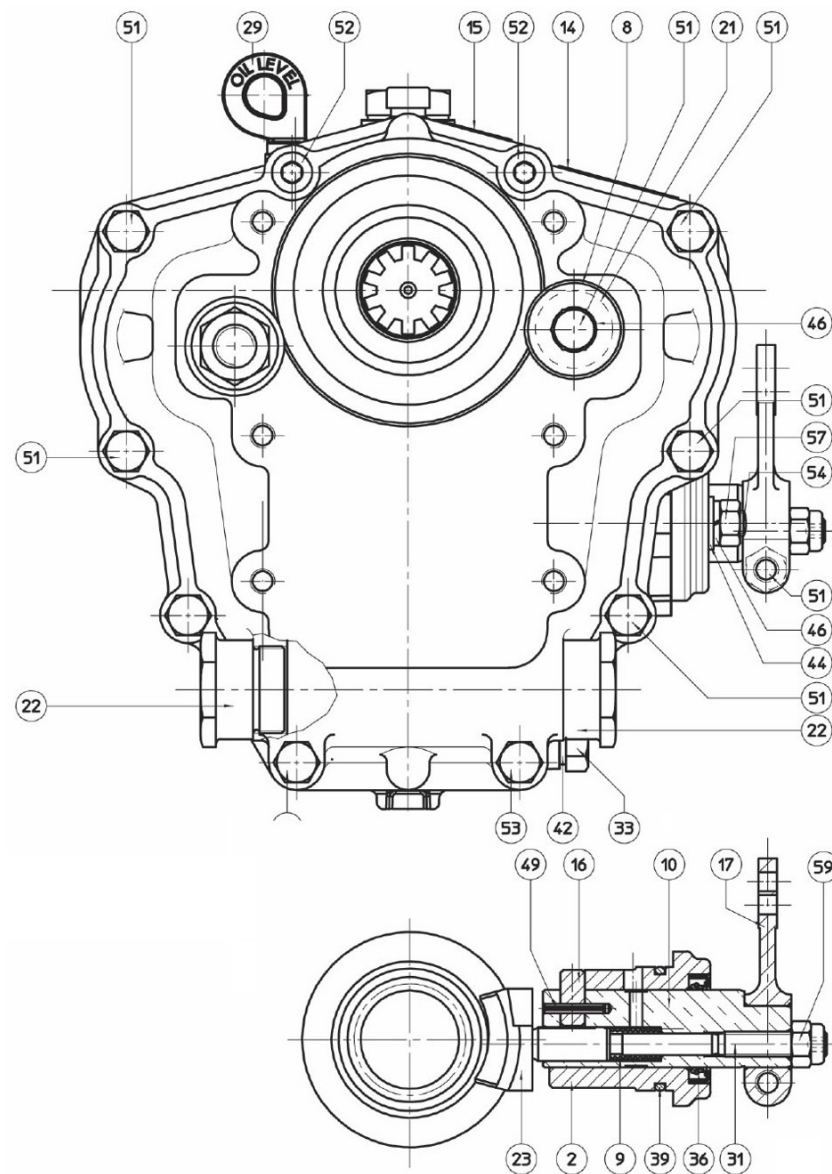
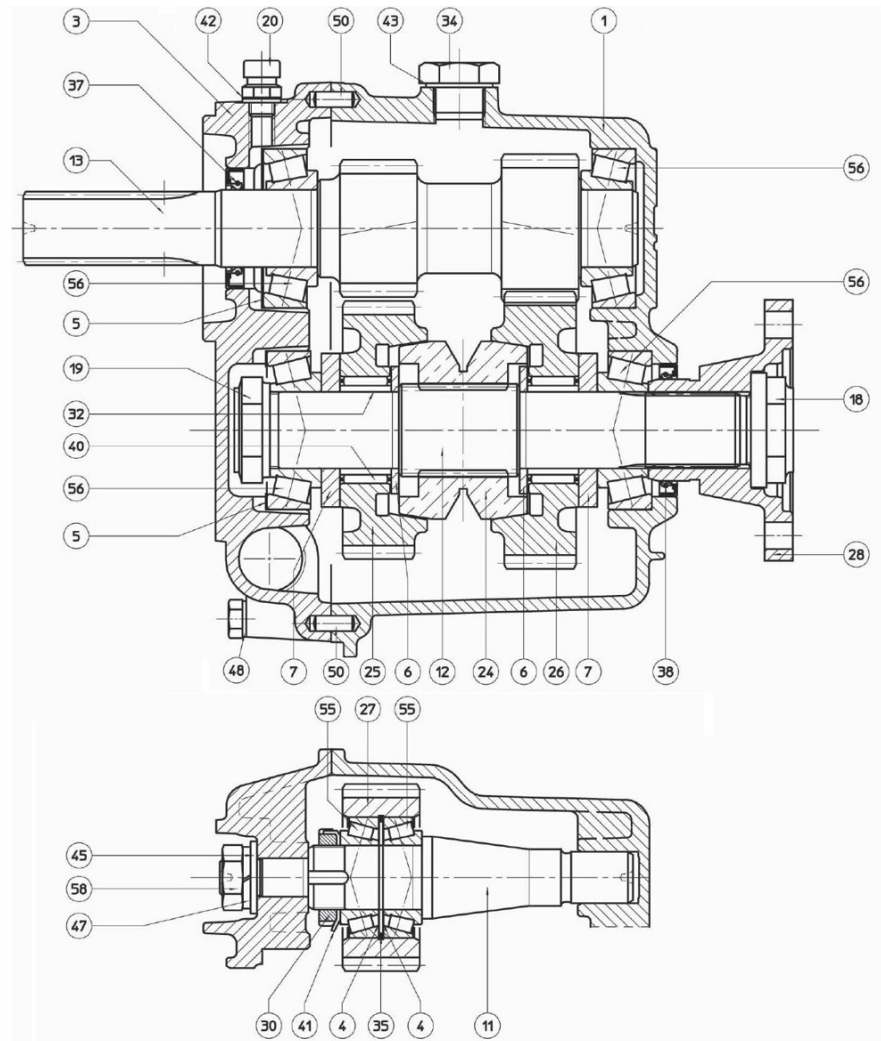
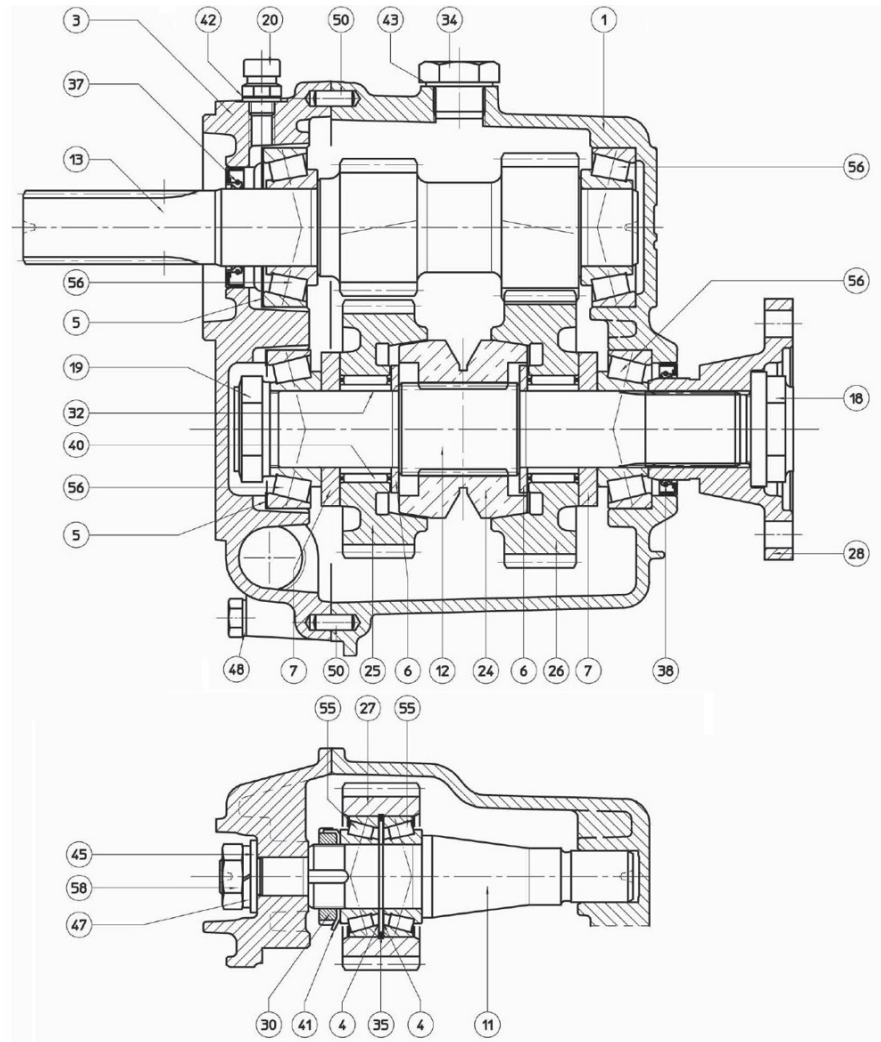


Fig.	Ref.	Qty.	Descr.	Obs	From	UpTo
1	24880002P	1	Box			
3	24880001	1	Cover			
4	24880305	2	Spacer			
5	24813500.67	6	Spacer			
6	24880218	2	Shim			
7	24880217	2	Shim			
11	24880301	1	INTERMEDIATE Shaft			
12	24880201	1	Shaft Output			
13A	24882101P	1	Input Shaft			
13B	24883101P	1	Input Shaft			
13C	24884101	1	Input Shaft			
13D	24885101P	1	Input Shaft			
18	24850099	1	Nut			
19	24880222	1	Nut			
20	24810065	1	Plug			
24	24880202	1	Clutch			
25A	24882203	1	Gear R 1,55 / 2,00			
25B	24884203	1	Gear R 2,45 / 2,83			
26A	24883210	1	Gear R 2,00			
26B	24884210	1	Gear R 2,45			
26C	24885210	1	Gear R 2,83			
27	24880302	1	Gear			
28	24880224	1	Flange Output			
30	24880310	1	Nut			
32	24880205	2	CAGE			
34	24830011	1	Plug			
35	24880309	1	Ring			
37	22210103	1	Seal,oil BA 30-47-7			
38	24890214	1	Oil Seal			
40	24880204	2	Bearing, needle			
41	24880308	1	Washer			



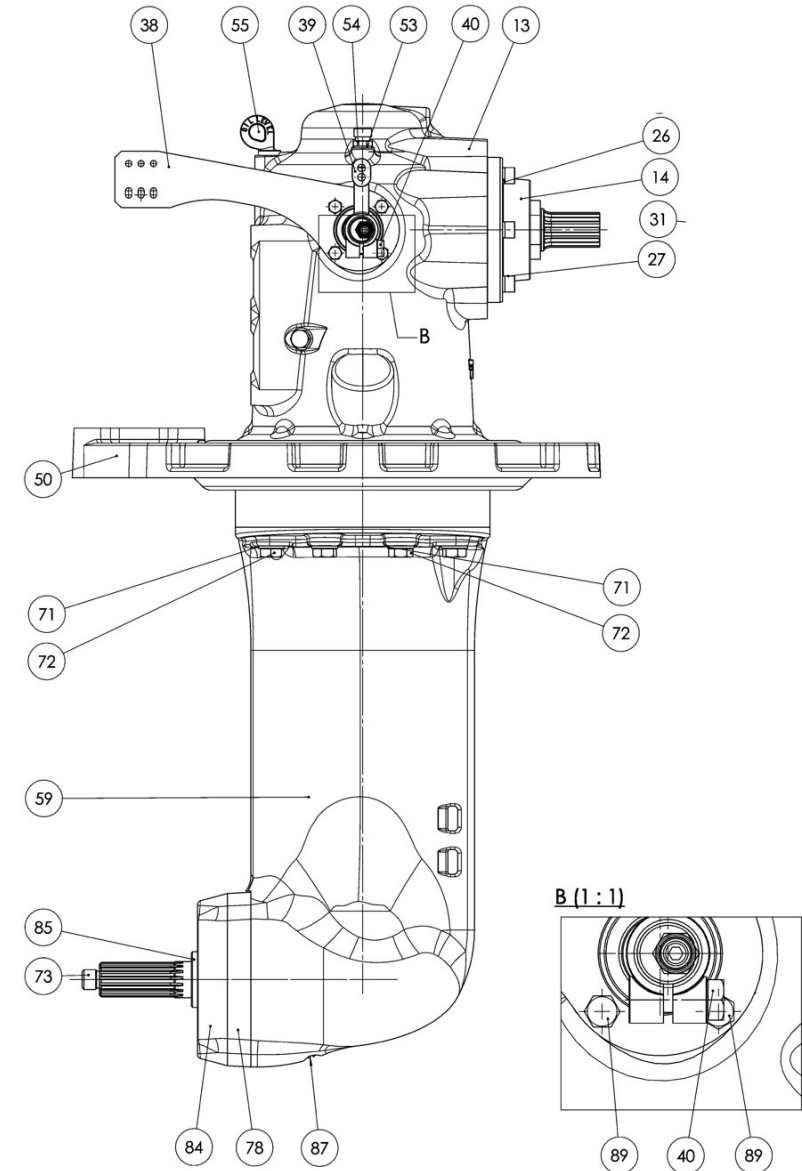
D_5036_2 Sheet 2/2

Fig.	Ref.	Qty.	Descr.	Obs	From	UpTo
42	24810063	2	Plane Washer			
43	56000083	1	Washer 21-26-1,5			
45	51030014	1	Washer DIN 125-14			
47	53033014	1	Washer GROWER DIN 127-14			
48	24850093	10	Washer			
50	24860023	2	Pin			
55	24860206	2	Conical Roller Bearing 32005			
56	25710104	4	Conical Roller Bearing 32206-J2/Q			
58	24880307	1	Nut			



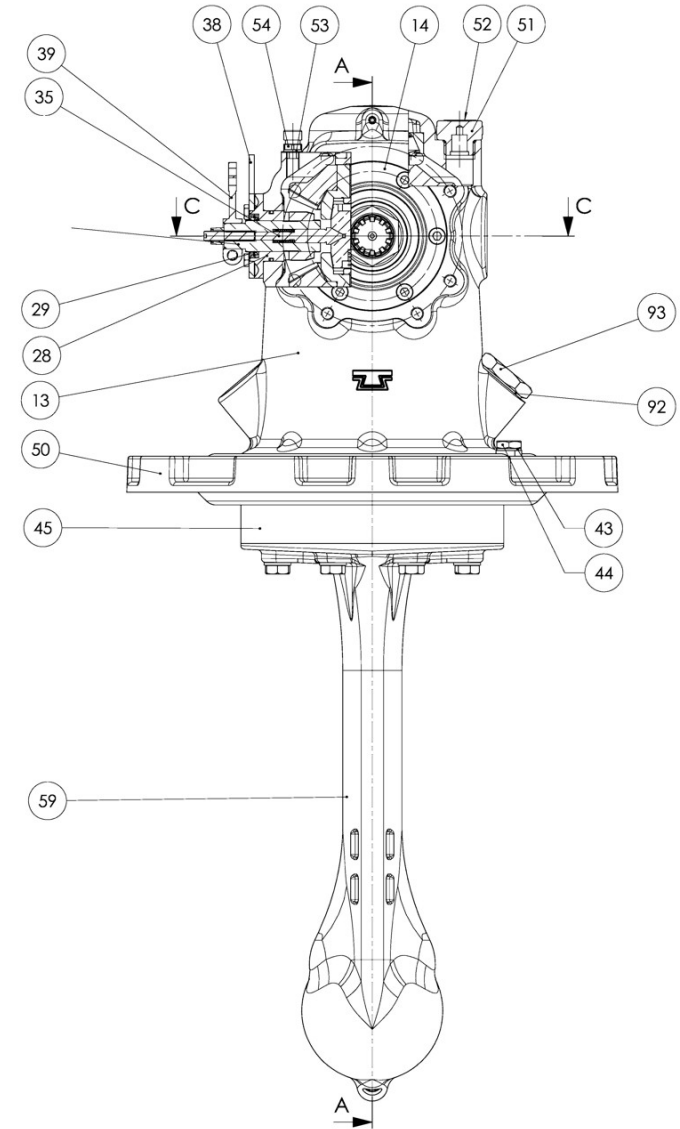
D_5037_1 Sheet 1/4 SP60 S.Drive V1

Fig.	Ref.	Qty.	Descr.	Obs	From	UpTo
13	24813500.13.1	1	Body			
26	24813500.26	6	Washer			
27	52103259	6	Bolt DIN 912 M8-30 8.8			
38	24813500.38	1	Bracket Control			
39	24810424	1	Lever			
40	52102258	1	Bolt DIN 933 M8-25 8.8			
50	24813500.50	1	Flange CLOSING MEMBRANE			
53	24810063	2	Plane Washer			
54	24810065	1	Plug			
55	24813500.55	1	Gauge Oil LEVEL			
59	24813500.59	1	Body			11/05/2020
71	24830223	8	Washer			
72	24813500.72	8	Screw			
73	24813500.73	1	Propeller Shaft			
78	24813500.78	1	Body			
84	24813500.84	1	Anode SP60 (Saltwater)			
85	24813500.85	1	Spacer			
87	24813500.87	1	Plug,oil drain			
89	52102154	4	Bolt DIN 933 M6-10 8.8			



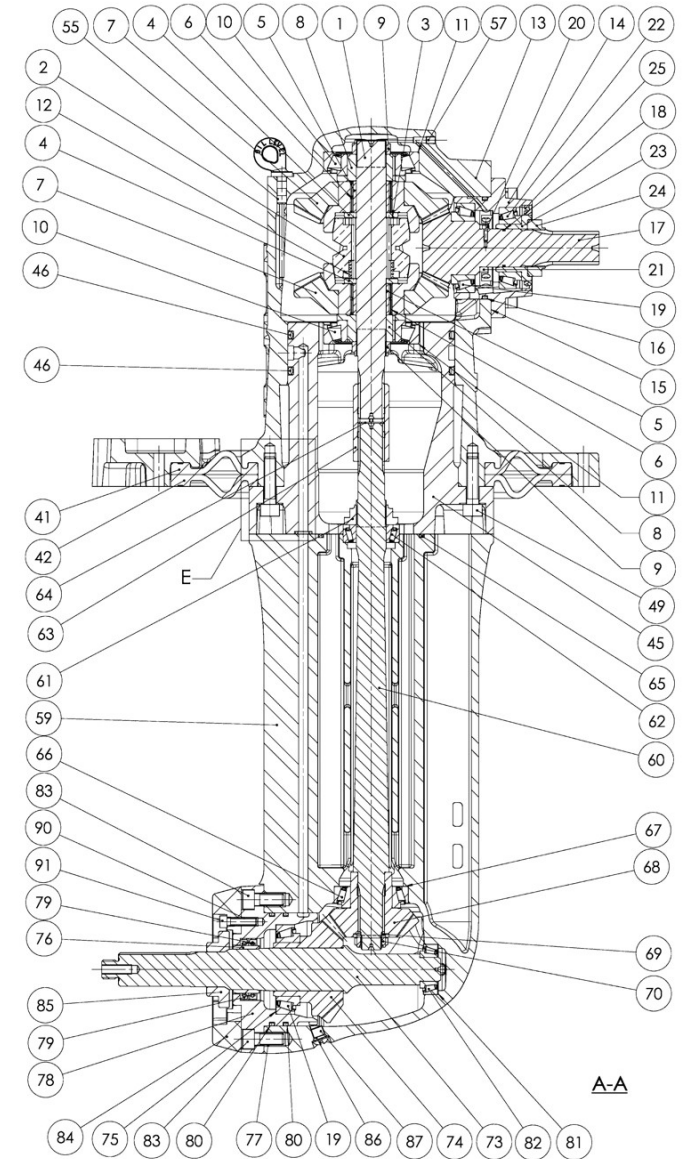
D_5037_2 Sheet 2/4 SP60 S.Drive V1

Fig.	Ref.	Qty.	Descr.	Obs	From	UpTo
14	24813500.14	1	Body			
28	24813500.28	1	Body Control			
29	24860404	1	Oil Seal			
31	24860402	1	Shaft			
35	24860423	1	PAD			
43	24810522	1	Washer			
44	24813500.44	1	Plug			
45	24813500.45	1	Cover			
51	24813500.51	1	Plug			
52	24860006	1	ATF Oil Plate			
92	24830035	1	Washer			
93	24813500.93	1	Plug			



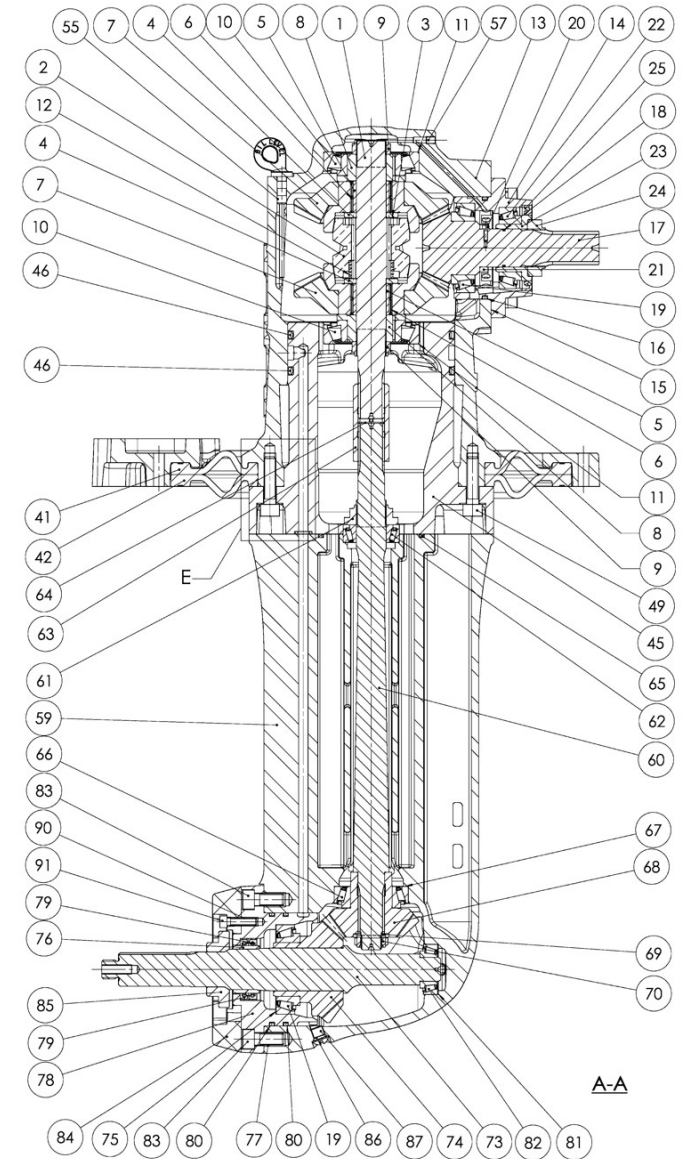
D_5037_3 Sheet 3/4 SP60 S.Drive V1

Fig.	Ref.	Qty.	Descr.	Obs	From	UpTo
1	24813500.01	1	Shaft,Output			
2	24813500.02	1	Cone Clutch			
3	24813500.03	4	Spacer			
4	24860217	2	Spacer			
5	24813500.05	2	Ring,Bearing			
6	24813500.06	4	Bearing, needle			
7	24813500.07	2	Gear			
8	24813500.08	2	Cover			
9	24813500.09	2	Nut			
10	24813500.10	2	Bearing			
11	24810333	2	Spacer			
12	24813500.12	1	Spring			
17	24813500.17	1	Shaft			
20	24813500.20	1	Screw			
41	24813500.41	1	Gasket			
42	24813500.42	1	Gasket			
46	24813500.46	2	O-Ring			
57	24810506	1	Screw			
60	24813500.60	1	Shaft			
61	24813500.61	1	Ring			
62	24860206	1	Conical Roller Bearing 32005			
63	24813500.63	1	Guide			
64	24813500.64	1	CIRClip			
65	24813500.65	1	O-Ring			
66	24813500.66	1	Bearing			
67	24813500.67	2	Spacer			
68	24813500.68	1	Gear			
69	24813500.69	2	Washer			
70	24813500.70	1	Nut			
74	24813500.74	1	Gear			
75	24850108	2	Shim Adjusting			



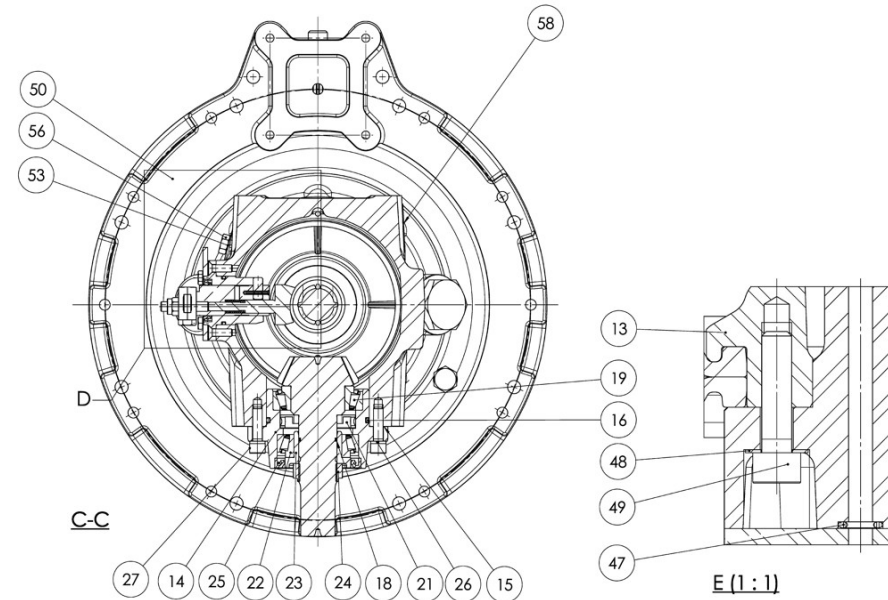
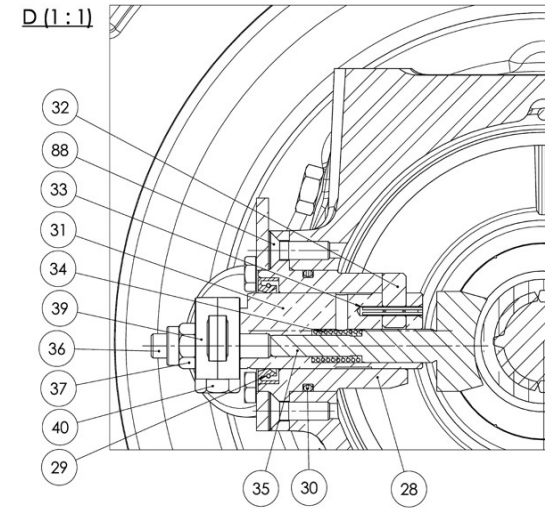
D_5037_3 Sheet 3/4 SP60 S.Drive V1

Fig.	Ref.	Qty.	Descr.	Obs	From	UpTo
76	24813500.76	1	Bushing			
77	24813500.77	2	HELICOil			
79	24813500.79	2	Oil Seal			
80	24813500.80	2	O-Ring D. 90X3,5			
81	24813500.81	3	Spacer			
82	24813500.82	1	Bearing			
83	24813500.83	2	Screw			
86	24813500.86	1	O-Ring D. 8X1,5			
90	24813500.90	3	HELICOil			
91	24813500.91	3	Screw			



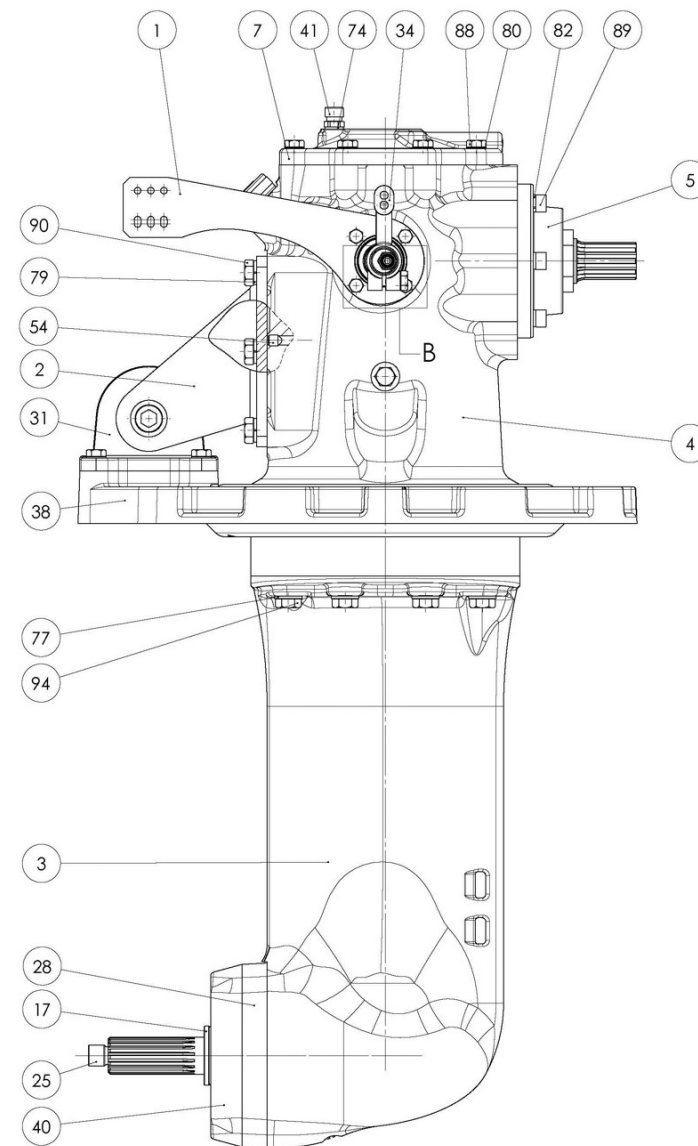
D_5037_4 Sheet 4/4 SP60 S.Drive V1

Fig.	Ref.	Qty.	Descr.	Obs	From	UpTo
15	24813500.15	2	Spacer			
16	24813500.16	1	O-Ring			
18	24813500.18	1	O-Ring			
19	24850104	2	Conical Roller Bearing 32009-X			
21	24813500.21	1	Impeller			
22	24813500.22	1	Bearing			
23	24813500.23	1	Cover			
24	24813500.24	1	Nut			
25	24813500.25	1	Oil Seal			
30	24860417	1	O-Ring			
32	24860419	1	Pin			
33	53052210	1	Pin DIN 1481 3-20			
34	24860411	1	Spring			
36	24860409	1	Screw			
37	51123008	1	Nut DIN 985 M8 5.6			
47	24813500.47	1	O-Ring			
48	24813500.48	8	Washer			
49	24813500.49	8	Screw			
56	24850011	1	Plug,oil drain			
58	24850005	1	Plate, IDENTIFICATION			
88	24813500.88	4	Screw			



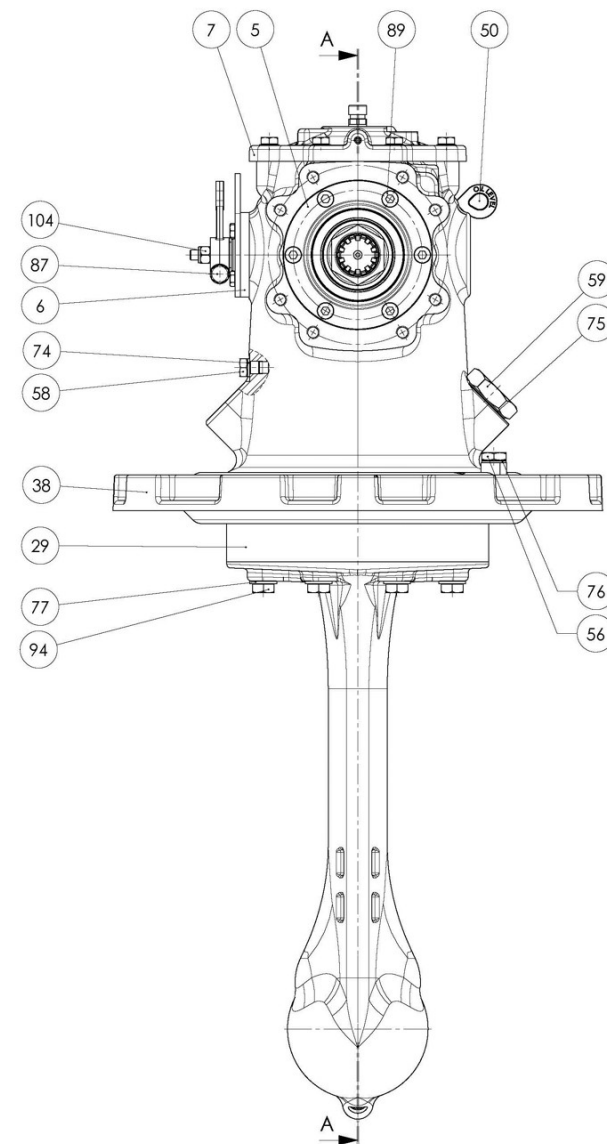
D_5037_6 Sheet 1/4 SP60 S.Drive V2

Fig.	Ref.	Qty.	Descr.	Obs	From	UpTo
1	24813500.38	1	Bracket Control		27/09/2016	
2	24813500.95	1	Bracket		27/09/2016	
3	24813500.59	1	Body		27/09/2016	11/05/2020
4	24813500.13.1	1	Body		27/09/2016	
5	24813500.14	1	Body		27/09/2016	
7	24813500.104.1	1	Body		27/09/2016	
17	24813500.94	1	Spacer		27/09/2016	
25	24813500.73	1	Propeller Shaft		27/09/2016	
28	24813500.78	1	Body		27/09/2016	
31	24813500.96	1	Flexible		27/09/2016	
34	24810424	1	Lever		27/09/2016	
38	24813500.50	1	Flange CLOSING MEMBRANE		27/09/2016	
40	24813500.116	1	Zinc Anode		27/09/2016	
41	24810065	1	Plug		27/09/2016	20/05/2020
41	T4589038	1	Vent Plug 3/8" Gas		20/05/2020	
54	24813500.123	1	Screw		27/09/2016	
74	24810063	1	Plane Washer		27/09/2016	20/05/2020
77	24813500.126	8	Washer		27/09/2016	
79	53033010	6	Washer GROWER DIN 127-10			
80	24850093	12	Washer		27/09/2016	
82	24813500.26	6	Washer		27/09/2016	
88	52102259	12	Bolt DIN 933 M8-30 8.8			
89	52103259	6	Bolt DIN 912 M8-30 8.8			
90	52102309	6	Bolt DIN 933 M10-30 8.8			



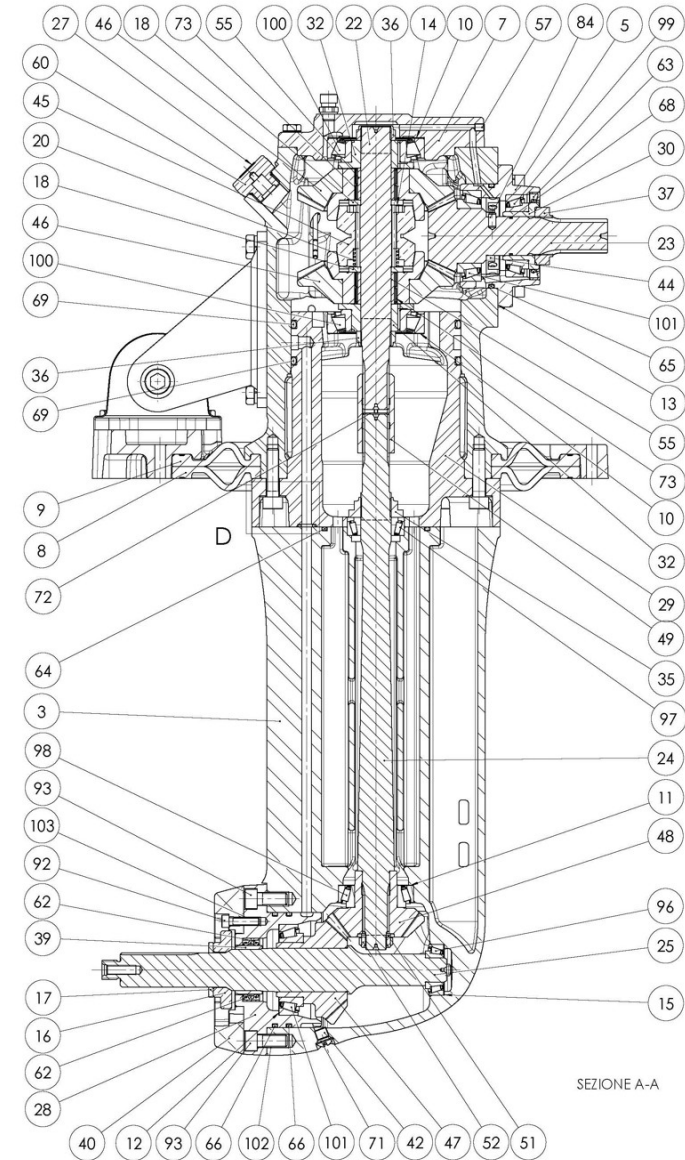
D_5037_7 Sheet 2/4 SP60 S.Drive V2

Fig.	Ref.	Qty.	Descr.	Obs	From	UpTo
6	24813500.28	1	Body Control		27/09/2016	
29	24813500.45	1	Cover		27/09/2016	
50	24813500.121	1	Gauge Oil Level		27/09/2016	
56	24813500.124	1	Plug		27/09/2016	
58	24850011	1	Plug,oil drain		27/09/2016	
59	24813500.93	1	Plug		27/09/2016	
75	24830035	1	Washer		27/09/2016	
76	24810522	1	Washer		27/09/2016	
87	52102258	1	Bolt DIN 933 M8-25 8.8			
94	24813500.72	8	Screw		27/09/2016	
104	24813500.131	1	Nut		27/09/2016	



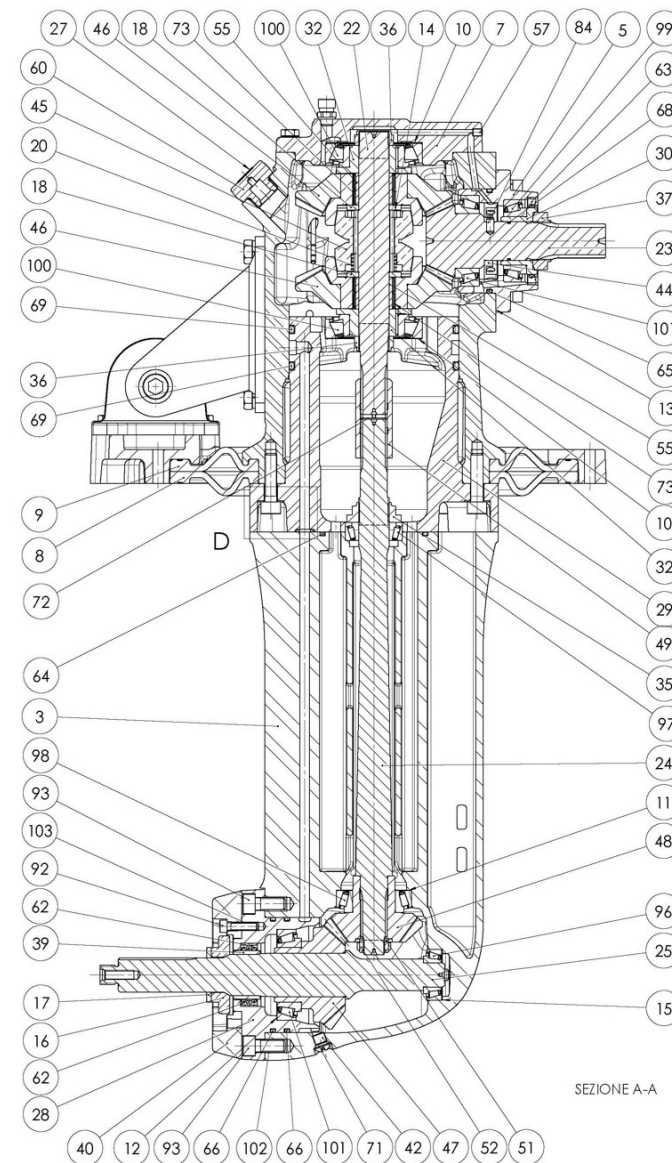
D_5037_8 Sheet 3/4 SP60 S.Drive V2

Fig.	Ref.	Qty.	Descr.	Obs	From	UpTo
8	24813500.42	1	Gasket		27/09/2016	
9	24813500.41	1	Gasket		27/09/2016	
10	24810333	6	Spacer		27/09/2016	
11	24813500.67	2	Spacer		27/09/2016	
12	24850108	2	Shim Adjusting		27/09/2016	
13	24813500.15	2	Spacer		27/09/2016	
14	24813500.03	4	Spacer			
15	24813500.81	3	Spacer		27/09/2016	
16	24813500.85	1	Spacer		27/09/2016	
18	24860217	2	Spacer		27/09/2016	
20	24813500.12	1	Spring		27/09/2016	
22	24813500.114	1	Shaft, Output		27/09/2016	
23	24813500.17	1	Shaft		27/09/2016	
24	24813500.60	1	Shaft		27/09/2016	
27	24860006	1	ATF Oil Plate		27/09/2016	
30	24813500.23	1	Cover		27/09/2016	
32	24813500.115	2	Bearing Support		27/09/2016	
35	24813500.61	1	Ring		27/09/2016	
36	24813500.09	2	Nut		27/09/2016	
37	24813500.24	1	Nut		27/09/2016	
39	24813500.76	1	Bushing		27/09/2016	
42	24813500.87	1	Plug,oil drain		27/09/2016	
44	24813500.21	1	Impeller		27/09/2016	
45	24813500.02	1	Cone Clutch		27/09/2016	
46	24813500.117	2	Gear		27/09/2016	
47	24813500.118	1	Gear		27/09/2016	
48	24813500.119	1	Pinion		27/09/2016	
49	24813500.63	1	Guide			
51	24813500.69	2	Washer			
52	24813500.70	1	Nut		27/09/2016	
55	24813500.05	2	Ring,Bearing		27/09/2016	



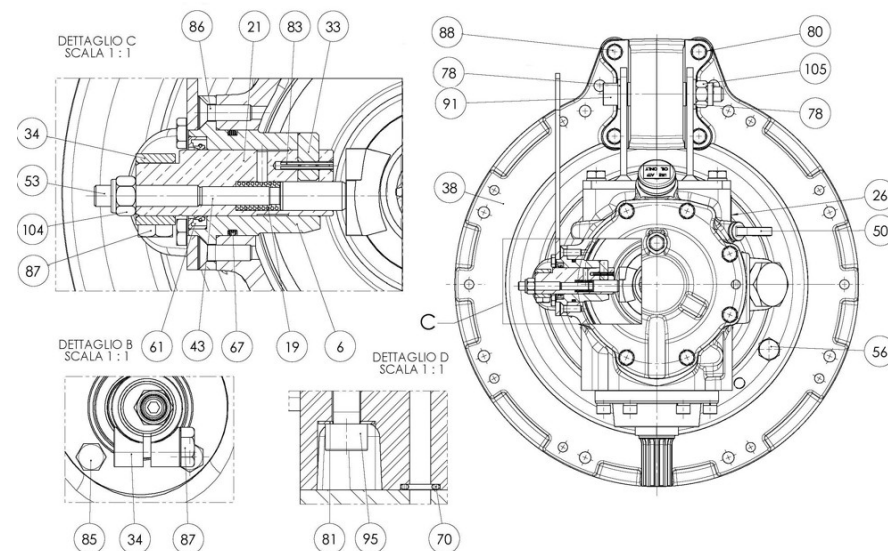
D_5037_8 Sheet 3/4 SP60 S.Drive V2

Fig.	Ref.	Qty.	Descr.	Obs	From	UpTo
57	24810326	1	Plug		27/09/2016	
60	24813500.125	1	Plug		27/09/2016	
62	24813500.79	2	Oil Seal		27/09/2016	
63	24813500.25	1	Oil Seal		27/09/2016	
64	24813500.65	1	O-Ring		27/09/2016	
65	24813500.16	1	O-Ring		27/09/2016	
66	24813500.80	2	O-Ring D. 90X3,5		27/09/2016	
68	24813500.18	1	O-Ring		27/09/2016	
69	24813500.46	2	O-Ring		27/09/2016	
71	24813500.86.1	1	O-Ring		27/09/2016	
72	24813500.64	1	CIRClip		27/09/2016	
73	24813500.06	4	Bearing, needle		27/09/2016	
84	24813500.128	1	Pin		27/09/2016	
92	24813500.91	3	Screw		27/09/2016	
93	24813500.83	2	Screw		27/09/2016	
96	24813500.82	1	Bearing		27/09/2016	
97	24860206	1	Conical Roller Bearing 32005		27/09/2016	
98	24813500.66	1	Bearing		27/09/2016	
99	24813500.22	1	Bearing		27/09/2016	
100	24813500.10	2	Bearing		27/09/2016	
101	24850104	2	Conical Roller Bearing 32009-X		27/09/2016	
102	24813500.77	2	HELICOil		27/09/2016	
103	24813500.90	3	HELICOil		27/09/2016	



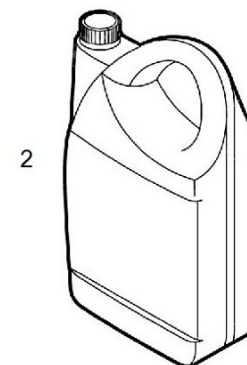
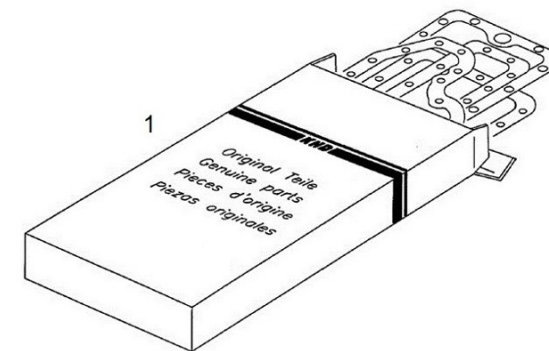
D_5037_9 Sheet 4/4 SP60 S.Drive V2

Fig.	Ref.	Qty.	Descr.	Obs	From	UpTo
19	24860411	1	Spring		27/09/2016	
21	24860402	1	Shaft		27/09/2016	
26	24850005	1	Plate, IDENTIFICATION		27/09/2016	
33	24860419	1	Pin		27/09/2016	
43	24860423	1	PAD		27/09/2016	
53	24860409	1	Screw		27/09/2016	
61	24860404	1	Oil Seal		27/09/2016	
67	24860417	1	O-Ring		27/09/2016	
70	24813500.47	1	O-Ring		27/09/2016	
78	51030014	2	Washer DIN 125-14			
81	24813500.48	8	Washer			
83	53052210	1	Pin DIN 1481 3-20			
85	52102154	4	Bolt DIN 933 M6-10 8.8			
86	24813500.88	4	Screw			
91	24813500.98	1	Bolt		27/09/2016	
95	24813500.49	8	Screw		27/09/2016	
105	24813500.99	1	Nut		27/09/2016	



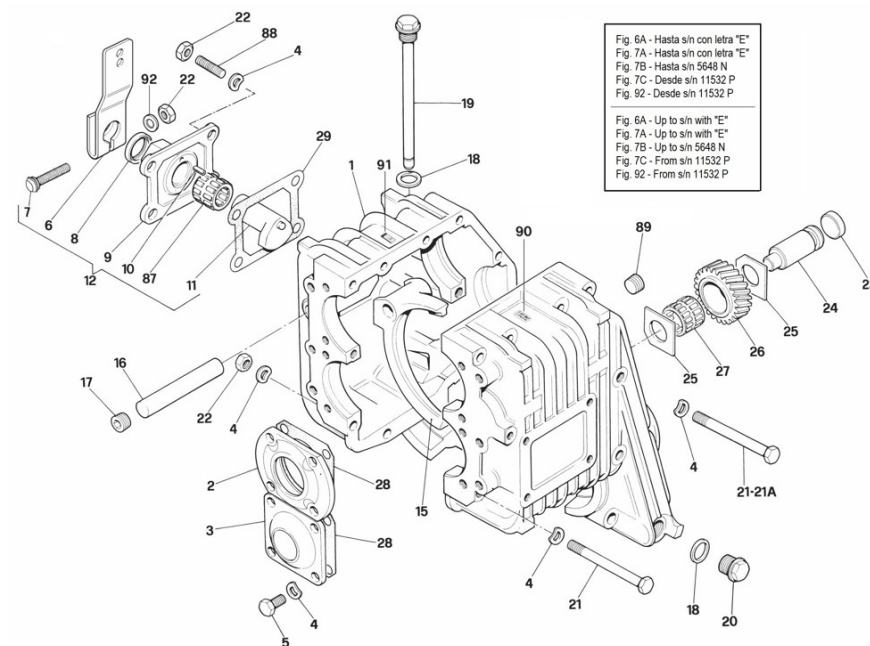
D_5037_5 Maintenance Kit

Fig.	Ref.	Qty.	Descr.	Obs	From	UpTo
1	24813401	1	Kit Gasket			
2	A0201000	3	ATF Sole Diesel Oil 1L			
NS	24813500.84	1	Anode SP60 (Saltwater)			
NS	T2050044	1	Aluminum Anode (Fresh Water) SP60			



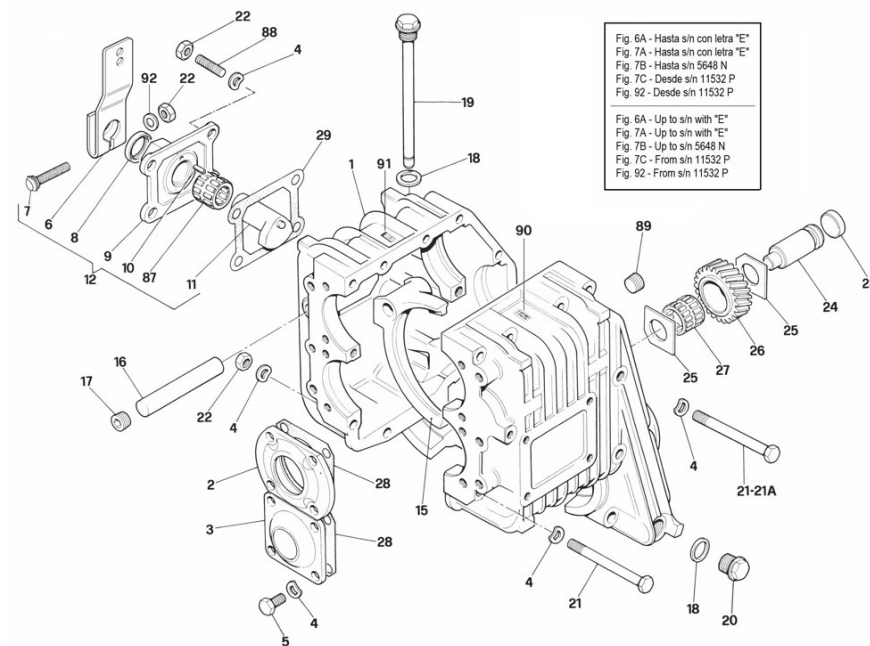
D_50Z2_1 Sheet 1/2

Fig.	Ref.	Qty.	Descr.	Obs	From	UpTo
1	24610030	1	Housing Assy			
2	24610031	1	Cover			
3	24610032	1	Cover			
4	24610033	37	Spring Washer			
5	24610034	8	Hex Screw			
6A	24610401	1	Actuating Lever			
6B	24610402	1	Actuating Lever			
7A	24610403	1	Hex Head Screw			
7B	24610404	1	Cap Screw M8X40			
7C	24610405	1	Screw (Actuating Lever)			
8	24610406	1	Shaft Seal Ring			
9	24610407	1	Cover			
10	24610408	1	Dowel Pin			
11	24610409	1	Actuating Cam Assembly			
12	24610400	1	Shift Cover Assembly			
15	24610411	1	Shift Fork			
16	24610035	1	Shift Rod			
17	24610036	1	Plug			
18	24610037	1	Sealing Ring			
19	24610038	1	Dipstick			
20	24610039	1	Oil Drain Plug			
21	24610040	14	Hex Screw			
22	24610041	16	Hex Nut			
23	24610042	1	Plug			
24	24610301	1	Intermediate Shaft			
25	24610302	2	Disc			
26	24610303	1	Intermediate Gear			
27	24610304	1	Needle Bearing			
28	24610043	2	Gasket			
29	24610412	1	Gasket (or Loctite 518)			
87	24610410	2	Needle Bearing			



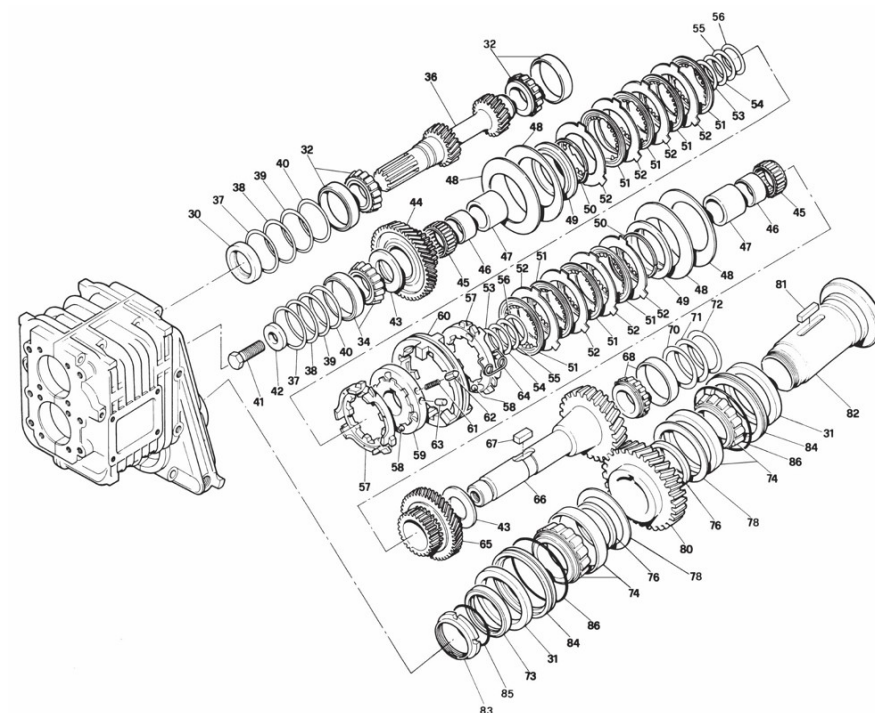
D_50Z2_1 Sheet 1/2

Fig.	Ref.	Qty.	Descr.	Obs	From	UpTo
88	24610044	4	Stud			
89	24610045	4	Plug			
90	24610046	1	Name Plate			
91	24610047	1	Oil Name Plate			
92	24610413	1	Washer			



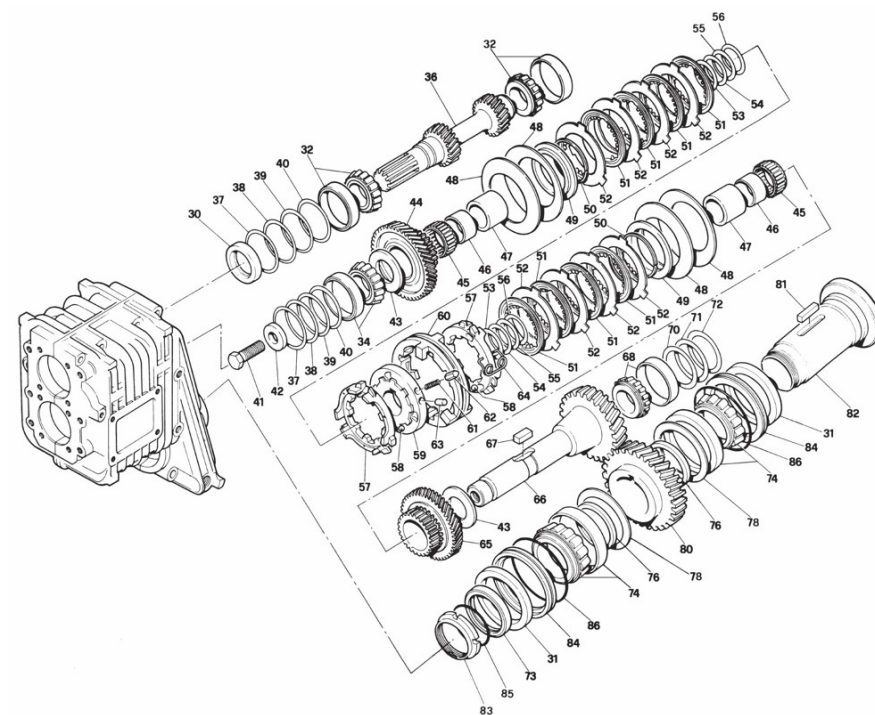
D_50Z2_2 Sheet 2/2

Fig.	Ref.	Qty.	Descr.	Obs	From	UpTo
30	24613430	1	Input Shaft Seal			
31	24613431	2	Output Shaft Seal			
32	24610102	2	Tapered Roller Bearing			
34	24610305	1	Tapered Roller Bearing			
36A	24610103	1	Input Shaft Hbw 150 V 1.8R Z1/Z3=27/22			
36B	24610104	1	Input Shaft Zf 15 Miv 2.13R Z1/Z3=24/22			
36C	24610105	1	Input Shaft Zf 15 Miv 2.72R Z1/Z3=18/22			
36D	24610106	1	Input Shaft Zf 15 Miv 2.99R Z1/Z3=19/22			
37	24610107	2	Shim 0.10 mm			
38A	24610108	2	Shim 0.15 mm			
38B	24610109	2	Shim 0.20 mm			
38C	24610110	2	Shim 0.30 mm			
39	24610111	2	Shim 0.50 mm			
40	24610112	2	Shim 1.00 mm			
41	24610307	1	Hex Head Screw			
42	24610308	1	Spacer			
43	24610309	2	Thrust Ring			
44A	24610310	1	Gear Hbw 150 V - 1.8R «08» Z2=42			
44B	24610311	1	Gear Zf 15 Miv - 2.13R «001» Z2=45			
44C	24610312	1	Gear Zf 15 Miv - 2.72R «003» Z2=43			
44D	24610313	1	Gear Zf 15 Miv - 2.99R «002» Z2=50			
45	24610314	2	Needle Bearing			
46	24610315	2	Needle Bearing			
47	24610316	2	Spacer			
48	24610317	4	Spring			
49	24610318	2	Disc			
50	24610319	4	Ring Half			
51	24610320	8	Internal Clutch Disc			
52	24610321	8	External Clutch Disc			
53A	24610322	2	Shim 0.3 mm			
53B	24610323	2	Shim 0.4 mm			



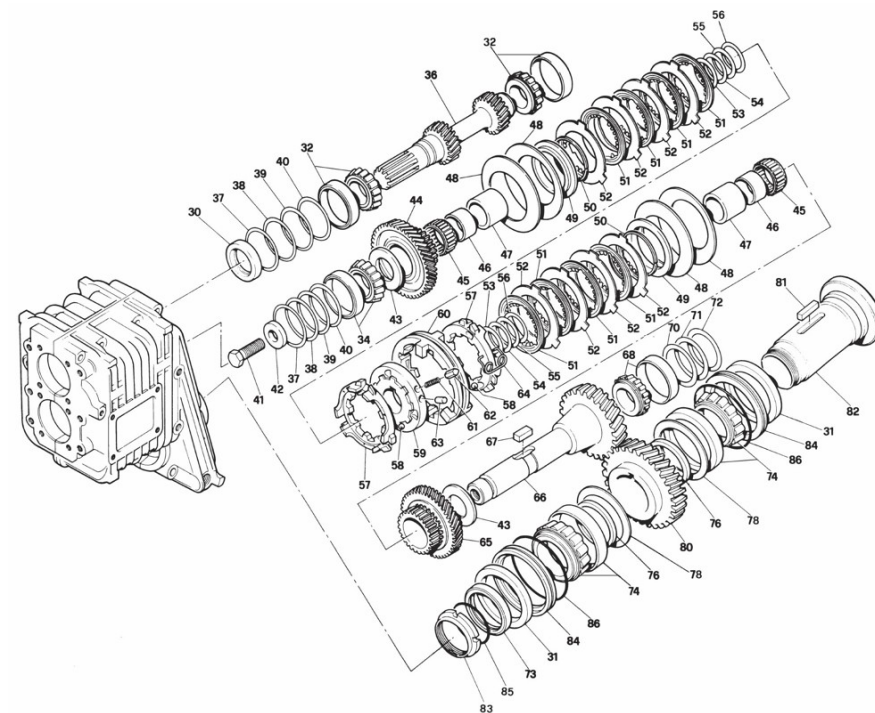
D_50Z2_2 Sheet 2/2

Fig.	Ref.	Qty.	Descr.	Obs	From	UpTo
54	24610324	2	Shim 0.5 mm			
55	24610325	2	Shim 0.6 mm			
56	24610326	2	Shim 0.7 mm			
57	24610327	2	Disc Carrier			
58	24610328	6	Ball			
59	24610329	1	Guide Sleeve			
60	24610330	1	Change Selector			
61	24610331	3	Pressure Spring			
62	24610332	3	Stop Pin			
63	24610333	3	Guide Pin			
64	24610334	3	Torsion Spring			
65	24610335	1	Gear Z5=43			
66	24610336	1	Intermediate Shaft Z6=29			
67	24610337	2	Cotter			
68	24610338	1	Tapered Roller Bearing			
70	24610339	2	Shim 0.1 mm			
71	24610340	1	Shim 0.3 mm			
72	24610341	1	Shim 0.5 mm			
73	24610202	1	Ring			
74	24610203	2	Tapered Roller Bearing			
76	24610204	2	Spacer Ring			
78A	24610205	2	Shim 1.1 mm			
78B	24610206	2	Shim 1.2 mm			
78C	24610207	2	Shim 1.3 mm			
78D	24610208	2	Shim 1.4 mm			
78E	24610209	2	Shim 1.5 mm			
78F	24610210	2	Shim 1.6 mm			
78G	24610211	2	Shim 1.7 mm			
78H	24610212	2	Shim 1.8 mm			
78I	24610213	2	Shim 1.9 mm			
78J	24610214	2	Shim 2.0 mm			



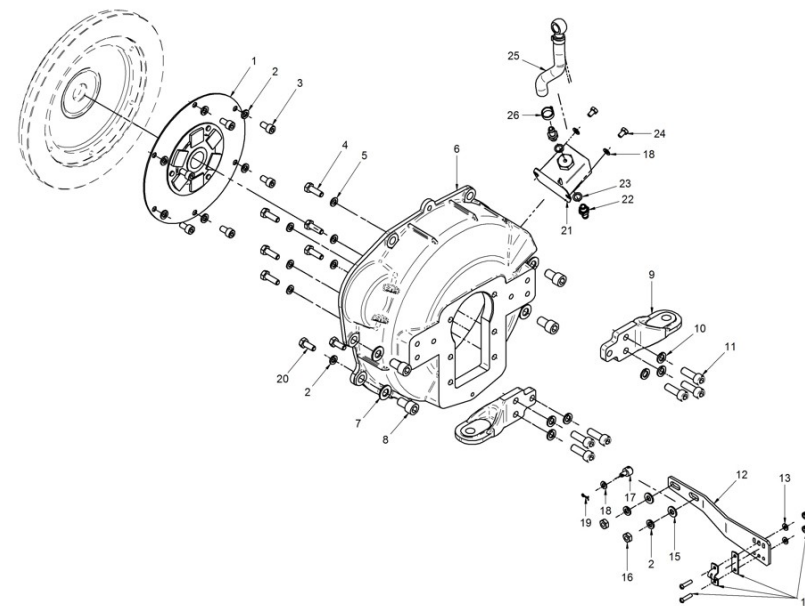
D_50Z2_2 Sheet 2/2

Fig.	Ref.	Qty.	Descr.	Obs	From	UpTo
78K	24610215	2	Shim 2.1 mm			
78L	24610216	2	Shim 2.2 mm			
78M	24610217	2	Shim 2.3 mm			
78N	24610218	2	Shim 2.4 mm			
80	24610219	1	Gear Z=33			
81	24610220	1	Key			
82	24610221	1	Output Shaft			
83	24610222	1	Ring Nut			
84	24610223	2	Ring			
85	24610224	1	O-Ring			
86	24610225	2	O-Ring			



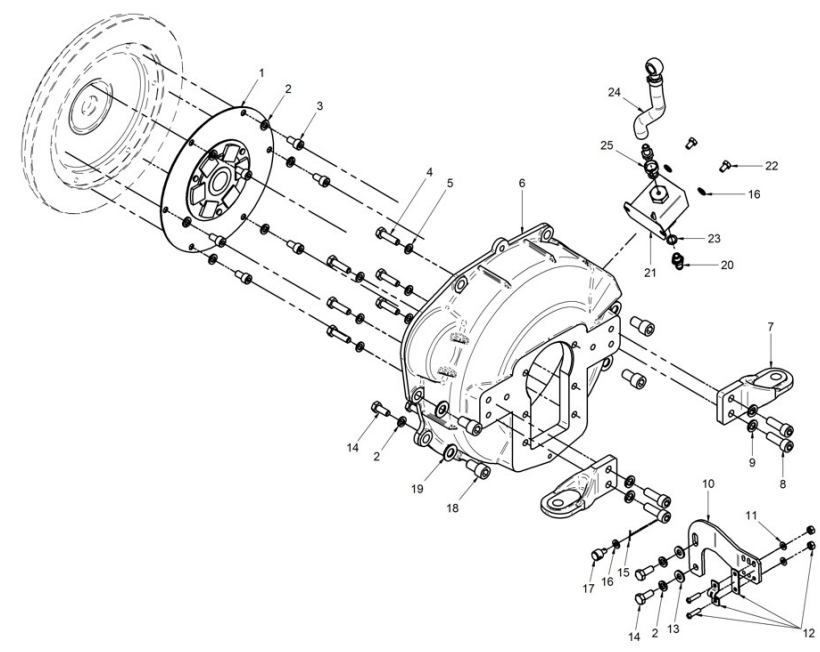
13810107.6 Kit GearBox TMC-40P v6

Fig.	Ref.	Qty.	Descr.	Obs	From	UpTo
1	13810046	1	Flexible coupling type A SAE 6*1/2			
2	53033008	12	Washer GROWER DIN 127-8			
3	52103256	6	Bolt DIN 912 M8-16 8.8			
4	52102259	6	Bolt DIN 933 M8-30 8.8			
5	53038008	6	Washer DIN 6798-A 8			
6	13810056	1	Engine adaptor			
7	53038012	4	Washer DIN 6798-A 12			
8	53203357	4	Bolt DIN 912 M12-1,25-20 12.9			
9	13810037	2	Support REAR			
10	53033010	6	Washer GROWER DIN 127-10			
11	52103309	6	Bolt DIN 912 M10-30 8.8			
12	24810901	1	Bracket, GearBox Control			
13	51030005	2	Washer DIN 125-5			
14	24810913	1	Clamp,CABLE			
15	51030008	2	Washer DIN 125-8			
16	52120008	2	Nut DIN 934 M8 8.8			
17	14719115	1	Coupling,cable			
18	51030006	3	Washer DIN 125-6			
19	51051107	1	Pin DIN-94 1,6-16			
20	52102257	4	Bolt DIN 933 M8-20 8.8			
21	13814070	1	Electric Fuel Feed Pump 12V			
22	13814072	2	Straight Hose Connector 1/8" NPTF			
23	57000361	2	Washer 10-14-1,5			
24	52102154	2	Bolt DIN 933 M6-10 8.8			
25	13814017.5	1	Fuel Pump Hose			
26	51086015	1	One Ear Clamp With Interior Ring 13-15,3			
NS	58088283	1	Pastic Cable Zip Tie			
NS	60900126	1	TERMINAL			



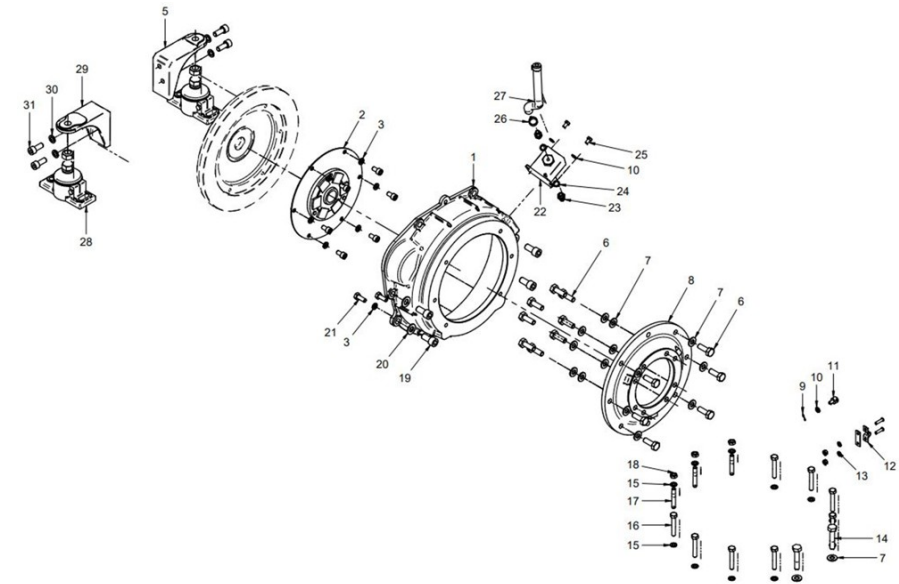
13810241.6 Kit GearBox TMC-60

Fig.	Ref.	Qty.	Descr.	Obs	From	UpTo
1	13810046	1	Flexible coupling type A SAE 6"1/2			
2	53033008	12	Washer GROWER DIN 127-8			
3	52103256	6	Bolt DIN 912 M8-16 8.8			
4	52101259	6	Bolt DIN 931 M8-30 8.8			
5	53038008	6	Washer DIN 6798-A 8			
6	13810056	1	Engine adaptor			
7	13810037.1	2	Support REAR			
8	52103309	4	Bolt DIN 912 M10-30 8.8			
9	53033010	4	Washer GROWER DIN 127-10			
10	24880901	1	Bracket, GearBox Control			
11	51030005	2	Washer DIN 125-5			
12	24810913	1	Clamp,CABLE			
13	51030008	2	Washer DIN 125-8			
14	52102257	6	Bolt DIN 933 M8-20 8.8			
15	51051107	1	Pin DIN-94 1,6-16			
16	51030006	3	Washer DIN 125-6			
17	14719115	1	Coupling,cable			
18	53203357	4	Bolt DIN 912 M12-1,25-20 12.9			
19	53038012	4	Washer DIN 6798-A 12			
20	13814072	2	Straight Hose Connector 1/8" NPTF			
21	13814070	1	Electric Fuel Feed Pump 12V			
22	52102154	2	Bolt DIN 933 M6-10 8.8			
23	57000361	2	Washer 10-14-1,5			
24	13814017.5	1	Fuel Pump Hose			
25	51086015	1	One Ear Clamp With Interior Ring 13-15,3			
NS	58088283	1	Pastic Cable Zip Tie			
NS	60900126	1	TERMINAL			



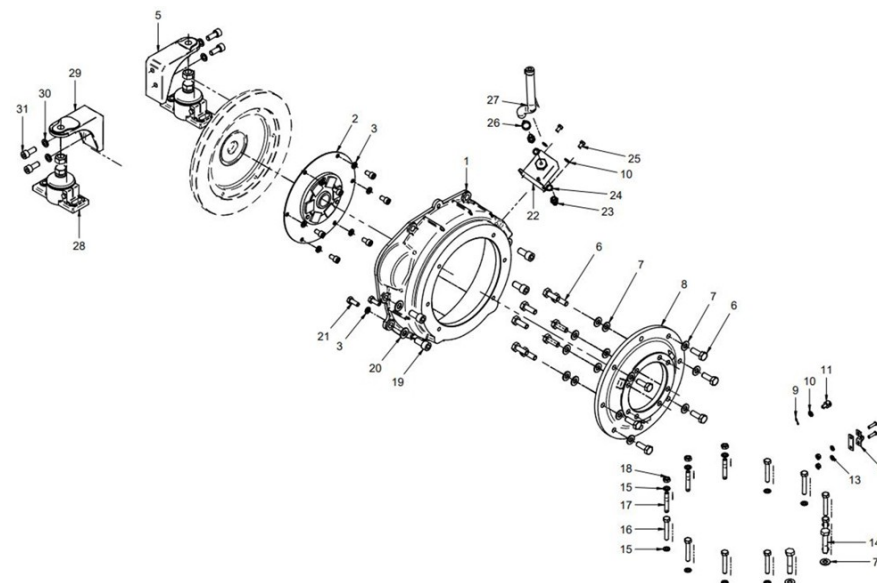
13832101T Kit S-Drive TECHNO.SP60

Fig.	Ref.	Qty.	Descr.	Obs	From	UpTo
1	13810090	1	Engine Adaptor SAE7			
2	13810046	1	Flexible coupling type A SAE 6"1/2			
3	53033008	10	Washer GROWER DIN 127-8			
4	52103256	6	Bolt DIN 912 M8-16 8.8			
5	13810001.1	1	Bracket Front, Left			
6	52102309	14	Bolt DIN 933 M10-30 8.8			
7	53038010	16	Washer DIN 6798-A 10			
8	24813501	1	SAE 7 - BW Bell Housing			
9	51051107	1	Pin DIN-94 1,6-16			
10	51030006	3	Washer DIN 125-6			
11	14719115	1	Coupling,cable			
12	24810913	1	Clamp,CABLE			
13	51030005	2	Washer DIN 125-5			
14	52101313	2	Bolt DIN 931 M10-50 8.8			
15	53038008	11	Washer DIN 6798-A 8			
16	52101263	8	Bolt DIN 931 M8-50 8.8			
17	40019030	3	Stud			
18	52120008	3	Nut DIN 934 M8 8.8			
19	53203358	4	Bolt DIN 912 M12-1,25-25 12.9			
20	53038012	4	Washer DIN 6798-A 12			
21	52102257	4	Bolt DIN 933 M8-20 8.8			
22	13814070	1	Electric Fuel Feed Pump 12V			
23	13814072	2	Straight Hose Connector 1/8" NPTF			
24	57000361	2	Washer 10-14-1,5			
25	52102154	2	Bolt DIN 933 M6-10 8.8			
26	51086015	1	One Ear Clamp With Interior Ring 13-15,3			
27	13814017.5	1	Fuel Pump Hose			
28	61631100	2	Engine Mount Type A 50 SHA M14 H 108			
29	13810002.1	1	RIGHT, front bracket			
30	53033010	4	Washer GROWER DIN 127-10			
31	52203308	4	Bolt DIN 912 M10-1,25-25 12.9 Blued			



13832101T Kit S-Drive TECHNO.SP60

Fig.	Ref.	Qty.	Descr.	Obs	From	UpTo
37	60900126	1	TERMINAL			
NS	13211035	1	Exhaust Manifold Outlet Bend			
NS	17211036	1	Raccord			
NS	54081020	2	Clamp DIN 3017 20-32/9 W4			
NS	58088283	3	Pastic Cable Zip Tie			
NS	60121005	1	Water Trainer 1/2"			
NS	M87501927	1	Water Intake Hose (HQ) D. 19-27			



17610230.6 Kit GearBox ZF 15 MIV

Fig.	Ref.	Qty.	Descr.	Obs	From	UpTo
1	13810046	1	Flexible coupling type A SAE 6"1/2			
2	53033008	12	Washer GROWER DIN 127-8			
3	52103256	6	Bolt DIN 912 M8-16 8.8			
4	52102308	6	Bolt DIN 933 M10-25 8.8			
5	53038010	6	Washer DIN 6798-A 10			
6	17610017	1	Engine Adaptor			
7	13810037.3	1	Rear, Bracket			
8	53033010	4	Washer GROWER DIN 127-10			
9	52102309	4	Bolt DIN 933 M10-30 8.8			
10	52105307	2	Bolt DIN 7991 M10-20 10.9			
11	51030008	2	Washer DIN 125-8			
12	52120008	2	Nut DIN 934 M8 8.8			
13	14719115	1	Coupling,cable			
14	51030006	3	Washer DIN 125-6			
15	51051107	1	Pin DIN-94 1,6-16			
16	51030005	2	Washer DIN 125-5			
17	24810913	1	Clamp,CABLE			
18	24610901	1	Bracket, GearBox Control			
19	53203357	4	Bolt DIN 912 M12-1,25-20 12.9			
20	53038012	4	Washer DIN 6798-A 12			
21	13810037.2	1	Rear, Bracket			
22	52102257	4	Bolt DIN 933 M8-20 8.8			
23	13814070	1	Electric Fuel Feed Pump 12V			
24	13814072	2	Straight Hose Connector 1/8" NPTF			
25	57000361	2	Washer 10-14-1,5			
26	52102154	2	Bolt DIN 933 M6-10 8.8			
27	13814017.5	1	Fuel Pump Hose			
28	51086015	1	One Ear Clamp With Interior Ring 13-15,3			
NS	58088283	1	Pastic Cable Zip Tie			
NS	60900126	1	TERMINAL			

