



Part list

Genset 68 GT/GTC & 84 GTA/GTAC TAC



PARTS LIST CATALOGUE

NORMS TO PLACE AN ORDER

For fast and more efficient service, please specify the following information on spare parts orders that must be preferably done by e-mail as specified below:

- 1- Engine model: As shown in identification plate
- 2- Engine serial number: As shown in identification plate and stamped on crankcase
- 3- Item description + part number + quantity required

Spare parts requests must be addressed to :

orders@soleadvance.com

Tel.: +34 93 775 44 05

The components shown in the catalog have:

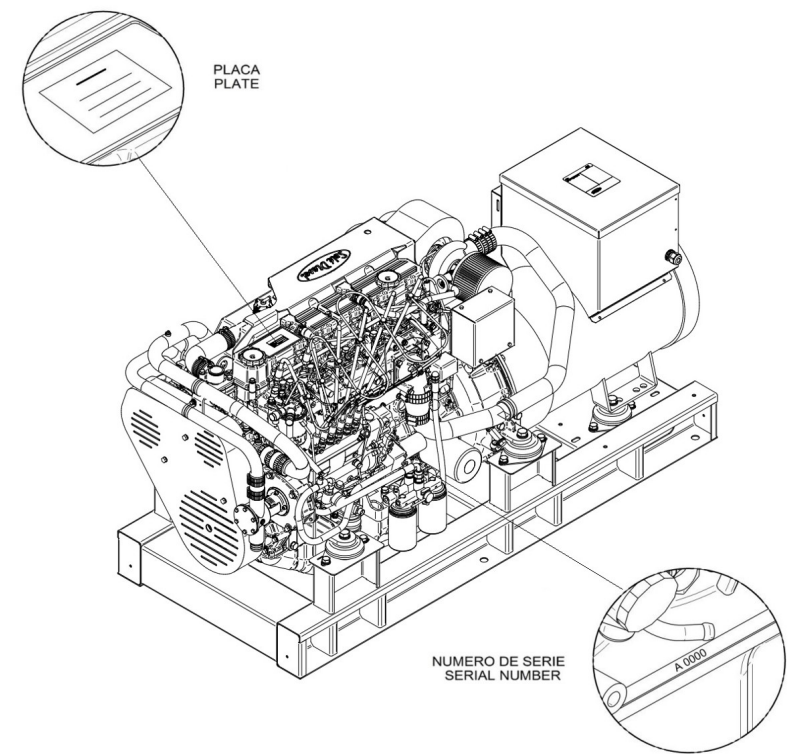
- Figure: Number by which they are represented in scheme
 - Description: Trade name of the component
 - Quantity: Total number of parts used in the assembly of the part represented (may differ from the total minimum quantities)
- Hoses, indicates the total length in meters
-

The diagrams shown in this catalog of spare parts, have only the purpose to identify the piece in question, its representation is not meaningful and may differ from the actual piece.

In case of doubt, contact Solé Advance, or your authorized dealer.

The parts i / or references in this catalog are subject to change without notice.

SOLÉ, S.A.
C-243b, km, 2
08760 Martorell (Barcelona) Spain



Index

Engine Body

Cylinder Head
Rocker Cover & Breather
Valve Drive
Timing Parts
Gear Case
Crankcase
Rear Plate
Piston & Connectiong Rod
Crankshaft & Flywheel
Oil System
Oil Pan
Engine Brackets
Drive Belt Guard For Genset Without Cabin

Inlet & Exhaust

Inlet
Turbocharger

Cooling System

Water Pump
Cooler Pipes
Water Cooler Assy SM-81 TAC (R)
Cross Brace Pump 1" SM-82/94 Gen.SM-81
Wet Exhaust

Fuel System

Fuel Pipe And Fuel Leak Alarm
Injection Nozzle
Governor Parts
Kit 2nd Fuel Filter TAC

Electrical System

Electrical System 12V
Electrical System 24V

Parallel Control System 12V
Parallel Control System 24V
Control and Power Cabinets
Genset Extension TAC

Genset Alternator Spare Parts

Alternators 68 GT/GTC AND 84 GTA/GTAC
Spare Part List Alternator Type C
Spare Part List Alternator Type B Upto 29/12/2021

Genset Alternator Kit

Alternator Kit Without Cabin
Alternator Kit With Cabin (400/230V & 480/277V)
Alternator Kit With Cabin (230V & 240V)

Chassis Spare Parts

SM-81 Engine Bed

Canopy Spare Parts

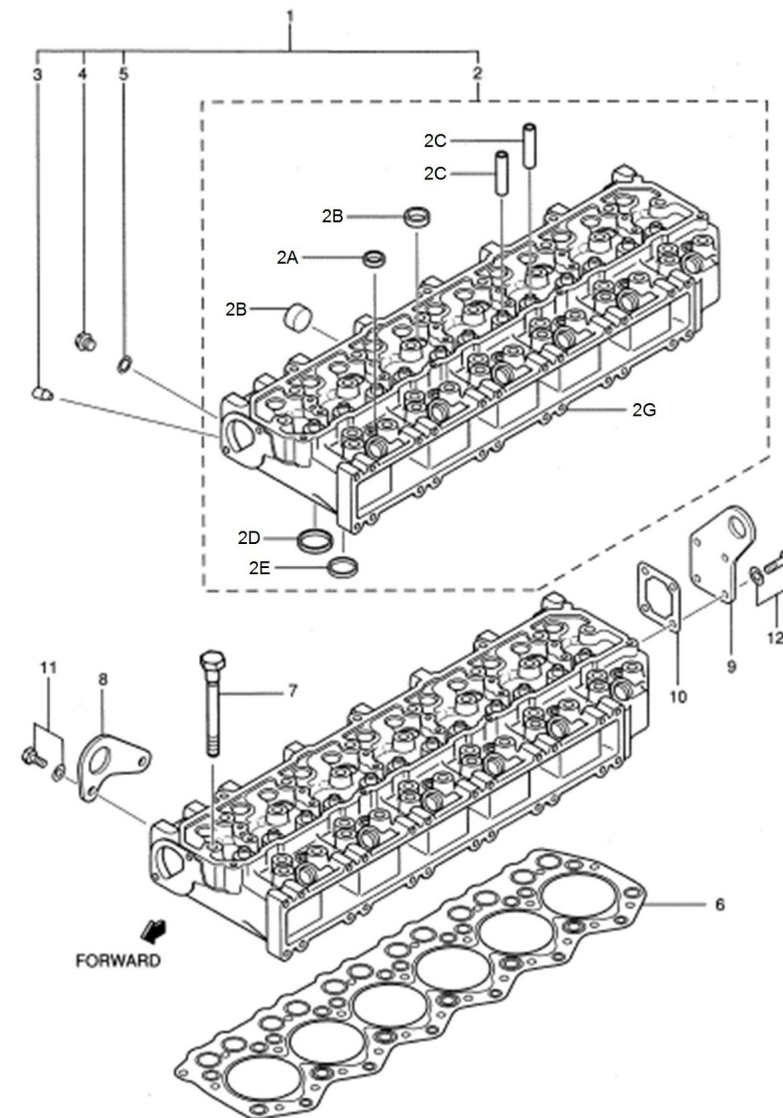
Canopy
Cabin Kit

Maintenance Kit

Pipe Rubber Set,Water Line SM-81 (TAC)
Gasket Kit
Repair Kit Water Pump 1"
Special Tools
Special Tools

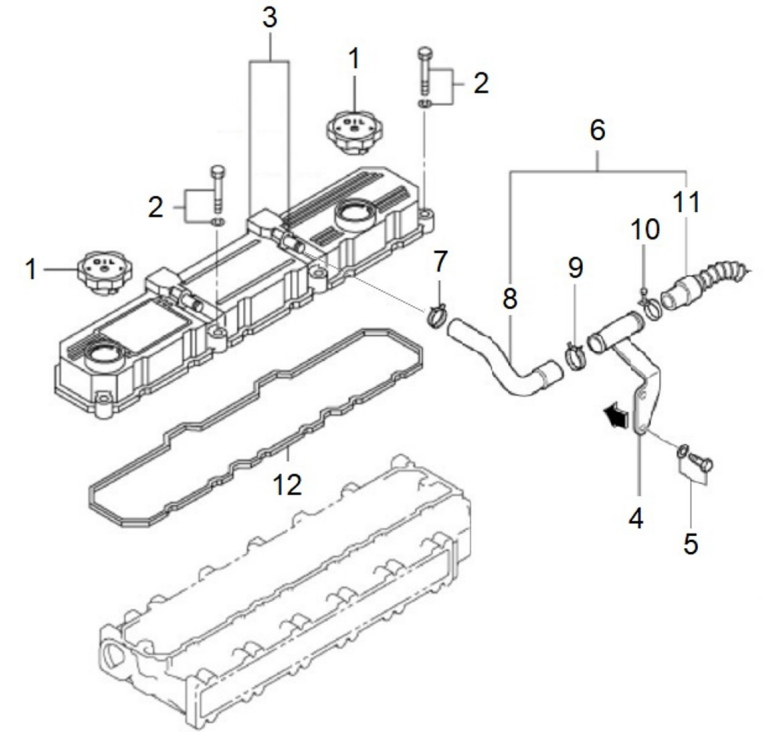
D SM81GTDN 01 1 **Cylinder Head**

| Fig. | Ref. | Qty. | Descr. | Obs | From | UpTo |
|------|-------------|------|---------------------------|-----|------|------|
| 1 | 17A21001 | 1 | Cylinder Head | | | |
| 2A | 17220006 | 18 | Cap, Sealing | | | |
| 2B | 13220012 | 11 | Cap Sealing | | | |
| 2C | 17421002 | 12 | Guide,Valve | | | |
| 2D | 17421061 | 6 | Seat,Valve,IN | | | |
| 2E | 17421062 | 6 | Seat,Valve,Exhaust | | | |
| 4 | 17121016 | 1 | Plug, drain | | | |
| 5 | 17121013 | 1 | Gasket | | | |
| 6 | 17521004 | 1 | Cylinder Head Gasket | | | |
| 7 | 17421005 | 25 | Bolt,cylinder head | | | |
| 8 | 17420014 | 1 | Eye,Lifting,Front | | | |
| 9 | 17421018 | 1 | Eye,Lifting;Head Rea | | | |
| 10 | 17421011 | 1 | Gasket | | | |
| 11 | 17821012 | 2 | Bolt,W/Washer | | | |
| 12 | 17421012G.1 | 4 | Bolt W/Washer (Generator) | | | |



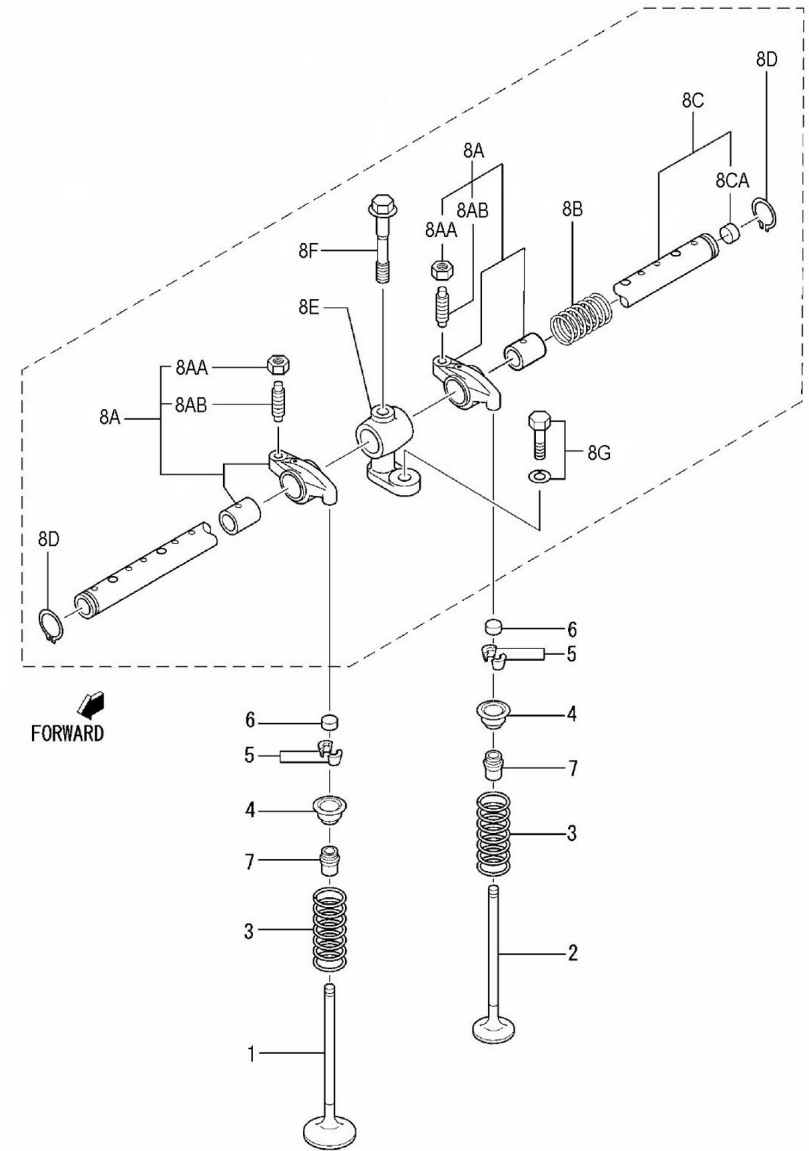
D SM81GTDN 01 2 **Rocker Cover & Breather**

| Fig. | Ref. | Qty. | Descr. | Obs | From | UpTo |
|------|-------------|------|---------------------------|-----|------|------|
| 1 | 17221003G | 2 | Cap Oil Filler | | | |
| 2 | 17421014G.1 | 7 | Bolt W/Washer (Generator) | | | |
| 3 | 17A21009 | 1 | Cover,rocker | | | |
| 4 | 17A10013 | 1 | Exhuast Pipe Braket | | | |
| 5 | 17821012 | 8 | Bolt,W/Washer | | | |
| 6 | 17A21007 | 1 | Set Hose, Breather | | | |
| 7 | 17521007 | 1 | Clip,Hose | | | |
| 8 | 17A21008 | 1 | Hose, Breather | | | |
| 9 | 17A21011 | 1 | Clamp | | | |
| 10 | 17A21012 | 1 | Clamp | | | |
| 11 | 17A21010 | 1 | Hose, Breather | | | |
| 12 | 17521010 | 1 | Gasket,Rocker Cover | | | |



D GP01 1 3 **Valve Drive**

| Fig. | Ref. | Qty. | Descr. | Obs | From | UpTo |
|------|-------------|------|-------------------------|-----|------|------|
| 1 | 17422055.1 | 6 | Valve,Inlet | | | |
| 2 | 17422056 | 6 | Exhaust Valve | | | |
| 3 | 13322028 | 12 | Spring, valve outler | | | |
| 4 | 17422058 | 12 | Retainer,Upper | | | |
| 5 | 17122059.1 | 24 | Cotter,Valve | | | |
| 6 | 13322024 | 12 | Cap | | | |
| 7 | 17422054 | 12 | Seal,Valve Stem | | | |
| 8A | 17422142.1 | 12 | Rocker Assy | | | |
| 8AA | 17122060 | 12 | Nut | | | |
| 8AB | 17122044 | 12 | Screw Adjusting | | | |
| 8B | 17422047G.1 | 5 | Spring,Rocker | | | |
| 8C | 17522146 | 1 | Shaft,Assy,Rocker | | | |
| 8CA | 13322023 | 2 | Cap, Sealing | | | |
| 8D | 17222050 | 2 | Ring, SNAP | | | |
| 8E | 17422048 | 6 | Bracket,Rocker Shaft | | | |
| 8F | 17422053 | 6 | Bolt,Rocker Bracket | | | |
| 8GA | 52102258 | 6 | Bolt DIN 933 M8-25 8.8 | | | |
| 8GB | 53033008 | 6 | Washer GROWER DIN 127-8 | | | |

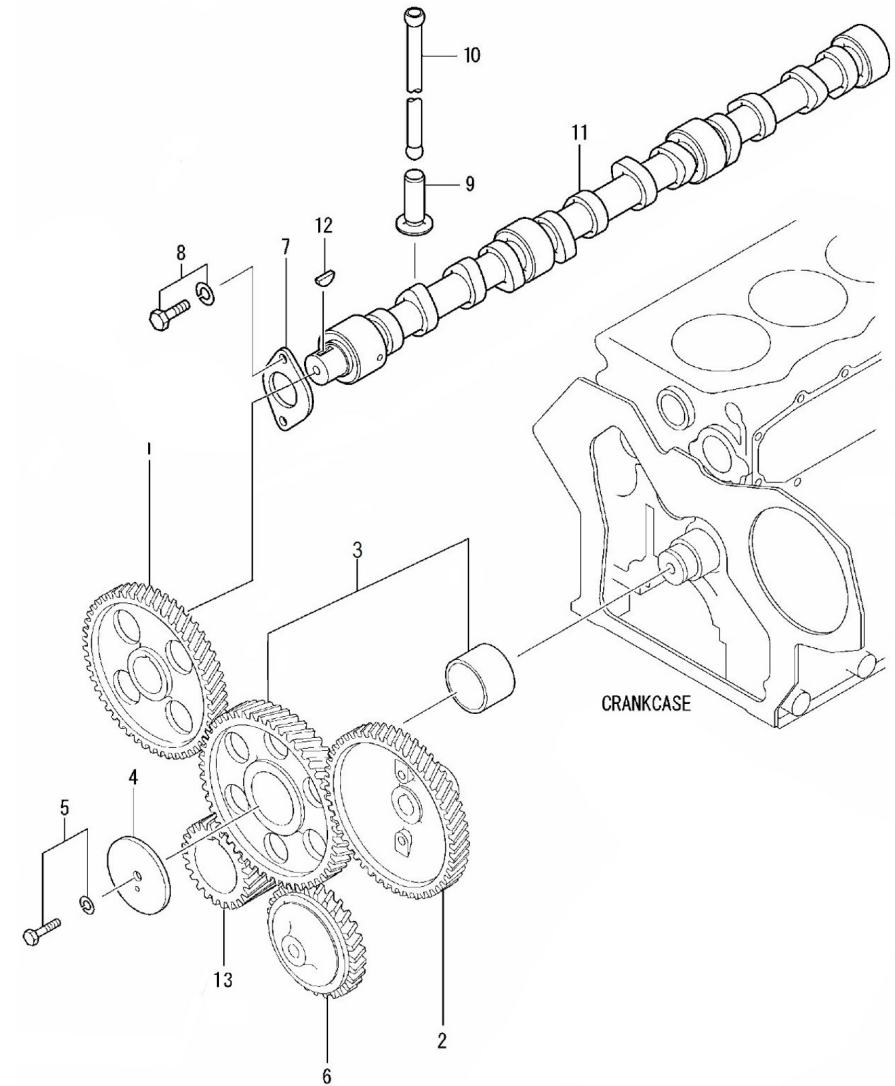


Genset 68 GT/GTC & 84 GTA/GTAC TAC

Engine Body

D GP01 1 4 Timing Parts

| Fig. | Ref. | Qty. | Descr. | Obs | From | UpTo |
|------|-------------|------|---------------------------|-----|------|------|
| 1 | 17422037 | 1 | Gear,CamShaft Z=46 | | | |
| 2 | 17A22040 | 1 | Gear, inj.pump | | | |
| 3 | 17A22038 | 1 | Gear, Assy idler | | | |
| 4 | 17122032 | 1 | Plate, thrust | | | |
| 5 | 17720010 | 1 | Bolt,W/Washer | | | |
| 6 | 17422066 | 1 | Gear,Oil Pump Z=31 | | | |
| 7 | 17522075 | 1 | Plate,Thrust | | | |
| 8 | 17422037G.1 | 2 | Bolt W/Washer (Generator) | | | |
| 9 | 17122061 | 12 | Tappet | | | |
| 10 | 17122041 | 12 | Rod, push | | | |
| 11 | 17A22035 | 1 | Camshaft | | | |
| 12 | 13322034 | 1 | Key Woodruff | | | |
| 13 | 17822019 | 1 | Gear, CrankShaft | | | |

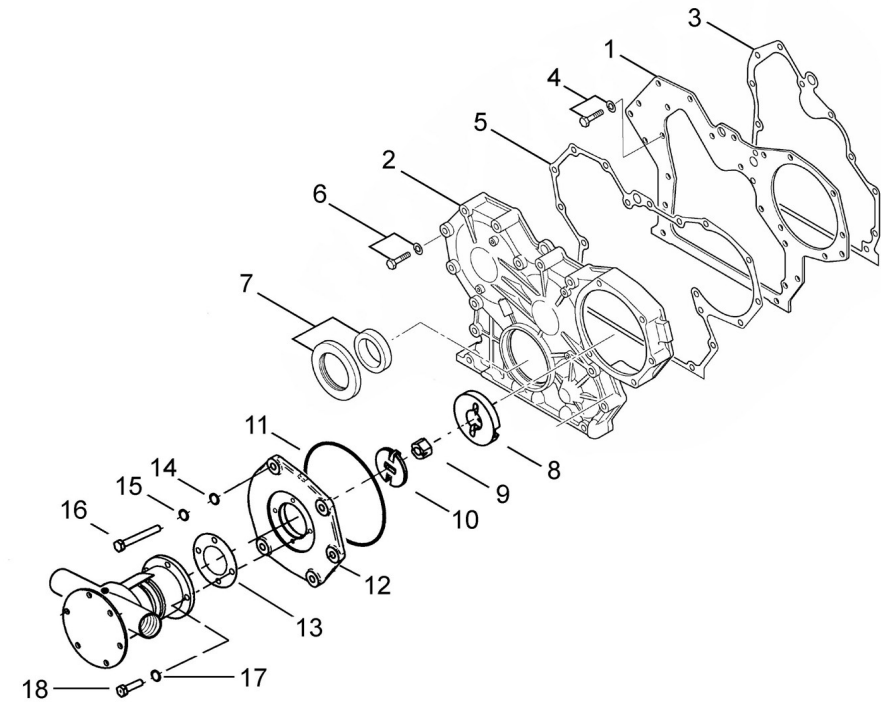


Genset 68 GT/GTC & 84 GTA/GTAC TAC

Engine Body

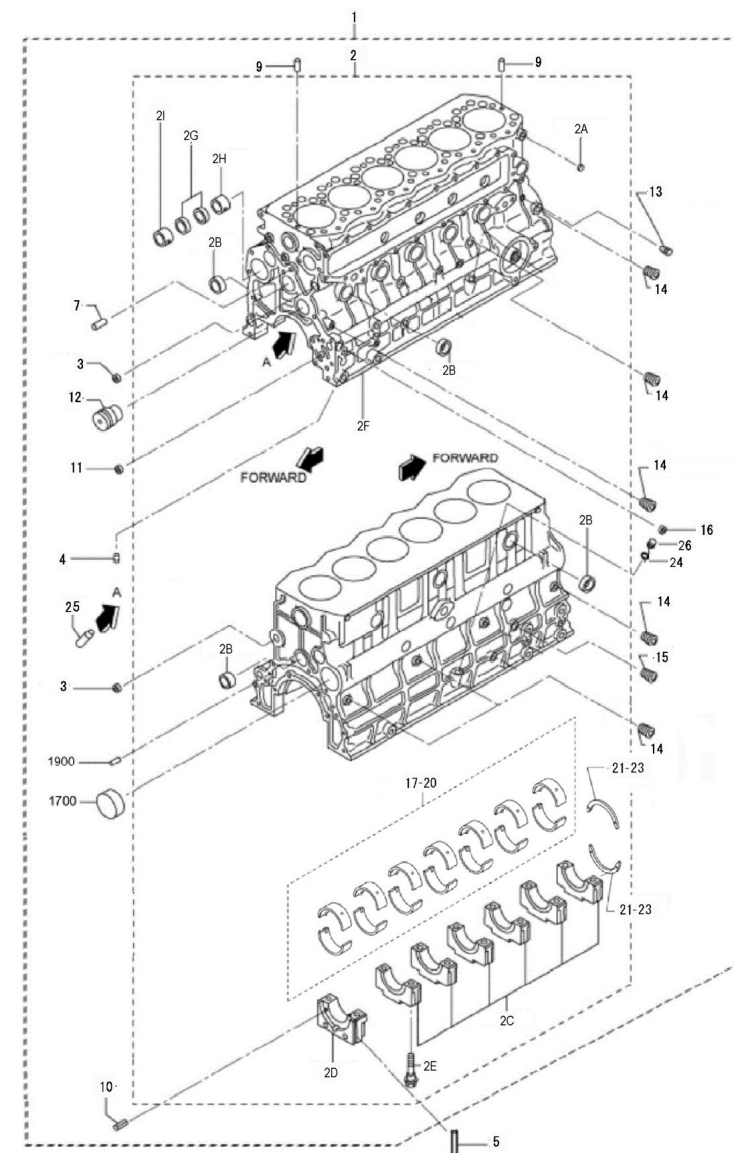
D GP01 1 5 Gear Case

| Fig. | Ref. | Qty. | Descr. | Obs | From | UpTo |
|------|-------------|------|---------------------------|-----|------|------|
| 1 | 17A20024 | 1 | Plate, Front | | | |
| 2 | 17420035G | 1 | Case,TIMING Gear | | | |
| 3 | 17420018 | 1 | Gasket,Front Plate | | | |
| 4 | 17422037G.1 | 5 | Bolt W/Washer (Generator) | | | |
| 5 | 17420040 | 1 | Gasket,Gear | | | |
| 6 | 17520047 | 13 | Bolt,W/Washer | | | |
| 7 | 17420039.1 | 1 | Seal Assy,Oil | | | |
| 8 | 17A11026 | 1 | Coupling Drive | | | |
| 9 | 17422071 | 1 | Nut,INJ.Pump | | | |
| 10 | 15310072 | 1 | CrossHead Jaw Coupling | | | |
| 11 | 17420047 | 1 | O-Ring D. 140X2 | | | |
| 12 | 17410010 | 1 | Block Water Pump | | | |
| 13 | 13310013 | 1 | Gasket,water pump | | | |
| 14 | 51030008 | 5 | Washer DIN 125-8 | | | |
| 15 | 53033008 | 5 | Washer GROWER DIN 127-8 | | | |
| 16 | 52101266 | 5 | Bolt DIN 931 M8-65 8.8 | | | |
| 17 | 51030006 | 4 | Washer DIN 125-6 | | | |
| 18 | 52103156 | 4 | Bolt DIN 912 M6-16 8.8 | | | |



D GP01 1 6 **Crankcase**

| Fig. | Ref. | Qty. | Descr. | Obs | From | UpTo |
|------|-------------|------|---------------------------|-----|------|------|
| 1 | 17A20001 | 1 | Block Assy,CYL | | | |
| 2 | 17A20002 | 1 | Block SUB Assy CY | | | |
| 2B | 13320006 | 14 | Cap, Sealing | | | |
| 2E | 17420009 | 14 | Bolt Bearing Cap | | | |
| 2G | 13320002 | 2 | Bushing,camShaft n°2 | | | |
| 2H | 17120015 | 1 | BUSING,camShaft r | | | |
| 2I | 17520015 | 1 | Bushing,CamShaft,F | | | |
| 3 | 13320007 | 7 | Cap, Sealing | | | |
| 4 | (*) | 12 | Not available | | | |
| 5 | 17420112 | 2 | Seal,Valve | | | |
| 6 | 17420013 | 1 | Plug,Cam | | | |
| 7 | 17420036 | 2 | Pin,Dowel | | | |
| 8 | 13320025 | 2 | Pin | | | |
| 9 | 17120019 | 2 | Pin, dowel | | | |
| 10 | 17420012 | 6 | Pin,Spring | | | |
| 11 | 17420011G.3 | 1 | Bushing | | | |
| 12 | 17420034 | 1 | Shaft,IDLER | | | |
| 13 | 17120022 | 1 | Plug, tapered | | | |
| 14 | 17820011 | 5 | Plug, Tapered | | | |
| 15 | 17620024.4 | 1 | Plug TAPER | | | |
| 16 | 17420027G.1 | 2 | Plug,TAPPERED (Generator) | | | |
| 17 | 17520003 | 1 | Bearing Set,MAIN STD | | | |
| 18 | 17520004 | 1 | Bearing Set,MAIN -0,25 | | | |
| 19 | 17520005 | 1 | Bearing Set,MAIN -0,50 | | | |
| 20 | 17520006 | 1 | Bearing Set,MAIN -0,75 | | | |
| 21 | 17420109 | 3 | Plate,THRUST.C/S STD | | | |
| 22 | 17420110 | 3 | Plate,THRUST.C/S +0,15 | | | |
| 23 | 17420111 | 3 | Plate,THRUST.C/S +0,30 | | | |
| 24 | 17120058 | 1 | O-Ring D. 13X2,5 | | | |
| 25 | 17A20003 | 6 | Valve, Check STD | | | |
| 26 | 17120059 | 1 | Plug | | | |

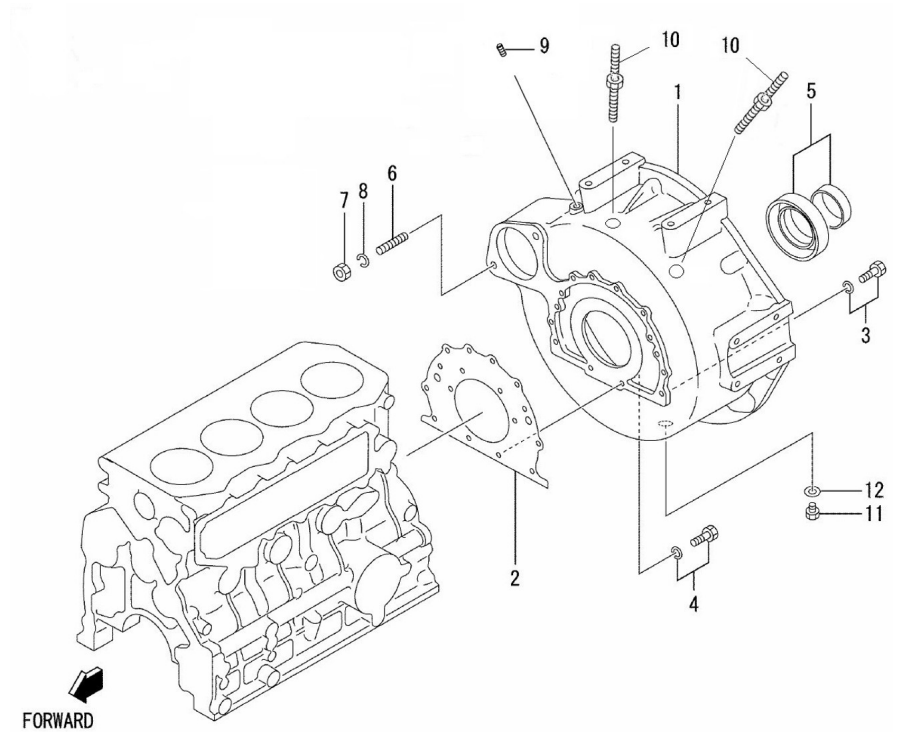


Genset 68 GT/GTC & 84 GTA/GTAC TAC

Engine Body

D SM81GTDN 01 7 Rear Plate

| Fig. | Ref. | Qty. | Descr. | Obs | From | UpTo |
|------|--------------|------|------------------------------|-----|------|------|
| 1 | 17A20007G.3 | 1 | Flyweel Housing Pickup | | | |
| 2 | 17420025 | 1 | Gasket,Rear | | | |
| 3 | 17327129.2 | 10 | Bolt | | | |
| 4 | 17420028G.1 | 2 | Bolt,W/Washer (Generator) | | | |
| 5 | 13320063 | 1 | Seal Oil | | | |
| 6 | 13320067 | 2 | Stud | | | |
| 7 | 17827003 | 2 | Nut | | | |
| 8 | MHF251510000 | 2 | WASHER, SPRING | | | |
| 9 | 52211454 | 1 | Stud ALLEN DIN913 M16x1,5-16 | | | |
| 10 | 60972519 | 2 | Magnetic Speed Sensor | | | |
| 11 | 13224045 | 1 | Plug | | | |
| 12 | 56000077 | 1 | Washer 18-23-1,5 | | | |

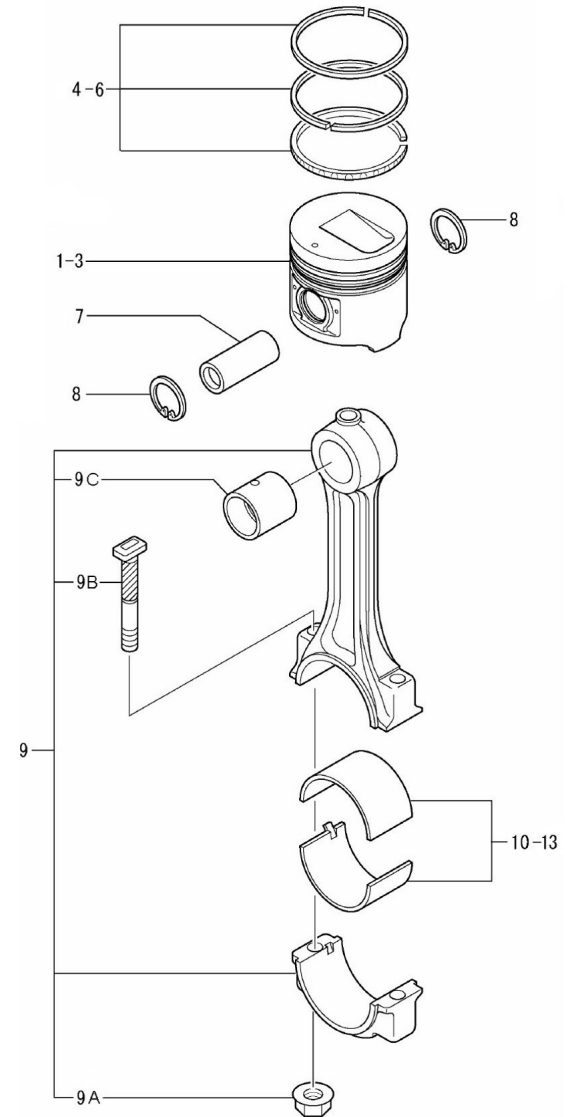


Genset 68 GT/GTC & 84 GTA/GTAC TAC

Engine Body

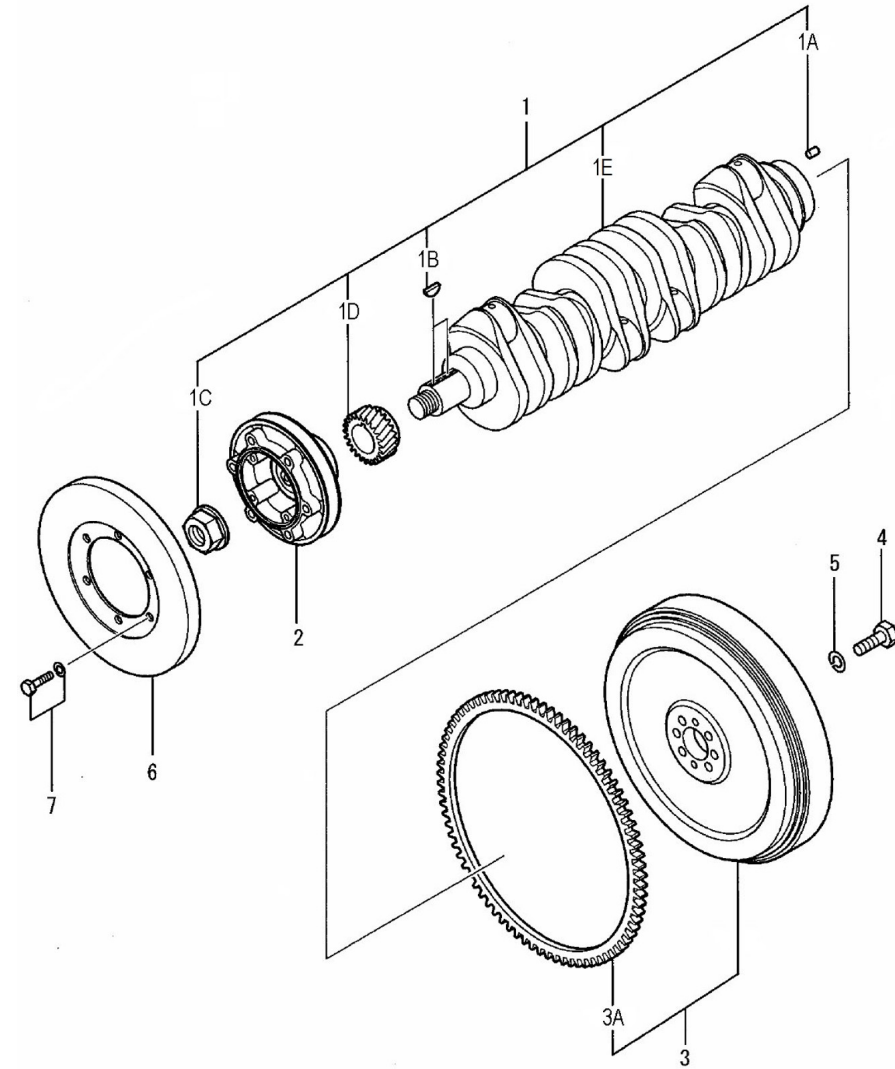
D GP01 1 8 Piston & Connecting Rod

| Fig. | Ref. | Qty. | Descr. | Obs | From | UpTo |
|------|----------|------|------------------------|-----|------|------|
| 1 | 17A22001 | 6 | Piston STD | | | |
| 2 | 17A22002 | 6 | Piston +0,25 | | | |
| 3 | 17A22003 | 6 | Piston +0,50 | | | |
| 4 | 17422006 | 6 | Ring Set,Piston STD. | | | |
| 5 | 17422007 | 6 | Ring,Piston O.S 0,25 | | | |
| 6 | 17422008 | 6 | Ring,Piston O.S 0,50 | | | |
| 7 | 17422009 | 6 | Pin,Piston | | | |
| 8 | 17422010 | 12 | Ring,Snap | | | |
| 9 | 17822012 | 6 | Rod Assy. Connecting | | | |
| 9A | 17822011 | 12 | Nut | | | |
| 9B | 17122013 | 12 | Bolt,connecting rod | | | |
| 9C | 17422033 | 6 | Bushing,Con-Rod | | | |
| 10 | 17522014 | 1 | METAL Set,CONROD STD | | | |
| 11 | 17522015 | 1 | METAL Set,CONROD -0,25 | | | |
| 12 | 17522016 | 1 | METAL Set,CONROD -0,50 | | | |
| 13 | 17522017 | 1 | METAL Set,CONROD -0,75 | | | |



D GP01 1 9 Crankshaft & Flywheel

| Fig. | Ref. | Qty. | Descr. | Obs | From | UpTo |
|------|--------------|------|-------------------------------|-----|------|------|
| 1 | 17A22012 | 1 | CrankShaft Assy | | | |
| 1A | 13322059 | 2 | Pin | | | |
| 1B | 13322034 | 2 | Key Woodruff | | | |
| 1C | 17A22026 | 1 | Nut Crankshaft | | | |
| 1D | 17822019 | 1 | Gear, CrankShaft | | | |
| 1E | 17A22013 | 1 | CrankShaft | | | |
| 2 | 17422024G | 1 | Pulley,CrankShaft (Generator) | | | |
| 3 | 17522027 | 1 | Flywheel Assy | | | |
| 3A | 17422029 | 1 | Gear, Ring Z=122 | | | |
| 4 | 13322065 | 6 | Bolt | | | |
| 5 | MHF251512000 | 6 | WASHER, SPRING | | | |
| 6 | 17522076 | 1 | Damper, TORSIONAL | | | |
| 7 | 17522077 | 6 | Bolt, W/Washer | | | |

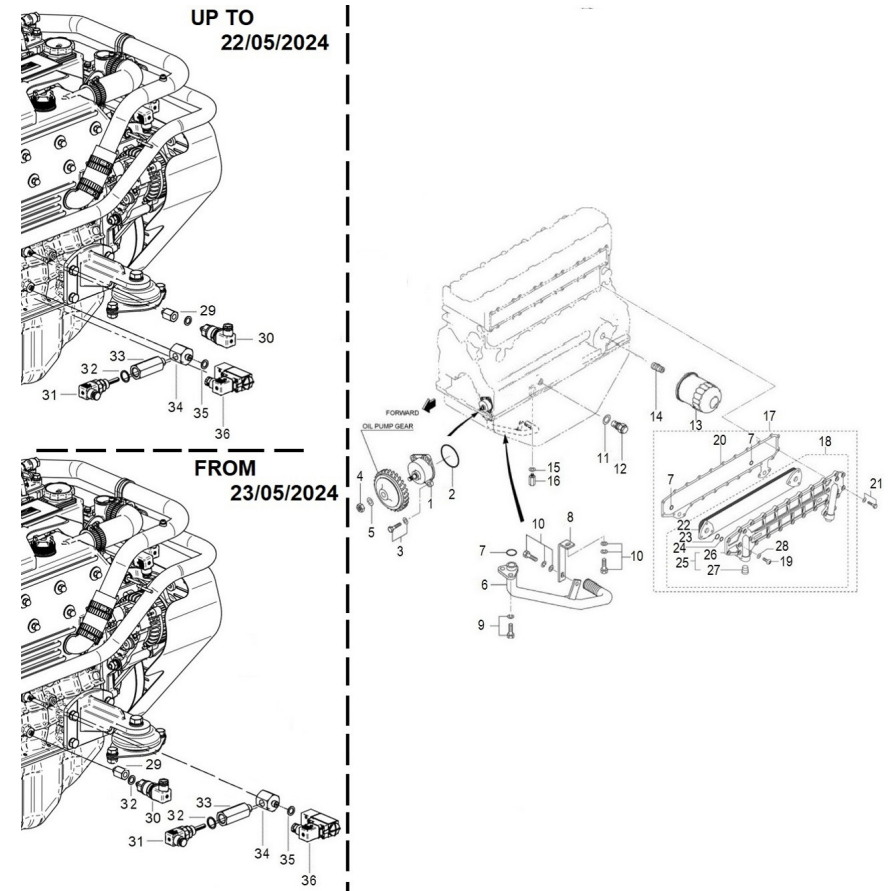


Genset 68 GT/GTC & 84 GTA/GTAC TAC

Engine Body

D SM81GTDN 01 10 Oil System

| Fig. | Ref. | Qty. | Descr. | Obs | From | UpTo |
|------|--------------|------|---------------------------------------|-----|------------|------------|
| 1 | 17524040 | 1 | Pump Assy,Oil | | | |
| 2 | 17424055 | 1 | O-Ring D. 60X2 | | | |
| 3 | 17421012G.1 | 4 | Bolt W/Washer (Generator) | | | |
| 4 | 13122045 | 1 | Nut | | | |
| 5 | MHF251510000 | 1 | WASHER, SPRING | | | |
| 6 | 17524052 | 1 | STrainer,Oil | | | |
| 7 | 17424060 | 3 | O-Ring D. 22X2,4 | | | |
| 8 | 17524053 | 1 | STAY,Oil STrainer | | | |
| 9 | 17422037G.1 | 2 | Bolt W/Washer (Generator) | | | |
| 10 | 52102256 | 2 | Bolt DIN 933 M8-16 8.8 | | | |
| 11 | 17124072 | 1 | Valve, Assy | | | |
| 12 | 17424063 | 1 | Gasket | | | |
| 13 | 17524051 | 1 | Oil Filter Element SM-75/90/105 | | | |
| 14 | 17424054 | 1 | Union,Oil Filter | | | |
| 15 | 17420017 | 1 | Gasket | | | |
| 16 | 17824071 | 1 | Valve, Assy | | | |
| 17 | 17A22109 | 1 | Ensemble refroid. Huile | | | |
| 18 | 17A22110 | 1 | Ensemble refroid. Huile | | | |
| 19 | 17A22118 | 6 | Bolt | | | |
| 20 | 17524035 | 1 | Gasket,Oil Cooler | | | |
| 21 | 17A22116 | 25 | Bolt | | | |
| 22 | 17A22114 | 1 | Élément Refroid. Huile | | | |
| 23 | 17520072 | 2 | O-Ring D. 42X3,4 | | | |
| 24 | 17520017 | 2 | O-Ring D. 30X3,4 | | | |
| 25 | 17A22111 | 1 | Corp Refroidisseur Huile | | | |
| 26 | (*) | 1 | Not available | | | |
| 27 | 17A22117 | 2 | Plug | | | |
| 28 | 17524007 | 6 | Gasket | | | |
| 29 | 17A17035 | 1 | Conversion Adapter G1/4 a G1/8 BSPT | | | 22/05/2024 |
| 29 | 17A17041 | 1 | Transmitter Adapter G1/4 to G1/8 BSPT | | 23/05/2024 | |
| 30 | 60994076 | 1 | Marine Approved Pressure Transmitters | | | |

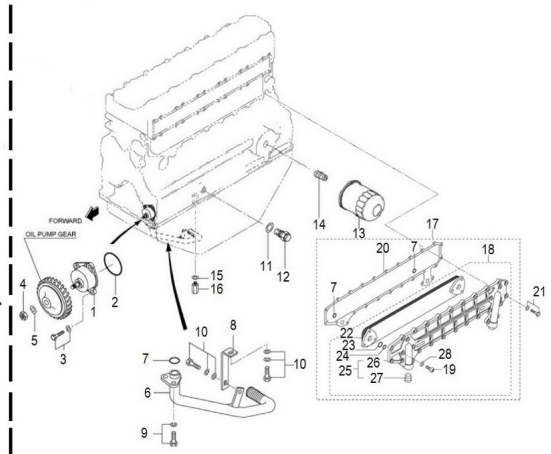
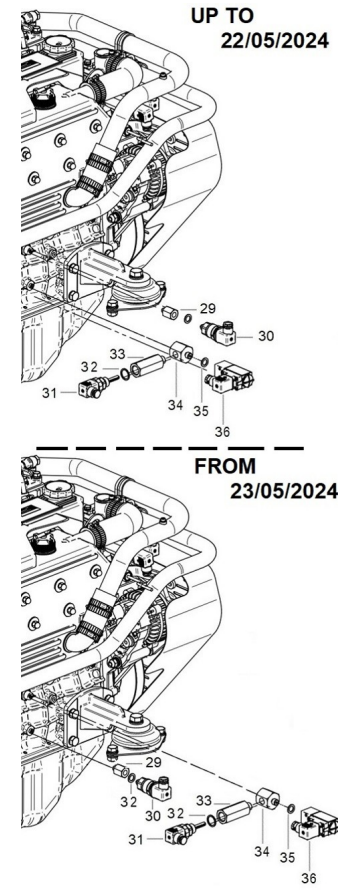


Genset 68 GT/GTC & 84 GTA/GTAC TAC

Engine Body

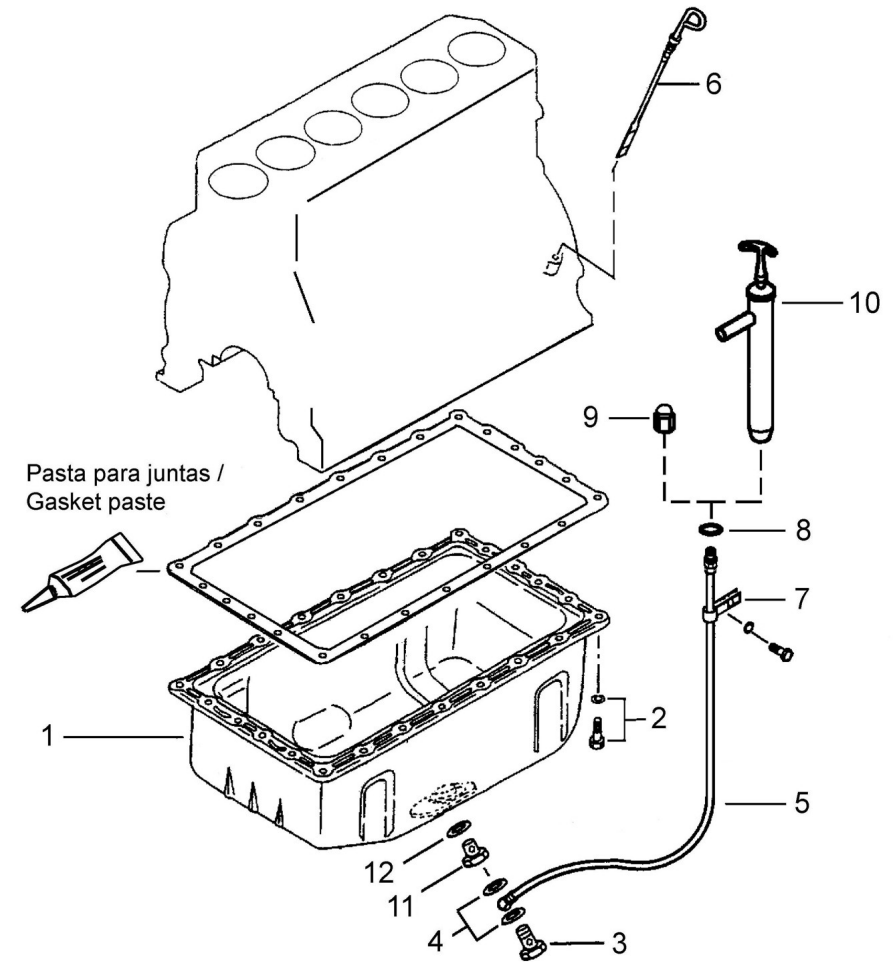
D SM81GTDN 01 10 Oil System

| Fig. | Ref. | Qty. | Descr. | Obs | From | UpTo |
|------|----------|------|--------------------------------------|-----|------------|------------|
| 31 | 60994075 | 1 | Temperature Sensor | | | |
| 32 | 56000083 | 1 | Washer 21-26-1,5 | | | |
| 33 | 17A17028 | 1 | Conversion Adapter G1/2 a 3/8 | | | |
| 34 | 17A17037 | 1 | Conversion Adapter R 1/8 A G1/4 G1/8 | | | 22/05/2024 |
| 34 | 17A17040 | 1 | Adapter Transmitter G1/8 to G1/4 | | 23/05/2024 | |
| 35 | 56000067 | 1 | Washer 13-20-1,5 | | | |
| 36 | 6097A072 | 1 | Compact Pressure Switch | | | |



D GP01 1 11 Oil Pan

| Fig. | Ref. | Qty. | Descr. | Obs | From | UpTo |
|------|----------|------|---------------------|-----|------|------|
| 1 | 17520030 | 1 | Pan Assy,Oil | | | |
| 2 | 17821012 | 30 | Bolt,W/Washer | | | |
| 3 | 12814051 | 1 | Screw,eye | | | |
| 4 | 56000069 | 2 | Washer 14-20-1,5 | | | |
| 5 | 18014021 | 1 | Extraction Hose | | | |
| 6 | 17520029 | 1 | Gauge Oil Level | | | |
| 7 | 17214022 | 1 | Bracket, Pipe | | | |
| 8 | 56000217 | 1 | Washer 13-20-3 | | | |
| 9 | 16514020 | 1 | Plug | | | |
| 10 | 14714001 | 1 | Oil Extraction Pump | | | |
| 11 | 17514001 | 1 | Plug | | | |
| 12 | 56000083 | 1 | Washer 21-26-1,5 | | | |

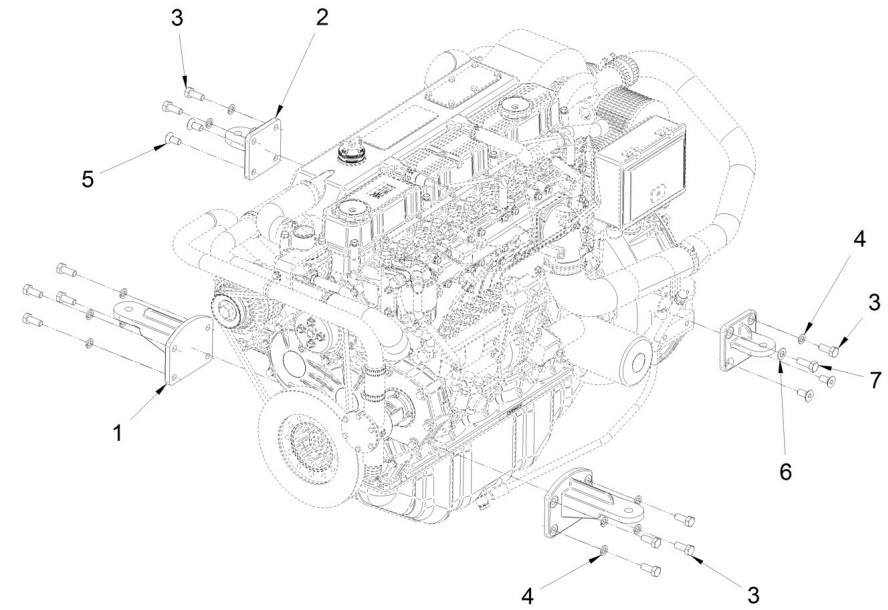


Genset 68 GT/GTC & 84 GTA/GTAC TAC

Engine Body

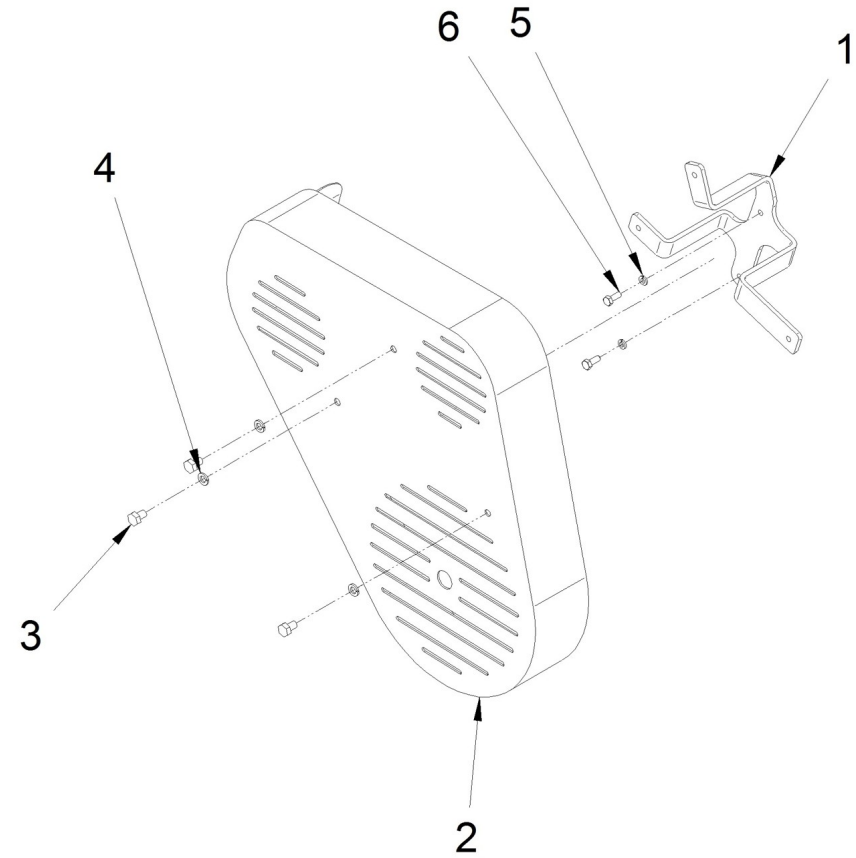
D GP01 1 12 Engine Brackets

| Fig. | Ref. | Qty. | Descr. | Obs | From | UpTo |
|------|------------|------|---------------------------|-----|------------|------------|
| 1 | 17410001.2 | 2 | Front Bracket | | | |
| 2 | 17510003 | 2 | REAR Bracket | | | 22/05/2024 |
| 2 | 17510006 | 2 | Rear Bracket | | 23/05/2024 | |
| 3 | 52102359 | 11 | Bolt DIN 933 M12-30 8.8 | | | |
| 4 | 53033012 | 11 | Washer Grower DIN 127-12 | | | |
| 5 | 53105359 | 4 | Bolt DIN 7991 M12-30 12.9 | | | |
| 6 | 51030012 | 1 | Washer DIN 125-12 | | | |
| 7 | 52102360 | 1 | Bolt DIN 933 M12-35 8.8 | | | |



D 17510022.5R Drive Belt Guard For Genset Without Cabin

| <i>Fig.</i> | <i>Ref.</i> | <i>Qty.</i> | <i>Descr.</i> | <i>Obs</i> | <i>From</i> | <i>UpTo</i> |
|-------------|-------------|-------------|--------------------------|------------|-------------|-------------|
| 1 | 17510023 | 1 | Drive Belt Guard Bracket | | | |
| 2 | 17510020.5 | 1 | Drive Belt Guard | | | |
| 3 | 52102255 | 3 | Bolt DIN 933 M8-12 8.8 | | | |
| 4 | 53033008 | 3 | Washer GROWER DIN 127-8 | | | |
| 5 | 53033006 | 2 | Washer GROWER DIN 127-6 | | | |
| 6 | 52102156 | 2 | Bolt DIN 933 M6-16 8.8 | | | |

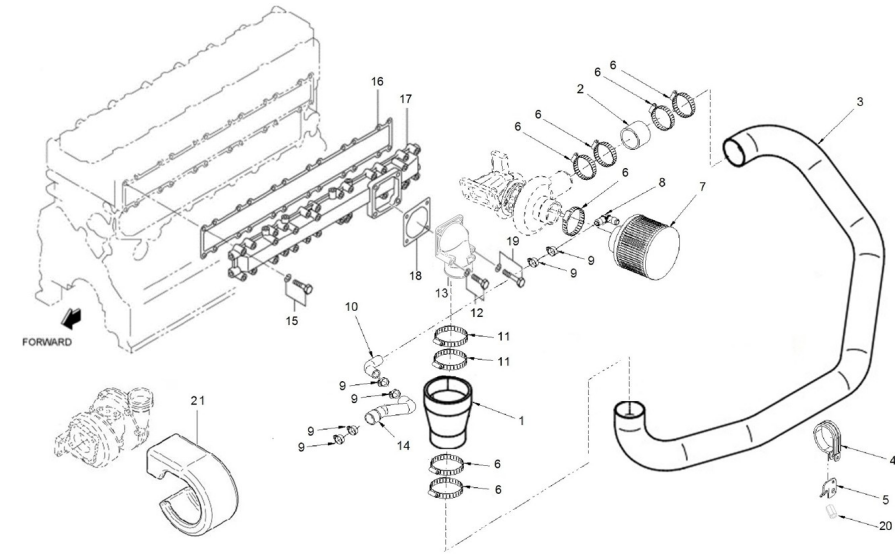


Genset 68 GT/GTC & 84 GTA/GTAC TAC

Inlet & Exhaust

D SM81GTDN 02 1 Inlet


| Fig. | Ref. | Qty. | Descr. | Obs | From | UpTo |
|------|-------------|------|---------------------------------|-----|------|------|
| 1 | 17A10030 | 1 | Silicone Hose Straight Reducers | | | |
| 2 | 17A10034 | 1 | Silicone Hose Straight D50 L65 | | | |
| 3 | 17A10017 | 1 | Air Pipe D60.3 | | | |
| 4 | 59071604 | 1 | Clamp RSGU 1 60/20 W1 | | | |
| 5 | 17A10033 | 1 | Flat Bracket 3 holes | | | |
| 6 | 54082050 | 7 | Clamp DIN 3017 50-70/12 W4 | | | |
| 7 | 17810012 | 1 | Air Filter | | | |
| 8 | 17810013 | 1 | Elbow,Frared Tube | | | |
| 9 | 54081016 | 6 | Clamp DIN 3017 16-27/9 W4 | | | |
| 10 | 17A11018 | 1 | Elbow | | | |
| 11 | 54082060 | 2 | Clamp DIN 3017 60-80/12 W4 | | | |
| 12 | 17421012G.1 | 2 | Bolt W/Washer (Generator) | | | |
| 13 | 17521029 | 1 | Elbow,Air Inlet | | | |
| 14 | 17A21010 | 1 | Hose, Breather | | | |
| 15 | 17421014G.1 | 24 | Bolt W/Washer (Generator) | | | |
| 16 | 17521032 | 1 | Gasket,IN.MANIFOld | | | |
| 17 | 17A24065 | 1 | COUV.Collecteur | | | |
| 18 | 17421042 | 1 | Gasket | | | |
| 19 | 17420062G.1 | 2 | Bolt,W/Washer (Generator) | | | |
| 20 | 17A10029 | 1 | Shim | | | |
| 21 | 17A18010 | 1 | Turbo Blanket Cover Heat Shield | | | |

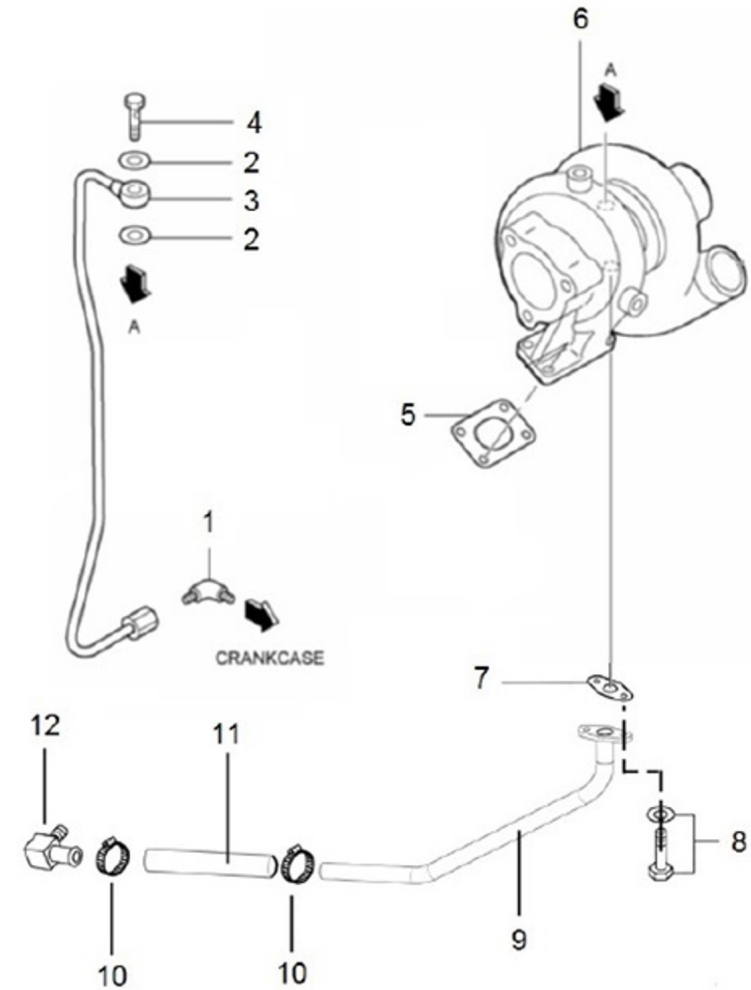


Genset 68 GT/GTC & 84 GTA/GTAC TAC

Inlet & Exhaust

D SM81GTDN 02 2 Turbocharger

| Fig. | Ref. | Qty. | Descr. | Obs | From | UpTo |
|------|----------|------|---------------------------------|---|------|------|
| 1 | 17121016 | 1 | Plug, drain | | | |
| 1 | 17712007 | 1 | Elbow 1/8" GAS | | | |
| 2 | 17124056 | 2 | Gasket | | | |
| 3 | 17A12006 | 1 | Oil Turbocharged Pipe | | | |
| 4 | 17828006 | 1 | Bolt, Eye | | | |
| 5 | 17A13002 | 1 | Exhaust Gasket | | | |
| 6 | 17A28002 | 1 | Turbocharger, Assy | | | |
| 7 | 17712004 | 1 | Gasket | | | |
| 8 | 52102156 | 2 | Bolt DIN 933 M6-16 8.8 | | | |
| 9 | 17A12007 | 1 | Oil Turbo Pipe | | | |
| 10 | 54081020 | 2 | Clamp DIN 3017 20-32/9 W4 | | | |
| 11 | 17728007 | 1 | Hose,Oil | | | |
| NS | 17A18011 | 1 | Turbo Blanket Cover Heat Shield |  | | |

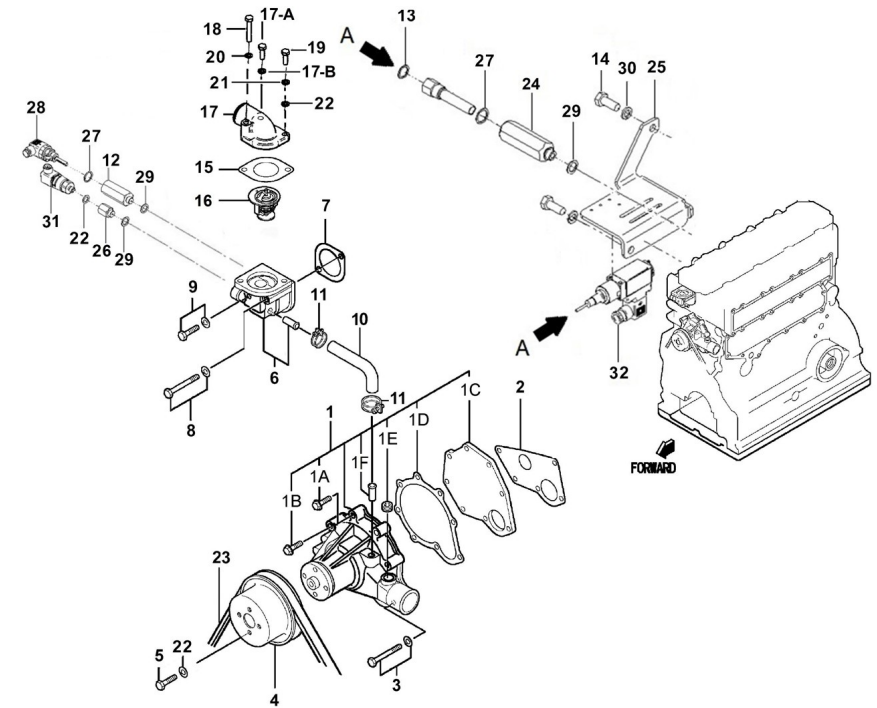


Genset 68 GT/GTC & 84 GTA/GTAC TAC

Cooling System

D SM81GTDN 03 1 Water Pump

| Fig. | Ref. | Qty. | Descr. | Obs | From | UpTo |
|------|--------------|------|-----------------------------------|-----|------|------|
| 1 | 17421020G | 1 | Fresh Water Assy (tube 10) | | | |
| 1A | 17122051 | 1 | Bolt, w/washer | | | |
| 1B | MHF180508035 | 2 | BOLT, WASHER ASSY | | | |
| 1C | 17421043 | 1 | Cover, Water Pump | | | |
| 1D | 17421022 | 1 | Gasket, Pump Cover | | | |
| 1E | (*) | 2 | Not available | | | |
| 1F | (*1) | 1 | Not available | | | |
| 2 | 17421041 | 1 | Gasket, Side Cover | | | |
| 3 | 17421039G.1 | 5 | Bolt, W/Washer (Generator) | | | |
| 4 | 17421021G | 1 | Pulley, Water Pump | | | |
| 5 | 52102257 | 4 | Bolt DIN 933 M8-20 8.8 | | | |
| 6 | 17421037 | 1 | Case Assy, Thermostat | | | |
| 7 | 17421016G.2 | 1 | Gasket (Generator) | | | |
| 8 | 17821038 | 1 | Bolt, Flange | | | |
| 9 | 17821039 | 1 | Bolt, Flange | | | |
| 10 | 17421025 | 1 | Hose, BY-PASS | | | |
| 11 | 17121036 | 2 | Clamp, hose | | | |
| 12 | 17A17031 | 1 | Conversion Adapter G1/2 A 5/8 UNF | | | |
| 13 | 56000077 | 1 | Washer 18-23-1,5 | | | |
| 14 | 52102360 | 1 | Bolt DIN 933 M12-35 8.8 | | | |
| 15 | 17821031 | 1 | Gasket | | | |
| 16 | 17121027 | 1 | Thermostat | | | |
| 17 | 17111020 | 1 | Fitting, water outlet | | | |
| 17A | 13811035 | 1 | Bolt, bleed | | | |
| 17B | 56000053 | 1 | Washer 6-10-1,5 | | | |
| 18 | 52101263 | 1 | Bolt DIN 931 M8-50 8.8 | | | |
| 19 | 52102259 | 1 | Bolt DIN 933 M8-30 8.8 | | | |
| 20 | 53038008 | 1 | Washer DIN 6798-A 8 | | | |
| 21 | 51030005 | 1 | Washer DIN 125-5 | | | |
| 22 | 53033008 | 4 | Washer GROWER DIN 127-8 | | | |
| 23 | 17421028G | 1 | Belt Type BX 44 1160 | | | |

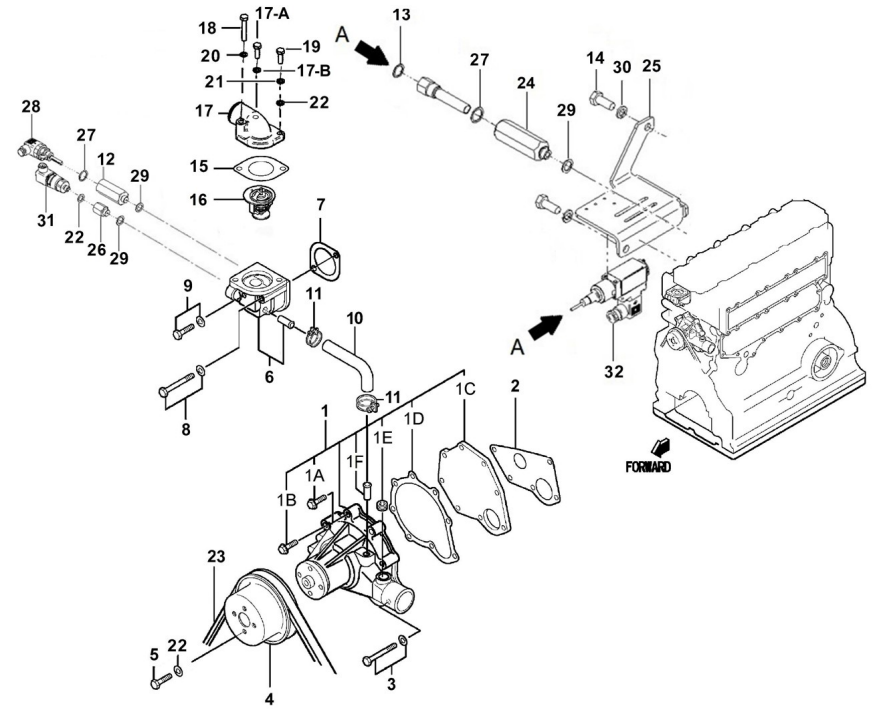


Genset 68 GT/GTC & 84 GTA/GTAC TAC

Cooling System

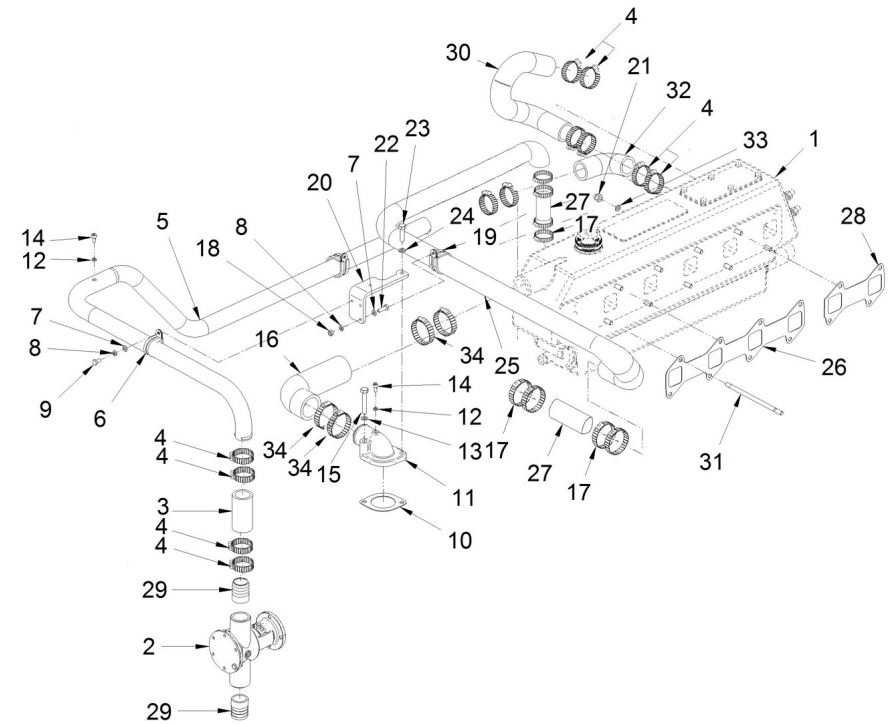
D SM81GTDN 03 1 Water Pump

| Fig. | Ref. | Qty. | Descr. | Obs | From | UpTo |
|------|----------|------|---------------------------------------|-----|------------|------------|
| 24 | 17A17033 | 1 | Conversion Adapter 5/8 UNF | | | |
| 25 | 17A17034 | 1 | Sensor Bracket | | | 22/05/2024 |
| 25 | 17A17043 | 1 | Sensor Bracket | | 23/05/2024 | |
| 26 | 17A17030 | 1 | Conversion Adapter G1/4 a 5/8"SAE | | | |
| 27 | 56000083 | 2 | Washer 21-26-1,5 | | | |
| 28 | 60994075 | 1 | Temperature Sensor | | | |
| 29 | 56000073 | 3 | Copper Washer 16-23-1,5 | | | |
| 30 | 53033012 | 1 | Washer Grower DIN 127-12 | | | |
| 31 | 60994076 | 1 | Marine Approved Pressure Transmitters | | | |
| 32 | 6097A075 | 1 | Thermostat DNV 95° Trafag | | | |



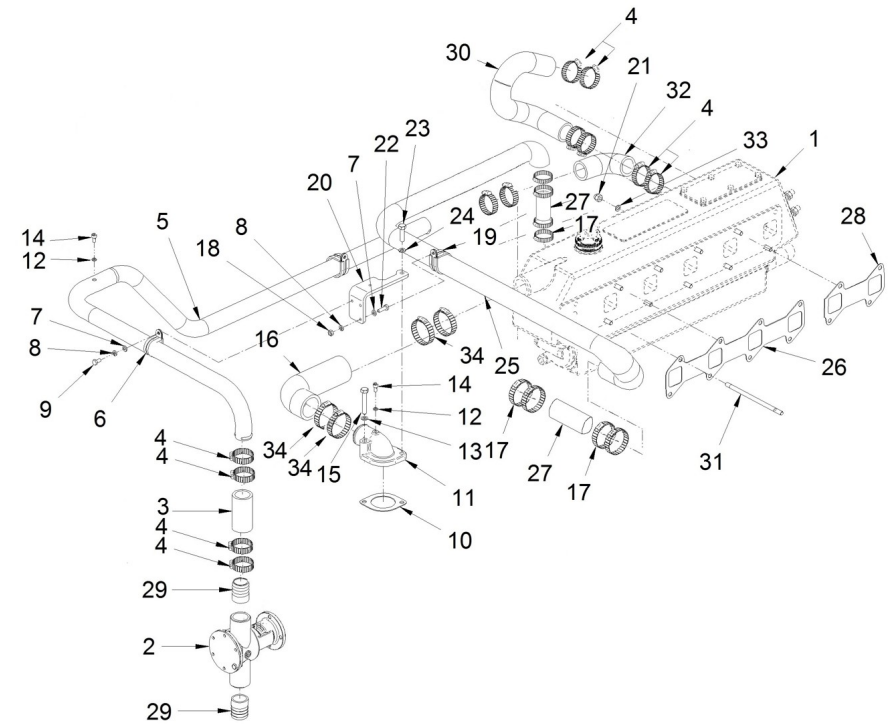
D SM81GTDN 03 2 Cooler Pipes

| Fig. | Ref. | Qty. | Descr. | Obs | From | UpTo |
|------|--------------|------|--|-----|------|------|
| 1 | 17A11000DNVR | 1 | Water Cooler Assy (R) | | | |
| 2 | 37811000 | 1 | Cross Brace Pump 1" SM-82/94 Gen.SM-81 | | | |
| 3 | 13611038 | 1 | Pipe 30-40-75 | | | |
| 4 | 54082025 | 12 | Clamp DIN 3017 25-40/12 W4 | | | |
| 5 | 17A11011 | 1 | Brass Pipe D32 | | | |
| 6 | 59071324 | 1 | Clamp RSGU 1 32/15 W1 | | | |
| 7 | 51030006 | 2 | Washer DIN 125-6 | | | |
| 8 | 53033006 | 2 | Washer GROWER DIN 127-6 | | | |
| 9 | 52102155 | 2 | Bolt DIN 933 M6-12 8.8 | | | |
| 10 | 17111021 | 1 | Gasket | | | |
| 11 | 17111020 | 1 | Fitting,water outlet | | | |
| 12 | 56000053 | 2 | Washer 6-10-1,5 | | | |
| 13 | 53038008 | 1 | Washer DIN 6798-A 8 | | | |
| 14 | 13811035 | 2 | Bolt,bleed | | | |
| 15 | 52101263 | 1 | Bolt DIN 931 M8-50 8.8 | | | |
| 16 | 17411013 | 1 | Thermostat Water Outlet Elbow | | | |
| 17 | 54082032 | 8 | Clamp DIN 3017 32-50/12 W4 | | | |
| 18 | 52120006 | 1 | Nut DIN 934 M6 8.8 | | | |
| 19 | 59071383 | 1 | Clamp TYP.1 38/15 W1 | | | |
| 20 | 17A11014 | 1 | Bracket | | | |
| 21 | 55122008 | 12 | Nut DIN 1587 M8 | | | |
| 22 | 52102157 | 1 | Bolt DIN 933 M6-20 8.8 | | | |
| 23 | 52102259 | 1 | Bolt DIN 933 M8-30 8.8 | | | |
| 24 | 53033008 | 1 | Washer GROWER DIN 127-8 | | | |
| 25 | 17A11022 | 1 | Pipe,from cooler to engine D38 e2 | | | |
| 26 | 17421035 | 1 | Gasket,Exhaust Manifold | | | |
| 27 | 15211053 | 2 | Pipe 38-50-100 | | | |
| 28 | 17521035 | 1 | Gasket | | | |
| 29 | 60180007 | 2 | Outlet Coupling | | | |
| 30 | 17A11034 | 1 | Elbow Hose | | | |
| 31 | 17411015 | 12 | Stud | | | |



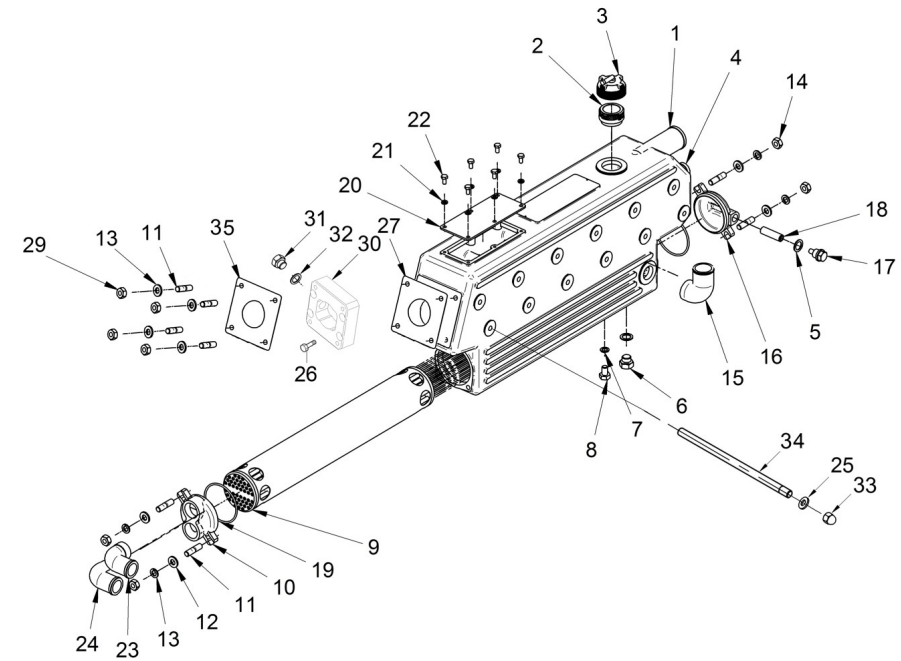
D SM81GTDN 03 2 Cooler Pipes

| Fig. | Ref. | Qty. | Descr. | Obs | From | UpTo |
|------|----------|------|----------------------------|---|------|------|
| 32 | 17411035 | 1 | Elbow Rubber | | | |
| 33 | 56000057 | 12 | Washer 8-13-1,5 | | | |
| 34 | 54082040 | 4 | Clamp DIN 3017 40-60/12 W4 | | | |
| NS | 17A10037 | 1 | Water Cooler Shield |  | | |



D 17A11000DNVR Water Cooler Assy SM-81 TAC (R)

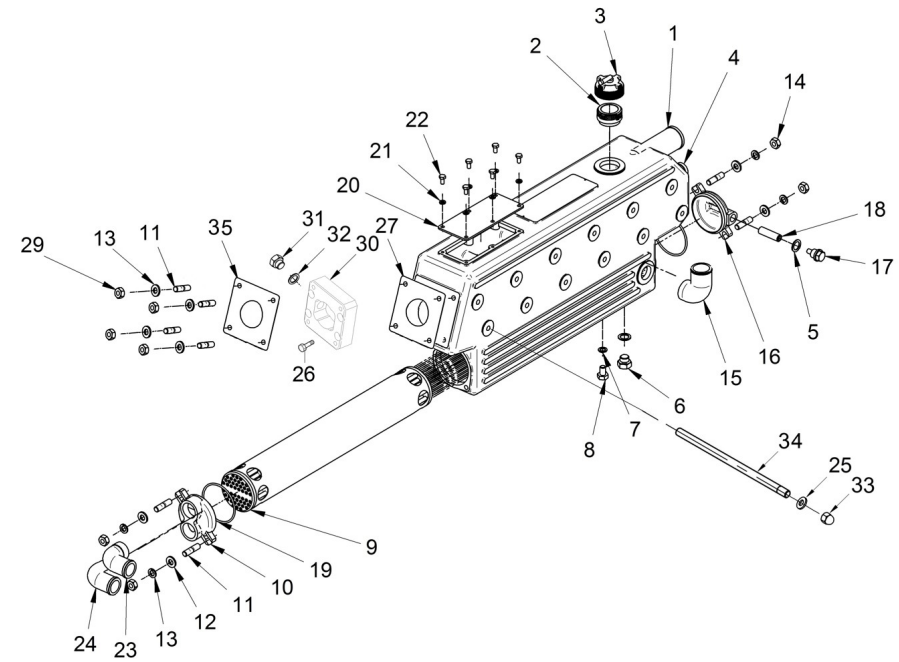
| Fig. | Ref. | Qty. | Descr. | Obs | From | UpTo |
|------|----------|------|---------------------------|-----|------|------|
| 1 | 17A11001 | 1 | Body, Water Cooler | | | |
| 2 | 17411004 | 1 | Adapter, MTA Cap | | | |
| 3 | 13811010 | 1 | Cap | | | |
| 4 | 12113092 | 1 | Plug | | | |
| 5 | 56000073 | 2 | Copper Washer 16-23-1,5 | | | |
| 6 | 12111076 | 1 | Plug | | | |
| 7 | 56000061 | 1 | Washer 10-16-1,5 | | | |
| 8 | 54102306 | 1 | Bolt DIN 933 M10-16 INOX. | | | |
| 9 | 19011004 | 1 | Tubular Bundle | | | |
| 10 | 17411003 | 1 | Water Cooler Cover | | | |
| 11 | 16511007 | 8 | Stud | | | |
| 12 | 51030010 | 4 | Washer DIN 125-10 | | | |
| 13 | 53033010 | 8 | Washer GROWER DIN 127-10 | | | |
| 14 | 54120010 | 4 | Nut DIN 934 M10 | | | |
| 15 | 17111011 | 1 | Elbow 1 1/8" | | | |
| 16 | 18011002 | 1 | Water Cooler Cover | | | |
| 17 | 18011009 | 1 | Anode Plug | | | |
| 18 | 18011031 | 1 | Engine Anode 45 mm M.8 | | | |
| 19 | 18011008 | 2 | O-Ring D. 72X3 | | | |
| 20 | 18211002 | 1 | Cover | | | |
| 21 | 53033006 | 6 | Washer GROWER DIN 127-6 | | | |
| 22 | 52102155 | 6 | Bolt DIN 933 M6-12 8.8 | | | |
| 23 | 14711021 | 1 | Elbow N°1 | | | |
| 24 | 14711030 | 1 | Brass Elbow Connector | | | |
| 25 | 56000057 | 12 | Washer 8-13-1,5 | | | |
| 26 | 52103309 | 4 | Bolt DIN 912 M10-30 8.8 | | | |
| 27 | 16513002 | 1 | Exhaust Elbow Gasket | | | |
| 29 | 55120110 | 4 | Nut DIN 934 M10 | | | |
| 30 | 17A17027 | 1 | Sensor Spacer | | | |
| 31 | 19411027 | 1 | Plug | | | |
| 32 | 56000077 | 1 | Washer 18-23-1,5 | | | |



D 17A1100DNVR

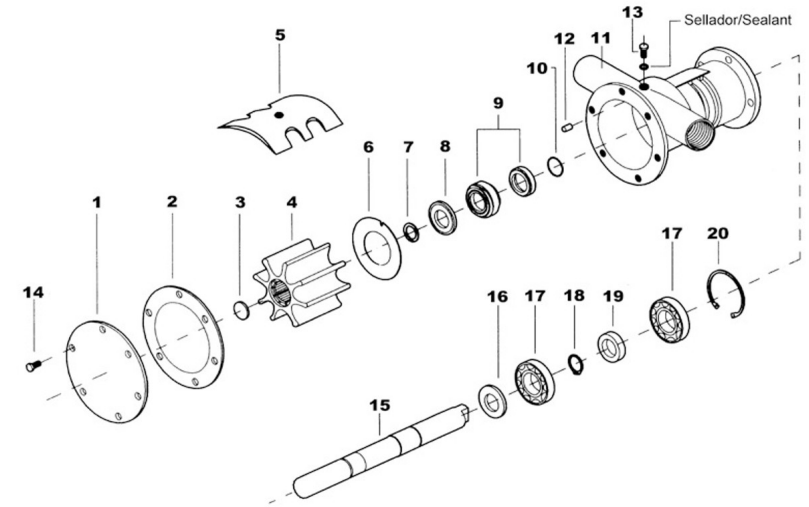
Water Cooler Assy SM-81 TAC (R)

| <i>Fig.</i> | <i>Ref.</i> | <i>Qty.</i> | <i>Descr.</i> | <i>Obs</i> | <i>From</i> | <i>UpTo</i> |
|-------------|-------------|-------------|-----------------|------------|-------------|-------------|
| 33 | 55122008 | 12 | Nut DIN 1587 M8 | | | |
| 34 | 17411015 | 12 | Stud | | | |
| 35 | 17A13002 | 1 | Exhaust Gasket | | | |



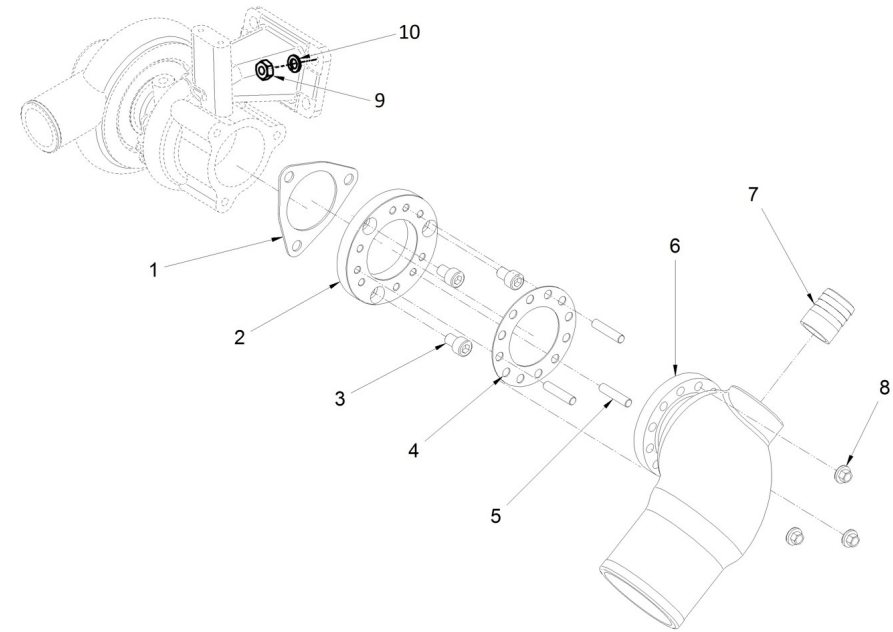
37811000 **Cross Brace Pump 1" SM-82/94 Gen.SM-81**

| Fig. | Ref. | Qty. | Descr. | Obs | From | UpTo |
|------|----------|------|-------------------------|-----|------|------|
| 1 | 34711002 | 1 | Cover Pump | | | |
| 2 | 34711003 | 1 | Gasket Cover | | | |
| 3 | 34711041 | 1 | Impeller Plug | | | |
| 4 | 34711008 | 1 | 1" Impeller | | | |
| 5 | 37811005 | 1 | Cam 6,5 mm | | | |
| 6 | 34711026 | 1 | Plate,Friction | | | |
| 7 | 54040016 | 1 | CIRclip E-16 | | | |
| 8 | 36511018 | 1 | Washer,seal | | | |
| 9 | 36511019 | 1 | Seal | | | |
| 10 | 33311013 | 1 | O-Ring D. 15X2 | | | |
| 11 | 36511001 | 1 | Body,water pump | | | |
| 12 | 36511017 | 1 | Pin,Dowel | | | |
| 13 | 54108154 | 1 | Bolt DIN 84 M6-10 | | | |
| 14 | 54102154 | 6 | Bolt DIN 933 M6-10 INOX | | | |
| 15 | 36511010 | 1 | Shaft,pump | | | |
| 16 | 36511015 | 1 | Spacer 17X24X7 | | | |
| 17 | 33311014 | 2 | Ball Bearing 6203 | | | |
| 18 | 53040017 | 1 | Circlip DIN 471 E-17 | | | |
| 19 | 36511020 | 1 | Seal 16-30-7 | | | |
| 20 | 53041040 | 1 | Circlip DIN 472 I-40 | | | |



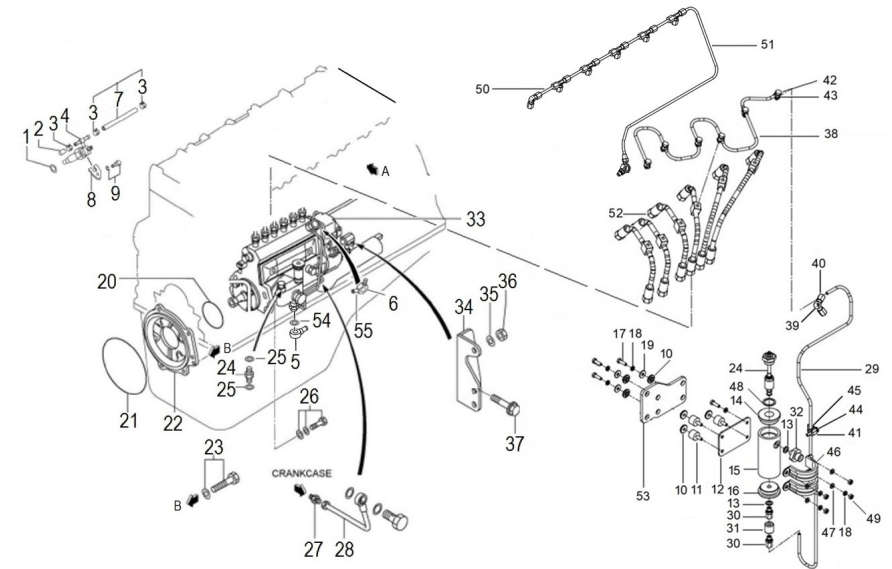
D GP01 3 5 **Wet Exhaust**

| Fig. | Ref. | Qty. | Descr. | Obs | From | UpTo |
|------|----------|------|--------------------------|-----|------|------|
| 1 | 17A21014 | 1 | Turbo Gasket | | | |
| 2 | 17A13014 | 1 | Coupling | | | |
| 3 | 52103306 | 3 | Bolt DIN 912 M10-15 8.8 | | | |
| 4 | 16513016 | 1 | Exhaust Elbow Gasket | | | |
| 5 | 13311006 | 3 | Stud,cover | | | |
| 6 | 16513015 | 1 | Elbow, wet exhaust | | | |
| 7 | 60180007 | 1 | Outlet Coupling | | | |
| 8 | 51125008 | 3 | Nut Exhaust | | | |
| 9 | 55120110 | 4 | Nut DIN 934 M10 | | | |
| 10 | 53033010 | 4 | Washer GROWER DIN 127-10 | | | |



D SM81GTDN 04 1 Fuel Pipe And Fuel Leak Alarm


| Fig. | Ref. | Qty. | Descr. | Obs | From | UpTo |
|------|-------------------------|------|--------------------------------------|-----|------|------|
| 1 | 17024013 | 6 | Gasket Nozzle | | | |
| 2 | 17824008 | 1 | Cap | | | |
| 3 | 17824006 | 13 | Clip,Hose | | | |
| 4 | 17A24004 | 6 | Nozzle Assy | | | |
| 5 | 17A24027 | 1 | Nipple, Swiveling | | | |
| 5 | 19414024 | 1 | Fitting Adapter Male 3/8" to M14x1.5 | | | |
| 6 | 17A14010 | 1 | Return Fuel Joint | | | |
| 7 | 17824005 | 6 | Hose | | | |
| 8 | 17824013 | 6 | Support, Nozzle | | | |
| 9 | 17822118 | 6 | Bolt, Flange | | | |
| 10 | 17A17011 | 8 | Bakelite Bushing | | | |
| 11 | 17414009 | 4 | Anti Vibration Mount | | | |
| 12 | 17517009.6 | 1 | Alarm Bracket | | | |
| 14 | 17517009.3 | 1 | Cover, Upper | | | |
| 15 | 17517009.2 | 1 | Tube | | | |
| 16 | 17517009.4 | 1 | Lower cover | | | |
| 17 | 52102157 | 3 | Bolt DIN 933 M6-20 8.8 | | | |
| 18 | 53033006 | 7 | Washer GROWER DIN 127-6 | | | |
| 19 | 51031006 | 3 | Washer DIN 9021 6 | | | |
| 20 | 17520075 | 1 | O-Ring D. 75X25 | | | |
| 21 | 17420047 | 1 | O-Ring D. 140X2 | | | |
| 22 | 17A25005 | 1 | Flange, inj.pump | | | |
| 23 | 17721012 | 1 | Bolt,W/Washer | | | |
| 24A | 17517009.1 | 1 | Fuel Leak Switch 12V | | | |
| | Figure A for 12V System | | | | | |
| 24B | 17517017.1 | 1 | Fuel Leak Switch 24V | | | |
| | Figure b for 24V System | | | | | |
| 25 | 57000369 | 2 | Washer 14,2-20-1,5 | | | |
| 26 | 17425029 | 4 | Bolt,W/Washer | | | |
| 27 | 17424032 | 1 | Connector | | | |
| 28 | 17524033 | 1 | Pipe,Oil | | | |

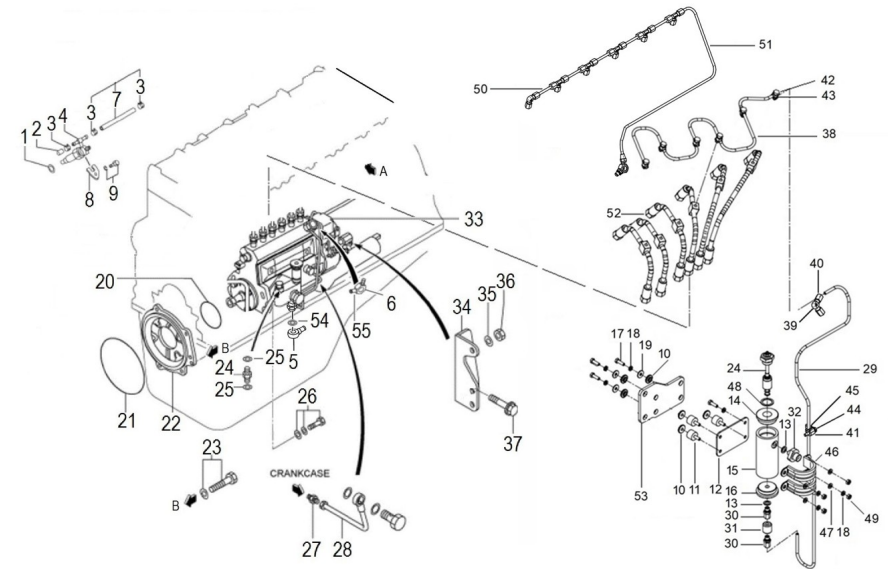


Genset 68 GT/GTC & 84 GTA/GTAC TAC

Fuel System

D SM81GTDN 04 1 Fuel Pipe And Fuel Leak Alarm

| Fig. | Ref. | Qty. | Descr. | Obs | From | UpTo |
|------|-----------|------|---------------------------------------|---|------|------|
| 29 | 17A17022 | 1 | Fuel Leak Pipe | | | |
| 30 | 19414028 | 2 | P-GEV 6LR 1/8 | | | |
| 31 | 17A14029 | 1 | 1/8-28 To M10 Thread Adaptator | | | |
| 32 | 17B14032 | 1 | Fitting 1/8 - 3/8 Nylon | | | |
| 33 | 17A25001 | 1 | Fuel Injection Pump | | | |
| 34 | 17524034 | 1 | Bracket,INJ Pump | | | |
| 35 | 13321016 | 1 | Washer Spring | | | |
| 36 | 17120049 | 1 | Nut M8 | | | |
| 37 | 17425036 | 1 | Bolt,Flange | | | |
| 38 | 17A14018 | 1 | Fuel Return Pipe TAC | | | |
| 39 | 17A14026 | 2 | P-WV 6L Male Stud Equal Elbow Fitting | | | |
| 40 | 17A14025 | 5 | P-TV 6L Male Stud Equal Tee Fitting | | | |
| 41 | 17A10035 | 1 | M6 Bolt With M8 Treat | | | |
| 42 | 1A012007 | 6 | Banjo Bolt M8x1.25 | | | |
| 43 | 56000057 | 12 | Washer 8-13-1,5 | | | |
| 44 | 52102156 | 1 | Bolt DIN 933 M6-16 8.8 | | | |
| 45 | 59071064 | 1 | Clamp RSGU 1 06/15 W1 | | | |
| 46 | 59072482 | 2 | Clamp 2 48/20 W1 | | | |
| 47 | 51030006 | 4 | Washer DIN 125-6 | | | |
| 48 | 56000086 | 1 | Washer 22,3-29-1,5 | | | |
| 49 | 52120006 | 4 | Nut DIN 934 M6 8.8 | | | |
| 50 | 17A14030 | 5 | Steel Pipe 6mm L 80mm | | | |
| 51 | 17A14031 | 1 | Pipe D6mm | | | |
| 52 | 17A24010R | 1 | Double Wall Pipe Kits | | | |
| 53 | 17A14001 | 1 | Double Filter Bracket | | | |
| 54 | 56000069 | 1 | Washer 14-20-1,5 | | | |
| 55 | 17121016 | 1 | Plug, drain | | | |
| NS | 19424101 | 1 | Spray stop kit |  | | |

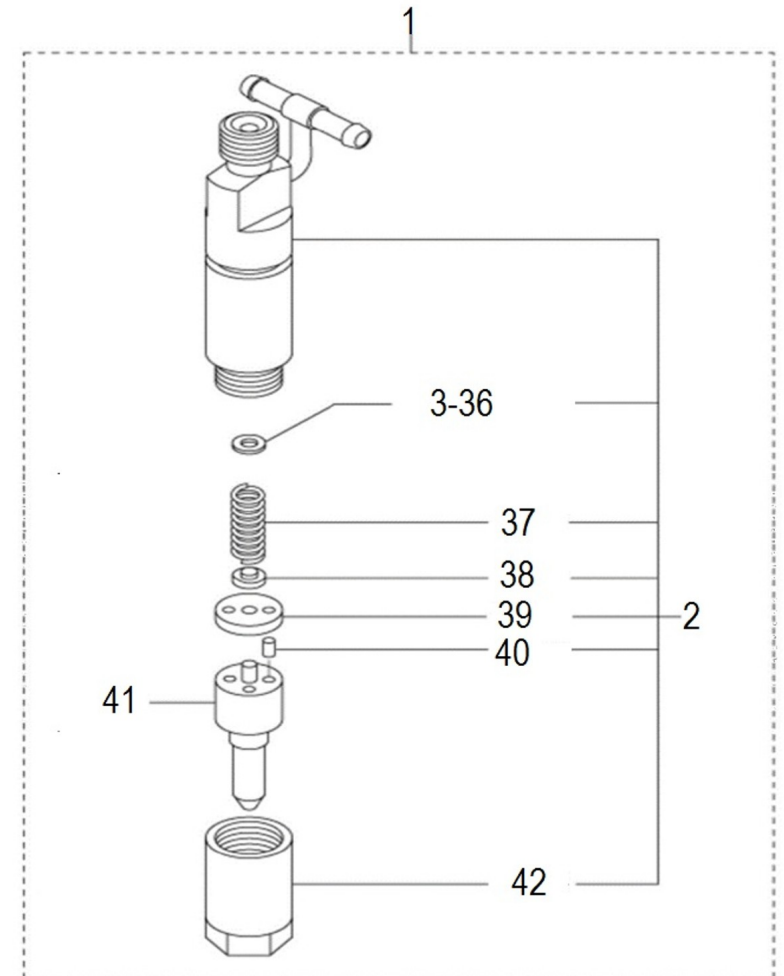


Genset 68 GT/GTC & 84 GTA/GTAC TAC

Fuel System

D SM81GTDN 4 2 Injection Nozzle

| Fig. | Ref. | Qty. | Descr. | Obs | From | UpTo |
|------|----------|------|------------------|-----|------|------|
| 1 | 17A24044 | 1 | Nozzle Assy | | | |
| 2A | 17A26042 | 5 | Injection Nozzle | | | |
| 2B | 17A26043 | 1 | Injection Nozzle | | | |
| 4 | 17026144 | 0 | Washer 1,050 | # | | |
| 5 | 17026145 | 0 | Washer 1,100 | # | | |
| 6 | 17026146 | 0 | Washer 1,150 | # | | |
| 7 | 17026010 | 0 | Washer 1,20 | # | | |
| 8 | 17026011 | 0 | Washer 1,25 | # | | |
| 9 | 17026012 | 0 | Washer 1,30 | # | | |
| 10 | 17026013 | 0 | Washer 1,35 | # | | |
| 11 | 17A26014 | 0 | Washer 4,00 | # | | |
| 12 | 17A26015 | 0 | Washer 4,50 | # | | |
| 13 | 17026016 | 0 | Washer 1,50 | # | | |
| 14 | 17026017 | 0 | Washer 1,55 | # | | |
| 15 | 17026019 | 0 | Washer 1,60 | # | | |
| 16 | 17026020 | 0 | Washer 1,65 | # | | |
| 17 | 17A26021 | 0 | Washer 1,70 | # | | |
| 18 | 17026022 | 0 | Washer 1,75 | # | | |
| 18 | 17A26022 | 0 | Washer 0,950 | # | | |
| 19 | 17026023 | 0 | Washer 1,80 | # | | |
| 19 | 17A26023 | 0 | Washer 0,700 | # | | |
| 20 | 17026131 | 0 | Washer 1,275 | # | | |
| 21 | 17026132 | 0 | Washer 1,325 | # | | |
| 22 | 17026133 | 0 | Washer 1,375 | # | | |
| 23 | 17026134 | 0 | Washer 1,425 | # | | |
| 24 | 17026135 | 0 | Washer 1,475 | # | | |
| 27 | 17A26024 | 0 | Washer 0,750 | # | | |
| 28 | 17A26025 | 0 | Washer 0,800 | # | | |
| 29 | 17A26026 | 0 | Washer 0,850 | # | | |
| 30 | 17A26027 | 0 | Washer 0,900 | # | | |
| 31 | 17A26028 | 0 | Washer 0,975 | # | | |

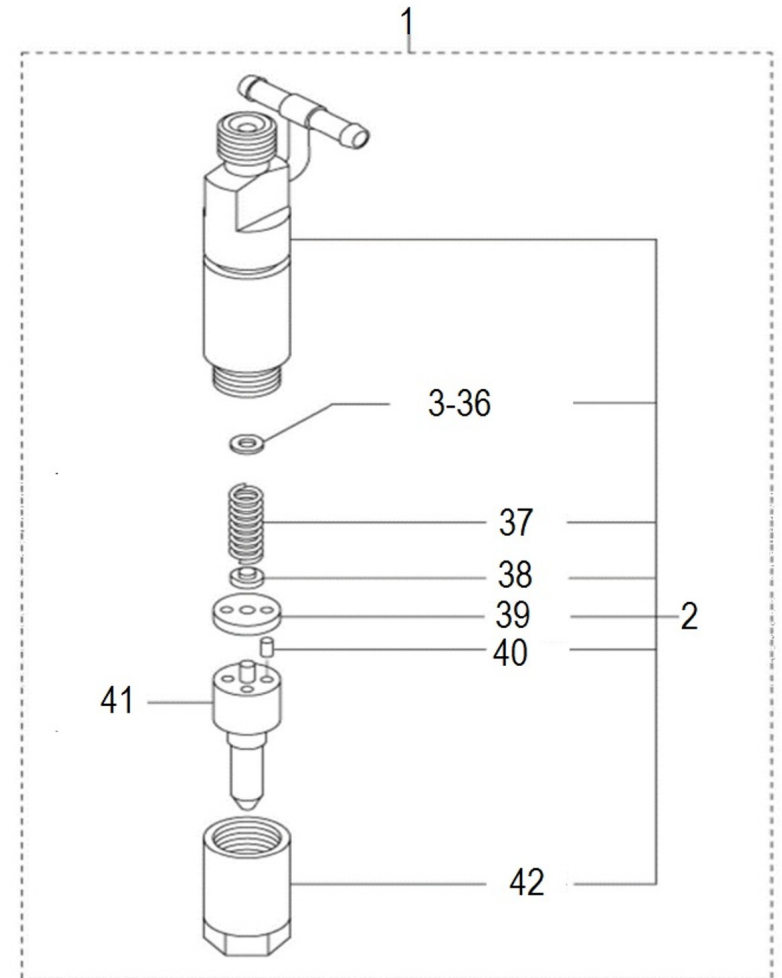


Genset 68 GT/GTC & 84 GTA/GTAC TAC

Fuel System

D SM81GTDN 4 2 Injection Nozzle

| Fig. | Ref. | Qty. | Descr. | Obs | From | UpTo |
|------|----------|------|-----------------|-----|------|------|
| 32 | 17A26029 | 0 | Washer 1,025 | # | | |
| 33 | 17A26030 | 0 | Washer 1,075 | # | | |
| 34 | 17A26031 | 0 | Washer 1,125 | # | | |
| 35 | 17A26032 | 0 | Washer 1,175 | # | | |
| 36 | 17A26033 | 0 | Washer 1,225 | # | | |
| 37 | 17026104 | 6 | Spring,pressure | | | |
| 38 | 17026103 | 6 | Pin,pressure | | | |
| 39 | 17026107 | 6 | Packing,tip | | | |
| 40 | 17026008 | 12 | Pin Straight | | | |
| 41 | 17A26034 | 6 | Nozzle Assy | | | |
| 42 | 17A26006 | 6 | Nut | | | |

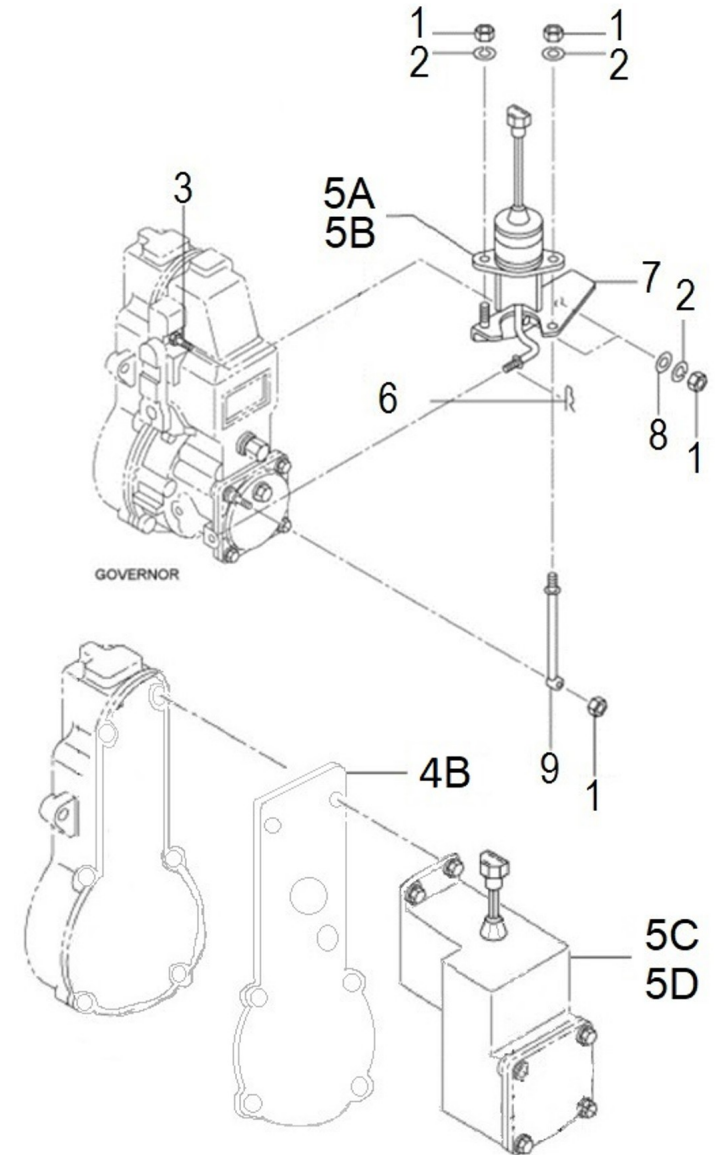


Genset 68 GT/GTC & 84 GTA/GTAC TAC

Fuel System

D GP01 4 4 Governor Parts

| Fig. | Ref. | Qty. | Descr. | Obs | From | UpTo |
|----------------------------------|------------|------|--|-----|------|------|
| 1 | 17223032 | 5 | Nut | | | |
| 2 | 53033006 | 4 | Washer GROWER DIN 127-6 | | | |
| 3 | 17427003G | 2 | Rod,Solenoid | | | |
| 4B | 60972518 | 1 | Assembly kit for 175 series actuator | | | |
| Figure b for Parallel System | | | | | | |
| 5A | 17424025G | 1 | Solenoid | | | |
| Figure A for 12V System | | | | | | |
| 5B | 17425264.2 | 1 | Solenoid 24V | | | |
| Figure b for 24V System | | | | | | |
| 5C | 60972516 | 1 | G.A.C 175 Series 12V Integrated Actuator | | | |
| Figure C for Parallel System 12V | | | | | | |
| 5D | 60972520 | 1 | G.A.C. 175 Series 24V Integrated Actuat. | | | |
| Figure D for Parallel System 24V | | | | | | |
| 6 | 17427009G | 1 | Clip | | | |
| 7 | 17427005G | 1 | Bracket | | | |
| 8 | 51030006 | 2 | Washer DIN 125-6 | | | |
| 9 | 17427006G | 1 | ROD,Support | | | |



D 17A14002 Kit 2nd Fuel Filter TAC

| <i>Fig.</i> | <i>Ref.</i> | <i>Qty.</i> | <i>Descr.</i> | <i>Obs</i> | <i>From</i> | <i>UpTo</i> |
|-------------|-------------|-------------|---|------------|-------------|-------------|
| 1 | 19424022 | 2 | Fuel Filter Element SDZ-165/205/280 | | | |
| 2 | 51030010 | 2 | Washer DIN 125-10 | | | |
| 3 | 53033010 | 2 | Washer GROWER DIN 127-10 | | | |
| 4 | 17A14001 | 1 | Double Filter Bracket | | | |
| 5 | 52120010 | 2 | Nut DIN 934 M10 8.8 | | | |
| 6 | 52102360 | 2 | Bolt DIN 933 M12-35 8.8 | | | |
| 8 | 52102258 | 1 | Bolt DIN 933 M8-25 8.8 | | | |
| 9 | 53033008 | 1 | Washer GROWER DIN 127-8 | | | |
| 10 | 19414024 | 1 | Fitting Adapter Male 3/8" to M14x1.5 | | | |
| 11 | 17A14023 | 1 | Fuel Hose DNV | | | |
| 12 | 17A14024 | 1 | Fuel Hose DNV | | | |
| 13 | 19414039 | 2 | Racor Fitting Male M18x150-M20x150 | | | |
| 14 | 57000369 | 2 | Washer 14,2-20-1,5 | | | |
| 15 | 1A010023 | 1 | Spacer | | | |
| 16 | 56000069 | 1 | Washer 14-20-1,5 | | | |
| 17 | 17414002 | 1 | Bracket | | | 22/05/2023 |
| 17 | 17414008 | 1 | Fuel Filter Cover | | 23/05/2023 | |
| 18 | 52101311 | 2 | Bolt DIN 931 M10-40 8.8 | | | 22/05/2023 |
| 18 | 52101318 | 2 | Bolt DIN 931 M10-75 8.8 | | 23/05/2023 | |
| 19 | 56000228 | 2 | Copper Washer 18-24-3 | | 23/05/2023 | |
| 19 | 57000378 | 2 | Washer 18-24-1,5 | | | 22/05/2023 |
| 20 | 17314041 | 1 | Straight Connection Fitting M18X150-3/8"BSP | | 01/01/2025 | |
| 21 | 19414042 | 1 | Female Racord Fitting G 3/8 | | 01/01/2025 | |
| 22 | 17A17038 | 1 | Conversion Adapter G3/8 A G1/4 | | 01/01/2025 | |
| 23 | 60994076 | 1 | Marine Approved Pressure Transmitters | | 01/01/2025 | |
| 24 | 17314042 | 1 | Straight Connection Fitting M20X150-3/8"BSP | | 01/01/2025 | |

IMAGEN
DISPONIBLE
PRÓXIMAMENTE

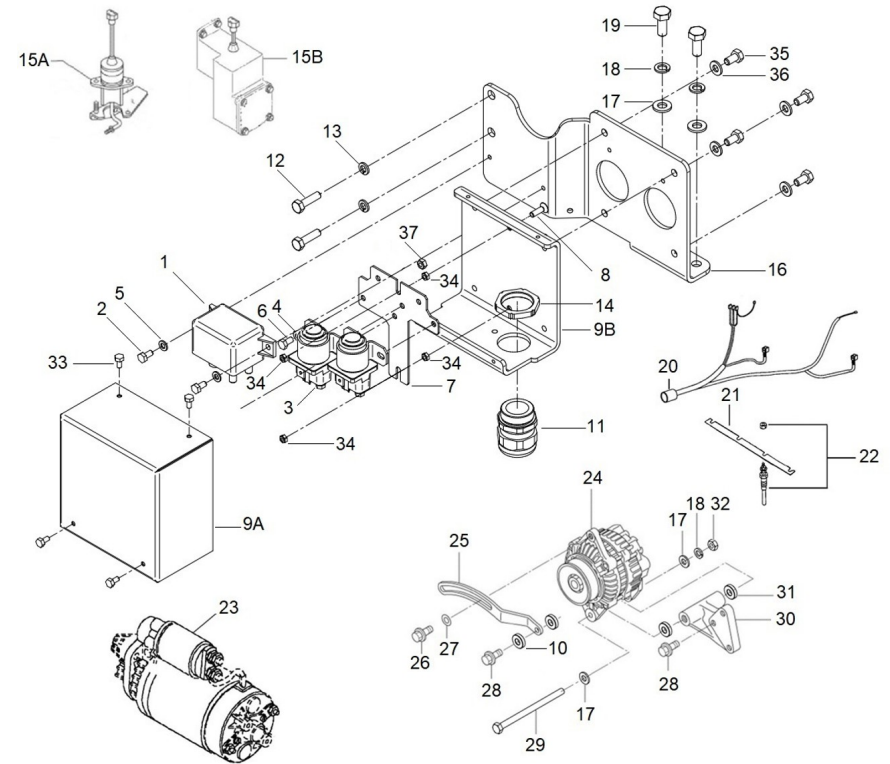
IMAGE AVAILABLE
COMING SOON

Genset 68 GT/GTC & 84 GTA/GTAC TAC

Electrical System

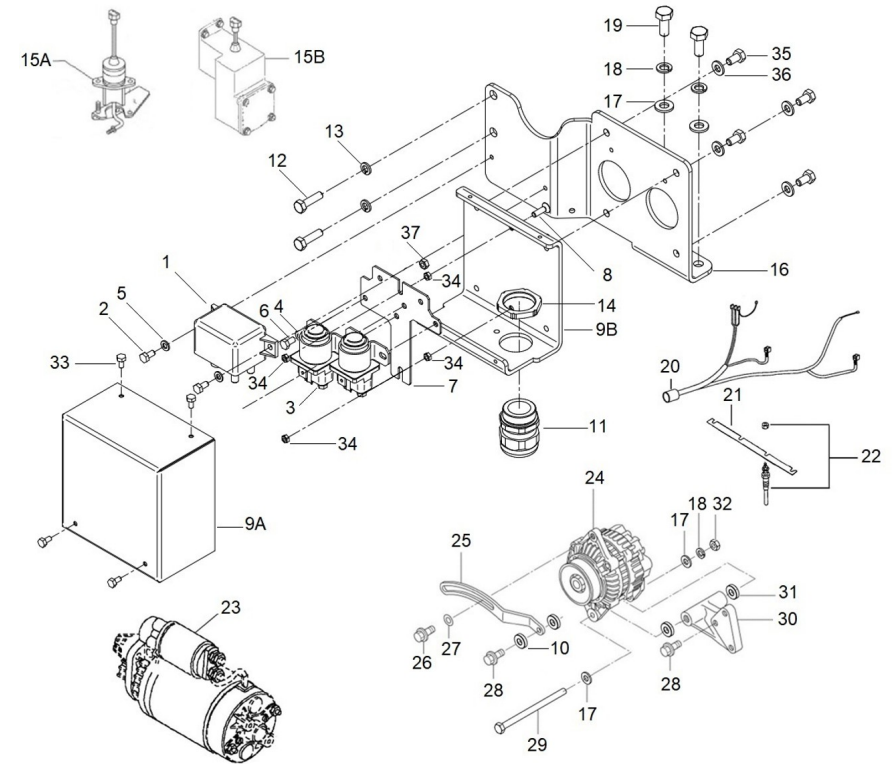
D SM81GTDN 05 1 Electrical System 12V

| Fig. | Ref. | Qty. | Descr. | Obs | From | UpTo |
|------|------------------------------|------|--|-----|------|------|
| 1 | 19017113 | 1 | Relay 12V Earth Isolated Nagares | | | |
| 2 | 52102154 | 2 | Bolt DIN 933 M6-10 8.8 | | | |
| 3 | 17527005 | 2 | Relay 12V 200A | | | |
| 4 | 58030603 | 4 | Washer DIN 125-6 Nylon | | | |
| 5 | 51030006 | 2 | Washer DIN 125-6 | | | |
| 6 | 58101155 | 4 | Bolt DIN 933 M6-12 Nylon | | | |
| 7 | 6097A002.03 | 1 | Relay Bracket | | | |
| 8 | 54105157 | 2 | Bolt DIN 7991 M6-20 INOX. | | | |
| 9A | 6097A004 | 1 | Back Part Metal Box | | | |
| 9B | 6097A005 | 1 | Metal Box Cover | | | |
| 10 | 17117012 | 2 | Tensor Bakelite Bushing | | | |
| 11 | 60900313 | 1 | Cable Gland Captor-2000 PG29 | | | |
| 12 | 52102259 | 2 | Bolt DIN 933 M8-30 8.8 | | | |
| 13 | 53033008 | 2 | Washer GROWER DIN 127-8 | | | |
| 14 | 60900314 | 1 | Hexagonal Locknut Captor-2000 PG29 | | | |
| 15A | 17424025G | 1 | Solenoid | | | |
| | Figure A for Standard System | | | | | |
| 15B | 60972516 | 1 | G.A.C 175 Series 12V Integrated Actuator | | | |
| | Figure b for Parallel System | | | | | |
| 16 | 17A17036 | 1 | Relays Box Bracket | | | |
| 17 | 51030010 | 4 | Washer DIN 125-10 | | | |
| 18 | 53033010 | 3 | Washer GROWER DIN 127-10 | | | |
| 19 | 52102308 | 2 | Bolt DIN 933 M10-25 8.8 | | | |
| 20 | 6097A206 | 1 | Elect. Inst. G. G. SM-81 SM-103 TAC | | | |
| 21 | 17527018 | 1 | Plate Glow Plug | | | |
| 22 | 17827017 | 6 | Plug, Glow | | | |
| 23 | 17527001G | 1 | Starter Assy 12 V | | | |
| 24 | 17427010G | 1 | Alternator 12V/50A | | | |
| 25 | 17427007.1 | 1 | Plate, Adjusting | | | |
| 26 | 13827012 | 1 | Bolt | | | |
| 27 | 17331008 | 1 | Washer | | | |



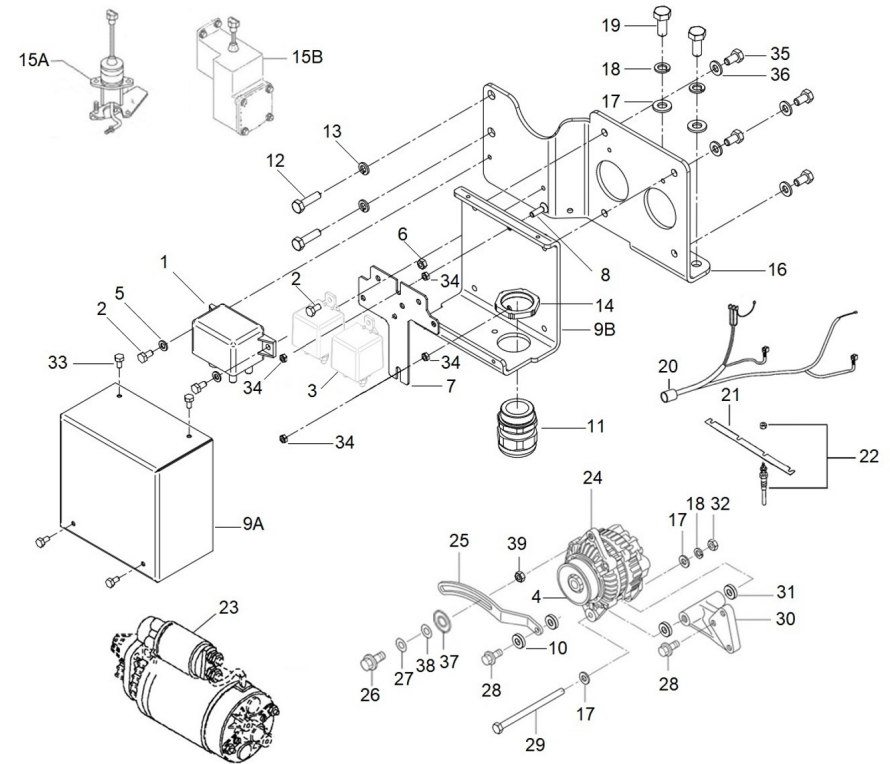
D SM81GTDN 05 1 Electrical System 12V

| Fig. | Ref. | Qty. | Descr. | Obs | From | UpTo |
|------|-------------|------|------------------------------------|-----|------|------|
| 28 | 17425036 | 2 | Bolt,Flange | | | |
| 29 | 52101326 | 1 | Bolt DIN 931 M10-130 8.8 | | | |
| 30 | 17427002G.1 | 1 | Alternator Bracket, Earth Isolated | | | |
| 31 | 17117011 | 2 | Bracket Bakelite Bushing | | | |
| 32 | 52120010 | 1 | Nut DIN 934 M10 8.8 | | | |
| 33 | 52102104 | 4 | Bolt DIN 933 M5-10 8.8 | | | |
| 34 | 52120005 | 4 | Nut DIN 934 M5 8.8 | | | |
| 35 | 52102256 | 4 | Bolt DIN 933 M8-16 8.8 | | | |
| 36 | 51030008 | 4 | Washer DIN 125-8 | | | |
| 37 | 52120006 | 4 | Nut DIN 934 M6 8.8 | | | |
| NS | 60900956 | 1 | 10k ohm Resistor | | | |



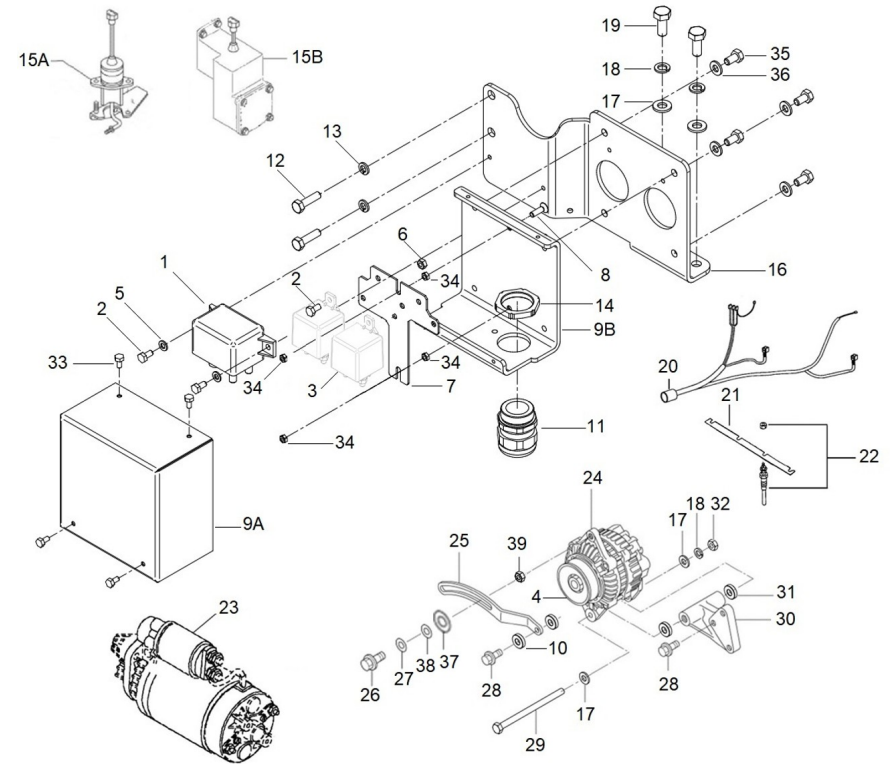
D SM81GTDN 05 2 Electrical System 24V

| Fig. | Ref. | Qty. | Descr. | Obs | From | UpTo |
|------|------------------------------|------|--|-----|------|------|
| 1 | 19017114 | 1 | Relay 24V Earth Isolated Nagares | | | |
| 2 | 52102154 | 4 | Bolt DIN 933 M6-10 8.8 | | | |
| 3 | 17417005 | 2 | Relay 24V 24-100 | | | |
| 4 | 17517010 | 1 | Pulley | | | |
| 5 | 51030006 | 2 | Washer DIN 125-6 | | | |
| 6 | 52120006 | 2 | Nut DIN 934 M6 8.8 | | | |
| 7 | 6097A002.03 | 1 | Relay Bracket | | | |
| 8 | 54105157 | 2 | Bolt DIN 7991 M6-20 INOX. | | | |
| 9A | 6097A004 | 1 | Back Part Metal Box | | | |
| 9B | 6097A005 | 1 | Metal Box Cover | | | |
| 10 | 17117012 | 2 | Tensor Bakelite Bushing | | | |
| 11 | 60900313 | 1 | Cable Gland Captor-2000 PG29 | | | |
| 12 | 52102259 | 2 | Bolt DIN 933 M8-30 8.8 | | | |
| 13 | 53033008 | 2 | Washer GROWER DIN 127-8 | | | |
| 14 | 60900314 | 1 | Hexagonal Locknut Captor-2000 PG29 | | | |
| 15A | 17425264.2 | 1 | Solenoid 24V | | | |
| | Figure A for Standard System | | | | | |
| 15B | 60972520 | 1 | G.A.C. 175 Series 24V Integrated Actuat. | | | |
| | Figure b for Parallel System | | | | | |
| 16 | 17A17036 | 1 | Relays Box Bracket | | | |
| 17 | 51030010 | 4 | Washer DIN 125-10 | | | |
| 18 | 53033010 | 3 | Washer GROWER DIN 127-10 | | | |
| 19 | 52102308 | 2 | Bolt DIN 933 M10-25 8.8 | | | |
| 20 | 6097A206 | 1 | Elect. Inst. G. G. SM-81 SM-103 TAC | | | |
| 21 | 17527018 | 1 | Plate Glow Plug | | | |
| 22 | 17A27017 | 6 | Glow Plug 24V | | | |
| 23 | 17527001.2 | 1 | Starter Assy 24V | | | |
| 24 | 17417024 | 1 | Alternator 28V/55A | | | |
| 25 | 17427007.1 | 1 | Plate, Adjusting | | | |
| 26 | 52101260 | 1 | Bolt DIN 931 M8-35 8.8 | | | |
| 27 | 51031008 | 1 | Washer DIN 9021 8 | | | |



D SM81GTDN 05 2 Electrical System 24V





| Fig. | Ref. | Qty. | Descr. | Obs | From | UpTo |
|------|---------------|------|------------------------------------|-----|------|------|
| 28 | 17425036 | 2 | Bolt, Flange | | | |
| 29 | 52101326 | 1 | Bolt DIN 931 M10-130 8.8 | | | |
| 30 | 17427002.5 | 1 | Alternator Bracket, Earth Isolated | | | |
| 31 | 17117011 | 2 | Bracket Bakelite Bushing | | | |
| 32 | 52120010 | 1 | Nut DIN 934 M10 8.8 | | | |
| 33 | 52102104 | 4 | Bolt DIN 933 M5-10 8.8 | | | |
| 34 | 52120005 | 4 | Nut DIN 934 M5 8.8 | | | |
| 35 | 52102256 | 4 | Bolt DIN 933 M8-16 8.8 | | | |
| 36 | 51030008 | 4 | Washer DIN 125-8 | | | |
| 37 | 51030018 | 1 | Washer DIN 125-18 | | | |
| 38 | 53038008 | 1 | Washer DIN 6798-A 8 | | | |
| 39 | 52120008 | 1 | Nut DIN 934 M8 8.8 | | | |
| NS | 60900063 | 4 | Insulator Cap Faston 6.3 | | | |
| NS | 60900956 | 1 | 10k ohm Resistor | | | |
| NS | TFH.1M.6.3.08 | 4 | Straight Receptacle 1 Sec. Faston | | | |

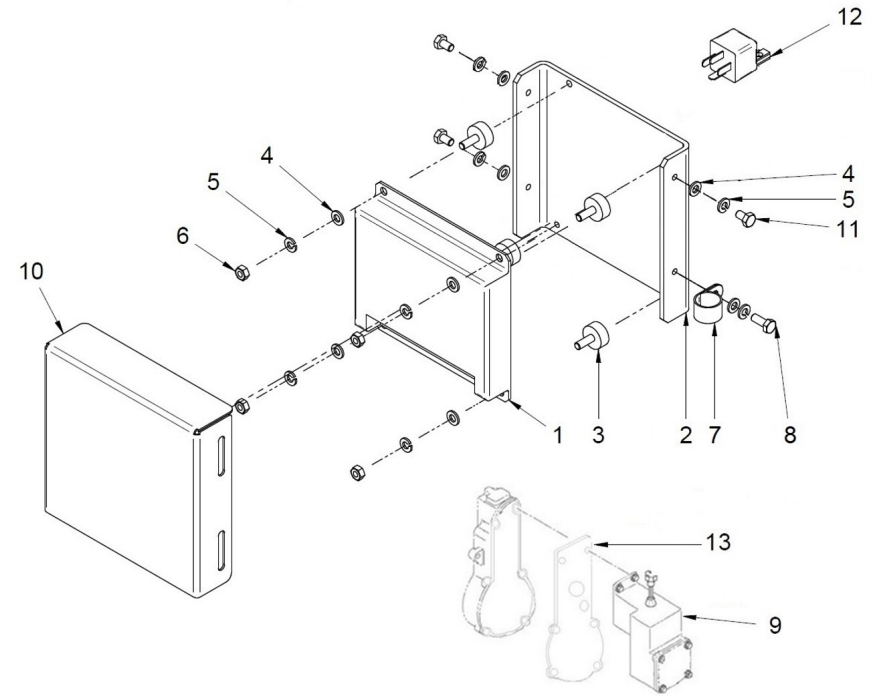


Genset 68 GT/GTC & 84 GTA/GTAC TAC

Electrical System

D 6097A505 Parallel Control System 12V





| Fig. | Ref. | Qty. | Descr. | Obs | From | UpTo |
|------|-------------|------|--|---|------------|------------|
| 1 | 60972521 | 1 | Speed Control Unit G.A.C. ESD-5500 Ser. | | | |
| 2 | 17317007 | 1 | Electronic Unit Bracket | | | |
| 3 | 17A14009 | 4 | Anti Vibration Mount M6 | | | |
| 4 | 51030006 | 8 | Washer DIN 125-6 | | | |
| 5 | 53033006 | 8 | Washer GROWER DIN 127-6 | | | |
| 6 | 52120006 | 4 | Nut DIN 934 M6 8.8 | | | |
| 7 | 59071224 | 1 | Clamp RSGU 1 22/15 W1 | | | 15/11/2023 |
| 7 | 59071324 | 1 | Clamp RSGU 1 32/15 W1 | | 15/11/2023 | |
| 8 | 52102156 | 1 | Bolt DIN 933 M6-16 8.8 | | | |
| 9 | 60972516 | 1 | G.A.C 175 Series 12V Integrated Actuator | | | |
| 10 | 17317008 | 1 | Parallel electronic unit cover | | | |
| 11 | 52102154 | 3 | Bolt DIN 933 M6-10 8.8 | | | |
| 12 | 63900028 | 1 | Relay 12V 40/15A NO+NC with Diode | | | |
| 13 | 60972518 | 1 | Assembly kit for 175 series actuator | | | |
| NS | 17420025 | 1 | Gasket,Rear |  | | |
| NS | 58088284 | 1 | Pastic Cable Zip Tie |  | | |
| NS | 60972517 | 1 | Connector for actuator Packard type |  | | |
| NS | 60974223DNV | 1 | Auxiliary Installation Parallel TAC Genset |  | | |

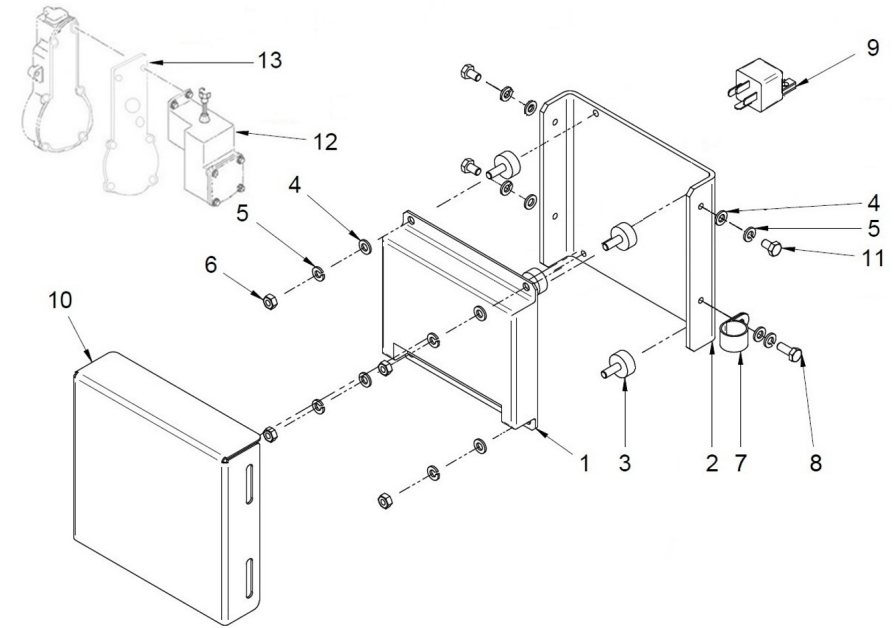


Genset 68 GT/GTC & 84 GTA/GTAC TAC

Electrical System

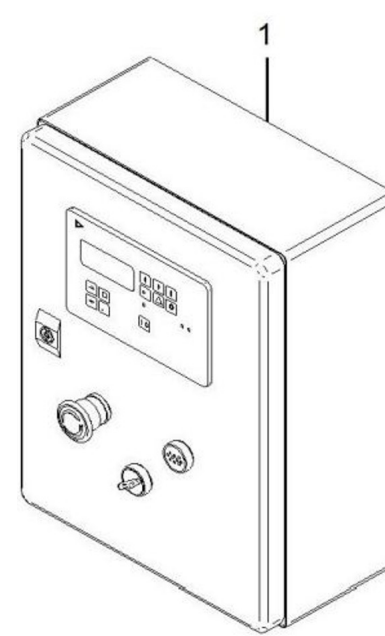
D 6097A506 Parallel Control System 24V

| Fig. | Ref. | Qty. | Descr. | Obs | From | UpTo |
|------|-------------|------|--|---|------------|------------|
| 1 | 60972521 | 1 | Speed Control Unit G.A.C. ESD-5500 Ser. | | | |
| 2 | 17317007 | 1 | Electronic Unit Bracket | | | |
| 3 | 17A14009 | 4 | Anti Vibration Mount M6 | | | |
| 4 | 51030006 | 8 | Washer DIN 125-6 | | | |
| 5 | 53033006 | 8 | Washer GROWER DIN 127-6 | | | |
| 6 | 52120006 | 4 | Nut DIN 934 M6 8.8 | | | |
| 7 | 59071224 | 1 | Clamp RSGU 1 22/15 W1 | | | 15/11/2023 |
| 7 | 59071324 | 1 | Clamp RSGU 1 32/15 W1 | | 15/11/2023 | |
| 8 | 52102156 | 1 | Bolt DIN 933 M6-16 8.8 | | | |
| 9 | 63900029 | 1 | Relay 24V 22/10A NO+NC with Diode | | | |
| 10 | 17317008 | 1 | Parallel electronic unit cover | | | |
| 11 | 52102154 | 3 | Bolt DIN 933 M6-10 8.8 | | | |
| 12 | 60972520 | 1 | G.A.C. 175 Series 24V Integrated Actuat. | | | |
| 13 | 60972518 | 1 | Assembly kit for 175 series actuator | | | |
| NS | 17420025 | 1 | Gasket,Rear |  | | |
| NS | 60900330 | 4 | SUPERSEAL yello rubber protection |  | | |
| NS | 60972517 | 1 | Connector for actuator Packard type |  | | |
| NS | 60974223DNV | 1 | Auxiliary Installation Parallel TAC Genset |  | | |



D SM81GTDN 05 4 Control and Power Cabinets

| Fig. | Ref. | Qty. | Descr. | Obs | From | UpTo |
|------|----------|------|--|-----|------|------|
| 1C | 6097A215 | 2 | Box CO 40 17/25/35/45/50/68 GT TAC 12V | | | |
| 1C | 6097A217 | 1 | Box CO 40 17/25/35/45/50/68 GT TAC 12V Prep.Par. | | | |
| 1D | 6097A219 | 1 | Box CO 40 17/25/35/45/50/68 GT TAC 24V Prep.Par. | | | |
| 1D | 6097A220 | 2 | Box CO 40 17/25/35/45/50/68 GT TAC 24V | | | |
| 2A | 6097A750 | 1 | Parallel Kit 68 GT 230V TAC Control 12V | | | |
| 2B | 6097A751 | 1 | Parallel Kit 68 GT 230V TAC Control 24V | | | |
| 2C | 6097A752 | 1 | Parallel Kit 68 GT 400/230V TAC Control 12V | | | |
| 2D | 6097A753 | 1 | Parallel Kit 68 GT 400/230V TAC Control 24V | | | |
| 2E | 60971754 | 1 | Parallel Kit 84 GTA 240V TAC Control 24V | | | |
| 2F | 60971755 | 1 | Parallel Kit 84 GTA 240V TAC Control 12V | | | |
| 2G | 60994756 | 1 | Parallel Kit 84 GTA 480/277V TAC Control 12V | | | |
| 2H | 60994757 | 1 | Parallel Kit 84 GTA 480/277V TAC Control 24V | | | |



D 1138T **Genset Extension TAC**

| <i>Fig.</i> | <i>Ref.</i> | <i>Qty.</i> | <i>Descr.</i> | <i>Obs</i> | <i>From</i> | <i>UpTo</i> |
|-------------|-------------|-------------|---|------------|-------------|-------------|
| 1A | 6097A216 | 1 | Wiring Extension Genset TAC 6 M. | | | |
| 1B | 6097A218 | 1 | Wiring Extension TAC Genset 12 M. CPC 37 V. | | | |
| 1C | 60974552 | 1 | 3-way Wiring Wxtension for Auxilliary Kits 4 m | | | |
| 1D | 60900165 | 1 | 3-way Wiring Extension for Auxilliary Kits 6 m | | | |
| 1F | 60900166 | 1 | 3-way Wiring Extension for Auxilliary Kits 12 m | | | |
| 1G | 60900167 | 1 | 3-way Wiring Extension for Auxilliary Kits 24 m | | | |
| 1H | 60972104 | 1 | Double Panel SCO 12 M. Harness | | | |
| 1I | 60972105 | 1 | Double Panel SCO 24 M. Harness | | | |
| 1J | 60972110 | 1 | Double Panel SCO 36 M. Harness | | | |
| 1K | 60974227.12 | 1 | AVR External Control Cable 12m. | | | |
| 1L | 60974228.12 | 1 | ECU External Control Cable 12m. | | | |
| 1M | 60974227.24 | 1 | AVR External Control Cable 24m. | | | |
| 1N | 60974228.24 | 1 | ECU External Control Cable 24m. | | | |



D SM81GTST 06 1

Alternators 68 GT/GTC AND 84 GTA/GTAC

| Fig. | Ref. | Qty. | Descr. | Obs | From | UpTo |
|------|-------------------|------|--|-----|------|------|
| 1A | 605113075ZI2R | 1 | Alt.MECCALTE III 75KVA 400/230V C-Type (R) | | | |
| 1B | 605113075ZI3R | 1 | Alt. MECCALTE III 75 KVA 230V C-Type (R) | | | |
| 1C | 605113075PI2R | 1 | Alt.MECCALTE III 75KVA 400/230V C-Type Parallel (R) | | | |
| 1D | 605113075PI3R | 1 | Alt. MECC. III 75 KVA 230V C-Type Parallel (R) | | | |
| 1E | 605123090ZI4R | 1 | Alt. MECC.ALTE III 90KVA 1800 480/277 C-TYPE (R) | | | |
| 1F | 605123090ZI5R | 1 | Alt. MECCALTE III 90 KVA 240V C-Type (R) | | | |
| 1G | 605123090PI4R | 1 | Alt. MECC. III 90 KVA 480/277V C-Type Parallel (R) | | | |
| 1H | 605123090PI2R | 1 | Alt. MECC. III 90 KVA 240V C-Type Parallel (R) | | | |
| 1I | 605113075ZI1RCTC | 1 | Subst. Alt. MECC. Type B For Type C III 75KVA 150023 | | | |
| 1J | 605113075ZI0RCTC | 1 | Subst. Alt. MECC. Type B For Type C III 75KVA 150040 | | | |
| 1K | 605113075ZPI1RCTC | 1 | Subst. Alt. MECC. Type B For Type C III 75KVA 1500 2 | | | |
| 1L | 605113075ZPI0RCTC | 1 | Subst. Alt. MECC. Type B For C III 75KVA 1500400/230 | | | |
| 1M | 605123090ZI3RCTC | 1 | Subst. Alt. MECC. Type B For Type C III 90KVA 180023 | | | |
| 1N | 605123090ZI2RCTC | 1 | Subst. Alt. MECC. Type B For Type C III 90KVA 1800 4 | | | |
| 1O | 605123090PI3RCTC | 1 | Subst. Alt. MECC. Type B For C III 90KVA 1800RPM 240 | | | |
| 1P | 605123090ZPI0RCTC | 1 | Subst. Alt. MECC. Type B For C III 90KVA 1800 480/27 | | | |

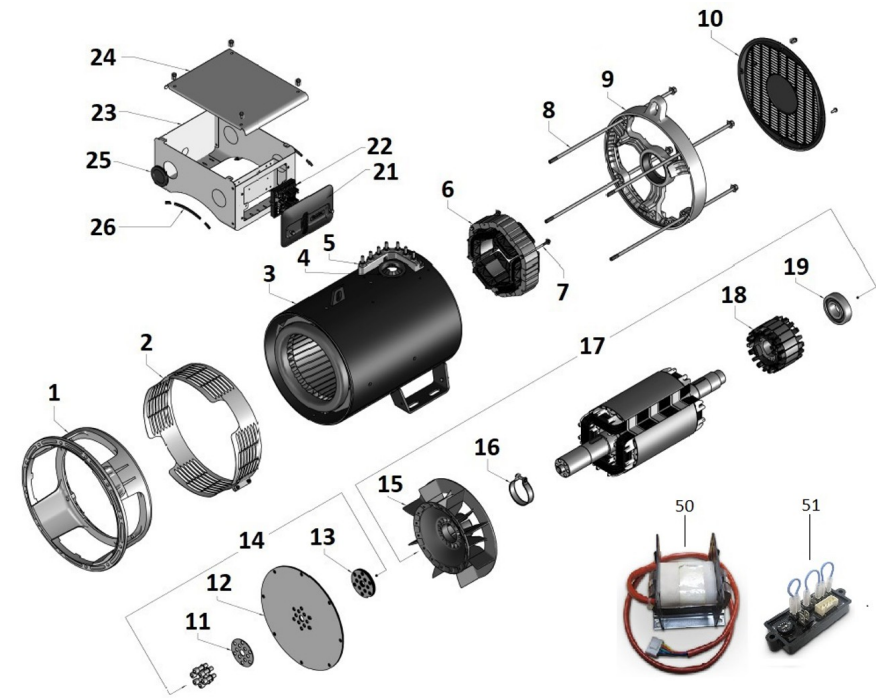


Genset 68 GT/GTC & 84 GTA/GTAC TAC

Genset Alternator Spare Parts

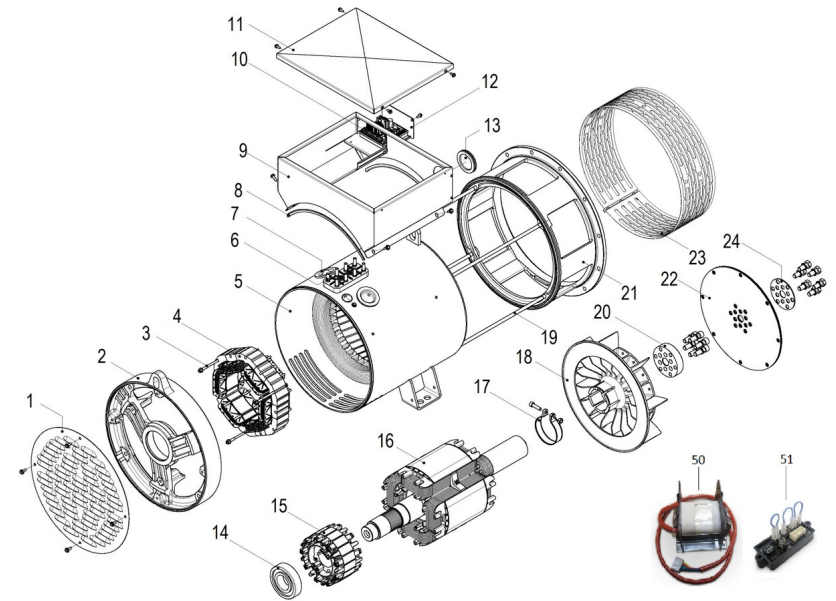
D SM81GTST 06 2 Spare Part List Alternator Type C

| Fig. | Ref. | Qty. | Descr. | Obs | From | UpTo |
|------|-----------------|------|---|-----|------|------|
| 1 | 605113050ZI6.1 | 1 | Drive End Bracket | | | |
| 2 | 605113050ZI6.2 | 1 | Protection Screen | | | |
| 3 | 605113050ZI6.3 | 1 | Frame and Stator | | | |
| 4 | 605113050ZI6.4 | 1 | Cable Grommet diam. 70 mm | | | |
| 5 | 605113050ZI6.5 | 1 | Terminal Board 7 Pin M8 | | | |
| 6 | 605113050Z4.4 | 1 | Exciter Stator H-45 6P | | | |
| 7 | 605113050ZI6.6 | 1 | Exciter Stay Bolt H-45 | | | |
| 8 | 605113050ZI6.7 | 1 | Cover Stay Bolt | | | |
| 9 | 605113050ZI6.8 | 1 | Aluminium Non Drive End Bracket | | | |
| 10 | 605113050ZI6.9 | 1 | Rear Seal | | | |
| 11 | 605113050Z4.23 | 1 | Disc Bloking Ring-Spacer | | | |
| 12 | 605113050ZI6.10 | 1 | Disc SAE 11,5 | | | |
| 13 | 605113050Z4.19 | 1 | Ring Spacer Vol. 8 - 10 | | | |
| 14 | 605113050Z4.21 | 1 | Kit Coupling Disc Plates SAE 11,5 | | | |
| 15 | 605113050Z4.17 | 1 | Plastic Fan | | | |
| 16 | 605113050Z4.16 | 1 | Clamp | | | |
| 17 | 605113050ZI6.11 | 1 | Rotor Assy | | | |
| 18 | 605113050ZI6.12 | 1 | Exciter Armature H-45 6P (+ Diodes T30) | | | |
| 19 | 605113050Z4.13 | 1 | Rear Bearing 6309-2RS C3 | | | |
| 21 | M9909505310 | 1 | Regulator Cap | | | |
| 22 | 60500023.1 | 1 | Electronic Regulator DSR | | | |
| 23 | M7510603373 | 1 | Terminal Box | | | |
| 24 | M9903910114 | 1 | Terminal Box Lid | | | |
| 25 | 605113050Z4.12 | 1 | Cable Grommet | | | |
| 26 | 605113050Z4.8 | 1 | PVC Rubber Profile | | | |
| 50 | 60511386P | 1 | PD500 Parallel Device | | | |
| 51 | 60511387P | 1 | PD-I Parallel Device | | | |
| NS | 605113050Z4.25 | 1 | Kit USB2DxR | ☒ | | |
| NS | 60511315.1.11 | 1 | Diode Bridge T30 | ☒ | | |



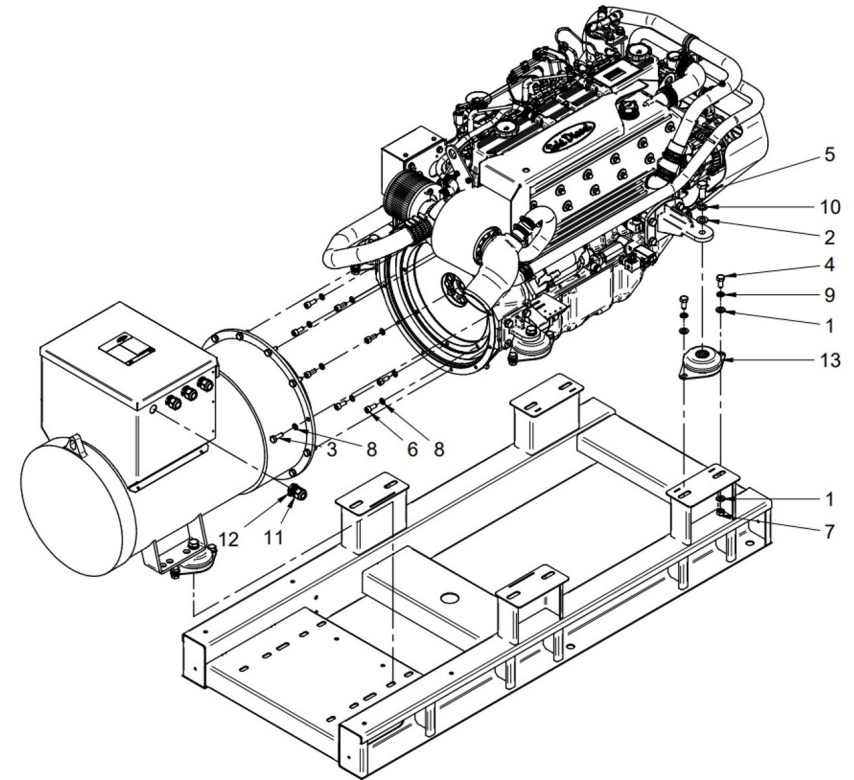
D SM81GTST 06 3 Spare Part List Alternator Type B Upto 29/12/2021

| Fig. | Ref. | Qty. | Descr. | Obs | From | UpTo |
|------|----------------|------|------------------------------------|-----|------|------|
| 1 | 605113075Z0.1 | 1 | Rear seal | | | |
| 2 | 605113075Z0.2 | 1 | Non drive end bracket | | | |
| 3 | 605113075Z0.3 | 1 | Exciter stay bolt H-55 (L) | | | |
| 4 | 605113075Z0.4 | 1 | 9910356051 | | | |
| 5 | 605113075Z0.5 | 1 | Frame and stator 3L | | | |
| 6 | 605113075Z0.6 | 1 | Terminal board 8 pin | | | |
| 7 | 605113075Z0.7 | 1 | Cable grommet | | | |
| 8 | 605113075Z0.8 | 1 | PVC rubber profile | | | |
| 9 | 605113075Z0.9 | 1 | Terminal box | | | |
| 10 | 60500023.1 | 1 | Electronic Regulator DSR | | | |
| 11 | 605113075Z0.10 | 1 | Terminal box lid | | | |
| 12 | 605113075Z0.11 | 1 | Regulator holding panel | | | |
| 13 | 605113075Z0.12 | 1 | Cable grommet | | | |
| 14 | 605113075Z0.13 | 1 | Rear bearing 6309-2RS C3 | | | |
| 15 | 605113075Z0.14 | 1 | Exciter armature H-55 6P | | | |
| 16 | 605113075Z0.15 | 1 | Rotor assy 3L, MD35 | | | |
| 17 | 605113075Z0.16 | 1 | Clamp | | | |
| 18 | 605113075Z0.17 | 1 | Plastic fan | | | |
| 19 | 605113075Z0.18 | 1 | Cover stay bolt 32 L | | | |
| 20 | 605113075Z0.19 | 1 | Ring spacer vol. 8 - 10 | | | |
| 21 | 605113075Z0.20 | 1 | Drive end bracket MD35/3 | | | |
| 22 | 605113075Z0.21 | 1 | Kit coupling disc plates SAE 11,5 | | | |
| 23 | 605113075Z0.22 | 1 | Protection screen MD35 | | | |
| 24 | 605113075Z0.23 | 1 | Disc blocking ring-spacer | | | |
| 50 | 60511386P | 1 | PD500 Parallel Device | | | |
| 51 | 60511387P | 1 | PD-I Parallel Device | | | |
| NS | 605113075Z0.24 | 1 | Diode for exciter armature | ☒ | | |
| NS | 605113075Z0.25 | 1 | Kit terminal box (2+20+75b+98+178) | ☒ | | |
| NS | 605113075Z0.26 | 1 | Kit USB2DxR | ☒ | | |











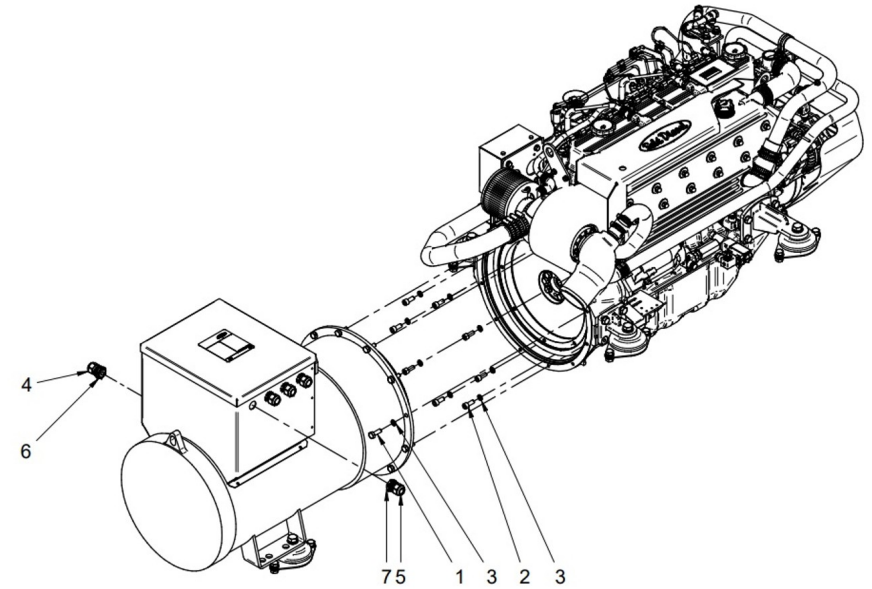
D 6057A106 Alternator Kit Without Cabin

| <i>Fig.</i> | <i>Ref.</i> | <i>Qty.</i> | <i>Descr.</i> | <i>Obs</i> | <i>From</i> | <i>UpTo</i> |
|-------------|-------------|-------------|--|------------|-------------|-------------|
| 1 | 51030012 | 24 | Washer DIN 125-12 | | | |
| 2 | 51030016 | 6 | Washer DIN 125-16 | | | |
| 3 | 52102309 | 12 | Bolt DIN 933 M10-30 8.8 | | | |
| 4 | 52102358 | 12 | Bolt DIN 933 M12-25 8.8 | | | |
| 5 | 52102461 | 6 | Bolt DIN 933 M16-40 8.8 | | | |
| 6 | 52103308 | 8 | Bolt DIN 912 M10-25 8.8 | | | |
| 7 | 52120012 | 12 | Nut DIN 934 M12 8.8 | | | |
| 8 | 53033010 | 20 | Washer GROWER DIN 127-10 | | | |
| 9 | 53033012 | 12 | Washer Grower DIN 127-12 | | | |
| 10 | 53033016C | 6 | Washer | | | |
| 11 | 60900306 | 6 | Connector Press CAPTOR-2000 M25 RAL7001 | | | |
| 12 | 60900309 | 6 | Screw Connector Press Captor-2000 M25 | | | |
| 13 | 61674001 | 6 | Engine Mount Type F 40 SHA M16 H 41 | | | |
| 13 | 61674007 | 6 | Engine Mount Type F BRB 110 A40 SHA M16 H 41 | | | |



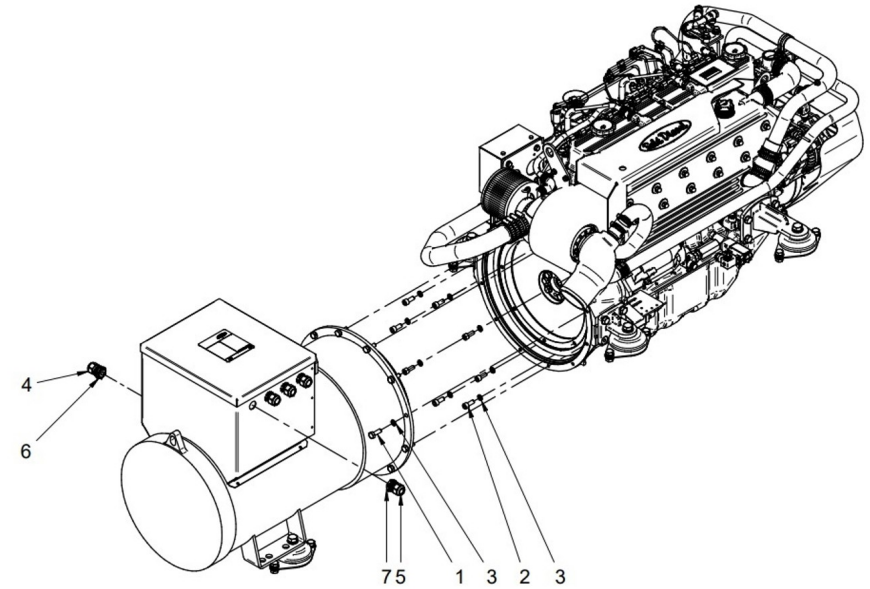
D 6057A062 Alternator Kit With Cabin (400/230V & 480/277V)

| Fig. | Ref. | Qty. | Descr. | Obs | From | UpTo |
|------|-----------|------|---|---|------|------|
| 1 | 52102309 | 12 | Bolt DIN 933 M10-30 8.8 | | | |
| 2 | 52103308 | 8 | Bolt DIN 912 M10-25 8.8 | | | |
| 3 | 53033010 | 20 | Washer GROWER DIN 127-10 | | | |
| 4 | 60900304 | 1 | Coneector Press PA Grey IP68 M16 | | | |
| 5 | 60900306 | 6 | Connector Press CAPTOR-2000 M25 RAL7001 | | | |
| 6 | 60900307 | 1 | Screw Connector Press PA Grey IP68 M16 | | | |
| 7 | 60900309 | 6 | Screw Connector Press Captor-2000 M25 | | | |
| NS | 60900510 | 1 | Emergency Stop PUSH BOTTOM |  | | |
| NS | 60900511 | 1 | Stop PUSH BOTTOM Body |  | | |
| NS | 60974072A | 1 | Inst. Alt. To N Blue Breaker Sec. 16 - 800mm |  | | |
| NS | 60974072G | 1 | Inst. Alt. To "W" Gray Breaker Sec. 16 - 800mm |  | | |
| NS | 60974072M | 1 | Inst. Alt. To "V" Brown Breaker Sec. 16 - 800mm |  | | |
| NS | 60974072N | 1 | Inst. Alt. To "U" Black Breaker Sec. 16 - 800mm |  | | |
| NS | 60974076 | 1 | Kit Fan Installation |  | | |
| NS | 60994087 | 1 | FOUR PoleS 100A Disconnecter |  | | |



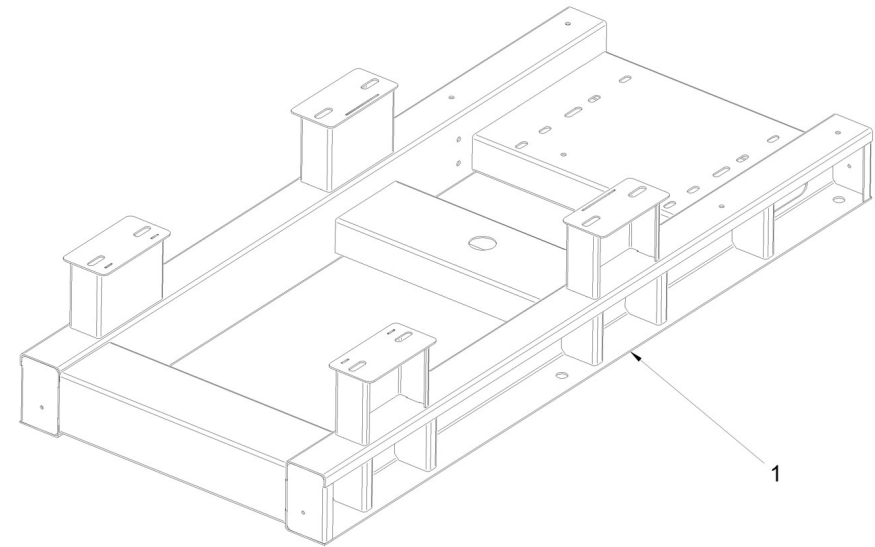
D 6057A064 Alternator Kit With Cabin (230V & 240V)

| Fig. | Ref. | Qty. | Descr. | Obs | From | UpTo |
|------|-----------|------|---|-----|------|------|
| 1 | 52102309 | 12 | Bolt DIN 933 M10-30 8.8 | | | |
| 2 | 52103308 | 8 | Bolt DIN 912 M10-25 8.8 | | | |
| 3 | 53033010 | 20 | Washer GROWER DIN 127-10 | | | |
| 4 | 60900304 | 1 | Coneector Press PA Grey IP68 M16 | | | |
| 5 | 60900306 | 6 | Connector Press CAPTOR-2000 M25 RAL7001 | | | |
| 6 | 60900307 | 1 | Screw Connector Press PA Grey IP68 M16 | | | |
| 7 | 60900309 | 6 | Screw Connector Press Captor-2000 M25 | | | |
| NS | 60900510 | 1 | Emergency Stop PUSH BOTTOM | | | |
| NS | 60900511 | 1 | Stop PUSH BOTTOM Body | | | |
| NS | 60974073A | 1 | N Breaker BLUE SEC. 35 900mm TO SYStem ALT. | | | |
| NS | 60974073G | 1 | W Breaker GRAY SEC. 35 TO SYStem ALT. | | | |
| NS | 60974073M | 1 | V Breaker BROWN SEC.35 TO SYStem ALT. | | | |
| NS | 60974073N | 1 | U Breaker BLACK SEC. 35 TO MAGNETO | | | |
| NS | 60974076 | 1 | Kit Fan Installation | | | |
| NS | 60994086 | 1 | FOUR PoleS 160 Disconnecter | | | |



D 6057A020 SM-81 Engine Bed

| <i>Fig.</i> | <i>Ref.</i> | <i>Qty.</i> | <i>Descr.</i> | <i>Obs</i> | <i>From</i> | <i>UpTo</i> |
|-------------|-------------|-------------|------------------|------------|-------------|-------------|
| 1 | 6057A020 | 1 | SM-81 Engine Bed | | | |

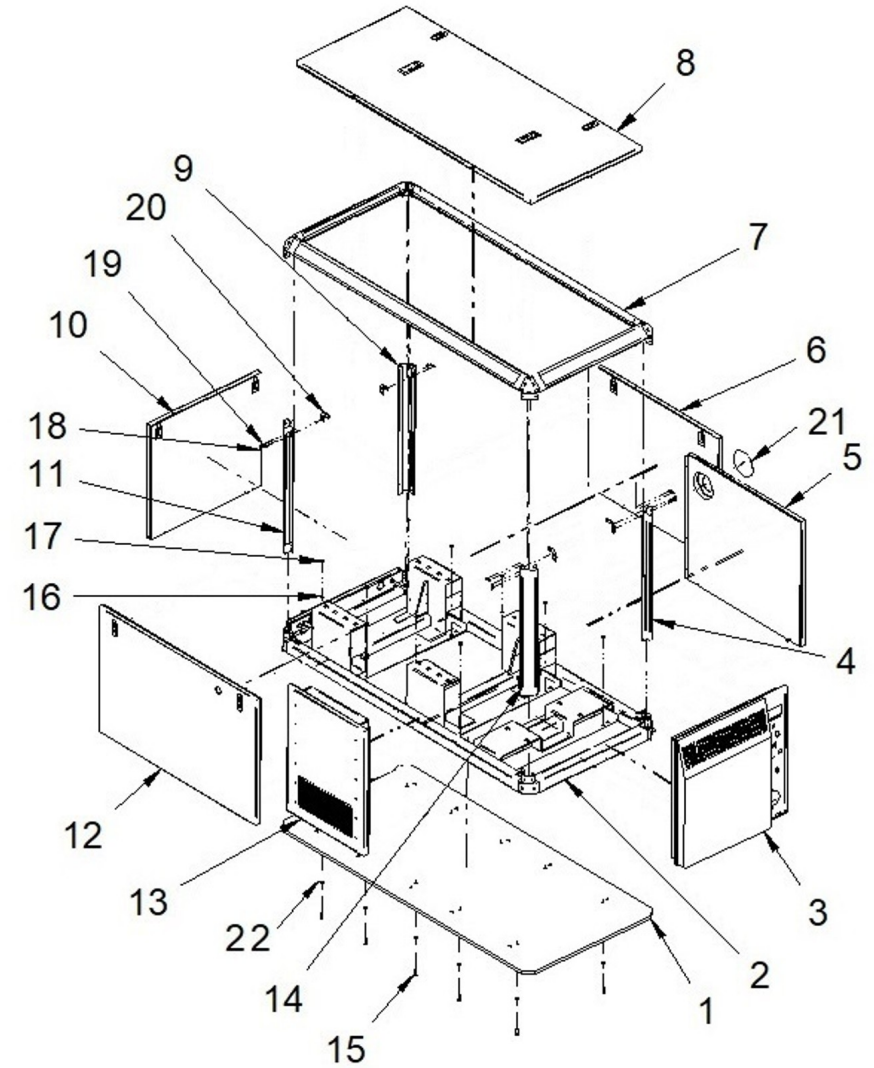


Genset 68 GT/GTC & 84 GTA/GTAC TAC

Canopy Spare Parts

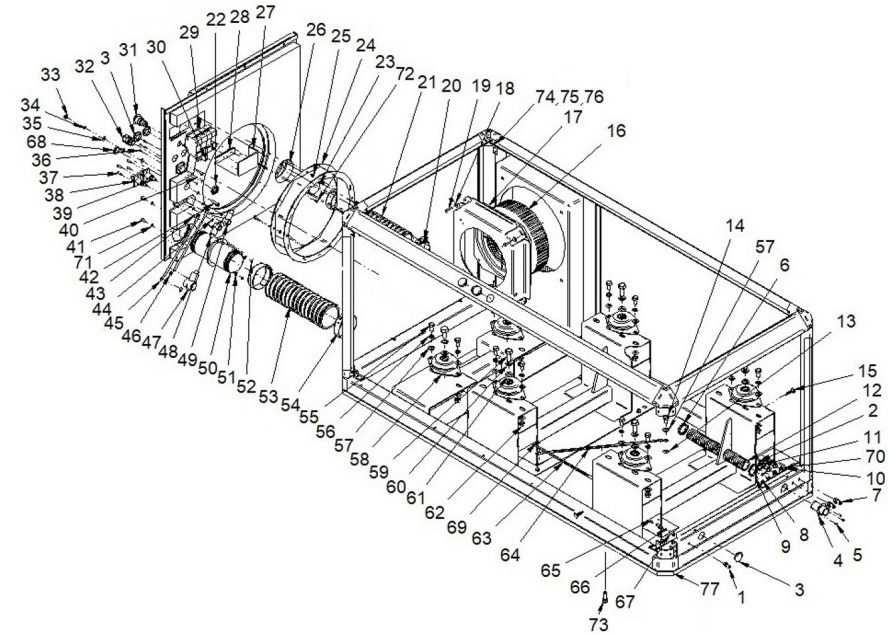
D SM81GTST 09 1 Canopy

| Fig. | Ref. | Qty. | Descr. | Obs | From | UpTo |
|------|--------------|------|----------------------------------|-----|------|------|
| 1 | 60575047.10 | 1 | Baseboard | | | |
| 2 | 60575047.61 | 1 | Bottom Frame | | | |
| 3 | 6057A041.25 | 1 | Back Panel | | | |
| 4 | 60575041.31 | 1 | VERTICAL BAR | | | |
| 5 | 6057A041.21A | 1 | Left Fixed Acoustic Wall Panel . | | | |
| 6 | 6057A041.21B | 1 | Left Side Panel | | | |
| 7 | 60575041.30 | 1 | Upper FRAME | | | |
| 8 | 60575041.20 | 1 | Upper Panel | | | |
| 9 | 60575041.32 | 1 | VERTICAL BAR | | | |
| 10 | 60575041.24 | 1 | FrontAL Panel | | | |
| 11 | 60575041.03 | 1 | VERTICAL BAR | | | |
| 12 | 60575041.22B | 1 | RIGHT Side Panel MOBILE | | | |
| 13 | 6057A041.22A | 1 | Out Side Air Fixed Panel | | | |
| 14 | 60575041.04 | 1 | VERTICAL BAR | | | |
| 15 | 52103258 | 10 | Bolt DIN 912 M8-25 8.8 | | | |
| 16 | 53033008 | 9 | Washer GROWER DIN 127-8 | | | |
| 17 | 52120008 | 10 | Nut DIN 934 M8 8.8 | | | |
| 18 | 53105104 | 8 | Bolt DIN 7991 M5-10 12.9 | | | |
| 18 | 53105105 | 8 | Bolt DIN 965 M5-10 7n | | | |
| 19 | 51058054 | 22 | Aluminium Rivet 4.0 X 10 | | | |
| 20 | 60573041.43 | 4 | L Fastening Bracket | | | |
| 21 | 60594042.62 | 1 | Dry Exhaust Cover | | | |
| 22 | 51030008 | 19 | Washer DIN 125-8 | | | |



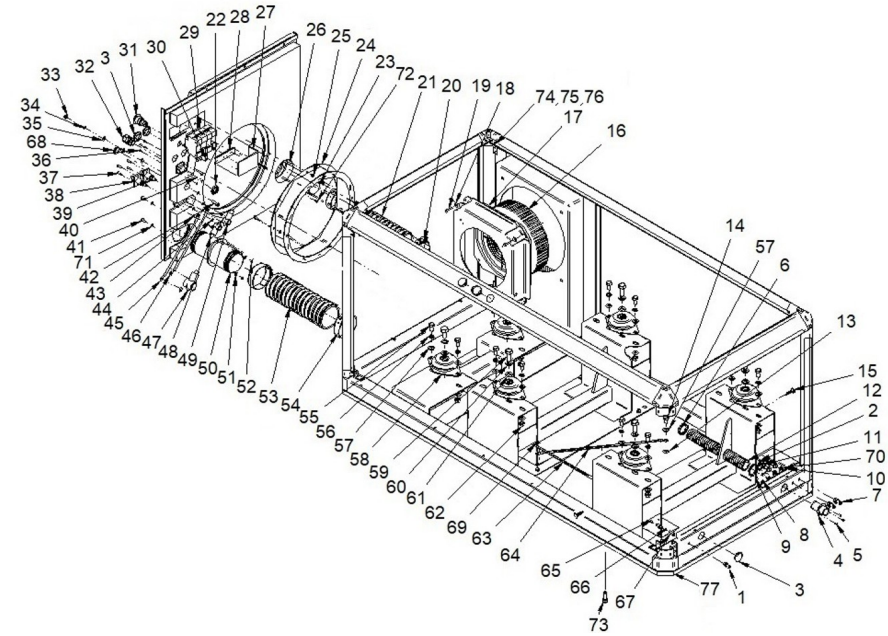
D SM81GTDN 09 2 Cabin Kit

| Fig. | Ref. | Qty. | Descr. | Obs | From | UpTo |
|------|--------------|------|--|-----|------------|------------|
| 1 | 13814072 | 2 | Straight Hose Connector 1/8" NPTF | | | |
| 2 | M81511019 | 2.0 | Fuel Hose D. 10-18 | | | |
| 3 | 60900508 | 5 | Shutter 31 | | | |
| 4 | 60571015 | 1 | Sea Water Wall PASS | | | |
| 5 | 54118054 | 3 | Bolt DIN 7985 M4-10 INOX | | | |
| 6 | 54082025 | 4 | Clamp DIN 3017 25-40/12 W4 | | | |
| 7 | 60594041.39 | 4 | Gasoil Wall Bushing D12 MALE | | | |
| 8 | 51058054 | 22 | Aluminium Rivet 4.0 X 10 | | | |
| 9 | 52120004 | 3 | Nut DIN 934 M4 8.8 | | | |
| 10 | 60594041.40 | 2 | ROD Coupling 3/8 BSP | | | |
| 11 | 51086018 | 4 | ONE EAR Clamp With INTERIOR Ring 16-18,3 | | | |
| 12 | M88503242 | 0.0 | DNV Water Intake Hose D. 32-42 | | | |
| 13 | 53038012 | 1 | Washer DIN 6798-A 12 | | | |
| 14 | 52102357 | 1 | Bolt DIN 933 M12-20 8.8 | | | |
| 15 | 58018160 | 4 | Screw | | | |
| 16 | 6057A050 | 1 | Centrifugal Fan PSB 230V | | | |
| 17 | 6057A041.23B | 1 | Air Outlet Aluminium Sheet Box | | | |
| 18 | 51031006 | 17 | Washer DIN 9021 6 | | | |
| 19 | 52102159 | 4 | Bolt DIN 933 M6-30 8.8 | | | |
| 20 | 54083063 | 2 | GP Clamp 63-68 W4 STC | | | |
| 21 | M88506072 | 1.0 | Exhaust Hose D. 60 | | | 04/03/2024 |
| 21 | M88576300 | 1.0 | Air Aspiration Hose D. 63 | | 04/03/2024 | |
| 22 | 60900309 | 1 | Screw Connector Press Captor-2000 M25 | | | |
| 23 | 60574043.47 | 1 | Air Connection D.60 | | | |
| 24 | 51123006 | 4 | Nut DIN 985 M6 5.6 | | | |
| 25 | 60575041.25G | 1 | Spacer Ring | | | |
| 26 | 52102157 | 12 | Bolt DIN 933 M6-20 8.8 | | | |
| 27 | 60574043.42 | 1 | Switch Disconnecter Bracket | | | |
| 28 | 6097A166 | 1 | Amperometric transformer Bracket | | | |
| 29 | 60994087 | 1 | FOUR PoleS 100A Disconnecter | | | |
| 30 | 60900511 | 1 | Stop PUSH BOTTOM Body | | | |



D SM81GTDN 09 2 Cabin Kit

| Fig. | Ref. | Qty. | Descr. | Obs | From | UpTo |
|------|------------|------|---|-----|------|------|
| 31 | 60900510 | 1 | Emergency Stop PUSH BOTTOM | | | |
| 32 | 60900306 | 1 | Connector Press CAPTOR-2000 M25 RAL7001 | | | |
| 33 | 54120008 | 2 | Nut DIN 934 M8 | | | |
| 34 | 53038008 | 5 | Washer DIN 6798-A 8 | | | |
| 35 | 54030008 | 3 | Washer DIN 125-8 INOX. | | | |
| 36 | 54118004 | 4 | Bolt DIN 7985 M3-10 INOX | | | |
| 37 | 54118106 | 4 | Bolt DIN 7985 M5-16 INOX | | | |
| 38 | 60573047 | 1 | Battery Plug IN | | | |
| 39 | 60573048 | 1 | Battery Plug IN | | | |
| 40 | 52120003 | 4 | Nut DIN 934 M3 8.8 | | | |
| 41 | 54118156 | 2 | Bolt DIN 7985 M6-16 INOX | | | |
| 42 | 54103258 | 1 | Bolt DIN 912 M8-25 INOX. | | | |
| 43 | 51030005 | 4 | Washer DIN 125-5 | | | |
| 44 | 52120005 | 4 | Nut DIN 934 M5 8.8 | | | |
| 45 | 60975002 | 1 | NEGATIVE BLACK Battery Wiring | | | |
| 46 | 60971038 | 1 | Positive Battery RED Wiring Sec. 25 mm - 1.52 m | | | |
| 47 | 60994045 | 1 | Ter. Protective 32 Red | | | |
| 48 | 60972091 | 1 | TER. PROTECTIVE 20 BLACK | | | |
| 49 | 60972090 | 1 | TER. PROTECTIVE 20 RED | | | |
| 50 | 60594028 | 1 | Exhaust Wall PASS D90 | | | |
| 51 | 53033006 | 2 | Washer GROWER DIN 127-6 | | | |
| 52 | 54120006 | 2 | Nut DIN 934 M6 INOX | | | |
| 53 | M885090102 | 1.0 | Exhaust Hose D. 90 | | | |
| 54 | 54086097 | 4 | GP Clamp 97-104 W4 STC | | | |
| 55 | 52102358 | 12 | Bolt DIN 933 M12-25 8.8 | | | |
| 56 | 53033012 | 12 | Washer Grower DIN 127-12 | | | |
| 57 | 51030012 | 25 | Washer DIN 125-12 | | | |
| 58 | 61674001 | 6 | Engine Mount Type F 40 SHA M16 H 41 | | | |
| 58 | 61674007 | 6 | Engine Mount Type F BRB 110 A40 SHA M16 H 41 | | | |
| 59 | 52102461 | 6 | Bolt DIN 933 M16-40 8.8 | | | |
| 60 | 53033016C | 6 | Washer | | | |

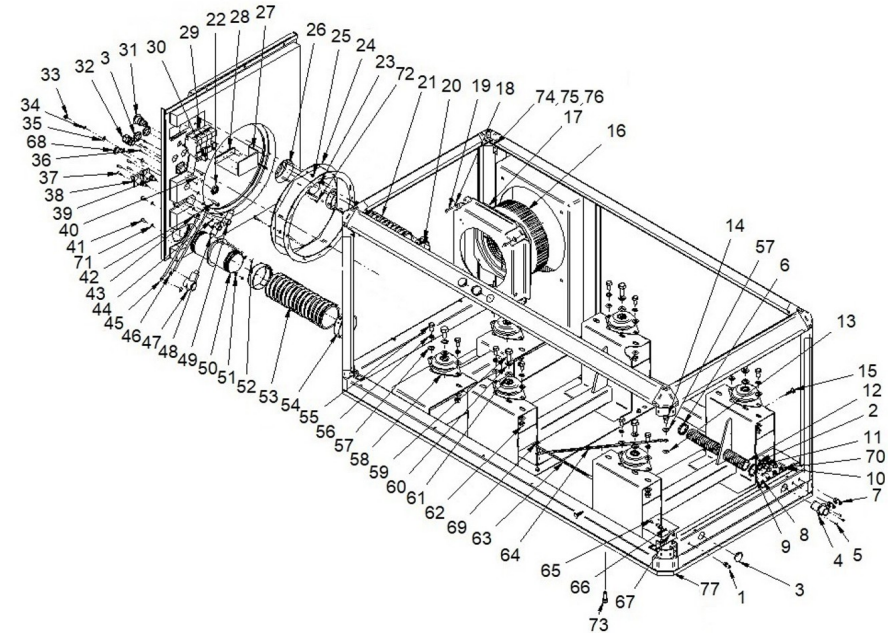


Genset 68 GT/GTC & 84 GTA/GTAC TAC

Canopy Spare Parts

D SM81GTDN 09 2 Cabin Kit









| Fig. | Ref. | Qty. | Descr. | Obs | From | UpTo |
|------|--------------|------|---------------------------------------|-----|------|------|
| 61 | 51030016 | 6 | Washer DIN 125-16 | | | |
| 62 | 52120012 | 12 | Nut DIN 934 M12 8.8 | | | |
| 63 | 60975074 | 1 | Panel Back 0,66 M. Wiring GROUND ALT. | | | |
| 64 | 60975073 | 1 | CHASSIS 0,5 M. TO MOTOR Wiring GROUND | | | |
| 65 | M80501006 | 1.0 | Hose D.10-6 | | | |
| 66 | 57000361 | 1 | Washer 10-14-1,5 | | | |
| 67 | 60573041.39 | 1 | ROD Coupling 1/8 BSP | | | |
| 68 | 60900502 | 1 | Shutter 27 | | | |
| 69 | 51030008 | 21 | Washer DIN 125-8 | | | |
| 70 | 57000375 | 2 | Washer 17-22-1,5 | | | |
| 71 | 54030006 | 2 | Washer DIN 125-6 INOX. | | | |
| 72 | 53033005 | 7 | Washer GROWER DIN 127-5 | | | |
| 73 | 52103258 | 10 | Bolt DIN 912 M8-25 8.8 | | | |
| 74 | 60575047.10 | 1 | Baseboard | | | |
| 75 | 60573041.43 | 4 | L Fastening Bracket | | | |
| 76 | 53105104 | 8 | Bolt DIN 7991 M5-10 12.9 | | | |
| 76 | 53105105 | 8 | Bolt DIN 965 M5-10 7n | | | |
| NS | 17810011 | 1 | PIPE JOIN | | | |
| NS | 17A14007 | 1 | Fuel Hose DNV | | | |
| NS | 19411024.1 | 1 | Rubber Plug(D. 22) | | | |
| NS | 19414011 | 2 | Fuel Hose | | | |
| NS | 19414030 | 3 | STRAIGHT COUPLING 3/8 | | | |
| NS | 19414031 | 3 | BOLT 3/8 | | | |
| NS | 52102256 | 1 | Bolt DIN 933 M8-16 8.8 | | | |
| NS | 53038010 | 1 | Washer DIN 6798-A 10 | | | |
| NS | 54083079 | 2 | GP Clamp 68-73 W4 STC | | | |
| NS | 58088281 | 1 | Pastic Cable Zip Tie | | | |
| NS | 58088282 | 3 | Pastic Cable Zip Tie | | | |
| NS | 58088283 | 2 | Pastic Cable Zip Tie | | | |
| NS | 58088284 | 15 | Pastic Cable Zip Tie | | | |
| NS | 60573041.25G | 1 | Connector Adapter Parallel | | | |

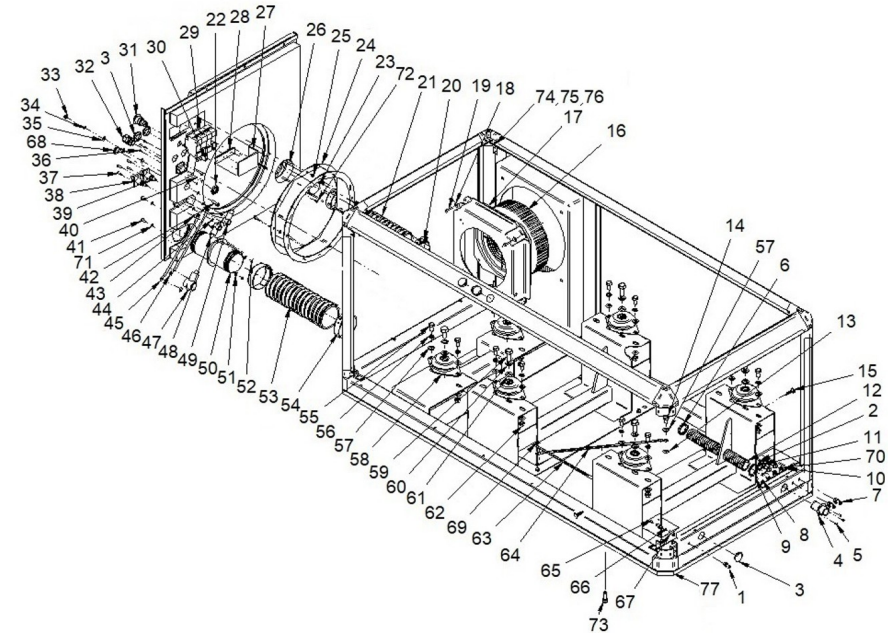


Genset 68 GT/GTC & 84 GTA/GTAC TAC

Canopy Spare Parts

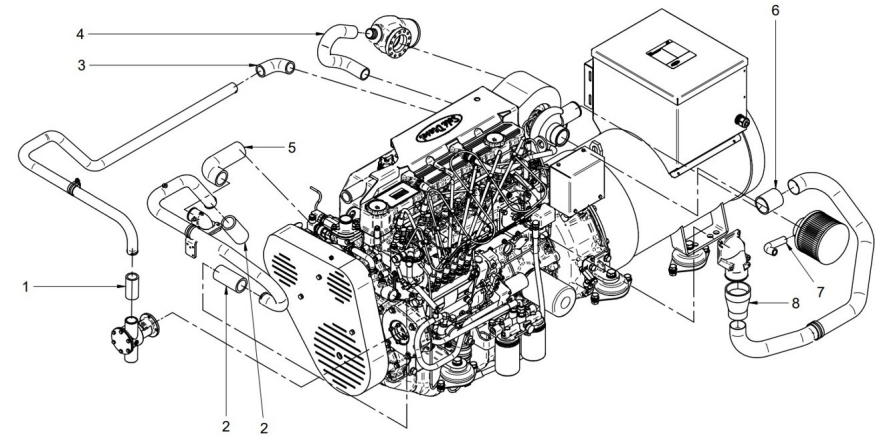
D SM81GTDN 09 2 Cabin Kit

| Fig. | Ref. | Qty. | Descr. | Obs | From | UpTo |
|------|---------------|------|-------------------------|---|------|------|
| NS | CA.1.0.AM | 0.0 | CABLE SEC.1.0 YELLOW |  | | |
| NS | CA.1.5.AZ | 0.0 | CABLE SEC.1.5 BLUE |  | | |
| NS | CA.1.5.M | 0.0 | CABLE SEC.1.5 BROWN |  | | |
| NS | CAP.FLEXI0048 | 1 | Rubber Cap D. 4.8 X 13 |  | | |
| NS | CAP.FLEXI0077 | 1 | Rubber Cap D. 7.7 X 13 |  | | |
| NS | CAP.FLEXI0111 | 2 | Rubber Cap D. 11,1x19,1 |  | | |
| NS | M81101013 | 0.0 | Tube D. 10 |  | | |
| NS | M8850102114 | 1.0 | Exhaust Hose D. 102 |  | | |



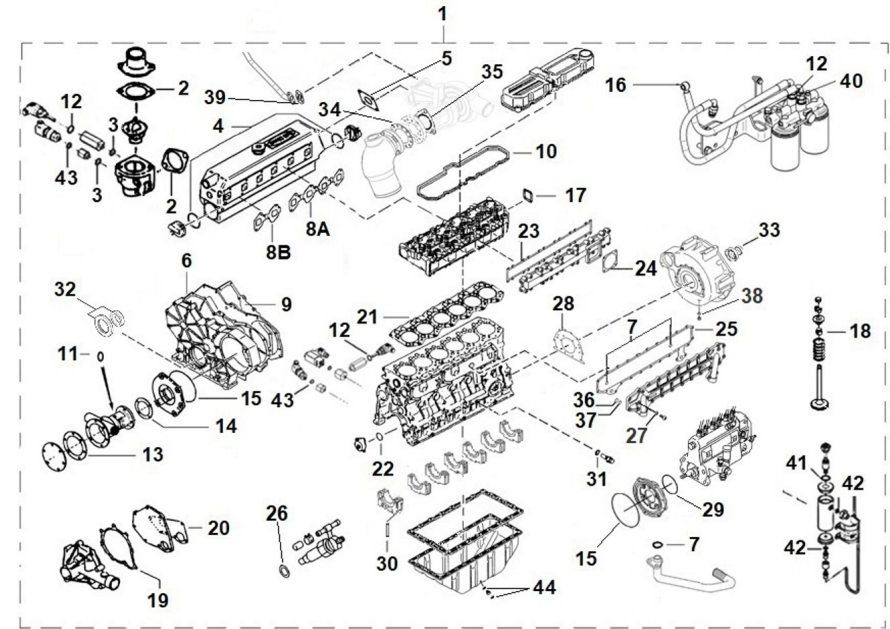
D 17A1100DNV Pipe Rubber Set,Water Line SM-81 (TAC)

| <i>Fig.</i> | <i>Ref.</i> | <i>Qty.</i> | <i>Descr.</i> | <i>Obs</i> | <i>From</i> | <i>UpTo</i> |
|-------------|-------------|-------------|---------------------------------|------------|-------------|-------------|
| 1 | 13611038 | 1 | Pipe 30-40-75 | | | |
| 2 | 15211053 | 2 | Pipe 38-50-100 | | | |
| 3 | 17411013 | 1 | Thermostat Water Outlet Elbow | | | |
| 4 | 17A10034 | 1 | Silicone Hose Straight D50 L65 | | | |
| 5 | 17411035 | 1 | Elbow Rubber | | | |
| 6 | 17A11034 | 1 | Elbow Hose | | | |
| 7 | 17A11018 | 1 | Elbow | | | |
| 8 | 17A10030 | 1 | Silicone Hose Straight Reducers | | | |



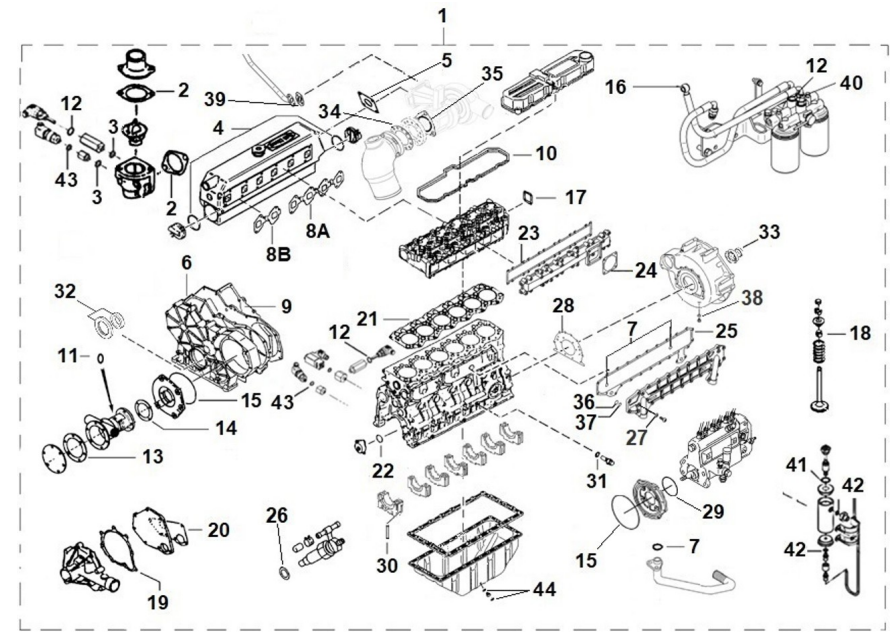
D 17A20101DNV Gasket Kit

| Fig. | Ref. | Qty. | Descr. | Obs | From | UpTo |
|------|-------------|------|-------------------------|-----|------|------|
| 1 | 17A20101DNV | 1 | Gasket Kit SM-81 TAC | | | |
| 2 | 17111021 | 2 | Gasket | | | |
| 3 | 56000073 | 3 | Copper Washer 16-23-1,5 | | | |
| 4 | 18011008 | 2 | O-Ring D. 72X3 | | | |
| 5 | 17A13002 | 1 | Exhaust Gasket | | | |
| 6 | 17420040 | 1 | Gasket,Gear | | | |
| 7 | 17424060 | 3 | O-Ring D. 22X2,4 | | | |
| 8A | 17421035 | 1 | Gasket,Exhaust Manifold | | | |
| 8B | 17521035 | 1 | Gasket | | | |
| 9 | 17420018 | 1 | Gasket,Front Plate | | | |
| 10 | 17521010 | 1 | Gasket,Rocker Cover | | | |
| 11 | 33311013 | 1 | O-Ring D. 15X2 | | | |
| 12 | 56000083 | 1 | Washer 21-26-1,5 | | | |
| 13 | 34711003 | 1 | Gasket Cover | | | |
| 14 | 13310013 | 1 | Gasket,water pump | | | |
| 15 | 17420047 | 1 | O-Ring D. 140X2 | | | |
| 16 | 57000369 | 4 | Washer 14,2-20-1,5 | | | |
| 17 | 17421011 | 1 | Gasket | | | |
| 18 | 17422054 | 12 | Seal,Valve Stem | | | |
| 19 | 17421022 | 1 | Gasket,Pump Cover | | | |
| 20 | 17421041 | 1 | Gasket,Side Cover | | | |
| 21 | 17521004 | 1 | Cylinder Head Gasket | | | |
| 22 | 17424055 | 1 | O-Ring D. 60X2 | | | |
| 23 | 17521032 | 1 | Gasket,IN.MANIFold | | | |
| 24 | 17421042 | 1 | Gasket | | | |
| 25 | 17524035 | 1 | Gasket,Oil Cooler | | | |
| 26 | 17024013 | 6 | Gasket Nozzle | | | |
| 27 | 17524007 | 6 | Gasket | | | |
| 28 | 17420025 | 1 | Gasket,Rear | | | |
| 29 | 17520075 | 1 | O-Ring D. 75X25 | | | |
| 30 | 17420112 | 2 | Seal,Valve | | | |



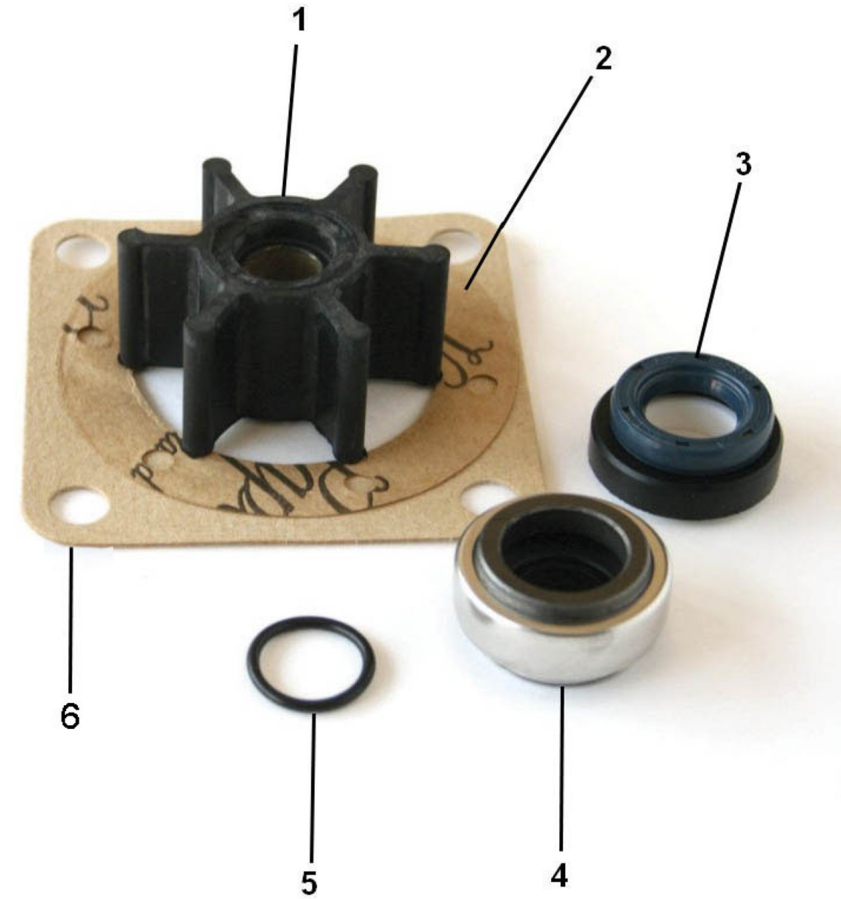
D 17A20101DNV Gasket Kit

| Fig. | Ref. | Qty. | Descr. | Obs | From | UpTo |
|------|----------------|------|----------------------|-----|------|------|
| 31 | 17424008 | 10 | Washer,SealING | | | |
| | 32A 17420039 | 1 | Oil Seal | | | |
| | 32B 17420039.1 | 1 | Seal Assy,Oil | | | |
| 33 | 13320063 | 1 | Seal Oil | | | |
| 34 | 16513016 | 1 | Exhaust Elbow Gasket | | | |
| 35 | 17A21014 | 1 | Turbo Gasket | | | |
| 36 | 17520017 | 2 | O-Ring D. 30X3,4 | | | |
| 37 | 17520072 | 2 | O-Ring D. 42X3,4 | | | |
| 38 | 56000077 | 1 | Washer 18-23-1,5 | | | |
| 39 | 17524091 | 1 | Gasket,Oil Pipe | | | |
| 40 | 57000378 | 2 | Washer 18-24-1,5 | | | |
| 41 | 56000086 | 1 | Washer 22,3-29-1,5 | | | |
| 42 | 56000061 | 2 | Washer 10-16-1,5 | | | |
| 43 | 56000067 | 2 | Washer 13-20-1,5 | | | |
| 44 | 56000069 | 2 | Washer 14-20-1,5 | | | |



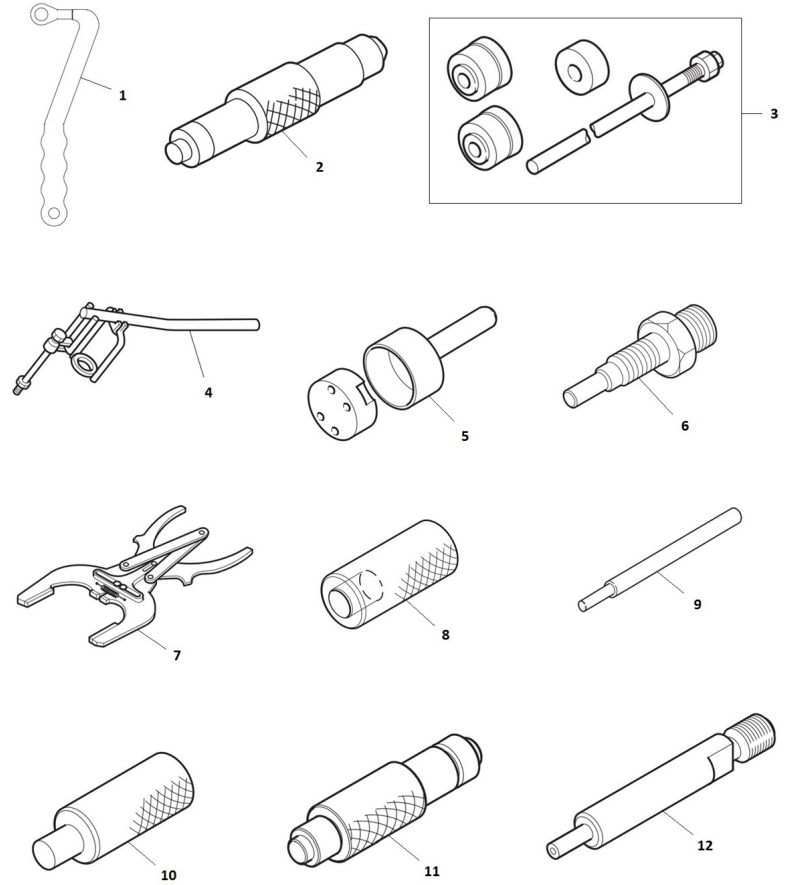
36511000K Repair Kit Water Pump 1"

| <i>Fig.</i> | <i>Ref.</i> | <i>Qty.</i> | <i>Descr.</i> | <i>Obs</i> | <i>From</i> | <i>UpTo</i> |
|-------------|-------------|-------------|-------------------|------------|-------------|-------------|
| 1 | 34711008 | 1 | 1" Impeller | | | |
| 2 | 34711003 | 1 | Gasket Cover | | | |
| 3 | 36511020 | 1 | Seal 16-30-7 | | | |
| 4 | 36511019 | 1 | Seal | | | |
| 5 | 33311013 | 1 | O-Ring D. 15X2 | | | |
| 6 | 13310013 | 1 | Gasket,water pump | | | |



D UTILFA0971 1 Special Tools

| Fig. | Ref. | Qty. | Descr. | Obs | From | UpTo |
|------|-------------|------|----------------------------------|-----|------|------|
| 1 | 13811063 | 1 | Refrigerator Mounting Key | | | |
| 2 | U3009107300 | 1 | Idler Bushing Installer | | | |
| 3 | U3069100010 | 1 | Camshaft Bushing Installer Set | | | |
| 4 | U3069104500 | 1 | Valve Spring Pusher | | | |
| 5 | U3069113010 | 1 | Oil seal sleeve installer set | | | |
| 6 | U3069121100 | 1 | Gauge Adapter | | | |
| 7 | UMM74007 | 1 | Piston Ring Pliers | | | |
| 8 | U32A9100100 | 1 | Valve Guide Installer | | | |
| 9 | U32A9100300 | 1 | Valve Guide Remover | | | |
| 10 | U32A9100400 | 1 | Oil Pump Bushing Installer | | | |
| 11 | U32A9100500 | 1 | Connecting rod bushing puller | | | |
| 12 | U32A9101100 | 1 | Gauge adapter (direct injection) | | | |



D UTILFA0971 2 Special Tools

| <i>Fig.</i> | <i>Ref.</i> | <i>Qty.</i> | <i>Descr.</i> | <i>Obs</i> | <i>From</i> | <i>UpTo</i> |
|-------------|-------------|-------------|----------------------------------|------------|-------------|-------------|
| 14 | 19440400.2 | 1 | Compression Manometer 10-60 Bar | | | |
| 15 | U3449100200 | 1 | Piston Installer | | | |
| 16 | U3449103020 | 1 | Valve Sheet Insert Caulking Tool | | | |
| 17 | U3679100200 | 1 | Valve Sheet Insert Caulking Tool | | | |
| 18 | UMH061077 | 1 | Idler Shaft Puller | | | |

