



Part list

Genset 68 GT/GTC & 84 GTA/GTAC



PARTS LIST CATALOGUE

NORMS TO PLACE AN ORDER

For fast and more efficient service, please specify the following information on spare parts orders that must be preferably done by e-mail as specified below:

- 1- Engine model: As shown in identification plate
- 2- Engine serial number: As shown in identification plate and stamped on crankcase
- 3- Item description + part number + quantity required

Spare parts requests must be addressed to :

orders@soleadvance.com

Tel.: +34 93 775 44 05

The components shown in the catalog have:

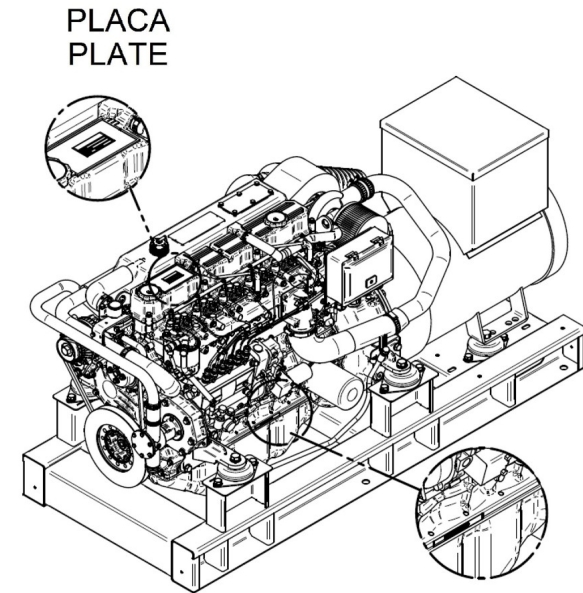
- Figure: Number by which they are represented in scheme
 - Description: Trade name of the component
 - Quantity: Total number of parts used in the assembly of the part represented (may differ from the total minimum quantities)
- Hoses, indicates the total length in meters
-

The diagrams shown in this catalog of spare parts, have only the purpose to identify the piece in question, its representation is not meaningful and may differ from the actual piece.

In case of doubt, contact Solé Advance, or your authorized dealer.

The parts i / or references in this catalog are subject to change without notice.

SOLÉ, S.A.
C-243b, km, 2
08760 Martorell (Barcelona) Spain



PLACA
PLATE

NUMERO DE SERIE
SERIAL NUMBER

Index

Engine Body

Cylinder Head
Rocker Cover & Breather
Valve Drive
Timing Parts
Gear Case
Crankcase
Flywheel Housing
Piston & Connecting Rod
Crankshaft & Flywheel
Oil System
Oil Pan
Engine Brackets

Inlet & Exhaust

Inlet
Turbocharger
Spare Parts, Turbocharger

Cooling System

Water Pump
Cooler Pipes
Water Cooler Assy SM-81
Body, Water Cooler and Cap
Cross Brace Pump 1" SM-82/94 Gen.SM-81
Wet Exhaust

Fuel System

Fuel Pipe
Injection Nozzle
Injection Pump
Governor Parts
Governor
Feed Pump
Fuel Filter

Electrical System

Electrical System 12V
Electrical System 24V
Parallel Electrical System 12V
Parallel Electrical System 24V
Panels for Genset
Spare Parts List for Generator Panel
Electrical Box for Parallel
Genset Extension
Parallel Genset Extension

Alternator Spare Parts

Alternators 68 GT/GTC AND 84 GTA/GTAC
Spare Part List Alternator Type C
Spare Part List Alternator Type B Upto 29/12/2021

Alternator Genset Kit

Alternator Kit Without Canopy
Alternator Kit With Cabin (400/230V & 480/277V)
Alternator Kit With Cabin (230V & 240V)

Chassis Spare Parts

SM-81 Engine Bed

Genset Spare Parts

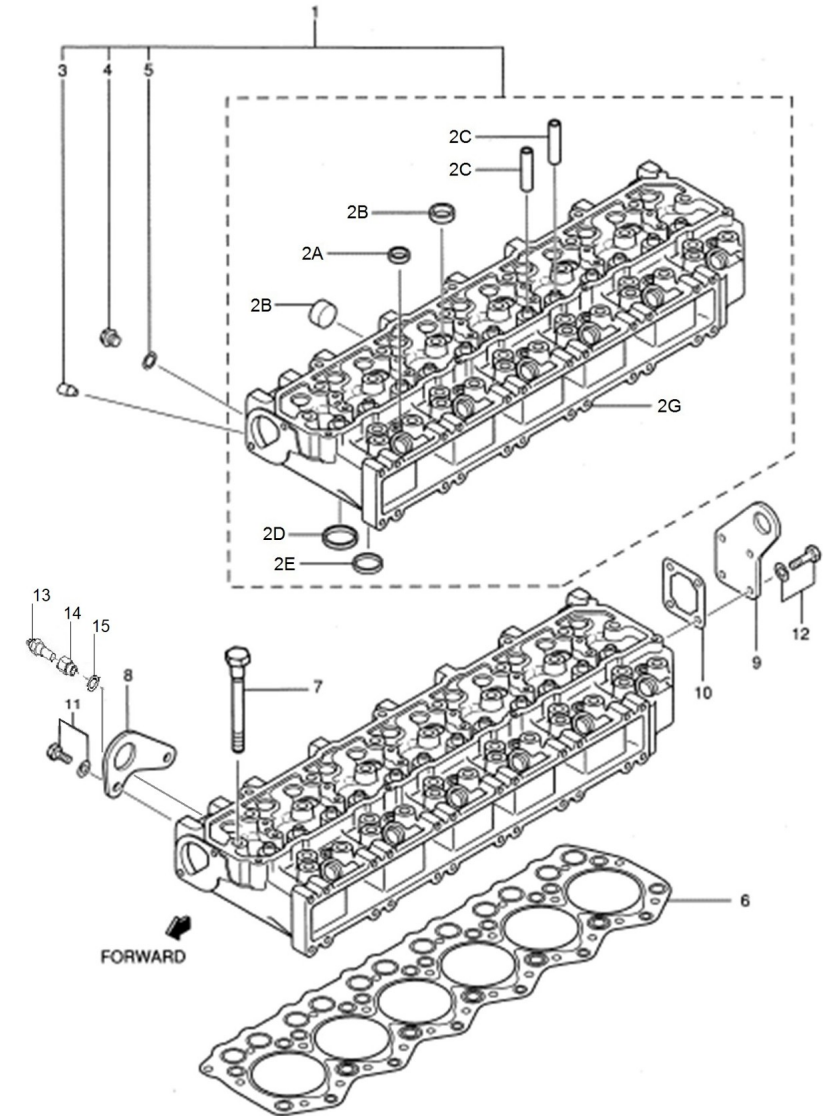
Canopy
Canopy Kit

Maintenance Kit

Gasket Kit
Pipe Rubber Set, Water Line SM-81
Special Tools
Special Tools

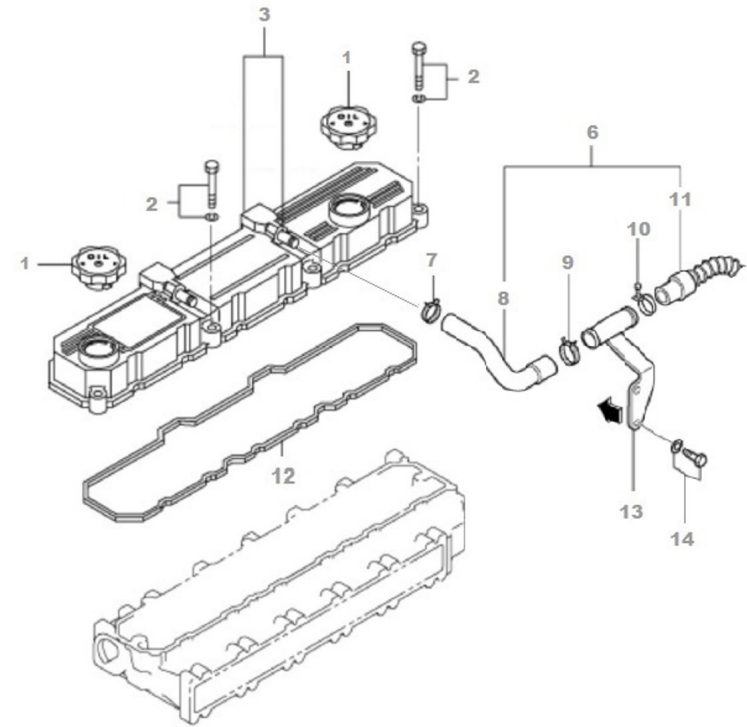
D GP01 1 1 **Cylinder Head**

Fig.	Ref.	Qty.	Descr.	Obs	From	UpTo
1	17A21001	1	Cylinder Head			
2A	17220006	18	Cap, Sealing			
2B	13220012	11	Cap Sealing			
2C	17421002	12	Guide,Valve			
2D	17421061	6	Seat,Valve,IN			
2E	17421062	6	Seat,Valve,Exhaust			
4	17121016	1	Plug, drain			
5	17121013	1	Gasket			
6	17521004	1	Cylinder Head Gasket			
7	17421005	25	Bolt,cylinder head			
8	17420014	1	Eye,Lifting,Front			
9	17421018	1	Eye,Lifting;Head Rea			
10	17421011	1	Gasket			
11	17821012	2	Bolt,W/Washer			
12	17421012G.1	4	Bolt W/Washer (Generator)			
13	60900972	1	High Coolant, 2 Poles 96°			
14	60900999.1	1	Connection M14X1,5 5/8" EXA.19 L=25			
15	56000073	1	Copper Washer 16-23-1,5			



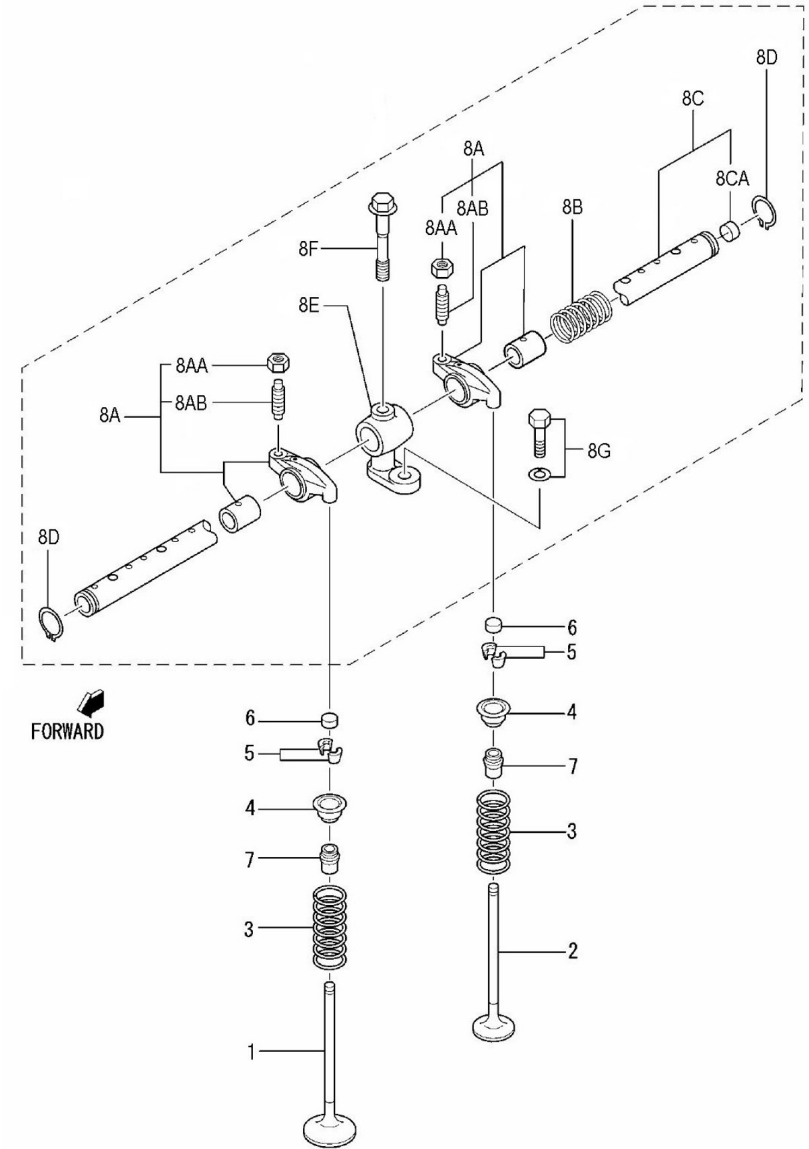
D GP01 1 2 **Rocker Cover & Breather**

Fig.	Ref.	Qty.	Descr.	Obs	From	UpTo
1	17221003G	2	Cap Oil Filler			
2	17421014G.1	7	Bolt W/Washer (Generator)			
3	17A21009	1	Cover,rocker			
6	17A21007	1	Set Hose, Breather			
7	17521007	1	Clip,Hose			
8	17A21008	1	Hose, Breather			
9	17A21011	1	Clamp			
10	17A21012	1	Clamp			
11	17A21010	1	Hose, Breather			
12	17521010	1	Gasket,Rocker Cover			
13	17A21013	1	Support Hose, Breather			
14	17821012	8	Bolt,W/Washer			



D GP01 1 3 **Valve Drive**

Fig.	Ref.	Qty.	Descr.	Obs	From	UpTo
1	17422055.1	6	Valve,Inlet			
2	17422056	6	Exhaust Valve			
3	13322028	12	Spring, valve outler			
4	17422058	12	Retainer,Upper			
5	17122059.1	24	Cotter,Valve			
6	13322024	12	Cap			
7	17422054	12	Seal,Valve Stem			
8A	17422142.1	12	Rocker Assy			
8AA	17122060	12	Nut			
8AB	17122044	12	Screw Adjusting			
8B	17422047G.1	5	Spring,Rocker			
8C	17522146	1	Shaft,Assy,Rocker			
8CA	13322023	2	Cap, Sealing			
8D	17222050	2	Ring, SNAP			
8E	17422048	6	Bracket,Rocker Shaft			
8F	17422053	6	Bolt,Rocker Bracket			
8GA	52102258	6	Bolt DIN 933 M8-25 8.8			
8GB	53033008	6	Washer GROWER DIN 127-8			

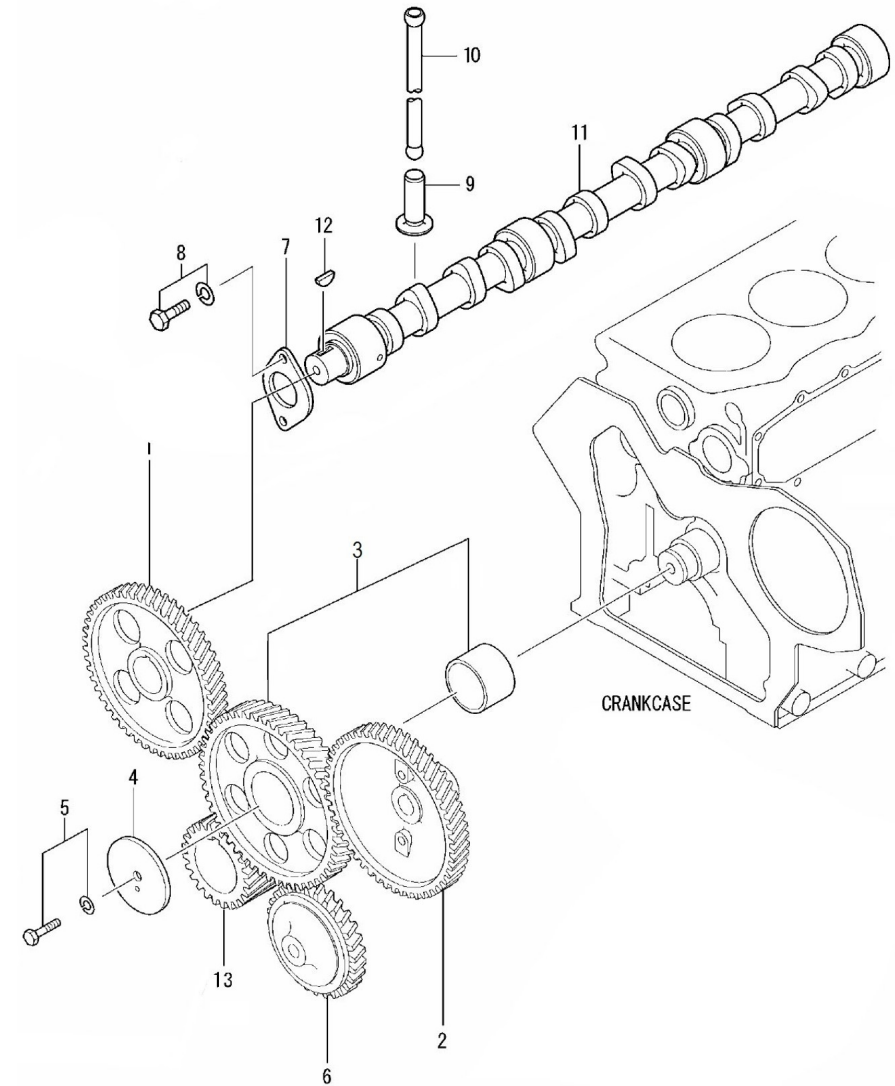


Genset 68 GT/GTC & 84 GTA/GTAC

Engine Body

D GP01 1 4 Timing Parts

Fig.	Ref.	Qty.	Descr.	Obs	From	UpTo
1	17422037	1	Gear,CamShaft Z=46			
2	17A22040	1	Gear, inj.pump			
3	17A22038	1	Gear, Assy idler			
4	17122032	1	Plate, thrust			
5	17720010	1	Bolt,W/Washer			
6	17422066	1	Gear,Oil Pump Z=31			
7	17522075	1	Plate,Thrust			
8	17422037G.1	2	Bolt W/Washer (Generator)			
9	17122061	12	Tappet			
10	17122041	12	Rod, push			
11	17A22035	1	Camshaft			
12	13322034	1	Key Woodruff			
13	17822019	1	Gear, CrankShaft			

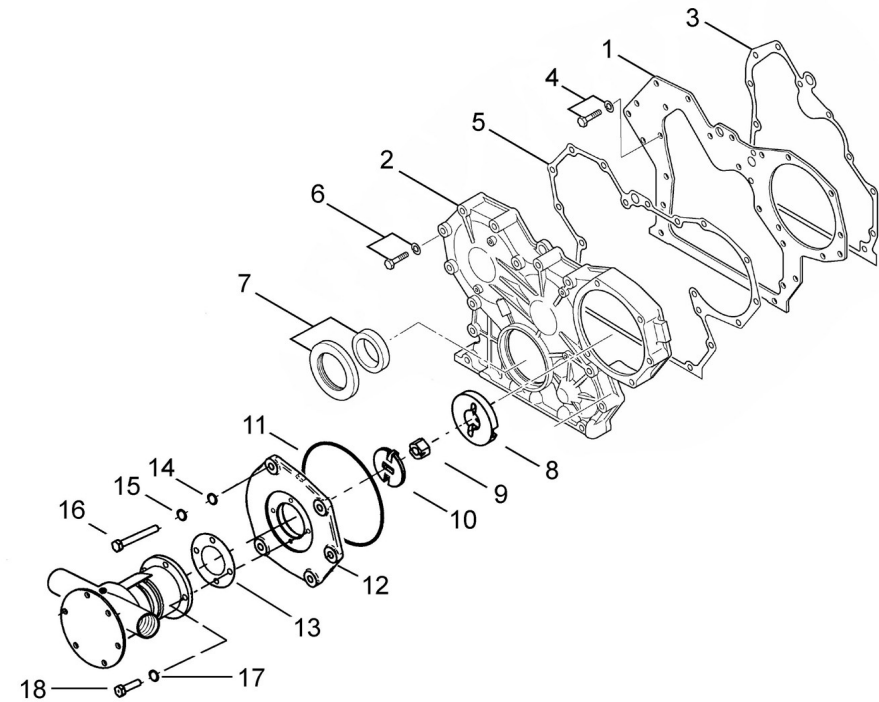


Genset 68 GT/GTC & 84 GTA/GTAC

Engine Body

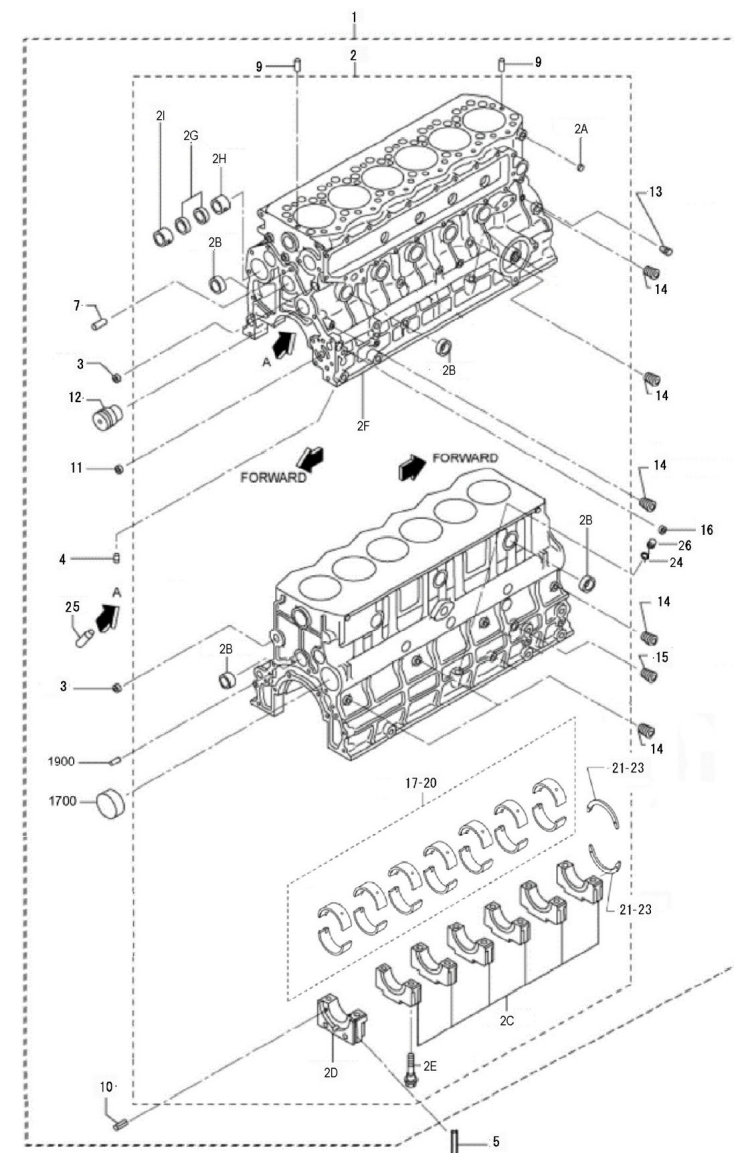
D GP01 1 5 Gear Case

Fig.	Ref.	Qty.	Descr.	Obs	From	UpTo
1	17A20024	1	Plate, Front			
2	17420035G	1	Case,TIMING Gear			
3	17420018	1	Gasket,Front Plate			
4	17422037G.1	5	Bolt W/Washer (Generator)			
5	17420040	1	Gasket,Gear			
6	17520047	13	Bolt,W/Washer			
7	17420039.1	1	Seal Assy,Oil			
8	17A11026	1	Coupling Drive			
9	17422071	1	Nut,INJ.Pump			
10	15310072	1	CrossHead Jaw Coupling			
11	17420047	1	O-Ring D. 140X2			
12	17410010	1	Block Water Pump			
13	13310013	1	Gasket,water pump			
14	51030008	5	Washer DIN 125-8			
15	53033008	5	Washer GROWER DIN 127-8			
16	52101266	5	Bolt DIN 931 M8-65 8.8			
17	51030006	4	Washer DIN 125-6			
18	52103156	4	Bolt DIN 912 M6-16 8.8			



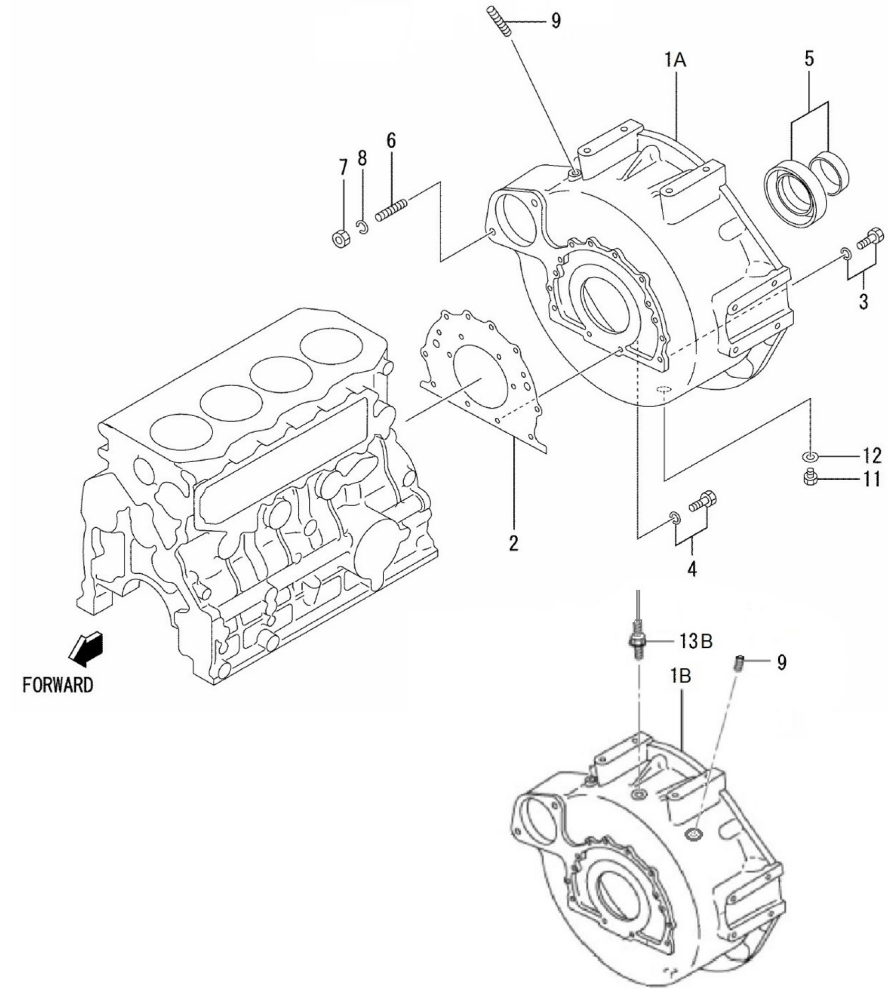
D GP01 1 6 **Crankcase**

Fig.	Ref.	Qty.	Descr.	Obs	From	UpTo
1	17A20001	1	Block Assy,CYL			
2	17A20002	1	Block SUB Assy CY			
2B	13320006	14	Cap, Sealing			
2E	17420009	14	Bolt Bearing Cap			
2G	13320002	2	Bushing,camShaft n°2			
2H	17120015	1	BUSING,camShaft r			
2I	17520015	1	Bushing,CamShaft,F			
3	13320007	7	Cap, Sealing			
4	(*)	12	Not available			
5	17420112	2	Seal,Valve			
6	17420013	1	Plug,Cam			
7	17420036	2	Pin,Dowel			
8	13320025	2	Pin			
9	17120019	2	Pin, dowel			
10	17420012	6	Pin,Spring			
11	17420011G.3	1	Bushing			
12	17420034	1	Shaft,IDLER			
13	17120022	1	Plug, tapered			
14	17820011	5	Plug, Tapered			
15	17620024.4	1	Plug TAPER			
16	17420027G.1	2	Plug,TAPPERED (Generator)			
17	17520003	1	Bearing Set,MAIN STD			
18	17520004	1	Bearing Set,MAIN -0,25			
19	17520005	1	Bearing Set,MAIN -0,50			
20	17520006	1	Bearing Set,MAIN -0,75			
21	17420109	3	Plate,THRUST.C/S STD			
22	17420110	3	Plate,THRUST.C/S +0,15			
23	17420111	3	Plate,THRUST.C/S +0,30			
24	17120058	1	O-Ring D. 13X2,5			
25	17A20003	6	Valve, Check STD			
26	17120059	1	Plug			



D GP01 1 7 Flywheel Housing

Fig.	Ref.	Qty.	Descr.	Obs	From	UpTo
1A	17420002G.3	1	Flyweel Housing			
Figure A for Standard System						
1B	17A20007G.3	1	Flyweel Housing Pickup			
Figure b for Parallel System						
2	17420025	1	Gasket,Rear			
3	17327129.2	10	Bolt			
4	17420028G.1	2	Bolt,W/Washer (Generator)			
5	13320063	1	Seal Oil			
6	13320067	2	Stud			
7	17827003	2	Nut			
8	MHF251510000	2	WASHER, SPRING			
9	52211454	2	Stud ALLEN DIN913 M16x1,5-16			
11	13224045	1	Plug			
12	56000077	1	Washer 18-23-1,5			
13B	60972519	1	Magnetic Speed Sensor			
Figure b for Parallel System						

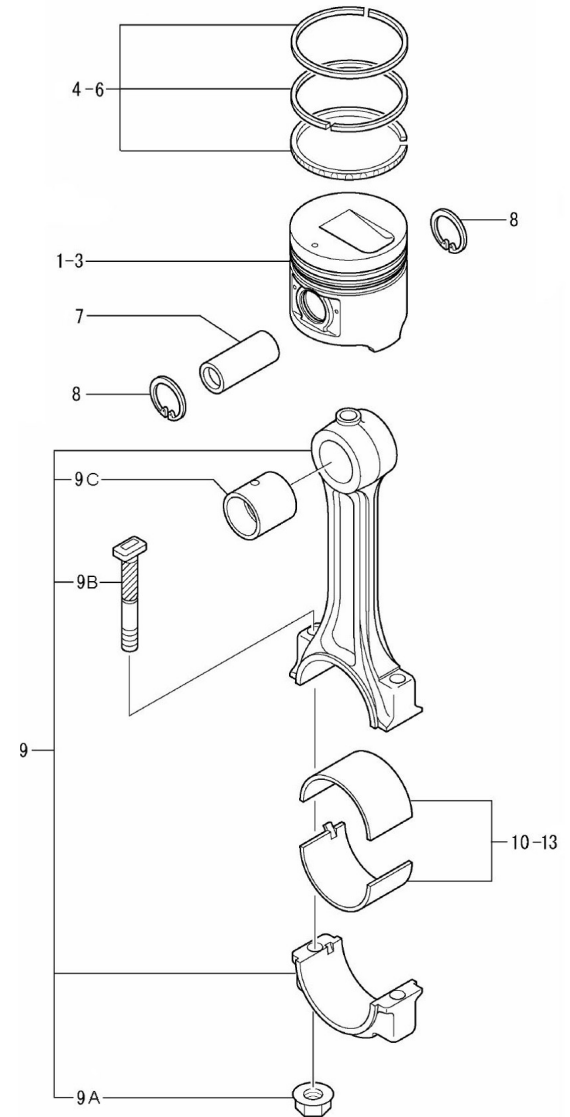


Genset 68 GT/GTC & 84 GTA/GTAC

Engine Body

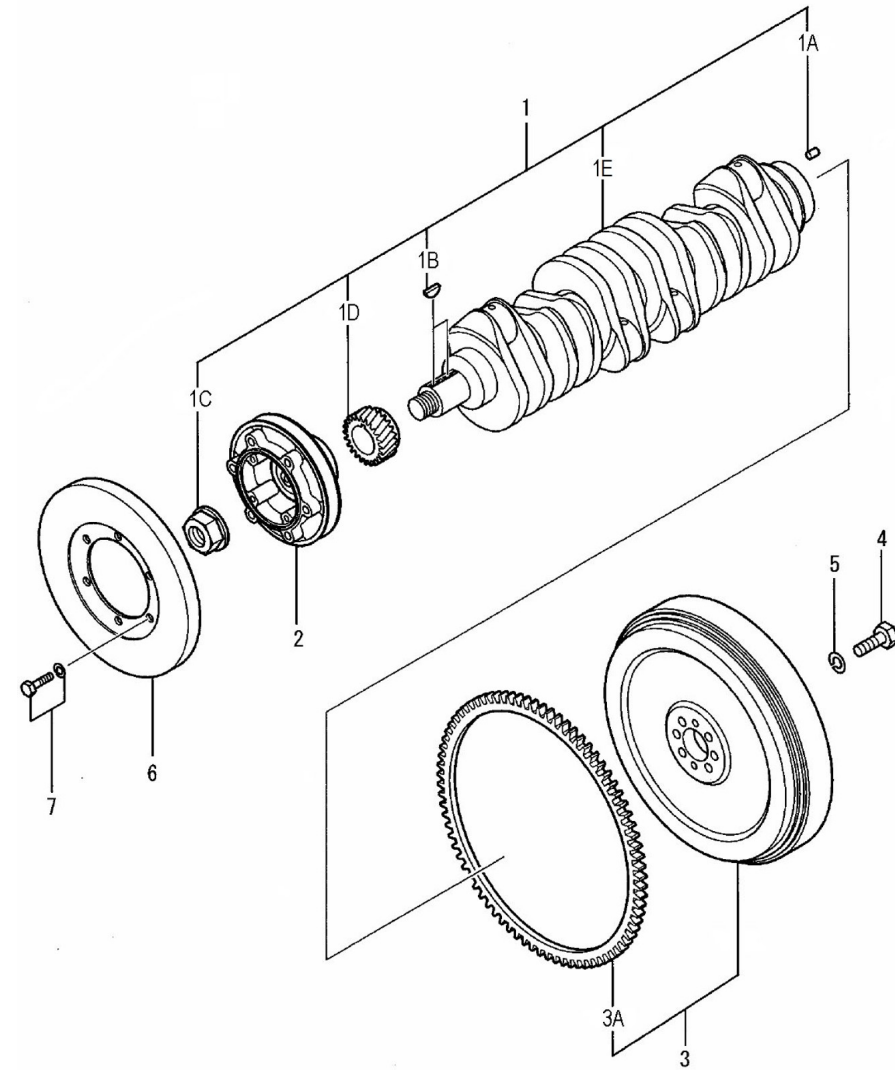
D GP01 1 8 Piston & Connecting Rod

Fig.	Ref.	Qty.	Descr.	Obs	From	UpTo
1	17A22001	6	Piston STD			
2	17A22002	6	Piston +0,25			
3	17A22003	6	Piston +0,50			
4	17422006	6	Ring Set,Piston STD.			
5	17422007	6	Ring,Piston O.S 0,25			
6	17422008	6	Ring,Piston O.S 0,50			
7	17422009	6	Pin,Piston			
8	17422010	12	Ring,Snap			
9	17822012	6	Rod Assy. Connecting			
9A	17822011	12	Nut			
9B	17122013	12	Bolt,connecting rod			
9C	17422033	6	Bushing,Con-Rod			
10	17522014	1	METAL Set,CONROD STD			
11	17522015	1	METAL Set,CONROD -0,25			
12	17522016	1	METAL Set,CONROD -0,50			
13	17522017	1	METAL Set,CONROD -0,75			



D GP01 1 9 Crankshaft & Flywheel

Fig.	Ref.	Qty.	Descr.	Obs	From	UpTo
1	17A22012	1	CrankShaft Assy			
1A	13322059	2	Pin			
1B	13322034	2	Key Woodruff			
1C	17A22026	1	Nut Crankshaft			
1D	17822019	1	Gear, CrankShaft			
1E	17A22013	1	CrankShaft			
2	17422024G	1	Pulley,CrankShaft (Generator)			
3	17522027	1	Flywheel Assy			
3A	17422029	1	Gear, Ring Z=122			
4	13322065	6	Bolt			
5	MHF251512000	6	WASHER, SPRING			
6	17522076	1	Damper, TORSIONAL			
7	17522077	6	Bolt, W/Washer			

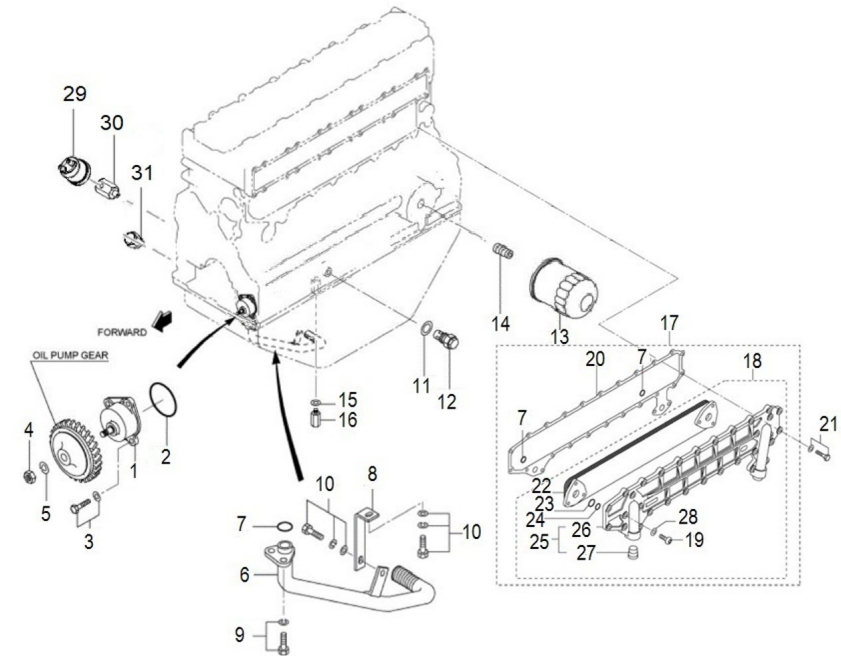


Genset 68 GT/GTC & 84 GTA/GTAC

Engine Body

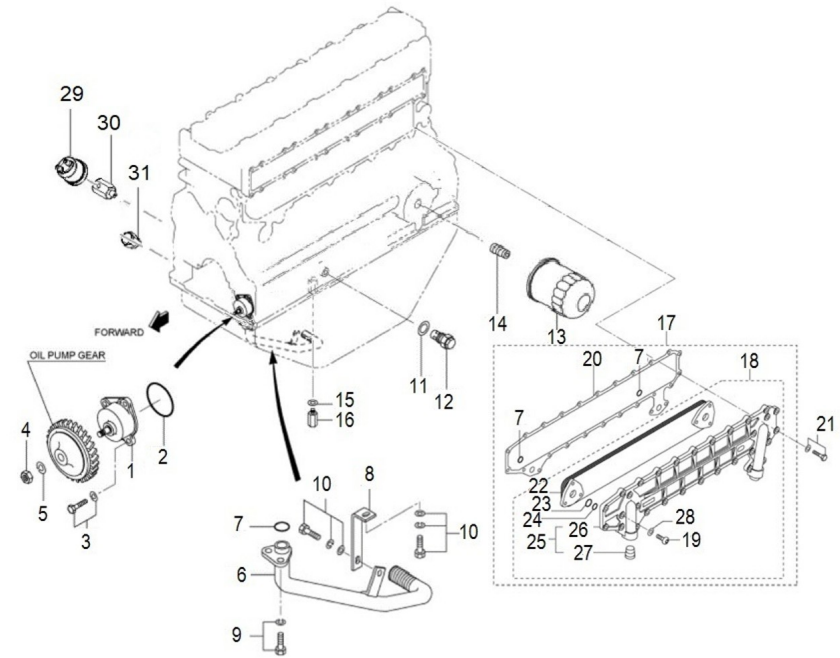
D GP01 1 10 Oil System

Fig.	Ref.	Qty.	Descr.	Obs	From	UpTo
1	17524040	1	Pump Assy,Oil			
2	17424055	1	O-Ring D. 60X2			
3	17421012G.1	4	Bolt W/Washer (Generator)			
4	13122045	1	Nut			
5	MHF251510000	1	WASHER, SPRING			
6	17524052	1	STrainer,Oil			
7	17424060	3	O-Ring D. 22X2,4			
8	17524053	1	STAY,Oil STrainer			
9	17422037G.1	2	Bolt W/Washer (Generator)			
10	52102256	2	Bolt DIN 933 M8-16 8.8			
11	17124071	1	Valve, Assy			06/02/2020
11	17124072	1	Valve, Assy		06/02/2020	
11	17424063	1	Gasket			
13	17524051	1	Oil Filter Element SM-75/90/105			
14	17424054	1	Union,Oil Filter			
15	17420017	1	Gasket			
16	17824071	1	Valve, Assy			
17	17A22109	1	Ensemble refroid. Huile			
18	17A22110	1	Ensemble refroid. Huile			
19	17A22118	6	Bolt			
20	17524035	1	Gasket,Oil Cooler			
21	17A22116	25	Bolt			
22	17A22114	1	Élément Refroid. Huile			
23	17520072	2	O-Ring D. 42X3,4			
24	17520017	2	O-Ring D. 30X3,4			
25	17A22111	1	Corp Refroidisseur Huile			
26	(*)	1	Not available			
27	17A22117	2	Plug			
28	17524007	6	Gasket			
29	60900987	1	Sender, Oil Press.			
30	17117052	1	Oil Pressure Sensor Adaptor			



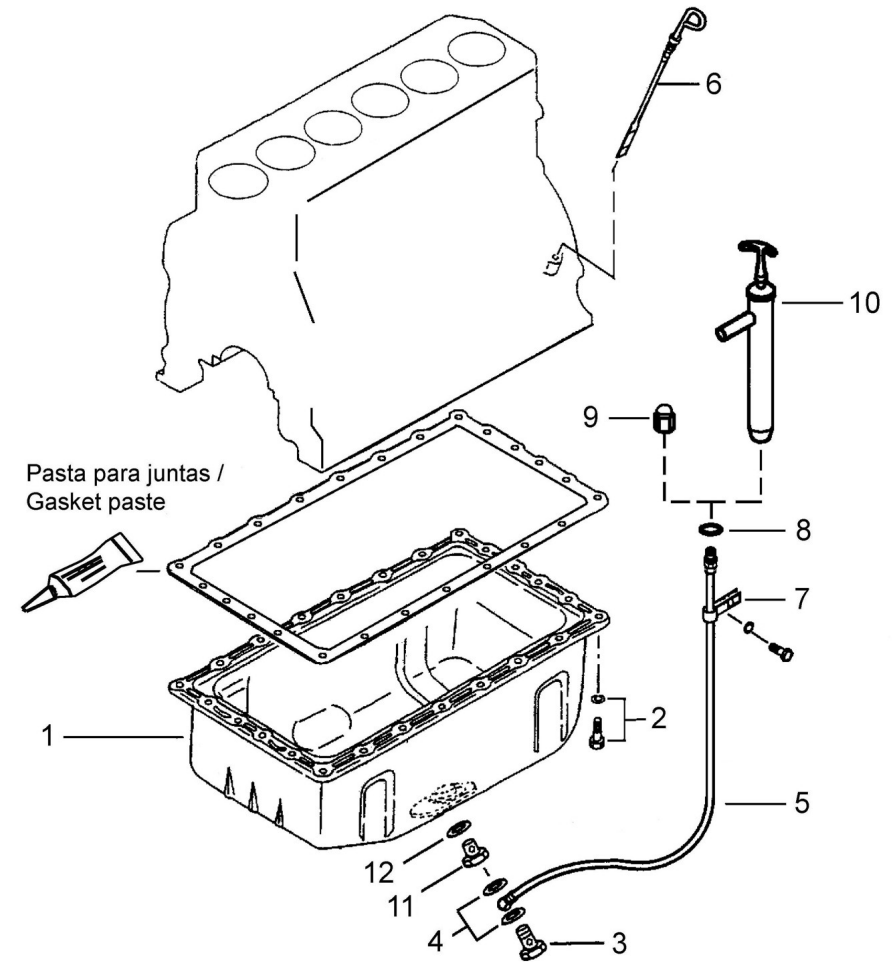
D GP01 1 10 Oil Sysem

Fig.	Ref.	Qty.	Descr.	Obs	From	UpTo
31	60900978	1	Switch, Oil Press 0.4 Bar M10x1			



D GP01 1 11 Oil Pan

Fig.	Ref.	Qty.	Descr.	Obs	From	UpTo
1	17520030	1	Pan Assy,Oil			
2	17821012	30	Bolt,W/Washer			
3	12814051	1	Screw,eye			
4	56000069	2	Washer 14-20-1,5			
5	18014021	1	Extraction Hose			
6	17520029	1	Gauge Oil Level			
7	17214022	1	Bracket, Pipe			
8	56000217	1	Washer 13-20-3			
9	16514020	1	Plug			
10	14714001	1	Oil Extraction Pump			
11	17514001	1	Plug			
12	56000083	1	Washer 21-26-1,5			

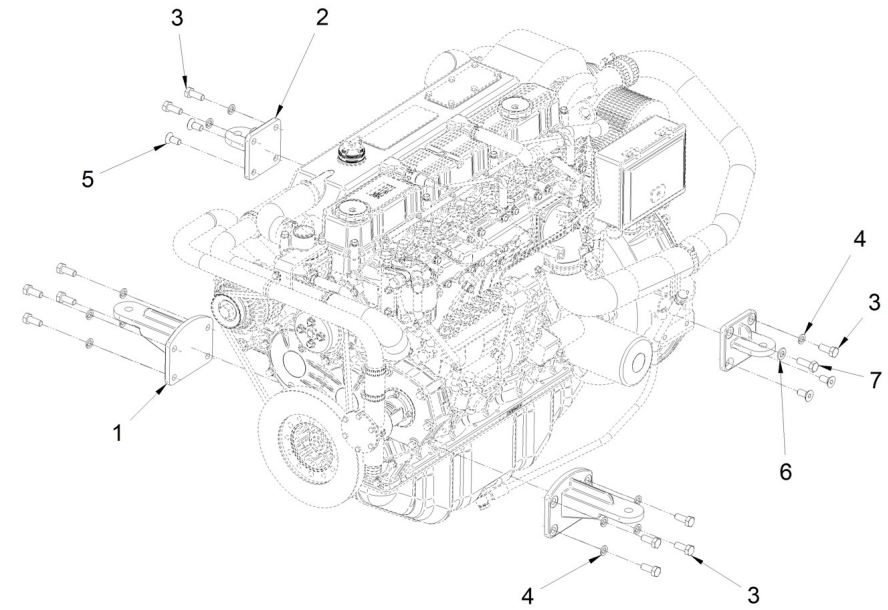


Genset 68 GT/GTC & 84 GTA/GTAC

Engine Body

D GP01 1 12 Engine Brackets

Fig.	Ref.	Qty.	Descr.	Obs	From	UpTo
1	17410001.2	2	Front Bracket			
2	17510003	2	REAR Bracket			22/05/2024
2	17510006	2	Rear Bracket		23/05/2024	
3	52102359	11	Bolt DIN 933 M12-30 8.8			
4	53033012	11	Washer Grower DIN 127-12			
5	53105359	4	Bolt DIN 7991 M12-30 12.9			
6	51030012	1	Washer DIN 125-12			
7	52102360	1	Bolt DIN 933 M12-35 8.8			

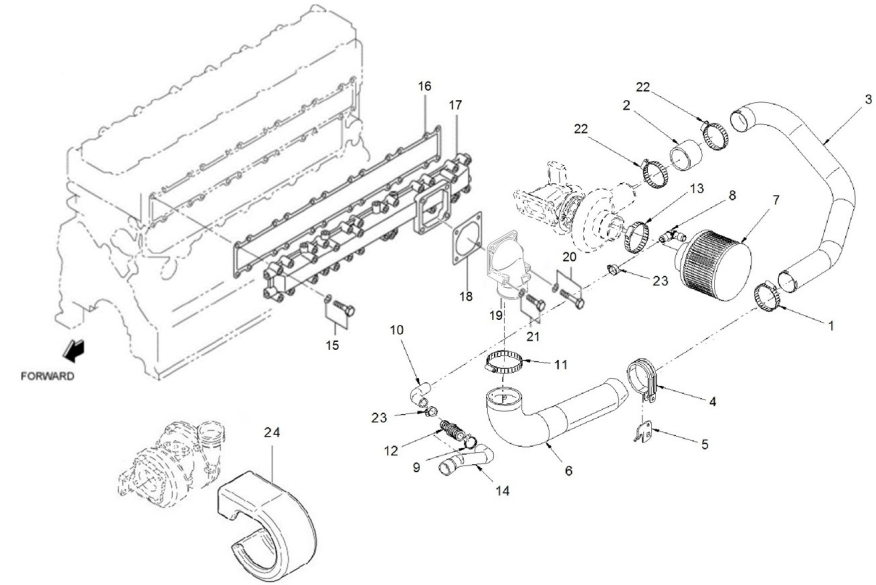


Genset 68 GT/GTC & 84 GTA/GTAC

Inlet & Exhaust

D GP01 2 1 Inlet

Fig.	Ref.	Qty.	Descr.	Obs	From	UpTo
1	54082050	4	Clamp DIN 3017 50-70/12 W4			
2	17A10034	1	Silicone Hose Straight D50 L65			
3	17A10018	1	Air Pipe D50			
4	59071604	1	Clamp RSGU 1 60/20 W1			
5	17A10033	1	Flat Bracket 3 holes			
6	17A24066	1	Elbow,Air Inlet			
7	17810012	1	Air Filter			
8	17810013	1	Elbow,Frared Tube			
9	54081016	1	Clamp DIN 3017 16-27/9 W4			
10	17A10008	1	Eng. Exit Breather Hose			
11	17A24067	1	Clamp			
12	17A10009	1	Pond Pipe Reducer D16-D25			
13	54082060	1	Clamp DIN 3017 60-80/12 W4			
14	17A21010	1	Hose, Breather			
15	17421014G.1	24	Bolt W/Washer (Generator)			
16	17521032	1	Gasket,IN.MANIFold			
17	17A24065	1	COUV.Collecteur			
18	17421042	1	Gasket			
19	17521029	1	Elbow,Air Inlet			
20	17420062G.1	2	Bolt,W/Washer (Generator)			
21	17421012G.1	2	Bolt W/Washer (Generator)			
22	54082040	2	Clamp DIN 3017 40-60/12 W4			
23	54081012	2	Clamp DIN 3017 12-22/9 W4			
24	17A18010	1	Turbo Blanket Cover Heat Shield			

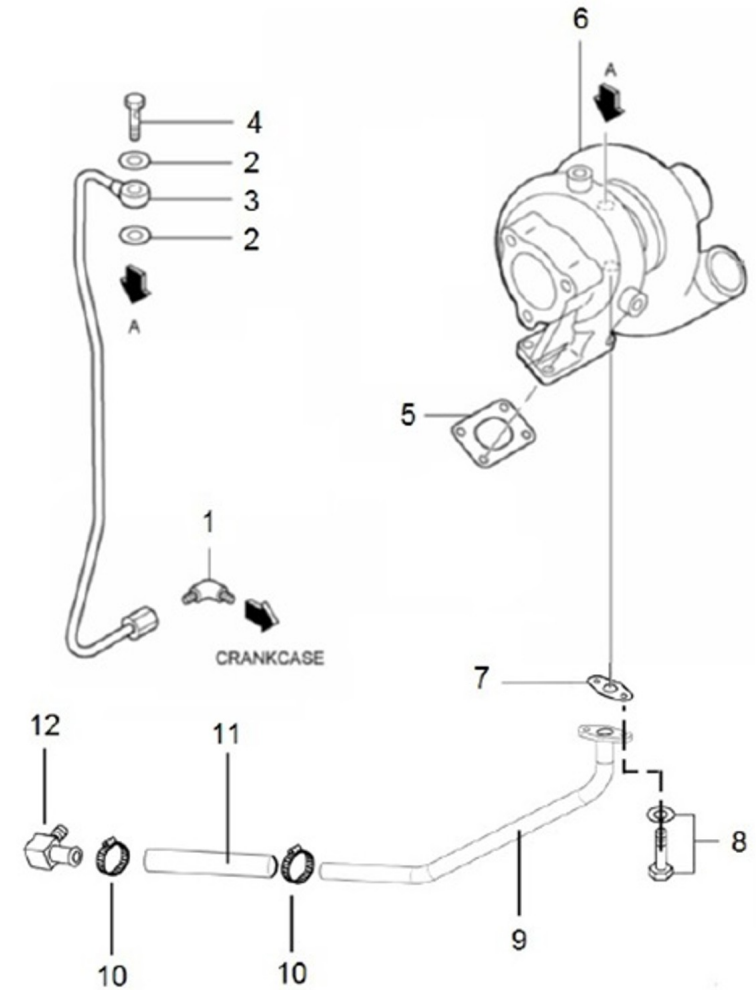


Genset 68 GT/GTC & 84 GTA/GTAC


Inlet & Exhaust

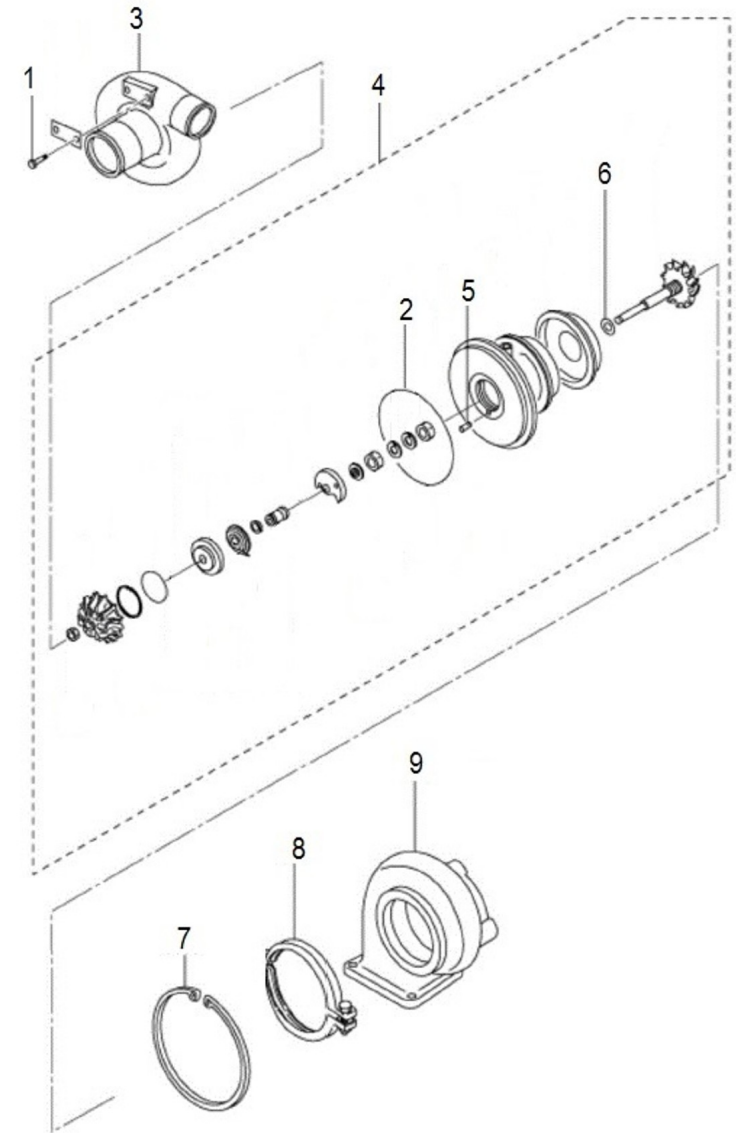
D GP01 2 2 Turbocharger

Fig.	Ref.	Qty.	Descr.	Obs	From	UpTo
1	17121016	1	Plug, drain			
2	17124056	2	Gasket			
3	17712006	1	Pipe			
4	17828006	1	Bolt, Eye			
5	17A13002	1	Exhaust Gasket			
6	17A28002	1	Turbocharger, Assy			
7	17712004	1	Gasket			
8	52102156	2	Bolt DIN 933 M6-16 8.8			
9	17A12005	1	Oil Turbocharged Pipe			
10	54081020	2	Clamp DIN 3017 20-32/9 W4			
11	17728007	1	Hose, Oil			
12	17728008	1	Elbow			



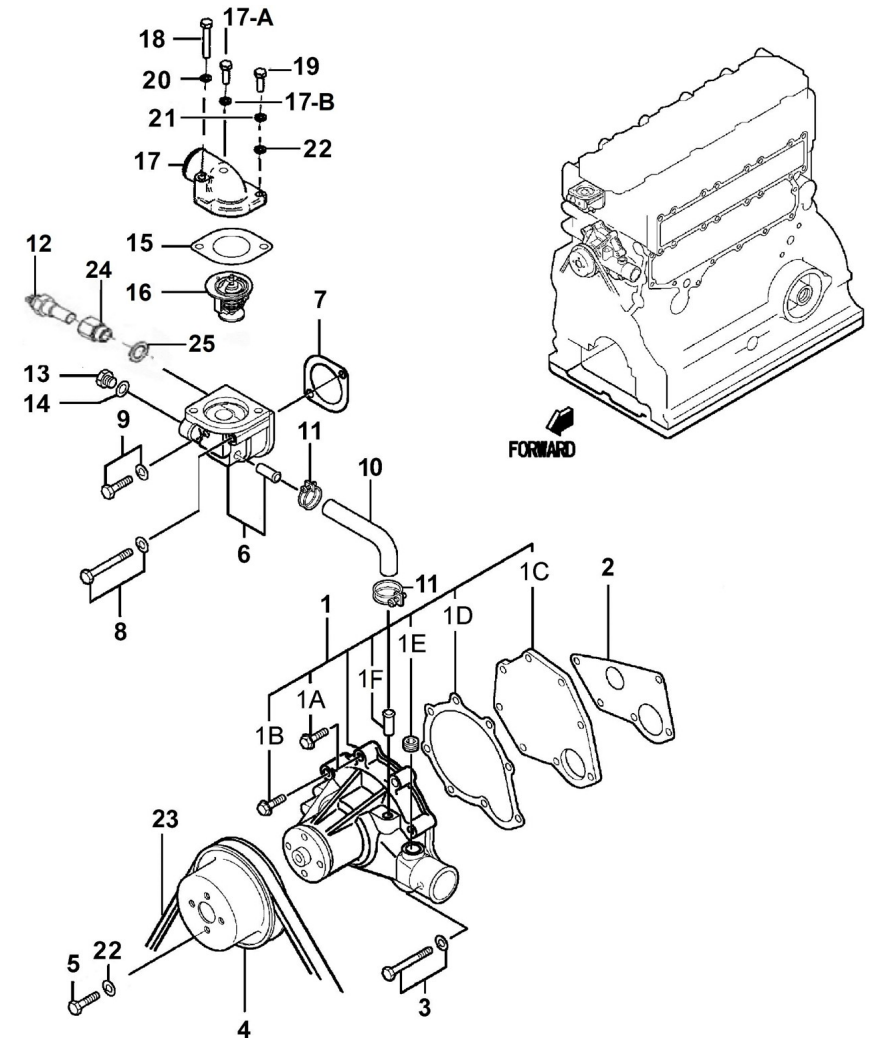
D GP01 2 3 Spare Parts, Turbocharger

Fig.	Ref.	Qty.	Descr.	Obs	From	UpTo
1	17A28012.11	2	Rivet			
2	17728002.4	1	Gasket,TURBO			
3	17A28002.8	1	Turbocharger, Conch			
4	17A28002.9	1	Core Assembly, Turbo			
5	17728002.7	1	Pin			
6	17A28002.10	1	Washer			
7	17A28012.10	1	Ring Snap			
8	17A28012.12	1	Clamp			
9	17A28012.1	1	Case, Turbine			
NS	17A28011	1	Turbocharger Repair Kit			



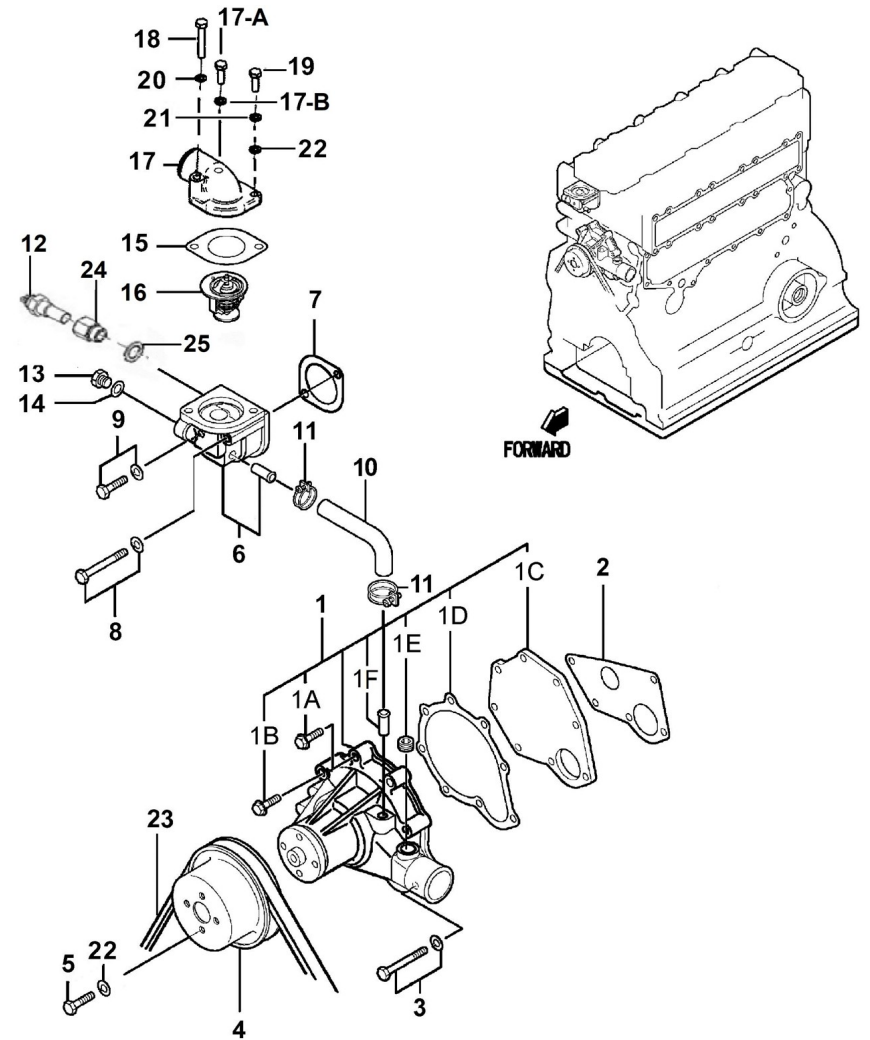
D GP01 3 1 Water Pump

Fig.	Ref.	Qty.	Descr.	Obs	From	UpTo
1	17421020G	1	Fresh Water Assy (tube 10)			
1A	17122051	1	Bolt, w/washer			
1B	MHF180508035	2	BOLT, WASHER ASSY			
1C	17421043	1	Cover,Water Pump			
1D	17421022	1	Gasket,Pump Cover			
1E	(*)	2	Not available			
2	17421041	1	Gasket,Side Cover			
3	17421039G.1	5	Bolt,W/Washer (Generator)			
4	17421021G	1	Pulley,Water Pump			
5	52102257	4	Bolt DIN 933 M8-20 8.8			
6	17421037	1	Case Assy,Thermostat			
7	17421016G.1	1	Gasket(Generator)			28/01/2020
7	17421016G.2	1	Gasket (Generator)			28/01/2020
8	17821038	1	Bolt, Flange			
9	17821039	1	Bolt, Flange			
10	17421025	1	Hose,BY-PASS			
11	17121036	2	Clamp, hose			
12	60900982	1	Temperature Sender Bipolar			
13	17121016	2	Plug, drain			
14	17121013	13	Gasket			
15	17821031	1	Gasket			
16	17121027	1	Thermostat			
17	17111020	1	Fitting,water outlet			
17A	13811035	1	Bolt,bleed			
17B	56000053	1	Washer 6-10-1,5			
18	52101263	1	Bolt DIN 931 M8-50 8.8			
19	52102259	2	Bolt DIN 933 M8-30 8.8			
20	53038008	1	Washer DIN 6798-A 8			
21	51030005	1	Washer DIN 125-5			
22	53033008	1	Washer GROWER DIN 127-8			
23	17421028G	1	Belt Type BX 44 1160			



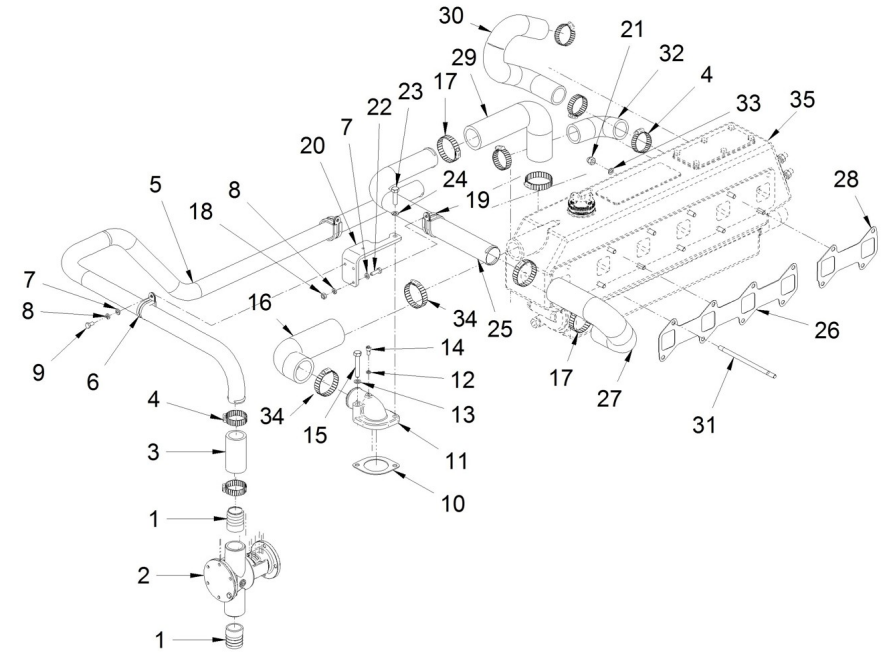
D GP01 3 1 **Water Pump**

Fig.	Ref.	Qty.	Descr.	Obs	From	UpTo
24	60900999.1	1	Connection M14X1,5 5/8" EXA.19 L=25			
25	56000073	1	Copper Washer 16-23-1,5			



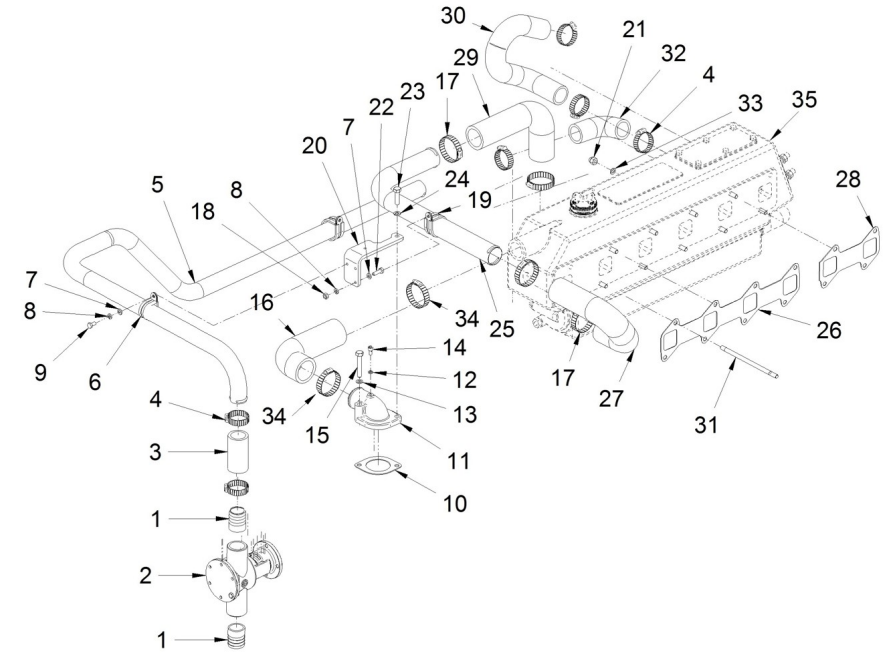
D GP01 3 2 Cooler Pipes

Fig.	Ref.	Qty.	Descr.	Obs	From	UpTo
1	60180007	1	Outlet Coupling			
2	37811000	1	Cross Brace Pump 1" SM-82/94 Gen.SM-81			
3	13611038	1	Pipe 30-40-75			
4	54082025	6	Clamp DIN 3017 25-40/12 W4			
5	17A11011	1	Brass Pipe D32			
6	59071304	2	Clamp RSGU 1 30/15 W1			
7	51030006	2	Washer DIN 125-6			
8	53033006	2	Washer GROWER DIN 127-6			
9	52102155	2	Bolt DIN 933 M6-12 8.8			
10	17111021	1	Gasket			
11	17111020	1	Fitting,water outlet			
12	56000053	1	Washer 6-10-1,5			
13	53038008	1	Washer DIN 6798-A 8			
14	13811035	1	Bolt,bleed			
15	52101263	1	Bolt DIN 931 M8-50 8.8			
16	17411013	1	Thermostat Water Outlet Elbow			
17	54082032	3	Clamp DIN 3017 32-50/12 W4			
18	52120006	1	Nut DIN 934 M6 8.8			
19	59071383	1	Clamp TYP.1 38/15 W1			
20	17A11014.1	1	Bracket			
21	55122008	12	Nut DIN 1587 M8			
22	52102157	1	Bolt DIN 933 M6-20 8.8			
23	52102259	1	Bolt DIN 933 M8-30 8.8			
24	53033008	1	Washer GROWER DIN 127-8			
25	17011022	1	Pipe,from cooler to engine			
26	17421035	1	Gasket,Exhaust Manifold			
27	16711016	1	Rubber Elbow			
28	17521035	1	Gasket			
29	17511013	1	Elbow			
30	17811034	1	Rubber Wet Exhaust Inlet Bend			
31	17411015	12	Stud			



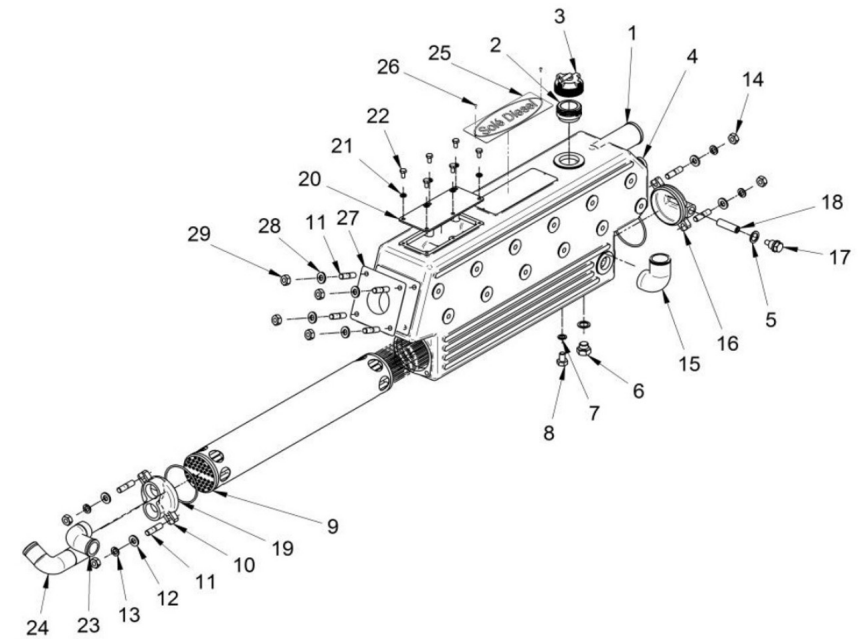
D GP01 3 2 Cooler Pipes

<i>Fig.</i>	<i>Ref.</i>	<i>Qty.</i>	<i>Descr.</i>	<i>Obs</i>	<i>From</i>	<i>UpTo</i>
32	17411035	1	Elbow Rubber			
33	56000057	12	Washer 8-13-1,5			
34	54082040	2	Clamp DIN 3017 40-60/12 W4			
35	17A11000REC	1	Water Cooler Assy SM-81			



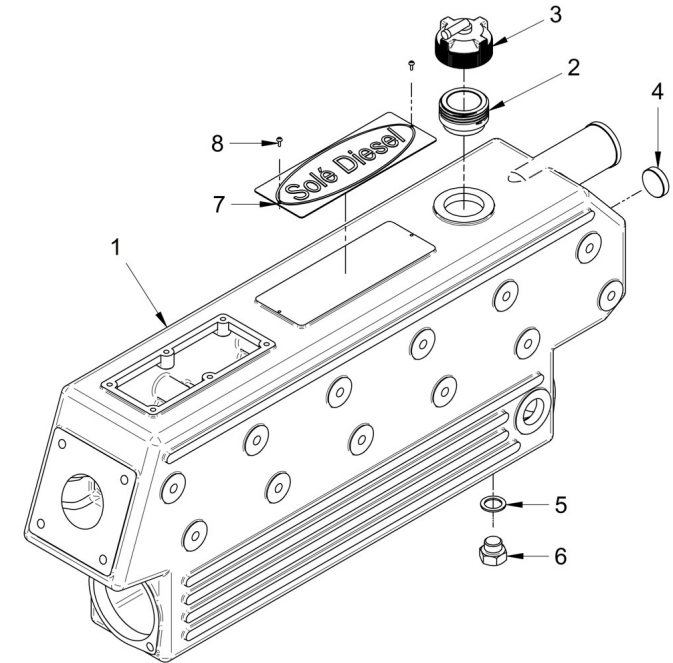
D 17A11000REC Water Cooler Assy SM-81

Fig.	Ref.	Qty.	Descr.	Obs	From	UpTo
1	17A11001	1	Body, Water Cooler			
2	17411004	1	Adapter, MTA Cap			
3	13811010	1	Cap			
4	12113092	1	Plug			
5	56000073	2	Copper Washer 16-23-1,5			
6	12111076	1	Plug			
7	56000061	1	Washer 10-16-1,5			
8	54102306	1	Bolt DIN 933 M10-16 INOX.			
9	19011004	1	Tubular Bundle			
10	17411003	1	Water Cooler Cover			
11	16511007	4	Stud			
12	51030010	4	Washer DIN 125-10			
13	53033010	4	Washer GROWER DIN 127-10			
14	54120010	4	Nut DIN 934 M10			
15	17111011	1	Elbow 1 1/8"			
16	18011002	1	Water Cooler Cover			
17	18011009	1	Anode Plug			
18	18011031	1	Engine Anode 45 mm M.8			
19	18011008	2	O-Ring D. 72X3			
20	18211002	1	Cover			
21	53033006	6	Washer GROWER DIN 127-6			
22	52102155	6	Bolt DIN 933 M6-12 8.8			
23	14711021	1	Elbow N°1			
24	14711030	1	Brass Elbow Connector			
26	17111062	2	Bolt			
27	17A13002	1	Exhaust Gasket			
29	55120110	4	Nut DIN 934 M10			



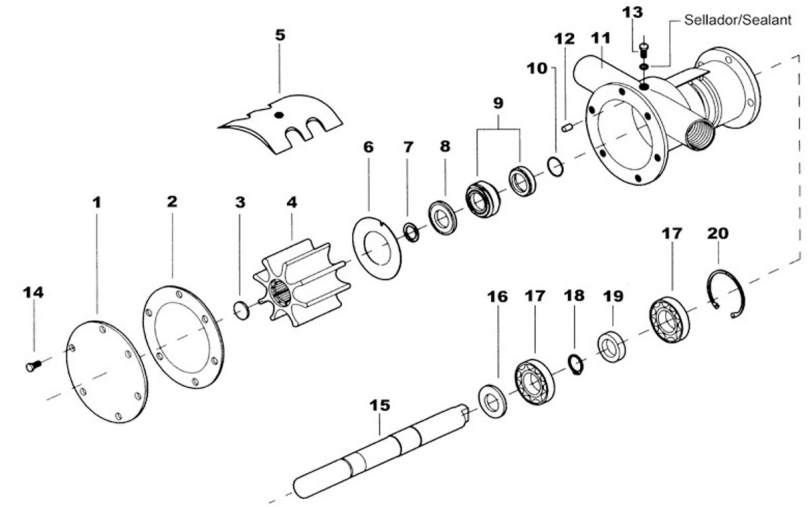
17A11001C Body, Water Cooler and Cap

Fig.	Ref.	Qty.	Descr.	Obs	From	UpTo
1	17A11001	1	Body, Water Cooler			
2	17411004	1	Adapter, MTA Cap			
3	13811010	1	Cap			
4	12113092	1	Plug			
5	56000073	1	Copper Washer 16-23-1,5			
6	12111076	1	Plug			
7	17111060	1	Plate "SOLE Diesel"			
7	17111067	1	Plate "SOLE ADVANCE"			
8	17111062	2	Bolt			



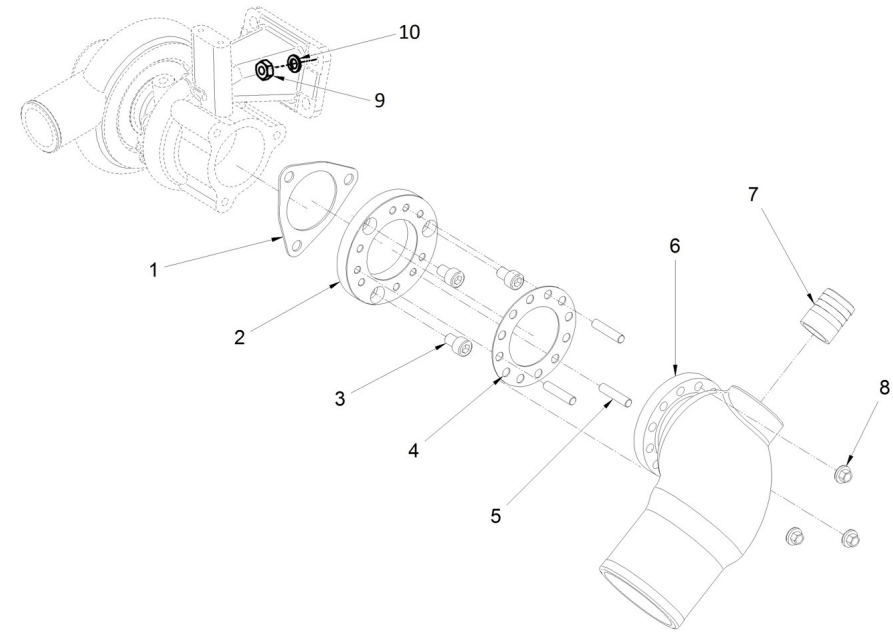
37811000 **Cross Brace Pump 1" SM-82/94 Gen.SM-81**

Fig.	Ref.	Qty.	Descr.	Obs	From	UpTo
1	34711002	1	Cover Pump			
2	34711003	1	Gasket Cover			
3	34711041	1	Impeller Plug			
4	34711008	1	1" Impeller			
5	37811005	1	Cam 6,5 mm			
6	34711026	1	Plate,Friction			
7	54040016	1	CIRclip E-16			
8	36511018	1	Washer,seal			
9	36511019	1	Seal			
10	33311013	1	O-Ring D. 15X2			
11	36511001	1	Body,water pump			
12	36511017	1	Pin,Dowel			
13	54108154	1	Bolt DIN 84 M6-10			
14	54102154	6	Bolt DIN 933 M6-10 INOX			
15	36511010	1	Shaft,pump			
16	36511015	1	Spacer 17X24X7			
17	33311014	2	Ball Bearing 6203			
18	53040017	1	Circlip DIN 471 E-17			
19	36511020	1	Seal 16-30-7			
20	53041040	1	Circlip DIN 472 I-40			



D GP01 3 5 **Wet Exhaust**

Fig.	Ref.	Qty.	Descr.	Obs	From	UpTo
1	17A21014	1	Turbo Gasket			
2	17A13014	1	Coupling			
3	52103306	3	Bolt DIN 912 M10-15 8.8			
4	16513016	1	Exhaust Elbow Gasket			
5	13311006	3	Stud,cover			
6	16513015	1	Elbow, wet exhaust			
7	60180007	1	Outlet Coupling			
8	51125008	3	Nut Exhaust			
9	55120110	4	Nut DIN 934 M10			
10	53033010	4	Washer GROWER DIN 127-10			

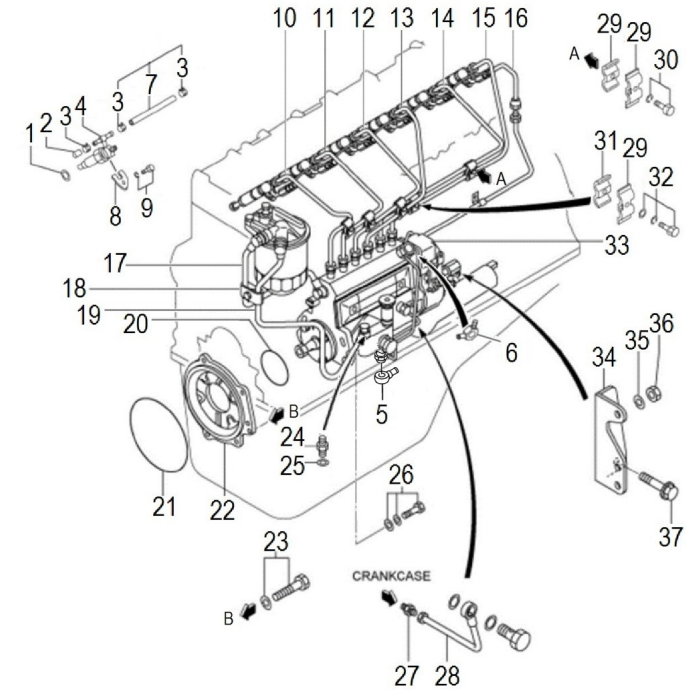


Genset 68 GT/GTC & 84 GTA/GTAC

Fuel System

D GPO1 4 1 Fuel Pipe

Fig.	Ref.	Qty.	Descr.	Obs	From	UpTo
1	17024013	6	Gasket Nozzle			
2	17824008	1	Cap			
3	17824006	13	Clip,Hose			
4	17A24004	6	Nozzle Assy			
5	17A24027	1	Nipple, Swiveling			
6	17A25002	1	Nipple			
7	17824005	6	Hose			
8	17824013	6	Support, Nozzle			
9	17822118	6	Bolt, Flange			
10	17A24015	1	Pipe Injection N.1			
11	17A24016	1	Pipe Injection N.2			
12	17A24019	1	Pipe Injection N.3			
13	17A24022	1	Pipe Injection N.4			
14	17A24023	1	Pipe Injection N.5			
15	17A24024	1	Pipe Injection N.6			
16	17A24005	1	Pipe, Fuel			
17	17A24069	1	Pipe, Fuel			
18	17424026	1	Clamp,Pipe			
19	17A24007	1	Hose Fuel			
20	17520075	1	O-Ring D. 75X25			
21	17420047	1	O-Ring D. 140X2			
22	17A25005	1	Flange, inj.pump			
23	17721012	1	Bolt,W/Washer			
24	17A24003	1	Nipple			
25	17424008	1	Washer,SealING			
26	17425029	4	Bolt,W/Washer			
27	17424032	1	Connector			
28	17524033	1	Pipe,Oil			
29	13124018	6	Clamp (A)			
30	13124017	5	Clamp (B)			
32	17A24025	1	Bolt			

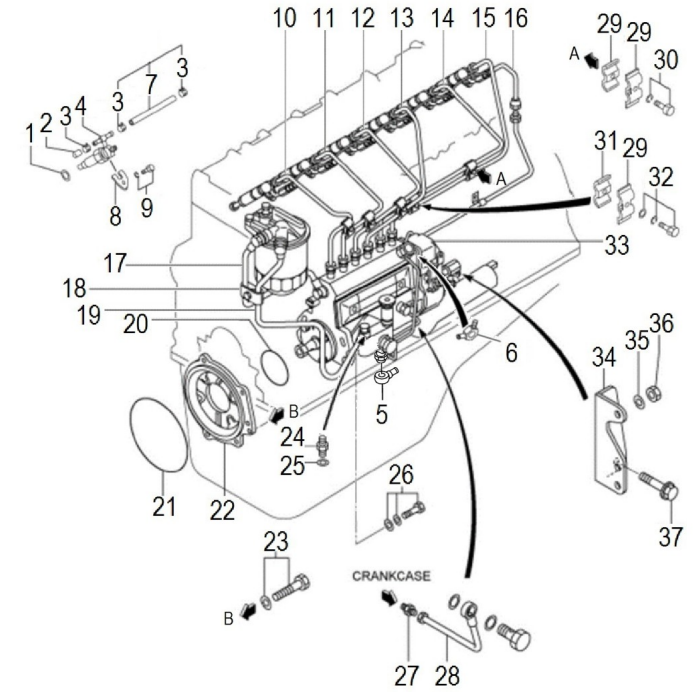


Genset 68 GT/GTC & 84 GTA/GTAC

Fuel System

D GP01 4 1 Fuel Pipe

Fig.	Ref.	Qty.	Descr.	Obs	From	UpTo
33	17A25001	1	Fuel Injection Pump			
34	17524034	1	Bracket,INJ Pump			
35	13321016	1	Washer Spring			
36	17120049	1	Nut M8			
37	17425036	1	Bolt,Flange			

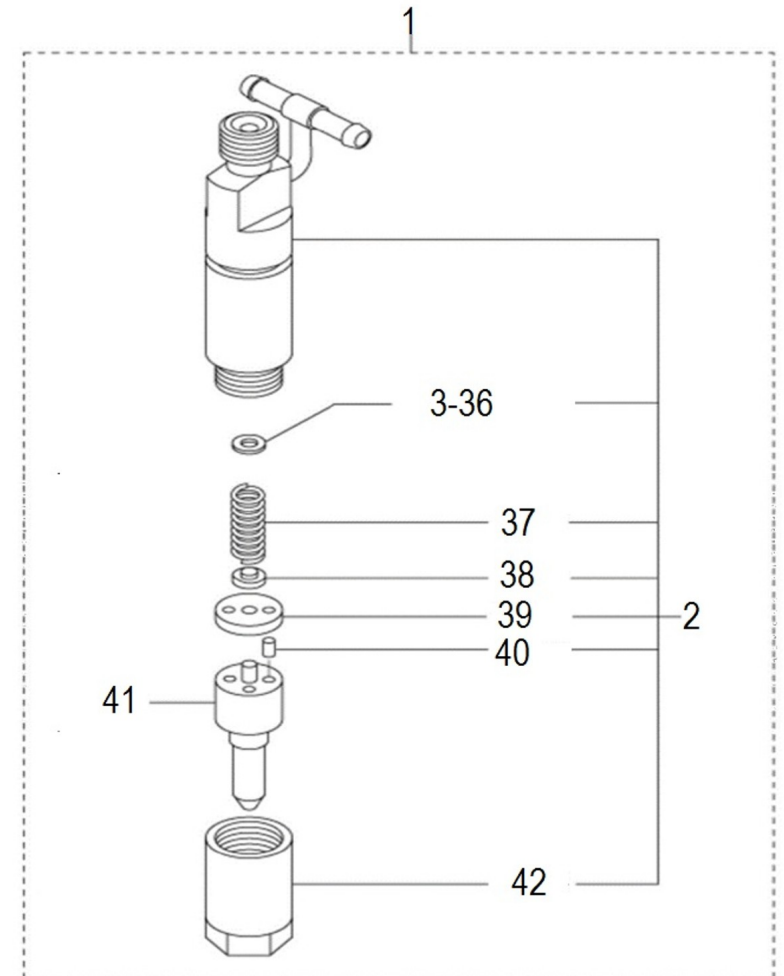


Genset 68 GT/GTC & 84 GTA/GTAC

Fuel System

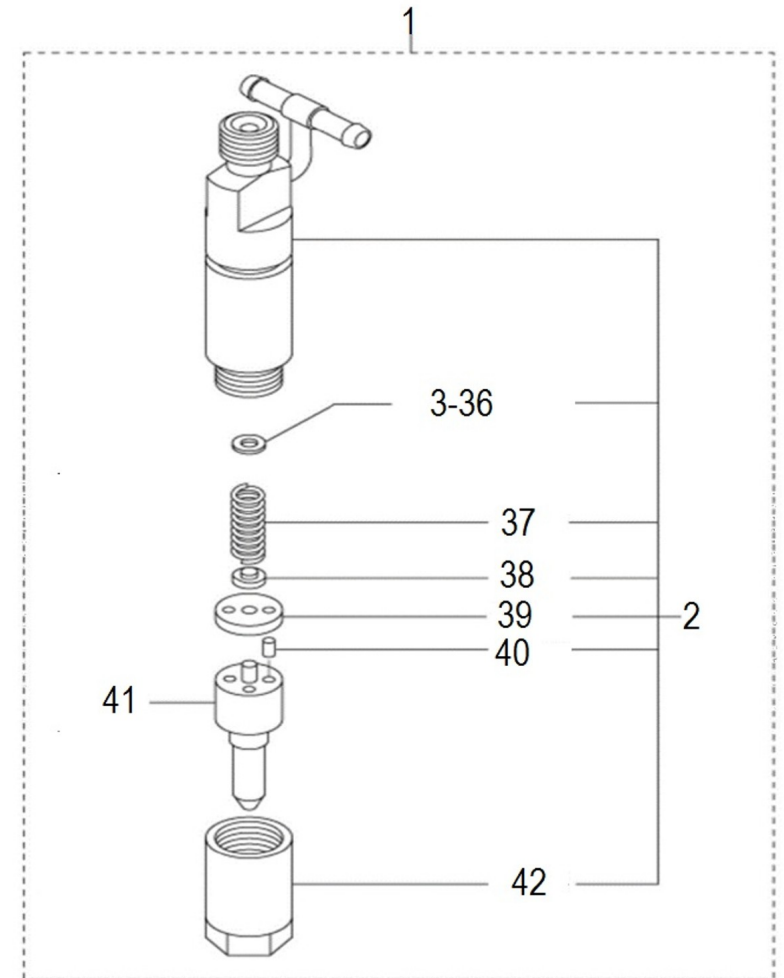
D GP01 4 2 Injection Nozzle

Fig.	Ref.	Qty.	Descr.	Obs	From	UpTo
1	17A24004	6	Nozzle Assy			
2	17A26002	6	Injection Nozzle			
3	17A26003	0	Washer 1,00	#		
4	17026144	0	Washer 1,050	#		
5	17026145	0	Washer 1,100	#		
6	17026146	0	Washer 1,150	#		
7	17026010	0	Washer 1,20	#		
8	17026011	0	Washer 1,25	#		
9	17026012	0	Washer 1,30	#		
10	17026013	0	Washer 1,35	#		
11	17A26014	0	Washer 4,00	#		
12	17A26015	0	Washer 4,50	#		
13	17026016	0	Washer 1,50	#		
14	17026017	0	Washer 1,55	#		
15	17026019	0	Washer 1,60	#		
16	17026020	0	Washer 1,65	#		
17	17A26021	0	Washer 1,70	#		
18	17026022	0	Washer 1,75	#		
19	17026023	0	Washer 1,80	#		
20	17026131	0	Washer 1,275	#		
21	17026132	0	Washer 1,325	#		
22	17026133	0	Washer 1,375	#		
23	17026134	0	Washer 1,425	#		
24	17026135	0	Washer 1,475	#		
25	17A26022	0	Washer 0,950	#		
26	17A26023	0	Washer 0,700	#		
27	17A26024	0	Washer 0,750	#		
28	17A26025	0	Washer 0,800	#		
29	17A26026	0	Washer 0,850	#		
30	17A26027	0	Washer 0,900	#		
31	17A26028	0	Washer 0,975	#		



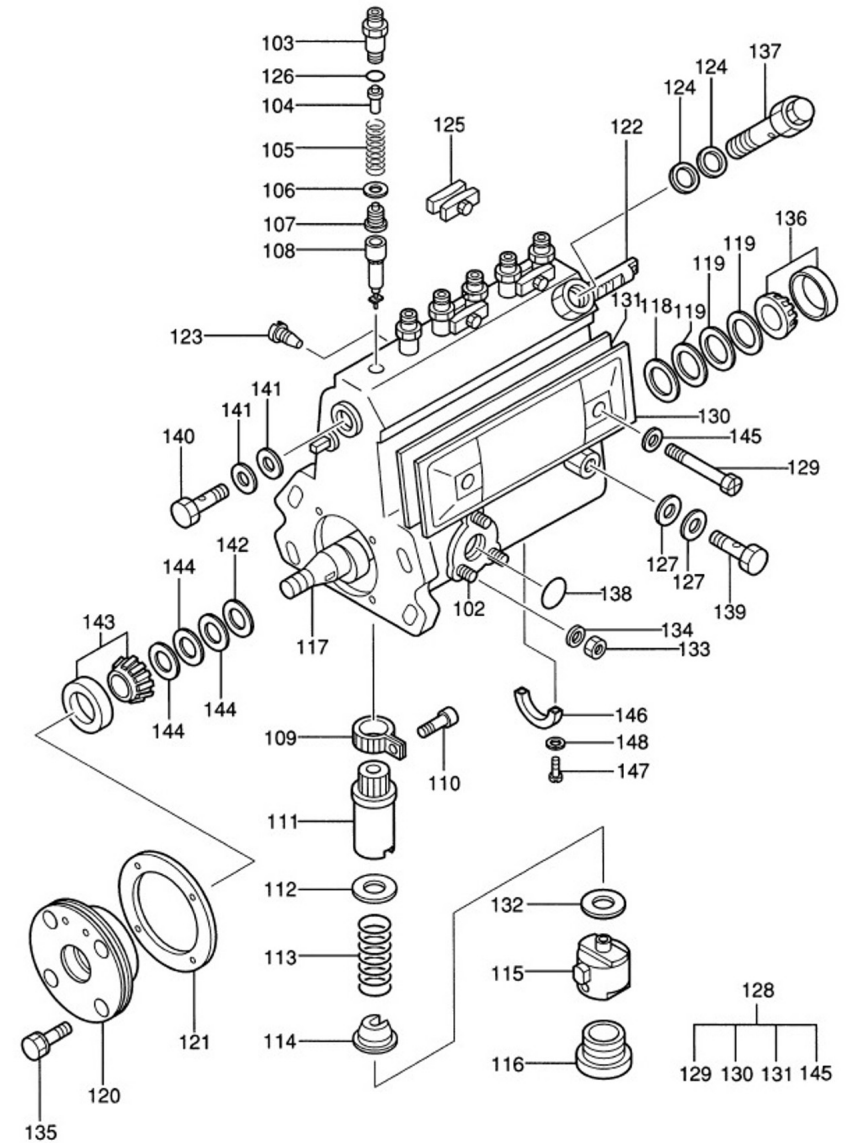
D GP01 4 2 Injection Nozzle

Fig.	Ref.	Qty.	Descr.	Obs	From	UpTo
32	17A26029	0	Washer 1,025	#		
33	17A26030	0	Washer 1,075	#		
34	17A26031	0	Washer 1,125	#		
35	17A26032	0	Washer 1,175	#		
36	17A26033	0	Washer 1,225	#		
37	17026104	6	Spring,pressure			
38	17026103	6	Pin,pressure			
39	17026107	6	Packing,tip			
40	17026008	12	Pin Straight			
41	17A26034	6	Nozzle Assy			
42	17A26006	6	Nut			



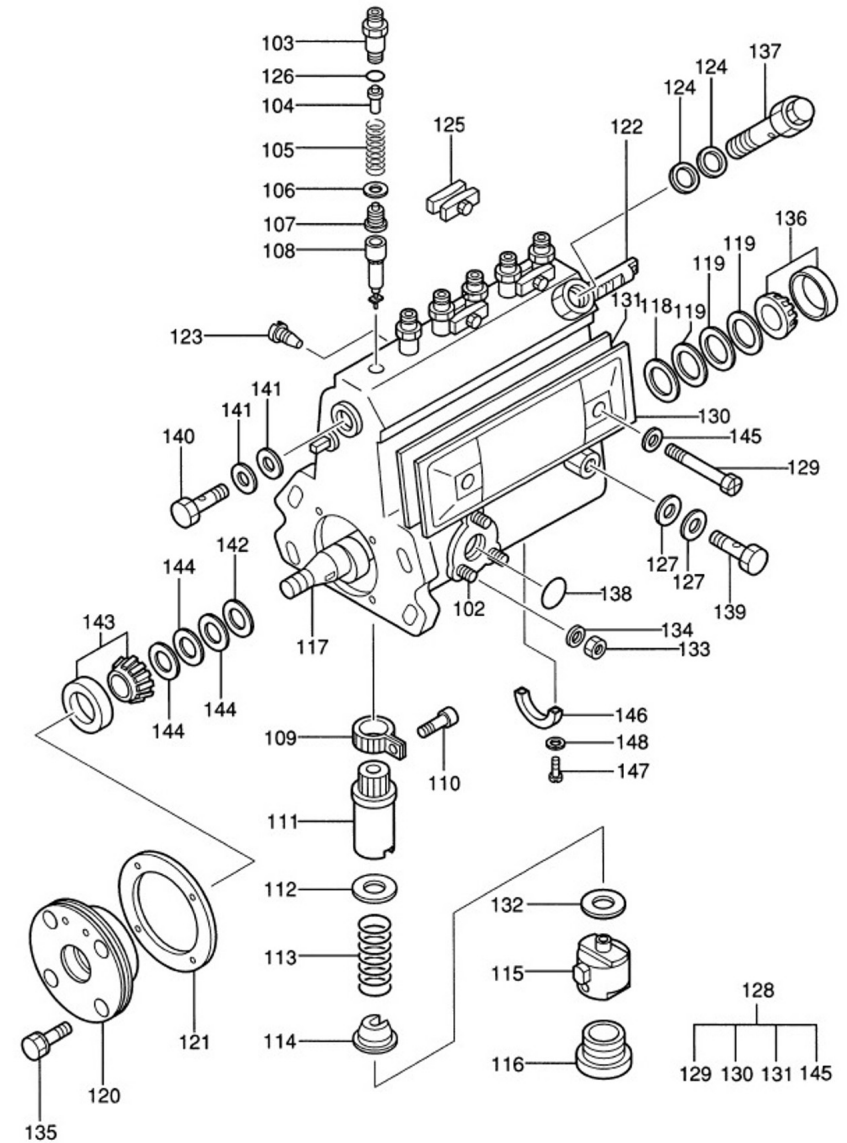
D GPO1 4 3 Injection Pump

Fig.	Ref.	Qty.	Descr.	Obs	From	UpTo
102	13325239	3	Stud			
103	17A22119	6	Holder, Delivery			
104	17A22120	6	Stopper, Delivery			
105	17A22121	6	Spring, Delivery			
106	17425012	6	Gasket,Valve			
107	17A22122	6	Valve, Delivery			
108	17A22123	6	Element, Pump			
109	13325241	6	PinION Control			
110	13325240	6	Screw			
111	17425015	6	SLEEVE,Control			
112	17425011	6	SHEET,Upper Spring			
113	17A22124	6	Spring, Plunger			
114	17425013	6	SHEET,LOWER Spring			
115	13325261	6	Tappet Assy			
116	17425022	6	Plug,Screw			
117	17A22125	1	Camshaft			
118	13325226	1	Ring			
119	13325219	0	Plate 0,1	#		
119	13325220	0	Plate 0,12	#		
119	13325221	0	Plate 0,14	#		
119	13325222	0	Plate 0,16	#		
119	13325223	0	Plate 0,18	#		
119	13325224	0	Plate 0,3	#		
119	13325225	0	Plate 0,5	#		
119	17425030	0	Shim Adjusting T=1.00	#		
119	17425031	0	Shim Adjusting T=1,50	#		
119	17425032	0	Shim Adjusting T=2.00	#		
119	17425033	0	Shim Adjusting T=0.03	#		
120	17A22126	1	Cover, Bearing			
121	17A22127	1	Gasket, Bearing Cover			
122	13325211	1	RACK Control			



D GPO1 4 3 Injection Pump

Fig.	Ref.	Qty.	Descr.	Obs	From	UpTo
123	17425027	1	Screw,RACK Guide			
124	17A22128	2	Washer, Union			
125	17425035	3	Plate			
126	17425010	6	O-Ring			
127	13825031.3	2	Washer,DRAIN Union			
128	17525227	1	Cover SUB Assy			
129	17425041	2	Screw,HEXAGON			
130	17525229	1	Cover,Plate			
131	17525228	1	Gasket,Cover Plate			
132	13125014	0	Shim T=0,60	#		
132	13325253	0	Shim T=0.70	#		
132	13325254	0	Shim T=0.80	#		
132	13325255	0	Shim T=0.90	#		
132	13325256	0	Shim T=1.00	#		
132	13325257	0	Shim T=1.10	#		
132	13325258	0	Shim T=1.20	#		
132	13325259	0	Shim T=1.30	#		
132	13325260	0	Shim T=1.40	#		
133	13325246	0	Shim T=0.10	#		
133	17425019	3	Nut			
134	13125015	0	Shim T=0,2	#		
134	17425007	3	Washer, Spring			
135	13325249	0	Shim T=0.30	#		
135	17A22129	4	Bolt, W/Washer			
136	13125017	0	Shim T=0,4	#		
136	13325217	1	Conical Roller Bearing 30203			
137	13125018	0	Shim T=0,5	#		
137	17A22130	1	Valve Assy, Overflow			
138	13325234	1	O-Ring			
138	13325247	0	Shim T=0.15	#		
139	13325231	1	Screw, Racord			



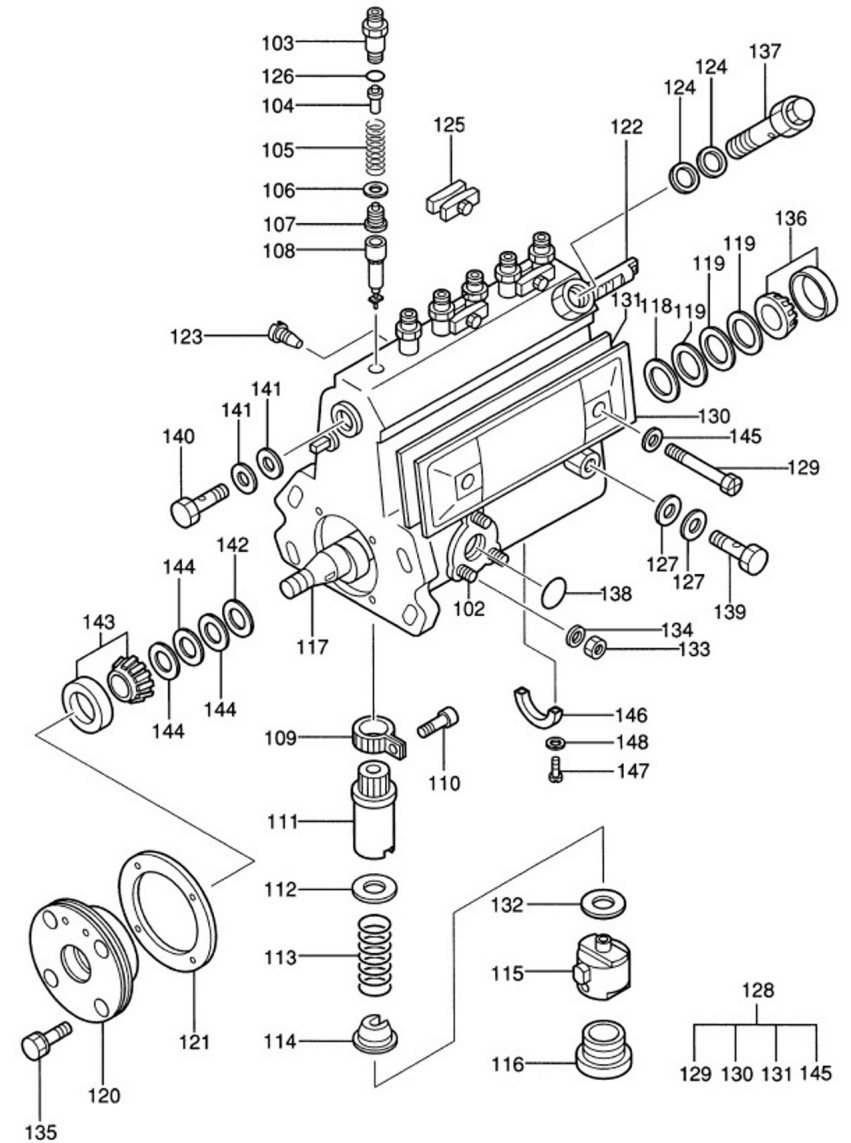
[VAR] - Variable according to repair

Genset 68 GT/GTC & 84 GTA/GTAC

Fuel System

D GPO1 4 3 Injection Pump

Fig.	Ref.	Qty.	Descr.	Obs	From	UpTo
139	17425034	0	Shim T=0.13	#		
140	17325027.1	1	Screw,HOLLOW			
141	13325202	2	Washer			
142	17A22131	1	Ring, Adjusting			
143	17A22132	1	Bearing, Roller			
144	17A22133	0	Shim T=0.10	#		
145	13325215	2	Washer			
145	17A22134	0	Shim T=0.16	#		
146	17A22135	0	Shim T=0.30	#		
146	17A22143	1	Bearing, Center			
147	17525028	2	Screw			
147	17A22136	0	Shim T=0.50	#		
148	13325236	2	Washer			
148	17A22137	0	Shim T=1.00	#		
149	17A22138	0	Shim T=1.50	#		
150	17A22139	0	Shim T=0.12	#		
151	17A22140	0	Shim T=0.14	#		
152	17A22141	0	Shim T=0.18	#		
153	17A22142	0	Shim T=0.03	#		

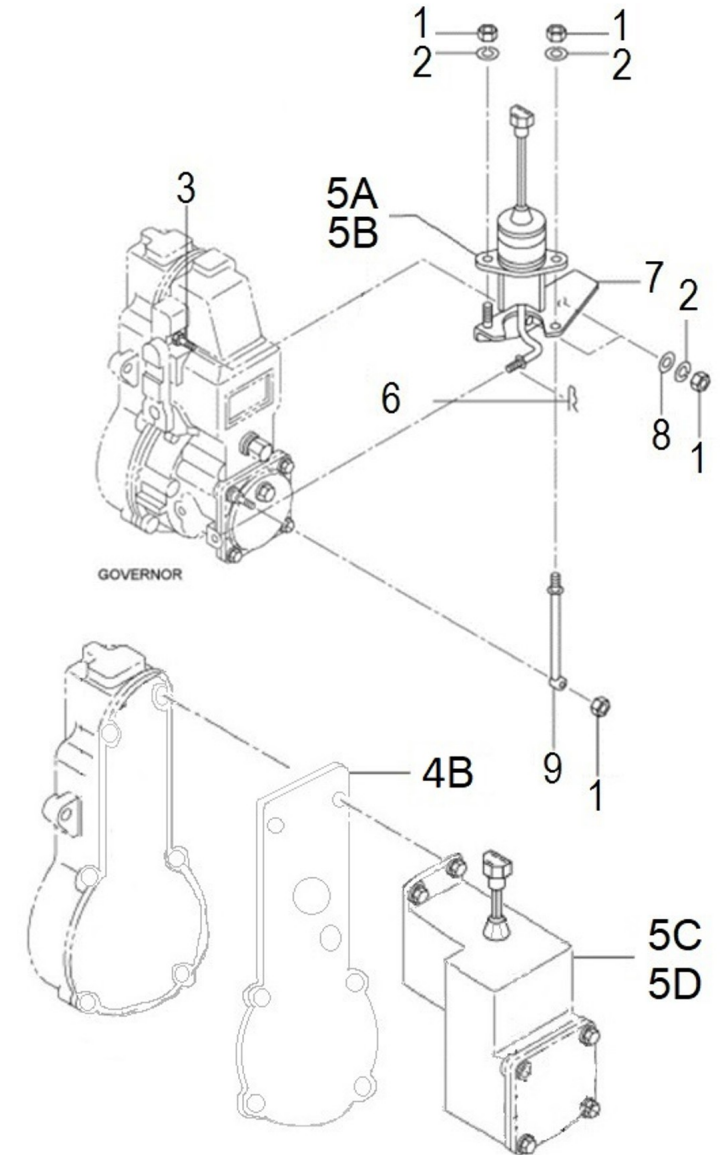


Genset 68 GT/GTC & 84 GTA/GTAC

Fuel System

D GP01 4 4 Governor Parts

Fig.	Ref.	Qty.	Descr.	Obs	From	UpTo
1	17223032	5	Nut			
2	53033006	4	Washer GROWER DIN 127-6			
3	17427003G	2	Rod,Solenoid			
4B	60972518	1	Assembly kit for 175 series actuator			
Figure b for Parallel System						
5A	17424025G	1	Solenoid			
Figure A for 12V System						
5B	17425264.2	1	Solenoid 24V			
Figure b for 24V System						
5C	60972516	1	G.A.C 175 Series 12V Integrated Actuator			
Figure C for Parallel System 12V						
5D	60972520	1	G.A.C. 175 Series 24V Integrated Actuat.			
Figure D for Parallel System 24V						
6	17427009G	1	Clip			
7	17427005G	1	Bracket			
8	51030006	2	Washer DIN 125-6			
9	17427006G	1	ROD,Support			

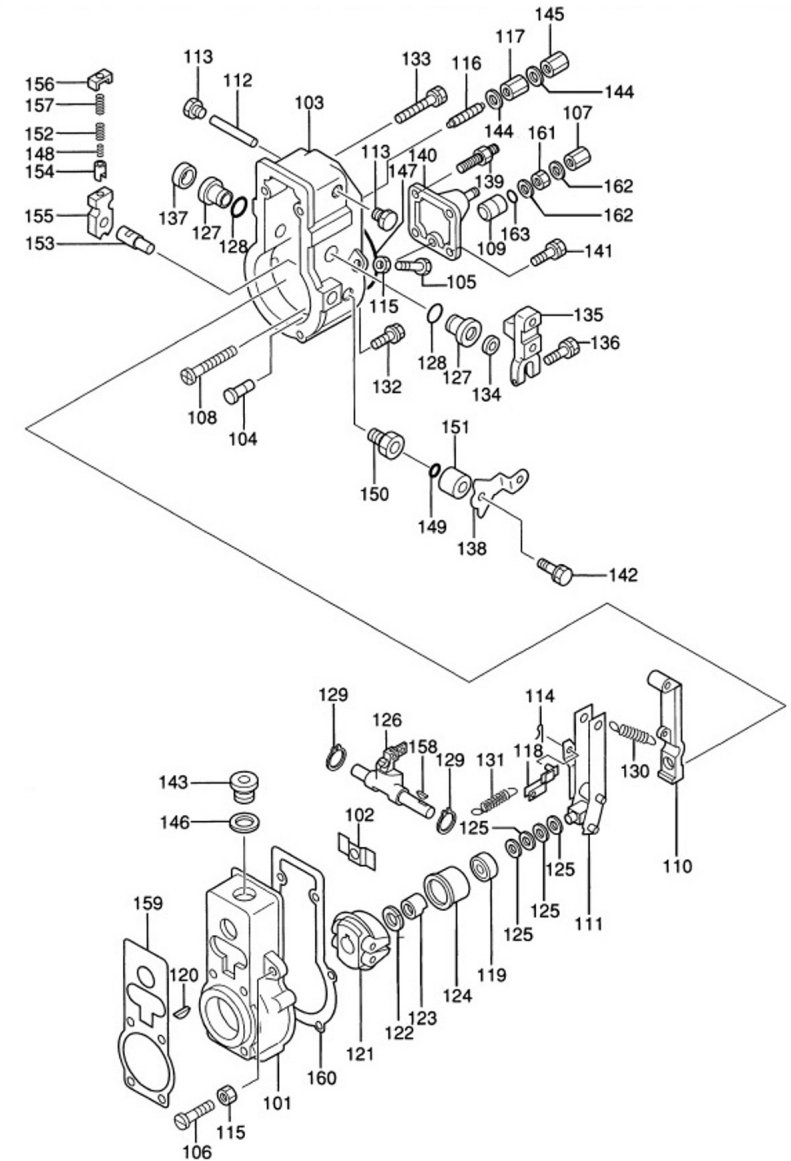


Genset 68 GT/GTC & 84 GTA/GTAC

Fuel System

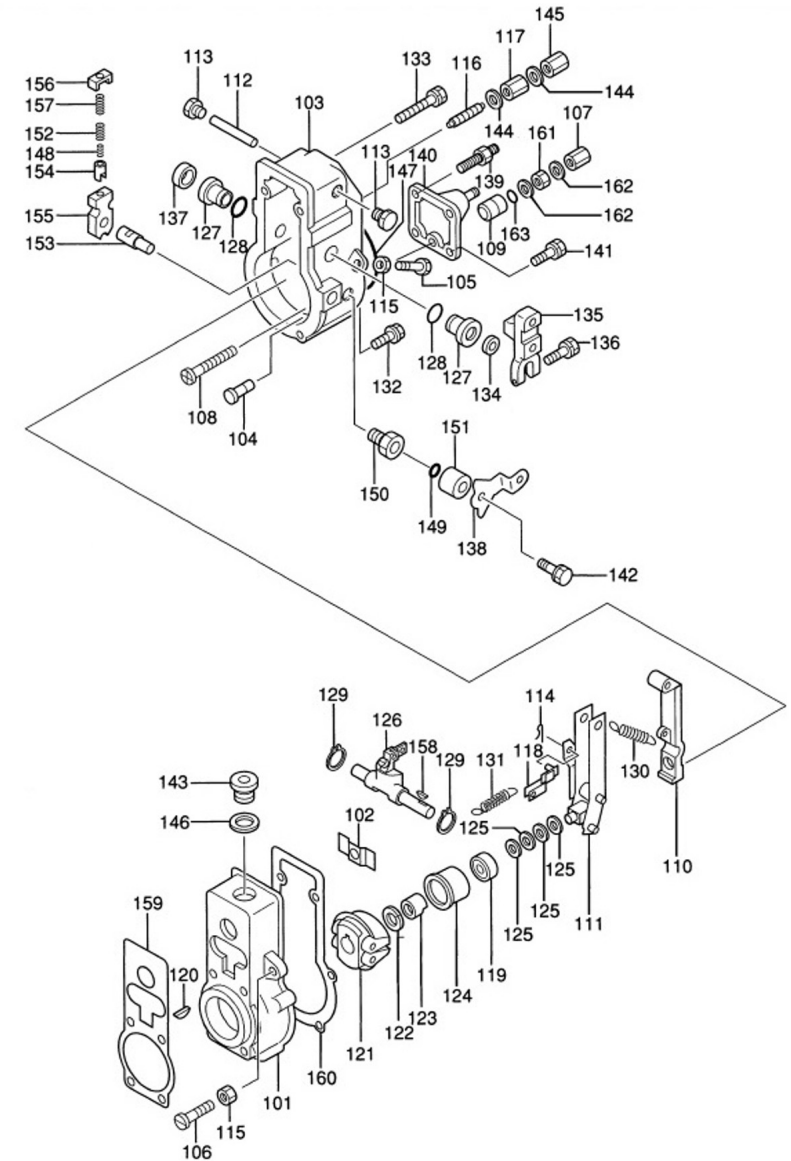
D GPO1 4 6 Governor

Fig.	Ref.	Qty.	Descr.	Obs	From	UpTo
101	17425201	1	Housing,GOverNOR			
102	17425203	1	Plate			
103	17425208	1	Cover,GOverNOR			
104	17425209	1	Pin			
105	17425210	1	Screw,Adjusting			
106	17A22144	1	Screw, Adjusting			
107	17425217	1	Nut			
108	17425212	1	Screw,Adjusting			
109	17425213	1	Bushing			
110	17425218	1	Lever,TENSION			
111	17425245	1	Lever,TENSION			
112	17425222	1	Shaft,Lever			
113	17425223	2	Plug,Screw			
114	17425246	1	Pin,SPLIT			
115	17425211	2	Nut,W/Hole			
116	17A22145	1	Capsule			
117	17425232	1	Nut,Adapter LOCK			
118	17425247	1	SHACKLE			
119	17425239	1	Bearing,Ball			
120	17425205	1	KEY,WOODRUFF			
121	17A22146	1	Flyweight Assy			
122	13325273	1	Washer			
123	17425237	1	Nut,ROUND			
124	17425238	1	SLEEVE,GOverNOR			
125	17425240	0	Washer,Plate T=0.2	#		
125	17425241	0	Washer,Plate T=0.3	#		
125	17425242	0	Washer,Plate T=0.4	#		
125	17425243	0	Washer,Plate T=0.1	#		
125	17425244	0	Washer,Plate T=1.0	#		
126	17425250	1	Lever,SWIVELLING			
127	17425227	2	Bushing,Lever			



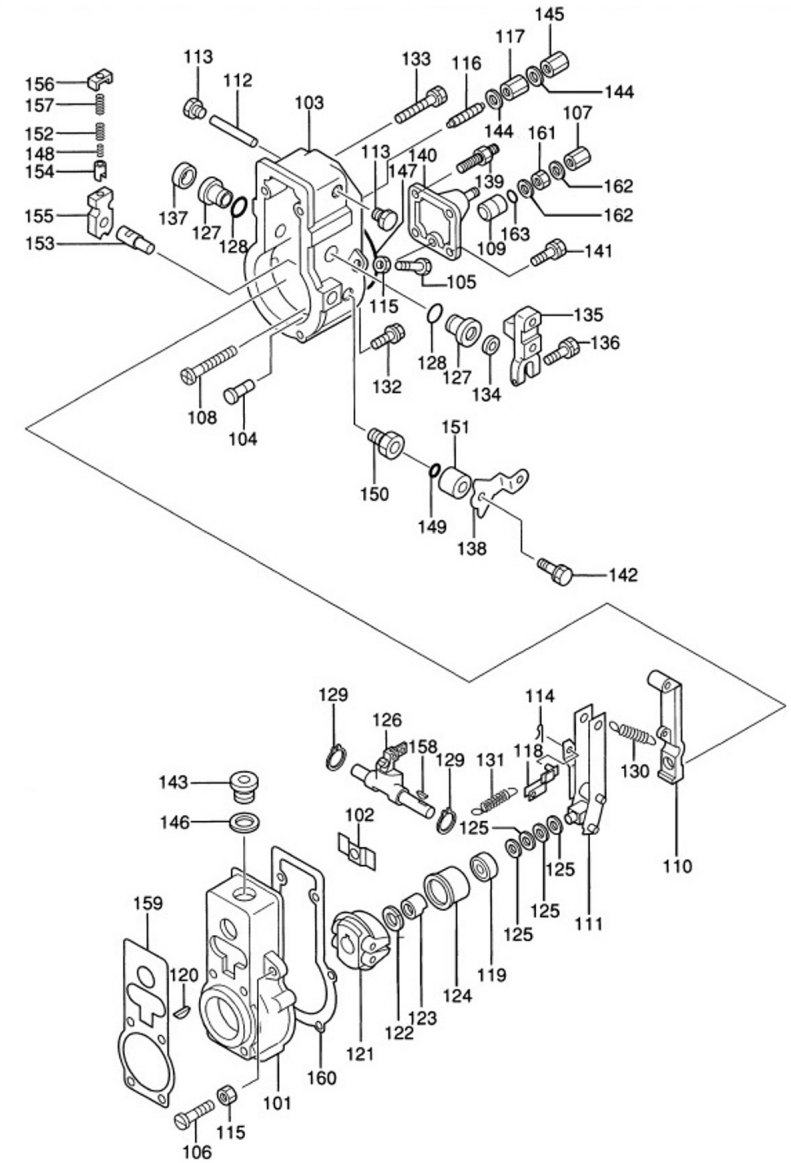
D GPO1 4 6 Governor

Fig.	Ref.	Qty.	Descr.	Obs	From	UpTo
128	17425226	2	O-Ring			
129	17425251	2	Washer,SNAP			
130	17A22147	1	Spring, Control			
131	17425248	1	Spring,START			
132	17425255	4	Bolt,W/Washer			
133	17425300	2	Bolt,W/Washer			
134	17425229	1	Seal,Oil			
135	17425224G	1	Lever,ADJUNTING (Generator)			
136	17425225	1	Bolt,W/Washer			
137	17425228	1	Cap,Lever			
138	17425259G	1	Lever,Stop (Generator)			
139	17425269	2	Bolt,Stud			06/02/2020
139	17425271	2	Bolt,Stud		06/02/2020	
140	17425296	1	Plate,Cover			
141	17425297	2	Bolt,W/Washer			
142	17425260G	1	Bolt,W/Washer (Generator)			
143	17425206	1	Plug,Screw			
144	13325213	2	Washer NIPPLE			
145	17425233	1	Nut,Cap			
146	17425207	1	Washer,COPPER Plate			
147	17425295	1	Packing,Rubber Plate			
148	17425276	1	Spring			
149	17425257	1	O-Ring			
150	17425256G	1	Bushing,Bearing (Generator)			
151	17425258G	1	Cover,Spring (Generator)			
152	17425275	1	Spring			
153	17425279	1	Shaft,GOverNOR			
154	17425277	1	SHEET,spring			
155	17425278	1	Lever,Support			
156	17425273	1	Plate,Cap			
157	17425274	1	Spring			



D GP01 4 6 **Governor**

Fig.	Ref.	Qty.	Descr.	Obs	From	UpTo
158	17425252	1	KEY,WOODRUFF			
159	17425204	1	Gasket			
160	17425202	1	Gasket			
161	17425215	1	Nut,HEXAGON			
162	17225025	2	Washer, Pipe Union			
163	17425214	1	O-Ring			

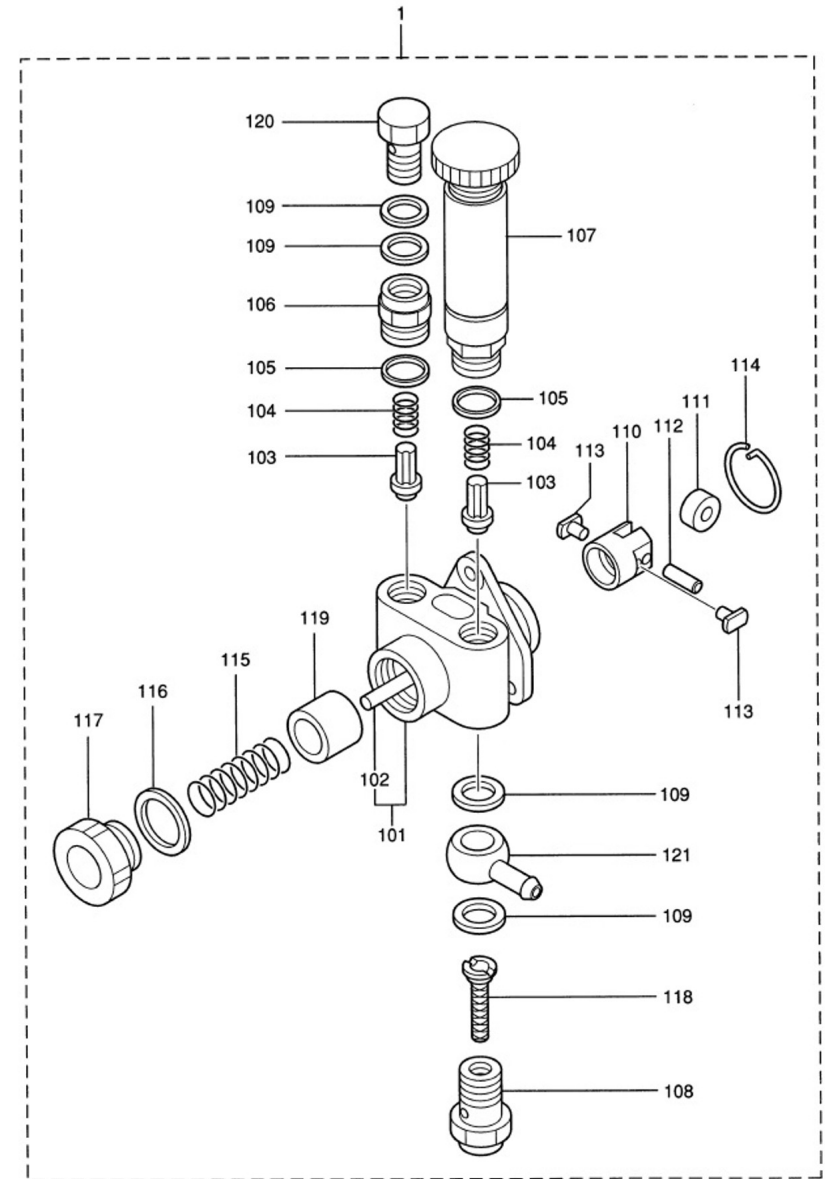


Genset 68 GT/GTC & 84 GTA/GTAC

Fuel System

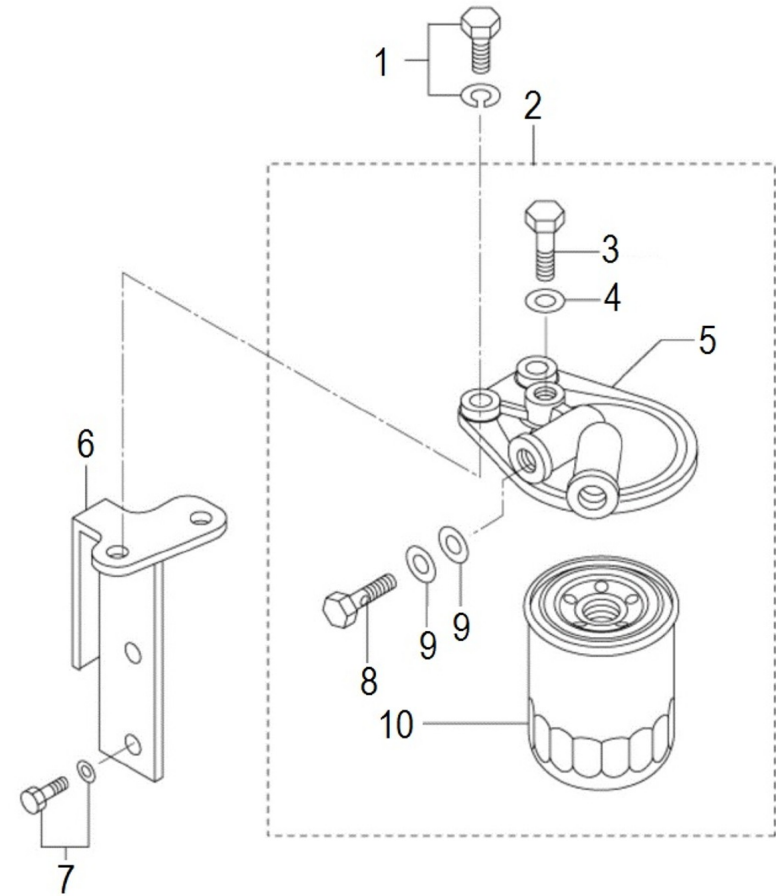
D GPO1 4 7 Feed Pump

Fig.	Ref.	Qty.	Descr.	Obs	From	UpTo
1	17A22148	1	Pump Assy, Feed			
101	13325107	1	Housing Feed Pump			
102	13325120	1	ROD,PUSH			
103	13325106	2	Valve			
104	13325105	2	Spring			
105	13325104	2	Washer			
106	13325103	1	Support			
107	17425102	1	Pump S/Assy,PRIMING			
108	13325112	1	Screw, Racord			
109	13325202	4	Washer			
110	13325115	1	Tappet			
111	13325118	1	Roller			
112	13325117	1	Pin,Roller			
113	13325116	2	Block			
114	13325119	1	Ring			
115	13325110	1	Spring			
116	13325109	1	Washer			
117	13325108	1	Plug			
118	13325113	1	Filter			
119	13325111	1	Piston			
120	17325027.1	1	Screw,HOLLOW			
121	17A22151	1	Nipple, Swiveling			



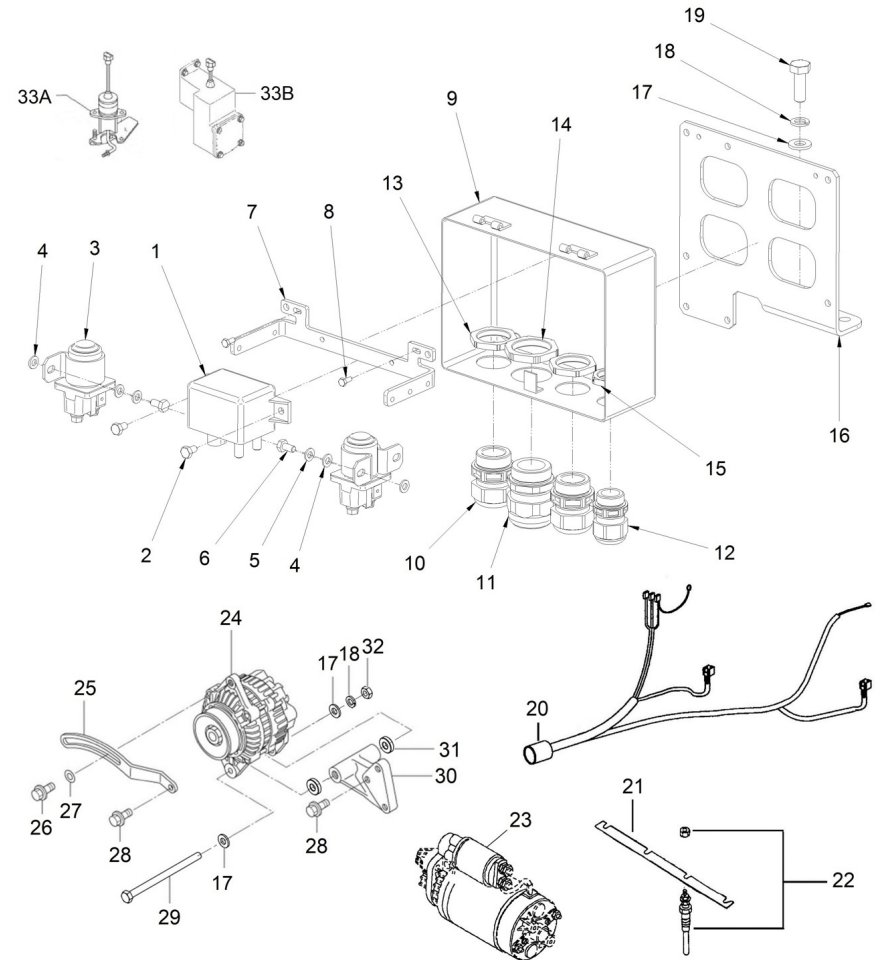
D GP01 4 5 Fuel Filter

Fig.	Ref.	Qty.	Descr.	Obs	From	UpTo
1	17421012G.1	2	Bolt W/Washer (Generator)			
2	17A24020	1	Fuel Filter Assy			
3	17A24076	1	Plug			
4	13125025	1	Washer			
6	17A24002	1	STAY			
7	17120062	2	Bolt,w/washer			
8	17424003	2	Bolt,EYE			
9	17A24008	4	Washer			
10	17A24009	1	Gasoil Filter Element			03/03/2020
10	17A24009.1	1	Gasoil Filter Element		03/03/2020	
10	17A24030	1	Gasoil Filter Element SM-81		03/03/2020	



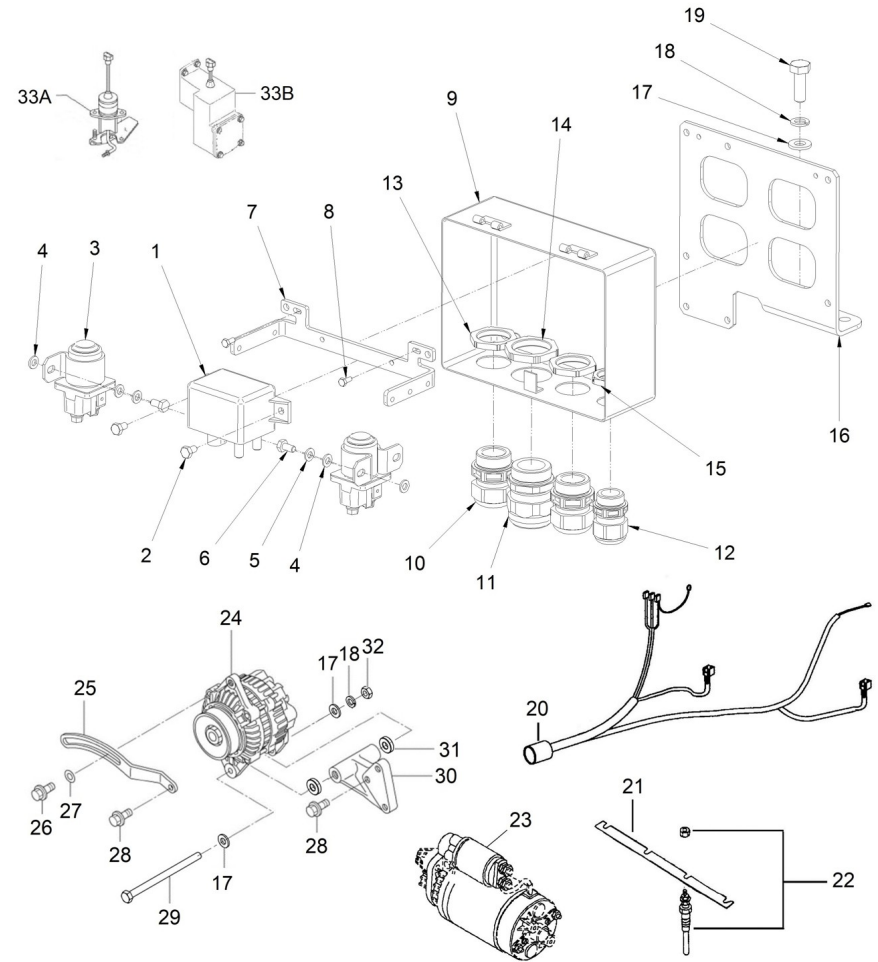
D SM81GTST 05 1 Electrical System 12V

Fig.	Ref.	Qty.	Descr.	Obs	From	UpTo
1	19017113	1	Relay 12V Earth Isolated Nagares			
2	52102154	2	Bolt DIN 933 M6-10 8.8			
3	17527005	2	Relay 12V 200A			
4	58030603	8	Washer DIN 125-6 Nylon			
5	51030006	4	Washer DIN 125-6			
6	58101155	4	Bolt DIN 933 M6-12 Nylon			
7	17A17002	1	Relays Bracket			
8	52102054	2	Bolt DIN 933 M4-10 8.8			
9	6097A001	1	Metal Industrial Box IP55 206x156x83			
10	60900310	2	Connector Press CAPTOR-2000 M32 RAL7001			
11	60900313	1	Cable Gland Captor-2000 PG29			
12	60900306	1	Connector Press CAPTOR-2000 M25 RAL7001			
13	60900311	2	Screw Connector Press Captor-2000 M32			
14	60900314	1	Hexagonal Locknut Captor-2000 PG29			
15	60900309	1	Screw Connector Press Captor-2000 M25			
16	17A17001	1	Relays Box Bracket			
17	51030010	4	Washer DIN 125-10			
18	53033010	3	Washer GROWER DIN 127-10			
19	52102309	2	Bolt DIN 933 M10-30 8.8			
20	6097A203	1	SM81 E. Wiring G.Earth Isolated			
21	17527018	1	Plate Glow Plug			
22	17827017	6	Plug, Glow			
23	17527001G	1	Starter Assy 12 V			
24	17427010G	1	Alternator 12V/50A			
25	17427007	1	Plate,Adjusting			
26	13827012	1	Bolt			
27	17331008	1	Washer			
28	17425036	2	Bolt,Flange			
29	52101326	1	Bolt DIN 931 M10-130 8.8			
30	17427002	1	Bracket,Alternator			
31	17117011	2	Bracket Bakelite Bushing			



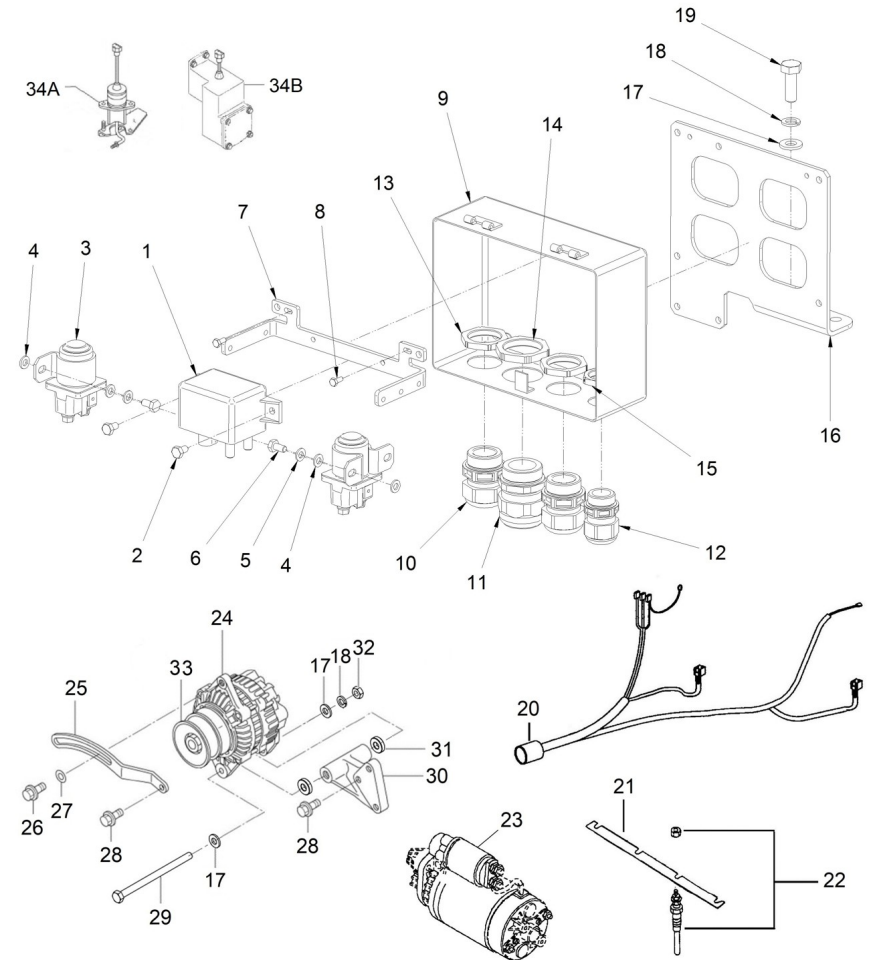
D SM81GTST 05 1 Electrical System 12V

Fig.	Ref.	Qty.	Descr.	Obs	From	UpTo
32	52120010	1	Nut DIN 934 M10 8.8			
33A	17424025G	1	Solenoid			
Figure A for Standard System						
33B	60972516	1	G.A.C 175 Series 12V Integrated Actuator			
Figure b for Parallel System						



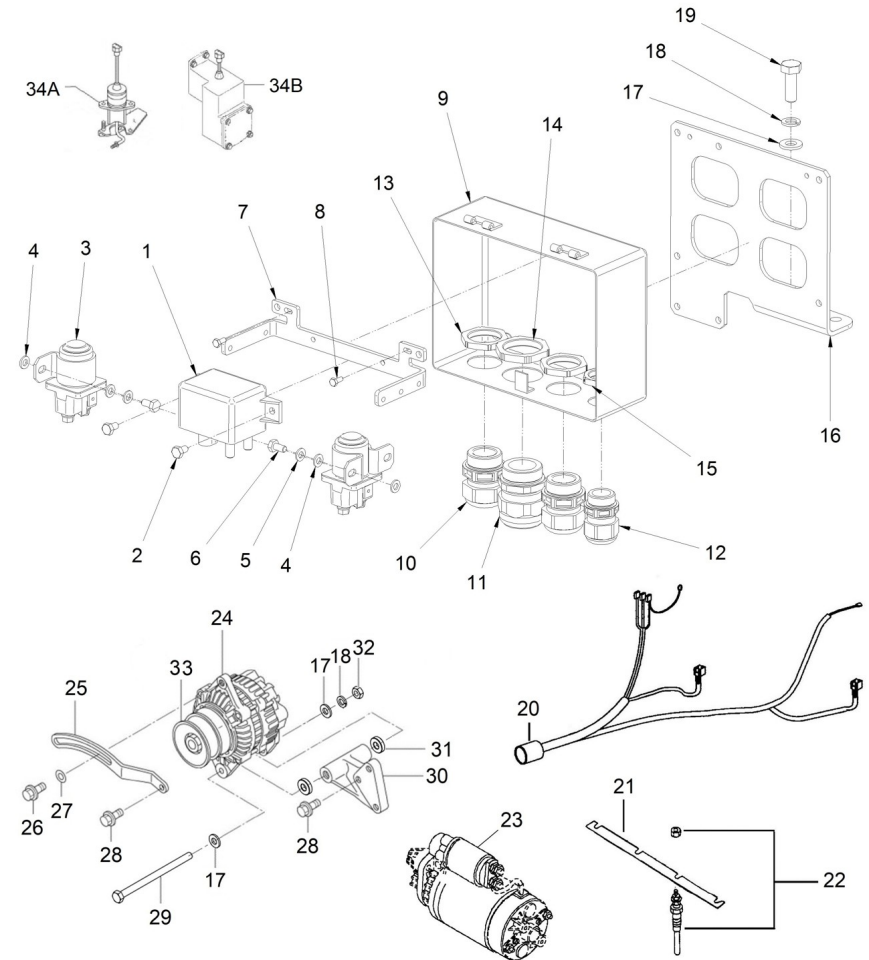
D SM81GTST 05 2 Electrical System 24V

Fig.	Ref.	Qty.	Descr.	Obs	From	UpTo
1	19017114	1	Relay 24V Earth Isolated Nagares			
2	52102154	2	Bolt DIN 933 M6-10 8.8			
3	17417005	2	Relay 24V 24-100			
4	58030603	8	Washer DIN 125-6 Nylon			
5	51030006	4	Washer DIN 125-6			
6	58101155	4	Bolt DIN 933 M6-12 Nylon			
7	17A17002	1	Relays Bracket			
8	52102054	2	Bolt DIN 933 M4-10 8.8			
9	6097A001	1	Metal Industrial Box IP55 206x156x83			
10	60900310	2	Connector Press CAPTOR-2000 M32 RAL7001			
11	60900313	1	Cable Gland Captor-2000 PG29			
12	60900306	1	Connector Press CAPTOR-2000 M25 RAL7001			
13	60900311	2	Screw Connector Press Captor-2000 M32			
14	60900314	1	Hexagonal Locknut Captor-2000 PG29			
15	60900309	1	Screw Connector Press Captor-2000 M25			
16	17A17001	1	Relays Box Bracket			
17	51030010	4	Washer DIN 125-10			
18	53033010	3	Washer GROWER DIN 127-10			
19	52102309	2	Bolt DIN 933 M10-30 8.8			
20	6097A203	1	SM81 E. Wiring G.Earth Isolated			
21	17527018	1	Plate Glow Plug			
22	17A27017	6	Glow Plug 24V			
23	17527001.2	1	Starter Assy 24V			
24	17417024	1	Alternator 28V/55A			
25	17427007	1	Plate,Adjusting			
26	13827012	1	Bolt			
27	17331008	1	Washer			
28	17425036	2	Bolt,Flange			
29	52101326	1	Bolt DIN 931 M10-130 8.8			
30	17427002.5	1	Alternator Bracket, Earth Isolated			
31	17117011	2	Bracket Bakelite Bushing			






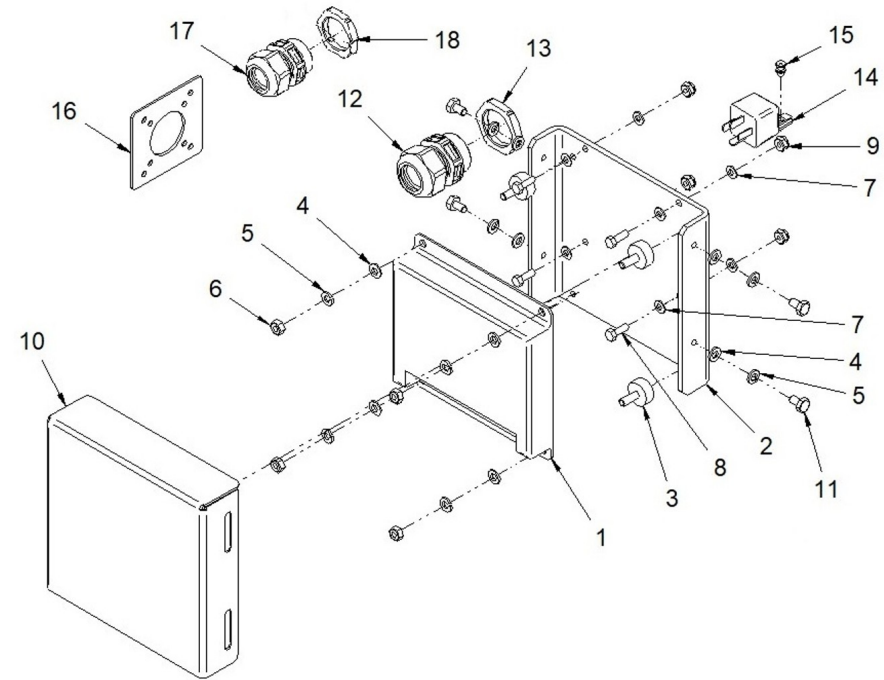
D SM81GTST 05 2 Electrical System 24V

Fig.	Ref.	Qty.	Descr.	Obs	From	UpTo
32	52120010	1	Nut DIN 934 M10 8.8			
33	17517010	1	Pulley			
34A	17425264.2	1	Solenoid 24V			
Figure A for Standard System						
34B	60972520	1	G.A.C. 175 Series 24V Integrated Actuat.			
Figure b for Parallel System						
NS	60900063	4	Insulator Cap Faston 6.3			
NS	TFH.1M.6.3.08	1	Straight Receptacle 1 Sec. Faston			











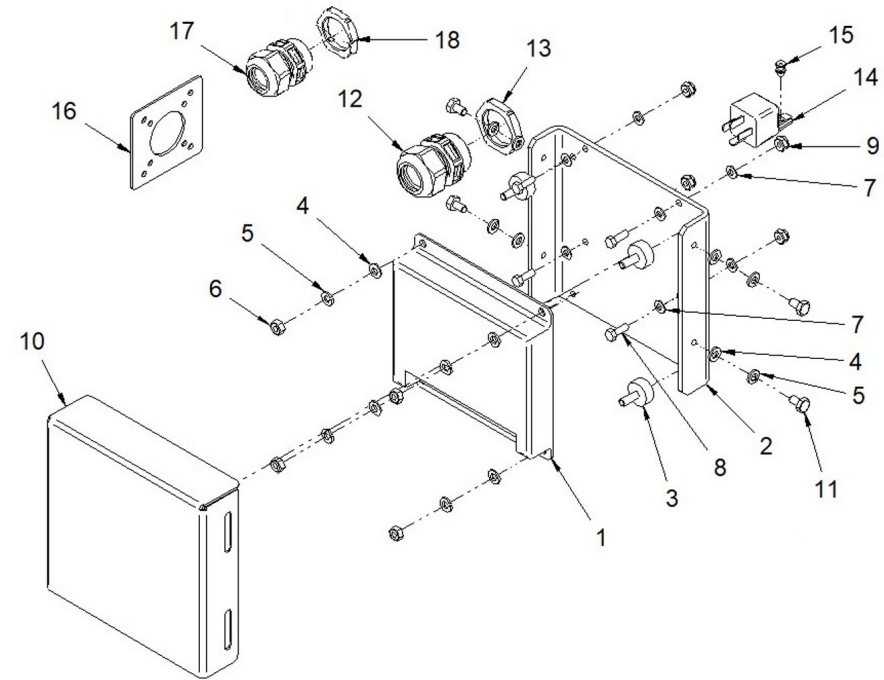
D SM81GTST 05 3 Parallel Electrical System 12V

Fig.	Ref.	Qty.	Descr.	Obs	From	UpTo
1	60972521	1	Speed Control Unit G.A.C. ESD-5500 Ser.			
2	17317007	1	Electronic Unit Bracket			
3	17A14009	4	Anti Vibration Mount M6			
4	51030006	8	Washer DIN 125-6			
5	53033006	8	Washer GROWER DIN 127-6			
6	52120006	4	Nut DIN 934 M6 8.8			
10	17317008	1	Parallel electronic unit cover			
11	52102154	2	Bolt DIN 933 M6-10 8.8			
12	60900310	1	Connector Press CAPTOR-2000 M32 RAL7001			
13	60900311	1	Screw Connector Press Captor-2000 M32			
14	63900028	1	Relay 12V 40/15A NO+NC with Diode			
15	51058054	1	Aluminium Rivet 4.0 X 10			
16	60573041.25G	1	Connector Adapter Parallel			
NS	60972517	1	Connector for actuator Packard type			
NS	60974205	1	35 GT/GTC Parallel Auxiliary Installation Mitsubishi			31/05/2023
NS	60974229	1	Auxiliary Installation Parallel Genset		01/06/2023	



D SM81GTST 05 4 Parallel Electrical System 24V

Fig.	Ref.	Qty.	Descr.	Obs	From	UpTo
1	60972521	1	Speed Control Unit G.A.C. ESD-5500 Ser.			
2	17317007	1	Electronic Unit Bracket			
3	17A14009	4	Anti Vibration Mount M6			
4	51030006	8	Washer DIN 125-6			
5	53033006	8	Washer GROWER DIN 127-6			
6	52120006	4	Nut DIN 934 M6 8.8			
10	17317008	1	Parallel electronic unit cover			
11	52102154	2	Bolt DIN 933 M6-10 8.8			
12	60900310	1	Connector Press CAPTOR-2000 M32 RAL7001			
13	60900311	1	Screw Connector Press Captor-2000 M32			
14	17417005.1	1	Relay 24V 24-22A			
15	51058054	1	Aluminium Rivet 4.0 X 10			
NS	60900088	1	TERMINAL Female SUPERSEAL			
NS	60900089	1	SUPERSEAL male terminal			
NS	60900322	1	2 female channel connector SUPERSEAL			
NS	60900323	1	2 male channel connector SUPERSEAL			
NS	60900330	1	SUPERSEAL yello rubber protection			
NS	60972517	2	Connector for actuator Packard type			
NS	60974205	1	35 GT/GTC Parallel Auxiliary Installation Mitsubishi			31/05/2023
NS	60974229	1	Auxiliary Installation Parallel Genset		01/06/2023	



Genset 68 GT/GTC & 84 GTA/GTAC

Electrical System

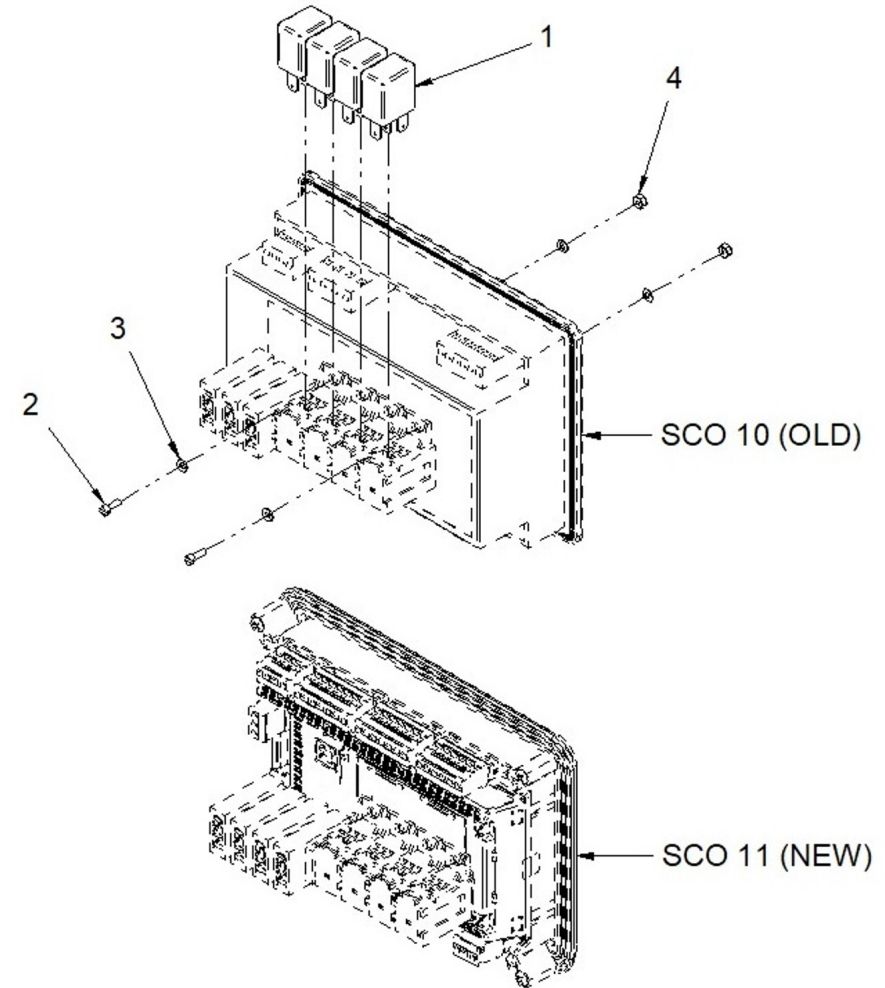
D SM81GTST 05 5 Panels for Genset

Fig.	Ref.	Qty.	Descr.	Obs	From	UpTo
1A	6097A400S	1	Panel SCO 10 68 GTC ETR 12V 400/230V			
1B	6097A400.2S	1	Panel SCO 10 68 GTC ETR 24V 400/230V			
1C	6097A230ST	1	Panel SCO 10 68 GTC ETR 12V 230V			
1D	6097A230ST.2	1	Panel SCO 10 68 GTC ETR 24V 230V			
1E	6097A400S.18	1	Panel SCO 10 84 GTAC ETR 12V 480/277V			
1F	6097A400.2S.18	1	Panel SCO 10 84 GTAC ETR 24V 480/277V			
1G	6097A240ST	1	Panel SCO 10 84 GTAC ETR 12V 240V			
1H	6097A240ST.2	1	Panel SCO 10 84 GTAC 240V 24V			
2A	6297A400S	1	Panel SCO 11 68 GTC ETR 12V 400/230V			
2B	6297A400.2S	1	Panel SCO 11 68 GTC ETR 24V 400/230V			
2C	6297A230ST	1	Panel SCO 11 68 GTC ETR 12V 230V			
2D	6297A230ST.2	1	Panel SCO 11 68 GTC ETR 24V 230V			
2E	6297A400S.18	1	Panel SCO 11 84 GTAC ETR 12V 480/277V			
2F	6297A400.2S.18	1	Panel SCO 11 84 GTAC ETR 24V 480/277V			
2G	6297A240ST	1	Panel SCO 11 84 GTAC ETR 12V 240V			
2H	6297A240ST.2	1	Panel SCO 11 84 GTAC 240V 24V			
2I	62975230S.2	1	Panel SCO 11 50 GSC ETS 24V 230V Start/Stop Button			



D PANELGRUPO1 01 Spare Parts List for Generator Panel

Fig.	Ref.	Qty.	Descr.	Obs	From	UpTo
1A	60900091	4	MICRO Relay 12V 12-20			
Figure A for 12V System						
1B	60900092	4	MICRO Relay 24V 24-10			
Figure b for 24V System						
2	54108003	2	Bolt DIN 84 M3-8 INOX.			
3	51030003	4	Washer DIN 125-3			
4	52120003	2	Nut DIN 934 M3 8.8			
NS	60972106	1	System Back Panel			
NS	60972124	1	SCO 10 Panel Screw Bracket			
NS	62900001	1	Rail Guide For Modular Micro Relay Holder - Fusible		31/03/2023	
NS	62972123	1	Electrical System Back Panel SCO 11			
NS	62972124	1	SCO 11 Pamel Screw Bracket			



D SM81GTST 05 7 Electrical Box for Parallel

<i>Fig.</i>	<i>Ref.</i>	<i>Qty.</i>	<i>Descr.</i>	<i>Obs</i>	<i>From</i>	<i>UpTo</i>
1A	6097A500	1	Kit Paral. 68 GT 400/230V Cont/Pow 12V			
1B	6097A503	1	Kit Paral. 68 GT 400/230V Cont/Pow 24V			
1C	6097A501	1	Kit Paral. 68 GT 230V Cont/Pow 12V			
1D	6097A502	1	Kit Paral. 68 GT 230V Cont/Pow 24V			
1E	60994410	1	Kit Paral. 84 GTA 480/277V Cont/Pow 12V			
1F	60994420	1	Kit Paral. 84 GTA 480/277V Cont/Pow 24V			
1G	60971584	1	Parallel KIT 84 GTA 240V Control And Power 12V			
1H	60971586	1	Parallel Kit 84 GTA 240V Control And Power 24V			



D WIC1 1 1 **Genset Extension**

<i>Fig.</i>	<i>Ref.</i>	<i>Qty.</i>	<i>Descr.</i>	<i>Obs</i>	<i>From</i>	<i>UpTo</i>
1A	60938210I	1	Genset Wiring Ext. 3 M. CPC			
1B	60985210I	1	Genset Wiring Ext. 4 M. CPC			
1C	60938221	1	Genset Wiring Ext. 6 M. CPC			
1D	60938212	1	Genset Wiring Ext. 8 M. CPC			
1E	60985210.12I	1	Genset Wiring Ext. 12 M. CPC			
1F	60985210.18I	1	Genset Wiring Ext. 18 M. CPC			
1G	60985210.24I	1	Genset Wiring Ext. 24 M. CPC			
1H	60985210.30I	1	Genset Wiring Ext. 30 M. CPC			
1I	60974552	1	3-way Wiring Wxtension for Auxilliary Kits 4 m			
1J	60900165	1	3-way Wiring Extension for Auxilliary Kits 6 m			
1K	60900166	1	3-way Wiring Extension for Auxilliary Kits 12 m			
1L	60900167	1	3-way Wiring Extension for Auxilliary Kits 24 m			
1M	60972104	1	Double Panel SCO 12 M. Harness			
1N	60972105	1	Double Panel SCO 24 M. Harness			
1O	60972110	1	Double Panel SCO 36 M. Harness			
1P	60972145	1	Double Panel SCO 45 M. Harness			



D WIC1 1 2 **Parallel Genset Extension**

<i>Fig.</i>	<i>Ref.</i>	<i>Qty.</i>	<i>Descr.</i>	<i>Obs</i>	<i>From</i>	<i>UpTo</i>
1A	6097A223	1	Wiring extensions Electronic Gov. Genset with SCO Pa		01/06/2023	
1B	6097A224	1	Wiring extensions Electronic Gov. Genset with SCO Pa		01/06/2023	
1C	6097A221	1	Wiring Extension for Parallel Control and Power Gens		01/06/2023	
1D	6097A222	1	Wiring Extension for Parallel Control and Power Gens		01/06/2023	
1E	60974221	1	Wiring Extension 25/35/50/68 GT 6 m Electronic Actua			31/05/2023
1F	60974219	1	Wiring Extension 25/35/50/68 GT 12 m Electronic Actua			31/05/2023
1G	60974206	1	Wir.Ext. 25/35/50/68 GT Prep. Paral.6M			31/05/2023
1H	60974207	1	Wir.Ext. 25/35/50/68 GT Prep. Paral.12M			31/05/2023



Genset 68 GT/GTC & 84 GTA/GTAC

Alternator Spare Parts

D SM81GTST 06 1

Alternators 68 GT/GTC AND 84 GTA/GTAC

<i>Fig.</i>	<i>Ref.</i>	<i>Qty.</i>	<i>Descr.</i>	<i>Obs</i>	<i>From</i>	<i>UpTo</i>
1A	605113075ZI2R	1	Alt.MECCALTE III 75KVA 400/230V C-Type (R)			
1B	605113075ZI3R	1	Alt. MECCALTE III 75 KVA 230V C-Type (R)			
1C	605113075PI2R	1	Alt.MECCALTE III 75KVA 400/230V C-Type Parallel (R)			
1D	605113075PI3R	1	Alt. MECC. III 75 KVA 230V C-Type Parallel (R)			
1E	605123090ZI4R	1	Alt. MECC.ALTE III 90KVA 1800 480/277 C-TYPE (R)			
1F	605123090ZI5R	1	Alt. MECCALTE III 90 KVA 240V C-Type (R)			
1G	605123090PI4R	1	Alt. MECC. III 90 KVA 480/277V C-Type Parallel (R)			
1H	605123090PI2R	1	Alt. MECC. III 90 KVA 240V C-Type Parallel (R)			
1I	605113075ZI1RCTC	1	Subst. Alt. MECC. Type B For Type C III 75KVA 150023			
1J	605113075ZI0RCTC	1	Subst. Alt. MECC. Type B For Type C III 75KVA 150040			
1K	605113075ZPI1RCTC	1	Subst. Alt. MECC. Type B For Type C III 75KVA 1500 2			
1L	605113075ZPI0RCTC	1	Subst. Alt. MECC. Type B For C III 75KVA 1500400/230			
1M	605123090ZI3RCTC	1	Subst. Alt. MECC. Type B For Type C III 90KVA 180023			
1N	605123090ZI2RCTC	1	Subst. Alt. MECC. Type B For Type C III 90KVA 1800 4			
1O	605123090PI3RCTC	1	Subst. Alt. MECC. Type B For C III 90KVA 1800RPM 240			
1P	605123090ZPI0RCTC	1	Subst. Alt. MECC. Type B For C III 90KVA 1800 480/27			

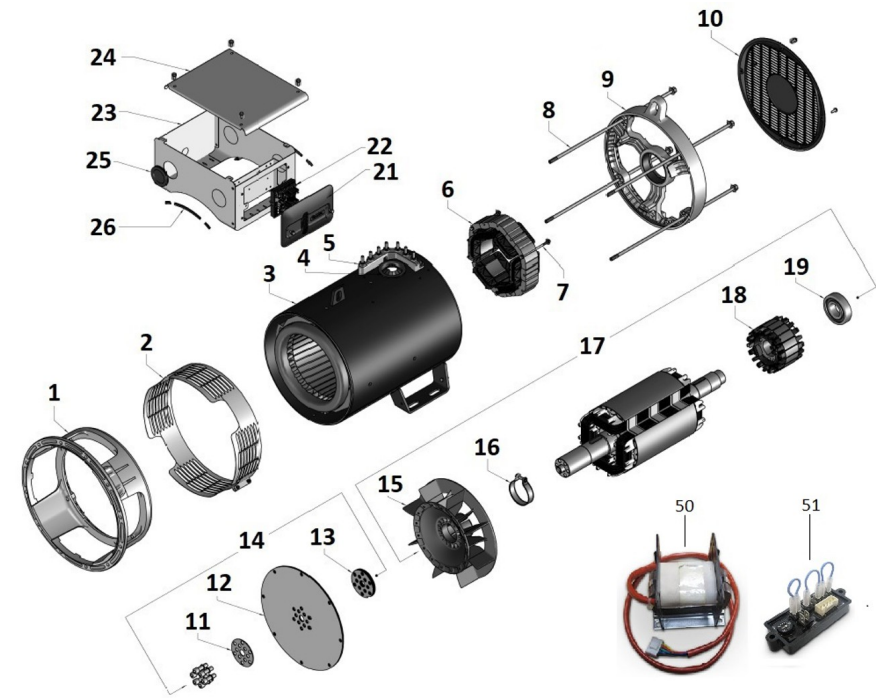


Genset 68 GT/GTC & 84 GTA/GTAC

Alternator Spare Parts

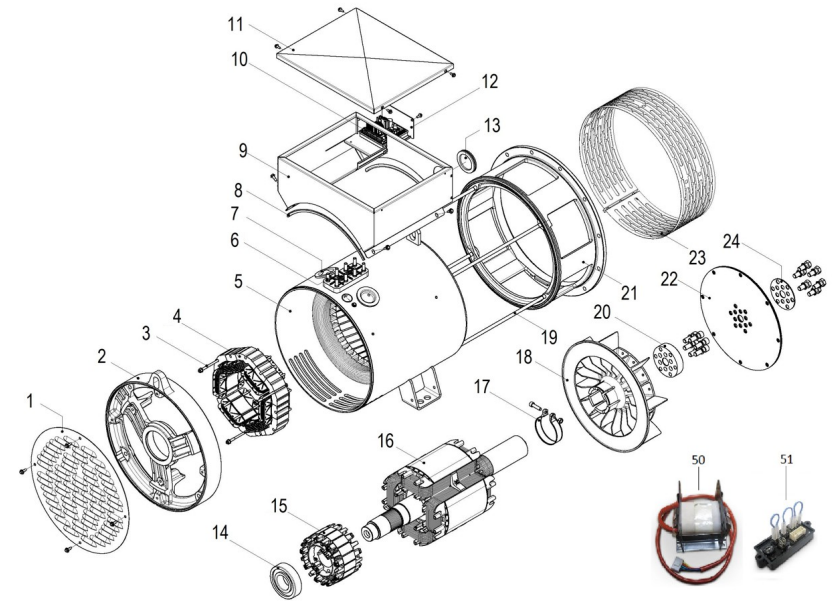
D SM81GTST 06 2 Spare Part List Alternator Type C

Fig.	Ref.	Qty.	Descr.	Obs	From	UpTo
1	605113050ZI6.1	1	Drive End Bracket			
2	605113050ZI6.2	1	Protection Screen			
3	605113050ZI6.3	1	Frame and Stator			
4	605113050ZI6.4	1	Cable Grommet diam. 70 mm			
5	605113050ZI6.5	1	Terminal Board 7 Pin M8			
6	605113050Z4.4	1	Exciter Stator H-45 6P			
7	605113050ZI6.6	1	Exciter Stay Bolt H-45			
8	605113050ZI6.7	1	Cover Stay Bolt			
9	605113050ZI6.8	1	Aluminium Non Drive End Bracket			
10	605113050ZI6.9	1	Rear Seal			
11	605113050Z4.23	1	Disc Bloking Ring-Spacer			
12	605113050ZI6.10	1	Disc SAE 11,5			
13	605113050Z4.19	1	Ring Spacer Vol. 8 - 10			
14	605113050Z4.21	1	Kit Coupling Disc Plates SAE 11,5			
15	605113050Z4.17	1	Plastic Fan			
16	605113050Z4.16	1	Clamp			
17	605113050ZI6.11	1	Rotor Assy			
18	605113050ZI6.12	1	Exciter Armature H-45 6P (+ Diodes T30)			
19	605113050Z4.13	1	Rear Bearing 6309-2RS C3			
21	M9909505310	1	Regulator Cap			
22	60500023.1	1	Electronic Regulator DSR			
23	M7510603373	1	Terminal Box			
24	M9903910114	1	Terminal Box Lid			
25	605113050Z4.12	1	Cable Grommet			
26	605113050Z4.8	1	PVC Rubber Profile			
50	60511386P	1	PD500 Parallel Device			
51	60511387P	1	PD-I Parallel Device			
NS	605113050Z4.25	1	Kit USB2DxR			
NS	60511315.1.11	1	Diode Bridge T30			



D SM81GTST 06 3 Spare Part List Alternator Type B Upto 29/12/2021

Fig.	Ref.	Qty.	Descr.	Obs	From	UpTo
1	605113075Z0.1	1	Rear seal			
2	605113075Z0.2	1	Non drive end bracket			
3	605113075Z0.3	1	Exciter stay bolt H-55 (L)			
4	605113075Z0.4	1	9910356051			
5	605113075Z0.5	1	Frame and stator 3L			
6	605113075Z0.6	1	Terminal board 8 pin			
7	605113075Z0.7	1	Cable grommet			
8	605113075Z0.8	1	PVC rubber profile			
9	605113075Z0.9	1	Terminal box			
10	60500023.1	1	Electronic Regulator DSR			
11	605113075Z0.10	1	Terminal box lid			
12	605113075Z0.11	1	Regulator holding panel			
13	605113075Z0.12	1	Cable grommet			
14	605113075Z0.13	1	Rear bearing 6309-2RS C3			
15	605113075Z0.14	1	Exciter armature H-55 6P			
16	605113075Z0.15	1	Rotor assy 3L, MD35			
17	605113075Z0.16	1	Clamp			
18	605113075Z0.17	1	Plastic fan			
19	605113075Z0.18	1	Cover stay bolt 32 L			
20	605113075Z0.19	1	Ring spacer vol. 8 - 10			
21	605113075Z0.20	1	Drive end bracket MD35/3			
22	605113075Z0.21	1	Kit coupling disc plates SAE 11,5			
23	605113075Z0.22	1	Protection screen MD35			
24	605113075Z0.23	1	Disc bloking ring-spacer			
50	60511386P	1	PD500 Parallel Device			
51	60511387P	1	PD-I Parallel Device			
NS	605113075Z0.24	1	Diode for exciter armature			
NS	605113075Z0.25	1	Kit terminal box (2+20+75b+98+178)			
NS	605113075Z0.26	1	Kit USB2DxR			

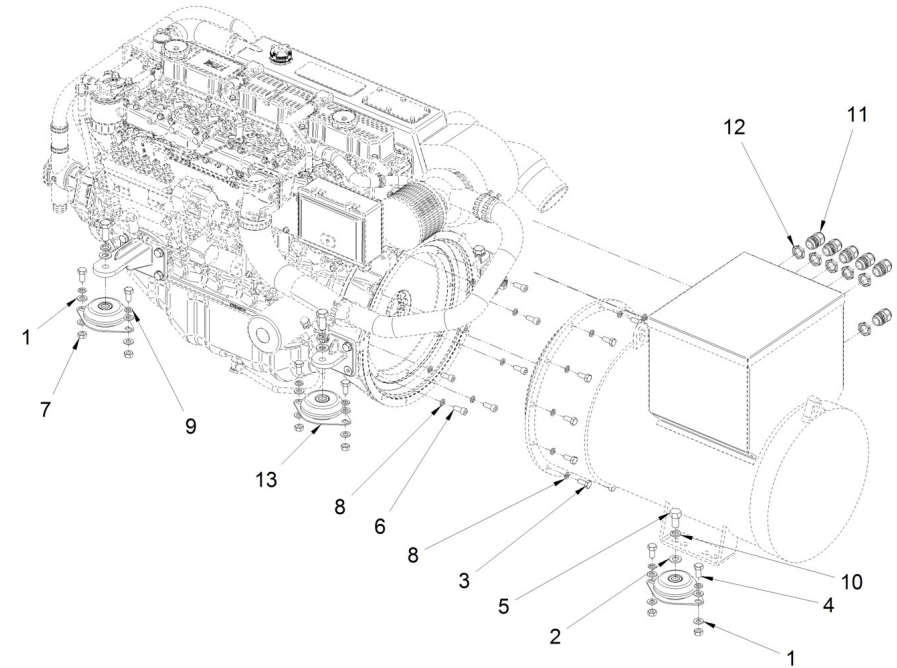


Genset 68 GT/GTC & 84 GTA/GTAC

Alternator Genset Kit

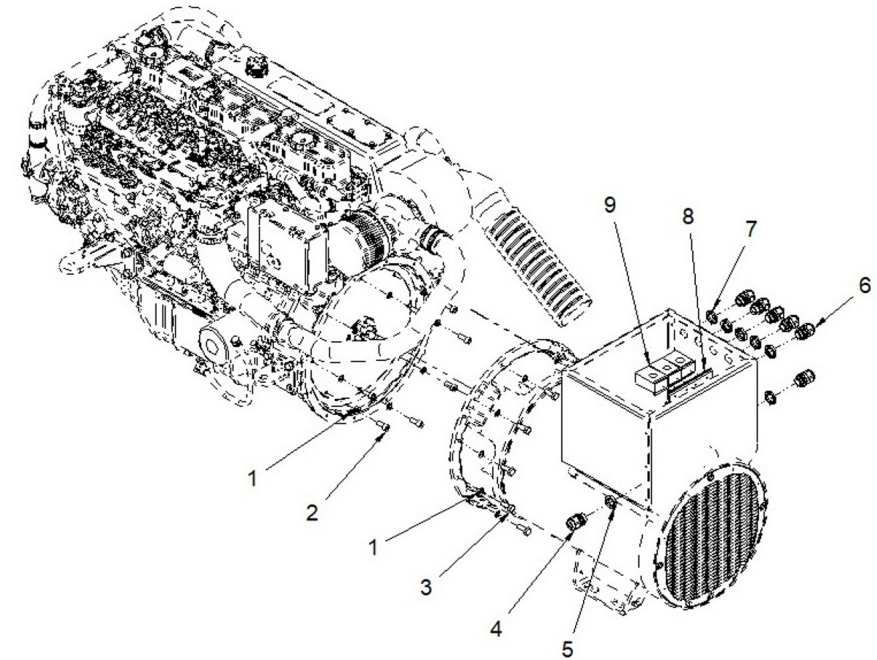
D 6057A105 Alternator Kit Without Canopy

<i>Fig.</i>	<i>Ref.</i>	<i>Qty.</i>	<i>Descr.</i>	<i>Obs</i>	<i>From</i>	<i>UpTo</i>
1	51030012	24	Washer DIN 125-12			
2	51030016	6	Washer DIN 125-16			
3	52102309	12	Bolt DIN 933 M10-30 8.8			
4	52102358	12	Bolt DIN 933 M12-25 8.8			
5	52102461	6	Bolt DIN 933 M16-40 8.8			
6	52103308	8	Bolt DIN 912 M10-25 8.8			
7	52120012	12	Nut DIN 934 M12 8.8			
8	53033010	20	Washer GROWER DIN 127-10			
9	53033012	12	Washer Grower DIN 127-12			
10	53033016C	6	Washer			
11	60900306	6	Connector Press CAPTOR-2000 M25 RAL7001			
12	60900309	6	Screw Connector Press Captor-2000 M25			
13	61674001	6	Engine Mount Type F 40 SHA M16 H 41			
13	61674007	6	Engine Mount Type F BRB 110 A40 SHA M16 H 41			



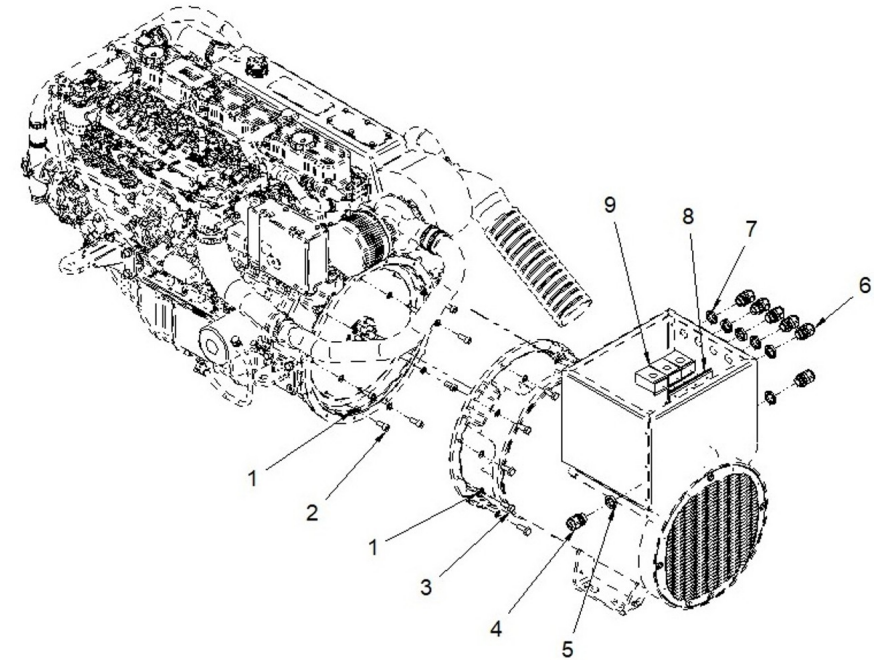
D 6057A061 Alternator Kit With Cabin (400/230V & 480/277V)

<i>Fig.</i>	<i>Ref.</i>	<i>Qty.</i>	<i>Descr.</i>	<i>Obs</i>	<i>From</i>	<i>UpTo</i>
1	53033010	20	Washer GROWER DIN 127-10			
2	52103308	8	Bolt DIN 912 M10-25 8.8			
3	52102309	12	Bolt DIN 933 M10-30 8.8			
4	60900304	1	Conector Press PA Grey IP68 M16			
5	60900307	1	Screw Connector Press PA Grey IP68 M16			
6	60900306	6	Connector Press CAPTOR-2000 M25 RAL7001			
7	60900309	6	Screw Connector Press Captor-2000 M25			
8	6097A165	1	Amperometric Transformer Bracket			
9	60972163.2	3	Amperometric transformer 100/5A			



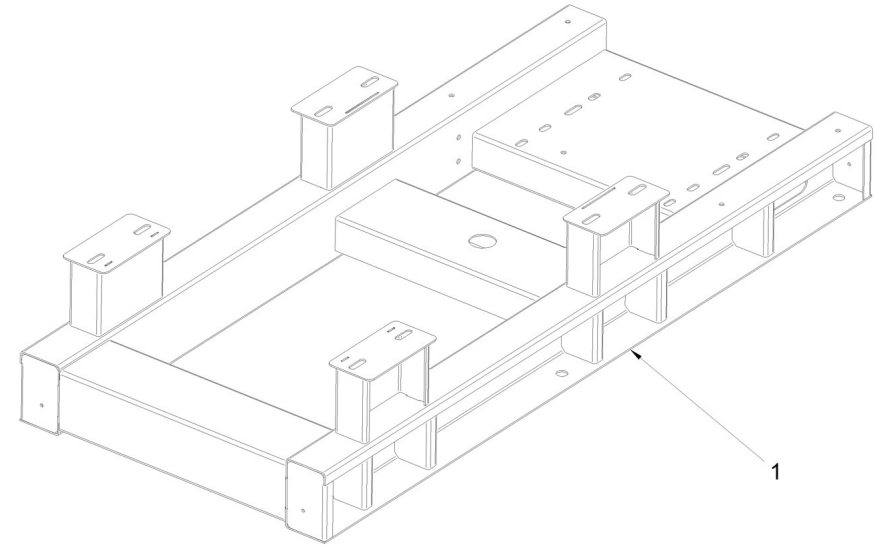
D 6057A063 Alternator Kit With Cabin (230V & 240V)

Fig.	Ref.	Qty.	Descr.	Obs	From	UpTo
1	53033010	20	Washer GROWER DIN 127-10			
2	52103308	8	Bolt DIN 912 M10-25 8.8			
3	52102309	12	Bolt DIN 933 M10-30 8.8			
4	60900304	1	Coneector Press PA Grey IP68 M16			
5	60900307	1	Screw Connector Press PA Grey IP68 M16			
6	60900306	6	Connector Press CAPTOR-2000 M25 RAL7001			
7	60900309	6	Screw Connector Press Captor-2000 M25			
8	6097A165	1	Amperometric Transformer Bracket			
9	60994161.2	3	Amperometric Transformer 200/5A			



D 6057A020 **SM-81 Engine Bed**

<i>Fig.</i>	<i>Ref.</i>	<i>Qty.</i>	<i>Descr.</i>	<i>Obs</i>	<i>From</i>	<i>UpTo</i>
1	6057A020	1	SM-81 Engine Bed			

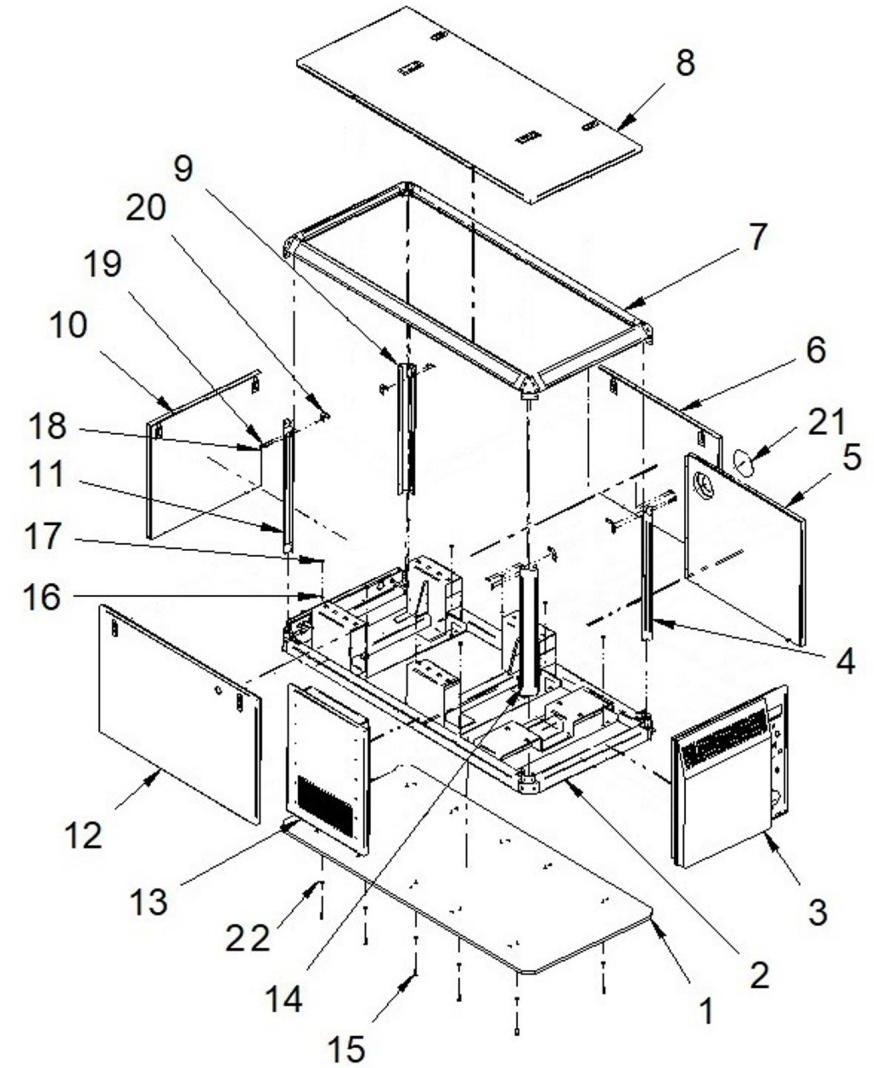


Genset 68 GT/GTC & 84 GTA/GTAC

Genset Spare Parts

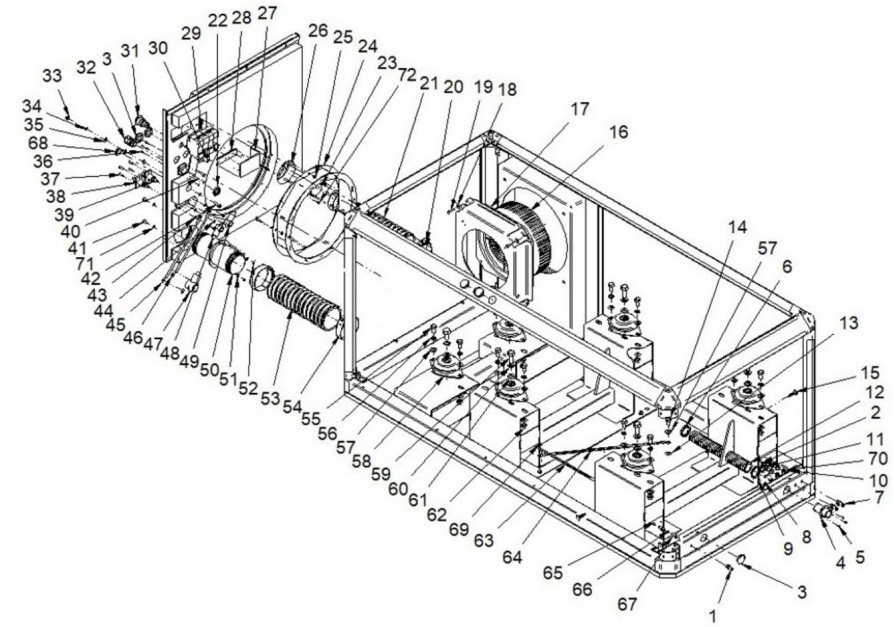
D SM81GTST 09 1 Canopy

Fig.	Ref.	Qty.	Descr.	Obs	From	UpTo
1	60575047.10	1	Baseboard			
2	60575047.61	1	Bottom Frame			
3	6057A041.25	1	Back Panel			
4	60575041.31	1	VERTICAL BAR			
5	6057A041.21A	1	Left Fixed Acoustic Wall Panel .			
6	6057A041.21B	1	Left Side Panel			
7	60575041.30	1	Upper FRAME			
8	60575041.20	1	Upper Panel			
9	60575041.32	1	VERTICAL BAR			
10	60575041.24	1	FrontAL Panel			
11	60575041.03	1	VERTICAL BAR			
12	60575041.22B	1	RIGHT Side Panel MOBILE			
13	6057A041.22A	1	Out Side Air Fixed Panel			
14	60575041.04	1	VERTICAL BAR			
15	52103258	10	Bolt DIN 912 M8-25 8.8			
16	53033008	9	Washer GROWER DIN 127-8			
17	52120008	10	Nut DIN 934 M8 8.8			
18	53105104	8	Bolt DIN 7991 M5-10 12.9			
18	53105105	8	Bolt DIN 965 M5-10 7n			
19	51058054	22	Aluminium Rivet 4.0 X 10			
20	60573041.43	4	L Fastening Bracket			
21	60594042.62	1	Dry Exhaust Cover			
22	51030008	19	Washer DIN 125-8			



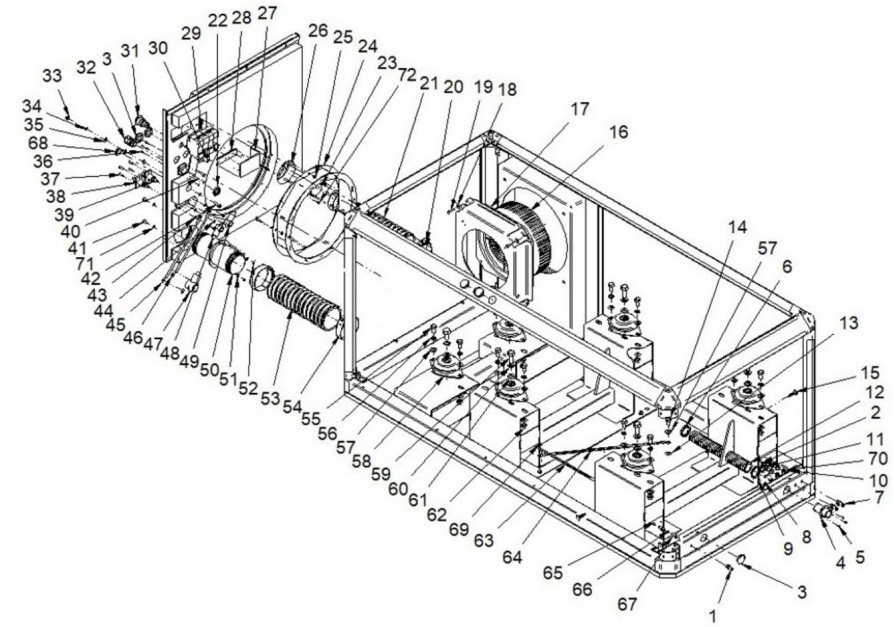
D SM81GTST 09 2 Canopy Kit

Fig.	Ref.	Qty.	Descr.	Obs	From	UpTo
1	13814072	2	Straight Hose Connector 1/8" NPTF			
2	M81511019	2.0	Fuel Hose D. 10-18			
3	60900508	5	Shutter 31			
4	60571015	1	Sea Water Wall PASS			
5	54118054	3	Bolt DIN 7985 M4-10 INOX			
6	51030016	6	Washer DIN 125-16			
6	54082025	2	Clamp DIN 3017 25-40/12 W4			
7	60594041.39	4	Gasoil Wall Bushing D12 MALE			
8	51058054	3	Aluminium Rivet 4.0 X 10			
9	52120004	3	Nut DIN 934 M4 8.8			
10	60594041.40	2	ROD Coupling 3/8 BSP			
11	51086018	4	ONE EAR Clamp With INTERIOR Ring 16-18,3			
12	M87503242	0.0	Water Intake Hose (HQ) D. 32-42			
13	53038012	1	Washer DIN 6798-A 12			
14	52102357	1	Bolt DIN 933 M12-20 8.8			
15	58018160	4	Screw			
16	6057A050	1	Centrifugal Fan PSB 230V			
17	6057A041.23B	1	Air Outlet Aluminium Sheet Box			
18	51031006	17	Washer DIN 9021 6			
19	52102159	4	Bolt DIN 933 M6-30 8.8			
20	54083063	3	GP Clamp 63-68 W4 STC		04/03/2024	
21	M88576300	1.0	Air Aspiration Hose D. 63		04/03/2024	
22	60900309	1	Screw Connector Press Captor-2000 M25			
23	60574043.47	1	Air Connection D.60			
24	60575041.25G	1	Spacer Ring			
25	51123006	4	Nut DIN 985 M6 5.6			
26	52102157	16	Bolt DIN 933 M6-20 8.8			
27	60574043.42	1	Switch Disconnecter Bracket			
28	6097A166	1	Amperometric transformer Bracket			
29	60994026	1	NSX250N + Control Unit 6.2			
30	60900511	1	Stop PUSH BOTTOM Body			



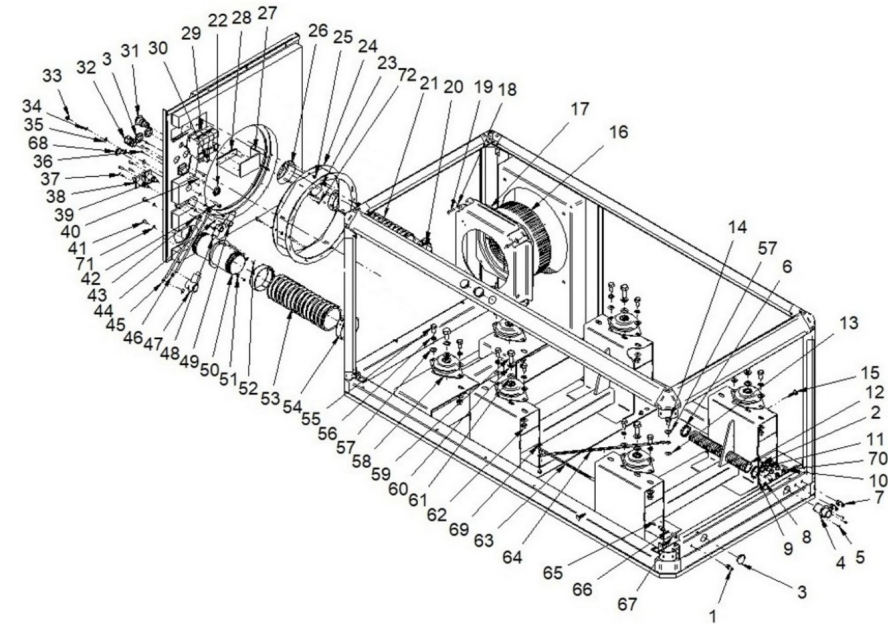
D SM81GTST 09 2 Canopy Kit

Fig.	Ref.	Qty.	Descr.	Obs	From	UpTo
31	60900510	1	Emergency Stop PUSH BOTTOM			
32	60900306	1	Connector Press CAPTOR-2000 M25 RAL7001			
33	54120008	2	Nut DIN 934 M8			
34	53038008	5	Washer DIN 6798-A 8			
35	54030008	3	Washer DIN 125-8 INOX.			
36	54118004	4	Bolt DIN 7985 M3-10 INOX			
37	54118106	4	Bolt DIN 7985 M5-16 INOX			
38	60573047	1	Battery Plug IN			
39	60573048	1	Battery Plug IN			
40	52120003	4	Nut DIN 934 M3 8.8			
41	54118156	2	Bolt DIN 7985 M6-16 INOX			
42	54103258	1	Bolt DIN 912 M8-25 INOX.			
43	51030005	4	Washer DIN 125-5			
44	52120005	4	Nut DIN 934 M5 8.8			
45	60975003	1	Negative Black Battery Wiring Sec. 50 mm - 2 m			
46	60971037	1	Positive Battery Red Wiring Sec. 50 mm - 1.5 m			
47	60994045	1	Ter. Protective 32 Red			
48	60972091	1	TER. PROTECTIVE 20 BLACK			
49	60972090	1	TER. PROTECTIVE 20 RED			
50	60594028	1	Exhaust Wall PASS D90			
51	53033006	2	Washer GROWER DIN 127-6			
52	54120006	2	Nut DIN 934 M6 INOX			
53	M885090102	1.0	Exhaust Hose D. 90			
54	54086097	2	GP Clamp 97-104 W4 STC			
55	52102358	12	Bolt DIN 933 M12-25 8.8			
56	53033012	12	Washer Grower DIN 127-12			
57	51030012	25	Washer DIN 125-12			
58	61674001	6	Engine Mount Type F 40 SHA M16 H 41			
58	61674007	6	Engine Mount Type F BRB 110 A40 SHA M16 H 41			
59	52102461	6	Bolt DIN 933 M16-40 8.8			
60	53033016C	6	Washer			



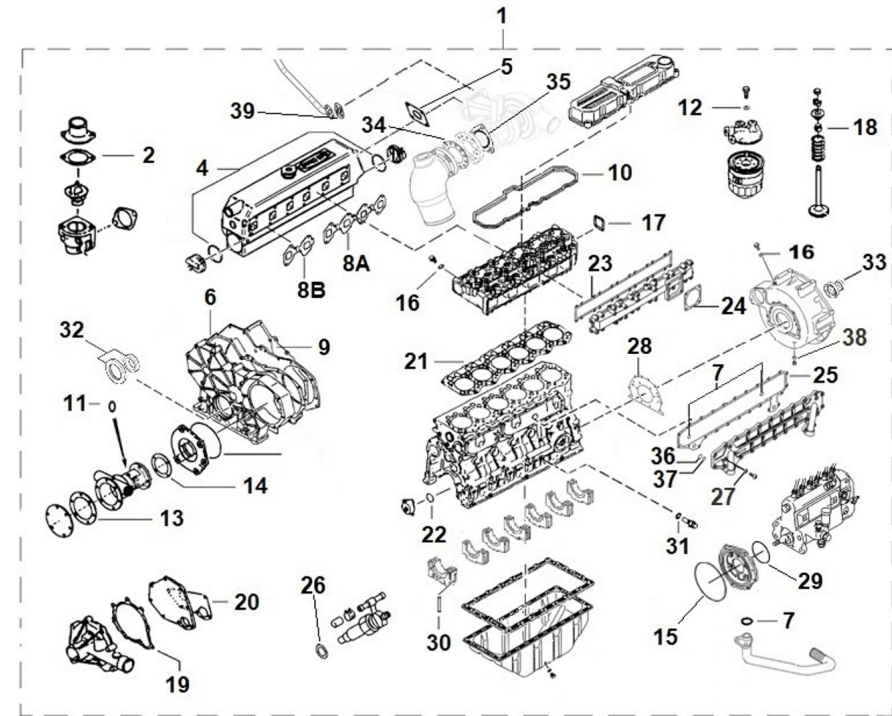
D SM81GTST 09 2 Canopy Kit

Fig.	Ref.	Qty.	Descr.	Obs	From	UpTo
62	52120012	12	Nut DIN 934 M12 8.8			
63	60975074	1	Panel Back 0,66 M. Wiring GROUND ALT.			
64	60975073	1	CHASSIS 0,5 M. TO MOTOR Wiring GROUND			
65	M80501006	1.0	Hose D.10-6			
66	57000361	1	Washer 10-14-1,5			
67	60573041.39	1	ROD Coupling 1/8 BSP			
68	60900502	1	Shutter 27			
69	51030008	4	Washer DIN 125-8			
70	57000375	2	Washer 17-22-1,5			
71	54030006	2	Washer DIN 125-6 INOX.			
72	53033005	7	Washer GROWER DIN 127-5			
NS	17810011	1	PIPE JOIN			
NS	52102256	1	Bolt DIN 933 M8-16 8.8			
NS	53038010	1	Washer DIN 6798-A 10			
NS	58088281	1	Pastic Cable Zip Tie			
NS	58088282	3	Pastic Cable Zip Tie			
NS	58088283	2	Pastic Cable Zip Tie			
NS	58088284	15	Pastic Cable Zip Tie			
NS	60972162M.4	1	Current Transformer Sing.Ph. Cable 4 M.			
NS	60974074M	1	"V" Brown Breaker to Alt. System			
NS	60974074N	1	"U" Black Breaker to Alt. System			
NS	60974076	1	Kit Fan Installation			
NS	CA.1.0.AM	0.0	CABLE SEC.1.0 YELLOW			
NS	CA.1.5.AZ	0.0	CABLE SEC.1.5 BLUE			
NS	CA.1.5.M	0.0	CABLE SEC.1.5 BROWN			
NS	CAP.FLEXI0048	1	Rubber Cap D. 4.8 X 13			
NS	CAP.FLEXI0111	2	Rubber Cap D. 11,1x19,1			
NS	M81101013	0.0	Tube D. 10			



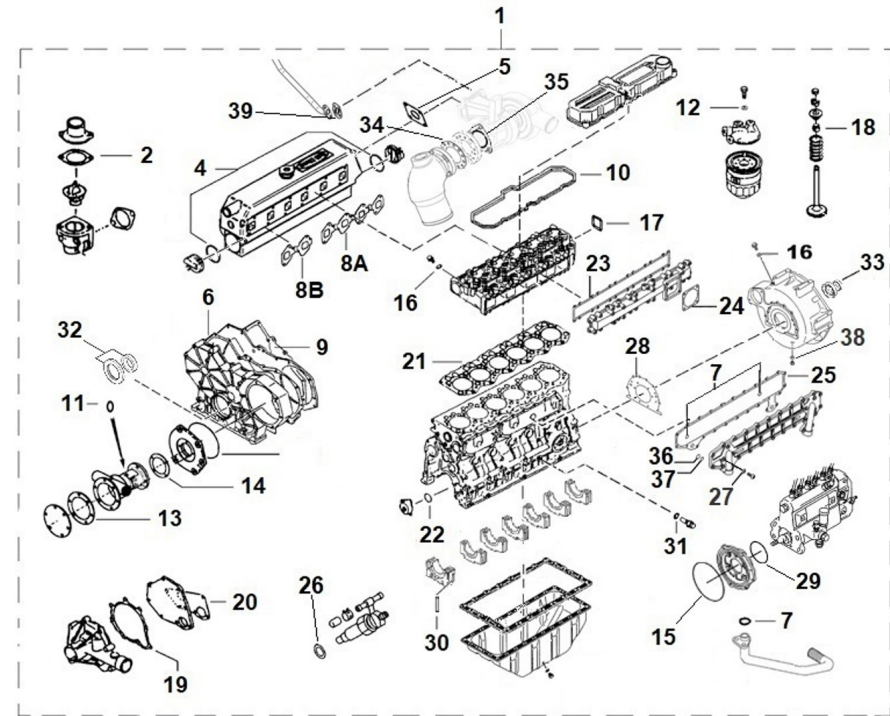
D 17A20101 Gasket Kit

Fig.	Ref.	Qty.	Descr.	Obs	From	UpTo
1	17A20101	1	Gasket Kit SM-81			
2	17111021	2	Gasket			
4	18011008	2	O-Ring D. 72X3			
5	17A13002	1	Exhaust Gasket			
6	17420040	1	Gasket,Gear			
7	17424060	3	O-Ring D. 22X2,4			
8A	17421035	1	Gasket,Exhaust Manifold			
8B	17521035	1	Gasket			
9	17420018	1	Gasket,Front Plate			
10	17521010	1	Gasket,Rocker Cover			
11	33311013	1	O-Ring D. 15X2			
12	13125025	1	Washer			
13	34711003	1	Gasket Cover			
14	13310013	1	Gasket,water pump			
15	17420047	2	O-Ring D. 140X2			
16	17121013	2	Gasket			
17	17421011	1	Gasket			
18	17422054	12	Seal,Valve Stem			21/01/2020
19	17421022	1	Gasket,Pump Cover			
20	17421041	1	Gasket,Side Cover			
21	17521004	1	Cylinder Head Gasket			
22	17424055	1	O-Ring D. 60X2			
23	17521032	1	Gasket,IN.MANIFOLD			
24	17421042	1	Gasket			
25	17524035	1	Gasket,Oil Cooler			
26	17024013	6	Gasket Nozzle			
27	17524007	6	Gasket			
28	17420025	1	Gasket,Rear			
29	17520075	1	O-Ring D. 75X25			
30	17420112	2	Seal,Valve			
31	17424008	10	Washer,SealING			



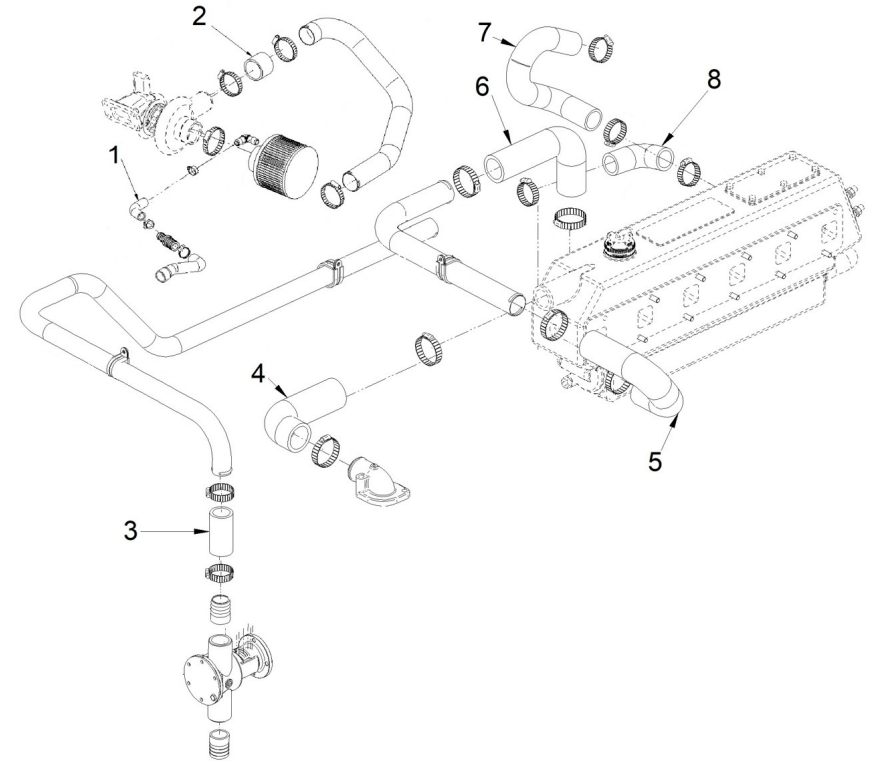
D 17A20101 Gasket Kit

Fig.	Ref.	Qty.	Descr.	Obs	From	UpTo
32A	17420039	1	Oil Seal			
32B	17420039.1	1	Seal Assy,Oil			
33	13320063	1	Seal Oil			
34	16513016	1	Exhaust Elbow Gasket			
35	17A21014	1	Turbo Gasket			
36	17520017	2	O-Ring D. 30X3,4			
37	17520072	2	O-Ring D. 42X3,4			
38	56000077	1	Washer 18-23-1,5			
39	17524091	1	Gasket,Oil Pipe			



17A11100 Pipe Rubber Set,Water Line SM-81

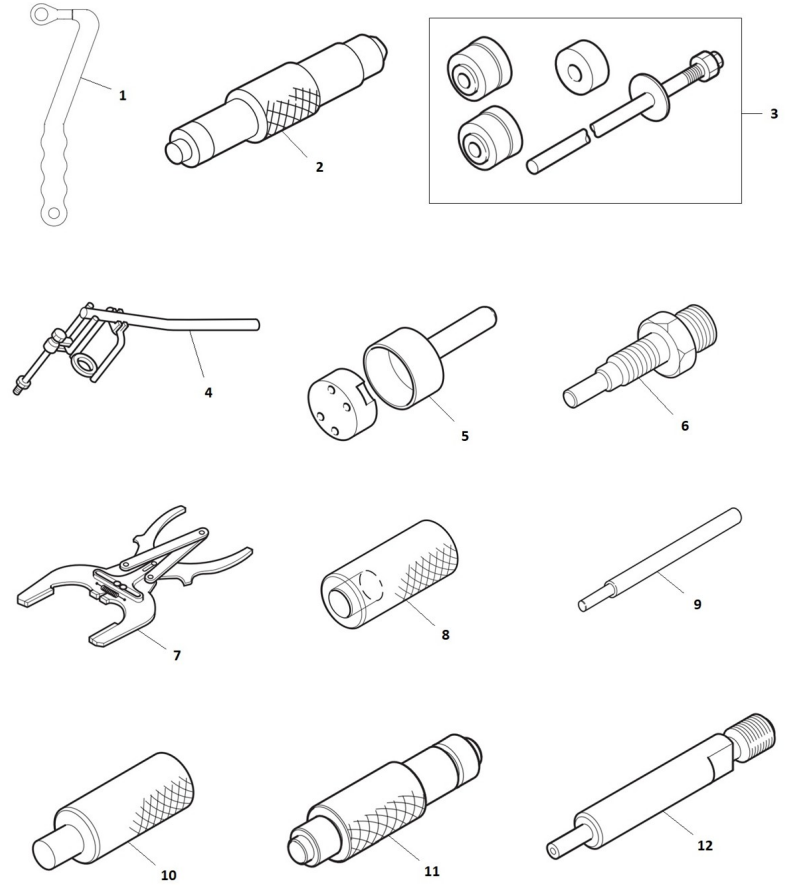
Fig.	Ref.	Qty.	Descr.	Obs	From	UpTo
1	17A10008	1	Eng. Exit Breather Hose			
2	17A10034	1	Silicone Hose Straight D50 L65			
3	13611038	1	Pipe 30-40-75			
4	17411013	1	Thermostat Water Outlet Elbow			
5	16711016	1	Rubber Elbow			
6	17511013	1	Elbow			
7	17811034	1	Rubber Wet Exhaust Inlet Bend			
8	17411035	1	Elbow Rubber			



D UTILFA0971 1

Special Tools

Fig.	Ref.	Qty.	Descr.	Obs	From	UpTo
1	13811063	1	Refrigerator Mounting Key			
2	U3009107300	1	Idler Bushing Installer			
3	U3069100010	1	Camshaft Bushing Installer Set			
4	U3069104500	1	Valve Spring Pusher			
5	U3069113010	1	Oil seal sleeve installer set			
6	U3069121100	1	Gauge Adapter			
7	UMM74007	1	Piston Ring Pliers			
8	U32A9100100	1	Valve Guide Installer			
9	U32A9100300	1	Valve Guide Remover			
10	U32A9100400	1	Oil Pump Bushing Installer			
11	U32A9100500	1	Connecting rod bushing puller			
12	U32A9101100	1	Gauge adapter (direct injection)			



D UTILFA0971 2 Special Tools

<i>Fig.</i>	<i>Ref.</i>	<i>Qty.</i>	<i>Descr.</i>	<i>Obs</i>	<i>From</i>	<i>UpTo</i>
14	19440400.2	1	Compression Manometer 10-60 Bar			
15	U3449100200	1	Piston Installer			
16	U3449103020	1	Valve Sheet Insert Caulking Tool			
17	U3679100200	1	Valve Sheet Insert Caulking Tool			
18	UMH061077	1	Idler Shaft Puller			

