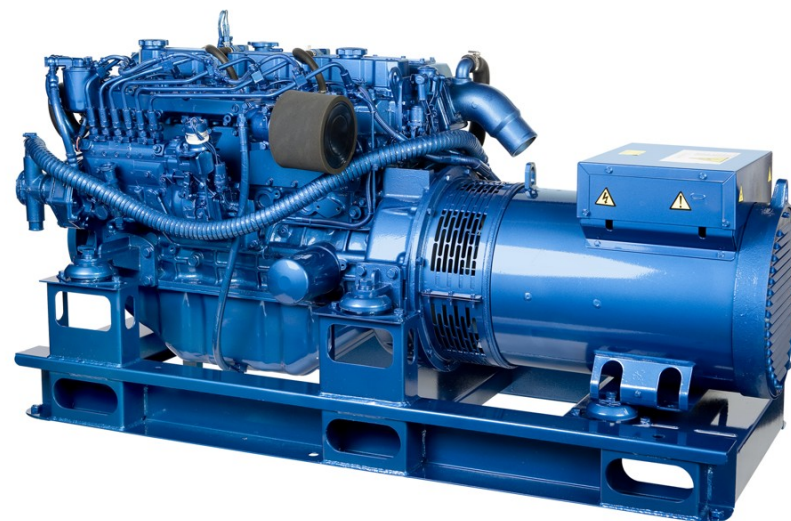




Genset 50 GT/GTC & 60 GTA/GTAC

VERSION 2024-5

PART LIST



PARTS LIST CATALOGUE

NORMS TO PLACE AN ORDER

For fast and more efficient service, please specify the following information on spare parts orders that must be preferably done by e-mail as specified below:

- 1- Engine model: As shown in identification plate
- 2- Engine serial number: As shown in identification plate and stamped on crankcase
- 3- Item description + part number + quantity required

Spare parts requests must be addressed to :

orders@solediesel.com

Telf.: +34 93 775 44 05

The components shown in the catalog have:

- Figure: Number by which they are represented in scheme
- Description: Trade name of the component
- Quantity: Total number of parts used in the assembly of the part represented (may differ from the total minimum quantities)

Hoses, indicates the total length in meters

The diagrams shown in this catalog of spare parts, have only the purpose to identify the piece in question, its representation is not meaningful and may differ from the actual piece.

In case of doubt, contact Solé Diesel, or your authorized dealer.

The parts i / or references in this catalog are subject to change without notice.

SOLE, S.A.

C-243b, km, 2

08760 Martorell (Barcelona) Spain

Index

Engine Body

- Cylinder Head
- Rocker Cover & Breather
- Valve Drive
- Timing Parts
- Gear Case
- Crankcase
- Flywheel Housing
- Piston & Connecting Rod
- Crankshaft & Flywheel
- Oil System
- Oil Pan
- Engine Brackets

Inlet & Exhaust

- Inlet

Cooling System

- Water Pump
- Cooler Pipes
- Water Cooler Assy SM-105
- Body, Water Cooler and Neck
- Wet Exhaust
- Cross Brace Pump from 74 to 616

Fuel System

- Fuel Pipe
- Injection Nozzle
- Fuel Injection Pump Parts
- Governor Parts
- Parallel Governor
- Fuel Filter
- Feed Pump

Electrical System

- Electrical System 12V
- Electrical System 24V
- Parallel Electrical System 12V
- Parallel Electrical System 24V
- Panels for Genset
- Spare Parts List for Generator Panel
- Electrical Box for Parallel
- Genset Extension
- Parallel Genset Extension

Genset Alternator Spare Parts

- Alternator 50 GT/GTC & 60 GTA/GTAC
- Alternator Spare Parts TYPE C From 30/12/2021
- Spare Part List Alternator Type B Upto 29/12/2021

- Kit Alt. MECC ALTE Tri. (S)
- Kit Alt. MECC ALTE Tri. (C)

Chassis Spare Parts

- Genset Chassis
- SM-81 Engine Bed

Canopy Spare Parts

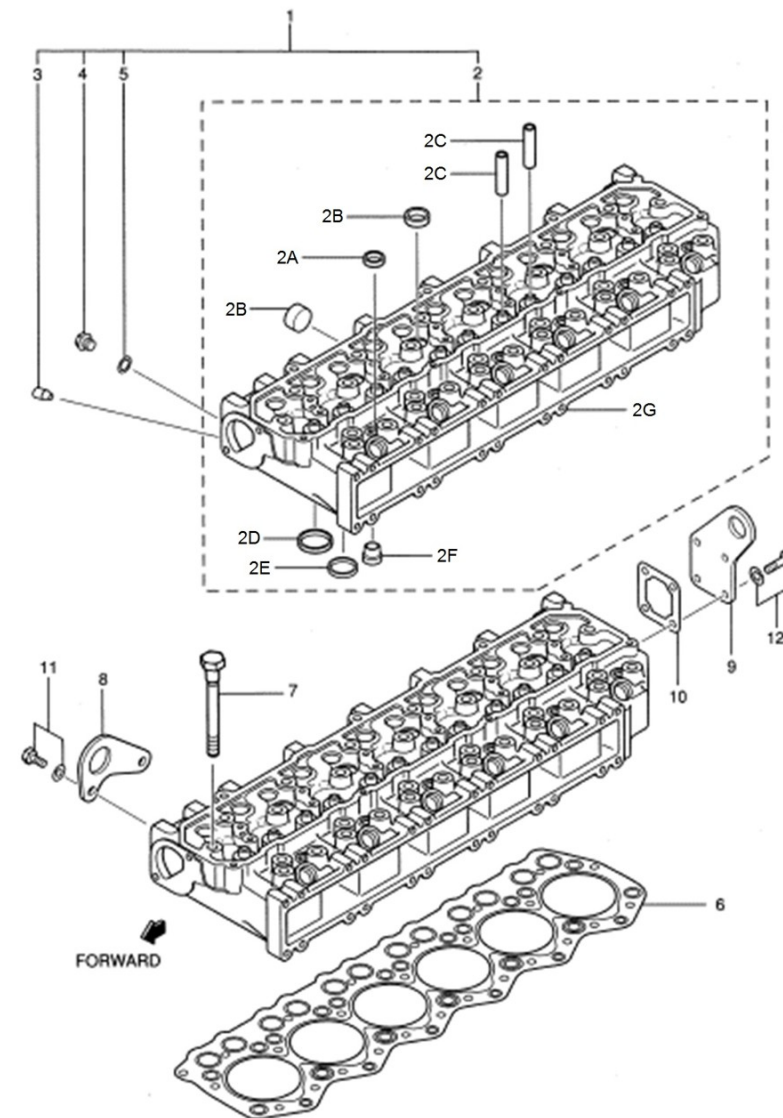
- Cabin
- Cabin Kit

Maintenance Kit

- Gasket Kit
- Pipe Rubber Set SM-105 Genset
- Repair Kit Water Pump 1"
- Special Tools
- Special Tools

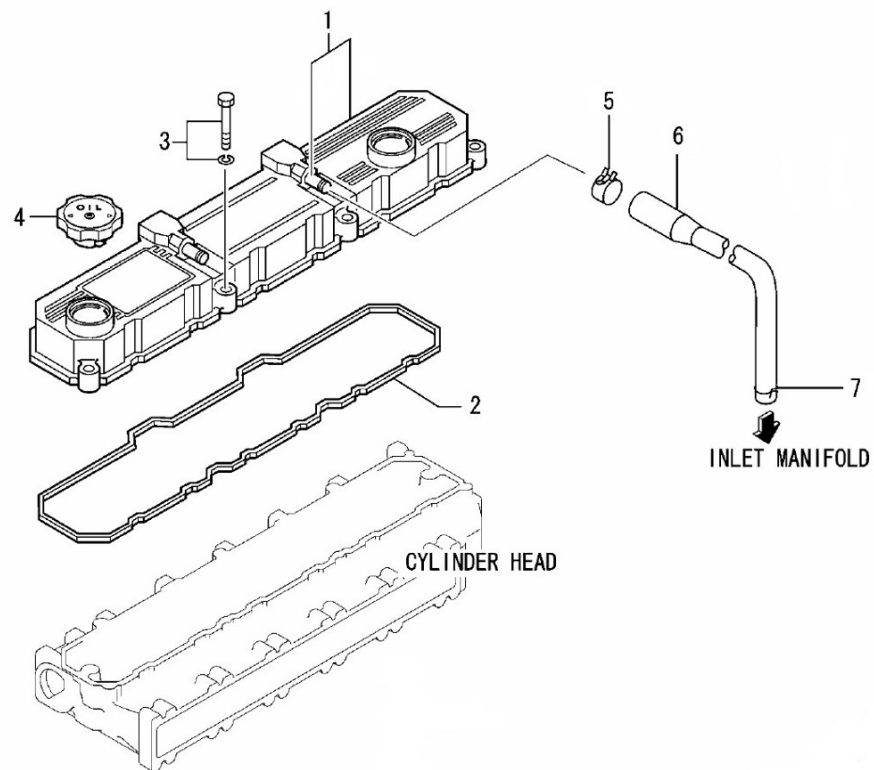
D_GH02_1_1 Cylinder Head

Fig.	Ref.	Qty.	Descr.	Obs	From	UpTo
1	17521001	1	Head Assy,Cylinder			
2A	17220006	12	Cap, Sealing			
2B	13220012	1	Cap Sealing			
2C	17421002	12	Guide,Valve			
2D	17421061	6	Seat,Valve,IN			
2E	17421062	6	Seat,Valve,Exhaust			
2F	17421015	6	JET,COMBUSTION			
2G	(*1)	1	Not available			
3	(*)	1	Not available			
4A	17427080	1	Switch,Thermo			
Figure A for Standard System						
4B	60900973	1	High Coolant, 2 Poles 95° SG			
Figure b for Parallel System						
5	17121013	1	Gasket			
6	17521004	1	Cylinder Head Gasket			
7	17421005	25	Bolt,cylinder head			
8	17420014	1	Eye,Lifting,Front			
9	17421018	1	Eye,Lifting;Head Rea			
10	17421011	1	Gasket			
11	13820043	2	Bolt,W/Washer			
12	17121012	4	Bolt, w/washer			



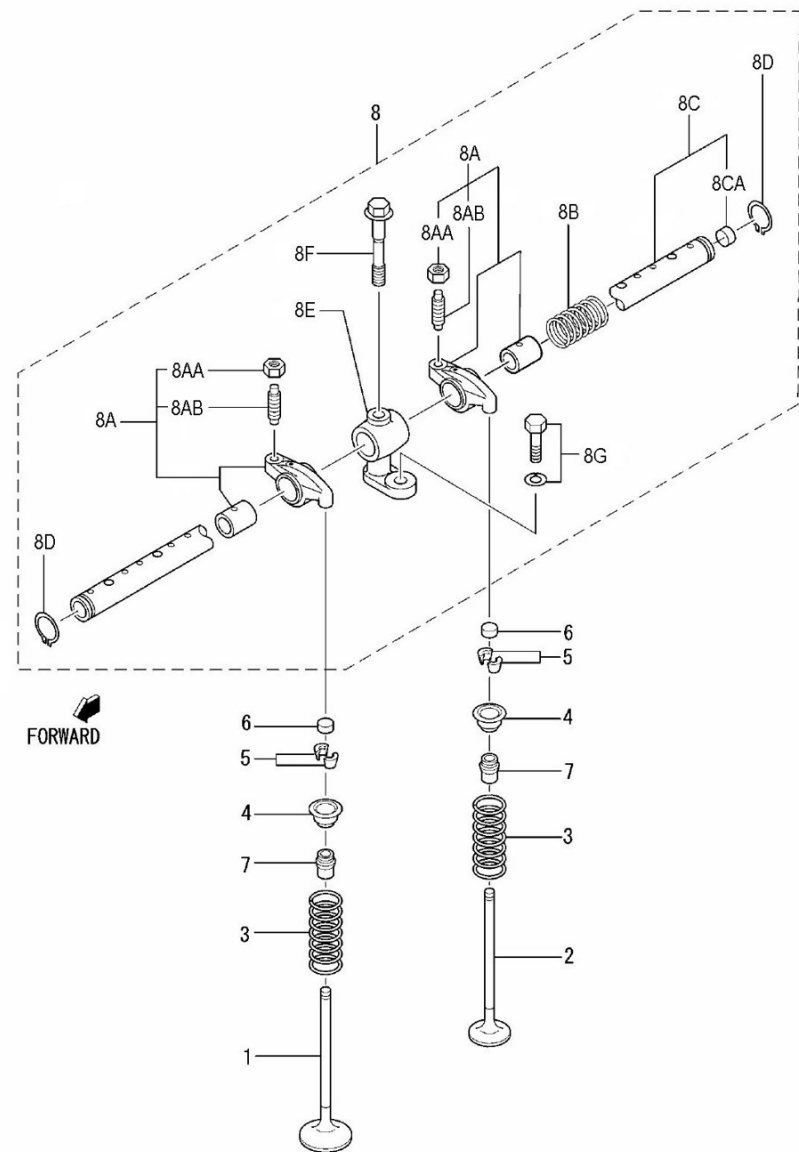
D_MI10_1_2 Rocker Cover & Breather

Fig.	Ref.	Qty.	Descr.	Obs	From	UpTo
1	17521009	1	Cover Assy,Rocker			30/07/2010
1	17521011	1	Cover Assy,Rocker		30/07/2010	
2	17521010	1	Gasket,Rocker Cover			
3A	52101261	7	Bolt DIN 931 M8-40 8.8			
3B	53033008	7	Washer GROWER DIN 127-8			
4	13221003	2	Cap Oil FILLER			
5	17521007	2	Clip,Hose			
6	17521006	2	Hose,BREATHER			
7	17521007.1	2	Clamp,Hose			



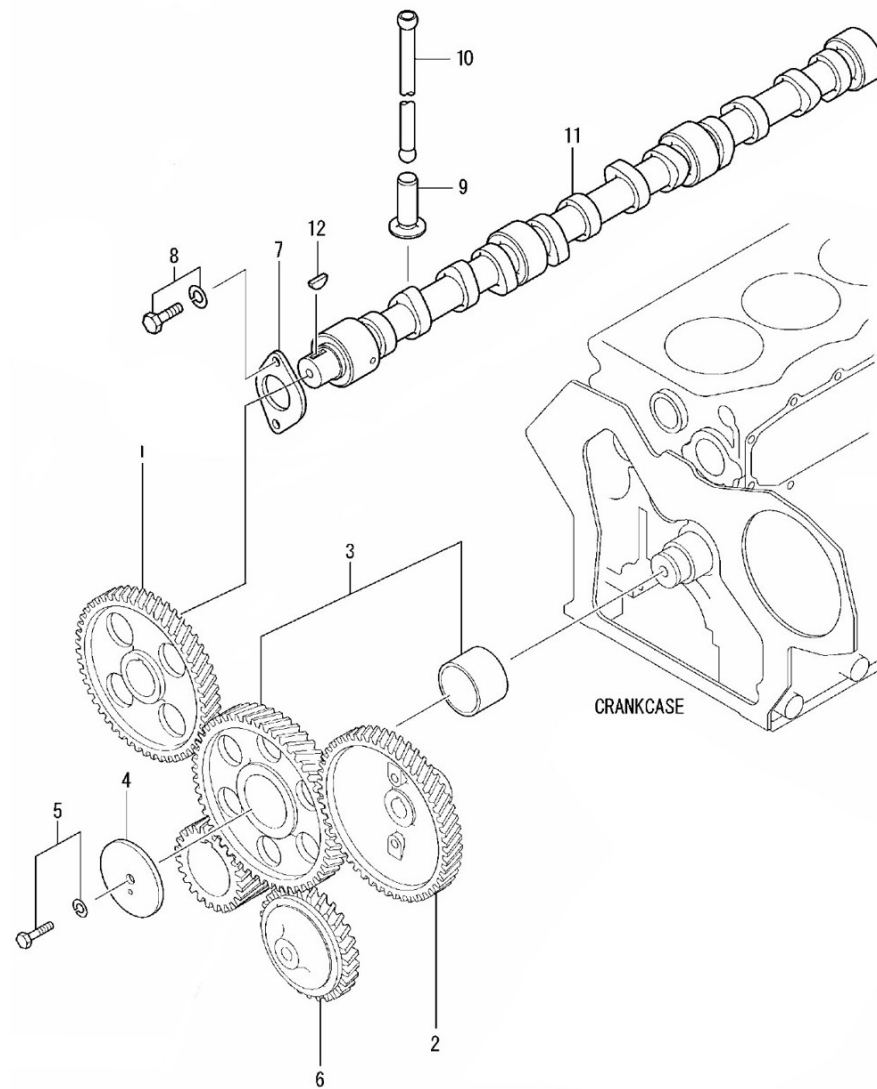
D_MI10_1_3 **Valve Drive**

Fig.	Ref.	Qty.	Descr.	Obs	From	UpTo
1	17422055.1	6	Valve,Inlet			
2	17422056	6	Exhaust Valve			
3	13322028	12	Spring, valve outler			
4	17422058	12	Retainer,Upper			
5	17122059.1	24	Cotter,Valve			
6	13322024	12	Cap			
7	17422054	12	Seal,Valve Stem			
8	(*)	1	Not available			
8A	17422142.1	12	Rocker Assy			
8AA	17122060	12	Nut			
8AB	17122044	12	Screw Adjusting			
8B	17422047G.1	5	Spring,Rocker			
8C	17522146	1	Shaft,Assy,Rocker			
8D	53040019	2	CIRClip DIN 471 E-19			
8E	17422048	6	Bracket,Rocker Shaft			
8F	17422053	6	Bolt,Rocker Bracket			
8G	17122051	6	Bolt, w/washer			

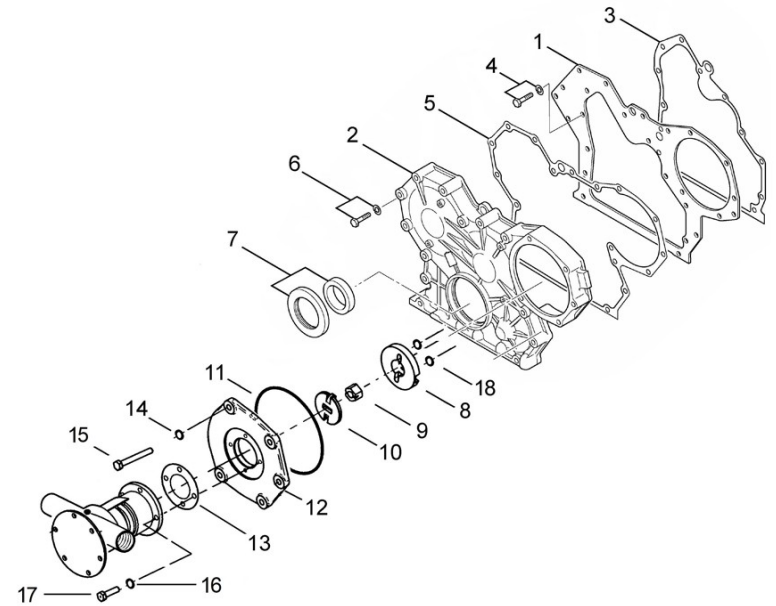


D_GH02_1_4 Timing Parts

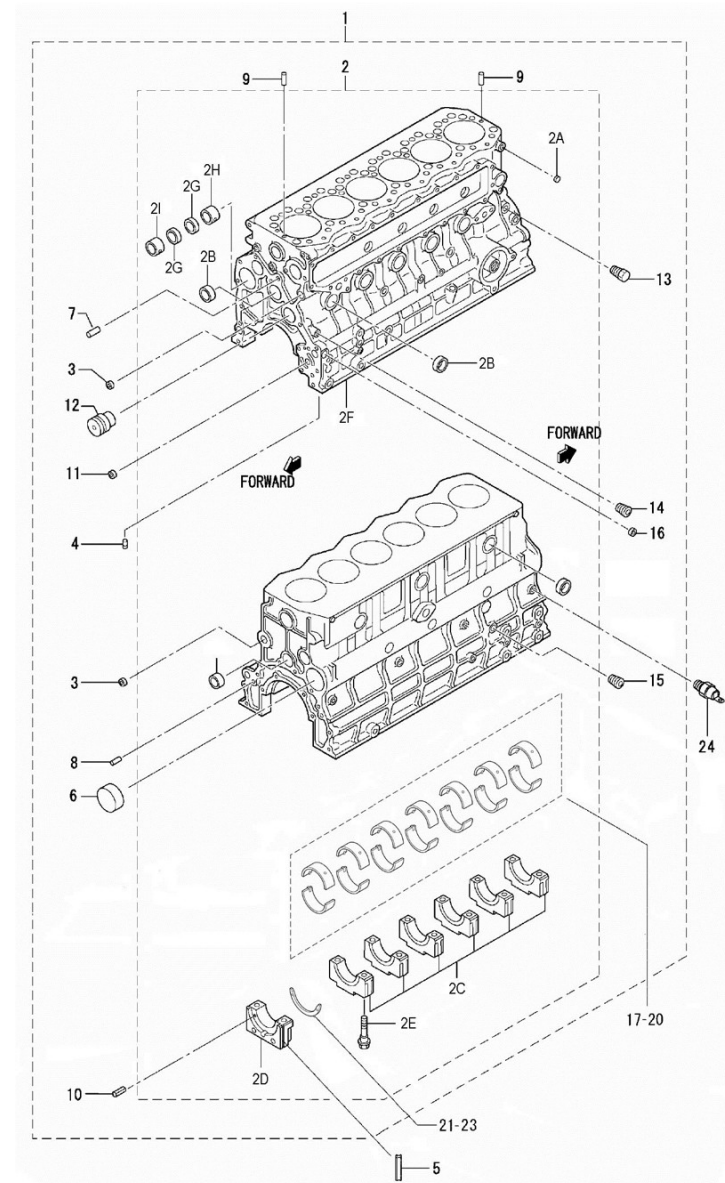
Fig.	Ref.	Qty.	Descr.	Obs	From	UpTo
1	17422037	1	Gear,CamShaft Z=46			
2	17422040	1	Gear,INJ.Pump Z=46			
3	17422038	1	Gear,IDLER Assy Z=49			
4	17122032	1	Plate, thrust			
5	13322079	1	Bolt			
6	17422066	1	Gear,Oil Pump Z=31			
7	17522075	1	Plate,Thrust			
8	13820043	2	Bolt,W/Washer			
9	17122061	12	Tappet			
10	17122041	12	Rod, push			
11	17522035	1	CamShaft			
12	13322034	1	Key Woodruff			



D_MI74_1_5		Gear Case				
Fig.	Ref.	Qty.	Descr.	Obs	From	UpTo
1	17420024	1	Plate, Front			
2	17420035	1	Case Gear			
3	17420018	1	Gasket,Front Plate			
4	13820043	5	Bolt,W/Washer			
5	17420040	1	Gasket,Gear			
6	17120047	13	Bolt, w/washer			
7	17420039.1	1	Seal Assy,Oil			
8	17411026	1	Coupling Drive			
9	17422071	1	Nut,INJ.Pump			
10	15310072	1	CrossHead Jaw Coupling			
11	17420047	1	O-Ring D. 140X2			
12	17410010	1	Block Water Pump			
13	13310013	1	Gasket,water pump			
14	53038008	5	Washer DIN 6798-A 8			
15	52101266	5	Bolt DIN 931 M8-65 8.8			
16	51030006	4	Washer DIN 125-6			
17	52103156	4	Bolt DIN 912 M6-16 8.8			
18	53104255	2	Bolt DIN 7984 M8-12 10.9			

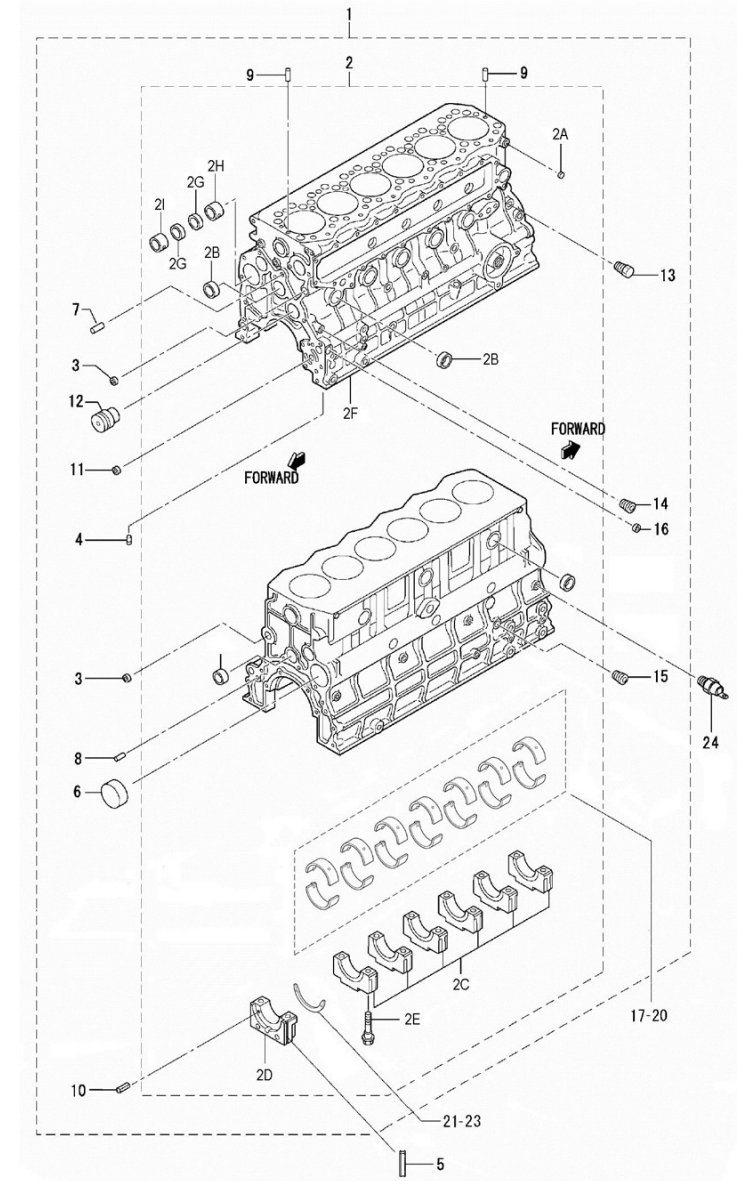


D_GH02_1_6		Crankcase			
Fig.	Ref.	Qty.	Descr.	Obs	From UpTo
1	17520001	1	CRANKCase Assy		
2	(*1)	1	Not available		
2B	13320006	14	Cap, Sealing		
2C	(*2)	6	Not available		
2D	(*3)	1	Not available		
2E	17420009	14	Bolt Bearing Cap		
2F	(*)	1	Not available		
2F	(*4)	1	Not available		
2G	13320002	2	Bushing,camShaft n°2		
2H	17120015	1	BUSING,camShaft r		
2I	17520015	1	Bushing,CamShaft,F		
3	13320007	8	Cap, Sealing		
5	17420112	2	Seal,Valve		
6	17420013	1	Plug,Cam		
7	17120036	2	Pin, dowel		
8	13320025	2	Pin		
9	17120019	2	Pin, dowel		
10	17420012	6	Pin, Spring		
11	17420011	1	Bushing		
12	17420034	1	Shaft, IDLER		
13	17824003	1	Plug, Tapered		
14	17820011	7	Plug, Tapered		
15	17120021	2	Plug, taper		
16	17420027G.1	1	Plug, TAPPERED (Generator)		
17	17520003	1	Bearing Set, MAIN STD		
18	17520004	1	Bearing Set, MAIN -0,25		
19	17520005	1	Bearing Set, MAIN -0,50		
20	17520006	1	Bearing Set, MAIN -0,75		
21	17420109	3	Plate, THRUST.C/S STD		
22	17420110	3	Plate, THRUST.C/S +0,15		
23	17420111	3	Plate, THRUST.C/S +0,30		



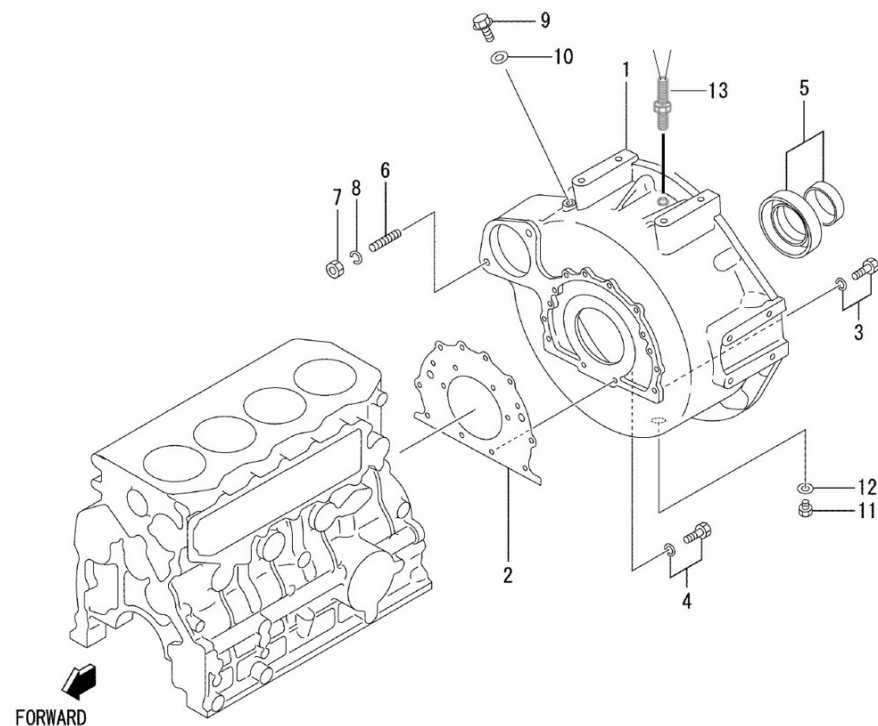
D_GH02_1_6 Cranckcase

Fig.	Ref.	Qty.	Descr.	Obs	From	UpTo
24	13320044	1	Switch Oil Pressure			



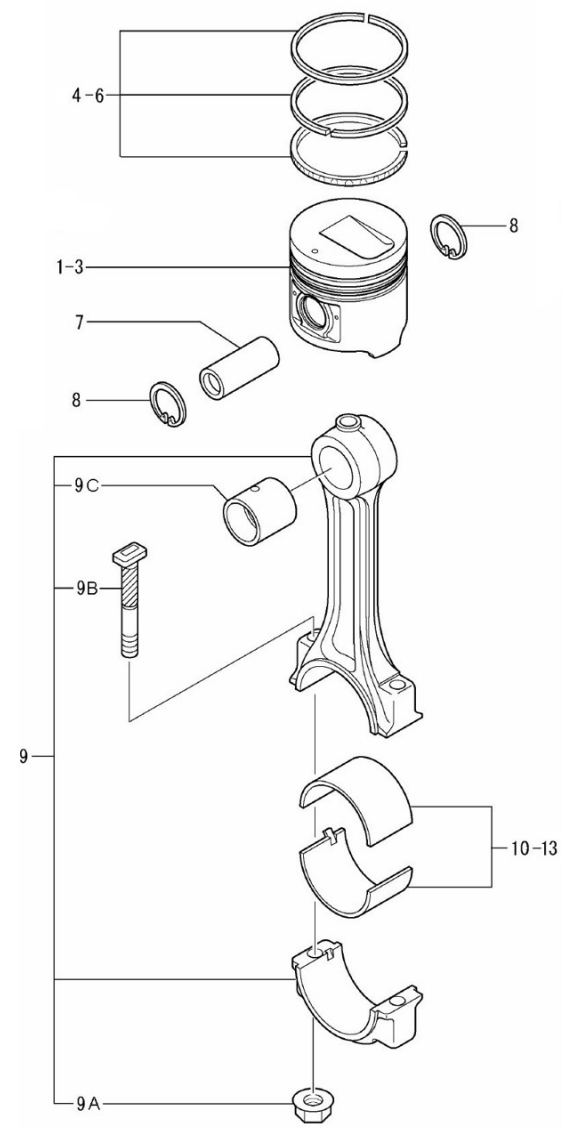
D_GH01_1_7 Flywheel Housing

Fig.	Ref.	Qty.	Descr.	Obs	From	UpTo
1	17420002	1	FLYWEEL Housing			
2	17420025	1	Gasket,Rear			
3	17327129.2	10	Bolt			
4	17420028G.1	2	Bolt,W/Washer (Generator)			
5	13320063	1	Seal Oil			
6	13320067	2	Stud			
7	17827003	2	Nut			
8	53033010	2	Washer GROWER DIN 127-10			
9	17121016	1	Plug, drain			
10	17121013	1	Gasket			
11	13224045	1	Plug			
12	56000077	1	Washer 18-23-1,5			
13	60972519	1	Magnetic Speed Sensor			



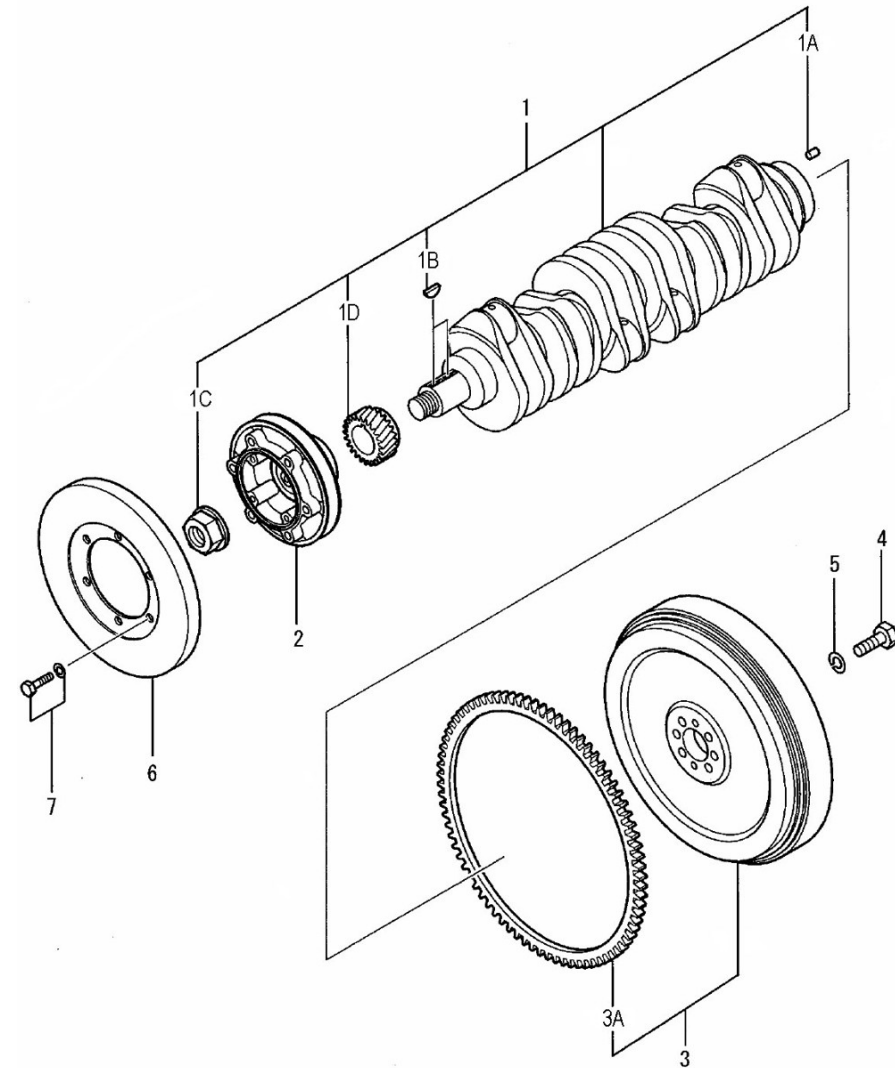
D_MI10_1_8 Piston & Connecting Rod

Fig.	Ref.	Qty.	Descr.	Obs	From	UpTo
1	17422001	6	Piston STD.			
2	17422002	6	Piston O.S 0,25			
3	17422003	6	Piston O.S 0,50			
4	17422006	6	Ring Set,Piston STD.			
5	17422007	6	Ring,Piston O.S 0,25			
6	17422008	6	Ring,Piston O.S 0,50			
7	17422009	6	Pin,Piston			
8	17422010	12	Ring,Snap			
9	17822012	6	Rod Assy. Connecting			
9A	17122011	12	Nut,connecting rod			
9B	17122013	12	Bolt,connecting rod			
9C	17422033	6	Bushing,Con-Rod			
10	17522014	1	METAL Set,CONROD STD			
11	17522015	1	METAL Set,CONROD -0,25			
12	17522016	1	METAL Set,CONROD -0,50			
13	17522017	1	METAL Set,CONROD -0,75			

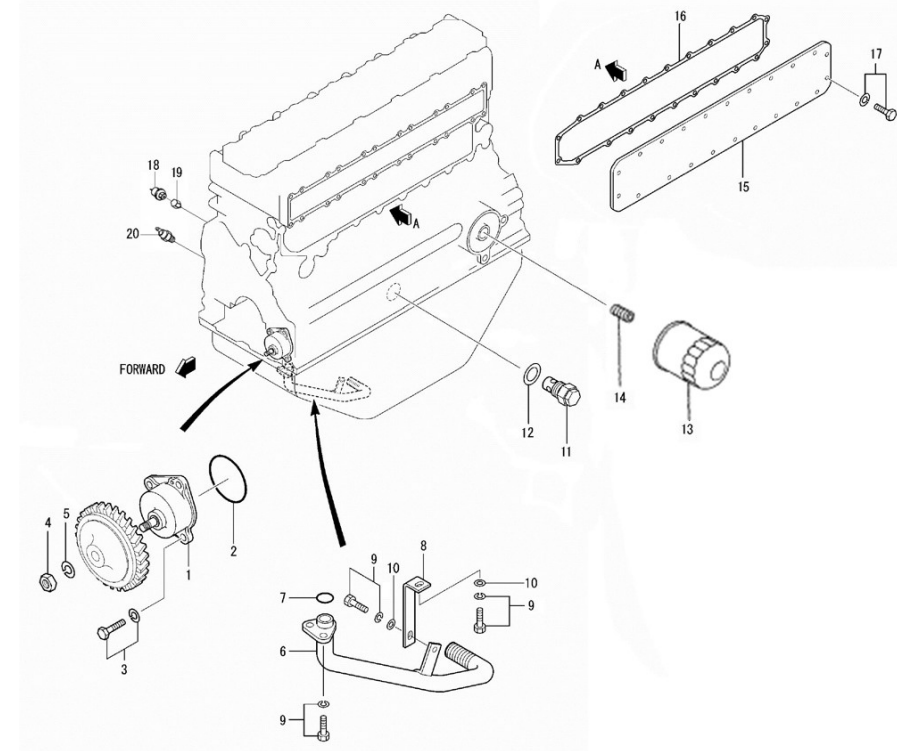


D_MI10_1_9 Crankshaft & Flywheel

Fig.	Ref.	Qty.	Descr.	Obs	From	UpTo
1	17522018	1	CrankShaft Assy			
1A	13322059	2	Pin			
1B	13322034	2	Key Woodruff			
1C	17422026	1	Nut,CrankShaft			
1D	17422019	1	Gear,CrankShaft			
2	17522024	1	Pulley CrankShaft			
3	17522027	1	Flywheel Assy			
3A	17422029	1	Gear,Ring Z=122			
4	13322065	6	Bolt			
5	53033012	6	Washer Grower DIN 127-12			
6	17522076	1	Damper,TORSIONAL			
7	17522077	6	Bolt,W/Washer			

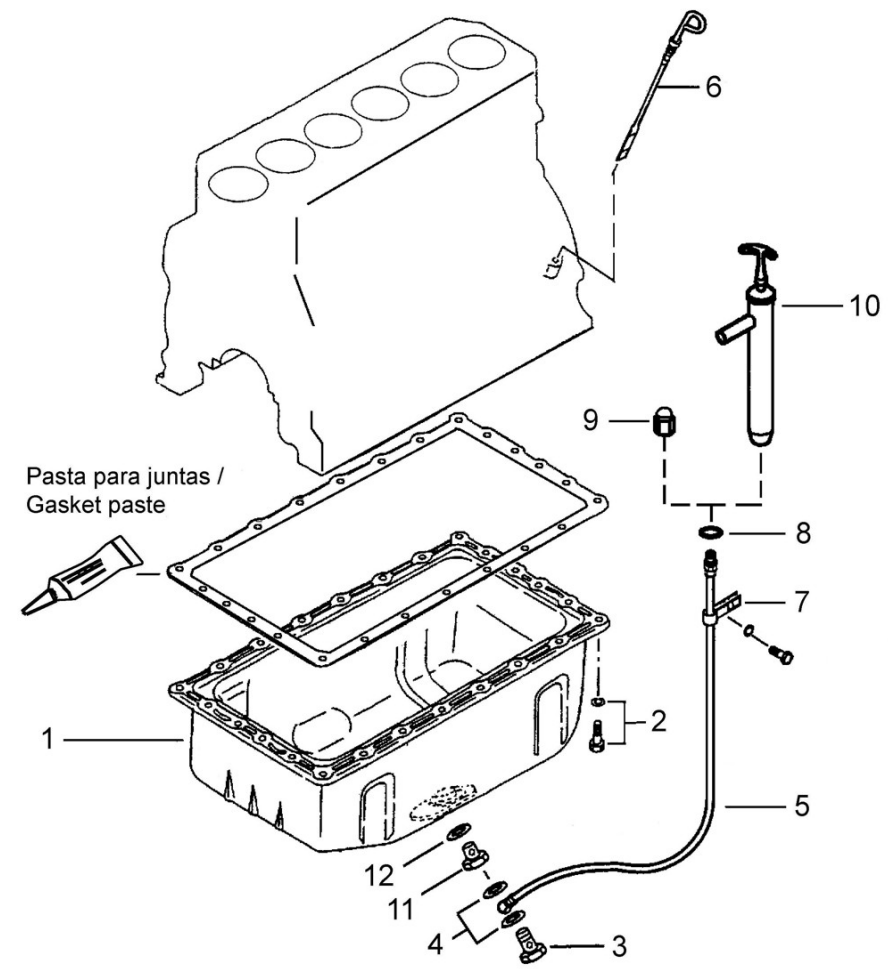


D_GH02_1_10		Oil System				
Fig.	Ref.	Qty.	Descr.	Obs	From	UpTo
1	17524040	1	Pump Assy,Oil			
2	17424055	1	O-Ring D. 60X2			
3	17121012	4	Bolt, w/washer			
4	13122045	1	Nut			
5	53033010	1	Washer GROWER DIN 127-10			
6	17524052	1	STrainer,Oil			
7	17424060	1	O-Ring D. 22X2,4			
8	17524053	1	STAY,Oil STrainer			
9	13820043	4	Bolt,W/Washer			
10	51030008	2	Washer DIN 125-8			
11	17124072	1	Valve, Assy			
12	17424063	1	Gasket			
13	17524051	1	Oil Filter Element SM-75/90/105			
14	17424054	1	Union,Oil Filter			
15	17524065	1	Cover,CRANKCase			
16	17524062	1	Gasket,Side Cover			
17	17422037G.1	23	Bolt W/Washer (Generator)			
18A	60900985	1	Pressure Sensor			
			Figure A for Standard System			
18B	60900990	1	Sender, Oil Press 10 Bar Bipolar + Washer			
			Figure b for Parallel System			
19	17117052	1	Oil Pressure Sensor Adaptor			
20A	13320044	1	Switch Oil Pressure			
20A	17127027.1	1	SWITCH, oil pressure			
			Figure A for Standard System			
20B	60900979	1	Earth Isolated Oil Press Switch 0.5 Bar M10x1 SG			
			Figure b for Parallel System			



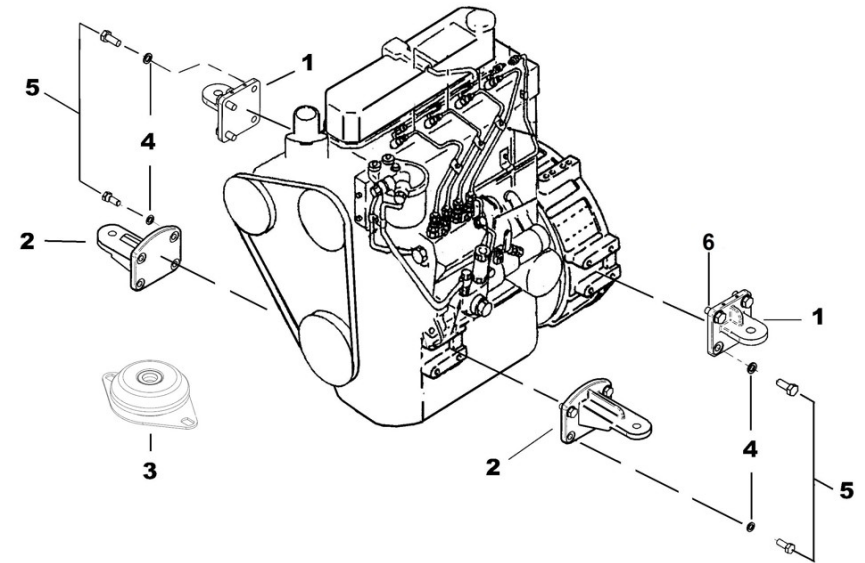
D_MI10_1_11 Oil Pan

Fig.	Ref.	Qty.	Descr.	Obs	From	UpTo
1	17520030	1	Pan Assy,Oil			
2	13820043	31	Bolt,W/Washer			
3	12814051	1	Screw,eye			
4	56000069	2	Washer 14-20-1,5			
5	18014021	1	Extraction Hose			
6	17520029	1	Gauge Oil Level			
7	17214022	1	Bracket, Pipe			
8	56000217	1	Washer 13-20-3			
9	16514020	1	Plug			
10	14714001	1	Oil Extraction Pump			
11	17514001	1	Plug			
12	56000083	1	Washer 21-26-1,5			



D_GH01_1_12 Engine Brackets

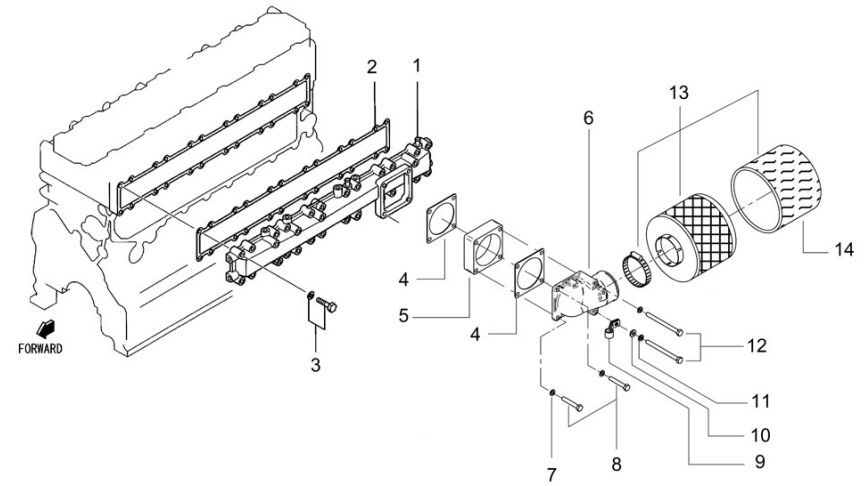
Fig.	Ref.	Qty.	Descr.	Obs	From	UpTo
1	17410002	2	Rear Bracket			
2	17410001.2	2	Front Bracket			
3	61674001	6	Engine Mount Type F 40 SHA M16 H 41		02/06/2017	
3	61674007	6	Engine Mount Type F BRB 110 A40 SHA M16 H 41			
4	53033012	16	Washer Grower DIN 127-12			
5	52102359	15	Bolt DIN 933 M12-30 8.8			
6	52102360	1	Bolt DIN 933 M12-35 8.8			



D_MI10_2_1

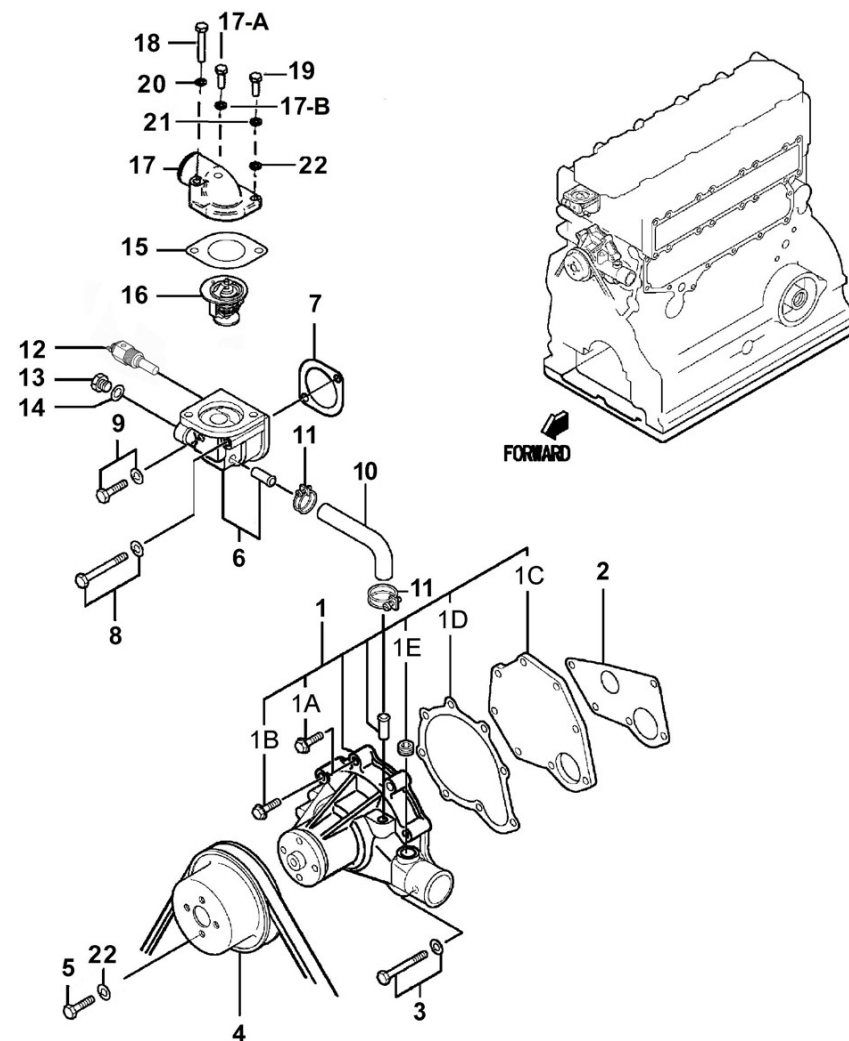
Inlet

Fig.	Ref.	Qty.	Descr.	Obs	From	UpTo
1	17521030	1	MANIFOld Assy,Inlet			
2	17521032	1	Gasket,IN.MANIFOld			
3	17121014	24	Bolt, w/washer			
4	17421042	2	Gasket			
5	17510015	1	Elbow Spacer			
6	17521029	1	Elbow,Air Inlet			
7	53038008	3	Washer DIN 6798-A 8			
8	52101263	2	Bolt DIN 931 M8-50 8.8			
9	17514010	1	Bracket Clamp			
10	51030008	1	Washer DIN 125-8			
11	53033008	1	Washer GROWER DIN 127-8			
12	52101272	2	Bolt DIN 931 M8-95 8.8			
13	17410034	1	Air Filter			
14	17410031	1	Filter Element (Air Filter)			



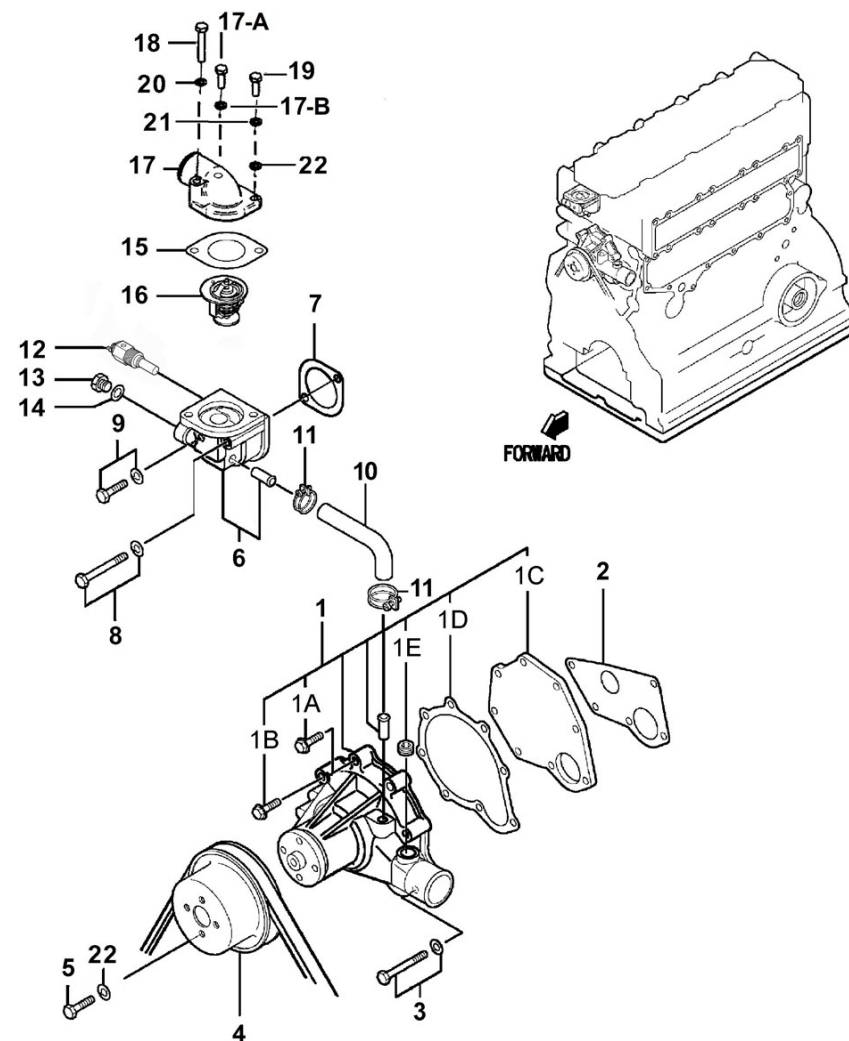
D_GH02_3_1 Water Pump

Fig.	Ref.	Qty.	Descr.	Obs	From	UpTo
1	17421020G	1	Fresh Water Assy (tube 10)			
1A	17122051	2	Bolt, w/washer			
1B	52101260	1	Bolt DIN 931 M8-35 8.8			
1C	17421043	1	Cover,Water Pump			
1D	17421022	1	Gasket,Pump Cover			
1E	17020023	1	Plug TAPER 3/8			
2	17421041	1	Gasket,Side Cover			
3	52101262	6	Bolt DIN 931 M8-45 8.8			
4	17421021G	1	Pulley,Water Pump			
5	52102257	4	Bolt DIN 933 M8-20 8.8			
6	17421037	1	Case Assy,Thermostat			
7	17111021	2	Gasket			
8A	52101268	1	Bolt DIN 931 M8-75 8.8			
9	17821039	0	Bolt, Flange	#		
10	17421025	1	Hose,BY-PASS			
11	17121036	2	Clamp, hose			
12A	60900980	1	Temperature Sensor			
Figure A for Standard System						
12B	60900983	1	Bipolar Temperature Sender SG			
Figure b for Parallel System						
13A	17427080	1	Switch,Thermo			
Figure A for Standard System						
13B	60900973	1	High Coolant, 2 Poles 95° SG			
Figure b for Parallel System						
14	17121013	1	Gasket			
16	17121027	1	Thermostat			
17	17111020	1	Fitting,water outlet			
17A	13811035	1	Bolt,bleed			
17B	56000053	1	Washer 6-10-1,5			
18	52101263	1	Bolt DIN 931 M8-50 8.8			
19	52102259	1	Bolt DIN 933 M8-30 8.8			

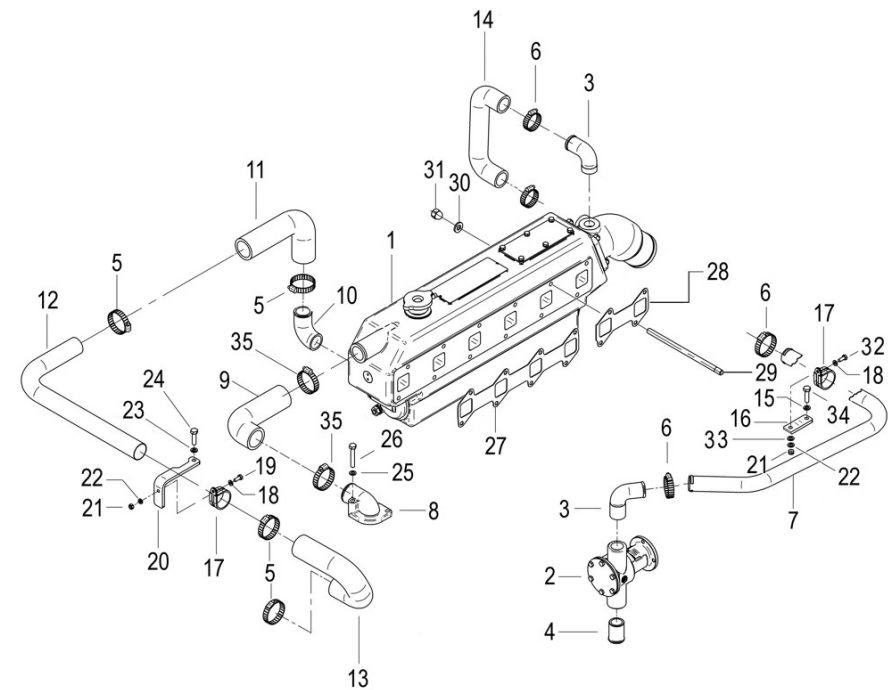


D_GH02_3_1 Water Pump

Fig.	Ref.	Qty.	Descr.	Obs	From	UpTo
20	53038008	1	Washer DIN 6798-A 8			
21	51030008	1	Washer DIN 125-8			
22	53033008	6	Washer GROWER DIN 127-8			

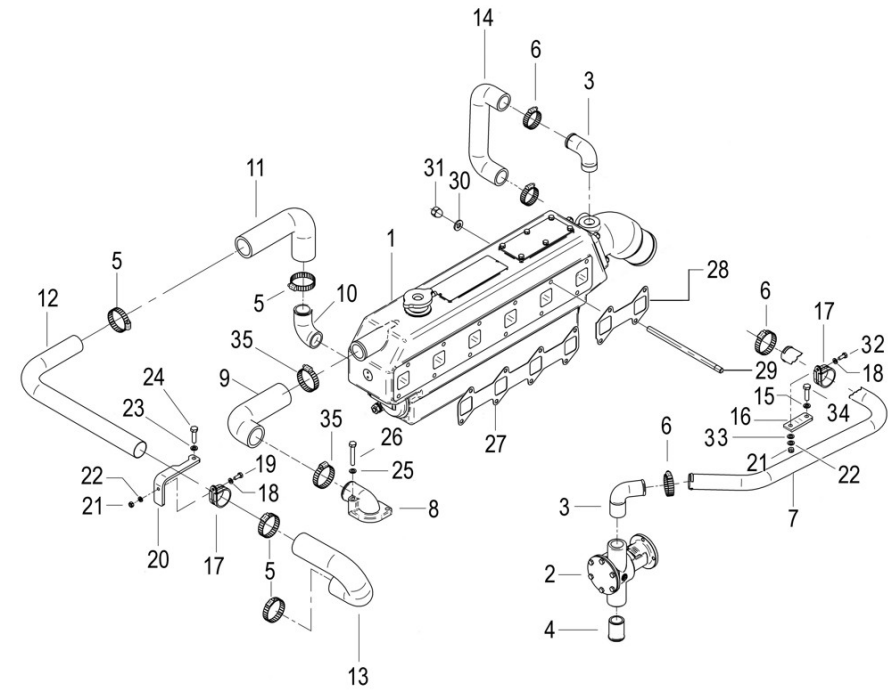


D_GH01_3_2		Cooler Pipes			
Fig.	Ref.	Qty.	Descr.	Obs	From UpTo
1	17511000GR	1	Water Cooler Assy SM-105 (Genset)		
2	36511000	1	Cross Brace Pump from 74 to 616		
3	14711021	1	Elbow N°1		
4	60180007	1	Outlet Coupling		
5	54082032	4	Clamp DIN 3017 32-50/12 W4		
6	54082025	4	Clamp DIN 3017 25-40/12 W4		
7	M87503242	0	Water Intake Hose (HQ) D. 32-42	#	
8	17111020	1	Fitting,water outlet		
9	17411013	1	Thermostat Water Outlet Elbow		
10	17111011	1	Elbow 1 1/8"		
11	17511013	1	Elbow		
12	17011022	1	Pipe,from cooler to engine		
13	16711016	1	Rubber Elbow		
14	17411034	1	Hose		
15	51030010	1	Washer DIN 125-10		
16	13817011	1	Bracket		
17	59071383	1	Clamp TYP.1 38/15 W1		
18	51030006	2	Washer DIN 125-6		
19	52102156	1	Bolt DIN 933 M6-16 8.8		
20	17511014	1	Bracket		
21	52120006	2	Nut DIN 934 M6 8.8		
22	53033006	2	Washer GROWER DIN 127-6		
23	53033008	1	Washer GROWER DIN 127-8		
24	52102259	1	Bolt DIN 933 M8-30 8.8		
25	56000053	1	Washer 6-10-1,5		
26	52102153	1	Bolt DIN 933 M6-8 8.8		
27	17421035	1	Gasket,Exhaust Manifold		
28	17521035	1	Gasket		
29	17411015	12	Stud		
30	56000057	12	Washer 8-13-1,5		
31	55122008	12	Nut DIN 1587 M8		



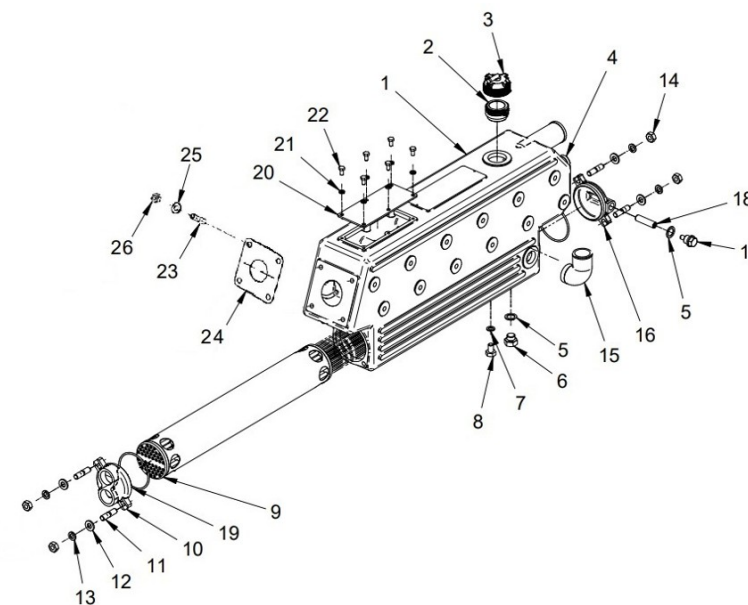
D_GH01_3_2 Cooler Pipes

Fig.	Ref.	Qty.	Descr.	Obs	From	UpTo
32	52102157	1	Bolt DIN 933 M6-20 8.8			
33	51031006	1	Washer DIN 9021 6			
34	52102306	1	Bolt DIN 933 M10-15 8.8			
35	54082040	2	Clamp DIN 3017 40-60/12 W4			



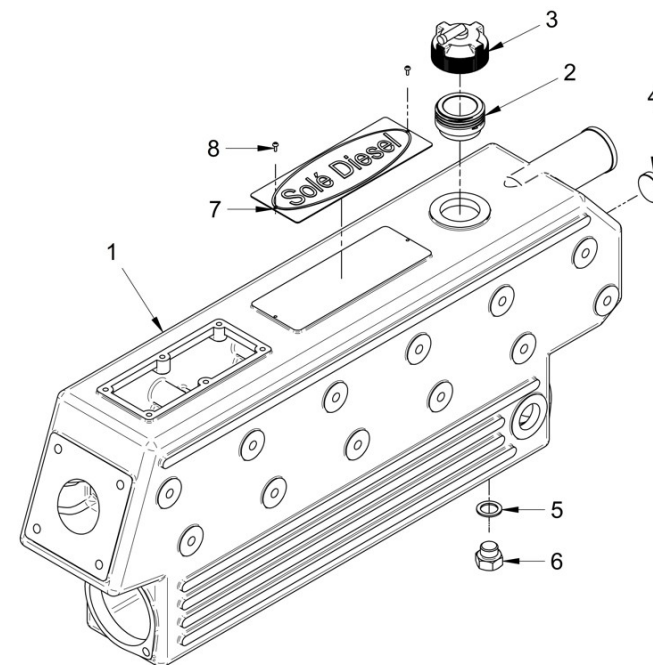
D_17511000GREC Water Cooler Assy SM-105

Fig.	Ref.	Qty.	Descr.	Obs	From	UpTo
1	17511001	1	Body, Water Cooler			
2	17411004	1	Adapter, MTA Cap			
3	13811010	1	Cap			
4	12113092	1	Plug			
5	56000073	2	Copper Washer 16-23-1,5			
6	12111076	1	Plug			
7	56000061	1	Washer 10-16-1,5			
8	54102306	1	Bolt DIN 933 M10-16 INOX.			
9	19011004	1	Tubular Bundle			
10	17411003	1	Water Cooler Cover			
11	16511007	4	Stud			
12	51030010	4	Washer DIN 125-10			
13	53033010	4	Washer GROWER DIN 127-10			
14	54120010	4	Nut DIN 934 M10			
15	17111011	1	Elbow 1 1/8"			
16	18011002	1	Water Cooler Cover			
17	18011009	1	Anode Plug			
18	18011031	1	Engine Anode 45 mm M.8			
19	18011008	2	O-Ring D. 72X3			
20	18211002	1	Cover			
21	53033006	6	Washer GROWER DIN 127-6			
22	52102155	6	Bolt DIN 933 M6-12 8.8			
23	19613016	4	Turbo Stud M8-M10			
24	16513002	1	Exhaust Elbow Gasket			
25	53033008	4	Washer GROWER DIN 127-8			



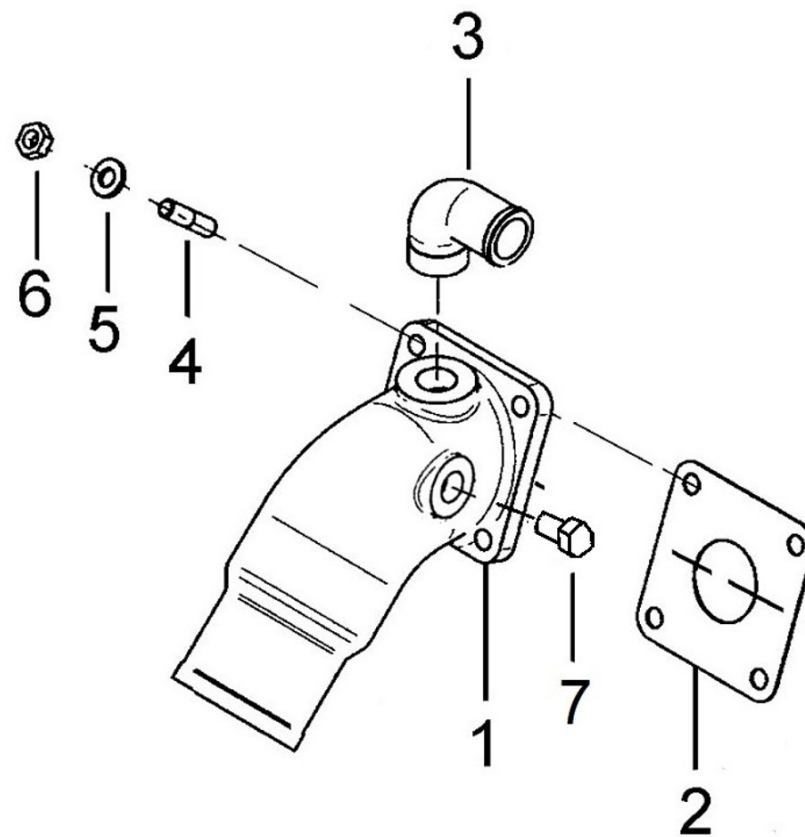
17511001C Body, Water Cooler and Neck

Fig.	Ref.	Qty.	Descr.	Obs	From	UpTo
1	17511001	1	Body, Water Cooler			
2	17411004	1	Adapter, MTA Cap			
3	13811010	1	Cap			
4	12113092	1	Plug			
5	56000073	1	Copper Washer 16-23-1,5			
6	12111076	1	Plug			
7	17111060	1	Plate "SOLE Diesel"			
8	17111062	2	Bolt			



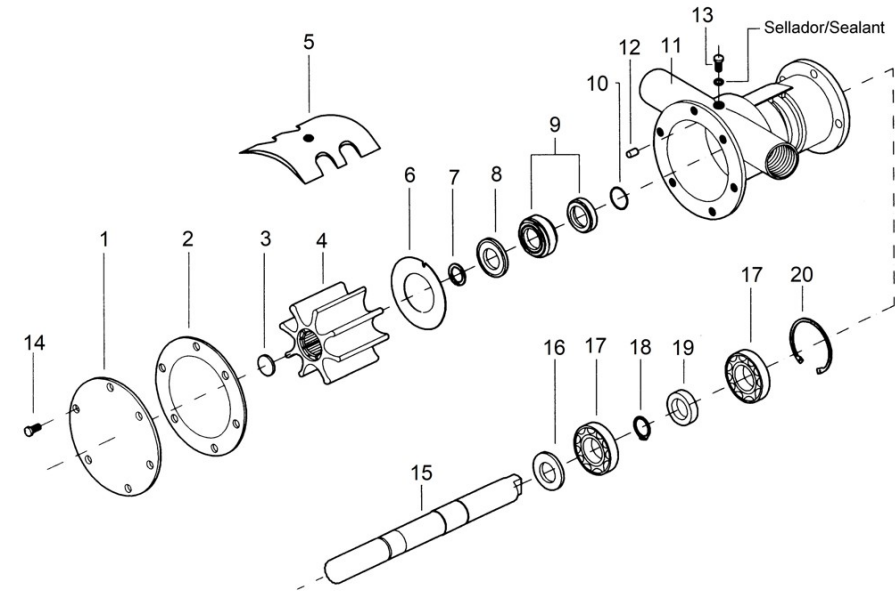
D_MI74_3_3 Wet Exhaust

Fig.	Ref.	Qty.	Descr.	Obs	From	UpTo
1	16613015	1	Elbow, wet exhaust			
2	16513002	1	Exhaust Elbow Gasket			
3	14711021	1	Elbow N°1			
4	16511007	4	Stud			30/05/2017
4	19613016	4	Turbo Stud M8-M10		31/05/2017	
5	53033008	4	Washer GROWER DIN 127-8		31/05/2017	
5	53033010	4	Washer GROWER DIN 127-10			30/05/2017
6	54120008	4	Nut DIN 934 M8		31/05/2017	
6	55120110	4	Nut DIN 934 M10			30/05/2017
7	55102405	1	Bolt DIN 933 M14-1,50-12 Brass		26/04/2024	

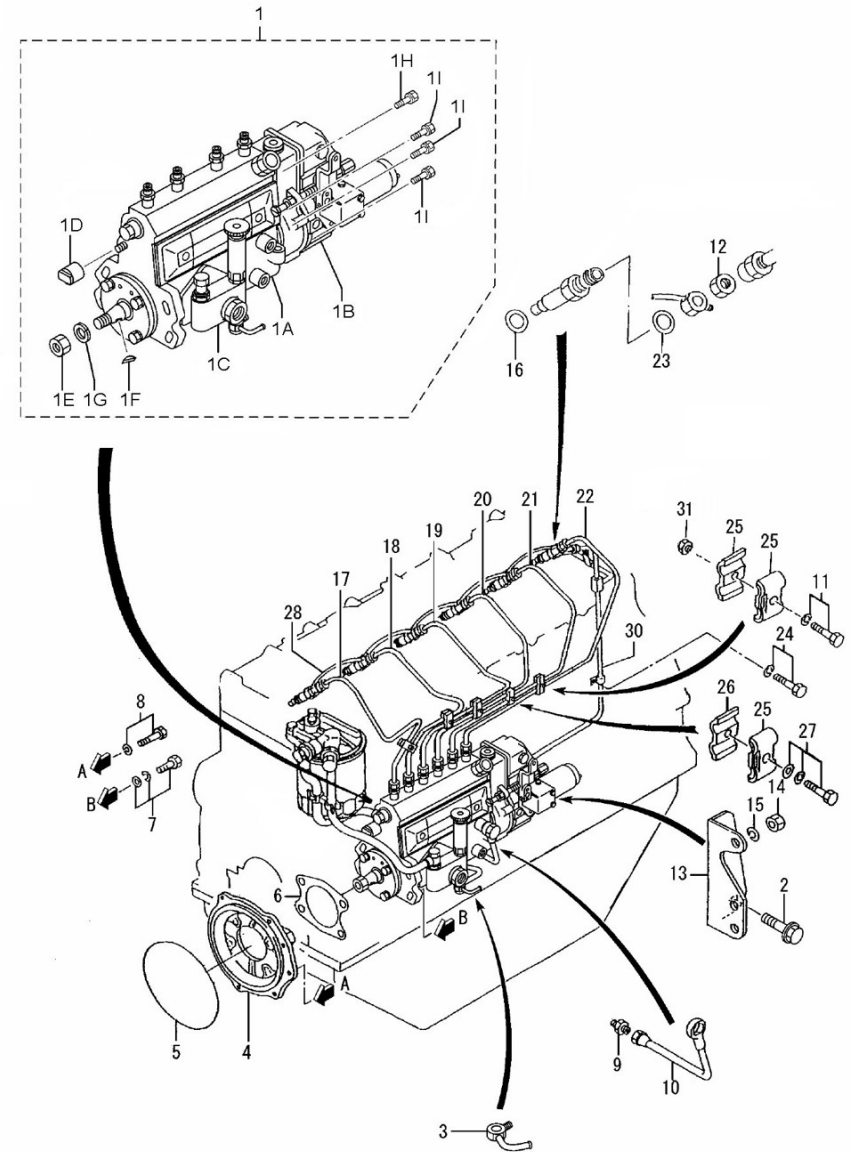


36511000 Cross Brace Pump from 74 to 616

Fig.	Ref.	Qty.	Descr.	Obs	From	UpTo
1	34711002	1	Cover Pump			
2	34711003	1	Gasket Cover			
3	34711041	1	Impeller Plug			
4	34711008	1	1" Impeller			
5	34711005	1	Cam			
6	34711026	1	Plate,Friction			
7	54040016	1	CIRClip E-16			
8	36511018	1	Washer,seal			
9	36511019	1	Seal			
10	33311013	1	O-Ring D. 15X2			
11	36511001	1	Body,water pump			
12	36511017	1	Pin,Dowel			
13	54108154	1	Bolt DIN 84 M6-10			
14	54102154	6	Bolt DIN 933 M6-10 INOX			
15	36511010	1	Shaft,pump			
16	36511015	1	Spacer 17X24X7			
17	33311014	2	Ball Bearing 6203			
18	53040017	1	Circlip DIN 471 E-17			
19	36511020	1	Seal 16-30-7			
20	53041040	1	Circlip DIN 472 I-40			

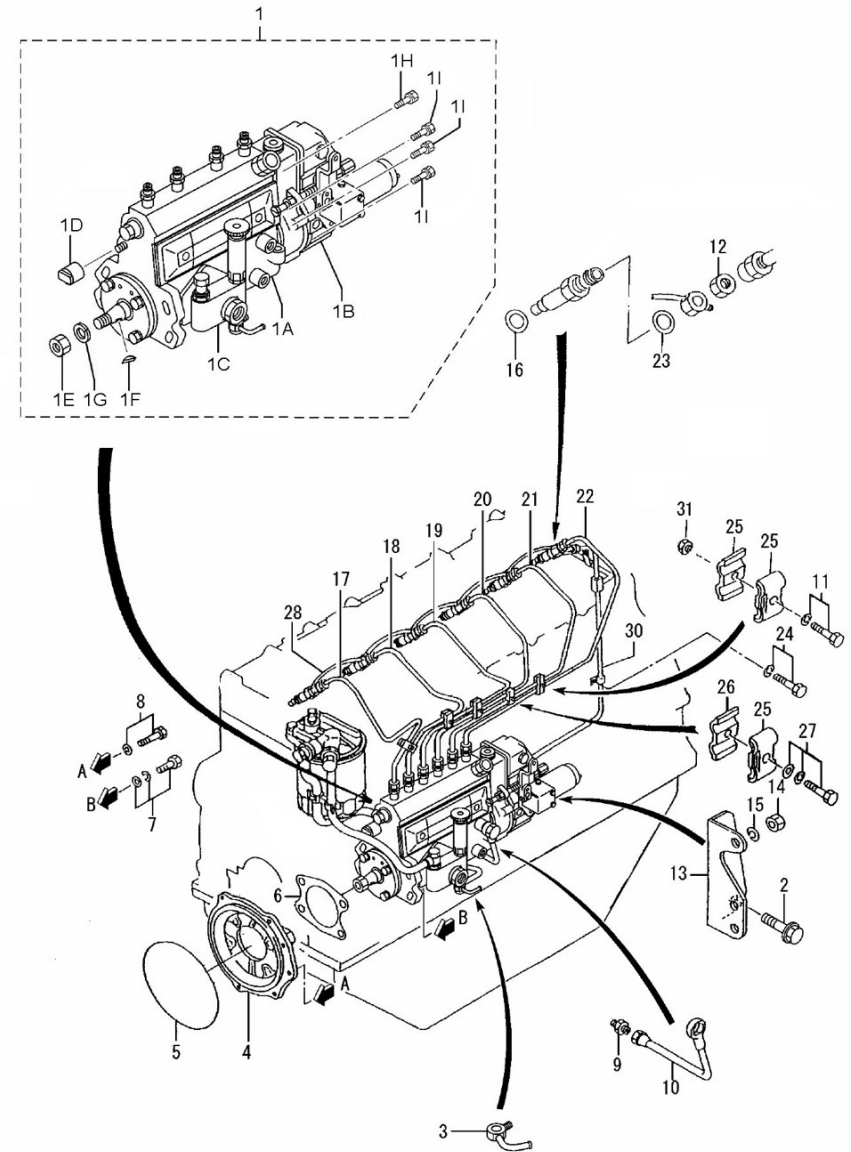


D_GH01_4_1		Fuel Pipe			
Fig.	Ref.	Qty.	Descr.	Obs	From UpTo
1	17525001G	1	Pump Assy,Injection		
1B	(*)	1	Not available		
1B	(*1)	1	Not available		
1C	13325100	1	Pump Feed		
1D	13325203	1	SLEEVE LIMIT		
1E	52120012	1	Nut DIN 934 M12 8.8		
1F	13325268	1	KEY WOODRUFF		
1G	13325273	1	Washer		
1H	17425003	1	Bolt,W/Washer		
1I	17425004	6	Bolt,W/Washer		
2	17425036	1	Bolt,Flange		
3	17424027	1	JOINT,EYE		
4	17425005	1	Flange,INJ.Pump		
5	17420047	1	O-Ring D. 140X2		
6	17425028	1	Gasket		
7	17425029	4	Bolt,W/Washer		
8	17721012	1	Bolt,W/Washer		
9	17424032	1	Connector		
10	17524033	1	Pipe,Oil		
11	52102157	1	Bolt DIN 933 M6-20 8.8		
12	13824024	6	Nut		
13	17524034	1	Bracket,INJ Pump		
14	17120049	1	Nut M8		
15	53033008	1	Washer GROWER DIN 127-8		
16	13824013	6	Injector Washer		
17	17524015	1	Pipe Injection N.1		
18	17524016	1	Pipe Injection N.2		
19	17524019	1	Pipe Injection N.3		
20	17524022	1	Pipe Injection N.4		
21	17524023	1	Pipe Injection N.5		
22	17524024	1	Pipe Injection N.6		



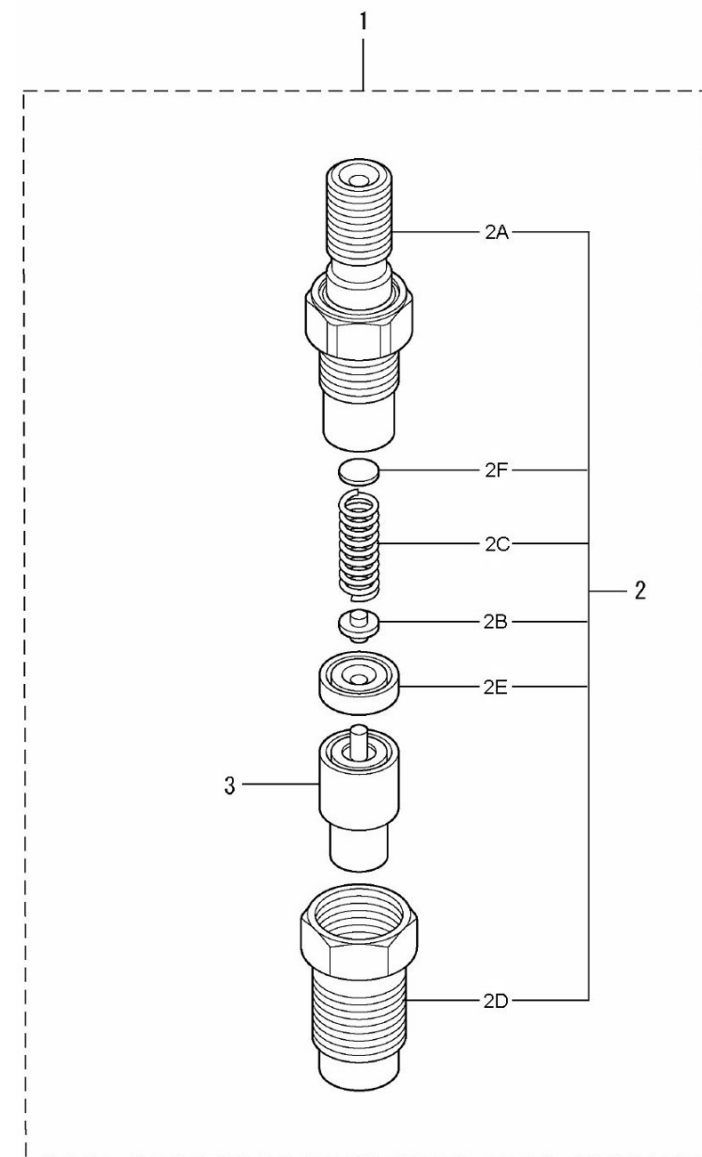
D_GH01_4_1 Fuel Pipe

Fig.	Ref.	Qty.	Descr.	Obs	From	UpTo
23	17424025G.1	6	Gasket Fuel Return (Genset)			
24	17524025G	2	Bolt			
25	13124018	6	Clamp (A)			
26	13124017	4	Clamp (B)			
27	17524025	4	Bolt,W/Washer			
28	17524004	1	Assy,Fuel Return			
30	17524005	1	Pipe,Fuel			
31	52120006	1	Nut DIN 934 M6 8.8			

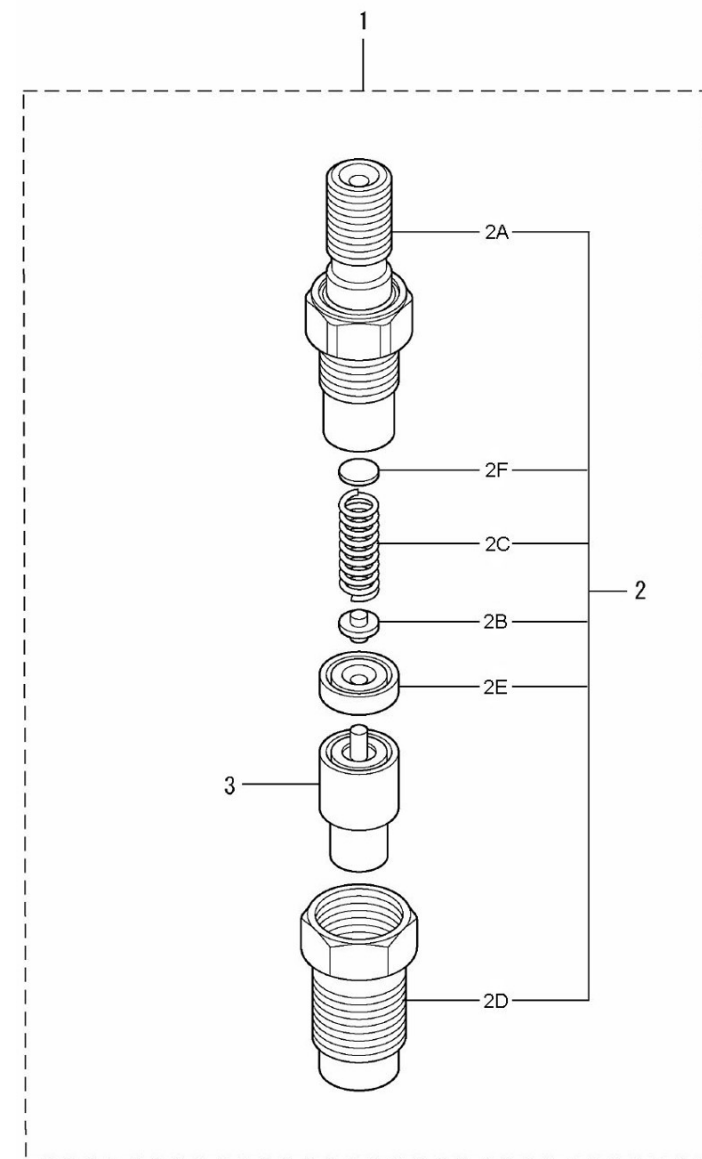


D_MI10_4_2 Injection Nozzle

Fig.	Ref.	Qty.	Descr.	Obs	From	UpTo
1	17126001	6	Nozzle, Assy			
2	17126003	6	Holder			
2A	17126002	6	Body, Assy			
2B	13826003	6	Pin Pressure			
2C	17126004	6	Spring, pressure			
2D	17126006	6	Nut, retaining			
2E	13826007	6	PIECE DISTANCE			
2FAA	17126020	0	Washer 0.900	#		
2FAB	17126021	0	Washer 0.925	#		
2FAC	17126022	0	Washer 0.950	#		
2FAD	17126023	0	Washer 0.975	#		
2FAE	17126024	0	Washer 1.000	#		
2FAF	17126025	0	Washer 1.025	#		
2FAG	17126026	0	Washer 1.050	#		
2FAH	17126027	0	Washer 1.075	#		
2FAI	17126028	0	Washer 1.100	#		
2FAJ	17126029	0	Washer 1.125	#		
2FAK	17126030	0	Washer 1.150	#		
2FAL	17126031	0	Washer 1.175	#		
2FAM	17126032	0	Washer 1.200	#		
2FAN	17126033	0	Washer 1.225	#		
2FAO	13826010	0	Washer 1,25	#		
2FAP	17126035	0	Washer 1.275	#		
2FAQ	13826011	0	Washer 1,30	#		
2FAR	17126037	0	Washer 1.325	#		
2FAS	13826012	0	Washer 1,35	#		
2FAT	17126039	0	Washer 1.375	#		
2FAU	13826013	0	Washer 1,40	#		
2FAV	17126041	0	Washer 1.425	#		
2FAW	13826014	0	Washer 1,45	#		
2FAX	17126043	0	Washer 1.475	#		

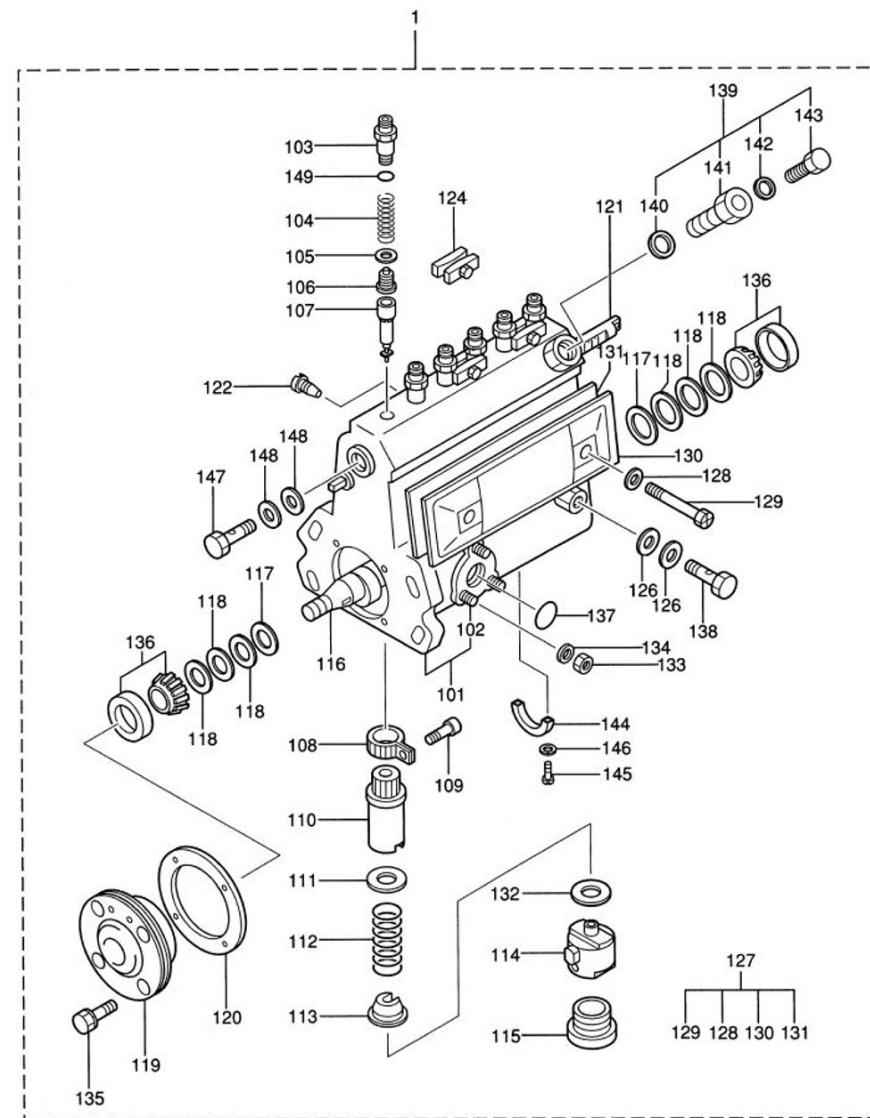


D_MI10_4_2		Injection Nozzle				
Fig.	Ref.	Qty.	Descr.	Obs	From	UpTo
2FAY	13826015	0	Washer 1,50	#		
2FAZ	17126045	0	Washer 1.525	#		
2FBA	13826016	0	Washer 1,55	#		
2FBB	17126047	0	Washer 1.575	#		
2FBC	13826017	0	Washer 1,60	#		
2FBD	17126049	0	Washer 1.625	#		
2FBE	13826019	0	Washer 1,65	#		
2FBF	17126051	0	Washer 1.675	#		
2FBG	13826020	0	Washer 1,70	#		
2FBH	17126053	0	Washer 1.725	#		
2FBI	17126054	0	Washer 1.750	#		
2FBJ	17126055	0	Washer 1.775	#		
2FBK	17126056	0	Washer 1.800	#		
2FBL	17126057	0	Washer 1.825	#		
2FBM	17126058	0	Washer 1.850	#		
2FBN	17126059	0	Washer 1.875	#		
2FBO	17126060	0	Washer 1.900	#		
2FBP	17126061	0	Washer 1.925	#		
2FBQ	17126062	0	Washer 1.950	#		
3	13326130	6	TIP Assy Nozzle			



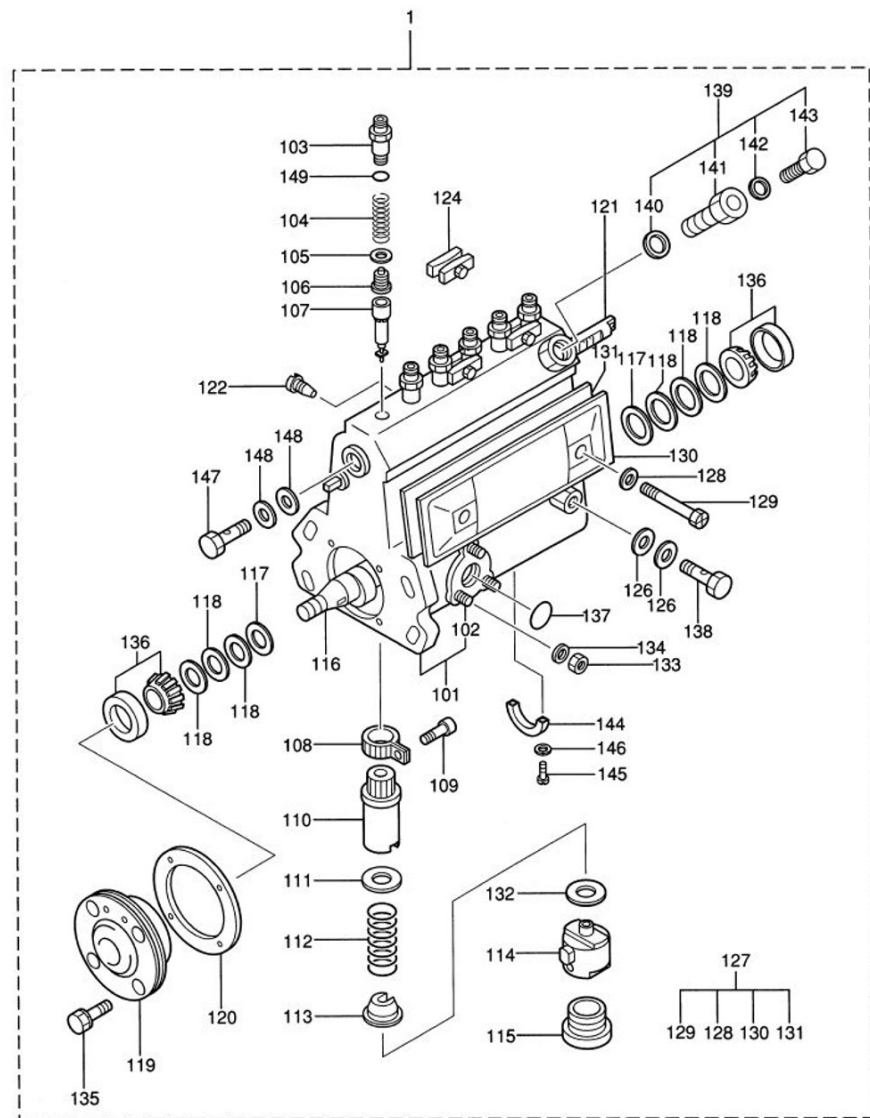
D_GH01_4_3 Fuel Injection Pump Parts

Fig.	Ref.	Qty.	Descr.	Obs	From	UpTo
1	(*)	2	Not available			
102	13325239	3	Stud			
103	17425046	6	Support SOUPAPE			
104	17425014	6	Spring,Valve			
105	17425012	6	Gasket,Valve			
106	17425008	6	Valve,DELIVERY			
107	17425009	6	Element,Pump			
108	13325241	6	PinION Control			
109	13325240	6	Screw			
110	17425015	6	SLEEVE,Control			
111	17425011	6	SHEET,Upper Spring			
112	13325244	6	Spring Plunger			
113	17425013	6	SHEET,LOWER Spring			
114	13325261	6	Tappet Assy			
115	17425022	6	Plug,Screw			
116	17525269	1	CamShaft			
117	13325226	2	Ring			
118	13325219	0	Plate 0,1	#		
118	13325220	0	Plate 0,12	#		
118	13325221	0	Plate 0,14	#		
118	13325222	0	Plate 0,16	#		
118	13325223	0	Plate 0,18	#		
118	13325224	0	Plate 0,3	#		
118	13325225	0	Plate 0,5	#		
118	17425030	0	Shim Adjusting T=1.00	#		
118	17425031	0	Shim Adjusting T=1,50	#		
118	17425032	0	Shim Adjusting T=2.00	#		
118	17425033	0	Shim Adjusting T=0.03	#		
119	13325271	1	Cover			
120	17425025	1	Gasket,Bearing Cover			
121	13325211	1	RACK Control			



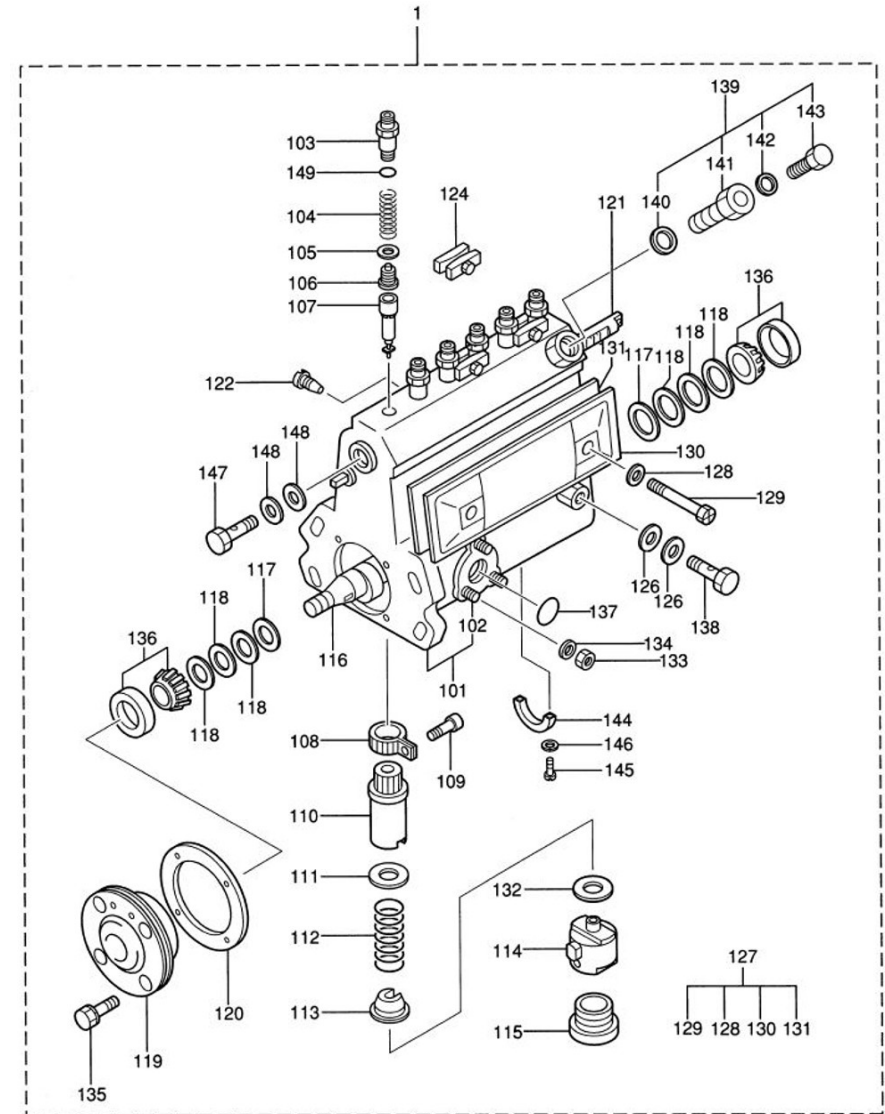
D_GH01_4_3 Fuel Injection Pump Parts

Fig.	Ref.	Qty.	Descr.	Obs	From	UpTo
122	17425027	1	Screw,RACK Guide			
124	17425035	3	Plate			
126	13825031.3	2	Washer,DRAIN Union			
127	17525227	1	Cover SUB Assy			
128	13325215	3	Washer			
129	17425041	2	Screw,HEXAGON			
130	17525229	1	Cover,Plate			
131	17525228	1	Gasket,Cover Plate			
132	13125014	0	Shim T=0,60	#		
132	13125015	0	Shim T=0,2	#		
132	13125017	0	Shim T=0,4	#		
132	13125018	0	Shim T=0,5	#		
132	13325246	0	Shim T=0.10	#		
132	13325247	0	Shim T=0.15	#		
132	13325249	0	Shim T=0.30	#		
132	13325253	0	Shim T=0.70	#		
132	13325254	0	Shim T=0.80	#		
132	13325255	0	Shim T=0.90	#		
132	13325256	0	Shim T=1.00	#		
132	13325257	0	Shim T=1.10	#		
132	13325258	0	Shim T=1.20	#		
132	13325259	0	Shim T=1.30	#		
132	13325260	0	Shim T=1.40	#		
132	17425034	0	Shim T=0.13	#		
133	17425019	3	Nut			
134	17425007	3	Washer, Spring			
135	13325272	4	Screw			
136	13325217	2	Conical Roller Bearing 30203			
137	13325234	1	O-Ring			
138	13325231	1	Screw, Record			
139	13325212	1	BREATHER Air			



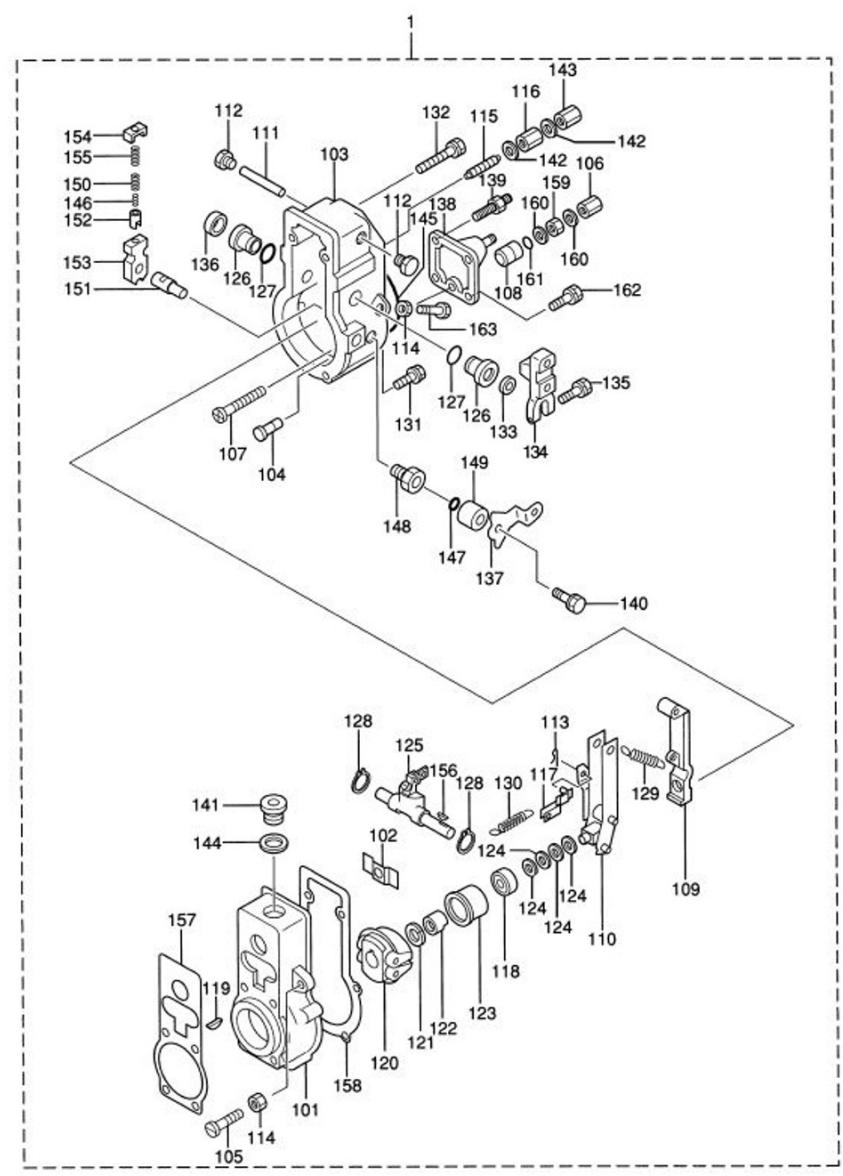
D_GH01_4_3 Fuel Injection Pump Parts

Fig.	Ref.	Qty.	Descr.	Obs	From	UpTo
140	13325213	1	Washer NIPPLE			
141	13325214	1	NIPPLE			
143	13825026	1	Screw Air			
144	13325235	1	METAL			
145	17525028	2	Screw			
146	13325236	2	Washer			
147	17325027.1	1	Screw,HOLLOW			
148	13325202	2	Washer			
149	17525010	4	O-Ring			

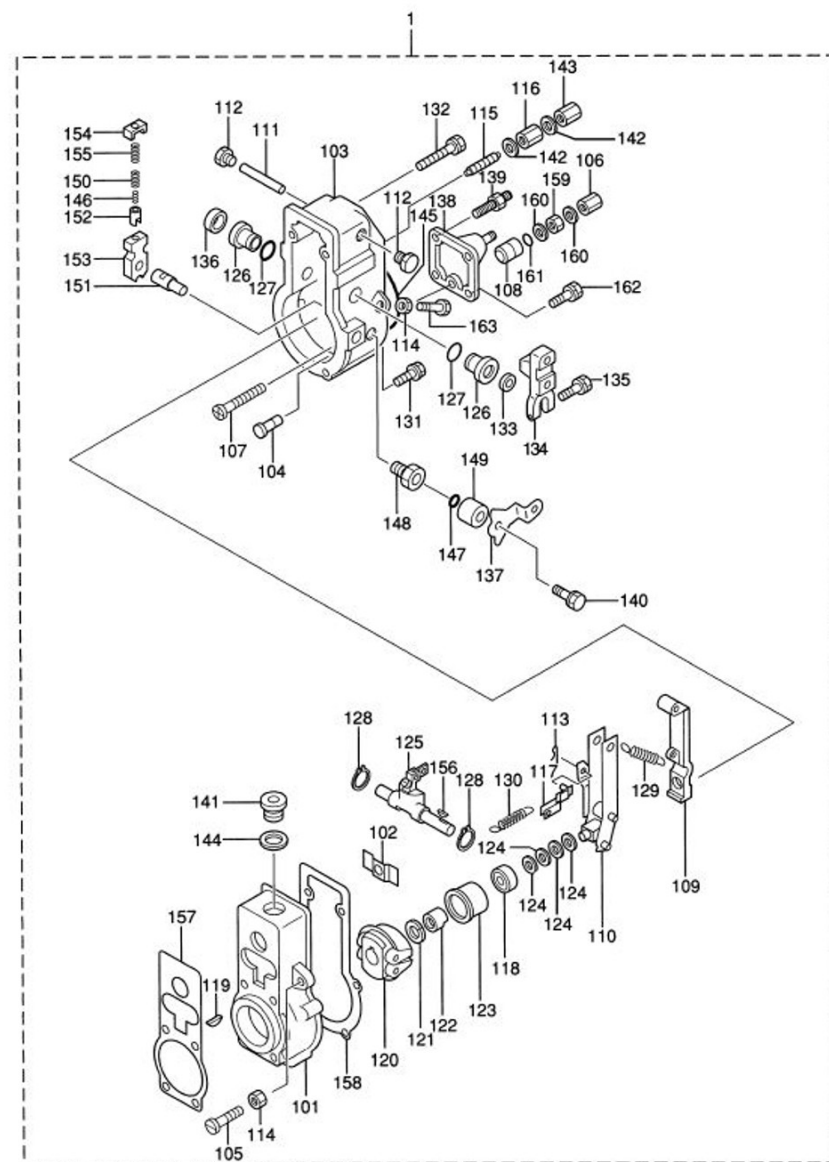


D_GH01_4_4 Governor Parts

Fig.	Ref.	Qty.	Descr.	Obs	From	UpTo
1	(*)	1	Not available			
101	17425201	1	Housing,GOverNOR			
102	17425203	1	Plate			
103	17425208	1	Cover,GOverNOR			
104	17425209	1	Pin			
105	17525210	1	Bolt			
106	17425217	1	Nut			
107	17425212	1	Screw,Adjusting			
108	17425213	1	Bushing			
109	17425218	1	Lever,TENSION			
110	17425245	1	Lever,TENSION			
111	17425222	1	Shaft,Lever			
112	17425223	2	Plug,Screw			
113	17425246	1	Pin,SPLIT			
114	17425211	2	Nut,W/Hole			
115	17525230	1	Capsule			
116	17425232	1	Nut,Adapter LOCK			
117	17425247	1	SHACKLE			
118	17425239	1	Bearing,Ball			
119	17425205	1	KEY,WOODRUFF			
120	17425235G	1	FLYWEIGHT Assy (Generator)			
121	13325273	1	Washer			
122	17425237	1	Nut,ROUND			
123	17425238	1	SLEEVE,GOverNOR			
124	17425240	0	Washer,Plate T=0.2	#		
124	17425241	0	Washer,Plate T=0.3	#		
124	17425242	0	Washer,Plate T=0.4	#		
124	17425243	0	Washer,Plate T=0.1	#		
124	17425244	0	Washer,Plate T=1.0	#		
125	17425250	1	Lever,SWIVELLING			
126	17425227	2	Bushing,Lever			

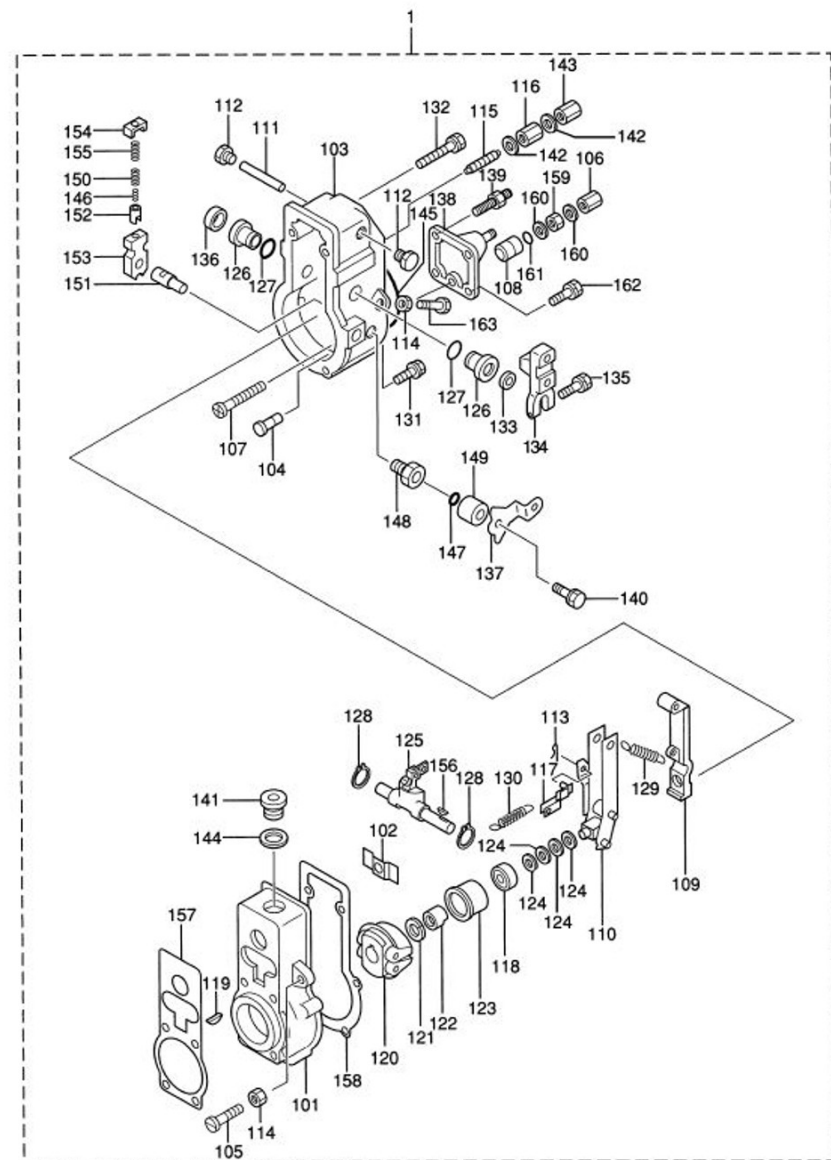


D_GH01_4_4 Governor Parts					
Fig.	Ref.	Qty.	Descr.	Obs	From UpTo
127	17425226	2	O-Ring		
128	17425251	2	Washer,SNAP		
129	17425220G	1	Spring,Control (Generator)		
130	17425248	1	Spring,START		
131	17425255	4	Bolt,W/Washer		
132	17425300	2	Bolt,W/Washer		
133	17425229	1	Seal,Oil		
134	17425224G	1	Lever,ADJUNTING (Generator)		
135	17425225	1	Bolt,W/Washer		
136	17425228	1	Cap,Lever		
137	17425259G	1	Lever,Stop (Generator)		
138	17425296	1	Plate,Cover		
139	17425271	2	Bolt,Stud		
140	17425260G	1	Bolt,W/Washer (Generator)		
141	17425206	1	Plug,Screw		
142	13325213	2	Washer NIPPLE		
143	17425233	1	Nut,Cap		
144	17425207	1	Washer,COPPER Plate		
145	17425295	1	Packing,Rubber Plate		
146	17425276	1	Spring		
147	17425257	1	O-Ring		
148	17425256G	1	Bushing,Bearing (Generator)		
149	17425258G	1	Cover,Spring (Generator)		
150	17425275	1	Spring		
151	17425279	1	Shaft,GOverNOR		
152	17425277	1	SHEET,spring		
153	17425278	1	Lever,Support		
154	17425273	1	Plate,Cap		
155	17425274	1	Spring		
156	17425252	1	KEY,WOODRUFF		
157	17425204	1	Gasket		



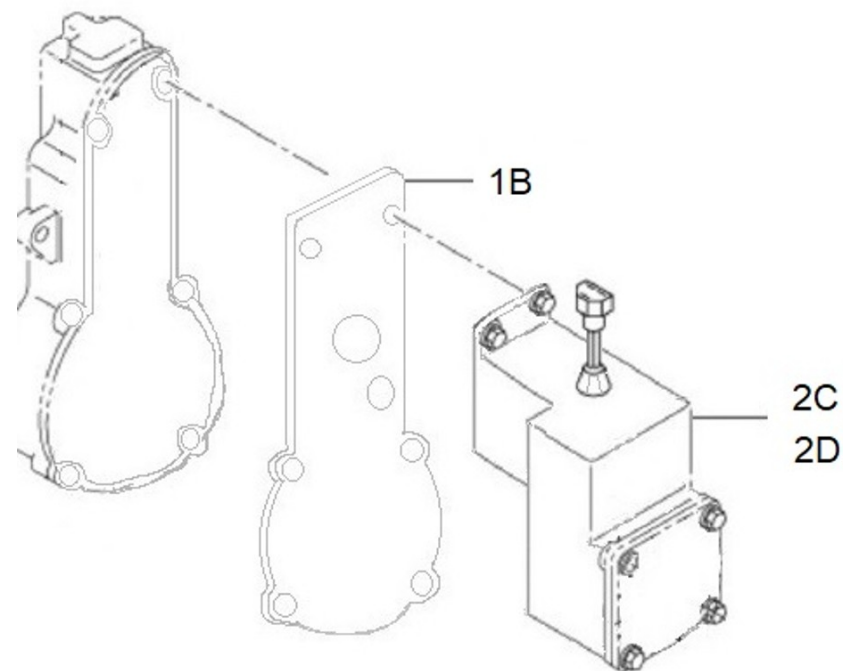
D_GH01_4_4 Governor Parts

Fig.	Ref.	Qty.	Descr.	Obs	From	UpTo
158	17425202	1	Gasket			
159	17425215	1	Nut,HEXAGON			
160	17225025	2	Washer, Pipe Union			
161	17425214	1	O-Ring			
162	17425297	2	Bolt,W/Washer			
163	17425210	1	Screw,Adjusting			



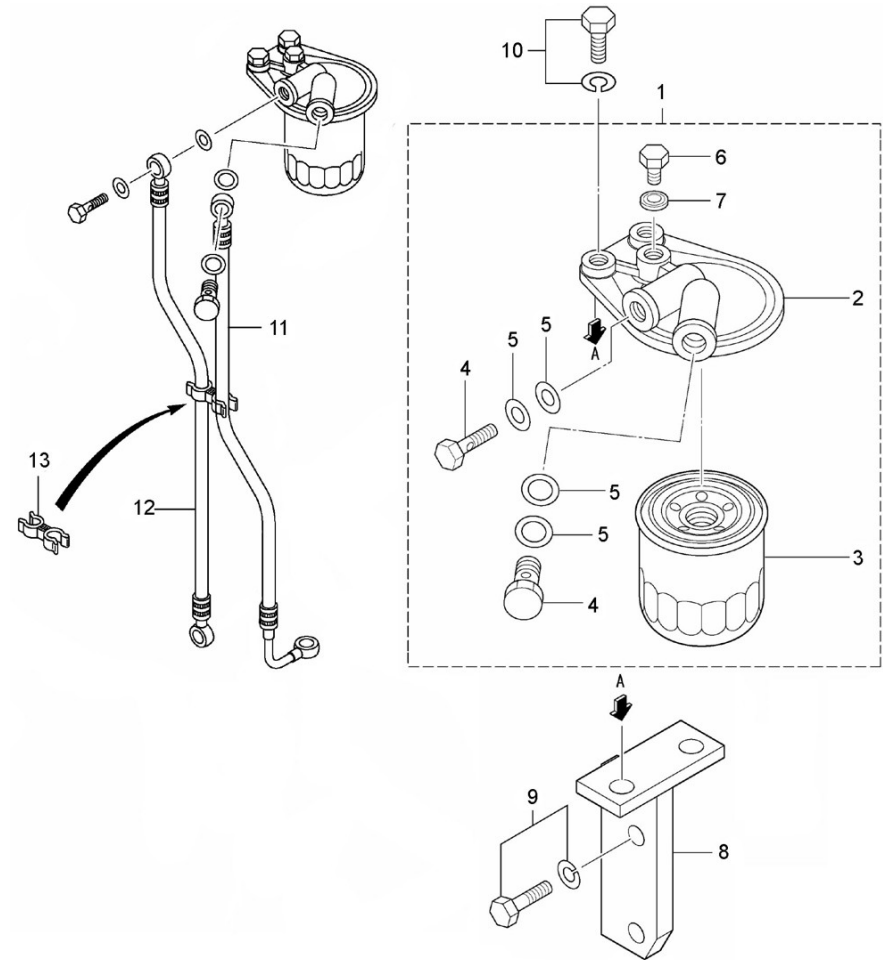
D_GH01_4_4B Parallel Governor

Fig.	Ref.	Qty.	Descr.	Obs	From	UpTo
1B	60972518	1	Assembly kit for 175 series actuator			
Figure b for Parallel System						
2C	60972516	1	G.A.C 175 Series 12V Integrated Actuator			
Figure C for Parallel System 12V						
2D	60972520	1	G.A.C. 175 Series 24V Integrated Actuat.			
Figure D for Parallel System 24V						



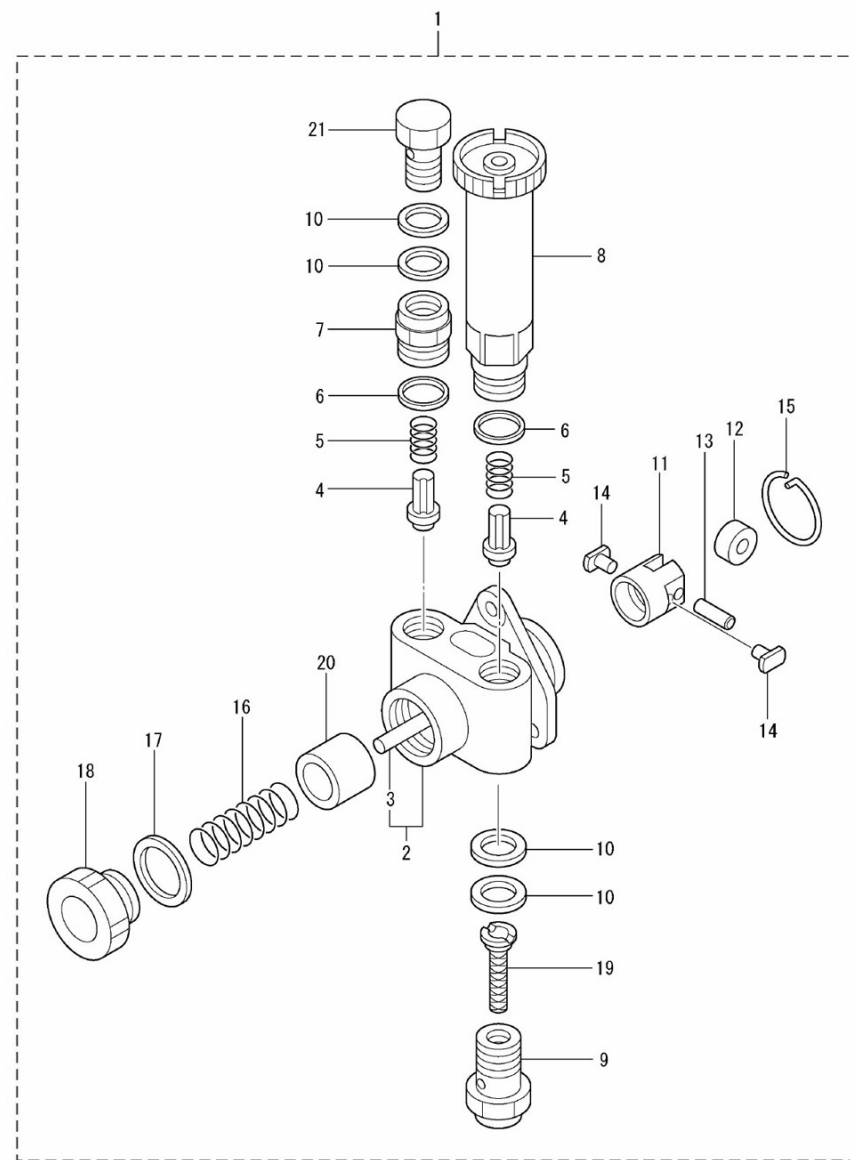
D_MI74_4_5 Fuel Filter

Fig.	Ref.	Qty.	Descr.	Obs	From	UpTo
1	17424020	1	Fuel Filter Assy			
2	17424001	1	Bracket,Fuel Filter			
3	17414022	1	Fuel Filter Element MINI-74 SM-105			
4	17424003	2	Bolt,EYE			
5	17424008	4	Washer,Sealing			
6	13324072	1	Plug			
7	13324011	1	Washer			
8	17424002	1	Bracket,Fuel Filter			
9	17121012	2	Bolt, w/washer			
10	17120062	2	Bolt,w/washer			
11	17424007	1	Hose,Fuel			
12	13324068	1	Hose			
13	17424026	1	Clamp,Pipe			



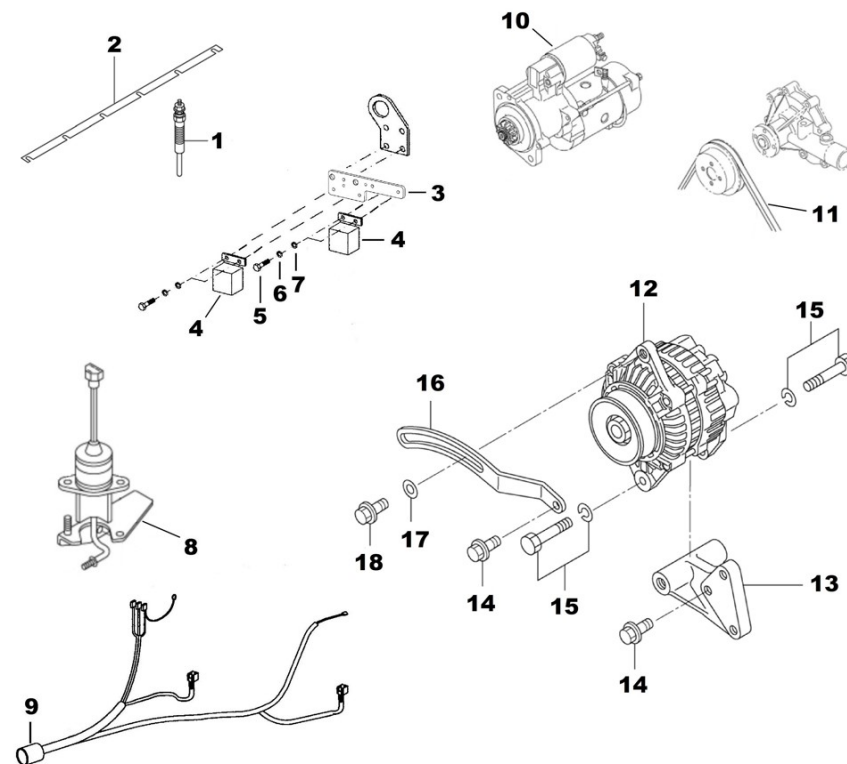
D_MI74_4_6 Feed Pump

Fig.	Ref.	Qty.	Descr.	Obs	From	UpTo
1	13325100	1	Pump Feed			
2	13325107	1	Housing Feed Pump			
3	13325120	1	ROD,PUSH			
4	13325106	2	Valve			
5	13325105	2	Spring			
6	13325104	2	Washer			
7	13325103	1	Support			
8	17425102	1	Pump S/Assy,PRIMING			
9	13325112	1	Screw, Racord			
10	17425106	4	Washer,Pipe Union			
11	13325115	1	Tappet			
12	13325118	1	Roller			
13	13325117	1	Pin,Roller			
14	13325116	2	Block			
15	13325119	2	Ring			
16	13325110	1	Spring			
17	13325109	1	Washer			
18	13325108	1	Plug			
19	13325113	1	Filter			
20	13325111	1	Piston			
21	17425105	1	Srew,Hollow			
NS	17425121	1	Seal,Oil			



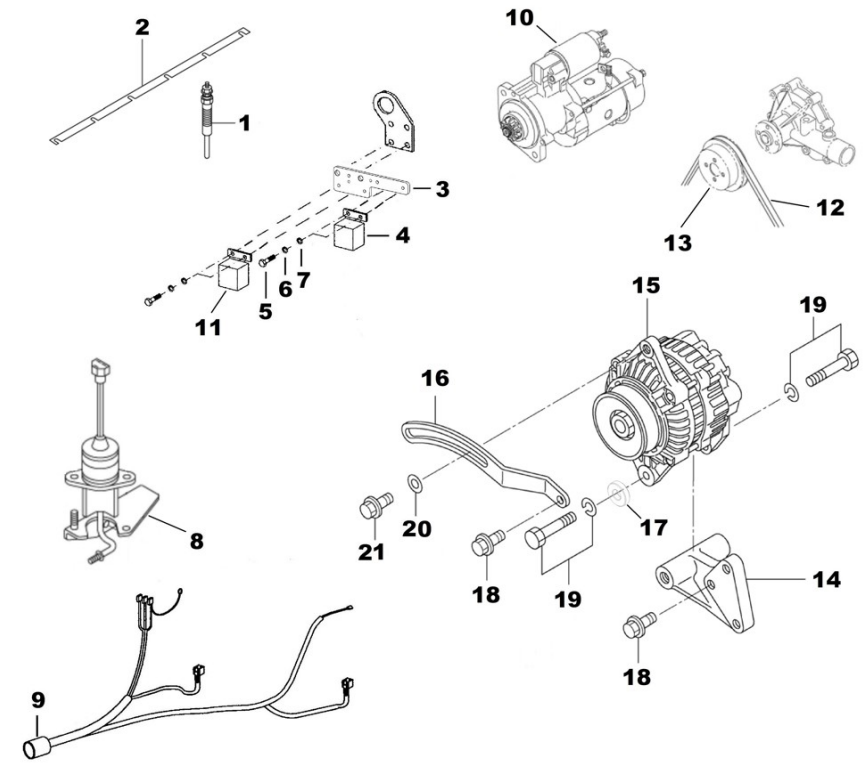
D_SM105GTST_05_1 Electrical System 12V

Fig.	Ref.	Qty.	Descr.	Obs	From	UpTo
1	17127017	6	Plug, glow			
2	17527018	1	Plate Glow Plug			
3	17417001	1	Support, Relay			
4	17527005	2	Relay 12V 200A			
5	52102154	4	Bolt DIN 933 M6-10 8.8			
6	51030006	4	Washer DIN 125-6			
7	53033006	4	Washer GROWER DIN 127-6			
8	17424025G	1	Solenoid			
9	60974504	1	MINI-74 Electrical Wiring Genset			
10	17527001G	1	Starter Assy 12 V			
11	17421028G	1	Belt Type BX 44 1160			
12	17427010G	1	Alternator 12V/50A			
13	17427002	1	Bracket,Alternator			
14	17425036	2	Bolt,Flange			
15	17420028G.1	2	Bolt,W/Washer (Generator)			
16	17427007	1	Plate,Adjusting			
17	17331008	1	Washer			
18	13827012	1	Bolt			



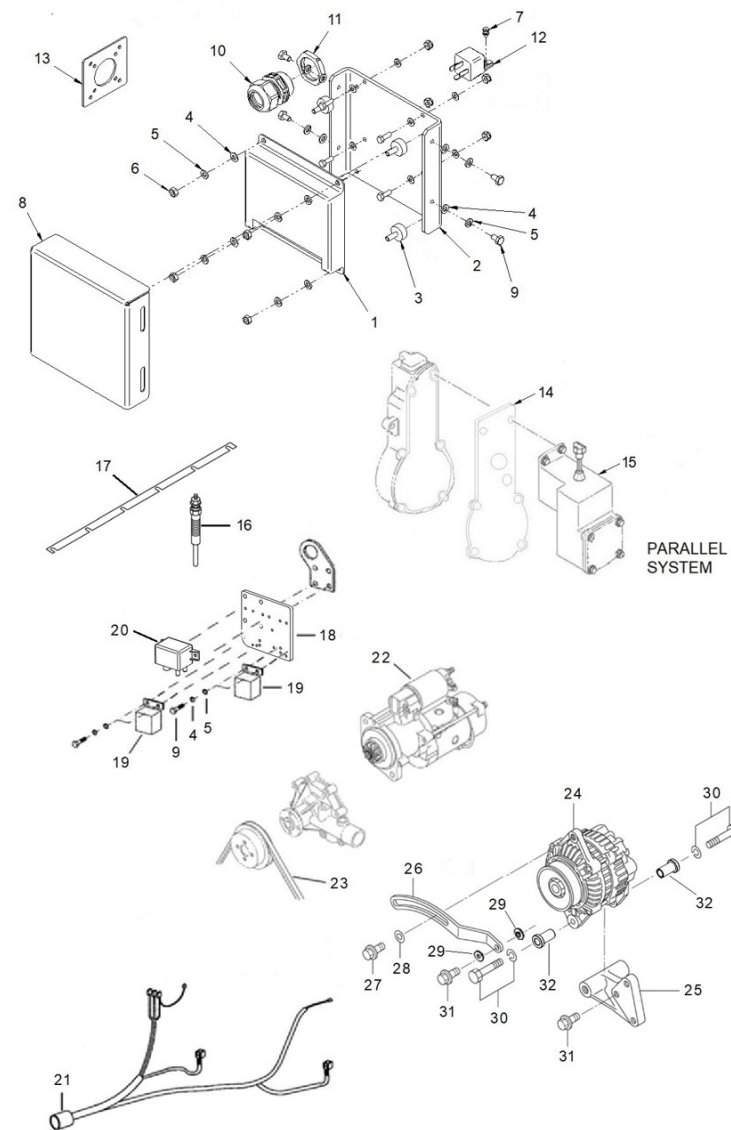
D_SM105GTST_05_2 Electrical System 24V

Fig.	Ref.	Qty.	Descr.	Obs	From	UpTo
1	17527017.2	6	Glow Plug 24V			
2	17527018	1	Plate Glow Plug			
3	17417001	1	Support, Relay			
4	17417005	1	Relay 24V 24-100			
5	52102154	4	Bolt DIN 933 M6-10 8.8			
6	51030006	4	Washer DIN 125-6			
7	53033006	4	Washer GROWER DIN 127-6			
8	17425264.2	1	Solenoid 24V			
9	60974504	1	MINI-74 Electrical Wiring Genset			
10	17527001.2	1	Starter Assy 24V			
11	17527006	1	Glow Relay 24V			
12	17421028G	1	Belt Type BX 44 1160			
13	17517011	1	Pulley			
14	17517012	1	Bracket			
15	17417024	1	Alternator 28V/55A			
16	17427007	1	Plate,Adjusting			
17	17117002	1	Spacer 8,5X20X5			
18	17425036	2	Bolt,Flange			
19	17420028G.1	2	Bolt,W/Washer (Generator)			
20	17331008	1	Washer			
21	13827012	1	Bolt			
NS	13527018	1	Connector Assy 2-			
NS	13827003	2	Connector			
NS	13827004	2	Connector			
NS	51031008	1	Washer DIN 9021 8			
NS	52102261	1	Bolt DIN 933 M8-40 8.8			
NS	52120008	1	Nut DIN 934 M8 8.8			
NS	53038008	1	Washer DIN 6798-A 8			
NS	60900063	2	Insulator Cap Faston 6.3			
NS	TFH.1M.6.3.08	4	Straight Receptacle 1 Sec. Faston			



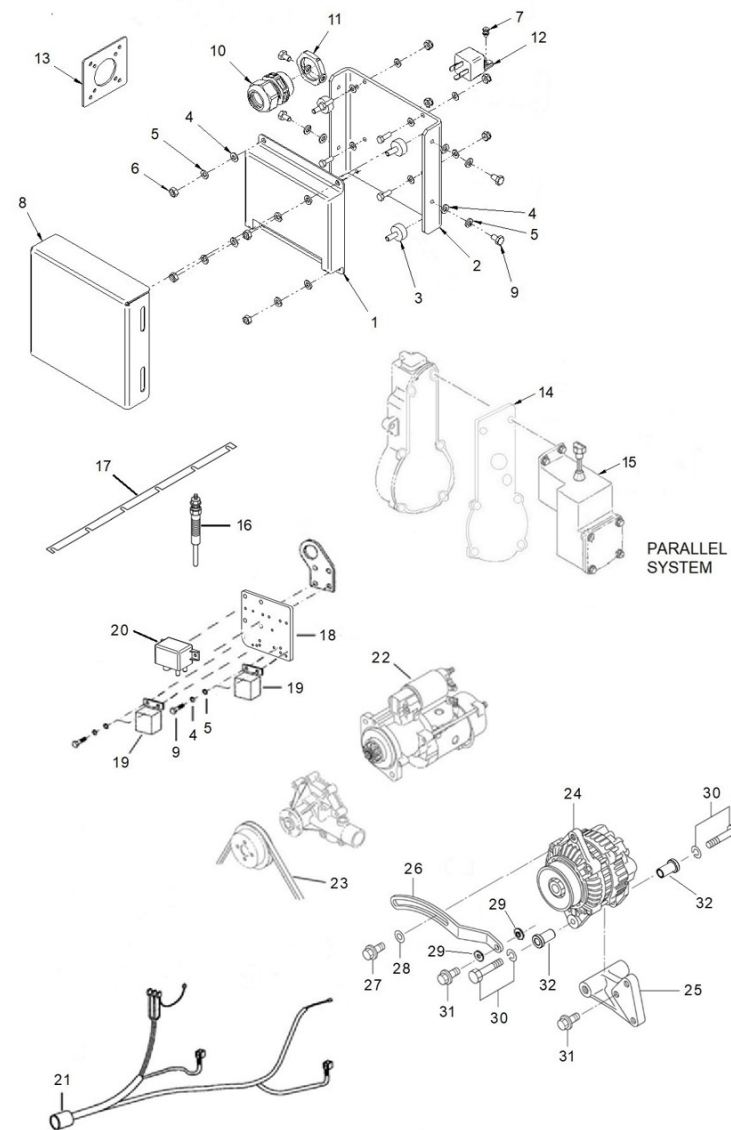
D_SM105GTST_05_3 Parallel Electrical System 12V

Fig.	Ref.	Qty.	Descr.	Obs	From	UpTo
1	60972521	1	Speed Control Unit G.A.C. ESD-5500 Ser.			
2	17317007	1	Electronic Unit Bracket			
3	17A14009	4	Anti Vibration Mount M6			
4	51030006	12	Washer DIN 125-6			
5	53033006	12	Washer GROWER DIN 127-6			
6	52120006	4	Nut DIN 934 M6 8.8			
7	52102156	1	Bolt DIN 933 M6-16 8.8			
8	17317008	1	Parallel electronic unit cover			
9	52102154	8	Bolt DIN 933 M6-10 8.8			
10	60900310	1	Connector Press CAPTOR-2000 M32 RAL7001			
11	60900311	1	Screw Connector Press Captor-2000 M32			
12	63900028	1	Relay 12V 20/30A NO+NC			
13	60573041.25G	1	Connector Adapter Parallel			
14	60972518	1	Assembly kit for 175 series actuator			
15	60972516	1	G.A.C 175 Series 12V Integrated Actuator			
16	17127017	6	Plug, glow			
17	17527018	1	Plate Glow Plug			
18	17417107	1	Support Relay,Plate			
19	17527005	2	Relay 12V 200A			
20	19017113	1	Relay 12V Earth Isolated Nagares			
21	60974203G	1	MINI-74 E. Wiring G.EARTH ISOLATED COMAP			
22	17527001G	1	Starter Assy 12 V			
23	17421028G	1	Belt Type BX 44 1160			
24	17427010G	1	Alternator 12V/50A			
25	17427002G.1	1	Alternator Bracket, Earth Isolated			
26	17427007.1	1	Plate,Adjusting			
27	13827012	1	Bolt			
28	17331008	1	Washer			
29	17117012	2	Tensor Bakelite Bushing			
30	17420028G.1	2	Bolt,W/Washer (Generator)			
31	17425036	2	Bolt,Flange			



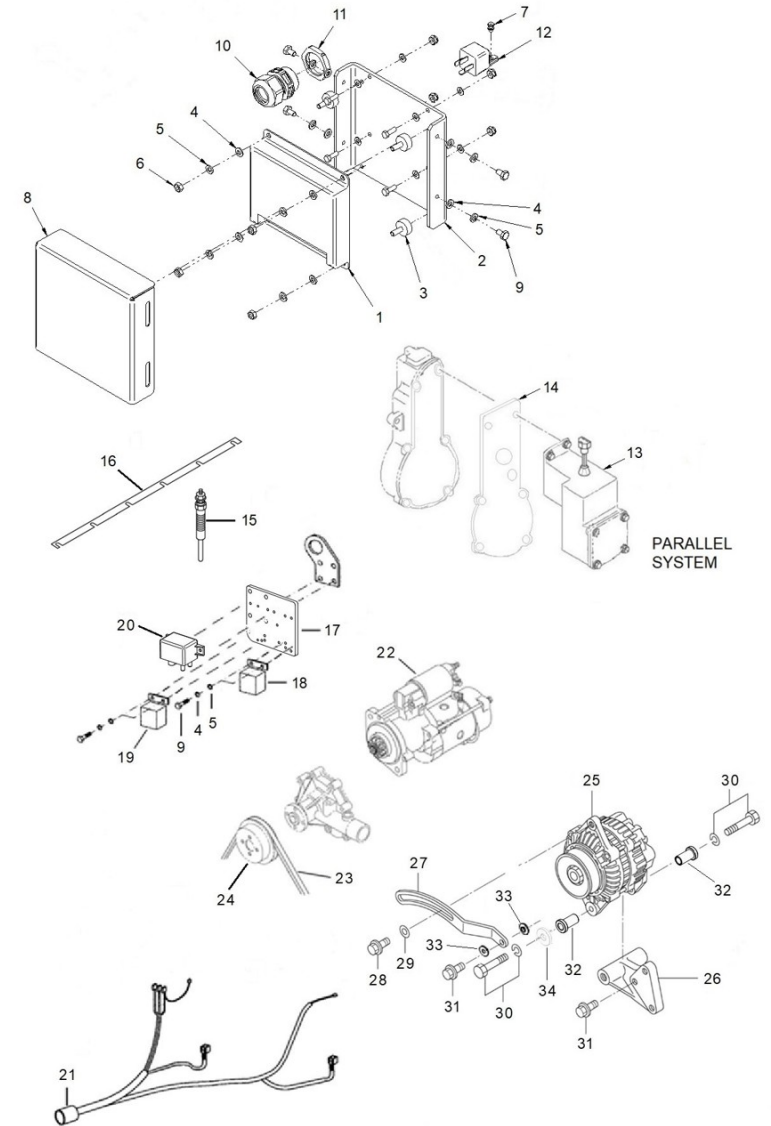
D_SM105GTST_05_3 Parallel Electrical System 12V

Fig.	Ref.	Qty.	Descr.	Obs	From	UpTo
32	17117011	2	Bracket Bakelite Bushing			
NS	51030008	4	Washer DIN 125-8			
NS	51030010	2	Washer DIN 125-10			
NS	52120010	1	Nut DIN 934 M10 8.8			
NS	56000069	1	Washer 14-20-1,5			
NS	56000073	2	Copper Washer 16-23-1,5			
NS	60900973	1	High Coolant, 2 Poles 95° SG			
NS	60900979	1	Earth Isolated Oil Press Switch 0.5 Bar M10x1 SG			
NS	60900983	1	Bipolar Temperature Sender SG			
NS	60900990	1	Sender, Oil Press 10 Bar Bipolar + Washer			
NS	60900999.1	2	Connection M14X1,5 5/8" EXA.19 L=25			
NS	60972517	1	Connector for actuator Packard type			
NS	60974205	1	35 GT/GTC Parallel Auxiliary Installation Mitsubishi			31/5/2023
NS	60974229	1	Auxiliary Installation Parallel Genset		01/06/2023	
NS	60975048	1	Mass Black To Wiring Start			



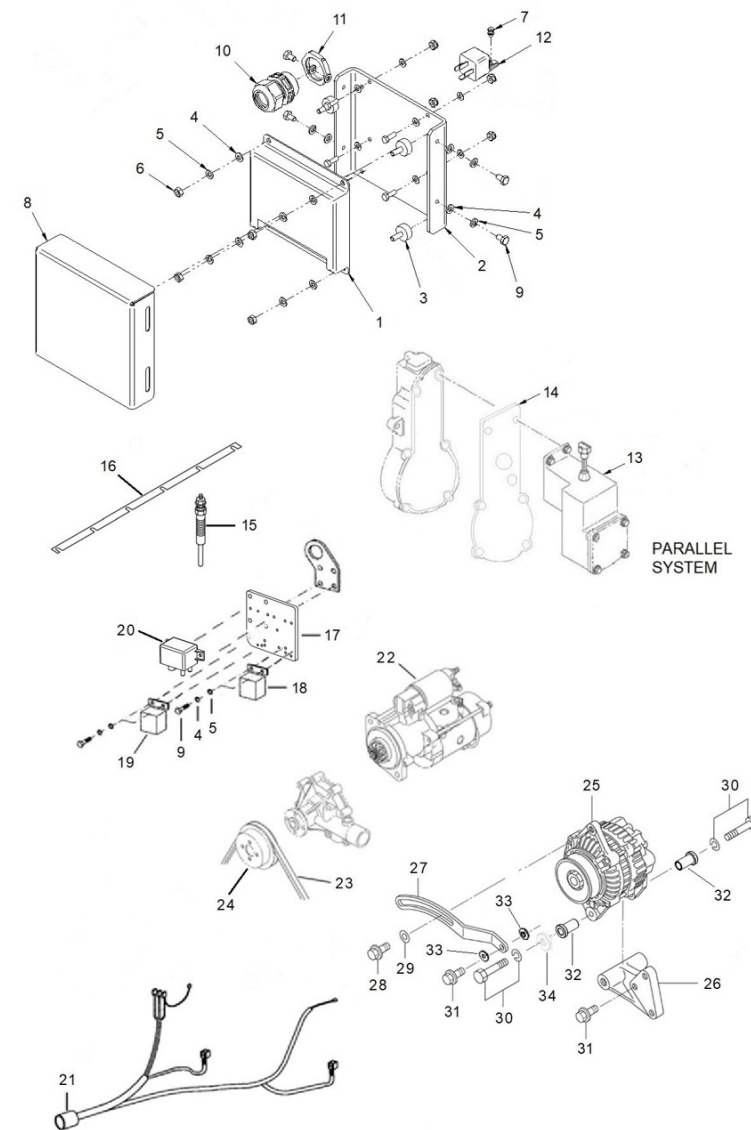
D_SM105GTST_05_4 Parallel Electrical System 24V

Fig.	Ref.	Qty.	Descr.	Obs	From	UpTo
1	60972521	1	Speed Control Unit G.A.C. ESD-5500 Ser.			
2	17317007	1	Electronic Unit Bracket			
3	17A14009	4	Anti Vibration Mount M6			
4	51030006	12	Washer DIN 125-6			
5	53033006	8	Washer GROWER DIN 127-6			
6	52120006	4	Nut DIN 934 M6 8.8			
7	52102156	1	Bolt DIN 933 M6-16 8.8			
8	17317008	1	Parallel electronic unit cover			
9	52102154	2	Bolt DIN 933 M6-10 8.8			
10	60900310	1	Connector Press CAPTOR-2000 M32 RAL7001			
11	60900311	1	Screw Connector Press Captor-2000 M32			
12	63900029	1	Relay 24V 10/20A NO+NC			
13	60972520	1	G.A.C. 175 Series 24V Integrated Actuat.			
14	17417005.1	1	Relay 24V 24-22A			
14	60972518	1	Assembly kit for 175 series actuator			
15	17527017.2	6	Glow Plug 24V			
16	17527018	1	Plate Glow Plug			
17	17417107	1	Support Relay,Plate			
18	17417005	1	Relay 24V 24-100			
19	17527006	1	Glow Relay 24V			
20	19017114	1	Relay 24V Earth Isolated Nagares			
21	60975203G	1	24V. SYStem Genset SM105 EARTH ISOLATED			
22	17527001.2	1	Starter Assy 24V			
23	17421028G	1	Belt Type BX 44 1160			
24	17517011	1	Pulley			
25	17417024	1	Alternator 28V/55A			
26	17427002.5	1	Alternator Bracket, Earth Isolated			
27	17427007G.2	1	Plate, Adjusting Generator - 2-PoleS			
28	13827012	1	Bolt			
29	17331008	1	Washer			
30	17420028G.1	2	Bolt,W/Washer (Generator)			



D_SM105GTST_05_4 Parallel Electrical System 24V

Fig.	Ref.	Qty.	Descr.	Obs	From	UpTo
31	17425036	2	Bolt,Flange			
32	17117011	2	Bracket Bakelite Bushing			
33	17117012	2	Tensor Bakelite Bushing			
34	17117002	1	Spacer 8,5X20X5			
NS	13527018	1	Connector Assy 2-			
NS	13827003	2	Connector			
NS	13827004	2	Connector			
NS	52102261	1	Bolt DIN 933 M8-40 8.8			
NS	52120008	1	Nut DIN 934 M8 8.8			
NS	53038008	1	Washer DIN 6798-A 8			
NS	56000069	1	Washer 14-20-1,5			
NS	56000073	2	Copper Washer 16-23-1,5			
NS	60900088	2	TERMINAL Female SUPERSEAL			
NS	60900089	2	SUPERSEAL male terminal			
NS	60900322	1	2 female channel connector SUPERSEAL			
NS	60900323	1	2 male channel connector SUPERSEAL			
NS	60900973	1	High Coolant, 2 Poles 95° SG			
NS	60900979	1	Earth Isolated Oil Press Switch 0.5 Bar M10x1 SG			
NS	60900983	1	Bipolar Temperature Sender SG			
NS	60900990	1	Sender, Oil Press 10 Bar Bipolar + Washer			
NS	60900999.1	2	Connection M14X1,5 5/8" EXA.19 L=25			
NS	60972517	2	Connector for actuator Packard type			
NS	60972519	1	Magnetic Speed Sensor			
NS	60974205	1	35 GT/GTC Parallel Auxiliary Installation Mitsubishi			31/05/2023
NS	60974229	1	Auxiliary Installation Parallel Genset		01/06/2023	
NS	60975048	1	Mass Black To Wiring Start			



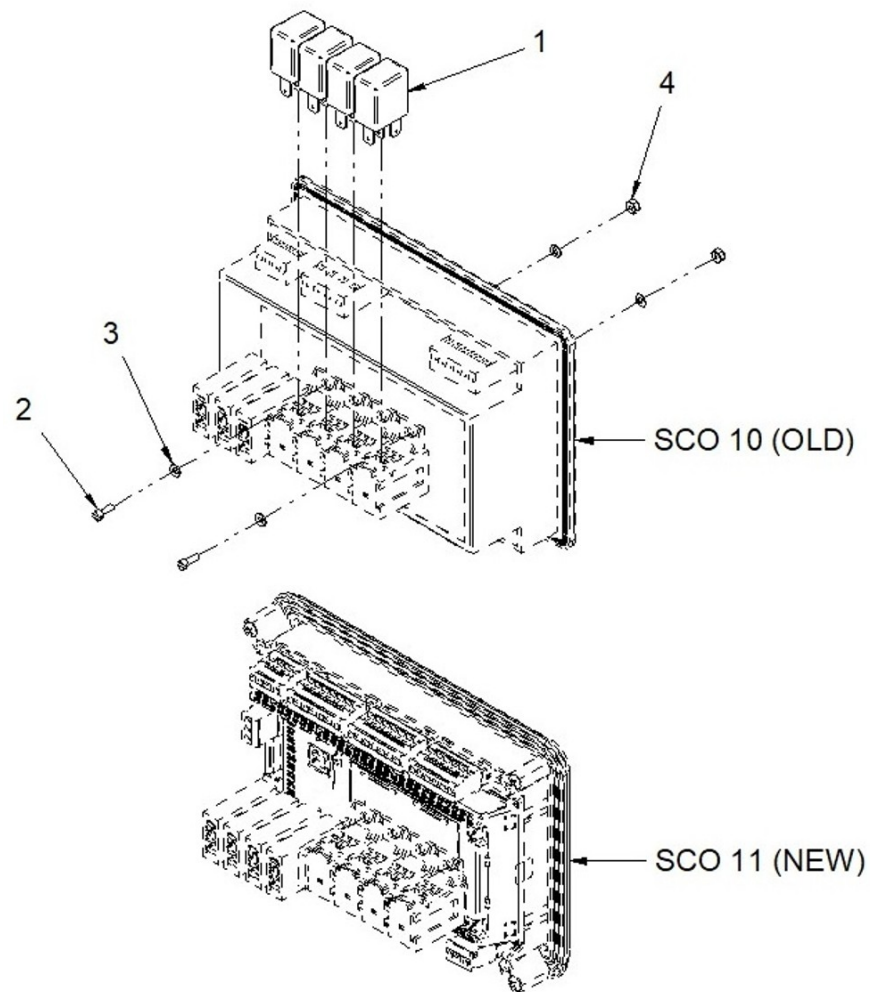
D_SM105GTST_05_5 Panels for Genset

Fig.	Ref.	Qty.	Descr.	Obs	From	UpTo
1A	62975230ST	1	Panel SCO 11 50 GTC ETR 12V 230V			
1B	62975230ST.2	1	Panel SCO 11 50 GTC ETR 24V 230V			
1C	62975240ST	1	Panel SCO 11 60 GTAC ETR 12V 240V			
1D	62975240ST.2	1	Panel SCO 11 60 GTAC 240V 24V			
1F	62975400.2S	1	Panel SCO 11 50 GTC ETR 24V 400/230V			
1G	62975400.2S.18	1	Panel SCO 11 60 GTAC ETR 24V 480/277V			
1H	62975400S	1	Panel SCO 11 50 GTC ETR 12V 400/230V			
1I	62975400S.18	1	Panel SCO 11 60 GTAC ETR 12V 480/277V			



D_PANELGRUPO1_01 Spare Parts List for Generator Panel

Fig.	Ref.	Qty.	Descr.	Obs	From	UpTo
1A	60900091	4	MICRO Relay 12V 12-20			
Figure A for 12V System						
1B	60900092	4	MICRO Relay 24V 24-10			
Figure b for 24V System						
2	54108003	2	Bolt DIN 84 M3-8 INOX.			
3	51030003	4	Washer DIN 125-3			
4	52120003	2	Nut DIN 934 M3 8.8			
NS	60972106	1	System Back Panel			
NS	60972124	1	SCO 10 Panel Screw Bracket			
NS	62900001	1	Rail Guide For Modular Micro Relay Holder - Fusible		31/03/2023	
NS	62972123	1	Electrical System Back Panel SCO 11			
NS	62972124	1	SCO 11 Pamel Screw Bracket			



D_SM105GTST_05_7 Electrical Box for Parallel

Fig.	Ref.	Qty.	Descr.	Obs	From	UpTo
1A	60975524	1	Kit Paral. 50 GT 400/230V Cont/Pow 12V			
1B	60975530	1	Kit Paral. 50 GT 400/230V Cont/Pow 24V			
1C	60975525	1	Kit Paral. 50 GT 230V Cont/Pow 12V			
1D	60975531	1	Kit Paral. 50 GT 230V Cont/Pow 24VV			
1E	60975540	1	Parallel Kit 60 GTA 480 / 277V Control and Power 12V			
1F	60975542	1	Kit 60 Parallel GTA 480 / 277V Control and Power 24V			
1G	60975544	1	Parallel Kit 60 GTA 240V Control and Power 12V			
1H	60975546	1	Parallel Kit 60 GTA 240V Control and Power 24V			



D_W1C1_1_1		Genset Extension				
Fig.	Ref.	Qty.	Descr.	Obs	From	UpTo
1A	60938210I	1	Genset Wiring Ext. 3 M. CPC			
1B	60985210I	1	Genset Wiring Ext. 4 M. CPC			
1C	60938221	1	Genset Wiring Ext. 6 M. CPC			
1D	60938212	1	Genset Wiring Ext. 8 M. CPC			
1E	60985210.12I	1	Genset Wiring Ext. 12 M. CPC			
1F	60985210.18I	1	Genset Wiring Ext. 18 M. CPC			
1G	60985210.24I	1	Genset Wiring Ext. 24 M. CPC			
1H	60985210.30I	1	Genset Wiring Ext. 30 M. CPC			
1I	60974552	1	3-way Wiring Wxtension for Auxiliary Kits 4 m			
1J	60900165	1	3-way Wiring Extension for Auxiliary Kits 6 m			
1K	60900166	1	3-way Wiring Extension for Auxiliary Kits 12 m			
1L	60900167	1	3-way Wiring Extension for Auxiliary Kits 24 m			
1M	60972104	1	Double Panel SCO 12 M. Harness			
1N	60972105	1	Double Panel SCO 24 M. Harness			
1O	60972110	1	Double Panel SCO 36 M. Harness			
1P	60972145	1	Double Panel SCO 45 M. Harness			



D_W1C1_1_2 Parallel Genset Extension

Fig.	Ref.	Qty.	Descr.	Obs	From	UpTo
1A	6097A223	1	Wiring extensions Electronic Actuator Genset SCO Pan		01/06/2023	
1B	6097A224	1	Wiring extensions Electronic Actuator Genset SCO Pan		01/06/2023	
1C	6097A221	1	Wiring Extension for Parallel Control and Power Gens		01/06/2023	
1D	6097A222	1	Wiring Extension for Parallel Control and Power Gens		01/06/2023	
1E	60974221	1	Wiring Extension 25/35/50/68 GT 6 m Electronic Actua			31/05/2023
1F	60974219	1	Wiring Extension 25/35/50/68 GT 12 m Electronic Actua			31/05/2023
1G	60974206	1	Wir.Ext. 25/35/50/68 GT Prep. Paral.6M			31/05/2023
1H	60974207	1	Wir.Ext. 25/35/50/68 GT Prep. Paral.12M			31/05/2023



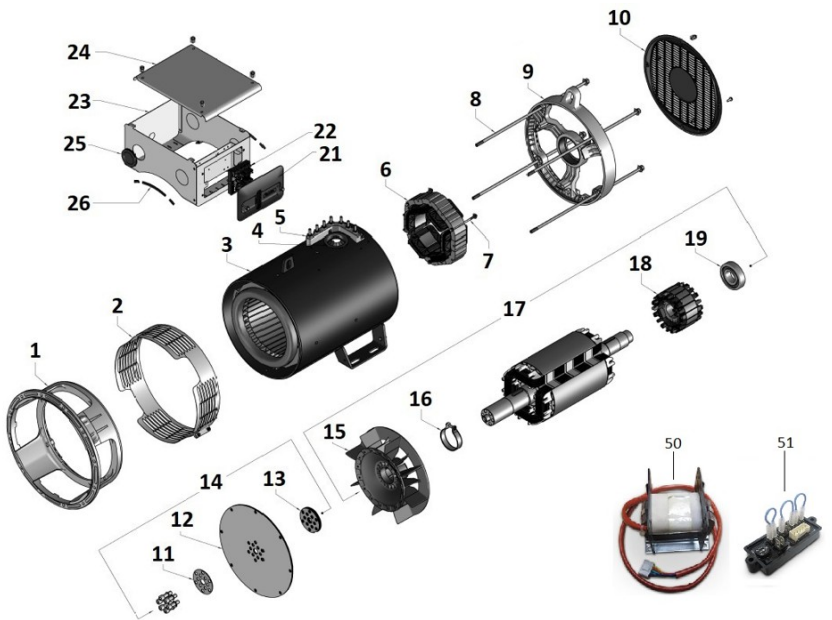
D_SM105GTST_06_1 Alternator 50 GT/GTC & 60 GTA/GTAC

Fig.	Ref.	Qty.	Descr.	Obs	From	UpTo
1A	605113050ZI6R	1	Alt.MECC.ALTE III 50KVA 400/230V C-TYPE (R)			
1B	605113050PI6R	1	Alt.MECC.ALTE III 50KVA 400/230V C-TYPE P (R)			
1C	605113050ZI2R	1	Alt.MECC.ALTE III 50 KVA 230V C-TYPE (R)			
1D	605113050PI2R	1	Alt.MECC.ALTE III 50 KVA 230V C-TYPE P (R)			
1E	605123060ZI5R	1	Alt.MECC.ALTE III 60 KVA 480/277V C-TYPE (R)			
1F	605123060PI2R	1	Alt.MECC.ALTE III 60 KVA 480/277VC-TYPE P (R)			
1G	605123060ZI4R	1	Alt.MECC.ALTE III 60 KVA 1800RPM 240V C-TYPE (R)			
1H	605123060PI3R	1	Alt.MECC.ALTE III 60 KVA 240V C-TYPE P (R)			
1I	605113050ZI4RCTC	1	Subst. Alt. MECC. Type B For Type C III 50KVA 1500 4			
1J	605113050ZI5RCTC	1	Subst. Alt. MECC. Type B For Type C III 50KVA 150023			
1K	605113050PI5RCTC	1	Subst. Alt. MECC. Type B For C III 50KVA 1500RPM 230			
1L	605113050PI4RCTC	1	Subst. Alt. MECC. Type B For C III 50KVA 1500400/230			
1M	605123060ZI3RCTC	1	Subst. Alt. MECC. Type B For Type C III 60KVA 1800 2			
1O	605123060ZI2RCTC	1	Subst. Alt. MECC. Type B For Type C III 60KVA 1800 4			
1P	605123060PI5RCTC	1	Subst. Alt. MECC. Type B For C III 60KVA 1800RPM 240			
1Q	605123060PI4RCTC	1	Subst. Alt. MECC. Type B For C III 60KVA 1800 480/27			



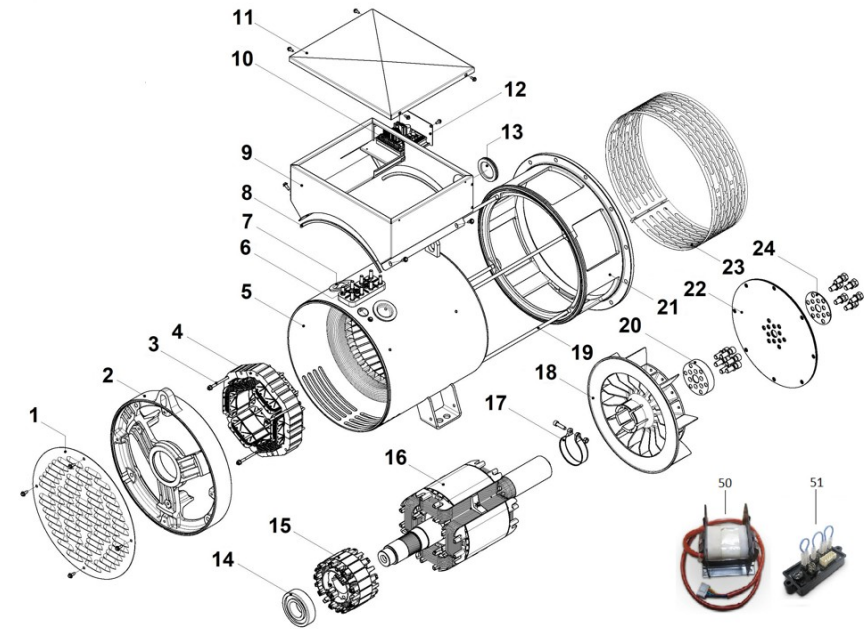
D_605113050Zi6 Alternator Spare Parts TYPE C From 30/12/2021

Fig.	Ref.	Qty.	Descr.	Obs	From	UpTo
1	605113050Zi6.1	1	Drive End Bracket			
2	605113050Zi6.2	1	Protection Screen			
3	605113050Zi6.3	1	Frame and Stator			
4	605113050Zi6.4	1	Cable Grommet diam. 70 mm			
5	605113050Zi6.13	1	Kit Terminal Board 7			
6	605113050Z4.4	1	Exciter Stator H-45 6P			
7	605113050Zi6.6	1	Exciter Stay Bolt H-45			
8	605113050Zi6.7	1	Cover Stay Bolt			
9	605113075Zi2.3	1	Non Drive end Bracket			
10	605113050Zi6.9	1	Rear Seal			
11	605113050Z4.23	1	Disc Bloking Ring-Spacer			
12	605113050Zi6.10	1	Disc SAE 11,5			
13	605113050Z4.19	1	Ring Spacer Vol. 8 - 10			
14	605113050Z4.21	1	Kit Coupling Disc Plates SAE 11,5			
15	605113050Z4.17	1	Plastic Fan			
16	605113050Z4.16	1	Clamp			
17	605113050Zi6.11	1	Rotor Assy			
18	605113050Zi6.12	1	Exciter Armature H-45 6P (+ Diodes T30)			
19	605113050Z4.13	1	Rear Bearing 6309-2RS C3			
21	M9909505310	1	Regulator Cap			
22	60500023.1	1	Electronic Regulator DSR			
23	M7510603373	1	Terminal Box			
24	M9903910114	1	Terminal Box Lid			
25	605113050Z4.12	1	Cable Grommet			
26	19620078	1	Rubber Profile EPDM 0,54m			
50	60511386P	1	PD500 Parallel Device			
51	60511387P	1	PD-I Parallel Device			



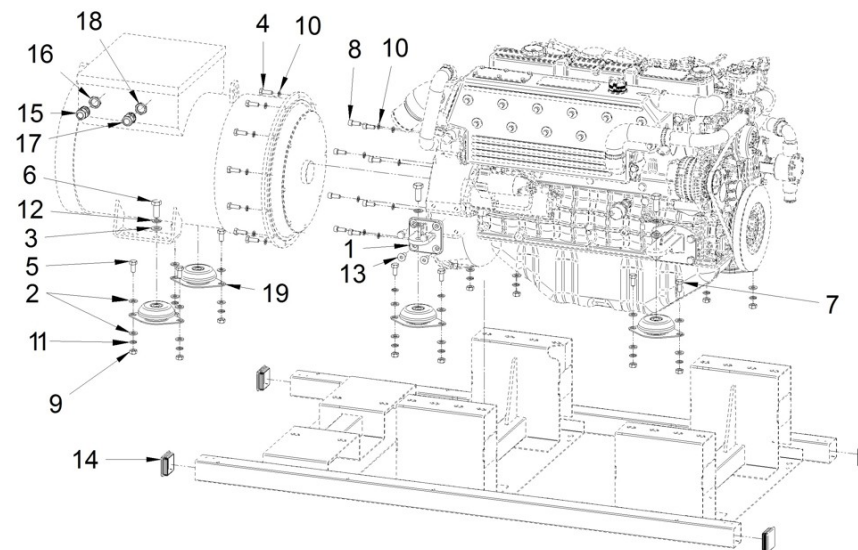
D_605113050Z4 Spare Part List Alternator Type B Upto 29/12/2021

Fig.	Ref.	Qty.	Descr.	Obs	From	UpTo
1	605113050Z4.1	1	Rear Seal			
2	605113050Z4.2	1	Non Drive End Bracket			
3	605113050Z4.3	2	Exciter Stay Bolt H-45 (S, M)			
4	605113050Z4.4	1	Exciter Stator H-45 6P			
5	605113050Z4.5	1	Frame and Stator 1M			
6	605113050Z4.6	1	Terminal Board 8 pin			
7	605113050Z4.7	1	Cable Grommet			
8	605113050Z4.8	2	PVC Rubber Profile			
9	605113050Z4.9	1	Terminal Box (Not Painted)			
10	60500023.1	1	Electronic Regulator DSR			
11	605113050Z4.10	1	Terminal Box Lid (Not Painted)			
12	605113050Z4.11	1	Regulator Holding Panel (Not Bainted)			
13	605113050Z4.12	1	Cable Grommet			
14	605113050Z4.13	1	Rear Bearing 6309-2RS C3			
15	605113050Z4.14	1	Exciter Armature H-45 6P			
16	605113050Z4.15	1	Rotor Assy 1M, MD35			
17	605113050Z4.16	1	Clamp			
18	605113050Z4.17	1	Plastic Fan			
19	605113050Z4.18	1	Cover Stay Bolt 32 M			
20	605113050Z4.19	1	Ring Spacer Vol. 8 - 10			
21	605113050Z4.20	1	Drive end bracket MD35/3			
22	605113050Z4.21	1	Kit Coupling Disc Plates SAE 11,5			
23	605113050Z4.22	1	Protection Screen MD35			
24	605113050Z4.23	1	Disc Bloking Ring-Spacer			
50	60511386P	1	PD500 Parallel Device			
51	60511387P	1	PD-I Parallel Device			
NS	605113050Z4.24	1	Kit Terminal Box Painted (2+20+75b+98+17)			
NS	605113050Z4.25	1	Kit USB2DxR			
NS	60511320.1.11	1	Diode			



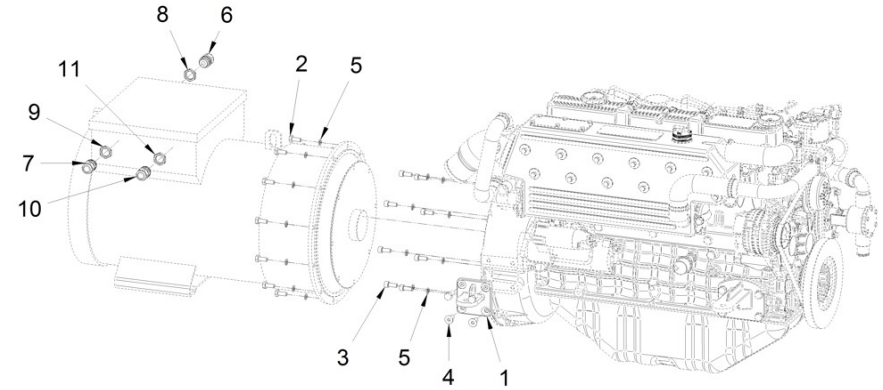
60575105 Kit Alt. MECC ALTE Tri. (S)

Fig.	Ref.	Qty.	Descr.	Obs	From	UpTo
1	17510003	2	REAR Bracket			
2	51030012	24	Washer DIN 125-12			
3	51030016	6	Washer DIN 125-16			
4	52102309	12	Bolt DIN 933 M10-30 8.8			
5	52102358	12	Bolt DIN 933 M12-25 8.8			
6	52102459	2	Bolt DIN 933 M16-30 8.8			
7	52102461	6	Bolt DIN 933 M16-40 8.8			
8	52103308	8	Bolt DIN 912 M10-25 8.8			
9	52120012	12	Nut DIN 934 M12 8.8			
10	53033010	20	Washer GROWER DIN 127-10			
11	53033012	12	Washer Grower DIN 127-12			
12	53033016C	6	Washer			
13	53105359	4	Bolt DIN 7991 M12-30 12.9			
14	60539019	4	LID (60 Tube)			
15	60900306	1	Connector Press CAPTOR-2000 M25 RAL7001			
16	60900309	1	Screw Connector Press Captor-2000 M25			
17	60900310	1	Connector Press CAPTOR-2000 M32 RAL7001			
18	60900311	1	Screw Connector Press Captor-2000 M32			
19	61674001	6	Engine Mount Type F 40 SHA M16 H 41			
19	61674007	6	Engine Mount Type F BRB 110 A40 SHA M16 H 41			
NS	60900159	1	Tubular Terminal			
NS	TR.1.5.8	4	Ring Terminal 1.5 Sec.			



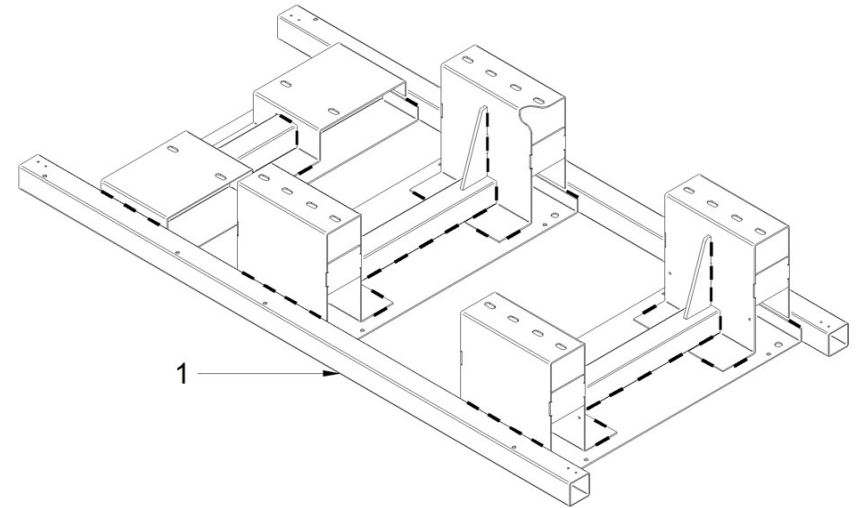
60575061 Kit Alt. MECC ALTE Tri. (C)

Fig.	Ref.	Qty.	Descr.	Obs	From	UpTo
1	17510003	2	REAR Bracket			
2	52102309	8	Bolt DIN 933 M10-30 8.8			
3	52103308	8	Bolt DIN 912 M10-25 8.8			
4	52105357	4	Bolt DIN 7991 M12-20 10.9			
5	53033010	20	Washer GROWER DIN 127-10			
6	60900304	1	Coneector Press PA Grey IP68 M16			
7	60900306	1	Connector Press CAPTOR-2000 M25 RAL7001			
8	60900307	1	Screw Connector Press PA Grey IP68 M16			
9	60900309	1	Screw Connector Press Captor-2000 M25			
10	60900310	1	Connector Press CAPTOR-2000 M32 RAL7001			
11	60900311	1	Screw Connector Press Captor-2000 M32			
NS	60900510	1	Emergency Stop PUSH BOTTOM			
NS	60900511	1	Stop PUSH BOTTOM Body			
NS	60974072A	1	Inst. Alt. To N Blue Breaker Sec. 16 - 800mm			
NS	60974072G	1	Inst. Alt. To "W" Gray Breaker Sec. 16 - 800mm			
NS	60974072M	1	Inst. Alt. To "V" Brown Breaker Sec. 16 - 800mm			
NS	60974072N	1	Inst. Alt. To "U" Black Breaker Sec. 16 - 800mm			
NS	60974075	1	Fan Installation			
NS	60974076	1	Kit Fan Installation			
NS	60975085	1	FOUR PoleS 63A Disconnecter			



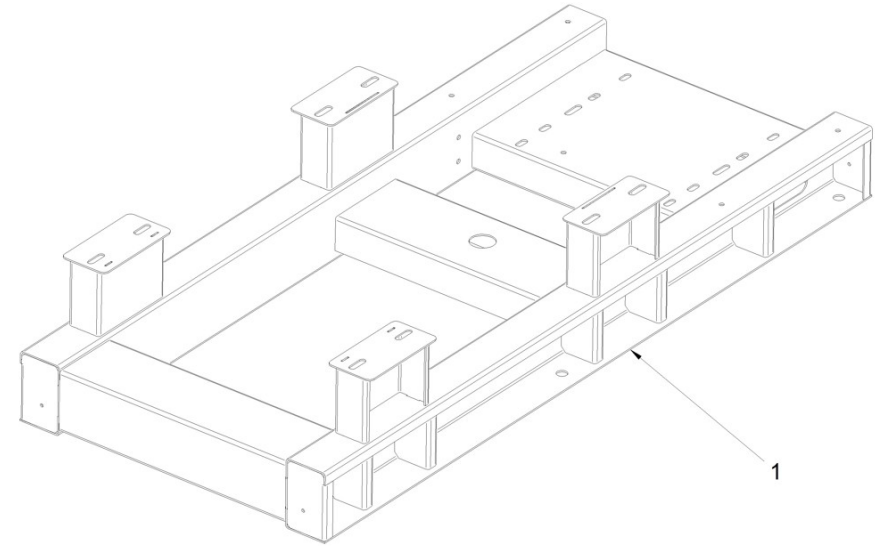
D_60575047.01 Genset Chassis

Fig.	Ref.	Qty.	Descr.	Obs	From	UpTo
1	60575047.01	1	Genset Chasis			

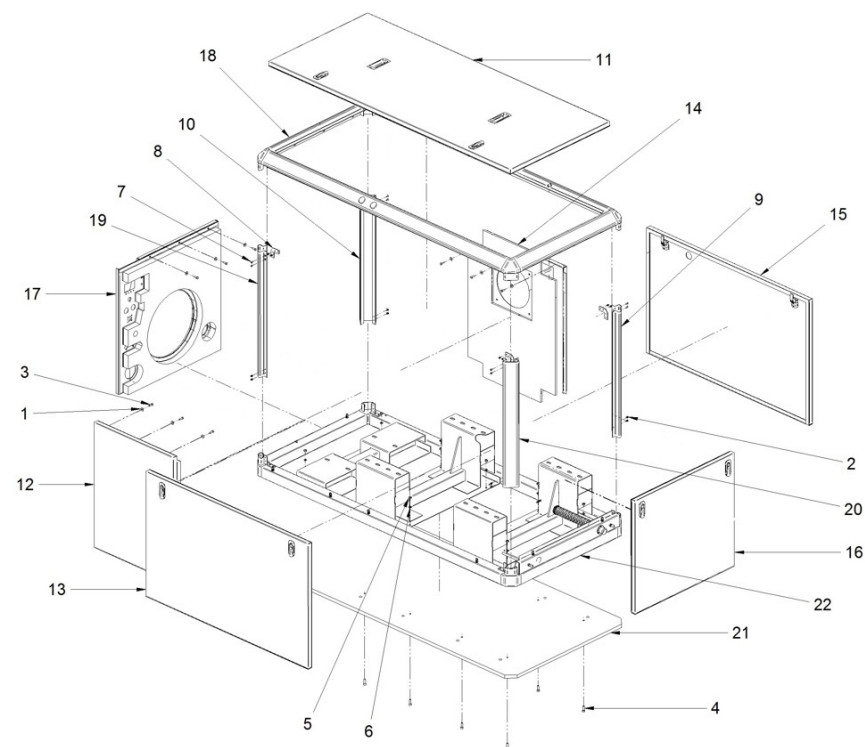


D_6057A020 SM-81 Engine Bed

Fig.	Ref.	Qty.	Descr.	Obs	From	UpTo
1	6057A020	1	SM-81 Engine Bed			

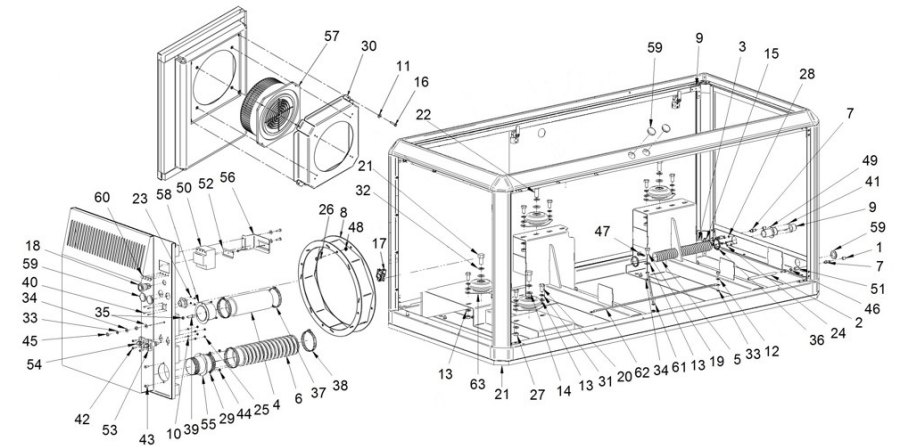


D_AF01_4_1		Cabin				
Fig.	Ref.	Qty.	Descr.	Obs	From	UpTo
1	51031006	15	Washer DIN 9021 6			
2	51058054	22	Aluminium Rivet 4.0 X 10			
3	52102157	12	Bolt DIN 933 M6-20 8.8			
4	52103258	10	Bolt DIN 912 M8-25 8.8			
5	52120008	10	Nut DIN 934 M8 8.8			
6	53033008	10	Washer GROWER DIN 127-8			
7	53105104	8	Bolt DIN 7991 M5-10 12.9			
8	60573041.43	4	L Fastening Bracket			
9	60575041.03	1	VERTICAL BAR			
10	60575041.04	1	VERTICAL BAR			
11	60575041.20	1	Upper Panel			
12	60575041.21A	1	LEFT Side Panel FIXED			
13	60575041.21B	1	LEFT Side Panel MOBILE			
14	60575041.22A	1	Out Side Air Panel FIXED			
15	60575041.22B	1	RIGHT Side Panel MOBILE			
16	60575041.24	1	FrontAL Panel			
17	60575041.25	1	Back Panel			
18	60575041.30	1	Upper FRAME			
19	60575041.31	1	VERTICAL BAR			
20	60575041.32	1	VERTICAL BAR			
21	60575047.10	1	Baseboard			
22	60575047.61	1	Bottom Frame			



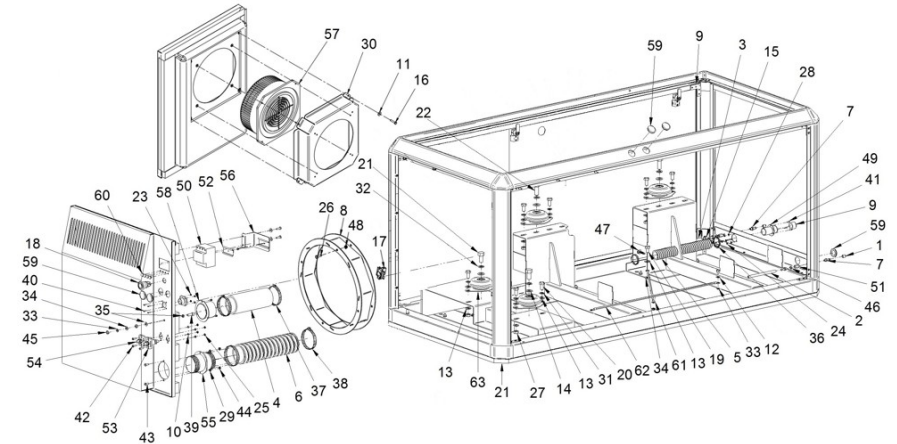
D_SM105GTST_09_2 Cabin Kit

Fig.	Ref.	Qty.	Descr.	Obs	From	UpTo
1	CAP.FLEXI0077	2	Rubber Cap D. 7.7 X 13			
2	M80501006	1.0	Hose D.10-6			
3	M81510817	1.0	Fuel Hose D. 8-17			
4	M81517083	1.0	Air Suction Hose D. 70-85			04/03/2024
4	M88577000	1.0	Air Aspiration Hose D. 70		04/03/2024	
5	M87503242	0.0	Water Intake Hose (HQ) D. 32-42			
6	M88507587	1.0	Exhaust Hose D. 76			
7	13814072	4	Straight Hose Connector 1/8" NPTF			
8	60575041.25G	1	Spacer Ring		01/01/2022	
9	60573041.43	4	L Fastening Bracket			
10	51030005	4	Washer DIN 125-5			
11	51031006	11	Washer DIN 9021 6			
12	51030008	21	Washer DIN 125-8			
13	51030012	25	Washer DIN 125-12			
14	51030016	6	Washer DIN 125-16			
15	51086015	2	One Ear Clamp With Interior Ring 13-15,3			
16	52102159	4	Bolt DIN 933 M6-30 8.8			
17	60900511	1	Stop PUSH BOTTOM Body			
18	60900510	1	Emergency Stop PUSH BOTTOM			
19	52102357	1	Bolt DIN 933 M12-20 8.8			
20	52102358	12	Bolt DIN 933 M12-25 8.8			
21	60575047.10	1	Baseboard			
22	52102461	6	Bolt DIN 933 M16-40 8.8			
23	52120003	4	Nut DIN 934 M3 8.8			
24	52120004	3	Nut DIN 934 M4 8.8			
25	52120005	4	Nut DIN 934 M5 8.8			
26	52102157	15	Bolt DIN 933 M6-20 8.8			
27	52120012	12	Nut DIN 934 M12 8.8			
28	53033005	7	Washer GROWER DIN 127-5			
29	53033006	2	Washer GROWER DIN 127-6			
30	6057A041.23B	1	Air Outlet Aluminium Sheet Box		01/01/2022	



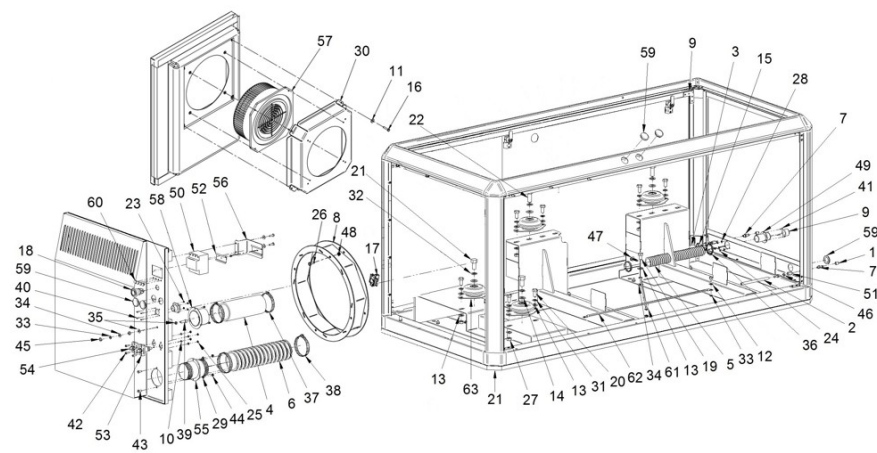
D_SM105GTST_09_2 Cabin Kit

Fig.	Ref.	Qty.	Descr.	Obs	From	UpTo
31	53033012	12	Washer Grower DIN 127-12			
32	53033016C	6	Washer			
33	53038008	4	Washer DIN 6798-A 8			
34	53038012	1	Washer DIN 6798-A 12			
35	54030008	3	Washer DIN 125-8 INOX.			
36	54082025	2	Clamp DIN 3017 25-40/12 W4			
37	54083079	2	GP Clamp 68-73 W4 STC		04/03/2024	
37	54083085	2	GP Clamp 79-85 W4 STC			04/03/2024
38	54083091	2	GP Clamp 85-91 W4 STC			
39	54103258	1	Bolt DIN 912 M8-25 INOX.			
40	54118004	4	Bolt DIN 7985 M3-10 INOX			
41	54118054	3	Bolt DIN 7985 M4-10 INOX			
42	54118106	4	Bolt DIN 7985 M5-16 INOX			
43	54118156	2	Bolt DIN 7985 M6-16 INOX			
44	54120006	2	Nut DIN 934 M6 INOX			
45	54120008	2	Nut DIN 934 M8			
46	57000361	2	Washer 10-14-1,5			
47	58018160	4	Screw			
48	51123006	4	Nut DIN 985 M6 5.6		01/01/2022	
49	60571015	1	Sea Water Wall PASS			
50	60975085	1	FOUR PoleS 63A Disconnecter			
51	60573041.39	2	ROD Coupling 1/8 BSP			
52	60573041.64	1	Switch Disconnecter Omega Bracket			
53	60573047	1	Battery Plug IN			
54	60573048	1	Battery Plug IN			
55	60574024	1	Exhaust Wall PASS 75			
56	60574043.42	1	Switch Disconnecter Bracket			
57	60574044.1	1	Fan HJEM 20 M4 (CASALS)			29/12/2021
57	6057B050	1	Centrifugal Fan PSB 230V		01/01/2022	
58	60575041.46	1	D70 Tube			
59	60900508	5	Shutter 31			

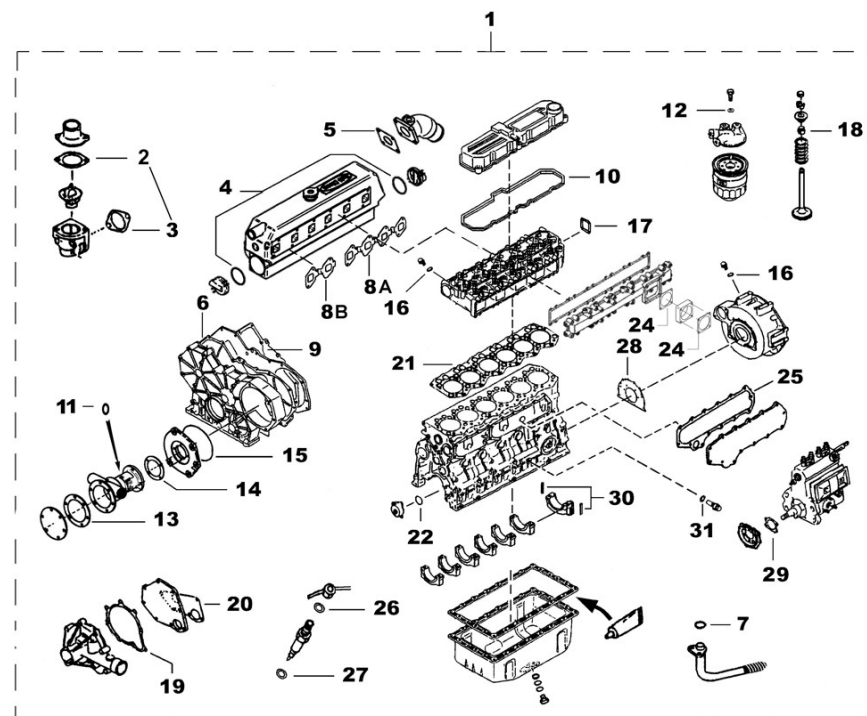


D_SM105GTST_09_2 Cabin Kit

Fig.	Ref.	Qty.	Descr.	Obs	From	UpTo
60	60900509	4	Shutter 6			
61	60975073	1	CHASSIS 0,5 M. TO MOTOR Wiring GROUND			
62	60972074	1	0,44 M. Back Panel To Alt. Wiring Ground			
63	61674001	6	Engine Mount Type F 40 SHA M16 H 41			
63	61674007	6	Engine Mount Type F BRB 110 A40 SHA M16 H 41			
NS	58088282	4	Pastic Cable Zip Tie	[NS]		
NS	58088284	12	Pastic Cable Zip Tie	[NS]		
NS	60971030	1	Positive Battery RED Wiring Sec. 50 mm - 1.75 m	[NS]		
NS	60971031	1	Positive Battery Black Wiring Sec. 50 mm - 1.4 m	[NS]		
NS	60972090	2	TER. PROTECTIVE 20 RED	[NS]		
NS	60972091	2	TER. PROTECTIVE 20 BLACK	[NS]		
NS	60994045	1	Ter. Protective 32 Red	[NS]		

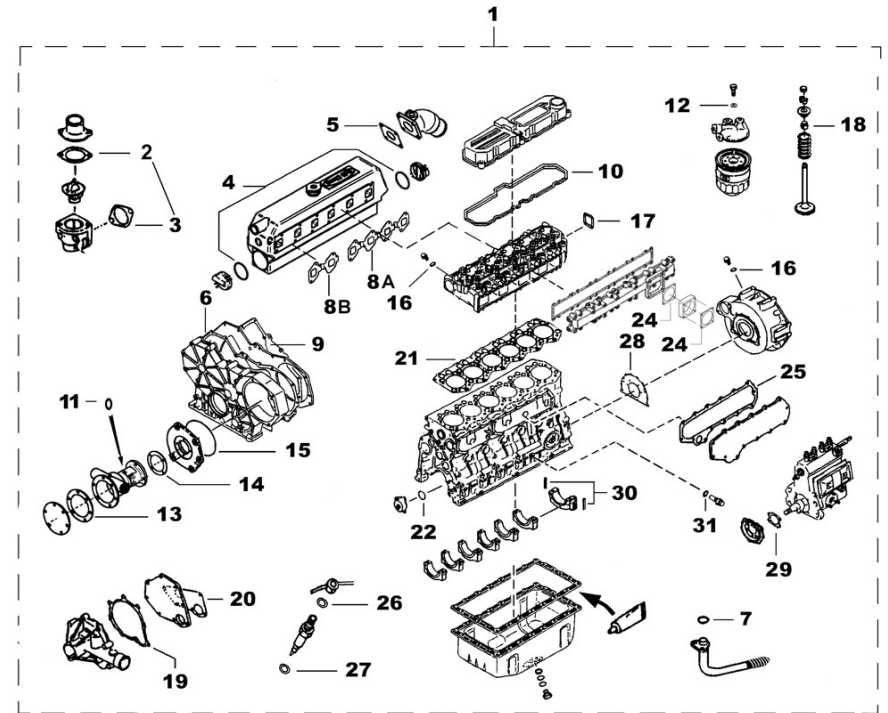


D_17520101		Gasket Kit			
Fig.	Ref.	Qty.	Descr.	Obs	From UpTo
1	17520101	1	Gasket Kit		
2	17111021	2	Gasket		
3	13321014	1	Gasket		
4	18011008	2	O-Ring D. 72X3		
5	16513002	1	Exhaust Elbow Gasket		
6	17420040	1	Gasket,Gear		
7	17424060	1	O-Ring D. 22X2,4		
8A	17421035	1	Gasket,Exhaust Manifold		
8B	17521035	1	Gasket		
9	17420018	1	Gasket,Front Plate		
10	17521010	1	Gasket,Rocker Cover		
11	33311013	1	O-Ring D. 15X2		
12	13324011	1	Washer		
13	34711003	1	Gasket Cover		
14	13310013	1	Gasket,water pump		
15	17420047	2	O-Ring D. 140X2		
16	17121013	2	Gasket		
17	17421011	1	Gasket		
18	17422054	12	Seal,Valve Stem		
19	17421022	1	Gasket,Pump Cover		
20	17421041	1	Gasket,Side Cover		
21	17521004	1	Cylinder Head Gasket		
22	17424055.1	1	O-Ring		
23	17521032	1	Gasket,IN.MANIFOld		
24	17421042	2	Gasket		
25	17524062	1	Gasket,Side Cover		
26	17424025G.1	6	Gasket Fuel Return (Genset)		
27	13824013	6	Injector Washer		
28	17420025	1	Gasket,Rear		
29	17425028	1	Gasket		
30	17420112	2	Seal,Valve		



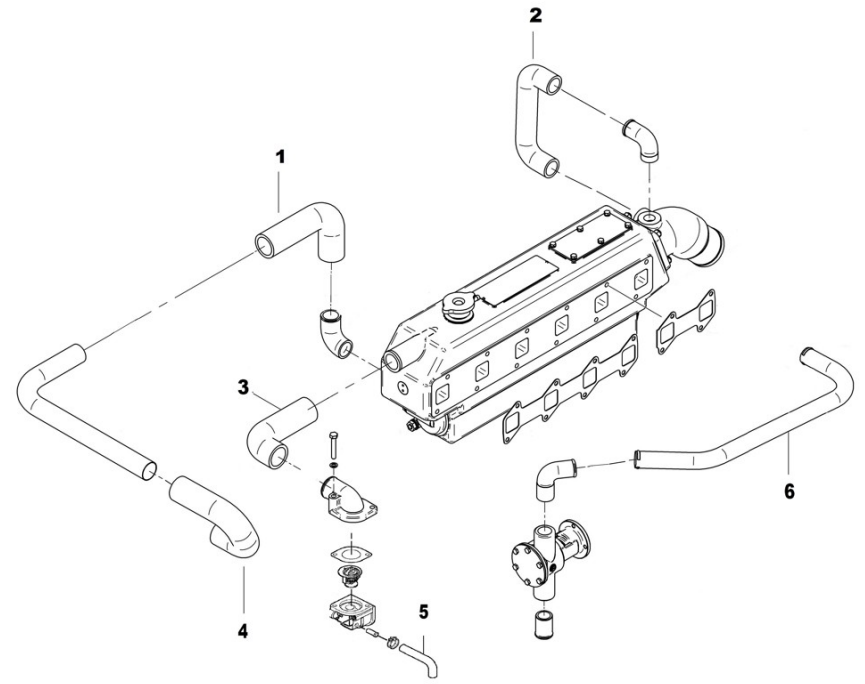
D_17520101 Gasket Kit

Fig.	Ref.	Qty.	Descr.	Obs	From	UpTo
31	17424008	10	Washer,Sealing			



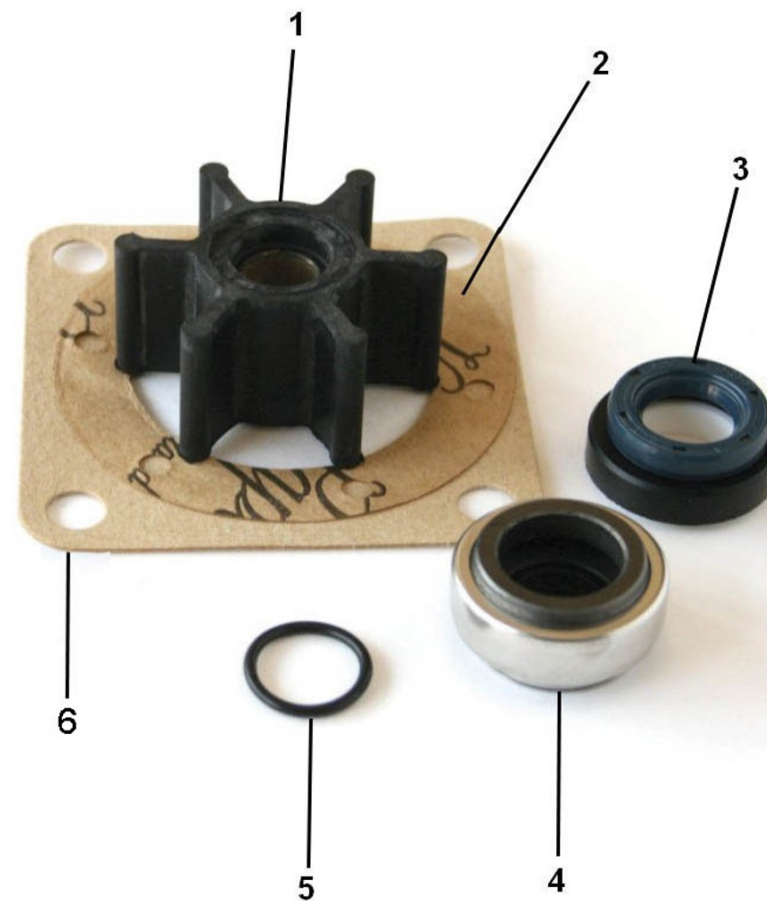
17511100G Pipe Rubber Set SM-105 Genset

Fig.	Ref.	Qty.	Descr.	Obs	From	UpTo
1	17511013	1	Elbow			
2	17411034	1	Hose			
3	17411013	1	Thermostat Water Outlet Elbow			
4	16711016	1	Rubber Elbow			
5	17421025	1	Hose,BY-PASS			
6	M87503242	1.0	Water Intake Hose (HQ) D. 32-42			



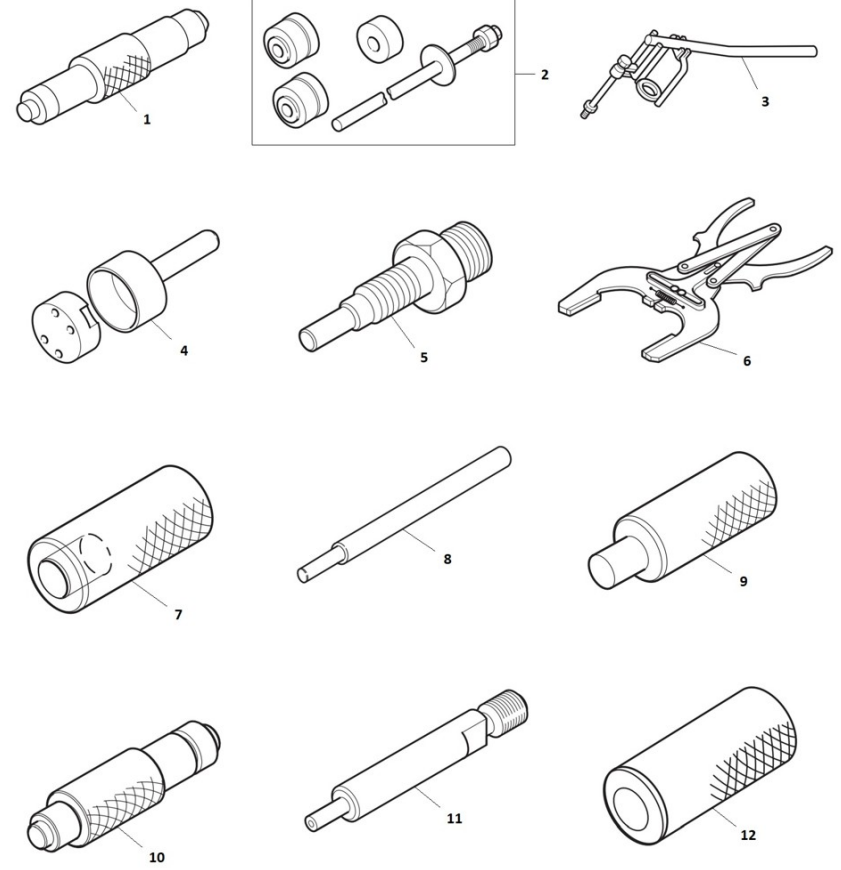
36511000K Repair Kit Water Pump 1"

Fig.	Ref.	Qty.	Descr.	Obs	From	UpTo
1	34711008	1	1" Impeller			
2	34711003	1	Gasket Cover			
3	36511020	1	Seal 16-30-7			
4	36511019	1	Seal			
5	33311013	1	O-Ring D. 15X2			
6	13310013	1	Gasket,water pump			



D_UTILFA0936_1 Special Tools

Fig.	Ref.	Qty.	Descr.	Obs	From	UpTo
1	U3009107300	1	Idler Bushing Installer			
2	U3069100010	1	Camshaft Bushing Installer Set			
3	U3069104500	1	Valve Spring Pusher			
4	U3069113010	1	Oil seal sleeve installer set			
5	U3069121100	1	Gauge Adapter			
6	UMM74007	1	Piston Ring Pliers			
7	U32A9100100	1	Valve Guide Installer			
8	U32A9100300	1	Valve Guide Remover			
9	U32A9100400	1	Oil Pump Bushing Installer			
10	U32A9100500	1	Connecting rod bushing puller			
11	U32A9101100	1	Gauge adapter (direct injection)			
12	U32A9110200	1	Stem Seal Installer			



D_UTILFA0936_2 Special Tools

Fig.	Ref.	Qty.	Descr.	Obs	From	UpTo
13	19440400.2	1	Compression Manometer 10-60 Bar			
14	U3449100200	1	Piston Installer			
15	U3449103020	1	Valve Sheet Insert Caulking Tool			
16	U3679100200	1	Valve Sheet Insert Caulking Tool			
17	UMH061077	1	Idler Shaft Puller			

