



Part list

Genset 8 GT/GTC & 10 GTA/GTAC



PARTS LIST CATALOGUE

NORMS TO PLACE AN ORDER

For fast and more efficient service, please specify the following information on spare parts orders that must be preferably done by e-mail as specified below:

- 1- Engine model: As shown in identification plate
- 2- Engine serial number: As shown in identification plate and stamped on crankcase
- 3- Item description + part number + quantity required

Spare parts requests must be addressed to :

orders@soleadvance.com

Tel.: +34 93 775 44 05

The components shown in the catalog have:

- Figure: Number by which they are represented in scheme
- Description: Trade name of the component
- Quantity: Total number of parts used in the assembly of the part represented (may differ from the total minimum quantities)

Hoses, indicates the total length in meters

The diagrams shown in this catalog of spare parts, have only the purpose to identify the piece in question, its representation is not meaningful and may differ from the actual piece.

In case of doubt, contact Solé Advance, or your authorized dealer.

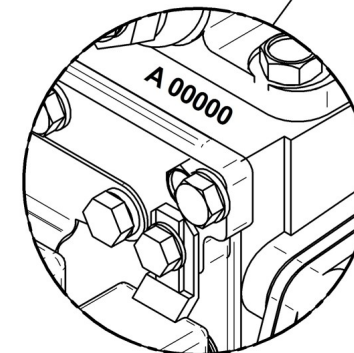
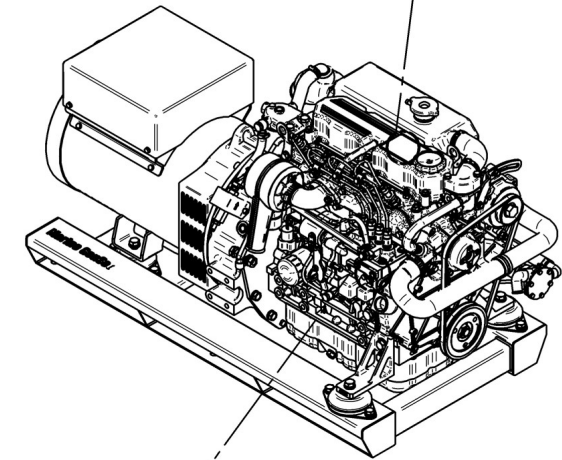
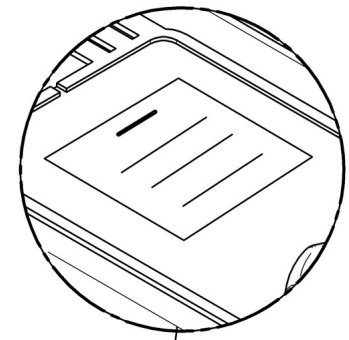
The parts i / or references in this catalog are subject to change without notice.

SOLÉ, S.A.

C-243b, km, 2

08760 Martorell (Barcelona) Spain

PLACA
PLATE



NUMERO DE SERIE
SERIAL NUMBER

Index

Engine Body

Cylinder Head
Rocker Cover & Breather
Valve Drive
Timing Parts
Gear Case
Crankcase
Flywheel Housing
Piston & Connecting Rod
Crankshaft & Flywheel
Oil System
Oil Pan
Engine Brackets

Inlet & Exhaust

Inlet

Cooling System

Water Pump
Cooler Pipes from 25/12/2024
Cooler Pipes upto 28/12/2024
Wet Exhaust
Water Cooler Assy MINI-29
Body, Water Cooler And Cap
Water Cooler Assy MINI-29 V6
1/2" Pump Water, Set
Splined Pump 3/8" MINI-48 Gen-26/33/44
Splined Pump 1/2" MINI-11/17/29/33/44

Fuel System

Fuel Pipe
Injection Nozzle
Fuel Injection Pump
Governor Parts
Fuel Supply Parts

Electrical System

12V Electrical Wiring 12V
24V Electrical Wiring 24V
Panels for Genset
Panel Components for Genset
Genset Extension

Genset Alternator Spare Parts

Alternator 8 GT/GTC Y 10 GTA/GTAC
3 Phase SINCRO ALT. Genset Kit (C)

Genset Alternator Kit

Alternator Kit Without Canopy
Alternator Kit With Canopy 400/230V y 480/277V
Alternator Kit With Canopy 230V y 240V

Chassis Spare Parts

Genset Chassis

Canopy Spare Parts

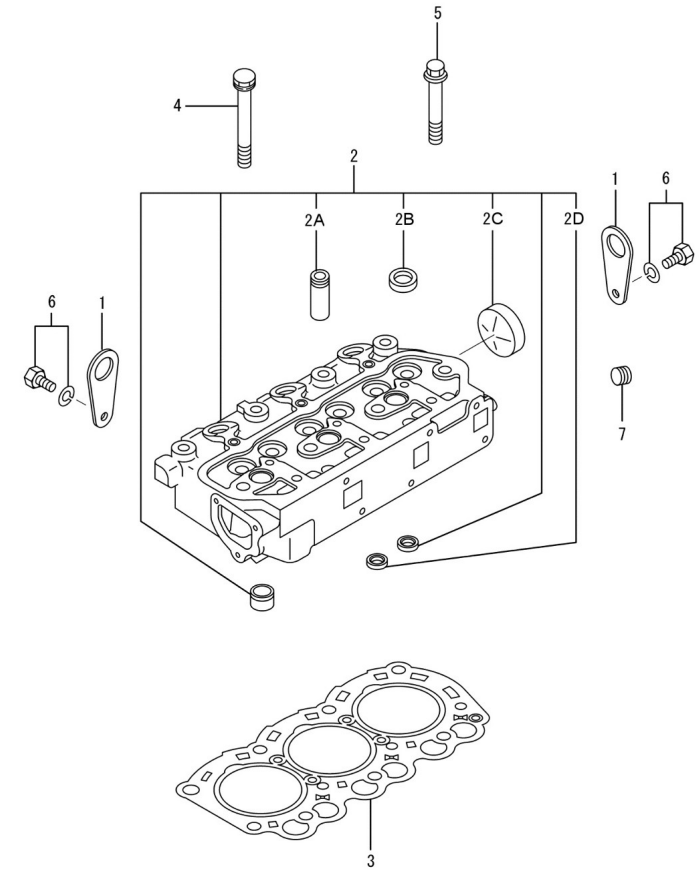
Soundproof Cabin Group MI26
Kit Cabin Alt.SINCRO

Maintenance Kit

Gasket Kit
Pipe Rubber Set, Water Line 4 V. MINI-29
Pipe Rubber Set, water line 6 V.
Repair Kit Water Pump 1/2"
Repair Kit Water Pump 1/2"
Special Tools

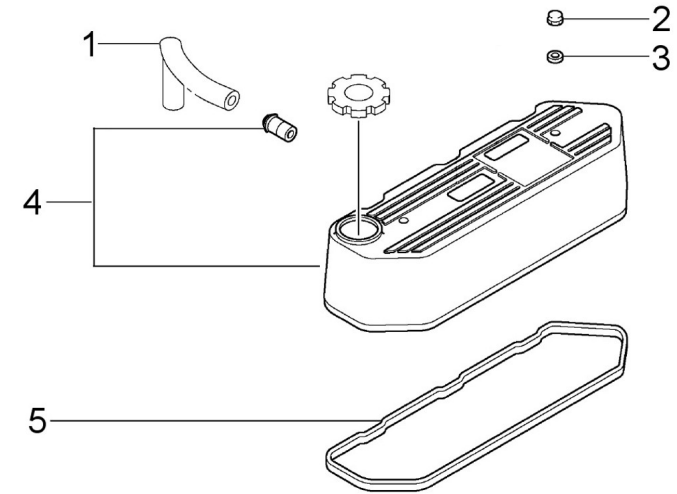
D GB01 1 1 Cylinder Head

| Fig. | Ref. | Qty. | Descr. | Obs | From | UpTo |
|------|-------------|------|---------------------------|-----|------|------|
| 1 | 13821011 | 2 | HANGER Engine | | | |
| 2 | 13921001G | 1 | Head Assy,Cylinder | | | |
| 2A | 13721002 | 6 | Guide Valve | | | |
| 2B | 13821012 | 3 | Cap | | | |
| 2C | 13520013 | 1 | Cap,SealING | | | |
| 2D | 13921061G | 3 | Seat Valve (Intake) | | | |
| 3 | 17621004 | 1 | Gasket,Cylinder Head | | | |
| 4 | 13821005 | 8 | Bolt,cylinder head | | | |
| 5 | 13821013 | 3 | Bolt,cylinder head | | | |
| 6 | 17422037G.1 | 2 | Bolt W/Washer (Generator) | | | |
| 7 | 13220023 | 1 | Plug TAPER | | | |



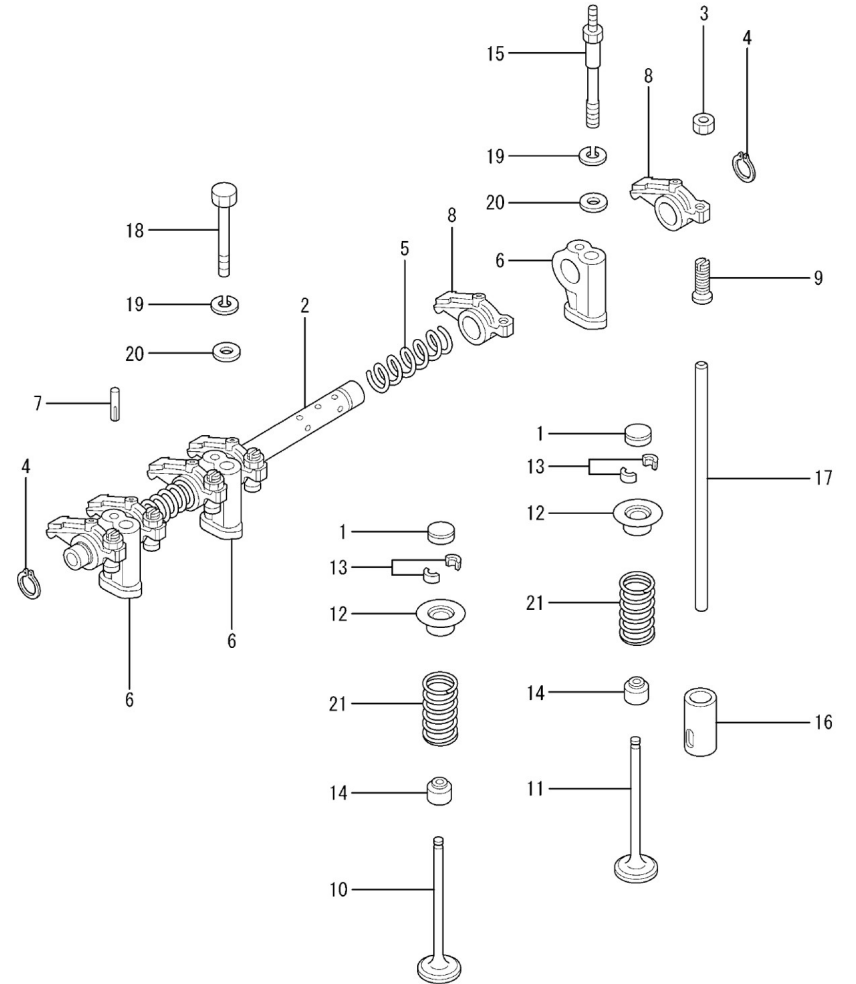
D GB01 1 2 **Rocker Cover & Breather**

| <i>Fig.</i> | <i>Ref.</i> | <i>Qty.</i> | <i>Descr.</i> | <i>Obs</i> | <i>From</i> | <i>UpTo</i> |
|-------------|-------------|-------------|---------------------|------------|-------------|-------------|
| 1 | 13821006 | 1 | Hose BREATHER | | | |
| 2 | 13821018 | 2 | Nut | | | |
| 3 | 51030006 | 2 | Washer DIN 125-6 | | | |
| 4 | (*) | 1 | Not available | | | |
| 5 | 13921010 | 1 | Gasket Rocker Cover | | | |



D GB01 1 3 **Valve Drive**

| Fig. | Ref. | Qty. | Descr. | Obs | From | UpTo |
|------|------------|------|-------------------------|-----|------|------|
| 1 | 13822069 | 6 | Cap Stem | | | |
| 2 | 13922046 | 1 | Shaft Assy | | | |
| 3 | 52120006 | 6 | Nut DIN 934 M6 8.8 | | | |
| 4 | 53040012 | 2 | CIRClip DIN 471 E-12 | | | |
| 5 | 17622047.4 | 2 | Spring Rocker SHAFT | | | |
| 6 | 13722048 | 3 | Stay Rocker | | | |
| 7 | 13822070 | 1 | Pin GROOVED | | | |
| 8 | 13822042 | 6 | ARM Rocker | | | |
| 9 | 13822044 | 6 | Screw Adjusting | | | |
| 10 | 13822055 | 3 | Intake Valve | | | |
| 11 | 13822056 | 3 | Exhaust Valve | | | |
| 12 | 13822058 | 6 | Retainer Valve SP | | | |
| 13 | 13222059 | 12 | Lock Valve | | | |
| 14 | 13222054 | 6 | Seal Valve Stem | | | |
| 15 | 13822053 | 2 | Bolt Rocker STAY | | | |
| 16 | 13822061 | 6 | Tappet | | | |
| 17 | 13822041 | 6 | ROD PUSH | | | |
| 18 | 52101265 | 1 | Bolt DIN 931 M8-60 8.8 | | | |
| 19 | 53033008 | 3 | Washer GROWER DIN 127-8 | | | |
| 20 | 17622051.4 | 3 | Washer | | | |
| 21 | 13822057.1 | 6 | Spring,Valve | | | |

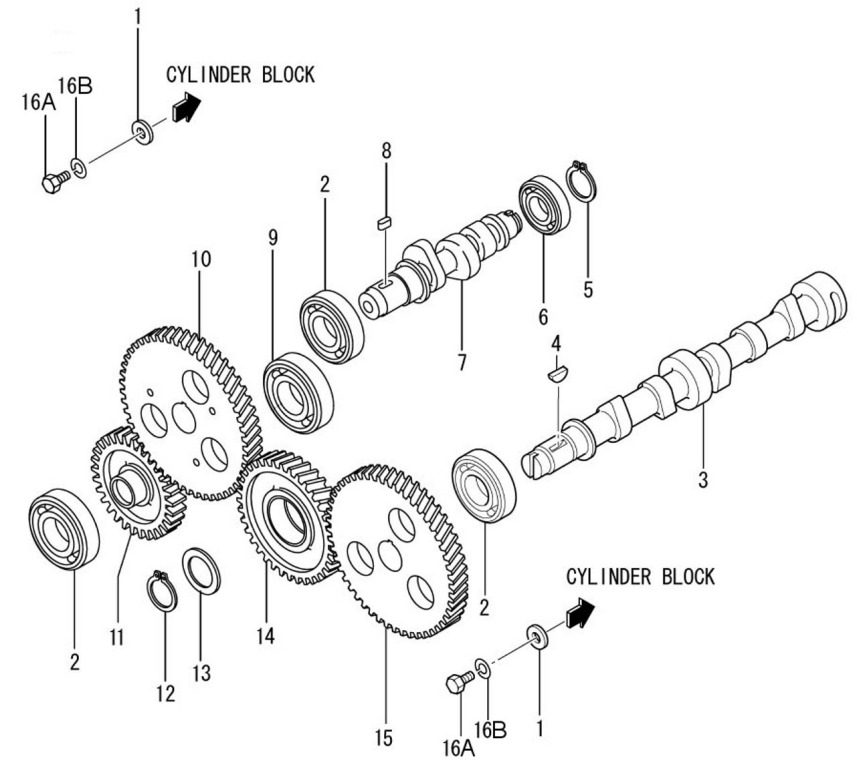


Genset 8 GT/GTC & 10 GTA/GTAC

Engine Body

D GB01 1 4 Timing Parts

| Fig. | Ref. | Qty. | Descr. | Obs | From | UpTo |
|------|-------------|------|-------------------------|-----|------|------|
| 1 | 13822033 | 1 | Washer CamShaft Stop | | | |
| 2 | 13822057.1 | 1 | Spring,Valve | | | |
| 3 | 13922035G.1 | 1 | CamShaft | | | |
| 4 | 17622036 | 1 | KEY | | | |
| 5 | 53040016 | 1 | CIRClip DIN 471 E-16 | | | |
| 6 | 17622068.4 | 1 | Bearing Ball | | | |
| 7 | 13922040 | 1 | Shaft Fuel INJ.PU | | | |
| 8 | 17622060.4 | 1 | Key, Sunk | | | |
| 9 | 13822066 | 1 | Ball Bearing 6005-C3 | | | |
| 10 | 13822043.4 | 1 | Gear,Fuel INJ.Pump Z=52 | | | |
| 11 | 13922065G | 1 | Gear Oil Pump | | | |
| 12 | 53040020 | 1 | CIRClip DIN 471 E-20 | | | |
| 13 | 17622034.4 | 1 | Plate DISTANCE | | | |
| 14 | 17622038.4 | 1 | Gear Assy,IDLER Z=40 | | | |
| 15 | 13822037 | 1 | Gear,CamShaft Z=52 | | | |
| 16A | 52102155 | 2 | Bolt DIN 933 M6-12 8.8 | | | |
| 16B | 53033006 | 2 | Washer GROWER DIN 127-6 | | | |

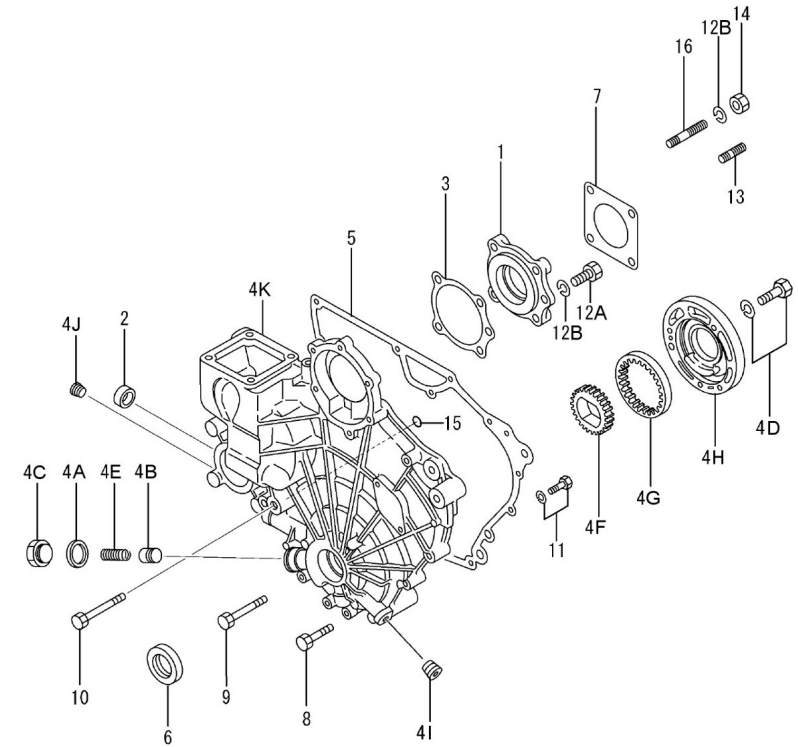


Genset 8 GT/GTC & 10 GTA/GTAC

Engine Body

D GB01 1 5 Gear Case

| Fig. | Ref. | Qty. | Descr. | Obs | From | UpTo |
|------|-----------|------|-------------------------|-----|------|------|
| 1 | 13820037 | 1 | Housing Pump Gear | | | |
| 2 | 13820045 | 1 | Cap SealING (20) | | | |
| 3 | 13820038 | 1 | Gasket Housing | | | |
| 4 | 13820035 | 1 | Case Gear | | | |
| 4A | 56000077 | 1 | Washer 18-23-1,5 | | | |
| 4B | 13224043 | 1 | Plunger | | | |
| 4C | 13224045 | 1 | Plug | | | |
| 4DA | 52101159 | 3 | Bolt DIN 931 M6-30 8.8 | | | |
| 4DB | 53033006 | 3 | Washer GROWER DIN 127-6 | | | |
| 4E | 13824044 | 1 | Spring RELIEF | | | |
| 4F | 13820050 | 1 | Gear Oil Pump INN | | | |
| 4G | 13820051 | 1 | Gear Oil Pump OUT | | | |
| 4H | 13820052 | 1 | Housing Oil Pump | | | |
| 4I | 13220023 | 1 | Plug TAPER | | | |
| 4J | 13821012G | 2 | Conical Plug | | | |
| 5 | 13820040 | 1 | Gasket Gear Case | | | |
| 6 | 13820039 | 1 | Oil Seal | | | |
| 7 | 13120047 | 1 | Gasket Water Pump | | | |
| 8 | 52102160 | 3 | Bolt DIN 933 M6-35 8.8 | | | |
| 9 | 52102164 | 4 | Bolt DIN 933 M6-55 8.8 | | | |
| 10 | 52101166 | 1 | Bolt DIN 931 M6-65 8.8 | | | |
| 11 | 17620054 | 4 | Bolt | | | |
| 12A | 52102258 | 1 | Bolt DIN 933 M8-25 8.8 | | | |
| 12B | 53033008 | 2 | Washer GROWER DIN 127-8 | | | |
| 13 | 13220043 | 1 | Stud L 34 | | | |
| 14 | 17120049 | 4 | Nut M8 | | | |
| 15 | 13820044 | 2 | O-Ring D. 11X2,5 | | | |
| 16 | 13220042 | 3 | Stud L 54 | | | |

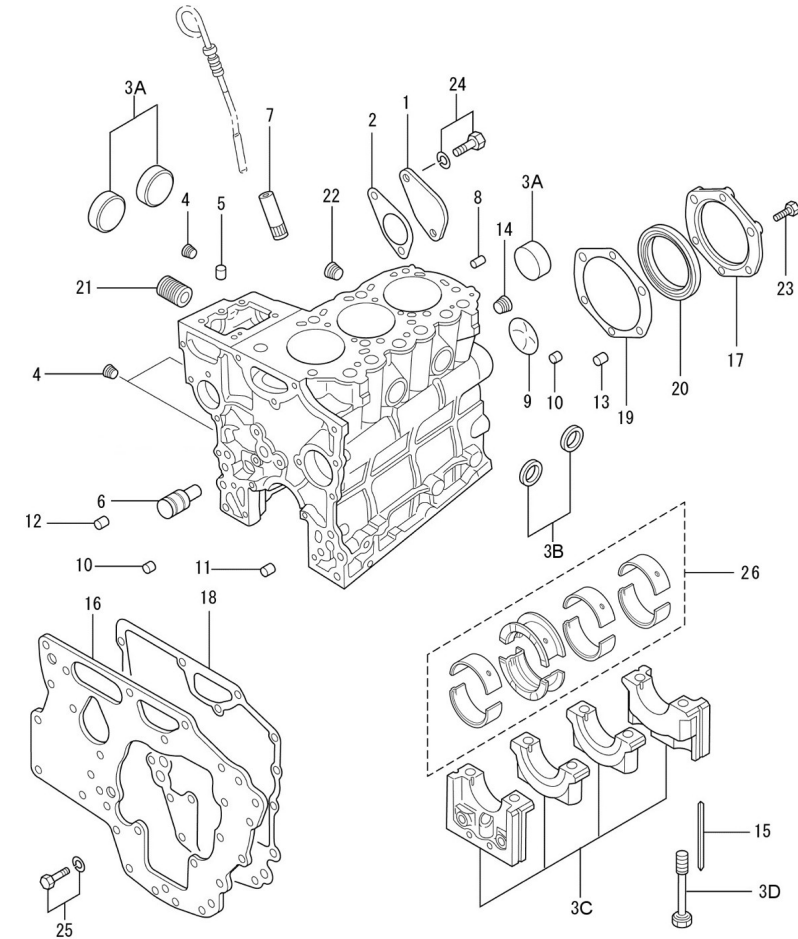


Genset 8 GT/GTC & 10 GTA/GTAC

Engine Body

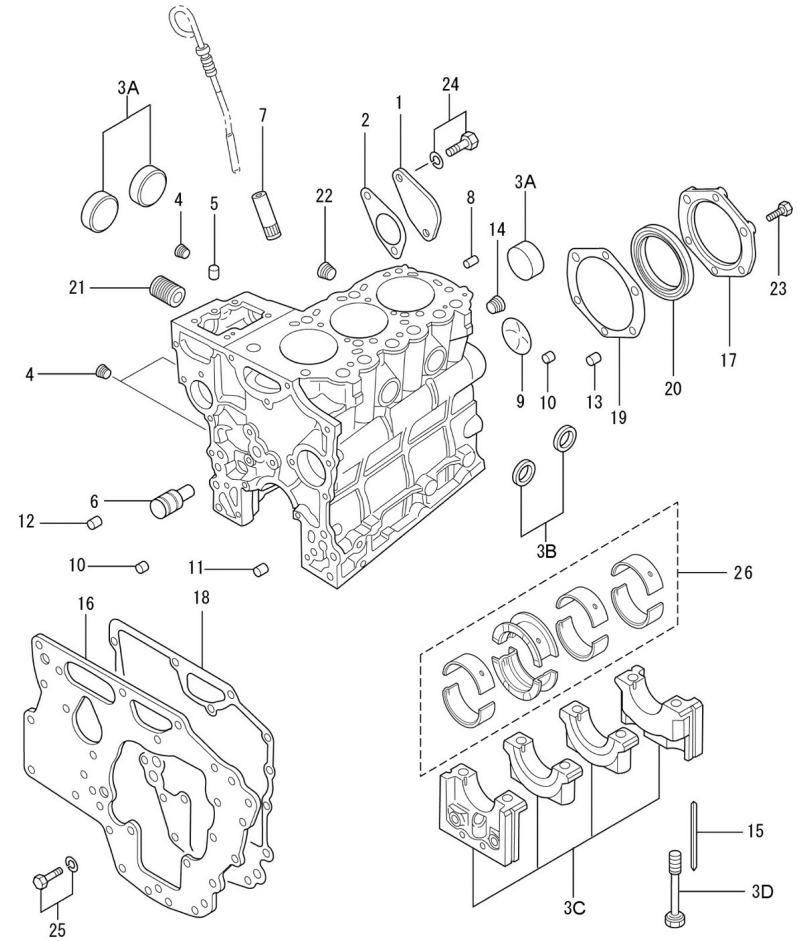
D GB01 1 6 Cranckcase

| Fig. | Ref. | Qty. | Descr. | Obs | From | UpTo |
|------|-------------|------|---------------------------|-----|------------|------|
| 1 | 13820011 | 1 | Cover | | | |
| 2 | 17620012.4 | 1 | Gasket Cover | | | |
| 3A | 13520013 | 3 | Cap,SealING | | | |
| 3B | 13220012 | 2 | Cap Sealing | | | |
| 3C | (*) | 1 | Not available | | | |
| 3D | 13820009.1 | 8 | Bolt Bearing Cap | | | |
| 4 | 17620013.4 | 3 | Plug Taper 1/16 | | | |
| 5 | 17620036.4 | 2 | Pin Dowel | | 02/08/2017 | |
| 6 | 13820014 | 1 | Shaft IDLER | | | |
| 7 | 17620007.4 | 1 | Guide | | | |
| 8 | 17620020.4 | 1 | Pin | | 02/08/2017 | |
| 9 | 13820013 | 1 | Plug Expansion | | | |
| 10 | 13720009 | 2 | Bushing (6X9) | | | |
| 11 | 17620021.4 | 1 | Bushing | | | |
| 12 | 13220021 | 2 | Bushing KNOCK | | | |
| 13 | 13520010 | 3 | KNOCK | | | |
| 14 | 13220023 | 1 | Plug TAPER | | | |
| 15 | 13820002 | 4 | Seal Side | | | |
| 16 | 13820017 | 1 | Plate, Front | | | |
| 17 | 13820015 | 1 | Case Oil Seal | | | |
| 18 | 13820018 | 1 | Gasket Front Plate | | | |
| 19 | 13820016 | 1 | Gasket Oil Seal C | | | |
| 20 | 13820008 | 1 | Seal Oil | | | |
| 21 | 13124047 | 1 | Shaft Oil Filter | | | |
| 22 | 17120022 | 1 | Plug, tapered | | | |
| 23 | 52102157 | 6 | Bolt DIN 933 M6-20 8.8 | | | |
| 24 | 17422037G.1 | 2 | Bolt W/Washer (Generator) | | | |
| 25 | 17620054 | 7 | Bolt | | | |
| 26A | 13920003 | 1 | Bearing Set CRANK STD. | | | |
| 26B | 13920004 | 1 | Bearing Set CRANK +0,25 | | | |
| 26C | 13920005 | 1 | Bearing Set CRANK | | | |



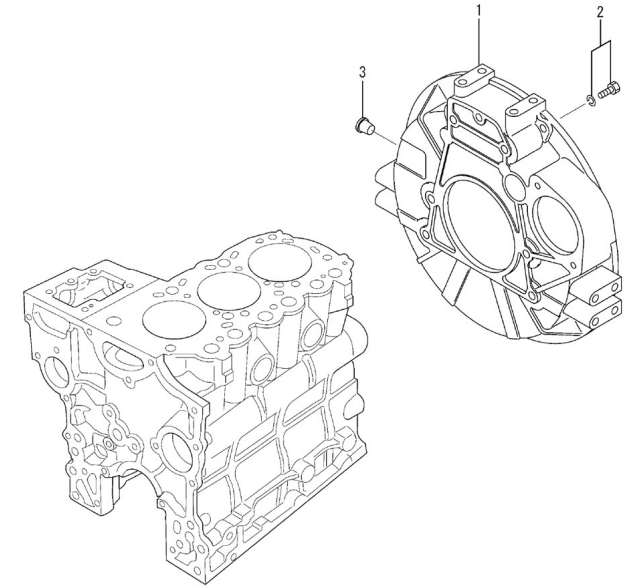
D GB01 1 6 **Crankcase**

| Fig. | Ref. | Qty. | Descr. | Obs | From | UpTo |
|------|----------|------|--------------------|-----|------|------|
| NS | 17620001 | 1 | Block SUB Assy,CYL | | | |



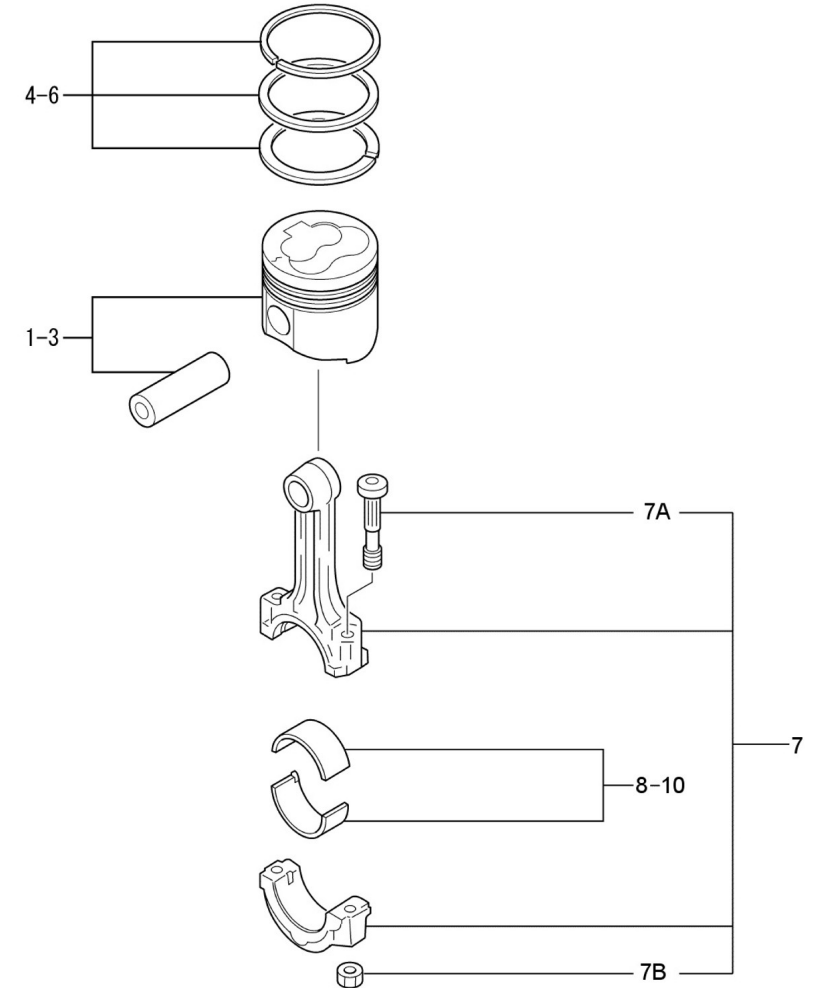
D GB01 1 7 Flywheel Housing

| <i>Fig.</i> | <i>Ref.</i> | <i>Qty.</i> | <i>Descr.</i> | <i>Obs</i> | <i>From</i> | <i>UpTo</i> |
|-------------|-------------|-------------|------------------|------------|-------------|-------------|
| 1 | 13820002G | 1 | FLYWEEL Housing | | | |
| 2 | 17327129.2 | 6 | Bolt | | | |
| 3 | 13820013G | 1 | Plug (Generator) | | | |



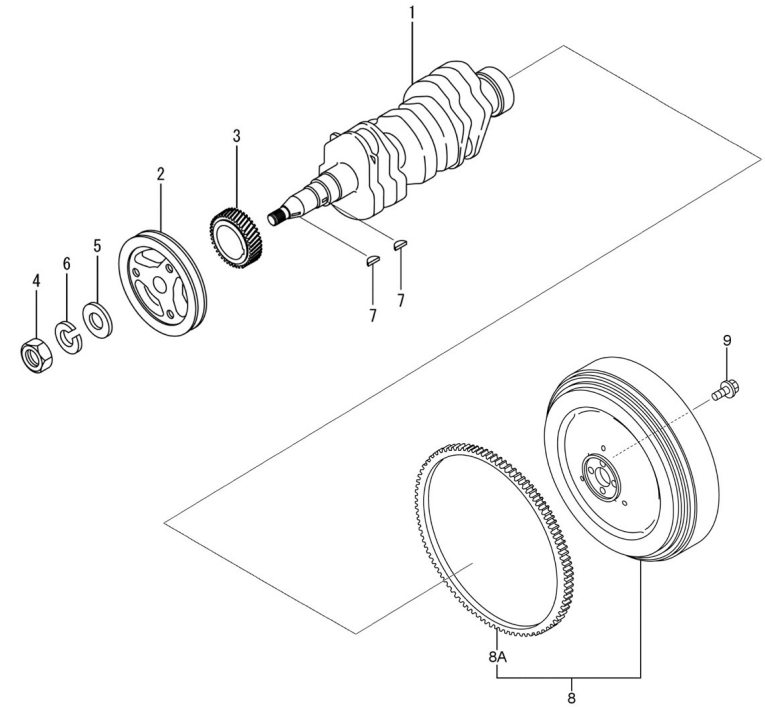
D GB01 1 8 Piston & Connecting Rod

| Fig. | Ref. | Qty. | Descr. | Obs | From | UpTo |
|------|------------|------|-------------------------------|-----|------|------|
| 1 | 13822001.1 | 3 | Piston & Pin Set STD. | | | |
| 2 | 13822002.1 | 3 | PISTON & Pin SET O.S. 0.25 | | | |
| 2 | 13822002.2 | 3 | PISTON & Pin SET O.S. 0.25 | | | |
| 3 | 13822003.1 | 3 | Piston & Pin Set O.S. 0.50 | | | |
| 4 | 13822006 | 3 | Ring Set,Piston STD. | | | |
| 5 | 13822007 | 3 | Ring Set,Piston O.S. 0.25 | | | |
| 6 | 13822008 | 3 | Ring Set,Piston O.S. 0.50 | | | |
| 7 | 13822012.3 | 3 | Rod Assy (21) | | | |
| 7A | 13222013 | 6 | Bolt,connecting rod | | | |
| 7B | 13222011 | 6 | Nut,connecting rod | | | |
| 8 | 13822014 | 3 | Bearing Set,CON-ROD STD. | | | |
| 9 | 13822015 | 3 | Bearing Set,Con-Rod U.S. 0.25 | | | |
| 10 | 13822016 | 3 | Bearing Set,Con-Rod U.S. 0.50 | | | |



D GB01 1 9 Crankshaft & Flywheel

| Fig. | Ref. | Qty. | Descr. | Obs | From | UpTo |
|------|------------|------|----------------------|-----|------|------|
| 1 | 13922020 | 1 | CrankShaft | | | |
| 2 | 17622024.4 | 1 | Pulley CrankShaft | | | |
| 3 | 13822021 | 1 | Gear CrankShaft Z=26 | | | |
| 4 | 13822026 | 1 | Nut | | | |
| 5 | (*) | 2 | Not available | | | |
| 6 | 53033016 | 1 | 1 | | | |
| 7 | 17622036 | 2 | KEY | | | |
| 8 | 13822027.3 | 1 | Flywheel Assy | | | |
| 8A | 13722029 | 1 | Gear Ring Z=106 | | | |
| 9 | 13822031.4 | 4 | Bolt Flywheel | | | |

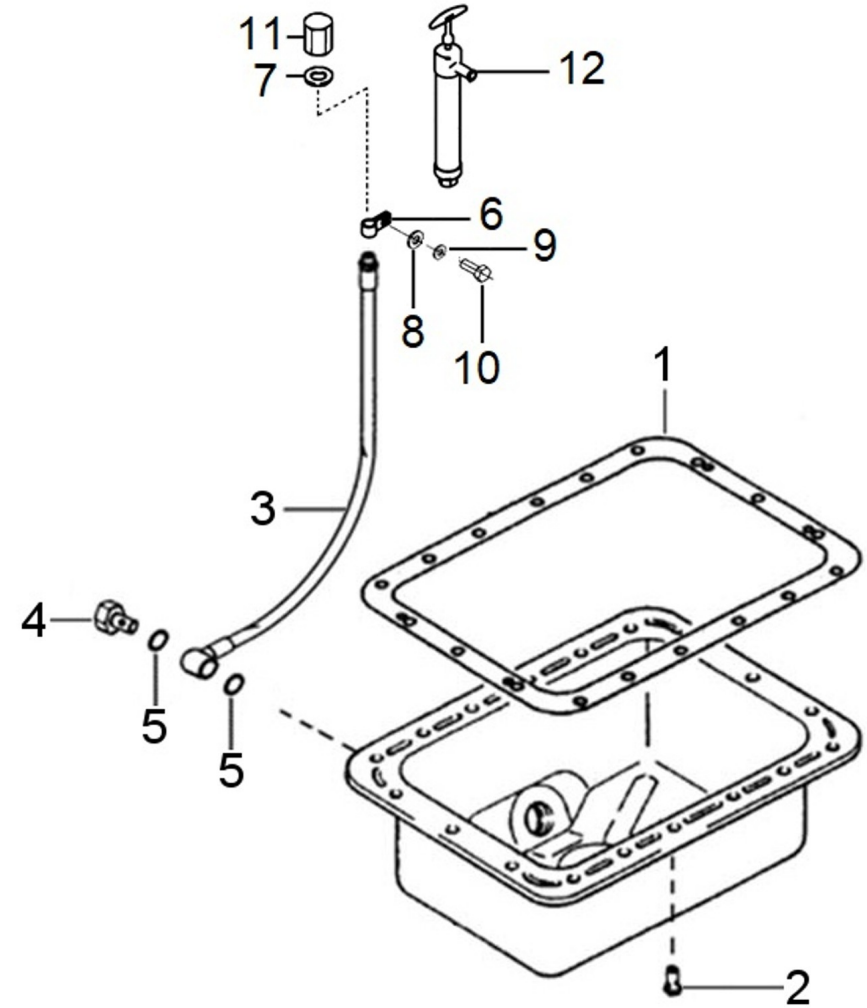


Genset 8 GT/GTC & 10 GTA/GTAC

Engine Body

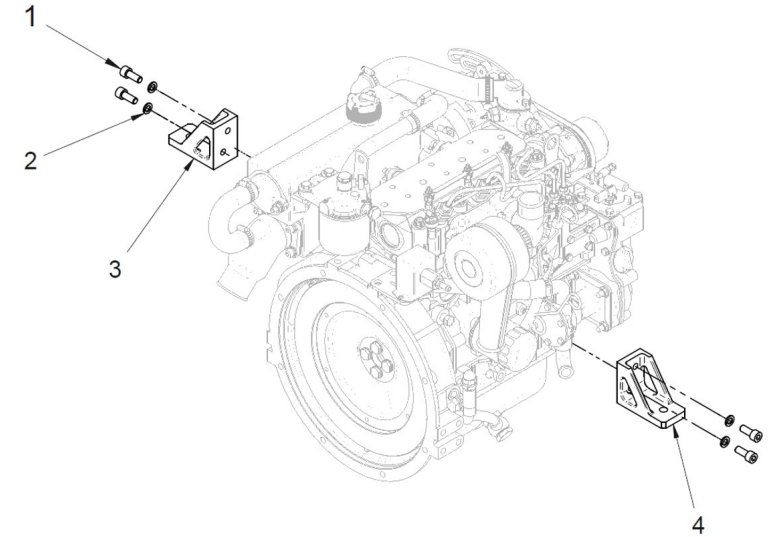
D GB01 1 11 Oil Pan

| Fig. | Ref. | Qty. | Descr. | Obs | From | UpTo |
|------|----------|------|------------------------------|-----|------|------|
| 2A | 52102155 | 18 | Bolt DIN 933 M6-12 8.8 | | | |
| 2B | 53033006 | 1 | Washer GROWER DIN 127-6 | | | |
| 3 | 13814021 | 1 | ExtraCTION, hose | | | |
| 4 | 16514022 | 1 | Coupling,screw 18x150 | | | |
| 5 | 56000077 | 2 | Washer 18-23-1,5 | | | |
| 6 | 17114023 | 1 | Bracket,pipe | | | |
| 7 | 56000217 | 1 | Washer 13-20-3 | | | |
| 8 | 51030010 | 1 | Washer DIN 125-10 | | | |
| 9 | 53033010 | 1 | Washer GROWER DIN 127-10 | | | |
| 10 | 52202307 | 1 | Bolt DIN 933 M10-1,25-20 8.8 | | | |
| 11 | 16514020 | 1 | Plug | | | |
| 12 | 14714001 | 1 | Oil Extraction Pump | | | |



D GB01 1 12 Engine Brackets

| <i>Fig.</i> | <i>Ref.</i> | <i>Qty.</i> | <i>Descr.</i> | <i>Obs</i> | <i>From</i> | <i>UpTo</i> |
|-------------|-------------|-------------|-------------------------------------|------------|-------------|-------------|
| 1 | 52203308 | 4 | Bolt DIN 912 M10-1,25-25 12.9 Blued | | | |
| 2 | 53033010 | 4 | Washer GROWER DIN 127-10 | | | |
| 3 | 13910004G.1 | 1 | Front Bracket | | | |
| 4 | 13910003G.1 | 1 | Front Bracket | | | |

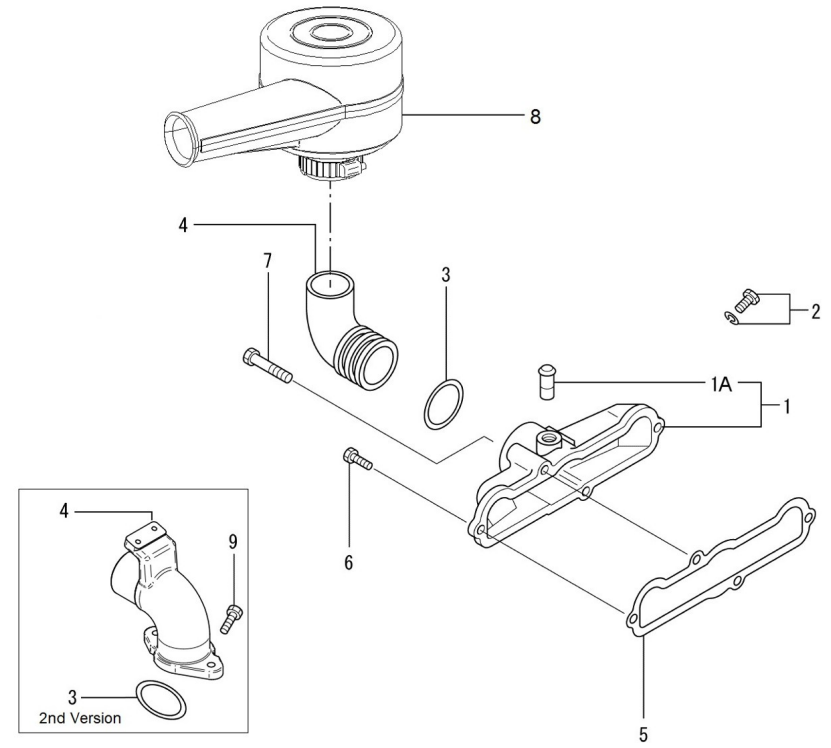


Genset 8 GT/GTC & 10 GTA/GTAC

Inlet & Exhaust

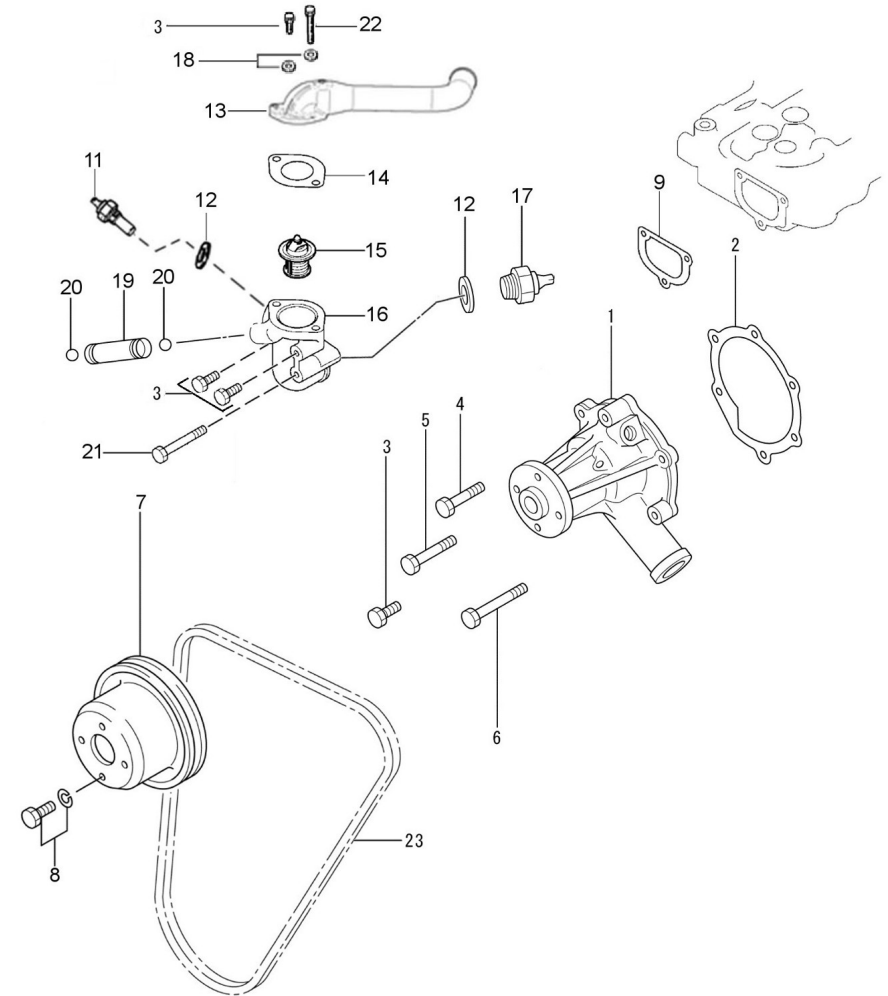
D GB01 2 1 Inlet

| Fig. | Ref. | Qty. | Descr. | Obs | From | UpTo |
|------|------------|------|------------------------|-----|------------|------------|
| 1 | 13921030 | 1 | Cover Assy Intake | | | |
| 1A | (*) | 1 | Not available | | | |
| 2 | 13821033.1 | 1 | Bolt,W/Washer | | | 19/09/2017 |
| 2A | 52102155 | 1 | Bolt DIN 933 M6-12 8.8 | | 20/09/2017 | 19/12/2019 |
| 3 | 13821042 | 1 | O-Ring D. 36X3,5 | | | |
| 3 | 17621042 | 1 | Gasket | | | |
| 4 | 13821029 | 1 | Pipe Intake | | | |
| 4 | 17610027 | 1 | Bend Filter Air | | | |
| 5 | 17621032 | 1 | Gasket Intake COV | | | |
| 7 | 52101162 | 2 | Bolt DIN 931 M6-45 8.8 | | | |
| 8 | 13810074 | 1 | Air Filter | | 15/02/2017 | |
| 9A | 52102157 | 2 | Bolt DIN 933 M6-20 8.8 | | | |
| 9B | 53038006 | 2 | Washer DIN 6798-A 6 | | | |



D GB01 3 1 Water Pump

| Fig. | Ref. | Qty. | Descr. | Obs | From | UpTo |
|------|------------|------|-------------------------|-----|------------|------------|
| 1 | 13821020 | 1 | Fresh Water Pump | | | |
| 2 | 13821022 | 1 | Gasket Water Pump | | | |
| 3 | 52102157 | 5 | Bolt DIN 933 M6-20 8.8 | | | |
| 4 | 52102160 | 1 | Bolt DIN 933 M6-35 8.8 | | | |
| 5 | 52101162 | 1 | Bolt DIN 931 M6-45 8.8 | | | |
| 6 | 52102164 | 2 | Bolt DIN 933 M6-55 8.8 | | | |
| 7 | 13921021 | 1 | Pulley Water Pump | | | |
| 8A | 52102155 | 4 | Bolt DIN 933 M6-12 8.8 | | | |
| 8B | 53033006 | 4 | Washer GROWER DIN 127-6 | | | |
| 9 | 13821033 | 1 | Gasket Thermostat | | 25/03/2020 | |
| 9 | 17621033.4 | 1 | Gasket Thermostat | | 27/03/2018 | 25/03/2020 |
| 11 | 60900980 | 1 | Temperature Sensor | | | |
| 12 | 56000073 | 2 | Copper Washer 16-23-1,5 | | | |
| 13 | 13811020.1 | 1 | Cover | | | 25/12/2024 |
| 13 | 13811031 | 1 | Cover | | 28/12/2024 | |
| 14 | 13821031 | 1 | Gasket Water OutL | | | |
| 15 | 13821027 | 1 | Thermostat 71° | | | |
| 16 | 13821037.1 | 1 | FITTING Thermostat New | | | |
| 17 | 60900070 | 1 | Thermo-Switch 97°C | | | |
| 18 | 53038006 | 2 | Washer DIN 6798-A 6 | | | |
| 19 | 17621026.4 | 1 | Pipe BYPASS | | | |
| 20 | 13821038 | 2 | O-Ring D. 9X2 | | | |
| 21 | 52101165 | 1 | Bolt DIN 931 M6-60 8.8 | | | |
| 22 | 52101163 | 1 | Bolt DIN 931 M6-50 8.8 | | | |
| 23 | 13821228 | 1 | Belt Type SPZX 900 | | | |

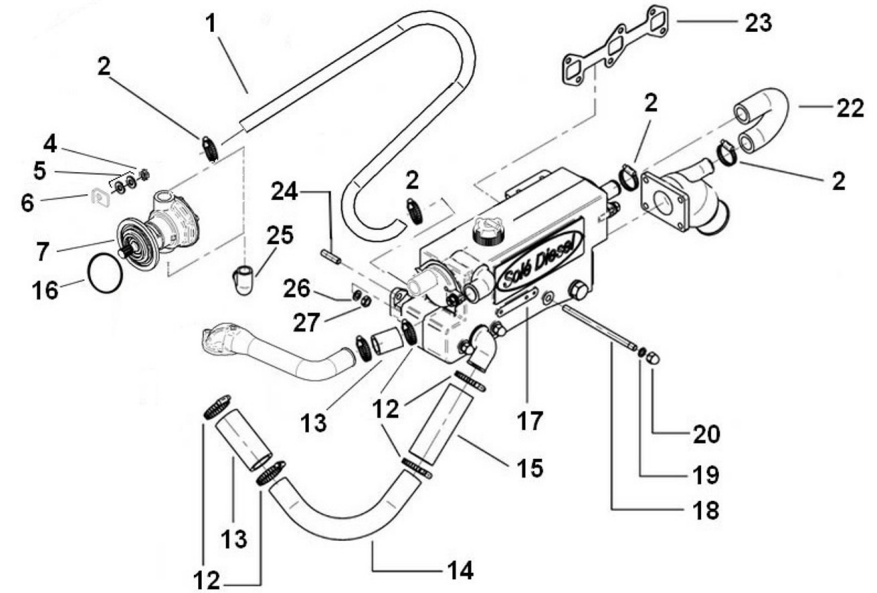


Genset 8 GT/GTC & 10 GTA/GTAC

Cooling System

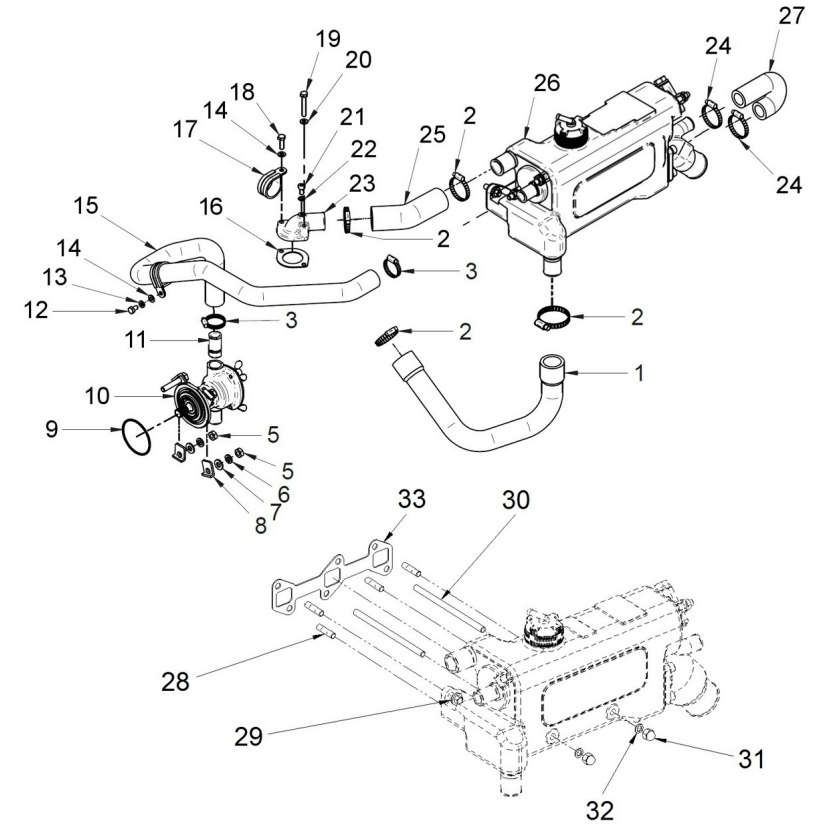
D GB01 3 4 Cooler Pipes from 25/12/2024

| Fig. | Ref. | Qty. | Descr. | Obs | From | UpTo |
|------|-------------|------|---|-----|------------|------------|
| 1 | M87501927 | 1.0 | Water Intake Hose (HQ) D. 19-27 | | | |
| 2 | 54081020 | 3 | Clamp DIN 3017 20-32/9 W4 | | | |
| 4 | 17120049 | 4 | Nut M8 | | | |
| 5A | 51030008 | 4 | Washer DIN 125-8 | | | |
| 5B | 53033008 | 4 | Washer GROWER DIN 127-8 | | | |
| 6 | 13811062 | 4 | Pump Bracket | | | |
| 7 | 37611000 | 1 | Splined Pump 1/2" MINI-11/17/29/33/44 | | 22/05/2017 | |
| 12 | 54081025 | 6 | Clamp DIN 3017 25-40/9 W4 | | | |
| 13 | 13811017 | 2 | Pipe 28-38-80 | | | |
| 14 | 13811014 | 1 | Elbow | | | |
| 15 | 17611002 | 1 | Pipe 28-38-110 | | | |
| 16 | 17011007 | 1 | O-Ring D. 57X3 | | | |
| 17 | 13911000REC | 1 | Water Cooler Assy MINI-26 (Spare Part) | | 28/07/2025 | |
| 17 | 17611000.1R | 1 | Water Cooler Assy MINI-26/29 (Spare Part) | | | 25/07/2025 |
| 18 | 13811018 | 1 | Manifold, mounting stud | | | |
| 19 | 56000057 | 1 | Washer 8-13-1,5 | | | |
| 20 | 55122008 | 1 | Nut DIN 1587 M8 | | | |
| 22 | 17611034 | 1 | Hose | | | |
| 23 | 17621035 | 1 | Gasket, Exhaust | | | |
| 24 | 14711008 | 3 | Stud, cover | | | |
| 25 | 13211035 | 2 | Exhaust Manifold Outlet Bend | | | |
| 26 | 53038008 | 3 | Washer DIN 6798-A 8 | | | |
| 27 | 54120008 | 3 | Nut DIN 934 M8 | | | |



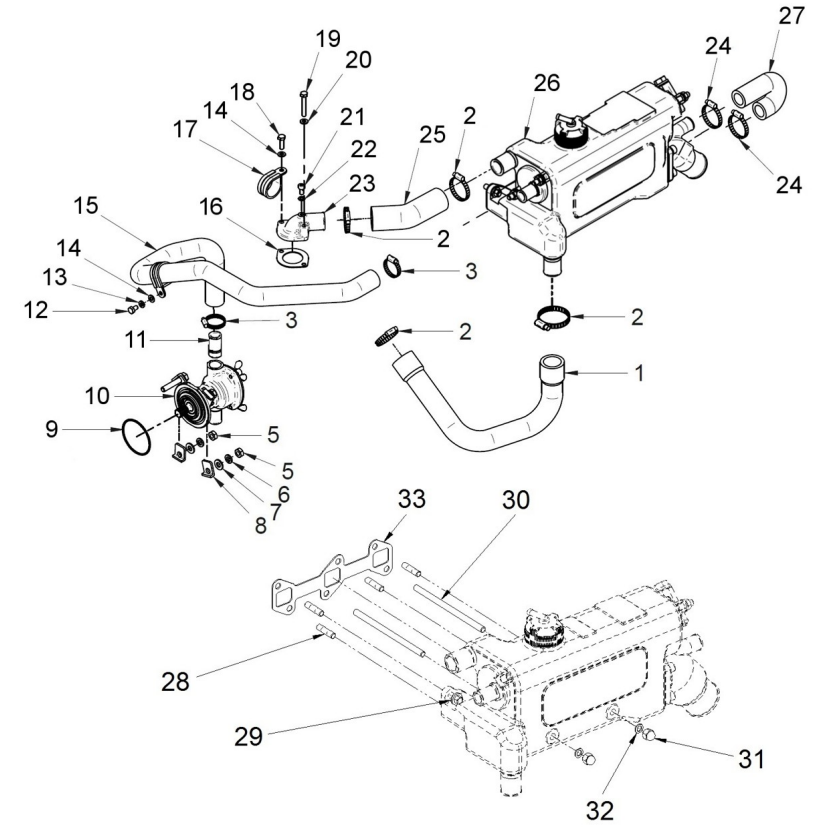
D MI26GSTST 03 4 Cooler Pipes upto 28/12/2024

| Fig. | Ref. | Qty. | Descr. | Obs | From | UpTo |
|------|-----------|------|---------------------------------------|-----|------|------|
| 1 | 13811030 | 1 | Sleeve Rubber | | | |
| 2 | 54081025 | 4 | Clamp DIN 3017 25-40/9 W4 | | | |
| 3 | 54081016 | 2 | Clamp DIN 3017 16-27/9 W4 | | | |
| 5 | 52120008 | 4 | Nut DIN 934 M8 8.8 | | | |
| 6 | 53033008 | 4 | Washer GROWER DIN 127-8 | | | |
| 7 | 51030008 | 4 | Washer DIN 125-8 | | | |
| 8 | 13811062 | 4 | Pump Bracket | | | |
| 9 | 17011007 | 1 | O-Ring D. 57X3 | | | |
| 10 | 37611000 | 1 | Splined Pump 1/2" MINI-11/17/29/33/44 | | | |
| 11 | 13811033 | 2 | Raccord 1/2" | | | |
| 12 | 52102155 | 1 | Bolt DIN 933 M6-12 8.8 | | | |
| 13 | 51030006 | 2 | Washer DIN 125-6 | | | |
| 13 | 53033006 | 1 | Washer GROWER DIN 127-6 | | | |
| 15 | 13811028 | 1 | Sleeve Rubber | | | |
| 16 | 13821031 | 1 | Gasket Water OutL | | | |
| 17 | 59071304 | 2 | Clamp RSGU 1 30/15 W1 | | | |
| 18 | 52102158 | 1 | Bolt DIN 933 M6-25 8.8 | | | |
| 19 | 52102161 | 1 | Bolt DIN 933 M6-40 8.8 | | | |
| 20 | 53038006 | 1 | Washer DIN 6798-A 6 | | | |
| 21 | 13811035 | 1 | Bolt,bleed | | | |
| 22 | 56000053 | 1 | Washer 6-10-1,5 | | | |
| 23 | 13811031 | 1 | Cover | | | |
| 24 | 54081020 | 2 | Clamp DIN 3017 20-32/9 W4 | | | |
| 25 | 13811029 | 4 | Sleeve Rubber | | | |
| 26 | 17611005R | 1 | Water Cooler Assy MINI-29 v6 | | | |
| 27 | 13811032 | 1 | Elbow | | | |
| 28 | 14711008 | 4 | Stud,cover | | | |
| 29 | 51125008 | 4 | Nut Exhaust | | | |
| 30 | 17211015 | 2 | MANIFOLD MOUNTING Stud | | | |
| 31 | 55122008 | 2 | Nut DIN 1587 M8 | | | |
| 32 | 56000057 | 2 | Washer 8-13-1,5 | | | |



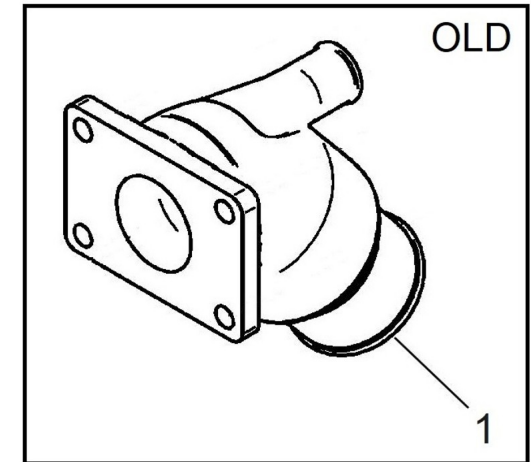
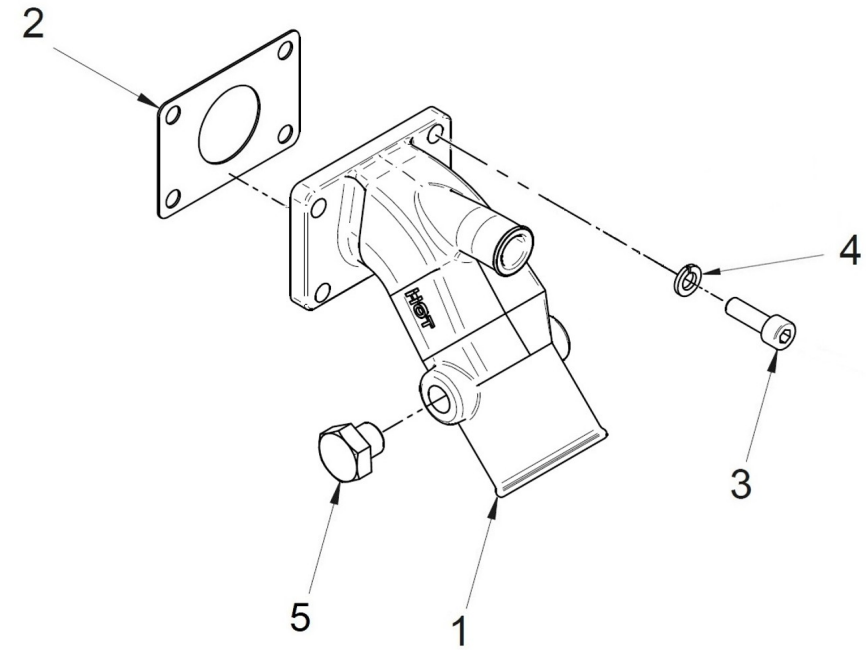
D MI26GSTST 03 4 Cooler Pipes upto 28/12/2024

| Fig. | Ref. | Qty. | Descr. | Obs | From | UpTo |
|------|------------|------|-------------------|-----|------|------|
| 33 | 17621035 | 1 | Gasket, Exhaust | | | |
| NS | 13812030.3 | 1 | BRACKET OIL LEVER | ☒ | | |
| NS | 13817115 | 2 | Spacer 6,5X15X10 | ☒ | | |



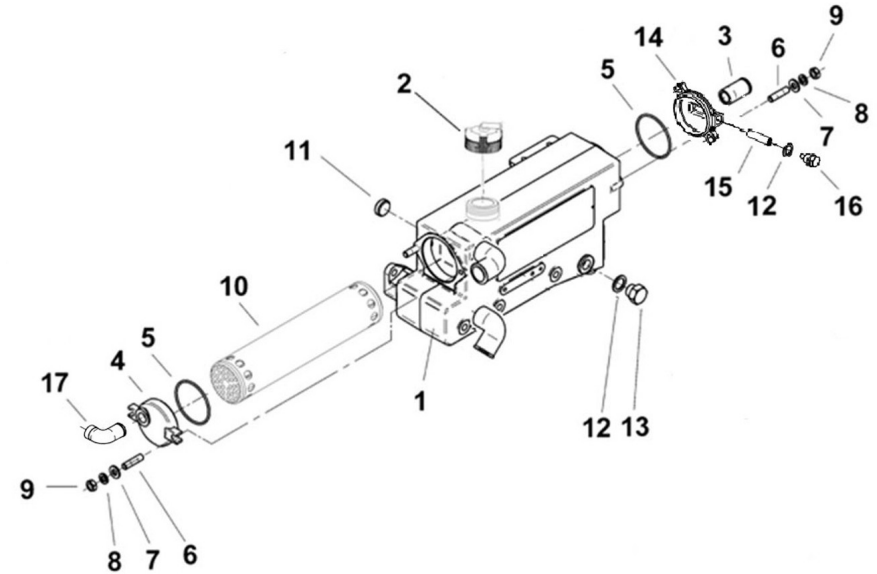
D GB01 3 5 Wet Exhaust

| Fig. | Ref. | Qty. | Descr. | Obs | From | UpTo |
|------|-----------|------|--------------------------------|-----|------------|------------|
| 1 | 17613015G | 1 | Elbow, WET Exhaust GEN.Set | | | 24/03/2023 |
| 1 | 17613016G | 1 | Elbow, Wet Exhaust Genset | | 24/03/2023 | |
| 2 | 17613014 | 1 | Gasket | | | |
| 3 | 52103257 | 4 | Bolt DIN 912 M8-20 8.8 | | | |
| 4 | 53033008 | 4 | Washer GROWER DIN 127-8 | | | |
| 5 | 55102405 | 1 | Bolt DIN 933 M14-1,50-12 Brass | | 01/10/2024 | |



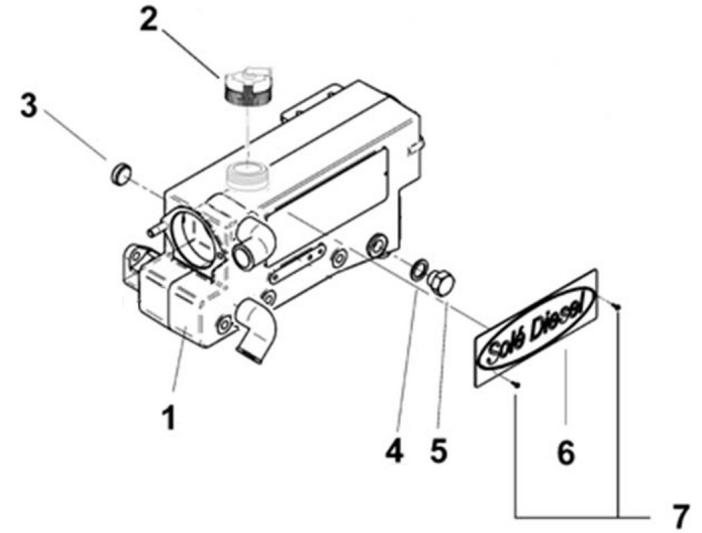
D 17611000.IREC Water Cooler Assy MINI-29

| <i>Fig.</i> | <i>Ref.</i> | <i>Qty.</i> | <i>Descr.</i> | <i>Obs</i> | <i>From</i> | <i>UpTo</i> |
|-------------|-------------|-------------|------------------------------|------------|-------------|-------------|
| 1 | 17611001 | 1 | Body, Water Cooler | | | |
| 2 | 13811010 | 1 | Cap | | | |
| 3 | 13211031 | 1 | Raccord 1/2" | | | |
| 4 | 13811002 | 1 | Water Cooler Cover | | | |
| 5 | 13811007 | 2 | O-Ring D. 57X2,5 | | | |
| 6 | 13311006 | 4 | Stud,cover | | | |
| 7 | 51030008 | 4 | Washer DIN 125-8 | | | |
| 8 | 53033008 | 4 | Washer GROWER DIN 127-8 | | | |
| 9 | 54120008 | 4 | Nut DIN 934 M8 | | | |
| 10 | 17211004 | 1 | Tubular Bundle | | | |
| 11 | 12113092 | 1 | Plug | | | |
| 12 | 56000073 | 2 | Copper Washer 16-23-1,5 | | | |
| 13 | 12111076 | 1 | Plug | | | |
| 14 | 13811042 | 1 | Water Cooler Cover | | | |
| 15 | 13811043 | 1 | Engine Anode 29.5 mm M.8 | | | |
| 16 | 18011009 | 1 | Anode Plug | | | |
| 17 | 13211035 | 1 | Exhaust Manifold Outlet Bend | | | |




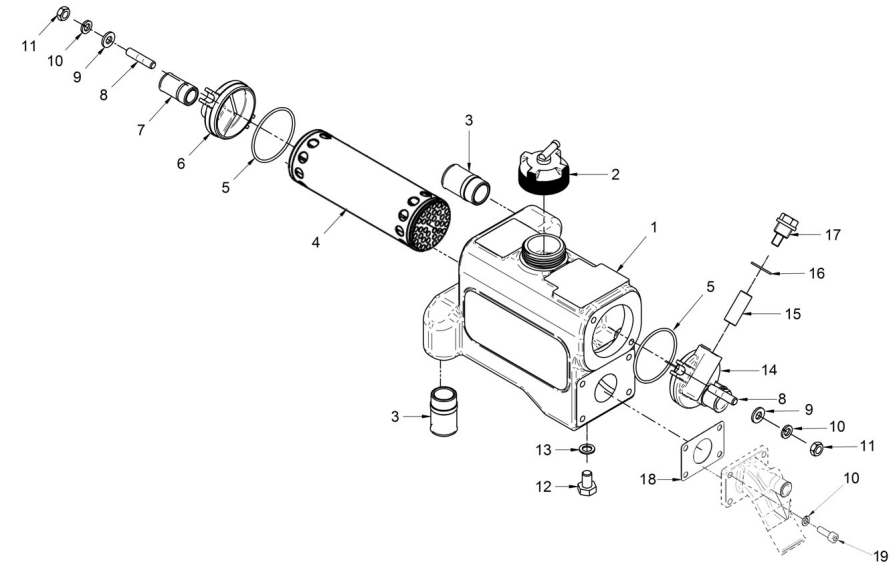
17611001C Body, Water Cooler And Cap

| <i>Fig.</i> | <i>Ref.</i> | <i>Qty.</i> | <i>Descr.</i> | <i>Obs</i> | <i>From</i> | <i>UpTo</i> |
|-------------|-------------|-------------|-------------------------|------------|-------------|-------------|
| 1 | 17611001 | 1 | Body, Water Cooler | | | |
| 2 | 13811010 | 1 | Cap | | | |
| 3 | 12113092 | 1 | Plug | | | |
| 4 | 56000073 | 1 | Copper Washer 16-23-1,5 | | | |
| 5 | 12111076 | 1 | Plug | | | |
| 6 | 17111060 | 1 | Plate "SOLE Diesel" | | | |
| 6 | 17111067 | 1 | Plate "SOLE ADVANCE" | | | |
| 7 | 17111062 | 2 | Bolt | | | |



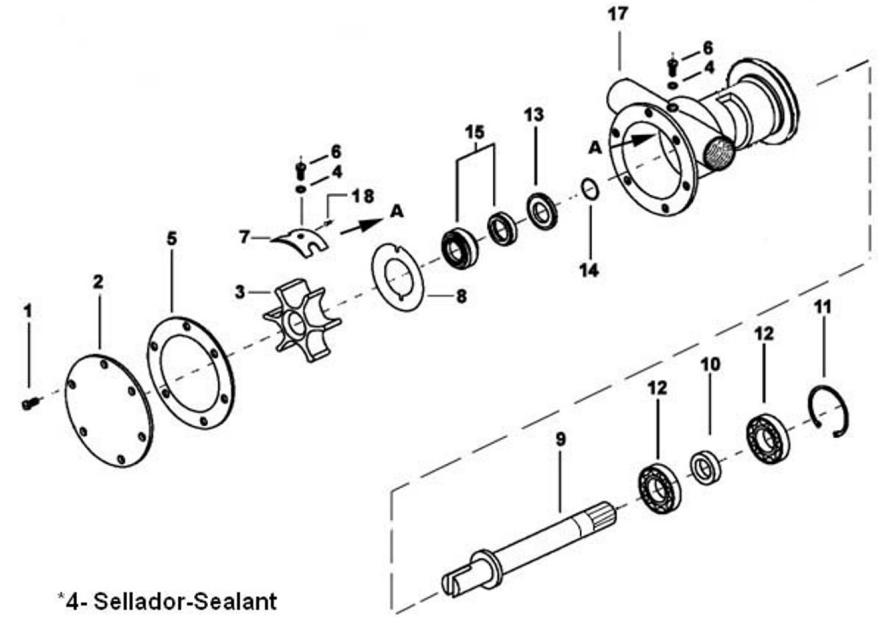
D 17611005R Water Cooler Assy MINI-29 V6

| Fig. | Ref. | Qty. | Descr. | Obs | From | UpTo |
|------|--------------|------|---------------------------------------|---|------|------|
| 1 | 17611006 | 1 | Body, Water Cooler MINI-29 v6 | | | |
| 2 | 13811010 | 1 | Cap | | | |
| 3 | 13811034 | 2 | Raccord 3/4" | | | |
| 4 | 17211004 | 1 | Tubular Bundle | | | |
| 5 | 13811007 | 2 | O-Ring D. 57X2,5 | | | |
| 6 | 13811002 | 1 | Water Cooler Cover | | | |
| 7 | 13811033 | 1 | Raccord 1/2" | | | |
| 8 | 13311006 | 4 | Stud,cover | | | |
| 9 | 51030008 | 4 | Washer DIN 125-8 | | | |
| 10 | 53033008 | 8 | Washer GROWER DIN 127-8 | | | |
| 11 | 54120008 | 4 | Nut DIN 934 M8 | | | |
| 12 | 54102306 | 1 | Bolt DIN 933 M10-16 INOX. | | | |
| 13 | 56000061 | 1 | Washer 10-16-1,5 | | | |
| 14 | 13811042 | 1 | Water Cooler Cover | | | |
| 15 | 13811043 | 1 | Engine Anode 29.5 mm M.8 | | | |
| 16 | 56000073 | 1 | Copper Washer 16-23-1,5 | | | |
| 17 | 18011009 | 1 | Anode Plug | | | |
| NS | 17611040 | 1 | MINI-29 Cooler Adhesive |  | | |
| NS | ETIQUETA0035 | 1 | Engine Vinyl Solé Advance 17,5x6,2 cm |  | | |



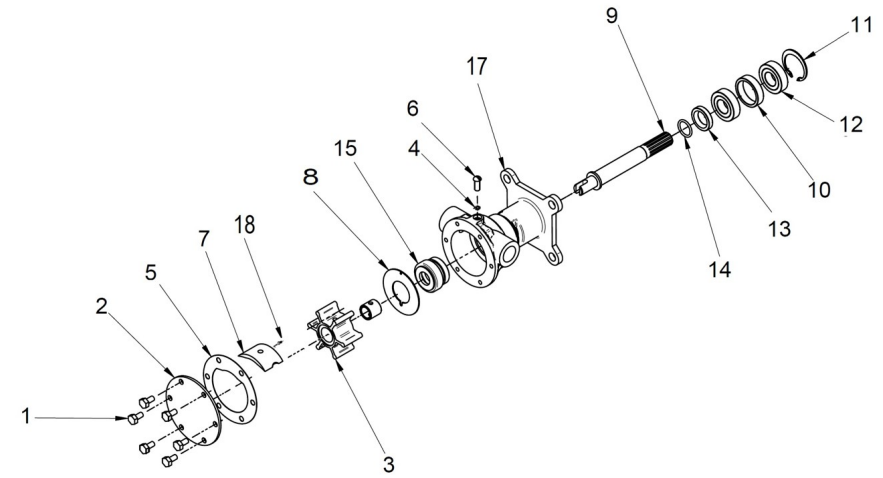
33811000 1/2" Pump Water, Set

| Fig. | Ref. | Qty. | Descr. | Obs | From | UpTo |
|------|----------|------|--------------------------|-----|------|------|
| 1 | 54102104 | 6 | Bolt DIN 933 M5-10 INOX. | | | |
| 2 | 31211002 | 1 | Cover Pump | | | |
| 3 | 31211008 | 1 | 1/2" Impeller | | | |
| 5 | 31211003 | 1 | Gasket Cover | | | |
| 6 | 55307105 | 1 | Bolt DIN 86 W3/16-13 | | | |
| 7 | 31211005 | 1 | Cam | | | |
| 8 | 33411026 | 1 | Wearplate | | | |
| 9 | 33811010 | 1 | Shaft, Water Pump | | | |
| 10 | 33811015 | 1 | Spacer | | | |
| 11 | 53041032 | 1 | CIRclip DIN 472 I-32 | | | |
| 12 | 33411014 | 2 | Ball Bearing 6002-C3 | | | |
| 13 | 33411020 | 1 | Seal | | | |
| 14 | 33311013 | 1 | O-Ring D. 15X2 | | | |
| 15 | 33411019 | 1 | Seal | | | |
| 17 | 33811001 | 1 | Body, Water Pump | | | |
| 18 | 33411017 | 1 | Pin, Dowel | | | |



37011200 Splined Pump 3/8" MINI-48 Gen-26/33/44

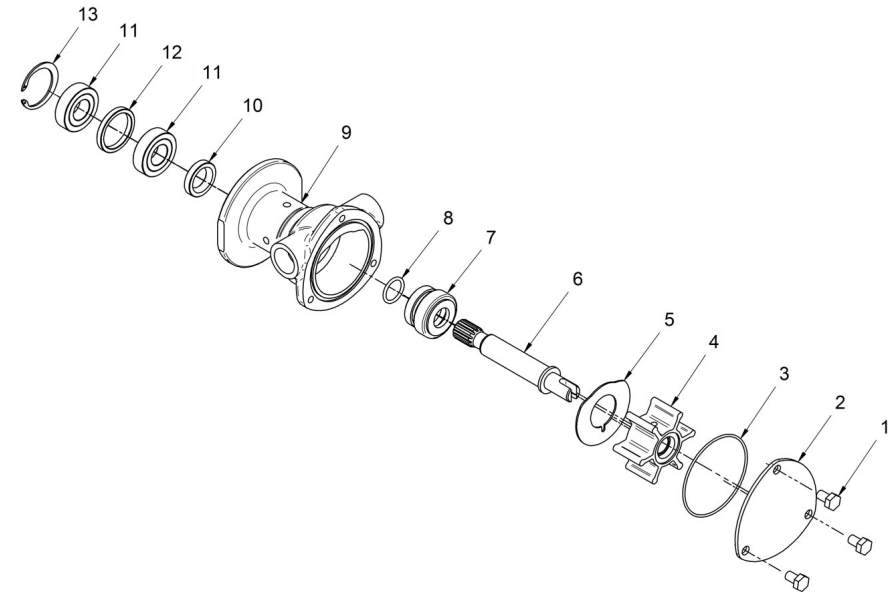
| Fig. | Ref. | Qty. | Descr. | Obs | From | UpTo |
|------|----------|------|--------------------------|-----|------|------|
| 1 | 54102104 | 6 | Bolt DIN 933 M5-10 INOX. | | | |
| 2 | 31211002 | 1 | Cover Pump | | | |
| 3 | 31211008 | 1 | 1/2" Impeller | | | |
| 5 | 31211003 | 1 | Gasket Cover | | | |
| 6 | 55307105 | 1 | Bolt DIN 86 W3/16-13 | | | |
| 7 | 31211005 | 1 | Cam | | | |
| 8 | 33411026 | 1 | Wearplate | | | |
| 9 | 37011210 | 1 | Shaft,water pump | | | |
| 10 | 33411015 | 1 | Spacer 32X26X8 | | | |
| 11 | 53041032 | 1 | CIRClip DIN 472 I-32 | | | |
| 12 | 33411014 | 2 | Ball Bearing 6002-C3 | | | |
| 13 | 33411020 | 1 | Seal | | | |
| 14 | 33311013 | 1 | O-Ring D. 15X2 | | | |
| 15 | 33411019 | 1 | Seal | | | |
| 17 | 33411001 | 1 | Body,Water Pump | | | |
| 18 | 33411017 | 1 | Pin,Dowel | | | |



*4 - Sellador - Sealant

37611000 Splined Pump 1/2" MINI-11/17/29/33/44

| Fig. | Ref. | Qty. | Descr. | Obs | From | UpTo |
|------|----------|------|-------------------------|-----|------|------------|
| 1 | 54102154 | 3 | Bolt DIN 933 M6-10 INOX | | | |
| 2 | 37611002 | 1 | Cover Pump | | | |
| 3 | 37611003 | 1 | O-Ring D. 57x1,5 | | | 01/06/2022 |
| 4 | 31211008 | 1 | 1/2" Impeller | | | |
| 5 | 37611026 | 1 | Plate, Friction | | | |
| 6 | 33811010 | 1 | Shaft, Water Pump | | | |
| 7 | 33411019 | 1 | Seal | | | |
| 8 | 33311013 | 1 | O-Ring D. 15X2 | | | |
| 9 | 37611001 | 1 | Body, Water Pump 1/2" | | | |
| 10 | 33411020 | 1 | Seal | | | |
| 11 | 33411014 | 2 | Ball Bearing 6002-C3 | | | |
| 12 | 33811015 | 1 | Spacer | | | |
| 13 | 53041032 | 1 | CIRclip DIN 472 I-32 | | | |

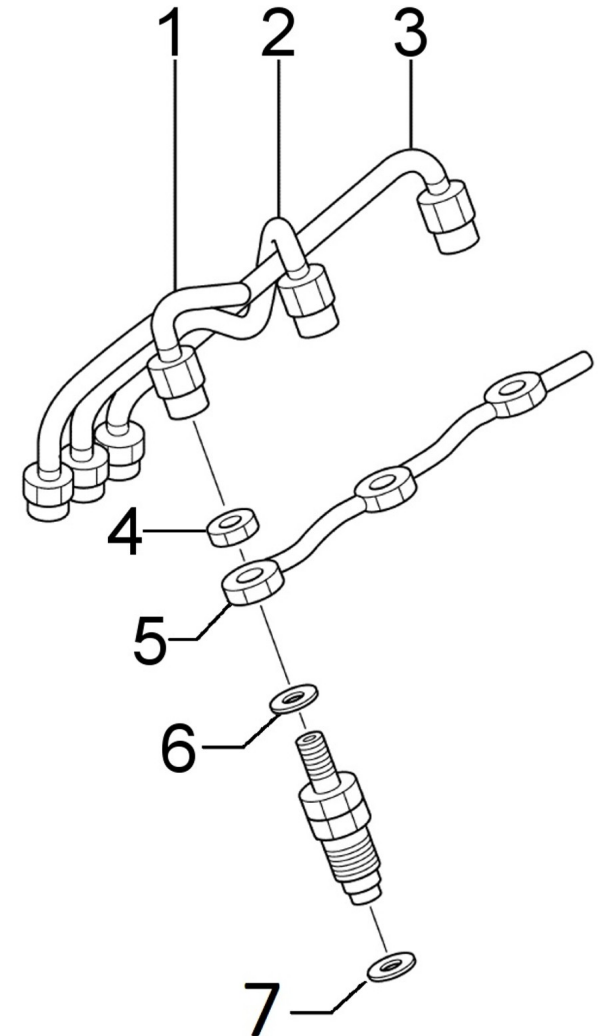


Genset 8 GT/GTC & 10 GTA/GTAC

Fuel System

D GB01 4 1 Fuel Pipe

| <i>Fig.</i> | <i>Ref.</i> | <i>Qty.</i> | <i>Descr.</i> | <i>Obs</i> | <i>From</i> | <i>UpTo</i> |
|-------------|-------------|-------------|-----------------------------|------------|-------------|-------------|
| 1 | 13824015.1 | 1 | Pipe Injection N.1 | | | |
| 2 | 13824016.1 | 1 | Pipe Injection N.2 | | | |
| 3 | 13924019.1 | 1 | Pipe Injection N.3 | | | |
| 4 | 13824024 | 3 | Nut | | | |
| 5 | 13924026 | 1 | Tube gasoil SPILL | | | |
| 6 | 17424025G.1 | 3 | Gasket Fuel Return (Genset) | | | |
| 7 | 13824013 | 3 | Injector Washer | | | |

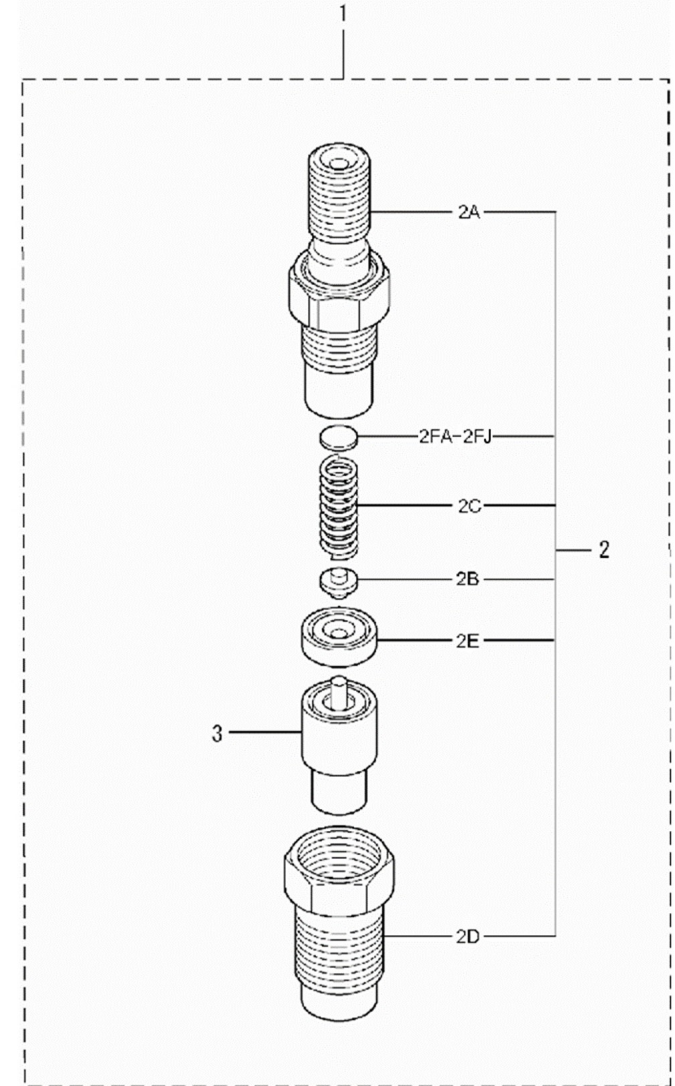


Genset 8 GT/GTC & 10 GTA/GTAC

Fuel System

D GB01 4 2 Injection Nozzle

| Fig. | Ref. | Qty. | Descr. | Obs | From | UpTo |
|------|----------|------|-------------------|-----|------------|------------|
| 1 | 13826001 | 3 | Nozzle & Holder A | | | |
| 2 | 13824013 | 3 | Injector Washer | | | |
| 2A | (*) | 3 | Not available | | 01/01/2016 | |
| 2B | 13826003 | 3 | Pin Pressure | | | |
| 2C | 17226004 | 3 | Spring, Pressure | | | |
| 2D | 13826006 | 3 | Nut RETAINING | | | |
| 2E | 13826007 | 3 | PIECE DISTANCE | | | 07/01/2020 |
| 2FA | 13826010 | 0 | Washer 1,25 | # | | |
| 2FB | 13826011 | 0 | Washer 1,30 | # | | |
| 2FC | 13826012 | 0 | Washer 1,35 | # | | |
| 2FD | 13826013 | 0 | Washer 1,40 | # | | |
| 2FE | 13826014 | 0 | Washer 1,45 | # | | |
| 2FF | 13826015 | 0 | Washer 1,50 | # | | |
| 2FG | 13826016 | 0 | Washer 1,55 | # | | |
| 2FH | 13826017 | 0 | Washer 1,60 | # | | |
| 2FI | 13826019 | 0 | Washer 1,65 | # | | |
| 2FJ | 13826020 | 0 | Washer 1,70 | # | | |
| 3 | 13826018 | 3 | Nozzle Assy | | | |

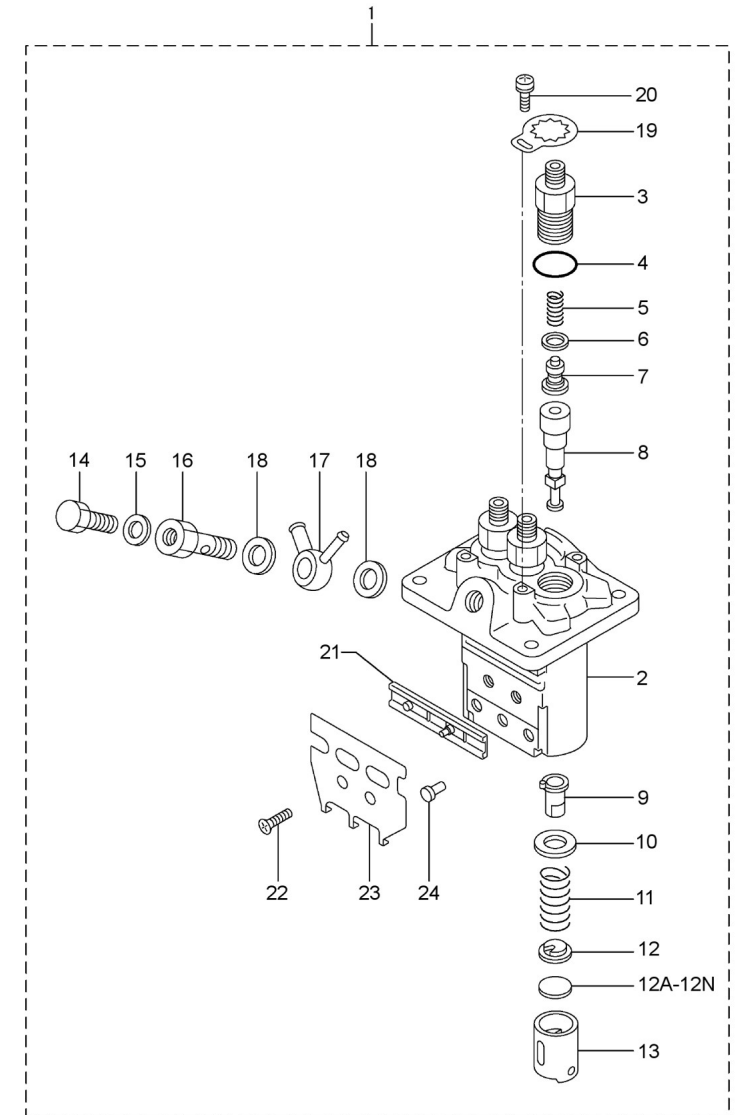


Genset 8 GT/GTC & 10 GTA/GTAC

Fuel System

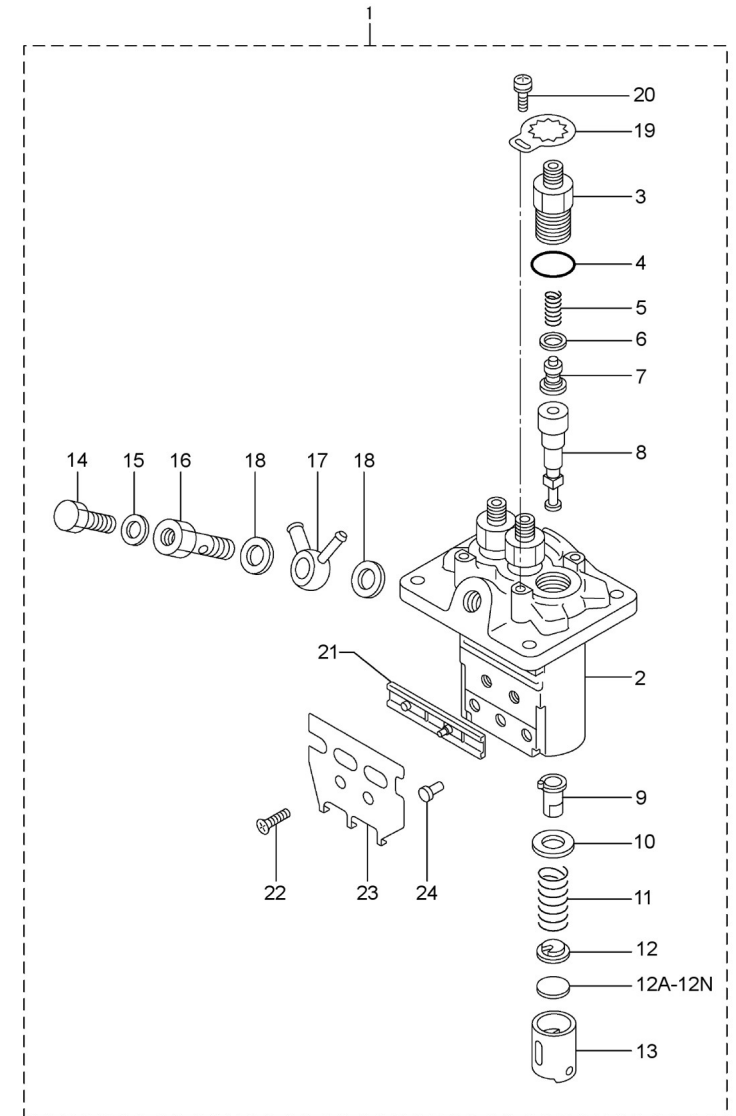
D GB01 4 3 Fuel Injection Pump

| Fig. | Ref. | Qty. | Descr. | Obs | From | UpTo | | | | | | | | | | | | | | | | | | | | | | | | | | | | | | | | | | | | | | | | | | | | | | | | |
|------|------------|------------------------------|--------------------------|-----|------|------|-----------|---|------------------------|---|--|--|-----|-----------|---|------------------------|---|--|--|----|----------|---|-------------|--|--|--|----|----------|---|-----------|--|--|--|----|----------|---|--------------------|--|--|--|----|----------|---|--------------|--|--|--|----|------------|---|---------------|--|--|--|
| 1 | 13925001G | 1 | Pump Assy,Fuel Injection | | | | | | | | | | | | | | | | | | | | | | | | | | | | | | | | | | | | | | | | | | | | | | | | | | | |
| 2 | 13925005 | 1 | Housing SUB Assy | | | | | | | | | | | | | | | | | | | | | | | | | | | | | | | | | | | | | | | | | | | | | | | | | | | |
| 3 | 13825004 | 3 | Holder | | | | | | | | | | | | | | | | | | | | | | | | | | | | | | | | | | | | | | | | | | | | | | | | | | | |
| 4 | 13825033 | 3 | O-Ring D. 15X1,8 | | | | | | | | | | | | | | | | | | | | | | | | | | | | | | | | | | | | | | | | | | | | | | | | | | | |
| 5 | 13825002 | 3 | Spring | | | | | | | | | | | | | | | | | | | | | | | | | | | | | | | | | | | | | | | | | | | | | | | | | | | |
| 6 | 13125007 | 3 | Gasket DELIVERY V | | | | | | | | | | | | | | | | | | | | | | | | | | | | | | | | | | | | | | | | | | | | | | | | | | | |
| 7 | 13825008.1 | 3 | Valve SUB Assy | | | | | | | | | | | | | | | | | | | | | | | | | | | | | | | | | | | | | | | | | | | | | | | | | | | |
| 8 | 13825009 | 3 | Element SUB Assy | | | | | | | | | | | | | | | | | | | | | | | | | | | | | | | | | | | | | | | | | | | | | | | | | | | |
| 9 | 13825010 | 3 | SLEEVE SUB Assy | | | | | | | | | | | | | | | | | | | | | | | | | | | | | | | | | | | | | | | | | | | | | | | | | | | |
| 10 | 13825011 | 3 | Seat | | | | | | | | | | | | | | | | | | | | | | | | | | | | | | | | | | | | | | | | | | | | | | | | | | | |
| 11 | 13825012 | 3 | Spring | | | | | | | | | | | | | | | | | | | | | | | | | | | | | | | | | | | | | | | | | | | | | | | | | | | |
| 12 | 13825013 | 3 | Seat | | | | | | | | | | | | | | | | | | | | | | | | | | | | | | | | | | | | | | | | | | | | | | | | | | | |
| 12A | 13925015G | 0 | Plate Tappet Shim 1,85 | # | | | | | | | | | | | | | | | | | | | | | | | | | | | | | | | | | | | | | | | | | | | | | | | | | | |
| 12B | 13825016G | 0 | Plate Tappet Shim 1,90 | # | | | | | | | | | | | | | | | | | | | | | | | | | | | | | | | | | | | | | | | | | | | | | | | | | | |
| 12C | 13925017G | 0 | Plate Tappet Shim 1,95 | # | | | | | | | | | | | | | | | | | | | | | | | | | | | | | | | | | | | | | | | | | | | | | | | | | | |
| 12D | 13925018G | 0 | Plate Tappet Shim 2,00 | # | | | | | | | | | | | | | | | | | | | | | | | | | | | | | | | | | | | | | | | | | | | | | | | | | | |
| 12E | 13925019G | 0 | Plate Tappet Shim 2,05 | # | | | | | | | | | | | | | | | | | | | | | | | | | | | | | | | | | | | | | | | | | | | | | | | | | | |
| 12F | 13925020G | 0 | Plate Tappet Shim 2,10 | # | | | | | | | | | | | | | | | | | | | | | | | | | | | | | | | | | | | | | | | | | | | | | | | | | | |
| 12G | 13925021G | 0 | Plate Tappet Shim 2,15 | # | | | | | | | | | | | | | | | | | | | | | | | | | | | | | | | | | | | | | | | | | | | | | | | | | | |
| 12H | 13925022G | 0 | Plate Tappet Shim 2,20 | # | | | | | | | | | | | | | | | | | | | | | | | | | | | | | | | | | | | | | | | | | | | | | | | | | | |
| 12I | 13925023G | 0 | Plate Tappet Shim 2,25 | # | | | | | | | | | | | | | | | | | | | | | | | | | | | | | | | | | | | | | | | | | | | | | | | | | | |
| 12J | 13925024G | 0 | Plate Tappet Shim 2,30 | # | | | | | | | | | | | | | | | | | | | | | | | | | | | | | | | | | | | | | | | | | | | | | | | | | | |
| 12K | 13925025G | 0 | Plate Tappet Shim 2,35 | # | | | | | | | | | | | | | | | | | | | | | | | | | | | | | | | | | | | | | | | | | | | | | | | | | | |
| 12L | 13925026G | 0 <td Plate Tappet Shim 2,40 | # | | | 12M | 13925027G | 0 | Plate Tappet Shim 2,45 | # | | | 12N | 13925028G | 0 | Plate Tappet Shim 2,50 | # | | | 13 | 13825021 | 3 | TAPPET Assy | | | | 14 | 13825026 | 1 | Screw Air | | | | 15 | 13825025 | 1 | Washer,DRAIN Screw | | | | 16 | 13825027 | 1 | Screw HOLLOW | | | | 17 | 17325029.3 | 1 | Nipple Swivel | | | |
| 12M | 13925027G | 0 | Plate Tappet Shim 2,45 | # | | | | | | | | | | | | | | | | | | | | | | | | | | | | | | | | | | | | | | | | | | | | | | | | | | |
| 12N | 13925028G | 0 | Plate Tappet Shim 2,50 | # | | | | | | | | | | | | | | | | | | | | | | | | | | | | | | | | | | | | | | | | | | | | | | | | | | |
| 13 | 13825021 | 3 | TAPPET Assy | | | | | | | | | | | | | | | | | | | | | | | | | | | | | | | | | | | | | | | | | | | | | | | | | | | |
| 14 | 13825026 | 1 | Screw Air | | | | | | | | | | | | | | | | | | | | | | | | | | | | | | | | | | | | | | | | | | | | | | | | | | | |
| 15 | 13825025 | 1 | Washer,DRAIN Screw | | | | | | | | | | | | | | | | | | | | | | | | | | | | | | | | | | | | | | | | | | | | | | | | | | | |
| 16 | 13825027 | 1 | Screw HOLLOW | | | | | | | | | | | | | | | | | | | | | | | | | | | | | | | | | | | | | | | | | | | | | | | | | | | |
| 17 | 17325029.3 | 1 | Nipple Swivel | | | | | | | | | | | | | | | | | | | | | | | | | | | | | | | | | | | | | | | | | | | | | | | | | | | |



D GB01 4 3 Fuel Injection Pump

| Fig. | Ref. | Qty. | Descr. | Obs | From | UpTo |
|------|------------|------|-------------------|-----|------|------|
| 18 | 13825061 | 2 | Washer | | | |
| 19 | 13825030 | 3 | Plate Set | | | |
| 20 | 13825028.1 | 3 | Screw,W/Washer | | | |
| 21 | 17625006.4 | 1 | RACK Assy Control | | | |
| 22 | 13825062 | 2 | Screw | | | |
| 23 | 13925063 | 1 | Bracket Stop Wire | | | |
| 24 | 13925034G | 3 | Pin Tappet Guide | | | |

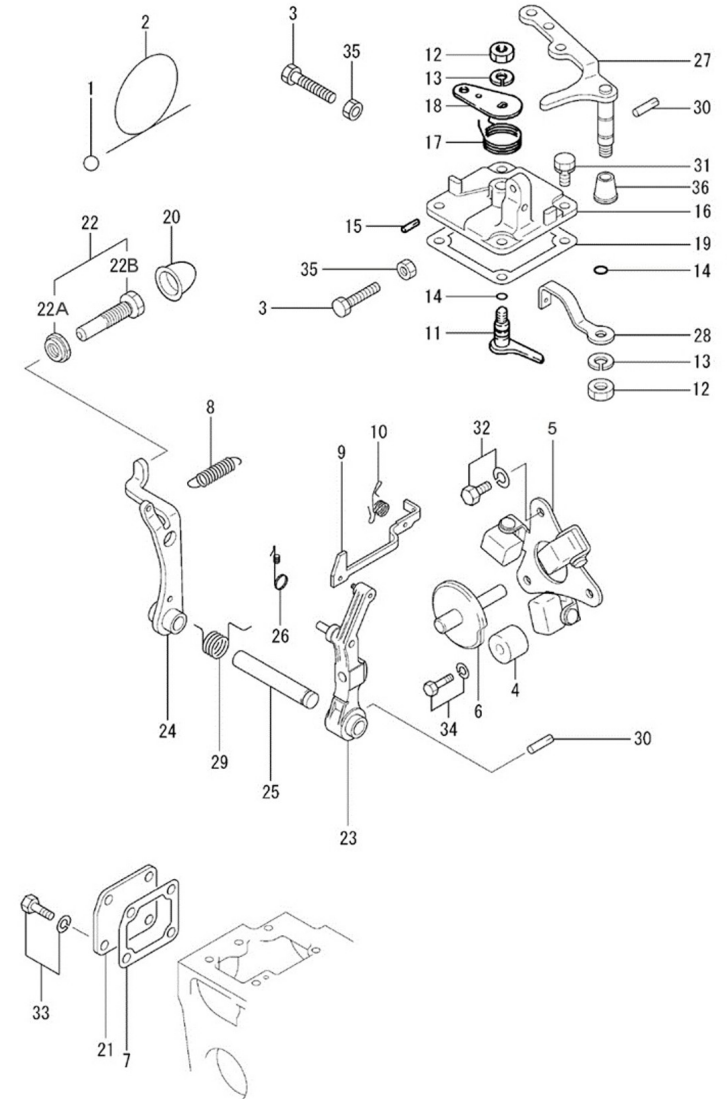


Genset 8 GT/GTC & 10 GTA/GTAC

Fuel System

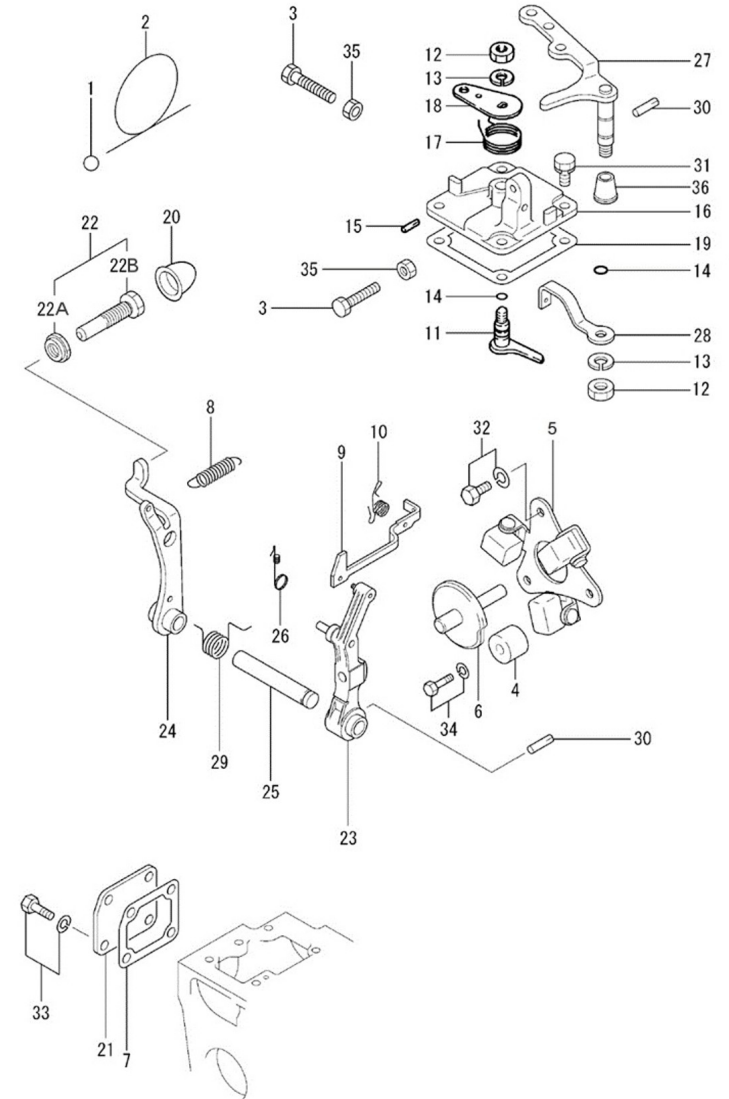
D GB01 4 4 Governor Parts

| Fig. | Ref. | Qty. | Descr. | Obs | From | UpTo |
|------|-------------|------|----------------------------------|-----|------------|------|
| 1 | 17623020.4 | 1 | Metal,Fuel | | 02/08/2017 | |
| 2 | 13123019 | 1 | Metal Sealing | | | |
| 3 | 13123017 | 2 | Bolt High Speed | | | |
| 4 | 13723005 | 1 | Stopper | | | |
| 5 | 13823001G.1 | 1 | WEIGHT Assy,GOverNOR (Generator) | | | |
| 6 | 60530009 | 1 | Shaft Assy,sliding | | | |
| 7 | 13823014 | 1 | Gasket Tie Rod CO | | | |
| 8 | 60539015G | 1 | Spring,Governor (Generator) | | | |
| 9 | 13923005 | 1 | ROD TIE | | | |
| 10 | 13823028 | 1 | Spring, Tie Rod | | | |
| 11 | 13823026 | 1 | Lever Assy Stop | | | |
| 12 | 17223030 | 1 | Nut | | | |
| 13 | 53033008 | 1 | Washer GROWER DIN 127-8 | | | |
| 14 | 13123021 | 1 | O-Ring D. 7X1.8 | | | |
| 15 | 13823031 | 1 | Pin GROOVED (3X14 | | | |
| 16 | 13923032G | 1 | Cover,GOverNOR | | | |
| 17 | 13823030 | 1 | Spring Return | | | |
| 18 | 13823029 | 1 | Lever Stop | | | |
| 19 | 13823033 | 1 | Gasket Governor Cover | | | |
| 20 | 13823042 | 1 | Cap TORQUE Set SE | | | |
| 21 | 13823043 | 1 | Cover TIE ROD | | | |
| 22 | (*) | 1 | Not available | | | |
| 22A | 17223035 | 1 | Nut | | | |
| 22B | 13823034 | 1 | RACK Set Screw (new) | | | |
| 23 | 13823003 | 1 | Lever Assy Governor | | | |
| 24 | 13823007 | 1 | Lever Assy TENSIO | | | |
| 25 | 13823006 | 1 | Shaft Governor | | | |
| 26 | 13823044 | 1 | Spring TIE ROD | | | |
| 27 | 13823008 | 1 | Lever Assy SPEED | | | |
| 28 | 13823027 | 1 | Lever Governor SP | | | |
| 29 | 13823036 | 1 | Spring START | | | |



D GB01 4 4 Governor Parts


| Fig. | Ref. | Qty. | Descr. | Obs | From | UpTo |
|------|------------|------|------------------------|-----|------|------|
| 30 | 13823009 | 2 | Pin GROOVED | | | |
| 31 | 52102155 | 4 | Bolt DIN 933 M6-12 8.8 | | | |
| 32 | 13821033.1 | 2 | Bolt,W/Washer | | | |
| 33 | 17620054 | 4 | Bolt | | | |
| 34 | 13923011G | 1 | Bolt,W/Washer | | | |
| 35 | 17223032 | 2 | Nut | | | |
| 36 | 17623045 | 1 | Cover,Governor Shaft | | | |

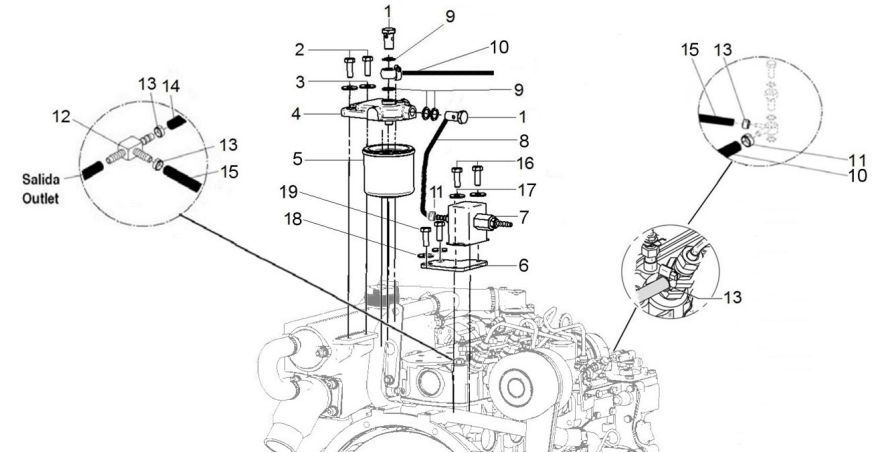


Genset 8 GT/GTC & 10 GTA/GTAC

Fuel System

D GB01 4 5 Fuel Supply Parts

| Fig. | Ref. | Qty. | Descr. | Obs | From | UpTo |
|-------------------------|----------|------|--|---|------------|------------|
| 1 | 12814051 | 2 | Screw,eye | | | |
| 2 | 52102258 | 2 | Bolt DIN 933 M8-25 8.8 | | | |
| 3 | 51031008 | 2 | Washer DIN 9021 8 | | | |
| 4 | 13114120 | 1 | Cover,filter f/.SMI | | | |
| 5 | 13114022 | 1 | Fuel Filter Element from MINI 10 to 55 | | | |
| 6 | 60539018 | 1 | Bracket | | | 25/12/2024 |
| 6 | 60539026 | 1 | Bracket | | 28/12/2024 | |
| 7 | 13814070 | 1 | Electric Fuel Feed Pump 12V | | | |
| Figure A for 12V System | | | | | | |
| 7A | 13814072 | 2 | Straight Hose Connector 1/8" NPTF | | | |
| 7B | 57000361 | 2 | Washer 10-14-1,5 | | | |
| 8 | 13914015 | 1 | Pipe | | | |
| 9 | 57000369 | 4 | Washer 14,2-20-1,5 | | | |
| 10 | 17614027 | 1 | Hose | | | |
| 11 | 51086016 | 2 | ONE EAR Clamp With INTERIOR Ring 14-16,3 | | | |
| 12 | 17614028 | 1 | Bypass "T" | | | |
| 13 | 51086010 | 4 | One Ear Clamp With Interior Ring 10-11,5 | | | |
| 14 | 17614026 | 1 | 0,04 M. Hose | | | |
| 15 | 17214025 | 1 | 0,31 M. Hose | | | |
| 16 | 52102153 | 2 | Bolt DIN 933 M6-8 8.8 | | | |
| 17 | 51030006 | 2 | Washer DIN 125-6 | | | |
| 18 | 53033010 | 2 | Washer GROWER DIN 127-10 | | | |
| 19 | 52202307 | 2 | Bolt DIN 933 M10-1,25-20 8.8 | | | |
| NS | 60900126 | 1 | TERMINAL |  | | |

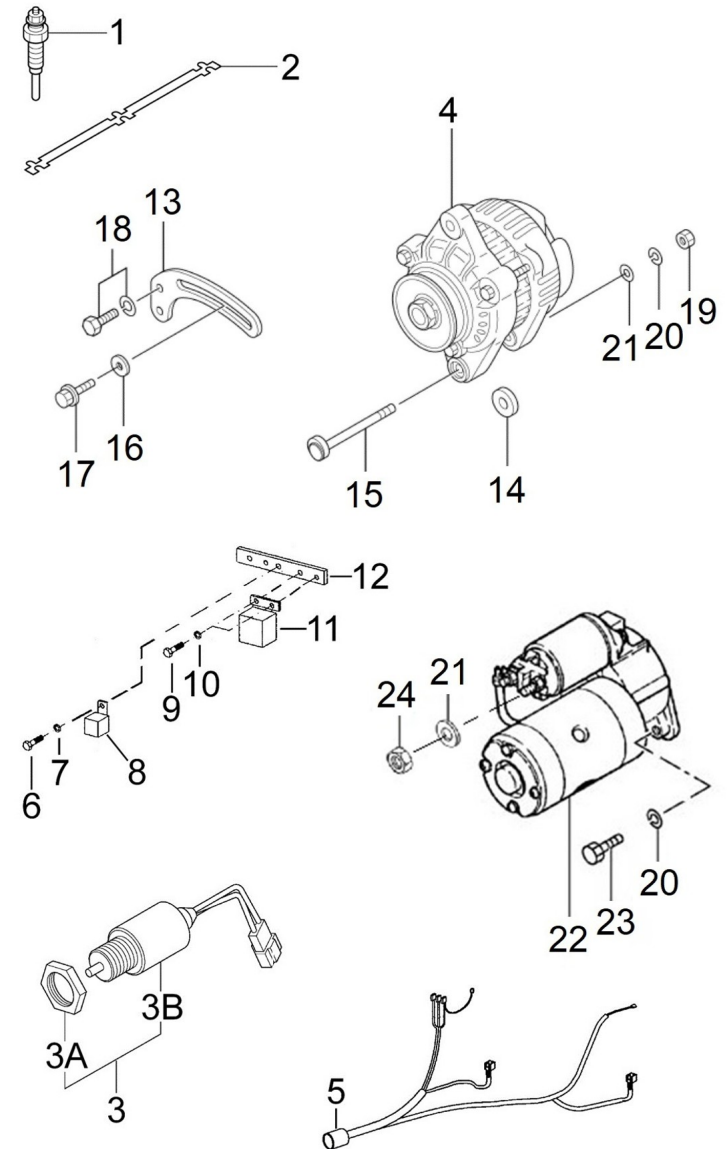


Genset 8 GT/GTC & 10 GTA/GTAC

Electrical System

D GB01 5 5 12V Electrical Wiring 12V






| Fig. | Ref. | Qty. | Descr. | Obs | From | UpTo |
|------|-------------|------|--------------------------------------|-----|------------|------------|
| 1 | 13827017 | 3 | Plug,Glow | | | |
| 2 | 17627018.4 | 1 | Plate Glow Plug | | | |
| 3 | 17324026G | 1 | SOLENOID, Assy | | | |
| 3A | 13425029 | 1 | Nut (old) | | | |
| 3A | 17224100R | 1 | Kit Injection Pipes 2nd Wall | | | |
| 3B | 13824021G | 1 | Reloy Stop | | | |
| 4 | 13827210 | 1 | Alternator 12V/40A | | | |
| 5 | 60939501.1 | 1 | MINI-26 ETR Electrical Wiring Genset | | | 25/12/2024 |
| 5 | 60939507 | 1 | MINI-26 ETR Electrical Wiring Genset | | 28/12/2024 | |
| 6 | 52102153 | 1 | Bolt DIN 933 M6-8 8.8 | | | |
| 7 | 51030006 | 1 | Washer DIN 125-6 | | | |
| 8 | 18217005 | 1 | Relay 12V 12-100 | | | |
| 9 | 52102104 | 2 | Bolt DIN 933 M5-10 8.8 | | | |
| 10 | 51030005 | 2 | Washer DIN 125-5 | | | |
| 11 | 13827005 | 1 | Glow Relay | | | |
| 12 | 13917001 | 1 | Support,relay | | 14/06/2013 | 25/12/2024 |
| 12 | 60539026 | 1 | Bracket | | 28/12/2024 | |
| 13 | 13827207 | 1 | BRACE | | | |
| 14 | 13827006 | 1 | Spacer Generator | | | |
| 15 | 13727008 | 1 | Bolt ALT. | | | |
| 16 | 51031008 | 1 | Washer DIN 9021 8 | | | |
| 17 | 13827012 | 1 | Bolt | | | |
| 18 | 17620054 | 1 | Bolt | | | |
| 19 | 17427053G.1 | 1 | Bolt Set (Generator) | | | |
| 20 | 53033008 | 3 | Washer GROWER DIN 127-8 | | | |
| 21 | 51030008 | 2 | Washer DIN 125-8 | | | |
| 22 | 13827002.1 | 1 | Starter Assy 12 V | | | |
| 23 | 52102259 | 2 | Bolt DIN 933 M8-30 8.8 | | | |
| 24 | 52120008 | 1 | Nut DIN 934 M8 8.8 | | | |
| NS | 60900028 | 2 | Diode 25A Studded cathode type DSI | | | |

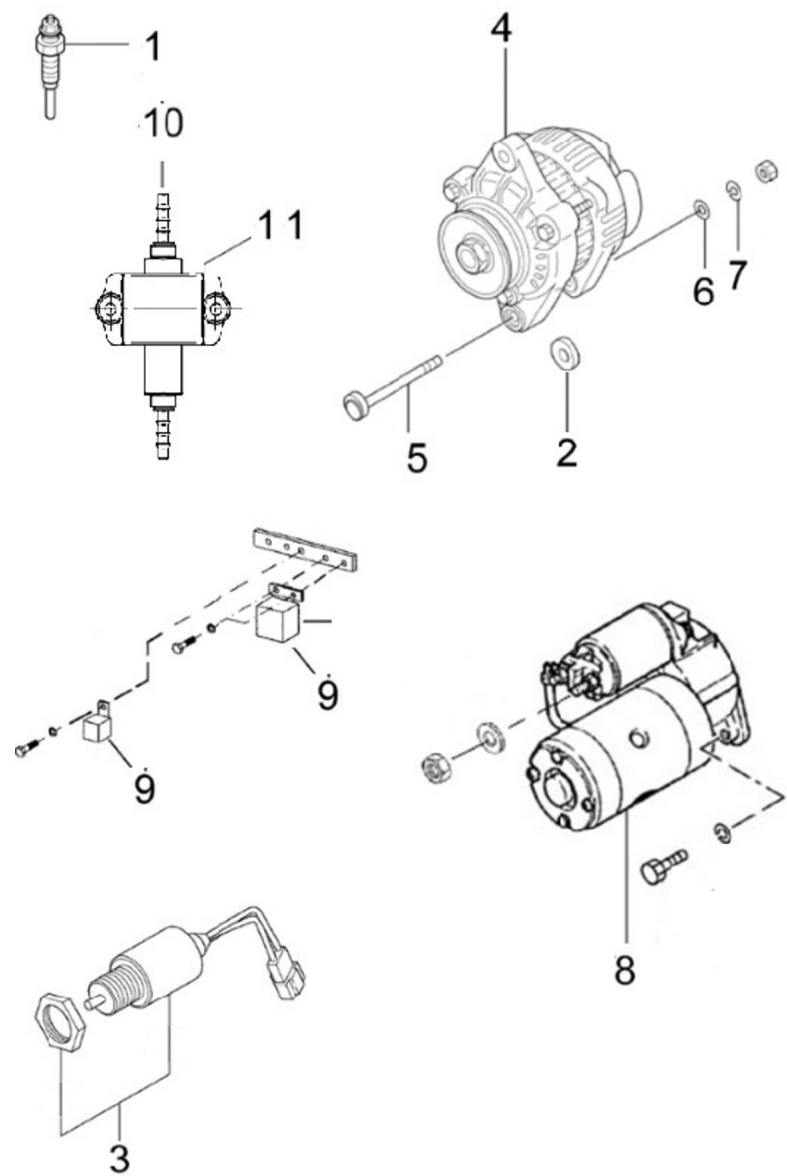


Genset 8 GT/GTC & 10 GTA/GTAC

Electrical System

D GB01 5 6 24V Electrical Wiring 24V

| Fig. | Ref. | Qty. | Descr. | Obs | From | UpTo |
|------|----------|------|--|---|------|------|
| 1 | 13927012 | 3 | Glow Plug 24V | | | |
| 2 | 13817116 | 1 | Spacer 8,5X25X10 | | | |
| 3 | 13924022 | 1 | Stop Solenoid 24V ETR | | | |
| 4 | 13927203 | 1 | Alt. 28V/25 | | | |
| 5 | 52101273 | 1 | Bolt DIN 931 M8-100 8.8 | | | |
| 6 | 51030008 | 2 | Washer DIN 125-8 | | | |
| 7 | 53033008 | 1 | Washer GROWER DIN 127-8 | | | |
| 8 | 13927002 | 1 | Starter Assy 24V | | | |
| 9 | 17417005 | 1 | Relay 24V 24-100 | | | |
| 10 | 19014070 | 1 | Pump 24V. | | | |
| 11 | 13814072 | 2 | Straight Hose Connector 1/8" NPTF | | | |
| NS | 51030005 | 1 | Washer DIN 125-5 |  | | |
| NS | 51086016 | 1 | ONE EAR Clamp With INTERIOR Ring 14-16,3 |  | | |
| NS | 52120005 | 1 | Nut DIN 934 M5 8.8 |  | | |
| NS | 57000361 | 2 | Washer 10-14-1,5 |  | | |
| NS | 60900126 | 1 | TERMINAL |  | | |



D MI26GSTST 05 5 Panels for Genset




| Fig. | Ref. | Qty. | Descr. | Obs | From | UpTo |
|------|---------------|------|----------------------------------|-----|------|------|
| 1A | 61939230S | 1 | Panel SCO5 7 GSC 12V 230V | | | |
| 1A | 61939240T.18S | 1 | Panel SCO 5 10 GTAC 12V 240V | | | |
| 1B | 61939240.18S | 1 | Panel SCO 5 8 GSAC 12V 240V | | | |
| 1B | 61939480.18S | 1 | Panel SCO 5 10 GTAC 12V 480/277V | | | |
| 1C | 61939230TS | 1 | Panel SCO 5 8 GTC 12V 230V | | | |
| 1D | 61939400S | 1 | Panel SCO 5 8 GTC 12V 400/230V | | | |

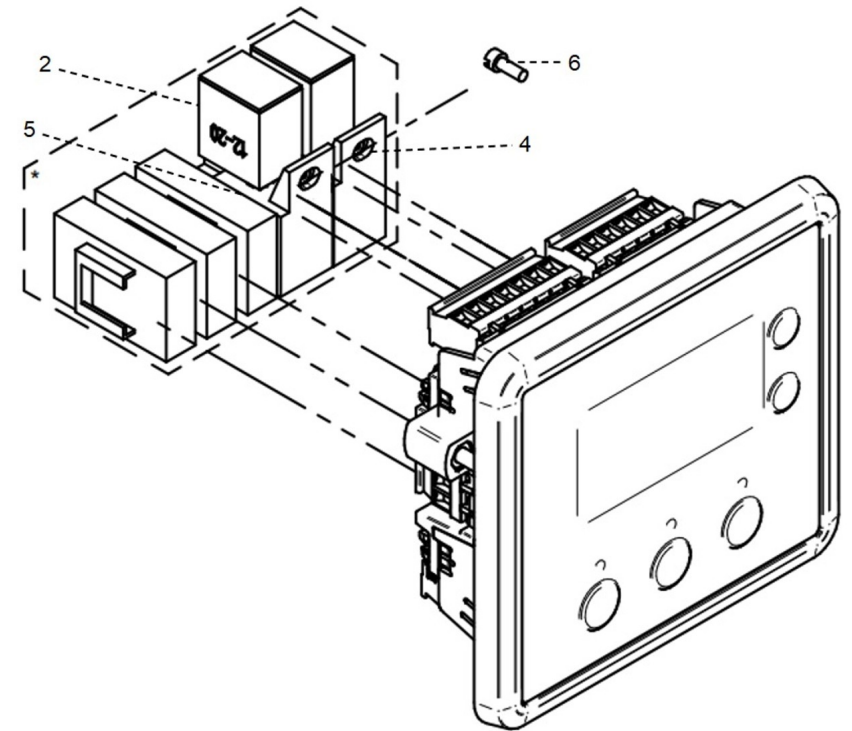


Genset 8 GT/GTC & 10 GTA/GTAC

Electrical System

D PANELGRUPO2_01 Panel Components for Genset

| Fig. | Ref. | Qty. | Descr. | Obs | From | UpTo |
|-------------------------|----------|------|---|---|------|------------|
| 2A | 60900091 | 4 | MICRO Relay 12V 12-20 | | | |
| Figure A for 12V System | | | | | | |
| 2B | 60900092 | 4 | MICRO Relay 24V 24-10 | | | |
| Figure b for 24V System | | | | | | |
| 4 | 51030005 | 2 | Washer DIN 125-5 | | | |
| 5 | 61900001 | 1 | Rail Guide For Modular Micro Relay Holder - Fusible | | | 29/03/2023 |
| 5 | 61900002 | 1 | Rail Guide For Modular Micro Relay Holder - Fusible | | | 29/03/2023 |
| 6 | 51918054 | 2 | Bolt DIN 7981C 3,5-9,5 | | | |
| NS | 60972112 | 1 | Wiring BRIDGE MONOF. Panel COMAP |  | | |
| NS | 60972123 | 1 | Electrical System Back Panel SCO 5 |  | | |
| NS | 61972124 | 1 | SCO 5 Panel Screw Bracket |  | | |



Genset 8 GT/GTC & 10 GTA/GTAC

Electrical System

D WIC1 1 1 Genset Extension

| <i>Fig.</i> | <i>Ref.</i> | <i>Qty.</i> | <i>Descr.</i> | <i>Obs</i> | <i>From</i> | <i>UpTo</i> |
|-------------|--------------|-------------|---|------------|-------------|-------------|
| 1A | 60938210I | 1 | Genset Wiring Ext. 3 M. CPC | | | |
| 1B | 60985210I | 1 | Genset Wiring Ext. 4 M. CPC | | | |
| 1C | 60938221 | 1 | Genset Wiring Ext. 6 M. CPC | | | |
| 1D | 60938212 | 1 | Genset Wiring Ext. 8 M. CPC | | | |
| 1E | 60985210.12I | 1 | Genset Wiring Ext. 12 M. CPC | | | |
| 1F | 60985210.18I | 1 | Genset Wiring Ext. 18 M. CPC | | | |
| 1G | 60985210.24I | 1 | Genset Wiring Ext. 24 M. CPC | | | |
| 1H | 60985210.30I | 1 | Genset Wiring Ext. 30 M. CPC | | | |
| 1I | 60974552 | 1 | 3-way Wiring Wxtension for Auxilliary Kits 4 m | | | |
| 1J | 60900165 | 1 | 3-way Wiring Extension for Auxilliary Kits 6 m | | | |
| 1K | 60900166 | 1 | 3-way Wiring Extension for Auxilliary Kits 12 m | | | |
| 1L | 60900167 | 1 | 3-way Wiring Extension for Auxilliary Kits 24 m | | | |
| 1M | 60972104 | 1 | Double Panel SCO 12 M. Harness | | | |
| 1N | 60972105 | 1 | Double Panel SCO 24 M. Harness | | | |
| 1O | 60972110 | 1 | Double Panel SCO 36 M. Harness | | | |
| 1P | 60972145 | 1 | Double Panel SCO 45 M. Harness | | | |



D MI26GTST 06 1

Alternator 8 GT/GTC Y 10 GTA/GTAC

| <i>Fig.</i> | <i>Ref.</i> | <i>Qty.</i> | <i>Descr.</i> | <i>Obs</i> | <i>From</i> | <i>UpTo</i> |
|-------------|-------------|-------------|---|------------|-------------|-------------|
| 1A | 60511308SRC | 1 | Al.SINCRO III 8,5KVA 1500 400/230V (RC) | | | |
| 1B | 60511308SRS | 1 | Al.SINCRO III 8,5KVA 1500 400/230V (RS) | | | |
| 1B | 60511309SRC | 1 | Al.SINCRO III 11KVA 1800 480/277V (RC) | | | |
| 1C | 60511309SRS | 1 | Al.SINCRO III 11KVA 1800 480/277V (RS) | | | |
| 1D | 60511310SRC | 1 | Al.SINCRO III 8,5KVA 1500RPM 230V (RC) | | | |
| 1E | 60511310SRS | 1 | Al.SINCRO III 8,5KVA 1500RPM 230V (RS) | | | |

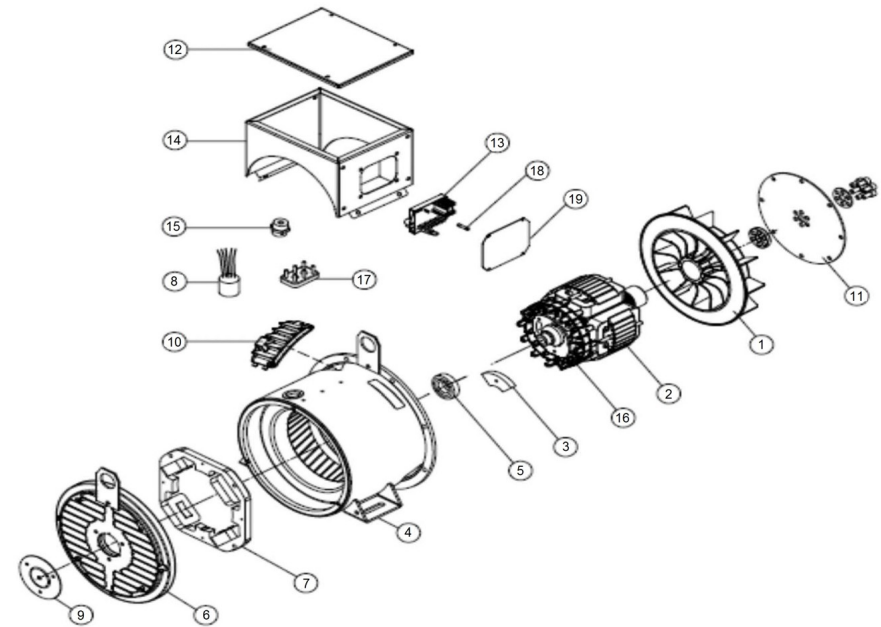


Genset 8 GT/GTC & 10 GTA/GTAC

Genset Alternator Spare Parts

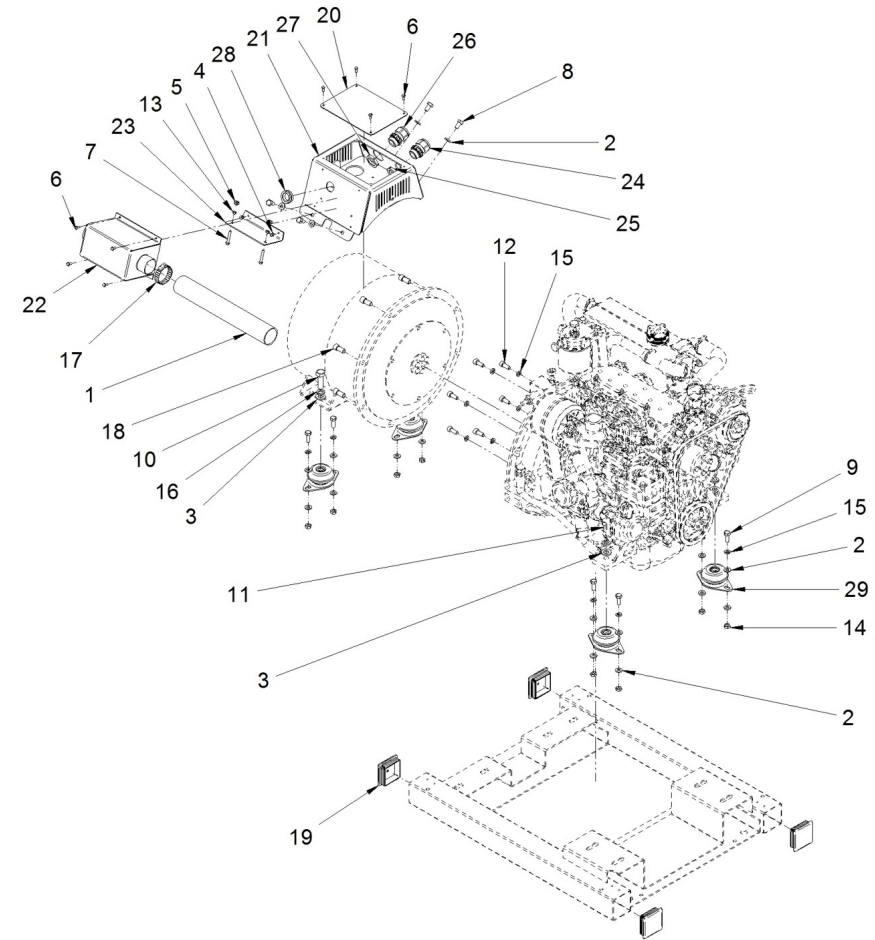
D 60511309S 3 Phase SINCRO ALT. Genset Kit (C)

| Fig. | Ref. | Qty. | Descr. | Obs | From | UpTo |
|------|----------------|------|------------------------------------|-----|------|------|
| 1 | 60511107S.1 | 1 | Fan SK160S-, C-, M- 4P | | | |
| 2 | (*) | 2 | Not available | | | |
| 3 | 60511107S.3 | 1 | Diode Bridge | | | |
| 5 | 60511107S.5 | 1 | Bearing 6206 2RS/C3 | | | |
| 6 | 60511107S.13 | 1 | Rear Shield | | | |
| 7 | 60511107S.25 | 1 | Exciter Stator SK160S- | | | |
| 8 | 60511308S.1 | 1 | EMC Filter SK160S-, C-, M- | | | |
| 9 | 60511107S.26 | 5 | Rear Shield Cover | | | |
| 10 | 60511107S.10 | 5 | IP23 Grid | | | |
| 11 | 60511107S.27 | 1 | SAE Kit Disk 6,5" | | | |
| 12 | 60511107S.12 | 1 | Top Cover SK160S-, C-, M- | | | |
| 13 | 60511107S.35.1 | 1 | Electronic Board AVR BL4 U | | | |
| 14 | 60511107S.28 | 1 | Terminal Box SK160S-, C-, M- Boîte | | | |
| 16 | 60511107S.15 | 1 | M6 Insulator Clamp | | | |
| 16 | 60511107S.16 | 1 | M8 Insulator Clamp | | | |
| 16 | 60511107S.29 | 1 | Exciter Rotor SK160S- 4P | | | |
| 17 | 60511107S.18 | 1 | M6 Terminal Board | | | |
| 17 | 60511107S.19 | 1 | M8 Terminal Board | | | |
| 18 | 60511107S.20 | 10 | Fuse 5x20 3,15A F | | | |
| 19 | 60511107S.21 | 1 | Cover on Regulator Side | | | |
| 20 | UMSINCRO1 | 1 | SINCRO SK160 Special Tool | | | |



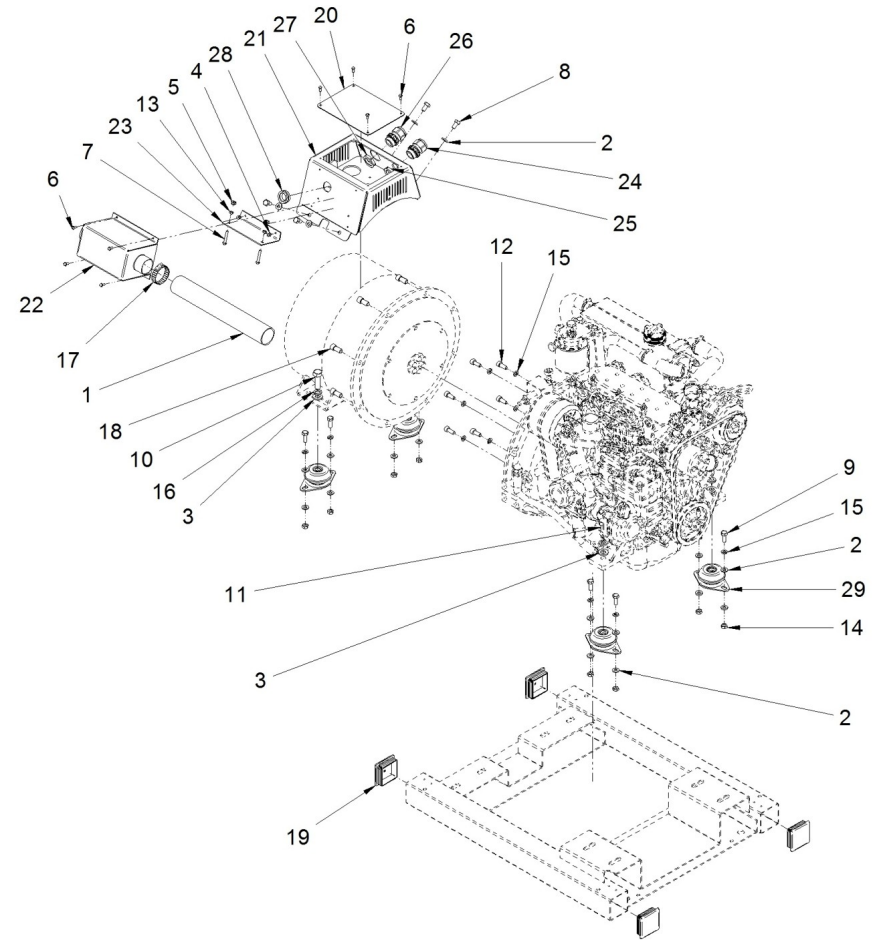
D 60539065 Alternator Kit Without Canopy

| Fig. | Ref. | Qty. | Descr. | Obs | From | UpTo |
|------|-------------|------|---|-----|------|------|
| 1 | M88564500 | 0.0 | Air Aspiration Hose D. 45 | | | |
| 2 | 51030008 | 20 | Washer DIN 125-8 | | | |
| 3 | 51030012 | 4 | Washer DIN 125-12 | | | |
| 5 | 51123005 | 2 | Nut DIN 985 M5 5.6 | | | |
| 6 | 52102054 | 8 | Bolt DIN 933 M4-10 8.8 | | | |
| 7 | 52102110 | 2 | Bolt DIN 933 M5-30 8.8 CINCADO | | | |
| 8 | 52102256 | 4 | Bolt DIN 933 M8-16 8.8 | | | |
| 9 | 52102257 | 8 | Bolt DIN 933 M8-20 8.8 | | | |
| 10 | 52102359 | 2 | Bolt DIN 933 M12-30 8.8 | | | |
| 11 | 52102360 | 2 | Bolt DIN 933 M12-35 8.8 | | | |
| 12 | 52103257 | 6 | Bolt DIN 912 M8-20 8.8 | | | |
| 13 | 52120005 | 2 | Nut DIN 934 M5 8.8 | | | |
| 14 | 52120008 | 8 | Nut DIN 934 M8 8.8 | | | |
| 15 | 53033008 | 14 | Washer GROWER DIN 127-8 | | | |
| 16 | 53033012 | 4 | Washer Grower DIN 127-12 | | | |
| 17 | 54082032 | 2 | Clamp DIN 3017 32-50/12 W4 | | | |
| 18 | 60539017 | 8 | ALT. SINCRO FASTENING Bolt | | | |
| 19 | 60539019 | 1 | LID (60 Tube) | | | |
| 20 | 60539024 | 1 | REGULATOR LID | | | |
| 21 | 60539041.49 | 1 | Terminals Protection Plate | | | |
| 22 | 60573041.71 | 1 | REGULATOR Bracket Box | | | |
| 23 | 60573041.72 | 1 | VOLT REGULATOR Bracket Box | | | |
| 24 | 60900306 | 1 | Connector Press CAPTOR-2000 M25 RAL7001 | | | |
| 25 | 60900309 | 1 | Screw Connector Press Captor-2000 M25 | | | |
| 26 | 60900310 | 1 | Connector Press CAPTOR-2000 M32 RAL7001 | | | |
| 27 | 60900311 | 1 | Screw Connector Press Captor-2000 M32 | | | |
| 28 | 60900517 | 1 | Cover,wiring | | | |
| 29 | 61638001 | 4 | Engine Mount Type F 50 SHA M12 H 34 | | | |
| NS | 52120006 | 1 | Nut DIN 934 M6 8.8 | | | |
| NS | 53104257 | 4 | Bolt DIN 7984 M8-20 12.9 | | | |
| NS | 58018160 | 1 | Screw | | | |



D 60539065 Alternator Kit Without Canopy

| Fig. | Ref. | Qty. | Descr. | Obs | From | UpTo |
|------|--------------|------|-------------------------------|-----|------|------|
| NS | 58088284 | 1 | Pastic Cable Zip Tie | | | |
| NS | 60511112S.81 | 2 | 16 mm Hexagon Plug | | | |
| NS | 60900158 | 1 | Terminal Tubular Sleeve (1.5) | | | |
| NS | TR.1.5.6 | 4 | Ring Terminal 1.5 Sec. | | | |

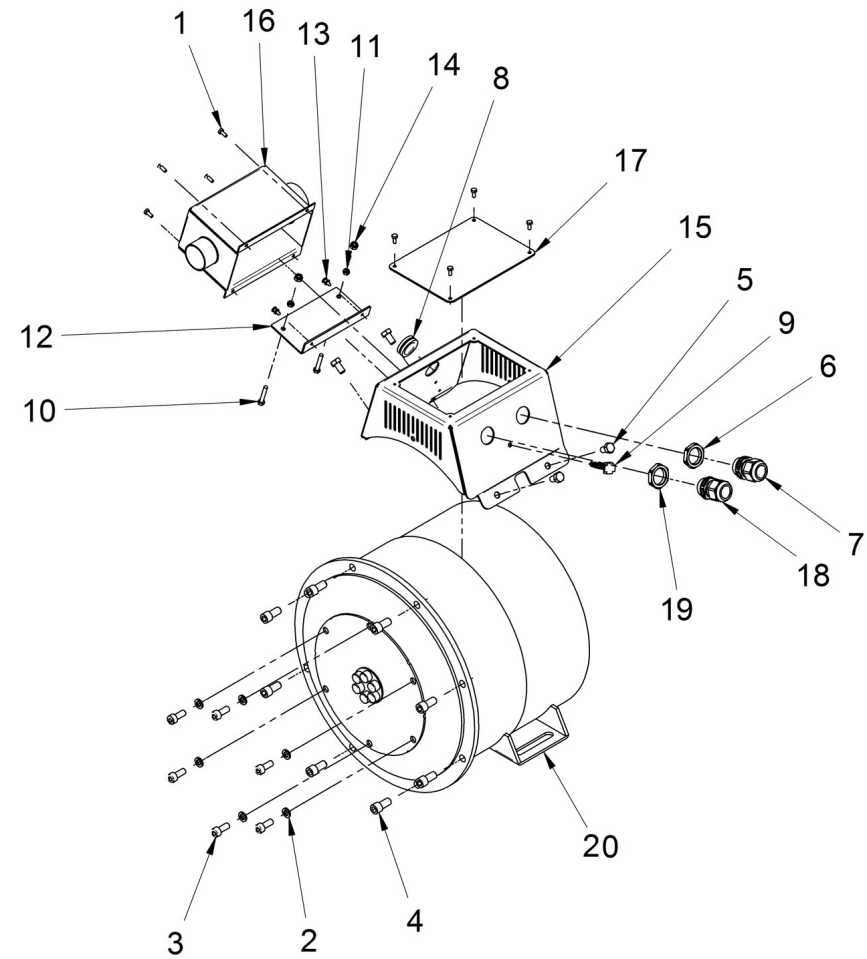


Genset 8 GT/GTC & 10 GTA/GTAC

Genset Alternator Kit

D 60539064 Alternator Kit With Canopy 400/230V y 480/277V

| Fig. | Ref. | Qty. | Descr. | Obs | From | UpTo |
|------|-------------|------|---|-----|------|------|
| 1 | 52102054 | 8 | Bolt DIN 933 M4-10 8.8 | | | |
| 2 | 53033008 | 6 | Washer GROWER DIN 127-8 | | | |
| 3 | 52103257 | 6 | Bolt DIN 912 M8-20 8.8 | | | |
| 4 | 60539017 | 8 | ALT. SINCRO FASTENING Bolt | | | |
| 5 | 52102256 | 4 | Bolt DIN 933 M8-16 8.8 | | | |
| 6 | 60900309 | 1 | Screw Connector Press Captor-2000 M25 | | | |
| 7 | 60900306 | 1 | Connector Press CAPTOR-2000 M25 RAL7001 | | | |
| 8 | 60900517 | 1 | Cover,wiring | | | |
| 9 | 58018160 | 1 | Screw | | | |
| 10 | 52102110 | 2 | Bolt DIN 933 M5-30 8.8 CINCADO | | | |
| 11 | 52120005 | 2 | Nut DIN 934 M5 8.8 | | | |
| 12 | 60573041.72 | 1 | VOLT REGULATOR Bracket Box | | | |
| 13 | 51058054 | 2 | Aluminium Rivet 4.0 X 10 | | | |
| 14 | 51123005 | 2 | Nut DIN 985 M5 5.6 | | | |
| 15 | 60539041.49 | 1 | Terminals Protection Plate | | | |
| 16 | 60573041.71 | 1 | REGULATOR Bracket Box | | | |
| 17 | 60539024 | 1 | REGULATOR LID | | | |
| 18 | 60900310 | 1 | Connector Press CAPTOR-2000 M32 RAL7001 | | | |
| 19 | 60900311 | 1 | Screw Connector Press Captor-2000 M32 | | | |
| 20 | 60511308S | 1 | AL.SINCRO III 8,5KVA 1500RPM 400/230V | | | |
| NS | 54082032 | 2 | Clamp DIN 3017 32-50/12 W4 | ☒ | | |
| NS | 58088285 | 2 | Pastic Cable Zip Tie | ☒ | | |
| NS | 60939085 | 1 | FOUR Poles 10A DISConnector | ☒ | | |
| NS | 60972072A | 1 | N BLUE Breaker TO ALT. SYStem | ☒ | | |
| NS | 60972072G | 1 | W GRAY Breaker TO ALT. SYStem | ☒ | | |
| NS | 60972072M | 1 | V BROWN Breaker TO ALT. SYStem | ☒ | | |
| NS | 60972072N | 1 | U BLACK Breaker TO ALT. SYStem | ☒ | | |

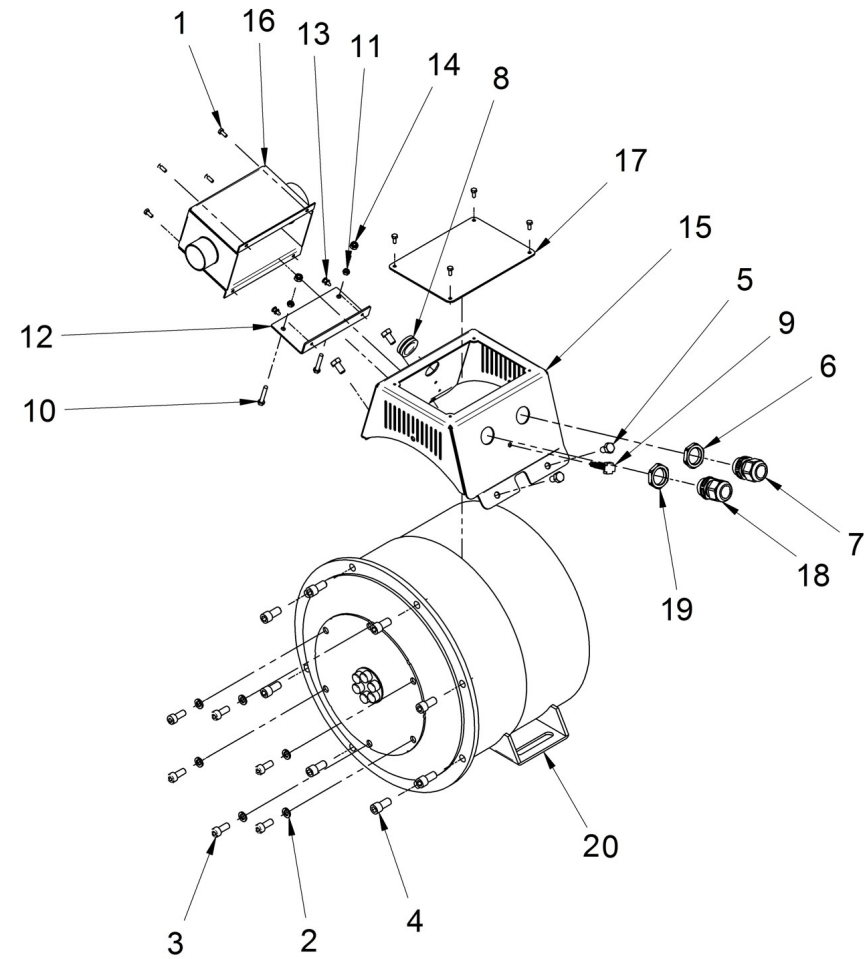


Genset 8 GT/GTC & 10 GTA/GTAC

Genset Alternator Kit

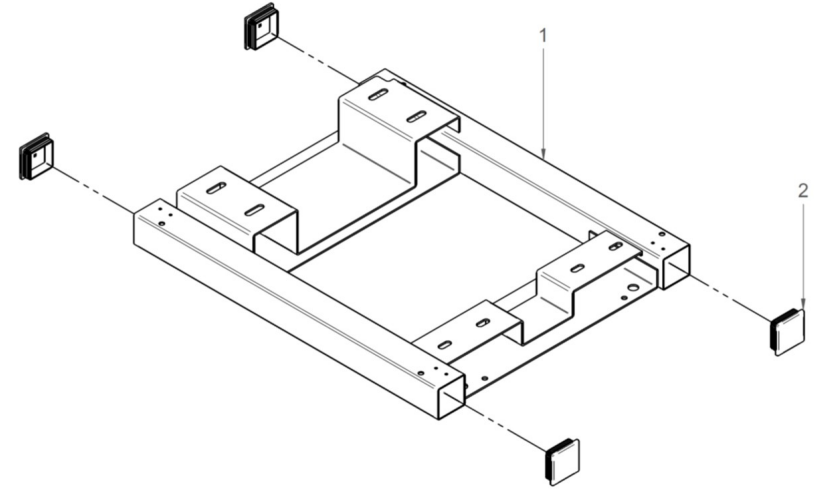
D 60539066 Alternator Kit With Canopy 230V y 240V

| Fig. | Ref. | Qty. | Descr. | Obs | From | UpTo |
|------|-------------|------|---|-----|------|------|
| 1 | 52102054 | 8 | Bolt DIN 933 M4-10 8.8 | | | |
| 2 | 53033008 | 8 | Washer GROWER DIN 127-8 | | | |
| 3 | 52103257 | 8 | Bolt DIN 912 M8-20 8.8 | | | |
| 4 | 60539017 | 8 | ALT. SINCRO FASTENING Bolt | | | |
| 5 | 52102256 | 4 | Bolt DIN 933 M8-16 8.8 | | | |
| 6 | 60900309 | 1 | Screw Connector Press Captor-2000 M25 | | | |
| 7 | 60900306 | 1 | Connector Press CAPTOR-2000 M25 RAL7001 | | | |
| 8 | 60900517 | 1 | Cover,wiring | | | |
| 9 | 58018160 | 1 | Screw | | | |
| 10 | 52102110 | 2 | Bolt DIN 933 M5-30 8.8 CINCADO | | | |
| 11 | 52120005 | 2 | Nut DIN 934 M5 8.8 | | | |
| 12 | 60573041.72 | 1 | VOLT REGULATOR Bracket Box | | | |
| 13 | 51058054 | 1 | Aluminium Rivet 4.0 X 10 | | | |
| 14 | 51123005 | 2 | Nut DIN 985 M5 5.6 | | | |
| 15 | 60539041.49 | 1 | Terminals Protection Plate | | | |
| 16 | 60573041.71 | 1 | REGULATOR Bracket Box | | | |
| 17 | 60539024 | 1 | REGULATOR LID | | | |
| 18 | 60900310 | 1 | Connector Press CAPTOR-2000 M32 RAL7001 | | | |
| 19 | 60900311 | 1 | Screw Connector Press Captor-2000 M32 | | | |
| 20 | 60511308S | 1 | AL.SINCRO III 8,5KVA 1500RPM 400/230V | | | |
| NS | 54082032 | 2 | Clamp DIN 3017 32-50/12 W4 | ☒ | | |
| NS | 58088285 | 2 | Pastic Cable Zip Tie | ☒ | | |
| NS | 60939087 | 1 | Disconnecter 20A 3 poles | ☒ | | |
| NS | 60972072A | 1 | N BLUE Breaker TO ALT. SYStem | ☒ | | |
| NS | 60972072G | 1 | W GRAY Breaker TO ALT. SYStem | ☒ | | |
| NS | 60972072M | 1 | V BROWN Breaker TO ALT. SYStem | ☒ | | |
| NS | 60972072N | 1 | U BLACK Breaker TO ALT. SYStem | ☒ | | |



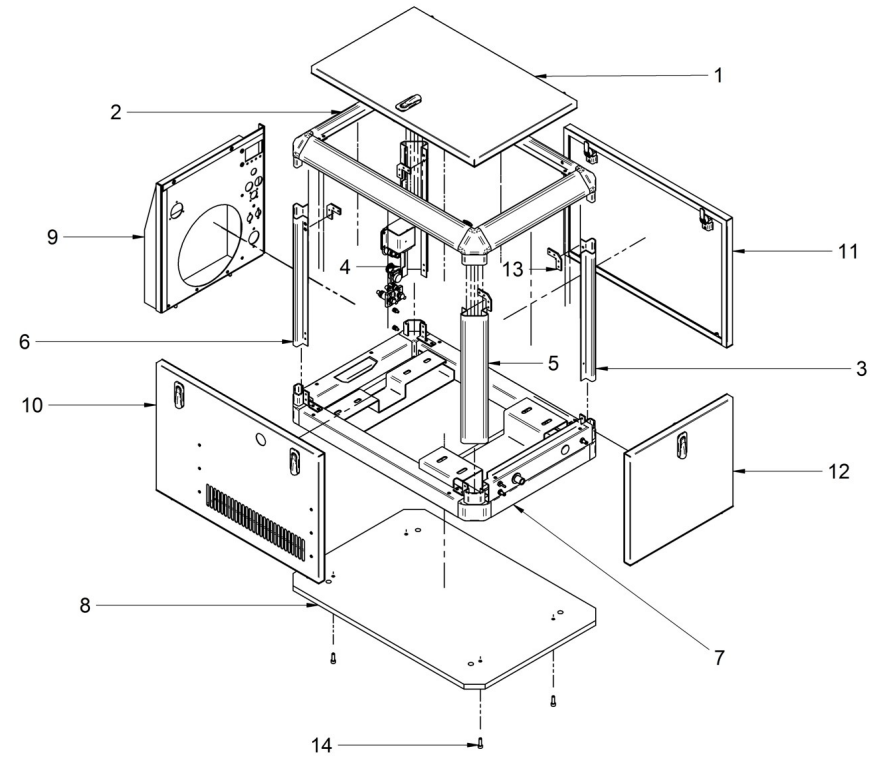
D 60539041.01 **Genset Chassis**

| <i>Fig.</i> | <i>Ref.</i> | <i>Qty.</i> | <i>Descr.</i> | <i>Obs</i> | <i>From</i> | <i>UpTo</i> |
|-------------|-------------|-------------|----------------|------------|-------------|-------------|
| 1 | 60539041.01 | 1 | Genset CHASSIS | | | |
| 2 | 60539019 | 4 | LID (60 Tube) | | | |



D 60539041 Soundproof Cabin Group MI26

| <i>Fig.</i> | <i>Ref.</i> | <i>Qty.</i> | <i>Descr.</i> | <i>Obs</i> | <i>From</i> | <i>UpTo</i> |
|-------------|-------------|-------------|------------------------|------------|-------------|-------------|
| 1 | 60539041.20 | 1 | Upper Panel | | | |
| 2 | 60539041.30 | 1 | Upper FRAME | | | |
| 3 | 60539041.03 | 1 | VERTICAL BAR | | | |
| 4 | 60539041.04 | 1 | VERTICAL BAR | | | |
| 5 | 60539041.31 | 1 | VERTICAL BAR | | | |
| 6 | 60539041.32 | 1 | VERTICAL BAR | | | |
| 7 | 60539041.63 | 1 | Bottom Frame | | | |
| 8 | 60539041.10 | 1 | BASEBOARD | | | |
| 9 | 60539041.25 | 1 | Back Panel | | | |
| 10 | 60539041.22 | 1 | Air Output Panel | | | |
| 11 | 60539041.21 | 1 | Side Panel | | | |
| 12 | 60539041.24 | 1 | FrontAL Panel | | | |
| 13 | 60573041.43 | 4 | L Fastening Bracket | | | |
| 14 | 52103258 | 4 | Bolt DIN 912 M8-25 8.8 | | | |

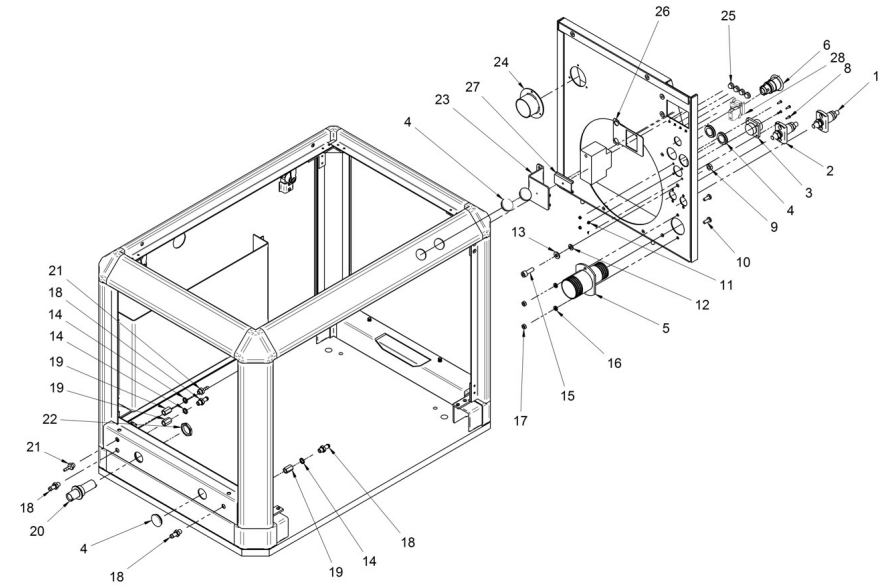


Genset 8 GT/GTC & 10 GTA/GTAC

Canopy Spare Parts

D 60539059 Kit Cabin Alt.SINCRO

| Fig. | Ref. | Qty. | Descr. | Obs | From | UpTo |
|------|-------------|------|--|-----|------|------|
| 1 | 60573047 | 1 | Battery Plug IN | | | |
| 2 | 60573048 | 1 | Battery Plug IN | | | |
| 3 | 60939501 | 1 | MINI-26 Electrical Wiring Genset | | | |
| 4 | 60900502 | 5 | Shutter 27 | | | |
| 5 | 60539022 | 1 | Exhaust Wall Bushing D.50-40 | | | |
| 6 | 60900510 | 1 | Emergency Stop PUSH BOTTOM | | | |
| 8 | 54118004 | 4 | Bolt DIN 7985 M3-10 INOX | | | |
| 9 | 54120008 | 1 | Nut DIN 934 M8 | | | |
| 10 | 54118156 | 2 | Bolt DIN 7985 M6-16 INOX | | | |
| 11 | 52120003 | 4 | Nut DIN 934 M3 8.8 | | | |
| 12 | 53038008 | 1 | Washer DIN 6798-A 8 | | | |
| 13 | 51030008 | 2 | Washer DIN 125-8 | | | |
| 14 | 57000361 | 3 | Washer 10-14-1,5 | | | |
| 15 | 54103258 | 1 | Bolt DIN 912 M8-25 INOX. | | | |
| 16 | 53033006 | 2 | Washer GROWER DIN 127-6 | | | |
| 17 | 54120006 | 2 | Nut DIN 934 M6 INOX | | | |
| 18 | 13814072 | 4 | Straight Hose Connector 1/8" NPTF | | | |
| 19 | 60573041.39 | 3 | ROD Coupling 1/8 BSP | | | |
| 20 | 60572014 | 1 | Water Wall Bushing D.20 | | | |
| 21 | 60571041.39 | 2 | Gasoil Wall Bushing D.6 MALE | | | |
| 22 | 60572014.1 | 1 | 3/4" GAS Nut | | | |
| 23 | 60573041.42 | 1 | L FASTENING Bracket With OMEGA | | | |
| 24 | 60573041.46 | 1 | Air Connection D.50 | | | |
| 25 | 60900509 | 2 | Shutter 6 | | | |
| 26 | 60572041.70 | 1 | Genset Switch Disconnecter Bracket | | | |
| 27 | 60573041.62 | 1 | Switch Disconnecter Omega Bracket | | | |
| 28 | 60900511 | 1 | Stop PUSH BOTTOM Body | | | |
| NS | 51058054 | 22 | Aluminium Rivet 4.0 X 10 | ☒ | | |
| NS | 60972074 | 1 | 0,44 M. Back Panel To Alt. Wiring Ground | ☒ | | |
| NS | 60972076 | 1 | 0,36 M. CHASSIS TO MOTOR Wiring GROUND | ☒ | | |
| NS | 60972090 | 2 | TER. PROTECTIVE 20 RED | ☒ | | |

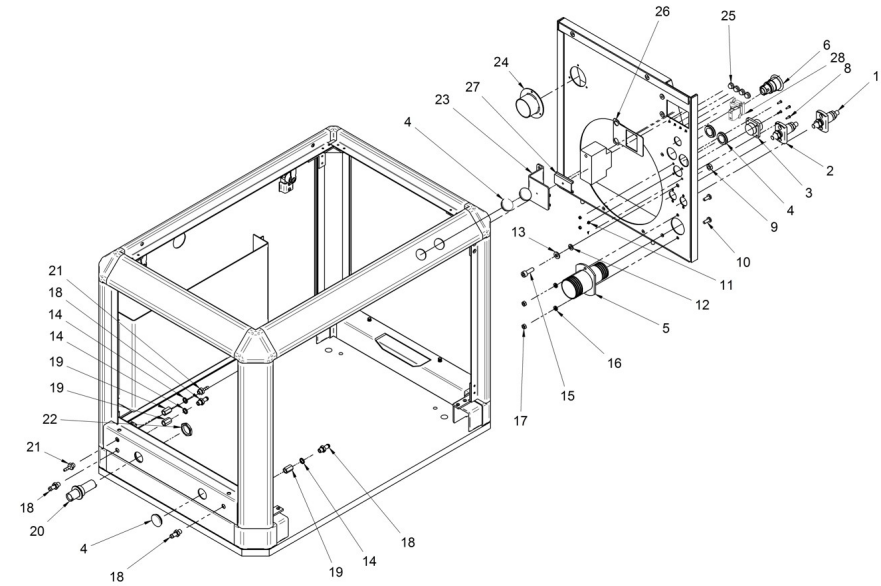


Genset 8 GT/GTC & 10 GTA/GTAC

Canopy Spare Parts

D 60539059 Kit Cabin Alt.SINCRO



| Fig. | Ref. | Qty. | Descr. | Obs | From | UpTo |
|------|---------------|------|---------------------------------|------|------|------|
| NS | 60972091 | 2 | TER. PROTECTIVE 20 BLACK | [NS] | | |
| NS | 60972094 | 1 | TER. PROTECTIVE 28 RED | [NS] | | |
| NS | 60973048 | 1 | BLACK Battery NEGATIVE Wiring | [NS] | | |
| NS | 60973049 | 1 | RED Battery POSITIVE Wiring | [NS] | | |
| NS | CAP.FLEXI0048 | 1 | Rubber Cap D. 4.8 X 13 | [NS] | | |
| NS | CAP.FLEXI0064 | 2 | Rubber Cap D. 6,4x13 | [NS] | | |
| NS | M80501006 | 1.0 | Hose D.10-6 | [NS] | | |
| NS | M81510817 | 1.0 | Fuel Hose D. 8-16 | [NS] | | |
| NS | M86500512 | 1.0 | Fuel Hose DIN 73379 D. 5-11 | [NS] | | |
| NS | M87501927 | 0.0 | Water Intake Hose (HQ) D. 19-27 | [NS] | | |
| NS | M88505062 | 0.0 | Exhaust Hose D. 51 | [NS] | | |
| NS | M88564000 | 0.0 | Air Aspiration Hose D. 40 | [NS] | | |
| NS | M88564500 | 0.0 | Air Aspiration Hose D. 45 | [NS] | | |
| NS | M88565000 | 0.0 | Air Aspiration Hose D. 50 | [NS] | | |

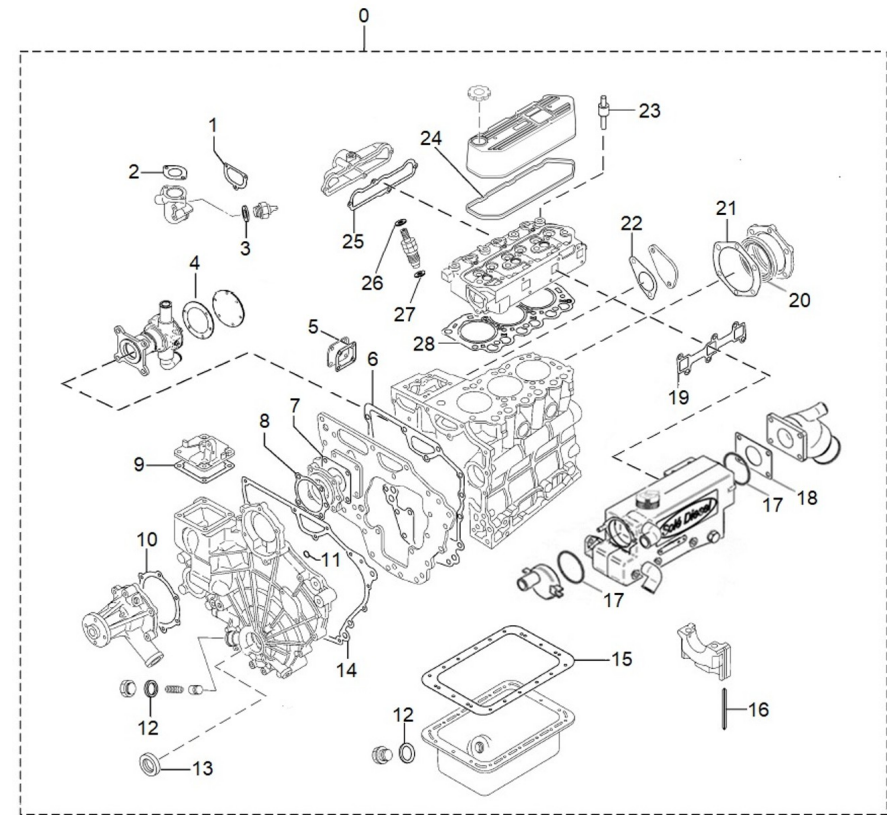


Genset 8 GT/GTC & 10 GTA/GTAC

Maintenance Kit

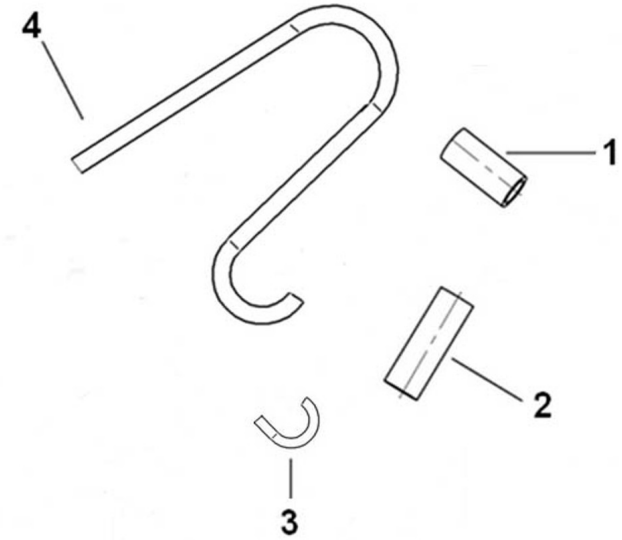
D 13920101 Gasket Kit

| Fig. | Ref. | Qty. | Descr. | Obs | From | UpTo |
|------|-------------|------|-----------------------------|---|------|------------|
| 0 | 13920101 | 1 | Kit Gasket | | | |
| 1 | 17621033.4 | 1 | Gasket Thermostat | | | 25/03/2020 |
| 3 | MH594601601 | 1 | Washer | | | |
| 4 | 31211003 | 1 | Gasket Cover | | | |
| 5 | 13823014 | 1 | Gasket Tie Rod CO | | | |
| 6 | 13820018 | 1 | Gasket Front Plate | | | |
| 7 | 13120047 | 1 | Gasket Water Pump | | | |
| 8 | 13820038 | 1 | Gasket Housing | | | |
| 9 | 13823033 | 1 | Gasket Governor Cover | | | |
| 10 | 13821022 | 1 | Gasket Water Pump | | | |
| 11 | 13820044 | 2 | O-Ring D. 11X2,5 | | | |
| 12 | 56000077 | 2 | Washer 18-23-1,5 | | | |
| 13 | 13820039 | 1 | Oil Seal | | | |
| 14 | 13820040 | 1 | Gasket Gear Case | | | |
| 16 | 13820002 | 4 | Seal Side | | | |
| 17 | 13811007 | 2 | O-Ring D. 57X2,5 | | | |
| 18 | 17613014 | 1 | Gasket | | | |
| 19 | 17621043 | 1 | Gasket | | | |
| 20 | 13820008 | 1 | Seal Oil | | | |
| 21 | 13820016 | 1 | Gasket Oil Seal C | | | |
| 22 | 17620012.4 | 1 | Gasket Cover | | | |
| 23 | 13222054 | 6 | Seal Valve Stem | | | |
| 24 | 13921010 | 1 | Gasket Rocker Cover | | | |
| 25 | 17621032 | 1 | Gasket Intake COV | | | |
| 26 | 17424025G.1 | 3 | Gasket Fuel Return (Genset) | | | |
| 27 | 13824013 | 3 | Injector Washer | | | |
| 28 | 17621004 | 1 | Gasket,Cylinder Head | | | |
| NS | 12111006 | 1 | O-Ring |  | | |
| NS | 13114002 | 1 | Gasket |  | | |



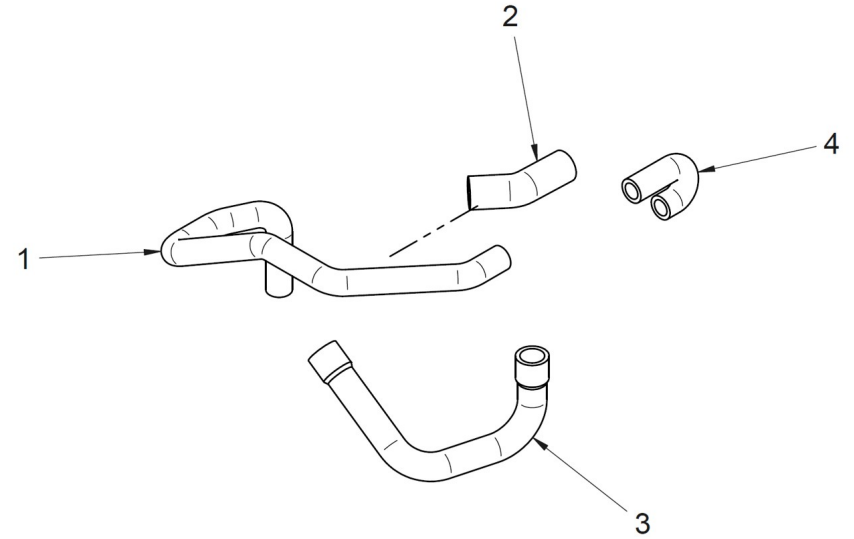
1761100.4 Pipe Rubber Set,Water Line 4 V.MINI-29

| <i>Fig.</i> | <i>Ref.</i> | <i>Qty.</i> | <i>Descr.</i> | <i>Obs</i> | <i>From</i> | <i>UpTo</i> |
|-------------|-------------|-------------|---------------------------------|------------|-------------|-------------|
| 1 | 13811017 | 2 | Pipe 28-38-80 | | | |
| 2 | 17611002 | 1 | Pipe 28-38-110 | | | |
| 3 | 17611034 | 1 | Hose | | | |
| 4 | M87501927 | 1.0 | Water Intake Hose (HQ) D. 19-27 | | | |



1381100.6 Pipe Rubber Set,water line 6 V.

| <i>Fig.</i> | <i>Ref.</i> | <i>Qty.</i> | <i>Descr.</i> | <i>Obs</i> | <i>From</i> | <i>UpTo</i> |
|-------------|-------------|-------------|---------------|------------|-------------|-------------|
| 1 | 13811028 | 1 | Sleeve Rubber | | | |
| 2 | 13811029 | 1 | Sleeve Rubber | | | |
| 3 | 13811030 | 1 | Sleeve Rubber | | | |
| 4 | 13811032 | 1 | Elbow | | | |

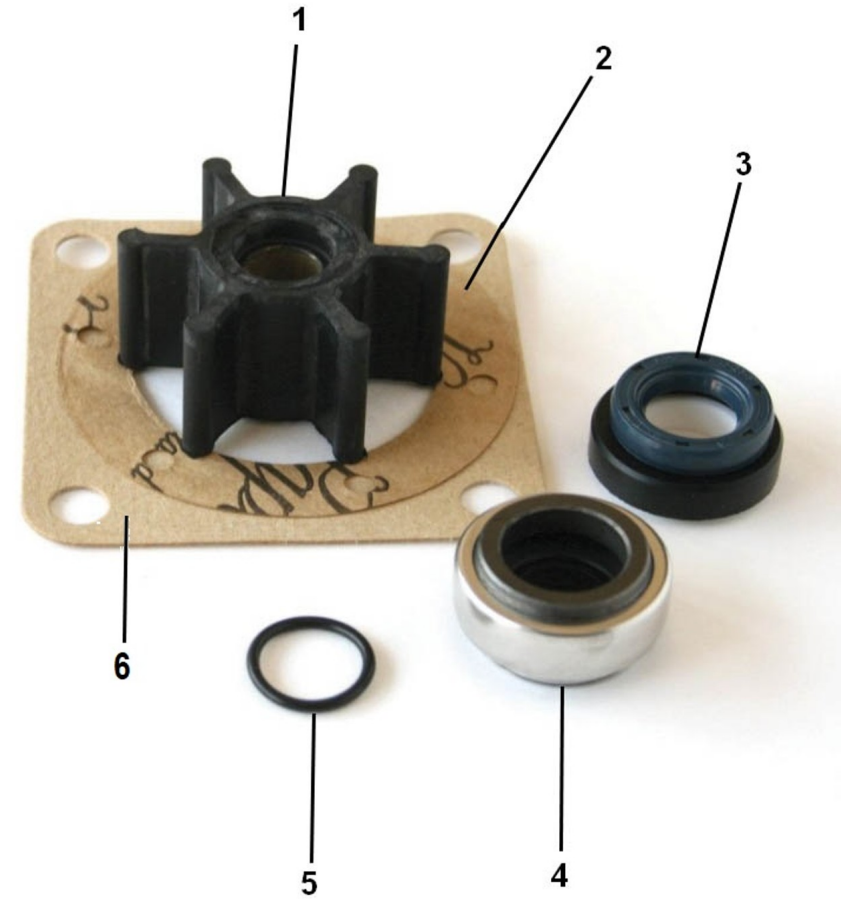


Genset 8 GT/GTC & 10 GTA/GTAC


Maintenance Kit

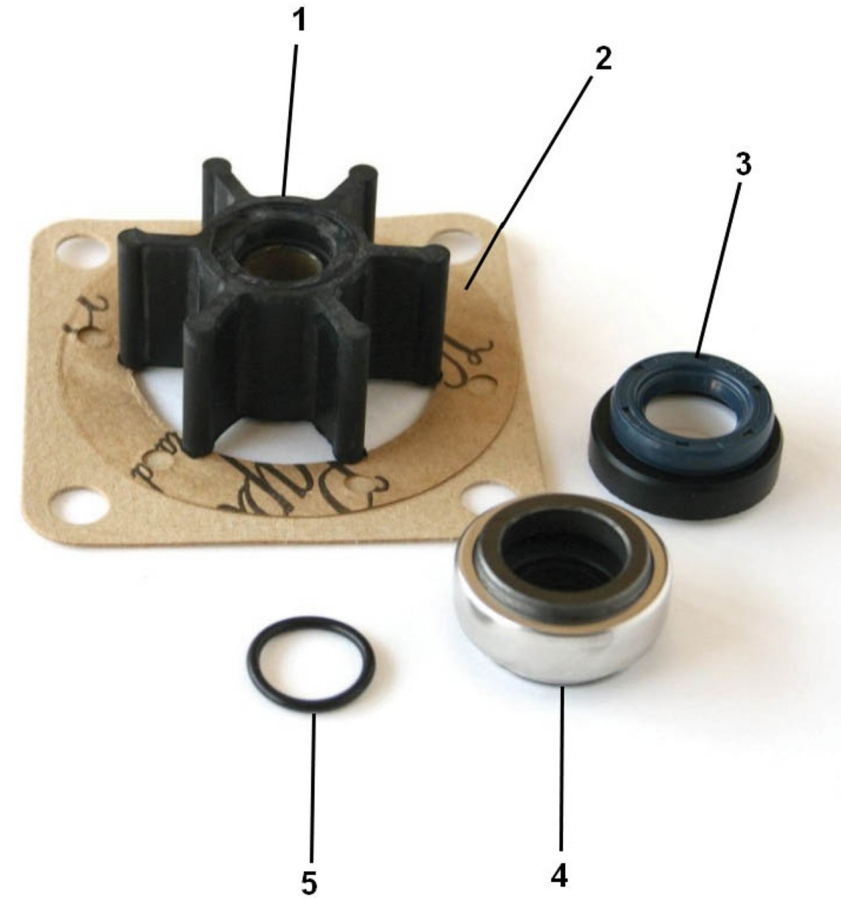
37011200K Repair Kit Water Pump 1/2"

| <i>Fig.</i> | <i>Ref.</i> | <i>Qty.</i> | <i>Descr.</i> | <i>Obs</i> | <i>From</i> | <i>UpTo</i> |
|-------------|-------------|-------------|-------------------|------------|-------------|-------------|
| 1 | 31211008 | 1 | 1/2" Impeller | | | |
| 2 | 31211003 | 1 | Gasket Cover | | | |
| 3 | 33411020 | 1 | Seal | | | |
| 4 | 33411019 | 1 | Seal | | | |
| 5 | 33311013 | 1 | O-Ring D. 15X2 | | | |
| 6 | 13120047 | 1 | Gasket Water Pump | | | |



33811000K Repair Kit Water Pump 1/2"

| Fig. | Ref. | Qty. | Descr. | Obs | From | UpTo |
|------|----------|------|----------------|---|------|------|
| 1 | 31211008 | 1 | 1/2" Impeller | | | |
| 2 | 31211003 | 1 | Gasket Cover | | | |
| 3 | 33411020 | 1 | Seal | | | |
| 4 | 33411019 | 1 | Seal | | | |
| 5 | 33311013 | 1 | O-Ring D. 15X2 | | | |
| NS | 17011007 | 1 | O-Ring D. 57X3 |  | | |



D UTILFA0968 1 Special Tools

| <i>Fig.</i> | <i>Ref.</i> | <i>Qty.</i> | <i>Descr.</i> | <i>Obs</i> | <i>From</i> | <i>UpTo</i> |
|-------------|-------------|-------------|---------------------------|------------|-------------|-------------|
| 1 | U30L9110010 | 1 | Piston Pin Setting Tool | | | |
| 2 | 13811063 | 1 | Refrigerator Mounting Key | | | |
| 3 | UMM74007 | 1 | Piston Ring Pliers | | | |
| 4 | UST332270 | 1 | Compression Gauge Adapter | | | |

