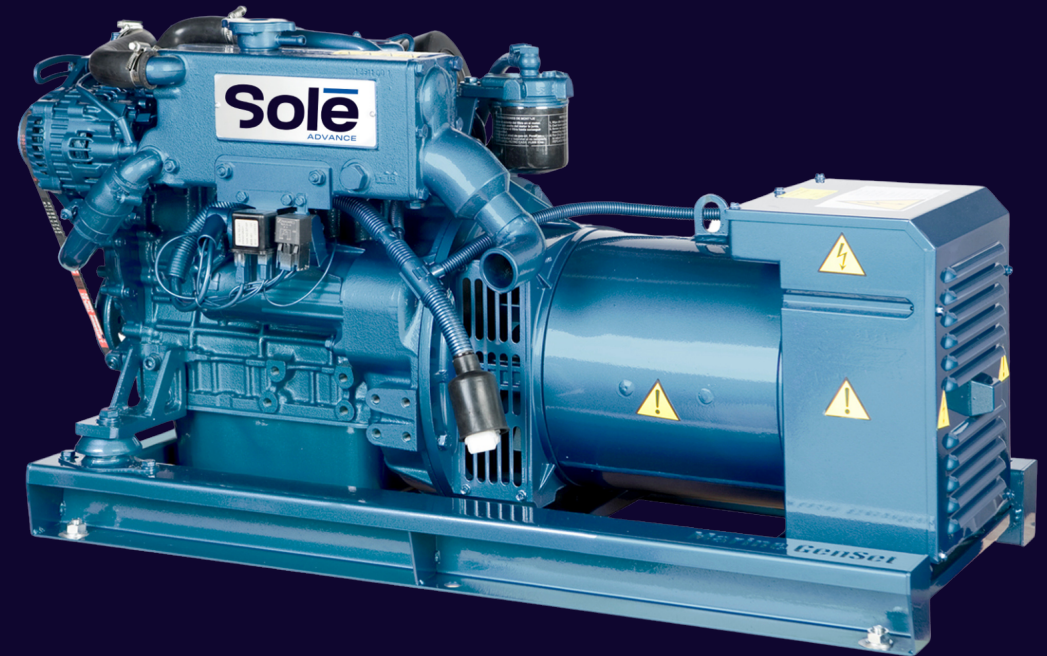




Part list

Genset G-15M-3 & G-15T-3



PARTS LIST CATALOGUE

NORMS TO PLACE AN ORDER

For fast and more efficient service, please specify the following information on spare parts orders that must be preferably done by e-mail as specified below:

- 1- Engine model: As shown in identification plate
- 2- Engine serial number: As shown in identification plate and stamped on crankcase
- 3- Item description + part number + quantity required

Spare parts requests must be addressed to :

orders@soleadvance.com

Telf.: +34 93 775 44 05

The components shown in the catalog have:

- Figure: Number by which they are represented in scheme
- Description: Trade name of the component
- Quantity: Total number of parts used in the assembly of the part represented (may differ from the total minimum quantities)

Hoses, indicates the total length in meters

The diagrams shown in this catalog of spare parts, have only the purpose to identify the piece in question, its representation is not meaningful and may differ from the actual piece.

In case of doubt, contact Solé Advance, or your authorized dealer.

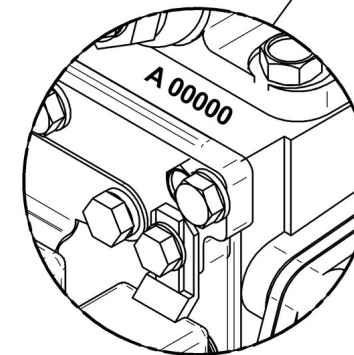
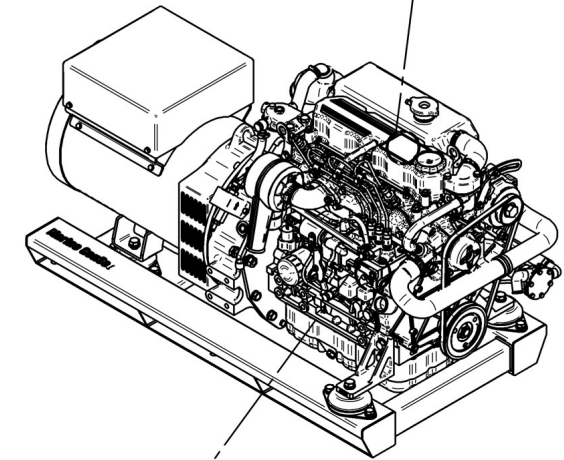
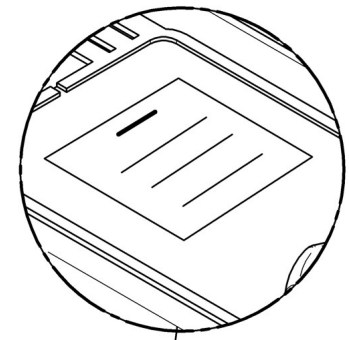
The parts i / or references in this catalog are subject to change without notice.

SOLÉ, S.A.

C-243b, km, 2

08760 Martorell (Barcelona) Spain

PLACA
PLATE



NUMERO DE SERIE
SERIAL NUMBER

Index

Engine Body

Cylinder Head
Rocker Cover & Breather
Valve Drive
Timing Parts
Gear Case
Crankcase
Flywheel Housing
Piston & Connectiong Rod
Crankshaft & Flywheel
Oil Sysem
Oil Pan
Engine Brackets

Inlet & Exhaust

Inlet

Cooling System

Water Pump
Cooler Pipes from 25/12/2024
Cooler Pipes upto 28/12/2024
Wet Exhaust
Water Cooler Assy MINI-29
Body, Water Cooler And Cap
Water Cooler Assy MINI-29 V6
1/2" Pump Water, Set
Splined Pump 1/2" MINI-11/17/29/33/44
Splined Pump 3/8" MINI-48 Gen-26/33/44

Fuel System

Fuel Pipe
Injection Nozzle
Fuel Injection Pump
Governor Parts
Fuel Supply Parts

Electrical System

12V Electrical Wiring 12V
Starter Assy 12V
Kit Alternator 12V/40A
Panels for Genset
Panel Components for Genset
Genset Extension

Genset Alternator Spare Parts

Alternator G-15M-3 y G-15T-3
Alternator G-15M-3
Alternator G-15M-3 C-TYPE
Alternator G-15T-3
Alternator G-15T-3

Genset Alternator Kit

Kit Genset MINI-26 for ECP3-1L/2

Chassis Spare Parts

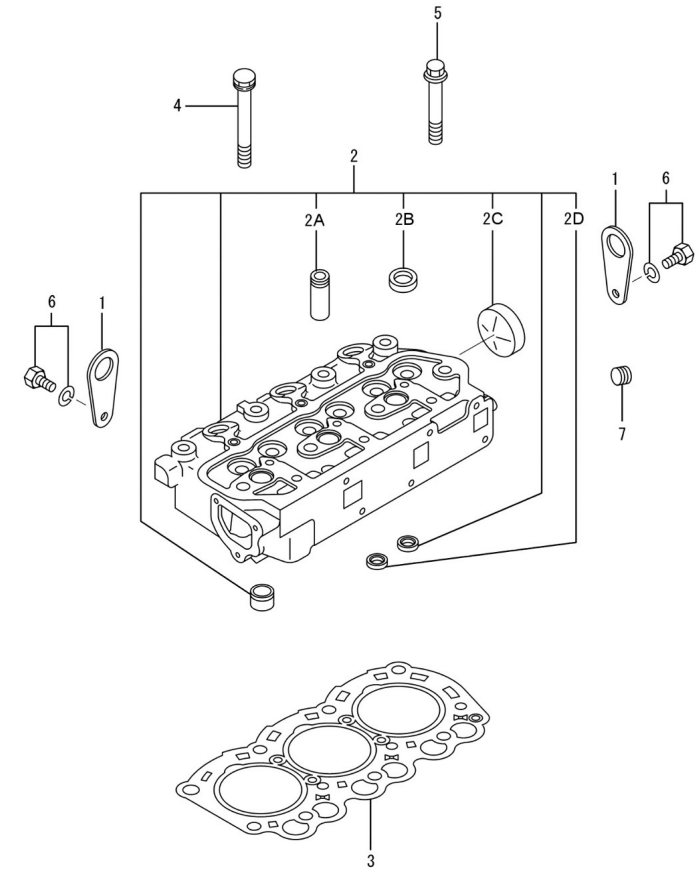
Chassis
M26 G6M15-G6T15-G15T15 Chassis

Maintenance Kit

Gasket Kit
Pipe Rubber Set,Water Line 4 V.MINI-29
Pipe Rubber Set,water line 6 V.
Repair Kit Water Pump 1/2"
Repair Kit Water Pump 1/2"
Special Tools

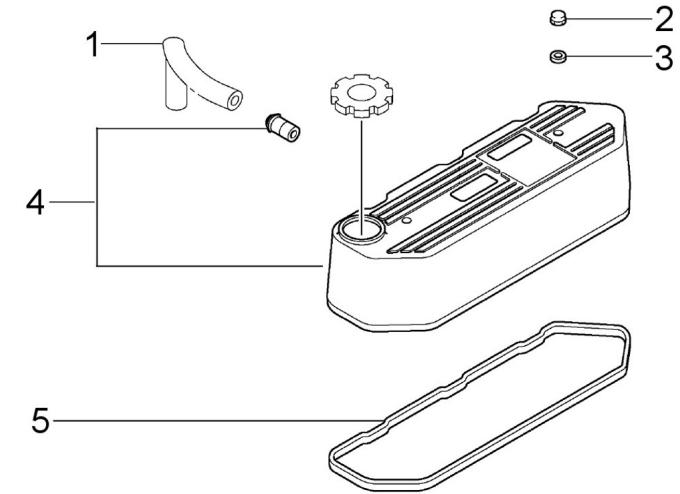
D GB01 1 1 **Cylinder Head**

Fig.	Ref.	Qty.	Descr.	Obs	From	UpTo
1	13821011	2	HANGER Engine			
2	13921001G	1	Head Assy,Cylinder			
2A	13721002	6	Guide Valve			
2B	13821012	3	Cap			
2C	13520013	1	Cap,SealING			
2D	13921061G	3	Seat Valve (Intake)			
3	17621004	1	Gasket,Cylinder Head			
4	13821005	8	Bolt,cylinder head			
5	13821013	3	Bolt,cylinder head			
6	17422037G.1	2	Bolt W/Washer (Generator)			
7	13220023	1	Plug TAPER			



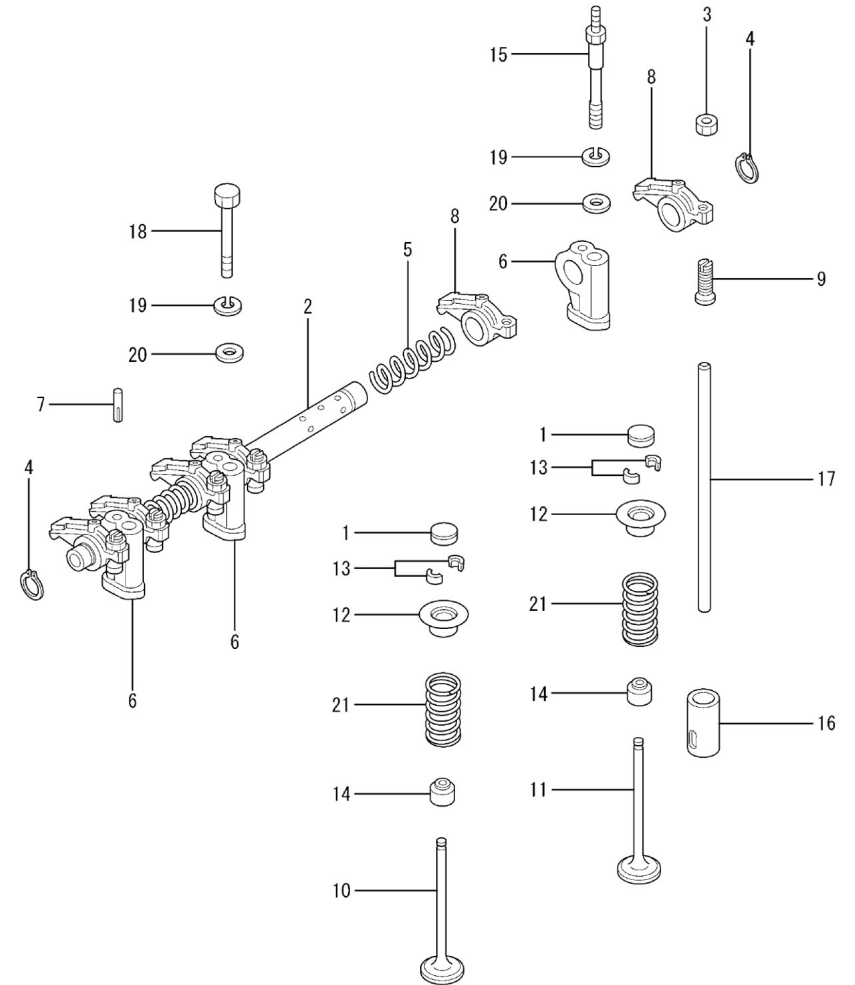
D GB01 1 2 **Rocker Cover & Breather**

<i>Fig.</i>	<i>Ref.</i>	<i>Qty.</i>	<i>Descr.</i>	<i>Obs</i>	<i>From</i>	<i>UpTo</i>
1	13821006	1	Hose BREATHER			
2	13821018	2	Nut			
3	51030006	2	Washer DIN 125-6			
4	(*)	1	Not available			
5	13921010	1	Gasket Rocker Cover			



D GB01 1 3 **Valve Drive**

Fig.	Ref.	Qty.	Descr.	Obs	From	UpTo
1	13822069	6	Cap Stem			
2	13922046	1	Shaft Assy			
3	52120006	6	Nut DIN 934 M6 8.8			
4	53040012	2	CIRClip DIN 471 E-12			
5	17622047.4	2	Spring Rocker SHAFT			
6	13722048	3	Stay Rocker			
7	13822070	1	Pin GROOVED			
8	13822042	6	ARM Rocker			
9	13822044	6	Screw Adjusting			
10	13822055	3	Intake Valve			
11	13822056	3	Exhaust Valve			
12	13822058	6	Retainer Valve SP			
13	13222059	12	Lock Valve			
14	13222054	6	Seal Valve Stem			
15	13822053	2	Bolt Rocker STAY			
16	13822061	6	Tappet			
17	13822041	6	ROD PUSH			
18	52101265	1	Bolt DIN 931 M8-60 8.8			
19	53033008	3	Washer GROWER DIN 127-8			
20	17622051.4	3	Washer			
21	13822057.1	6	Spring,Valve			

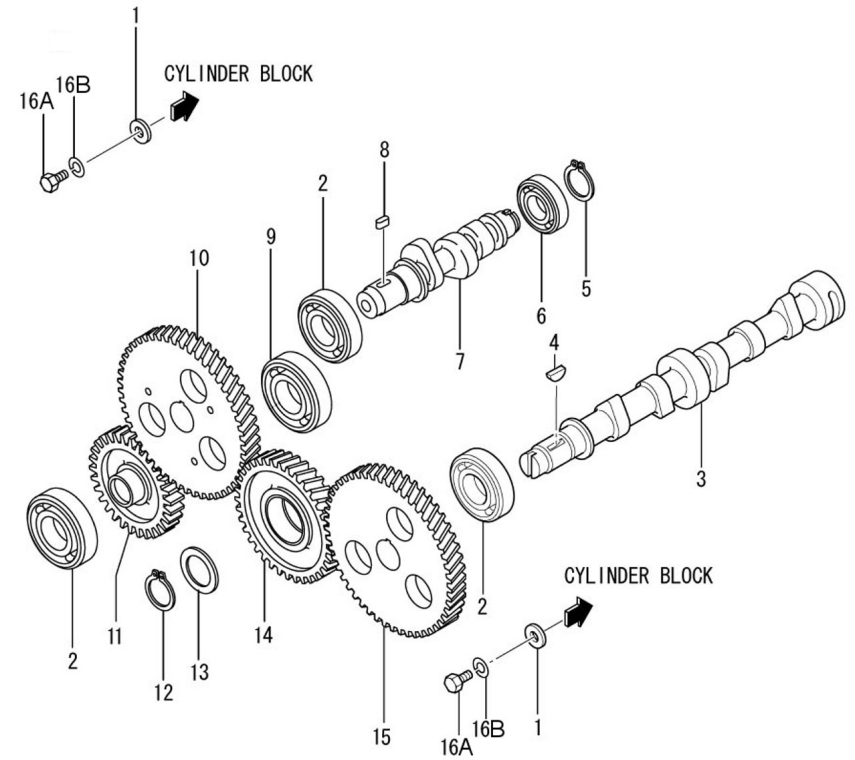


Genset G-15M-3 & G-15T-3

Engine Body

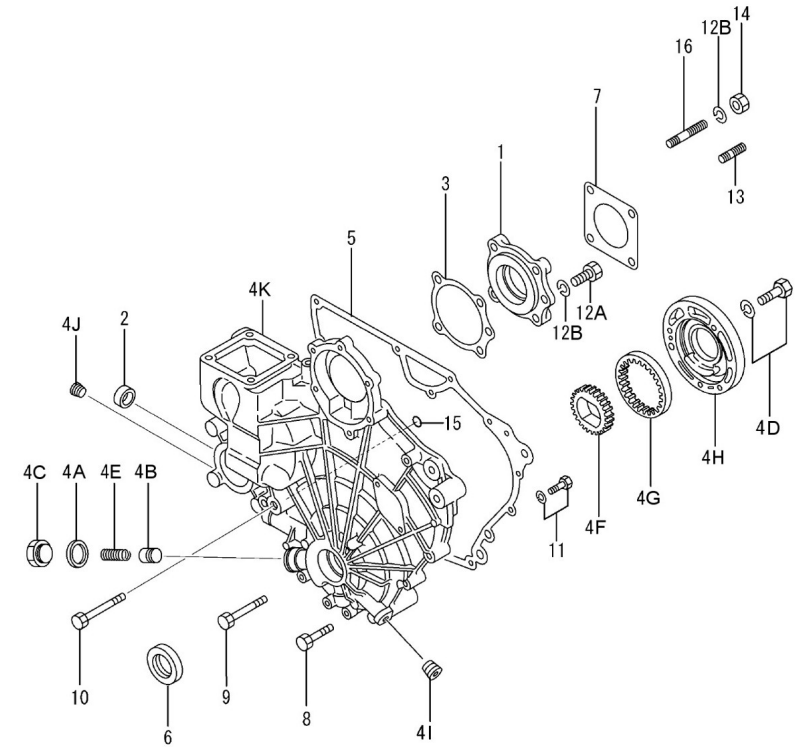
D GB01 1 4 Timing Parts

Fig.	Ref.	Qty.	Descr.	Obs	From	UpTo
1	13822033	1	Washer CamShaft Stop			
2	13822057.1	1	Spring,Valve			
3	13922035G.1	1	CamShaft			
4	17622036	1	KEY			
5	53040016	1	CIRClip DIN 471 E-16			
6	17622068.4	1	Bearing Ball			
7	13922040	1	Shaft Fuel INJ.PU			
8	17622060.4	1	Key, Sunk			
9	13822066	1	Ball Bearing 6005-C3			
10	13822043.4	1	Gear,Fuel INJ.Pump Z=52			
11	13922065G	1	Gear Oil Pump			
12	53040020	1	CIRClip DIN 471 E-20			
13	17622034.4	1	Plate DISTANCE			
14	17622038.4	1	Gear Assy,IDLER Z=40			
15	13822037	1	Gear,CamShaft Z=52			
16A	52102155	2	Bolt DIN 933 M6-12 8.8			
16B	53033006	2	Washer GROWER DIN 127-6			



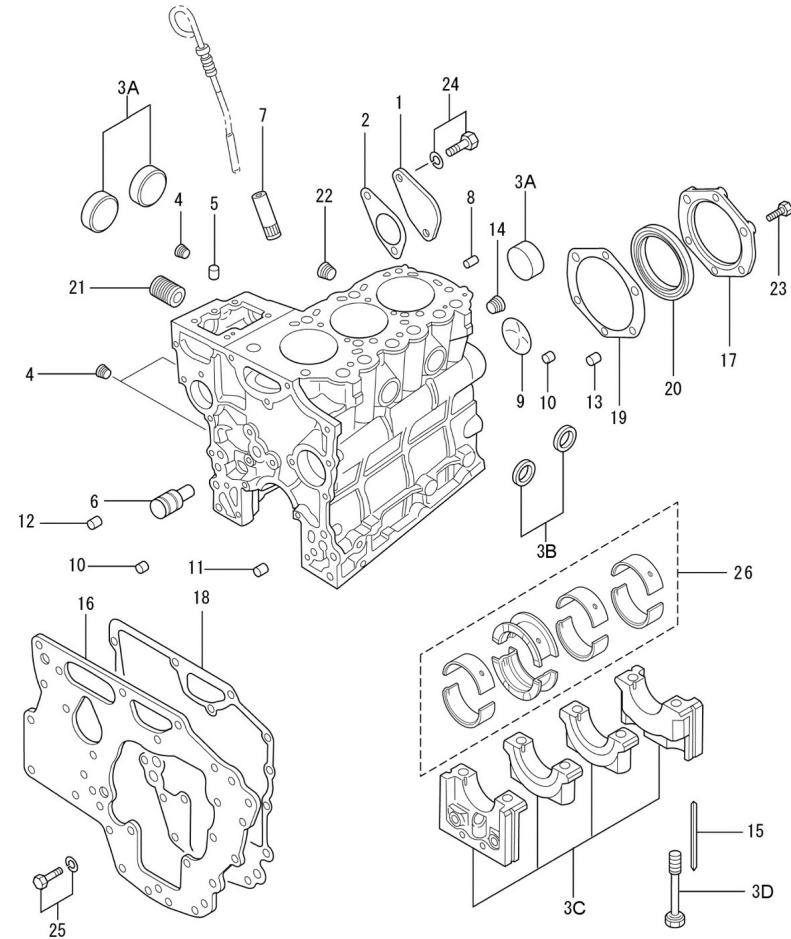
D GB01 1 5 Gear Case

Fig.	Ref.	Qty.	Descr.	Obs	From	UpTo
1	13820037	1	Housing Pump Gear			
2	13820045	1	Cap SealING (20)			
3	13820038	1	Gasket Housing			
4	13820035	1	Case Gear			
4A	56000077	1	Washer 18-23-1,5			
4B	13224043	1	Plunger			
4C	13224045	1	Plug			
4DA	52101159	3	Bolt DIN 931 M6-30 8.8			
4DB	53033006	3	Washer GROWER DIN 127-6			
4E	13824044	1	Spring RELIEF			
4F	13820050	1	Gear Oil Pump INN			
4G	13820051	1	Gear Oil Pump OUT			
4H	13820052	1	Housing Oil Pump			
4I	13220023	1	Plug TAPER			
4J	13821012G	2	Conical Plug			
5	13820040	1	Gasket Gear Case			
6	13820039	1	Oil Seal			
7	13120047	1	Gasket Water Pump			
8	52102160	3	Bolt DIN 933 M6-35 8.8			
9	52102164	4	Bolt DIN 933 M6-55 8.8			
10	52101166	1	Bolt DIN 931 M6-65 8.8			
11	17620054	4	Bolt			
12A	52102258	1	Bolt DIN 933 M8-25 8.8			
12B	53033008	2	Washer GROWER DIN 127-8			
13	13220043	1	Stud L 34			
14	17120049	4	Nut M8			
15	13820044	2	O-Ring D. 11X2,5			
16	13220042	3	Stud L 54			



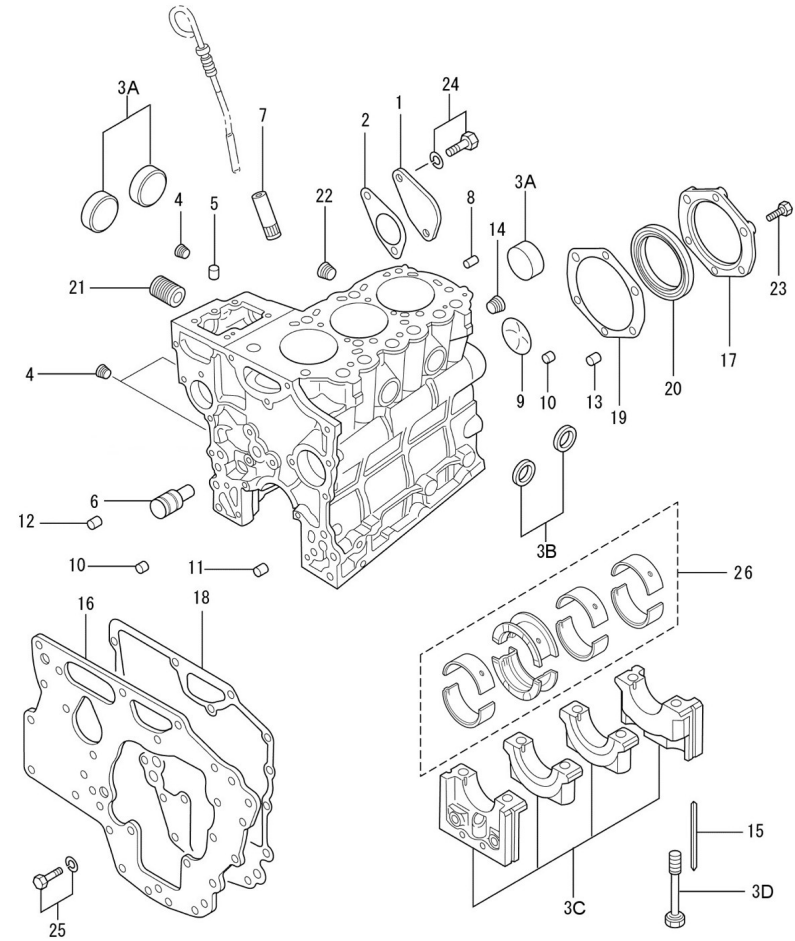
D GB01 1 6 **Crankcase**

Fig.	Ref.	Qty.	Descr.	Obs	From	UpTo
1	13820011	1	Cover			
2	17620012.4	1	Gasket Cover			
3A	13520013	3	Cap,SealING			
3B	13220012	2	Cap Sealing			
3C	(*)	1	Not available			
3D	13820009.1	8	Bolt Bearing Cap			
4	17620013.4	3	Plug Taper 1/16			
5	17620036.4	2	Pin Dowel		02/08/2017	
6	13820014	1	Shaft IDLER			
7	17620007.4	1	Guide			
8	17620020.4	1	Pin		02/08/2017	
9	13820013	1	Plug Expansion			
10	13720009	2	Bushing (6X9)			
11	17620021.4	1	Bushing			
12	13220021	2	Bushing KNOCK			
13	13520010	3	KNOCK			
14	13220023	1	Plug TAPER			
15	13820002	4	Seal Side			
16	13820017	1	Plate, Front			
17	13820015	1	Case Oil Seal			
18	13820018	1	Gasket Front Plate			
19	13820016	1	Gasket Oil Seal C			
20	13820008	1	Seal Oil			
21	13124047	1	Shaft Oil Filter			
22	17120022	1	Plug, tapered			
23	52102157	6	Bolt DIN 933 M6-20 8.8			
24	17422037G.1	2	Bolt W/Washer (Generator)			
25	17620054	7	Bolt			
26A	13920003	1	Bearing Set CRANK STD.			
26B	13920004	1	Bearing Set CRANK +0,25			
26C	13920005	1	Bearing Set CRANK			



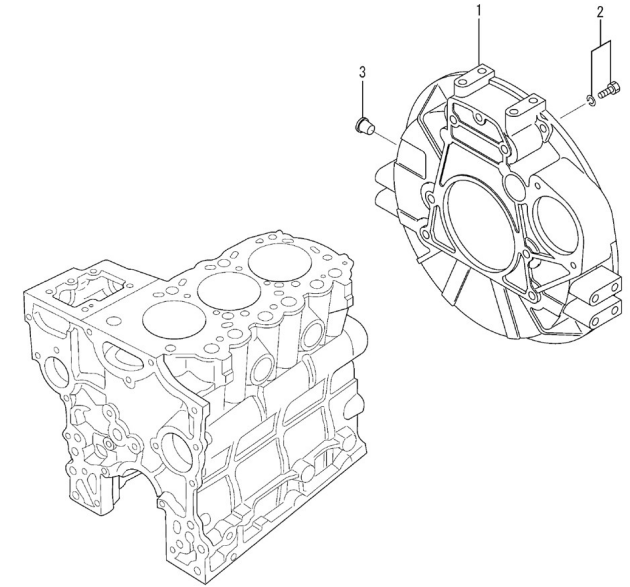
D GB01 1 6 **Crankcase**

Fig.	Ref.	Qty.	Descr.	Obs	From	UpTo
NS	17620001	1	Block SUB Assy,CYL			



D GB01 1 7 Flywheel Housing

<i>Fig.</i>	<i>Ref.</i>	<i>Qty.</i>	<i>Descr.</i>	<i>Obs</i>	<i>From</i>	<i>UpTo</i>
1	13820002G	1	FLYWEEL Housing			
2	17327129.2	6	Bolt			
3	13820013G	1	Plug (Generator)			

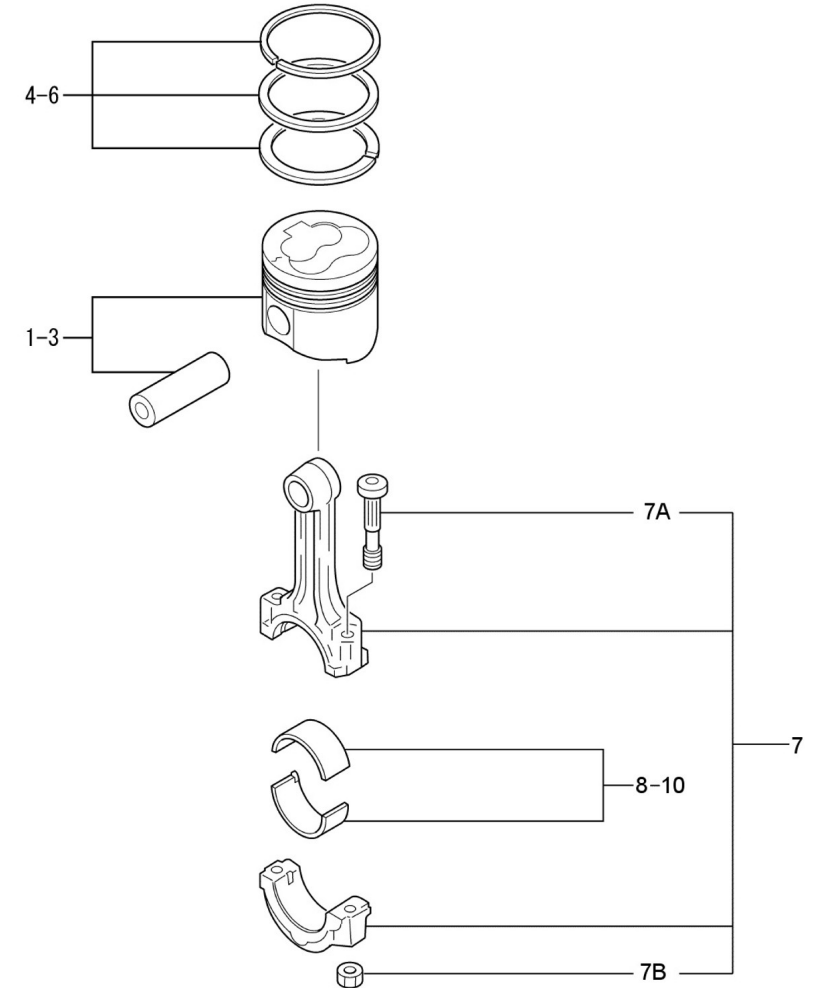


Genset G-15M-3 & G-15T-3

Engine Body

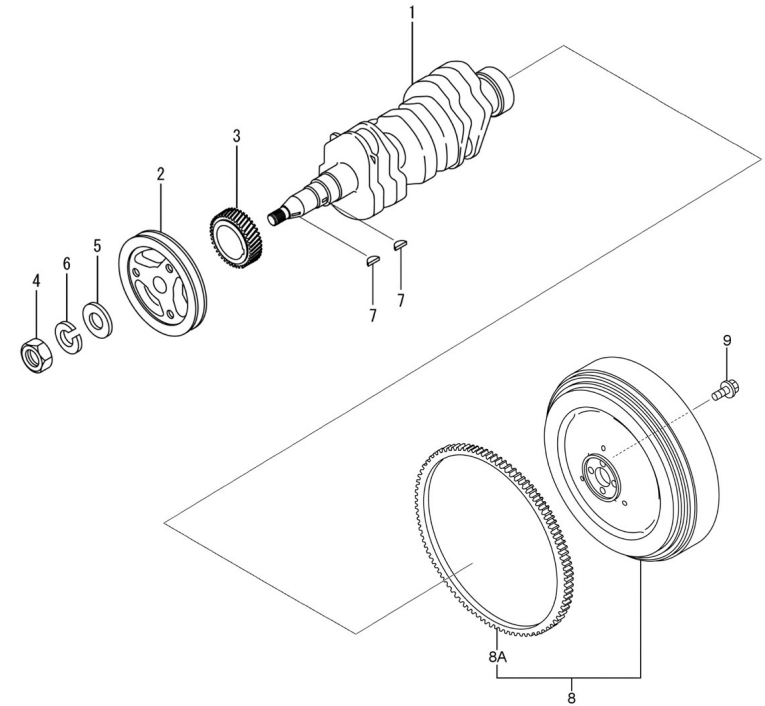
D GB01 1 8 Piston & Connecting Rod

Fig.	Ref.	Qty.	Descr.	Obs	From	UpTo
1	13822001.1	3	Piston & Pin Set STD.			
2	13822002.1	3	PISTON & Pin SET O.S. 0.25			
2	13822002.2	3	PISTON & Pin SET O.S. 0.25			
3	13822003.1	3	Piston & Pin Set O.S. 0.50			
4	13822006	3	Ring Set,Piston STD.			
5	13822007	3	Ring Set,Piston O.S. 0.25			
6	13822008	3	Ring Set,Piston O.S. 0.50			
7	13822012.3	3	Rod Assy (21)			
7A	13222013	6	Bolt,connecting rod			
7B	13222011	6	Nut,connecting rod			
8	13822014	3	Bearing Set,CON-ROD STD.			
9	13822015	3	Bearing Set,Con-Rod U.S. 0.25			
10	13822016	3	Bearing Set,Con-Rod U.S. 0.50			



D GB01 1 9 Crankshaft & Flywheel

Fig.	Ref.	Qty.	Descr.	Obs	From	UpTo
1	13922020	1	CrankShaft			
2	17622024.4	1	Pulley CrankShaft			
3	13822021	1	Gear CrankShaft Z=26			
4	13822026	1	Nut			
5	(*)	2	Not available			
6	53033016	1	1			
7	17622036	2	KEY			
8	13822027.3	1	Flywheel Assy			
8A	13722029	1	Gear Ring Z=106			
9	13822031.4	4	Bolt Flywheel			

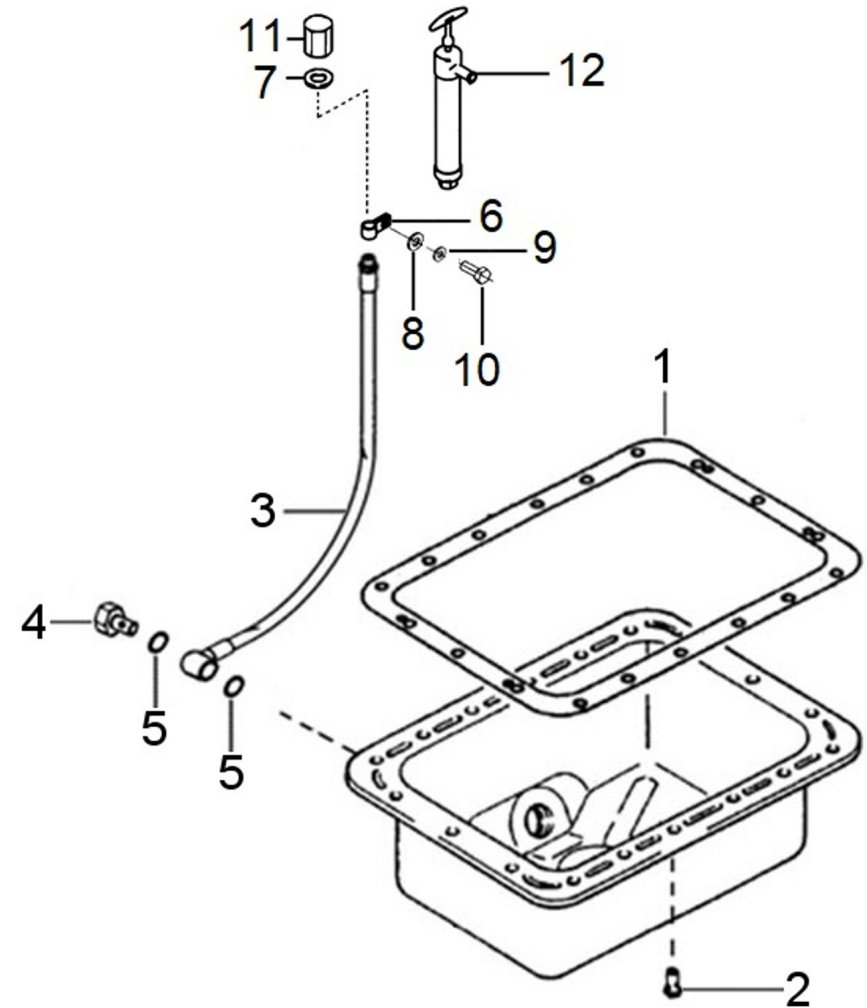


Genset G-15M-3 & G-15T-3

Engine Body

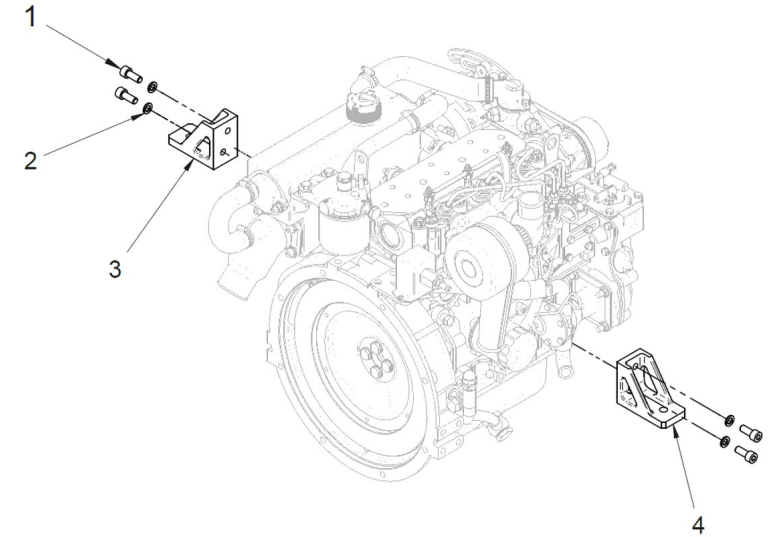
D GB01 1 11 Oil Pan

Fig.	Ref.	Qty.	Descr.	Obs	From	UpTo
2A	52102155	18	Bolt DIN 933 M6-12 8.8			
2B	53033006	1	Washer GROWER DIN 127-6			
3	13814021	1	ExtraCTION, hose			
4	16514022	1	Coupling,screw 18x150			
5	56000077	2	Washer 18-23-1,5			
6	17114023	1	Bracket,pipe			
7	56000217	1	Washer 13-20-3			
8	51030010	1	Washer DIN 125-10			
9	53033010	1	Washer GROWER DIN 127-10			
10	52202307	1	Bolt DIN 933 M10-1,25-20 8.8			
11	16514020	1	Plug			
12	14714001	1	Oil Extraction Pump			



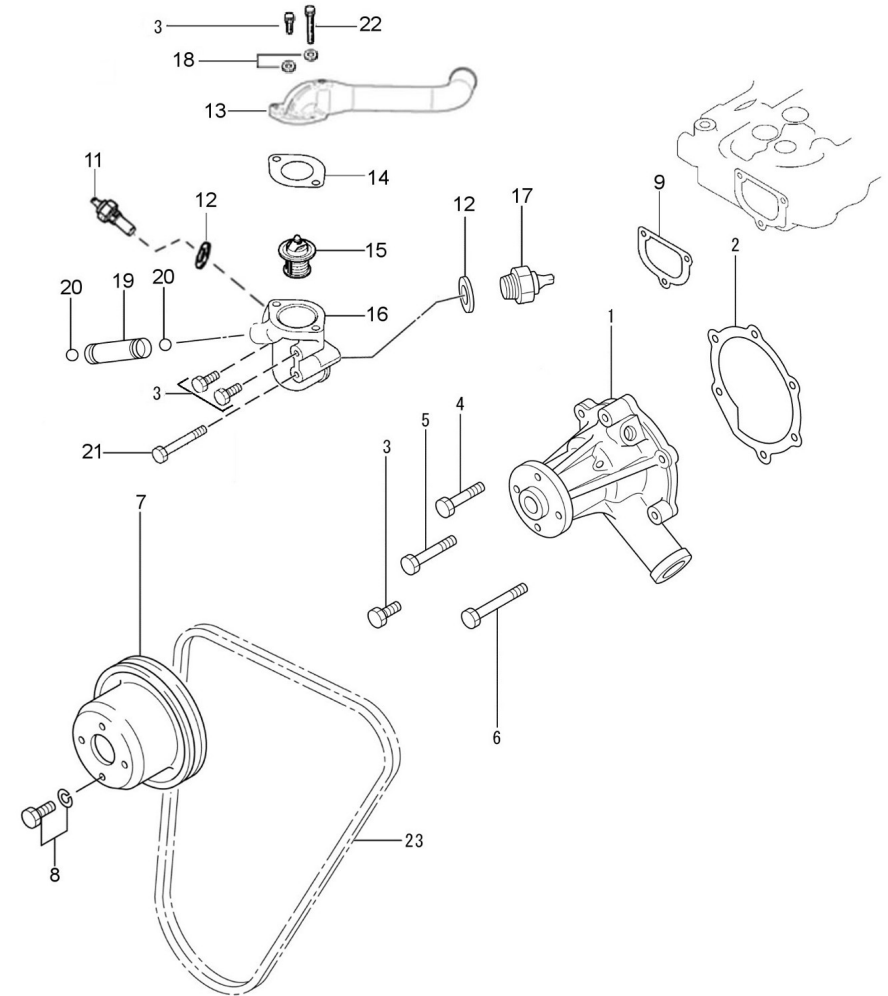
D GB01 1 12 Engine Brackets

<i>Fig.</i>	<i>Ref.</i>	<i>Qty.</i>	<i>Descr.</i>	<i>Obs</i>	<i>From</i>	<i>UpTo</i>
1	52203308	4	Bolt DIN 912 M10-1,25-25 12.9 Blued			
2	53033010	4	Washer GROWER DIN 127-10			
3	13910004G.1	1	Front Bracket			
4	13910003G.1	1	Front Bracket			



D GB01 3 1 Water Pump

Fig.	Ref.	Qty.	Descr.	Obs	From	UpTo
1	13821020	1	Fresh Water Pump			
2	13821022	1	Gasket Water Pump			
3	52102157	5	Bolt DIN 933 M6-20 8.8			
4	52102160	1	Bolt DIN 933 M6-35 8.8			
5	52101162	1	Bolt DIN 931 M6-45 8.8			
6	52102164	2	Bolt DIN 933 M6-55 8.8			
7	13921021	1	Pulley Water Pump			
8A	52102155	4	Bolt DIN 933 M6-12 8.8			
8B	53033006	4	Washer GROWER DIN 127-6			
9	13821033	1	Gasket Thermostat		25/03/2020	
9	17621033.4	1	Gasket Thermostat		27/03/2018	25/03/2020
11	60900980	1	Temperature Sensor			
12	56000073	2	Copper Washer 16-23-1,5			
13	13811020.1	1	Cover			25/12/2024
13	13811031	1	Cover		28/12/2024	
14	13821031	1	Gasket Water OutL			
15	13821027	1	Thermostat 71°			
16	13821037.1	1	FITTING Thermostat New			
17	60900070	1	Thermo-Switch 97°C			
18	53038006	2	Washer DIN 6798-A 6			
19	17621026.4	1	Pipe BYPASS			
20	13821038	2	O-Ring D. 9X2			
21	52101165	1	Bolt DIN 931 M6-60 8.8			
22	52101163	1	Bolt DIN 931 M6-50 8.8			
23	13821228	1	Belt Type SPZX 900			

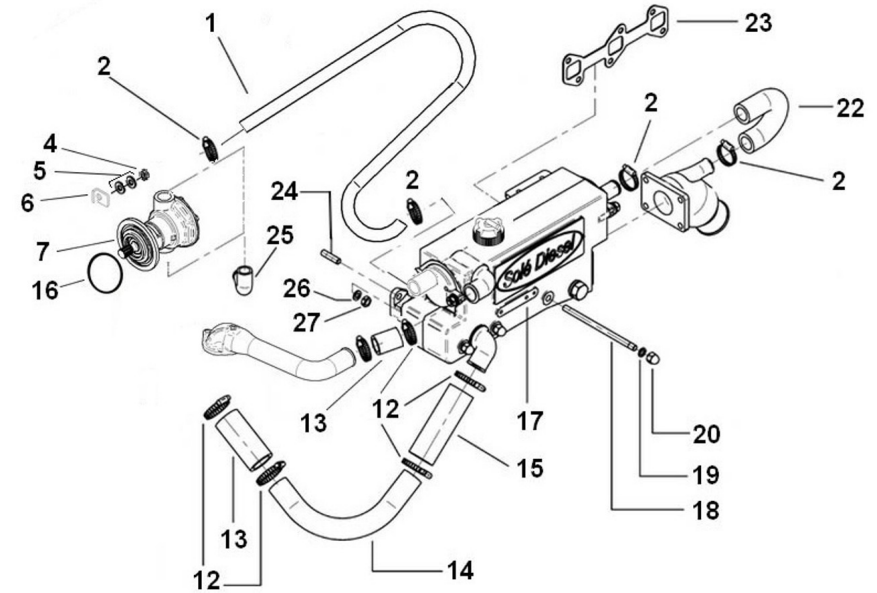


Genset G-15M-3 & G-15T-3

Cooling System

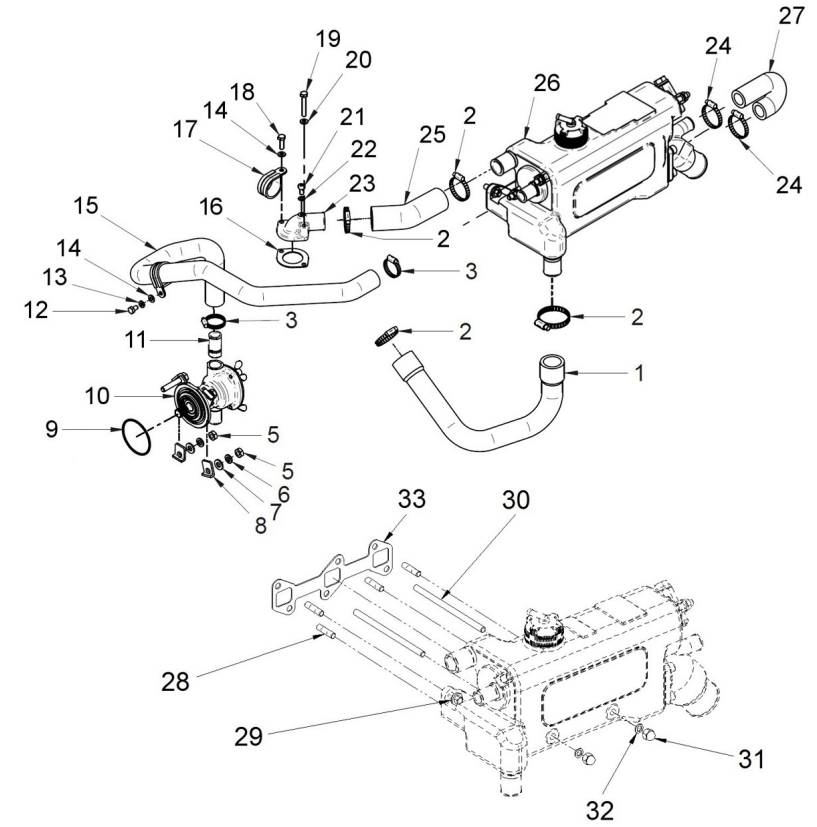
D GB01 3 4 Cooler Pipes from 25/12/2024

Fig.	Ref.	Qty.	Descr.	Obs	From	UpTo
1	M87501927	1.0	Water Intake Hose (HQ) D. 19-27			
2	54081020	3	Clamp DIN 3017 20-32/9 W4			
4	17120049	4	Nut M8			
5A	51030008	4	Washer DIN 125-8			
5B	53033008	4	Washer GROWER DIN 127-8			
6	13811062	4	Pump Bracket			
7	37611000	1	Splined Pump 1/2" MINI-11/17/29/33/44		22/05/2017	
12	54081025	6	Clamp DIN 3017 25-40/9 W4			
13	13811017	2	Pipe 28-38-80			
14	13811014	1	Elbow			
15	17611002	1	Pipe 28-38-110			
16	17011007	1	O-Ring D. 57X3			
17	13911000REC	1	Water Cooler Assy MINI-26 (Spare Part)		28/07/2025	
17	17611000.1R	1	Water Cooler Assy MINI-26/29 (Spare Part)			25/07/2025
18	13811018	1	Manifold, mounting stud			
19	56000057	1	Washer 8-13-1,5			
20	55122008	1	Nut DIN 1587 M8			
22	17611034	1	Hose			
23	17621035	1	Gasket, Exhaust			
24	14711008	3	Stud, cover			
25	13211035	2	Exhaust Manifold Outlet Bend			
26	53038008	3	Washer DIN 6798-A 8			
27	54120008	3	Nut DIN 934 M8			



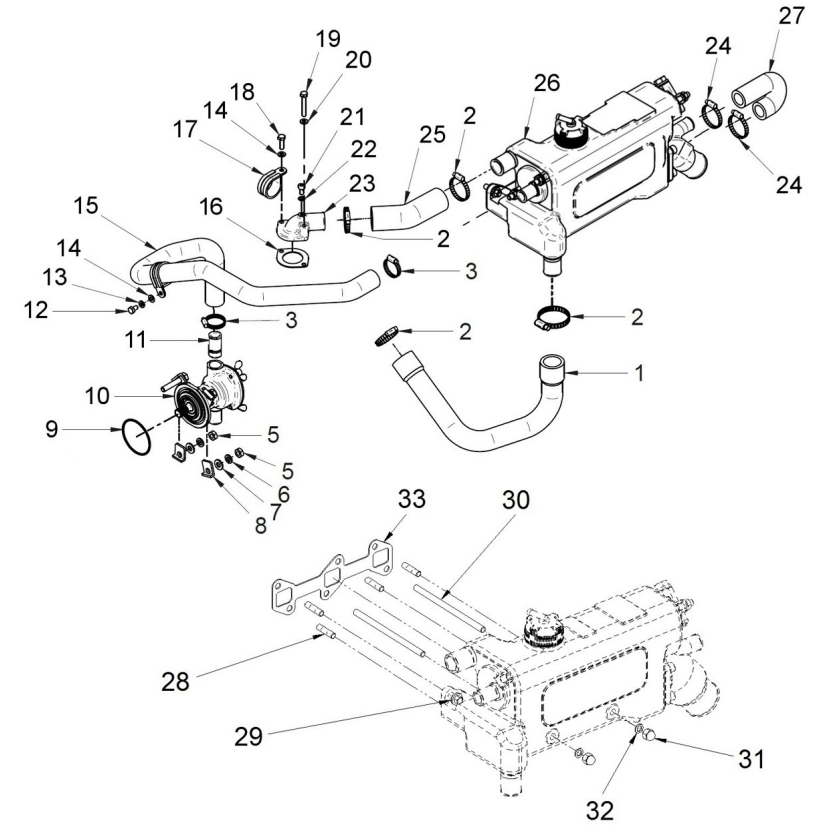
D MI26GSTST 03 4 Cooler Pipes upto 28/12/2024

Fig.	Ref.	Qty.	Descr.	Obs	From	UpTo
1	13811030	1	Sleeve Rubber			
2	54081025	4	Clamp DIN 3017 25-40/9 W4			
3	54081016	2	Clamp DIN 3017 16-27/9 W4			
5	52120008	4	Nut DIN 934 M8 8.8			
6	53033008	4	Washer GROWER DIN 127-8			
7	51030008	4	Washer DIN 125-8			
8	13811062	4	Pump Bracket			
9	17011007	1	O-Ring D. 57X3			
10	37611000	1	Splined Pump 1/2" MINI-11/17/29/33/44			
11	13811033	2	Raccord 1/2"			
12	52102155	1	Bolt DIN 933 M6-12 8.8			
13	51030006	2	Washer DIN 125-6			
13	53033006	1	Washer GROWER DIN 127-6			
15	13811028	1	Sleeve Rubber			
16	13821031	1	Gasket Water OutL			
17	59071304	2	Clamp RSGU 1 30/15 W1			
18	52102158	1	Bolt DIN 933 M6-25 8.8			
19	52102161	1	Bolt DIN 933 M6-40 8.8			
20	53038006	1	Washer DIN 6798-A 6			
21	13811035	1	Bolt,bleed			
22	56000053	1	Washer 6-10-1,5			
23	13811031	1	Cover			
24	54081020	2	Clamp DIN 3017 20-32/9 W4			
25	13811029	4	Sleeve Rubber			
26	17611005R	1	Water Cooler Assy MINI-29 v6			
27	13811032	1	Elbow			
28	14711008	4	Stud,cover			
29	51125008	4	Nut Exhaust			
30	17211015	2	MANIFOLD MOUNTING Stud			
31	55122008	2	Nut DIN 1587 M8			
32	56000057	2	Washer 8-13-1,5			



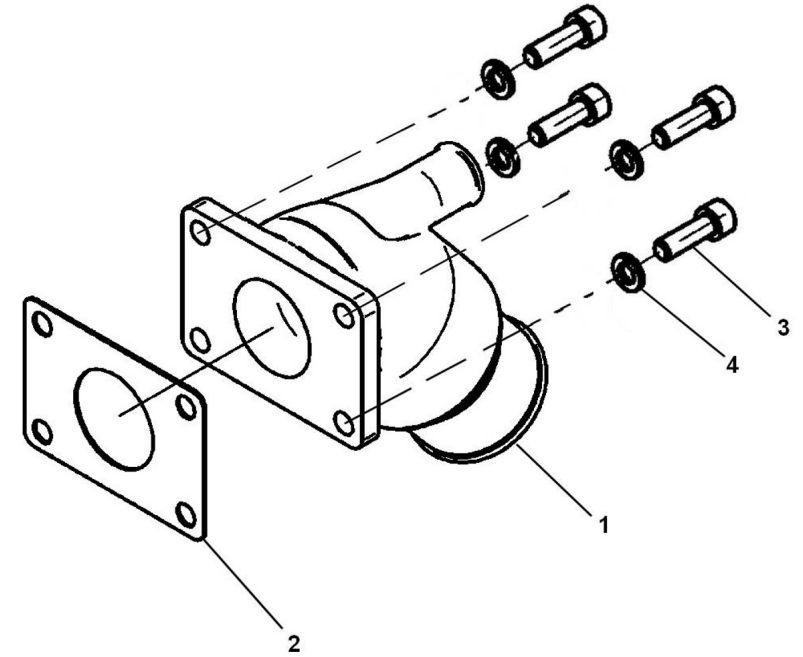
D MI26GSTST 03 4 Cooler Pipes upto 28/12/2024

Fig.	Ref.	Qty.	Descr.	Obs	From	UpTo
33	17621035	1	Gasket, Exhaust			
NS	13812030.3	1	BRACKET OIL LEVER	☒		
NS	13817115	2	Spacer 6,5X15X10	☒		



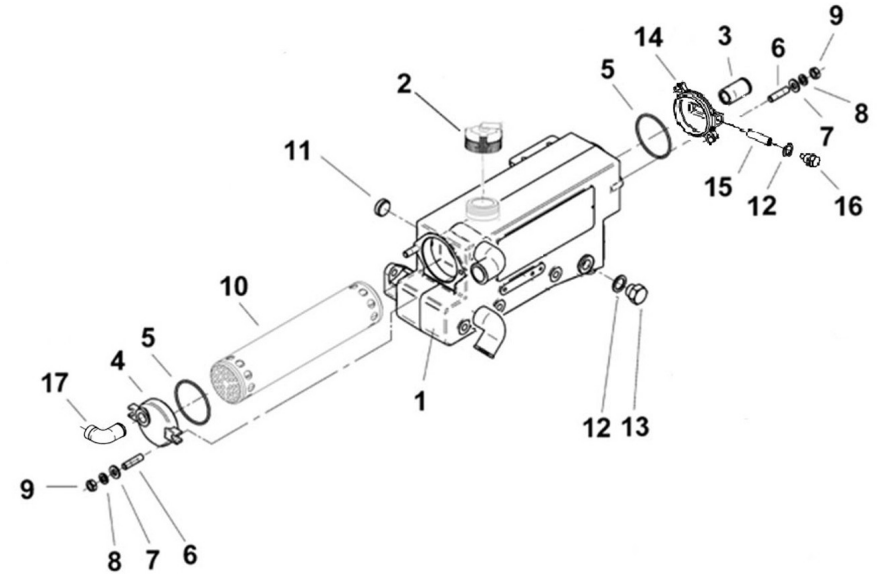
D MI26GST3ST 03 5 Wet Exhaust

<i>Fig.</i>	<i>Ref.</i>	<i>Qty.</i>	<i>Descr.</i>	<i>Obs</i>	<i>From</i>	<i>UpTo</i>
1	17613015G.1	1	Wet Exhaust Elbow Genset Alt. MECCALTE			
2	17613014	1	Gasket			
3	52103257	4	Bolt DIN 912 M8-20 8.8			
4	53033008	4	Washer GROWER DIN 127-8			



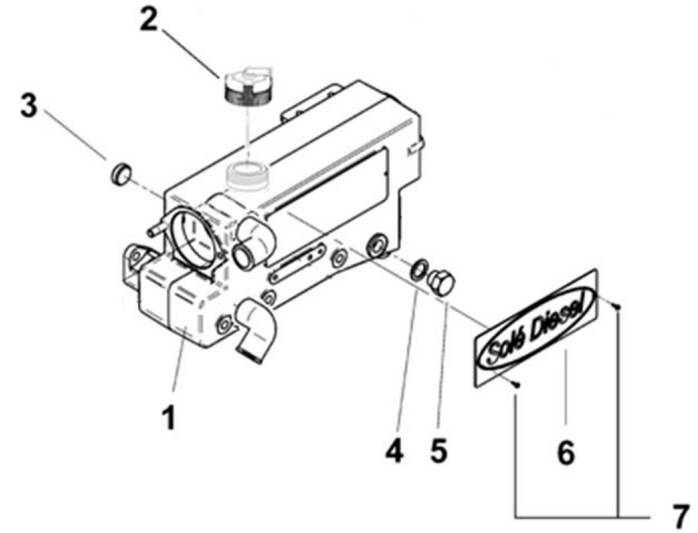
D 17611000.IREC Water Cooler Assy MINI-29

Fig.	Ref.	Qty.	Descr.	Obs	From	UpTo
1	17611001	1	Body, Water Cooler			
2	13811010	1	Cap			
3	13211031	1	Raccord 1/2"			
4	13811002	1	Water Cooler Cover			
5	13811007	2	O-Ring D. 57X2,5			
6	13311006	4	Stud,cover			
7	51030008	4	Washer DIN 125-8			
8	53033008	4	Washer GROWER DIN 127-8			
9	54120008	4	Nut DIN 934 M8			
10	17211004	1	Tubular Bundle			
11	12113092	1	Plug			
12	56000073	2	Copper Washer 16-23-1,5			
13	12111076	1	Plug			
14	13811042	1	Water Cooler Cover			
15	13811043	1	Engine Anode 29.5 mm M.8			
16	18011009	1	Anode Plug			
17	13211035	1	Exhaust Manifold Outlet Bend			





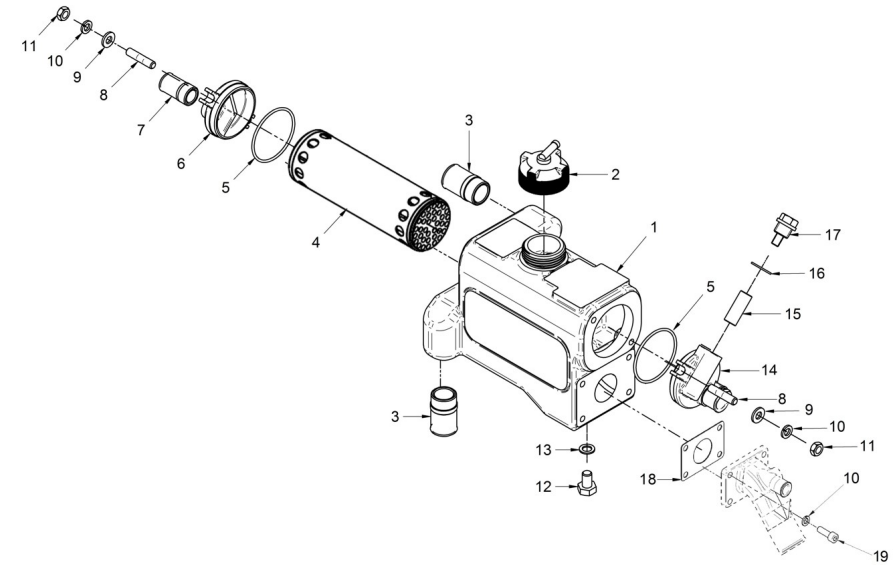
17611001C **Body, Water Cooler And Cap**

<i>Fig.</i>	<i>Ref.</i>	<i>Qty.</i>	<i>Descr.</i>	<i>Obs</i>	<i>From</i>	<i>UpTo</i>
1	17611001	1	Body, Water Cooler			
2	13811010	1	Cap			
3	12113092	1	Plug			
4	56000073	1	Copper Washer 16-23-1,5			
5	12111076	1	Plug			
6	17111060	1	Plate "SOLE Diesel"			
6	17111067	1	Plate "SOLE ADVANCE"			
7	17111062	2	Bolt			



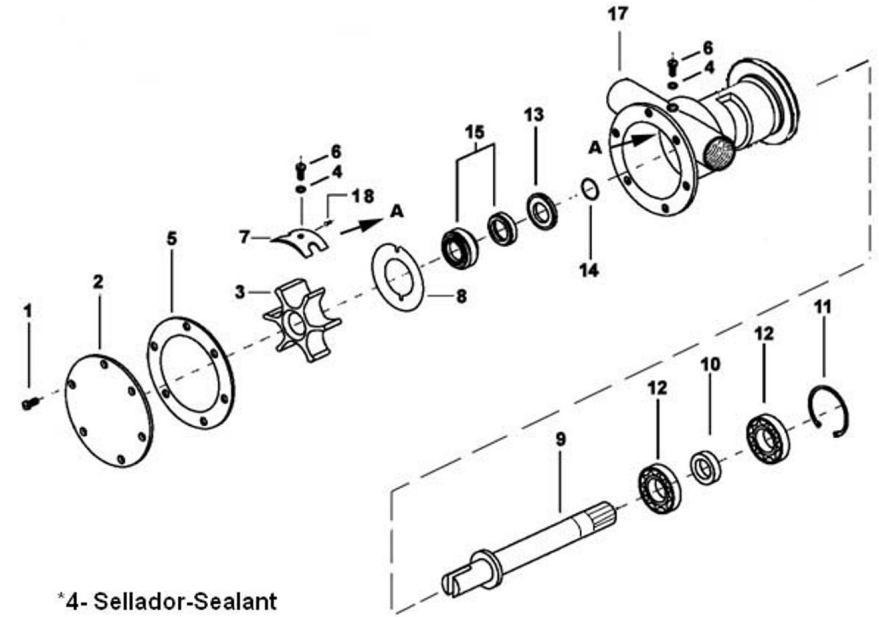
D 17611005R Water Cooler Assy MINI-29 V6

Fig.	Ref.	Qty.	Descr.	Obs	From	UpTo
1	17611006	1	Body, Water Cooler MINI-29 v6			
2	13811010	1	Cap			
3	13811034	2	Raccord 3/4"			
4	17211004	1	Tubular Bundle			
5	13811007	2	O-Ring D. 57X2,5			
6	13811002	1	Water Cooler Cover			
7	13811033	1	Raccord 1/2"			
8	13311006	4	Stud,cover			
9	51030008	4	Washer DIN 125-8			
10	53033008	8	Washer GROWER DIN 127-8			
11	54120008	4	Nut DIN 934 M8			
12	54102306	1	Bolt DIN 933 M10-16 INOX.			
13	56000061	1	Washer 10-16-1,5			
14	13811042	1	Water Cooler Cover			
15	13811043	1	Engine Anode 29.5 mm M.8			
16	56000073	1	Copper Washer 16-23-1,5			
17	18011009	1	Anode Plug			
NS	17611040	1	MINI-29 Cooler Adhesive			
NS	ETIQUETA0035	1	Engine Vinyl Solé Advance 17,5x6,2 cm			



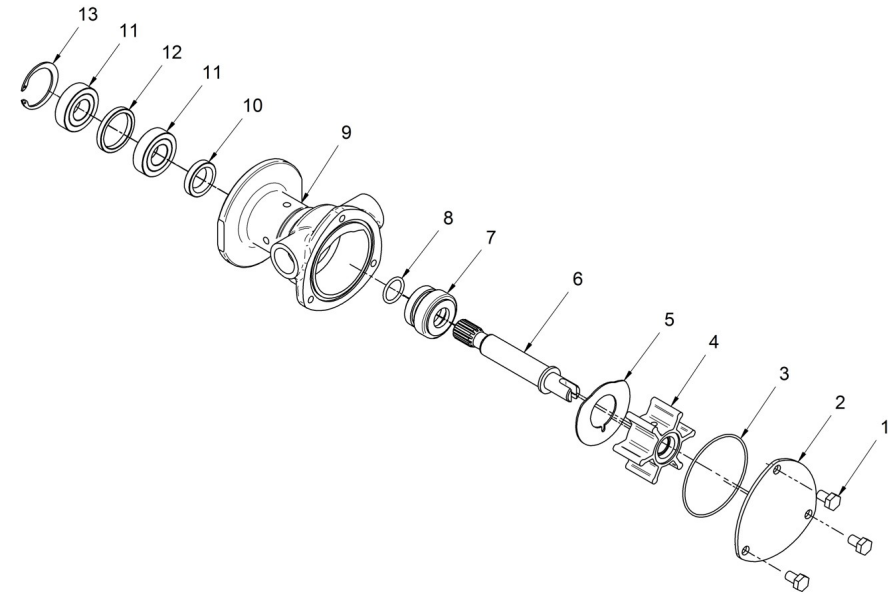
33811000 1/2" Pump Water, Set

Fig.	Ref.	Qty.	Descr.	Obs	From	UpTo
1	54102104	6	Bolt DIN 933 M5-10 INOX.			
2	31211002	1	Cover Pump			
3	31211008	1	1/2" Impeller			
5	31211003	1	Gasket Cover			
6	55307105	1	Bolt DIN 86 W3/16-13			
7	31211005	1	Cam			
8	33411026	1	Wearplate			
9	33811010	1	Shaft,Water Pump			
10	33811015	1	Spacer			
11	53041032	1	CIRclip DIN 472 I-32			
12	33411014	2	Ball Bearing 6002-C3			
13	33411020	1	Seal			
14	33311013	1	O-Ring D. 15X2			
15	33411019	1	Seal			
17	33811001	1	Body,Water Pump			
18	33411017	1	Pin,Dowel			



37611000 Splined Pump 1/2" MINI-11/17/29/33/44

Fig.	Ref.	Qty.	Descr.	Obs	From	UpTo
1	54102154	3	Bolt DIN 933 M6-10 INOX			
2	37611002	1	Cover Pump			
3	37611003	1	O-Ring D. 57x1,5			01/06/2022
4	31211008	1	1/2" Impeller			
5	37611026	1	Plate, Friction			
6	33811010	1	Shaft, Water Pump			
7	33411019	1	Seal			
8	33311013	1	O-Ring D. 15X2			
9	37611001	1	Body, Water Pump 1/2"			
10	33411020	1	Seal			
11	33411014	2	Ball Bearing 6002-C3			
12	33811015	1	Spacer			
13	53041032	1	CIRclip DIN 472 I-32			

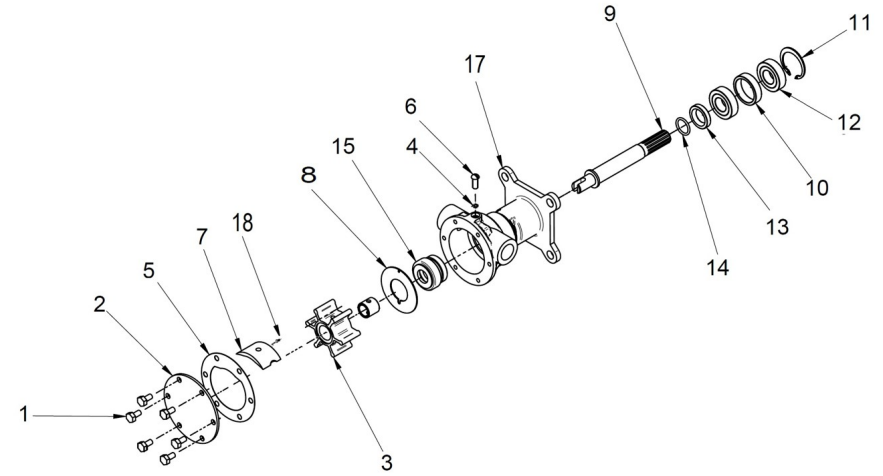


Genset G-15M-3 & G-15T-3

Cooling System

37011200 Splined Pump 3/8" MINI-48 Gen-26/33/44

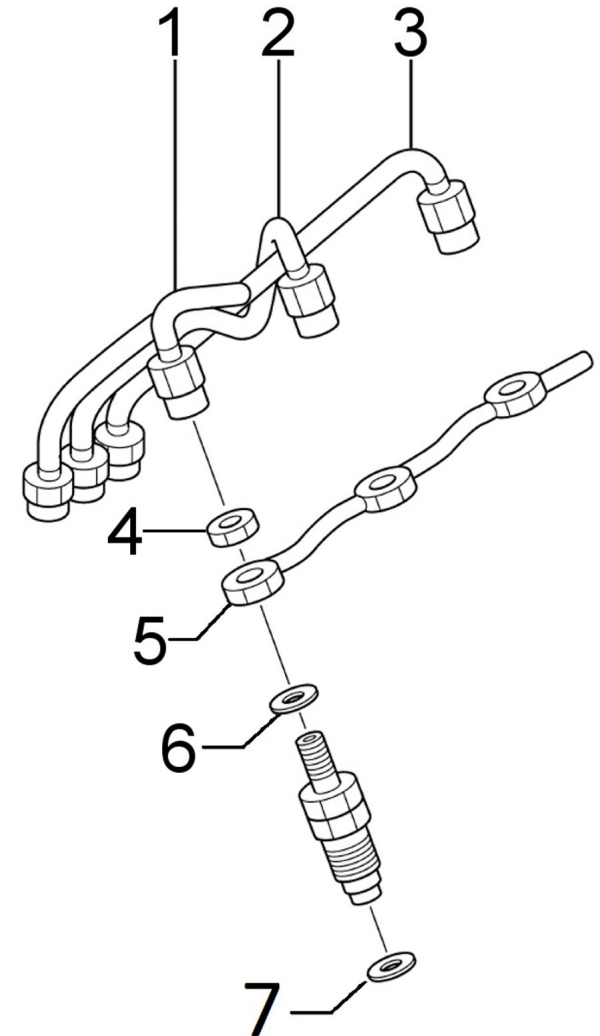
Fig.	Ref.	Qty.	Descr.	Obs	From	UpTo
1	54102104	6	Bolt DIN 933 M5-10 INOX.			
2	31211002	1	Cover Pump			
3	31211008	1	1/2" Impeller			
5	31211003	1	Gasket Cover			
6	55307105	1	Bolt DIN 86 W3/16-13			
7	31211005	1	Cam			
8	33411026	1	Wearplate			
9	37011210	1	Shaft,water pump			
10	33411015	1	Spacer 32X26X8			
11	53041032	1	CIRClip DIN 472 I-32			
12	33411014	2	Ball Bearing 6002-C3			
13	33411020	1	Seal			
14	33311013	1	O-Ring D. 15X2			
15	33411019	1	Seal			
17	33411001	1	Body,Water Pump			
18	33411017	1	Pin,Dowel			



*4 - Sellador - Sealant

D GB01 4 1 Fuel Pipe

Fig.	Ref.	Qty.	Descr.	Obs	From	UpTo
1	13824015.1	1	Pipe Injection N.1			
2	13824016.1	1	Pipe Injection N.2			
3	13924019.1	1	Pipe Injection N.3			
4	13824024	3	Nut			
5	13924026	1	Tube gasoil SPILL			
6	17424025G.1	3	Gasket Fuel Return (Genset)			
7	13824013	3	Injector Washer			

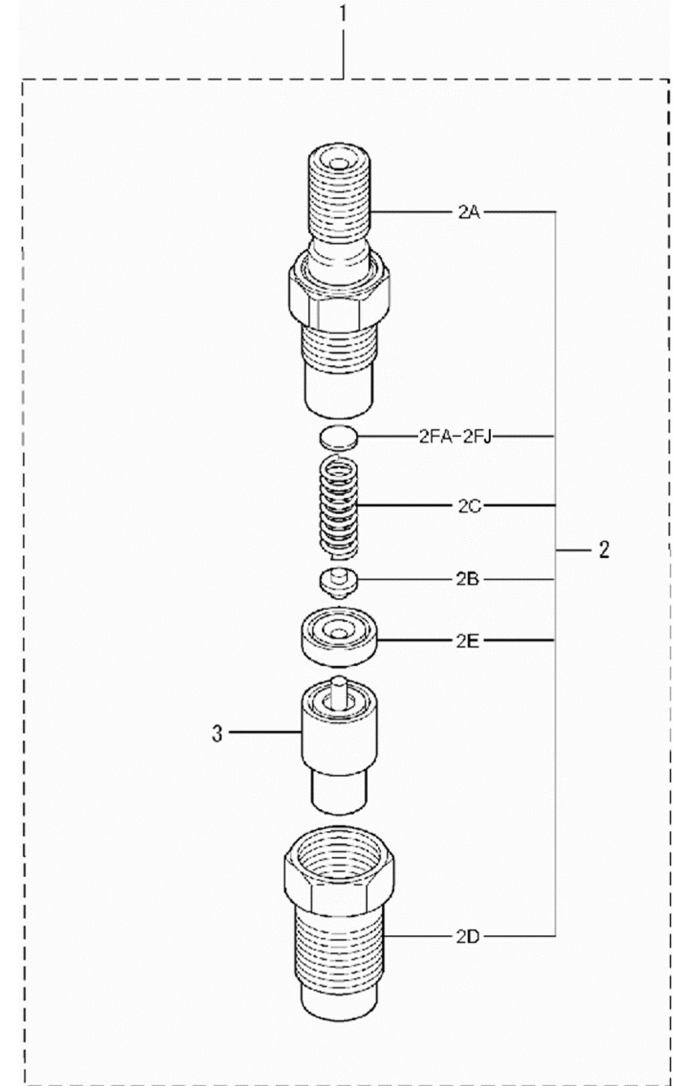


Genset G-15M-3 & G-15T-3

Fuel System

D GB01 4 2 Injection Nozzle

Fig.	Ref.	Qty.	Descr.	Obs	From	UpTo
1	13826001	3	Nozzle & Holder A			
2	13824013	3	Injector Washer			
2A	(*)	3	Not available		01/01/2016	
2B	13826003	3	Pin Pressure			
2C	17226004	3	Spring, Pressure			
2D	13826006	3	Nut RETAINING			
2E	13826007	3	PIECE DISTANCE			07/01/2020
2FA	13826010	0	Washer 1,25	#		
2FB	13826011	0	Washer 1,30	#		
2FC	13826012	0	Washer 1,35	#		
2FD	13826013	0	Washer 1,40	#		
2FE	13826014	0	Washer 1,45	#		
2FF	13826015	0	Washer 1,50	#		
2FG	13826016	0	Washer 1,55	#		
2FH	13826017	0	Washer 1,60	#		
2FI	13826019	0	Washer 1,65	#		
2FJ	13826020	0	Washer 1,70	#		
3	13826018	3	Nozzle Assy			

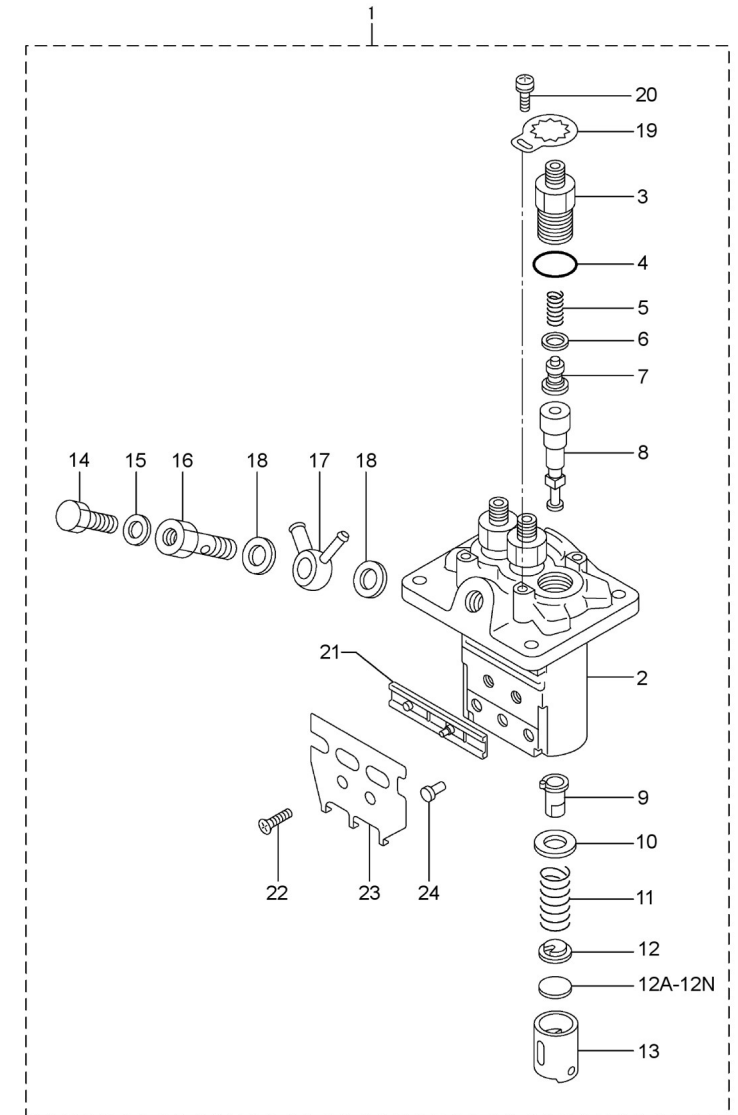


Genset G-15M-3 & G-15T-3

Fuel System

D GB01 4 3 Fuel Injection Pump

Fig.	Ref.	Qty.	Descr.	Obs	From	UpTo																																																
1	13925001G	1	Pump Assy,Fuel Injection																																																			
2	13925005	1	Housing SUB Assy																																																			
3	13825004	3	Holder																																																			
4	13825033	3	O-Ring D. 15X1,8																																																			
5	13825002	3	Spring																																																			
6	13125007	3	Gasket DELIVERY V																																																			
7	13825008.1	3	Valve SUB Assy																																																			
8	13825009	3	Element SUB Assy																																																			
9	13825010	3	SLEEVE SUB Assy																																																			
10	13825011	3	Seat																																																			
11	13825012	3	Spring																																																			
12	13825013	3	Seat																																																			
12A	13925015G	0	Plate Tappet Shim 1,85	#																																																		
12B	13825016G	0	Plate Tappet Shim 1,90	#																																																		
12C	13925017G	0	Plate Tappet Shim 1,95	#																																																		
12D	13925018G	0	Plate Tappet Shim 2,00	#																																																		
12E	13925019G	0	Plate Tappet Shim 2,05	#																																																		
12F	13925020G	0	Plate Tappet Shim 2,10	#																																																		
12G	13925021G	0	Plate Tappet Shim 2,15	#																																																		
12H	13925022G	0	Plate Tappet Shim 2,20	#																																																		
12I	13925023G	0	Plate Tappet Shim 2,25	#																																																		
12J	13925024G	0	Plate Tappet Shim 2,30	#																																																		
12K	13925025G	0	Plate Tappet Shim 2,35	#																																																		
12L	13925026G	0 <td Plate Tappet Shim 2,40	#			12M	13925027G	0	Plate Tappet Shim 2,45	#			12N	13925028G	0	Plate Tappet Shim 2,50	#			13	13825021	3	TAPPET Assy				14	13825026	1	Screw Air				15	13825025	1	Washer,DRAIN Screw				16	13825027	1	Screw HOLLOW				17	17325029.3	1	Nipple Swivel			
12M	13925027G	0	Plate Tappet Shim 2,45	#																																																		
12N	13925028G	0	Plate Tappet Shim 2,50	#																																																		
13	13825021	3	TAPPET Assy																																																			
14	13825026	1	Screw Air																																																			
15	13825025	1	Washer,DRAIN Screw																																																			
16	13825027	1	Screw HOLLOW																																																			
17	17325029.3	1	Nipple Swivel																																																			

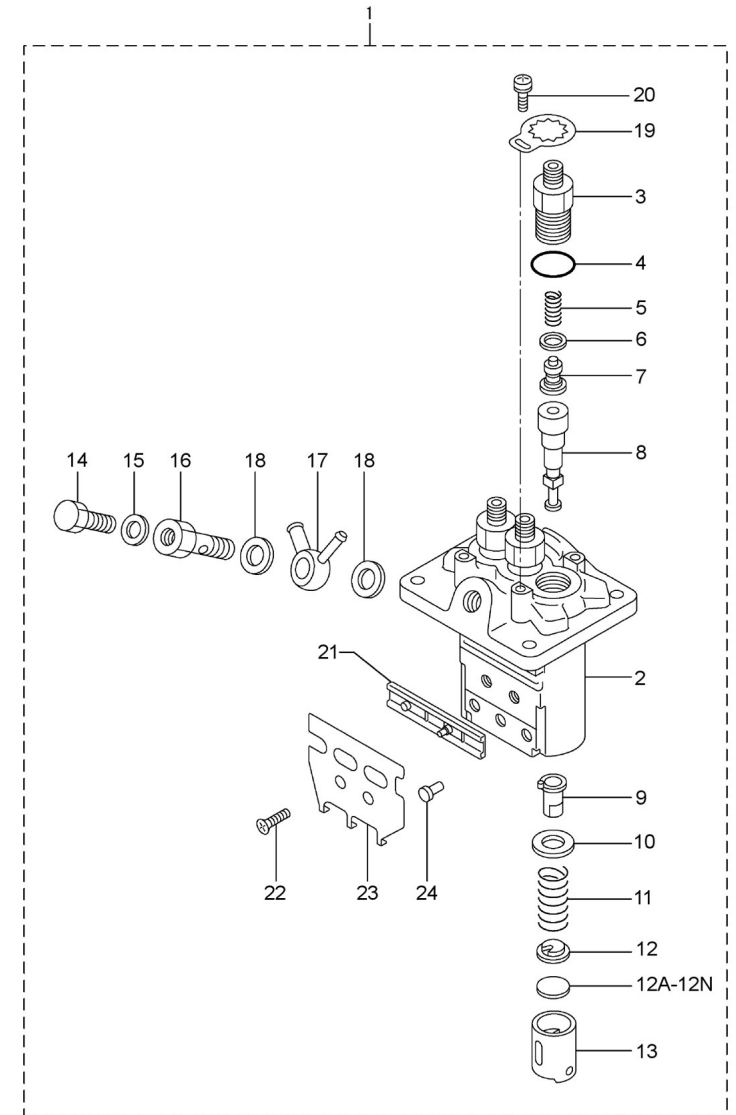


Genset G-15M-3 & G-15T-3

Fuel System

D GB01 4 3 Fuel Injection Pump

Fig.	Ref.	Qty.	Descr.	Obs	From	UpTo
18	13825061	2	Washer			
19	13825030	3	Plate Set			
20	13825028.1	3	Screw,W/Washer			
21	17625006.4	1	RACK Assy Control			
22	13825062	2	Screw			
23	13925063	1	Bracket Stop Wire			
24	13925034G	3	Pin Tappet Guide			

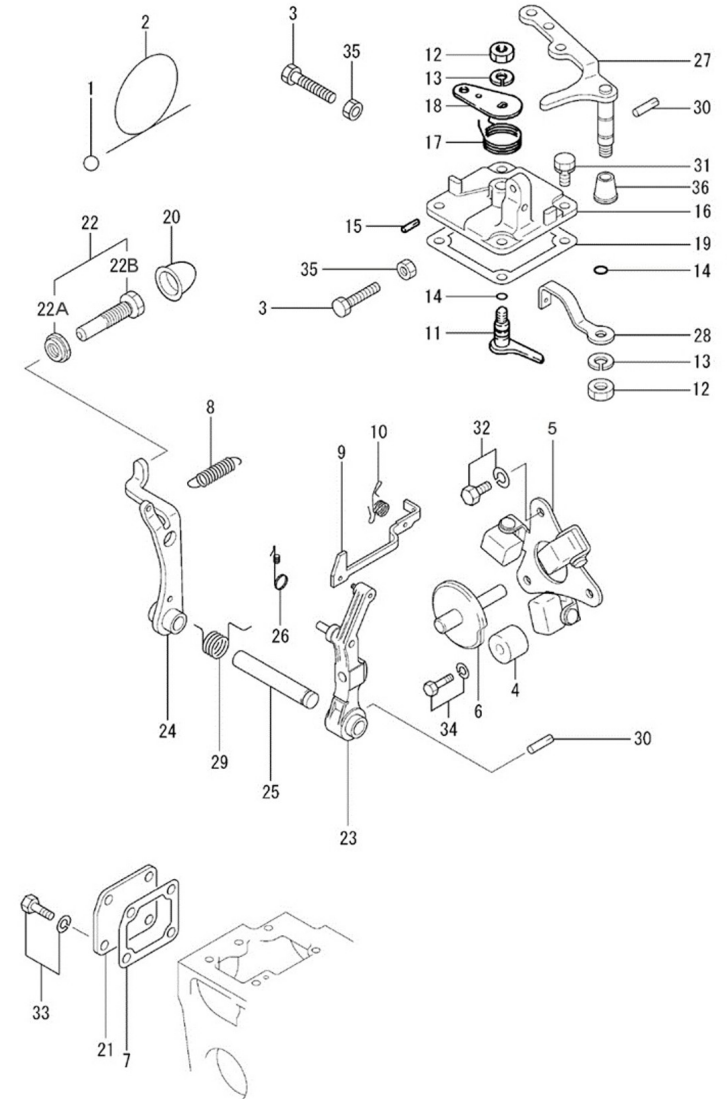


Genset G-15M-3 & G-15T-3

Fuel System

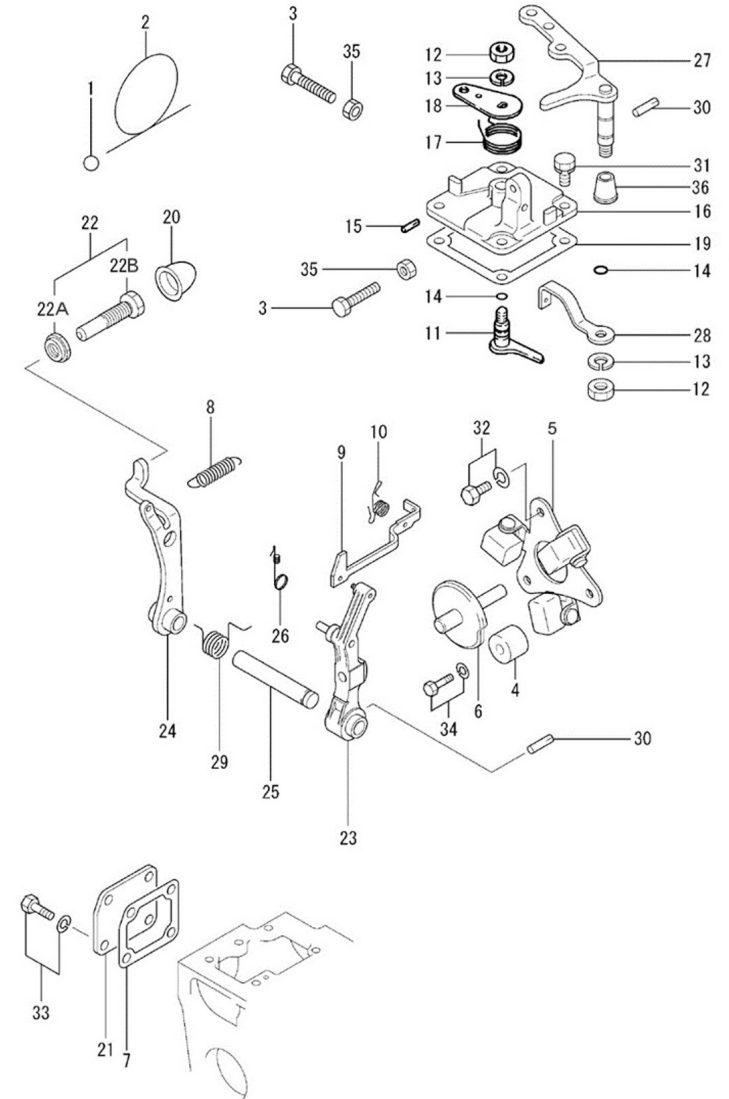
D GB01 4 4 Governor Parts

Fig.	Ref.	Qty.	Descr.	Obs	From	UpTo
1	17623020.4	1	Metal,Fuel		02/08/2017	
2	13123019	1	Metal Sealing			
3	13123017	2	Bolt High Speed			
4	13723005	1	Stopper			
5	13823001G.1	1	WEIGHT Assy,GOverNOR (Generator)			
6	60530009	1	Shaft Assy,sliding			
7	13823014	1	Gasket Tie Rod CO			
8	60539015G	1	Spring,Governor (Generator)			
9	13923005	1	ROD TIE			
10	13823028	1	Spring, Tie Rod			
11	13823026	1	Lever Assy Stop			
12	17223030	1	Nut			
13	53033008	1	Washer GROWER DIN 127-8			
14	13123021	1	O-Ring D. 7X1.8			
15	13823031	1	Pin GROOVED (3X14			
16	13923032G	1	Cover,GOverNOR			
17	13823030	1	Spring Return			
18	13823029	1	Lever Stop			
19	13823033	1	Gasket Governor Cover			
20	13823042	1	Cap TORQUE Set SE			
21	13823043	1	Cover TIE ROD			
22	(*)	1	Not available			
22A	17223035	1	Nut			
22B	13823034	1	RACK Set Screw (new)			
23	13823003	1	Lever Assy Governor			
24	13823007	1	Lever Assy TENSIO			
25	13823006	1	Shaft Governor			
26	13823044	1	Spring TIE ROD			
27	13823008	1	Lever Assy SPEED			
28	13823027	1	Lever Governor SP			
29	13823036	1	Spring START			



D GB01 4 4 Governor Parts


Fig.	Ref.	Qty.	Descr.	Obs	From	UpTo
30	13823009	2	Pin GROOVED			
31	52102155	4	Bolt DIN 933 M6-12 8.8			
32	13821033.1	2	Bolt,W/Washer			
33	17620054	4	Bolt			
34	13923011G	1	Bolt,W/Washer			
35	17223032	2	Nut			
36	17623045	1	Cover,Governor Shaft			

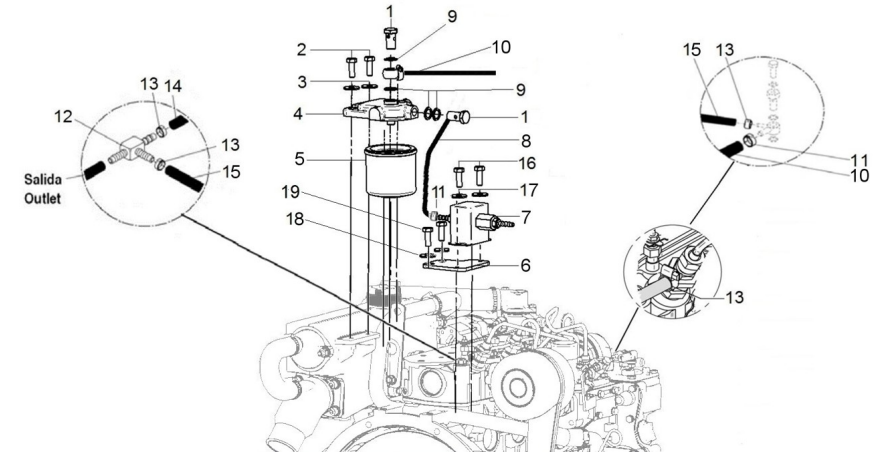


Genset G-15M-3 & G-15T-3

Fuel System

D GB01 4 5 Fuel Supply Parts

Fig.	Ref.	Qty.	Descr.	Obs	From	UpTo
1	12814051	2	Screw,eye			
2	52102258	2	Bolt DIN 933 M8-25 8.8			
3	51031008	2	Washer DIN 9021 8			
4	13114120	1	Cover,filter f/.SMI			
5	13114022	1	Fuel Filter Element from MINI 10 to 55			
6	60539018	1	Bracket			25/12/2024
6	60539026	1	Bracket		28/12/2024	
7	13814070	1	Electric Fuel Feed Pump 12V			
Figure A for 12V System						
7A	13814072	2	Straight Hose Connector 1/8" NPTF			
7B	57000361	2	Washer 10-14-1,5			
8	13914015	1	Pipe			
9	57000369	4	Washer 14,2-20-1,5			
10	17614027	1	Hose			
11	51086016	2	ONE EAR Clamp With INTERIOR Ring 14-16,3			
12	17614028	1	Bypass "T"			
13	51086010	4	One Ear Clamp With Interior Ring 10-11,5			
14	17614026	1	0,04 M. Hose			
15	17214025	1	0,31 M. Hose			
16	52102153	2	Bolt DIN 933 M6-8 8.8			
17	51030006	2	Washer DIN 125-6			
18	53033010	2	Washer GROWER DIN 127-10			
19	52202307	2	Bolt DIN 933 M10-1,25-20 8.8			
NS	60900126	1	TERMINAL			

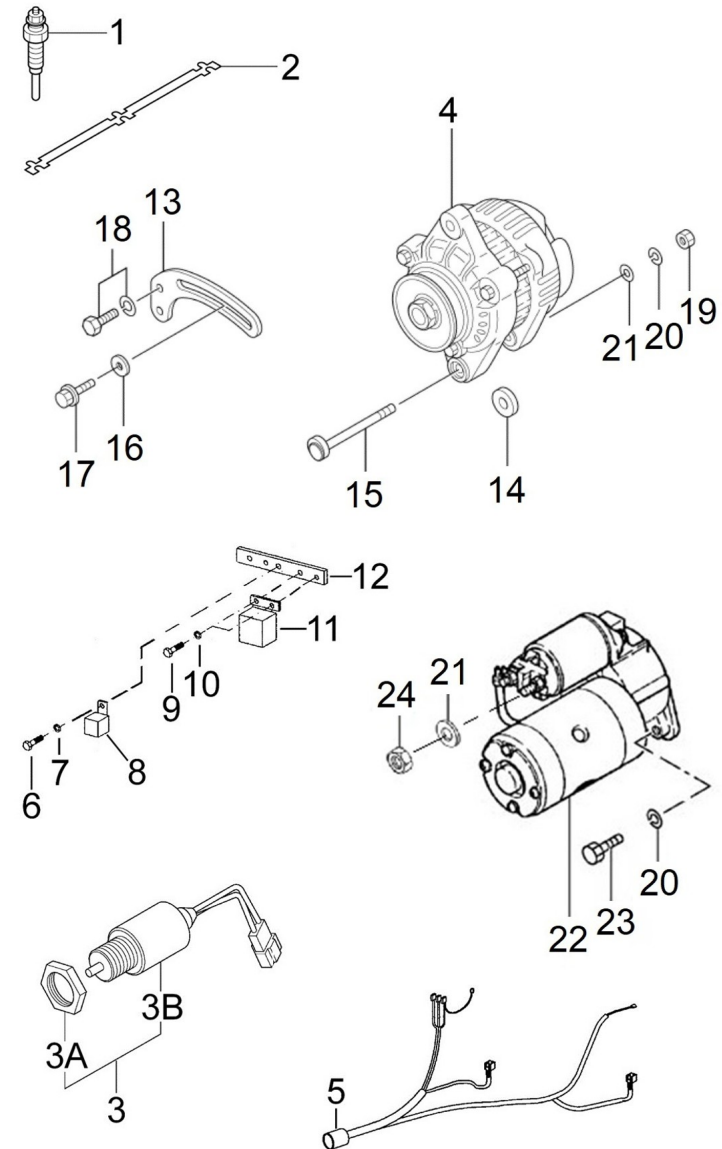


Genset G-15M-3 & G-15T-3

Electrical System

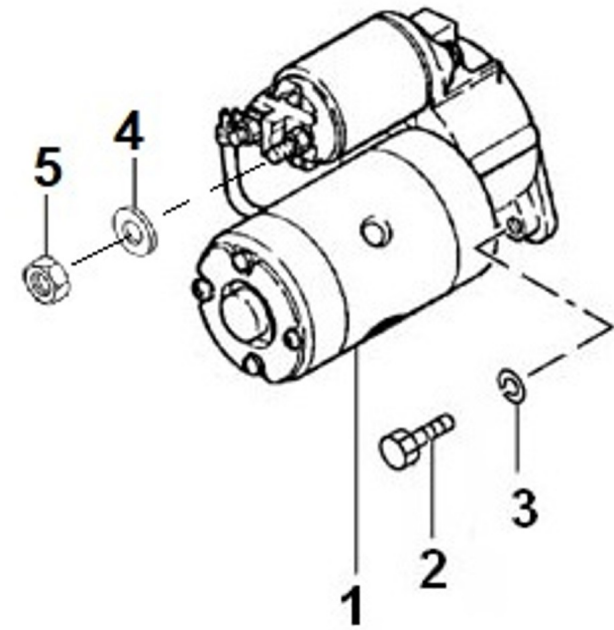
D GB01 5 5 12V Electrical Wiring 12V

Fig.	Ref.	Qty.	Descr.	Obs	From	UpTo
1	13827017	3	Plug,Glow			
2	17627018.4	1	Plate Glow Plug			
3	17324026G	1	SOLENOID, Assy			
3A	13425029	1	Nut (old)			
3A	17224100R	1	Kit Injection Pipes 2nd Wall			
3B	13824021G	1	Reloy Stop			
4	13827210	1	Alternator 12V/40A			
5	60939501.1	1	MINI-26 ETR Electrical Wiring Genset			25/12/2024
5	60939507	1	MINI-26 ETR Electrical Wiring Genset		28/12/2024	
6	52102153	1	Bolt DIN 933 M6-8 8.8			
7	51030006	1	Washer DIN 125-6			
8	18217005	1	Relay 12V 12-100			
9	52102104	2	Bolt DIN 933 M5-10 8.8			
10	51030005	2	Washer DIN 125-5			
11	13827005	1	Glow Relay			
12	13917001	1	Support,relay		14/06/2013	25/12/2024
12	60539026	1	Bracket		28/12/2024	
13	13827207	1	BRACE			
14	13827006	1	Spacer Generator			
15	13727008	1	Bolt ALT.			
16	51031008	1	Washer DIN 9021 8			
17	13827012	1	Bolt			
18	17620054	1	Bolt			
19	17427053G.1	1	Bolt Set (Generator)			
20	53033008	3	Washer GROWER DIN 127-8			
21	51030008	2	Washer DIN 125-8			
22	13827002.1	1	Starter Assy 12 V			
23	52102259	2	Bolt DIN 933 M8-30 8.8			
24	52120008	1	Nut DIN 934 M8 8.8			
NS	60900028	2	Diode 25A Studded cathode type DSI			



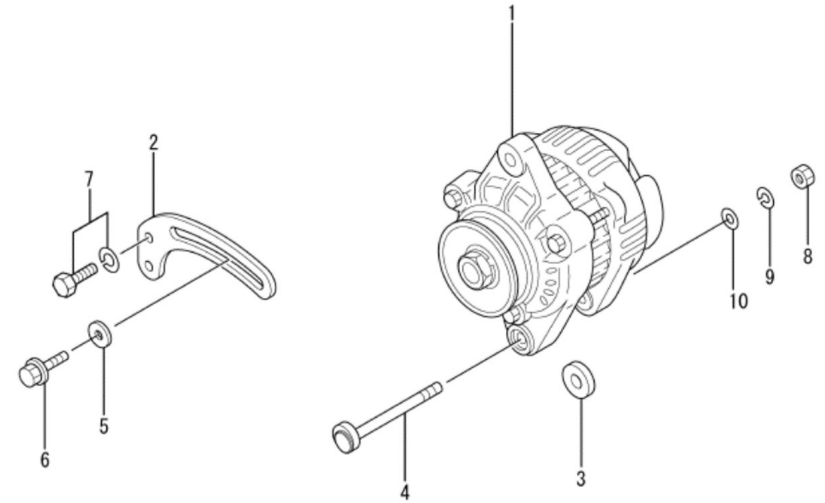
D MIB1 5 5 Starter Assy 12V

<i>Fig.</i>	<i>Ref.</i>	<i>Qty.</i>	<i>Descr.</i>	<i>Obs</i>	<i>From</i>	<i>UpTo</i>
1	13827002	1	Starter Assy 12 V			
2	52102259	2	Bolt DIN 933 M8-30 8.8			
3	53033008	2	Washer GROWER DIN 127-8			
4	51030008	1	Washer DIN 125-8			
5	52120008	1	Nut DIN 934 M8 8.8			



D GB01 5 1 Kit Alternator 12V/40A

<i>Fig.</i>	<i>Ref.</i>	<i>Qty.</i>	<i>Descr.</i>	<i>Obs</i>	<i>From</i>	<i>UpTo</i>
1	13827210	1	Alternator 12V/40A			
2	13827207	1	BRACE			
3	13827006	1	Spacer Generator			
4	13727008	1	Bolt ALT.			
5	51031008	1	Washer DIN 9021 8			
6	13827012	1	Bolt			
7	17620054	1	Bolt			
8	17427053G.1	1	Bolt Set (Generator)			
9	53033008	1	Washer GROWER DIN 127-8			
10	51030008	1	Washer DIN 125-8			



D MI26GST3ST 05 5 Panels for Genset




Fig.	Ref.	Qty.	Descr.	Obs	From	UpTo
1A	61939230.3S	1	Panel SCO 5 G-15M-3 12V 230V			
1B	61939400.3S	1	Panel SCO 5 G-15T-3 12V 400/230V			

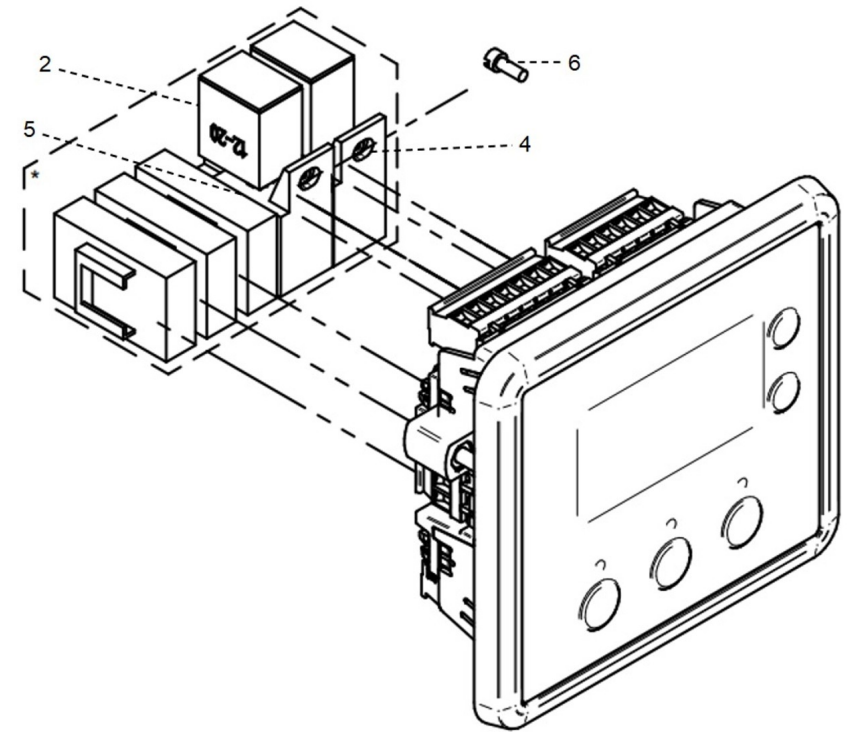


Genset G-15M-3 & G-15T-3

Electrical System

D PANELGRUPO2_01 Panel Components for Genset

Fig.	Ref.	Qty.	Descr.	Obs	From	UpTo
2A	60900091	4	MICRO Relay 12V 12-20			
Figure A for 12V System						
2B	60900092	4	MICRO Relay 24V 24-10			
Figure b for 24V System						
4	51030005	2	Washer DIN 125-5			
5	61900001	1	Rail Guide For Modular Micro Relay Holder - Fusible			29/03/2023
5	61900002	1	Rail Guide For Modular Micro Relay Holder - Fusible			29/03/2023
6	51918054	2	Bolt DIN 7981C 3,5-9,5			
NS	60972112	1	Wiring BRIDGE MONOF. Panel COMAP			
NS	60972123	1	Electrical System Back Panel SCO 5			
NS	61972124	1	SCO 5 Panel Screw Bracket			



Genset G-15M-3 & G-15T-3

Electrical System

D WIC1 1 1 Genset Extension

<i>Fig.</i>	<i>Ref.</i>	<i>Qty.</i>	<i>Descr.</i>	<i>Obs</i>	<i>From</i>	<i>UpTo</i>
1A	60938210I	1	Genset Wiring Ext. 3 M. CPC			
1B	60985210I	1	Genset Wiring Ext. 4 M. CPC			
1C	60938221	1	Genset Wiring Ext. 6 M. CPC			
1D	60938212	1	Genset Wiring Ext. 8 M. CPC			
1E	60985210.12I	1	Genset Wiring Ext. 12 M. CPC			
1F	60985210.18I	1	Genset Wiring Ext. 18 M. CPC			
1G	60985210.24I	1	Genset Wiring Ext. 24 M. CPC			
1H	60985210.30I	1	Genset Wiring Ext. 30 M. CPC			
1I	60974552	1	3-way Wiring Wxtension for Auxilliary Kits 4 m			
1J	60900165	1	3-way Wiring Extension for Auxilliary Kits 6 m			
1K	60900166	1	3-way Wiring Extension for Auxilliary Kits 12 m			
1L	60900167	1	3-way Wiring Extension for Auxilliary Kits 24 m			
1M	60972104	1	Double Panel SCO 12 M. Harness			
1N	60972105	1	Double Panel SCO 24 M. Harness			
1O	60972110	1	Double Panel SCO 36 M. Harness			
1P	60972145	1	Double Panel SCO 45 M. Harness			

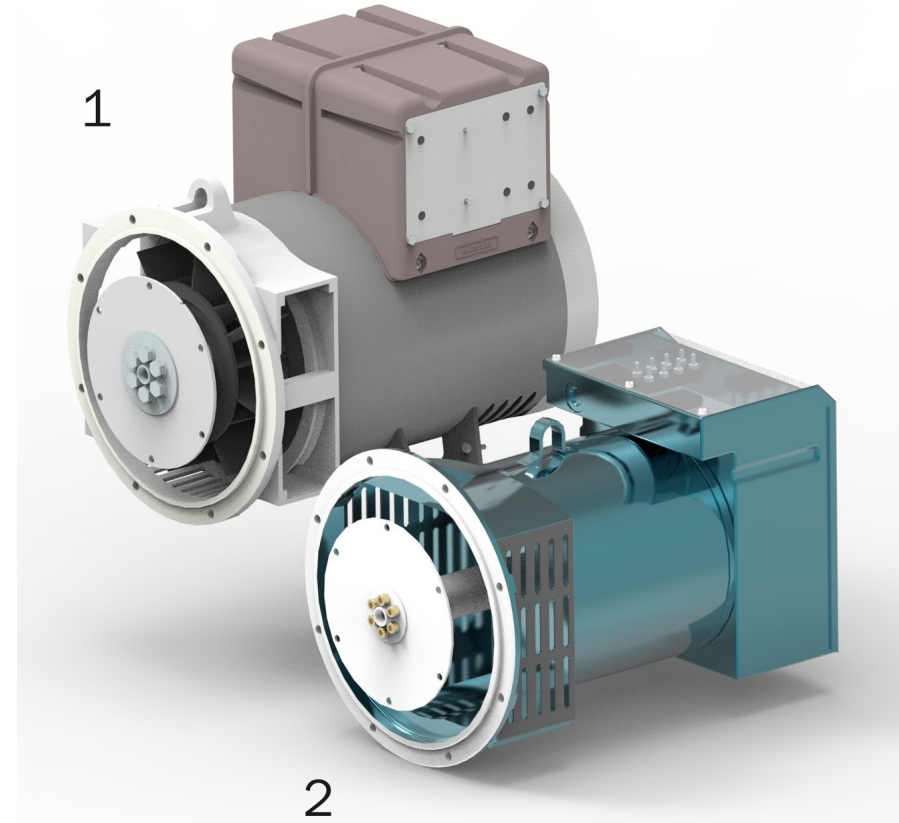


Genset G-15M-3 & G-15T-3

Genset Alternator Spare Parts

D MI26GST3ST 06 1 Alternator G-15M-3 y G-15T-3

<i>Fig.</i>	<i>Ref.</i>	<i>Qty.</i>	<i>Descr.</i>	<i>Obs</i>	<i>From</i>	<i>UpTo</i>
1A	60513116R	1	Alt.MECC.ALTE I 15KVA 3000RPM 230V (R)			
1B	605131017ZI0R	1	ALT.MECC.ALTE I 17KVA 3000RPM 230V			
2A	60513316R	1	Alt.MECC.ALTE III 16KVA 3000 400/230 (R)			
2B	605133015Z0R	1	Alt.MECC.ALTE III 16KVA 3000RPM			

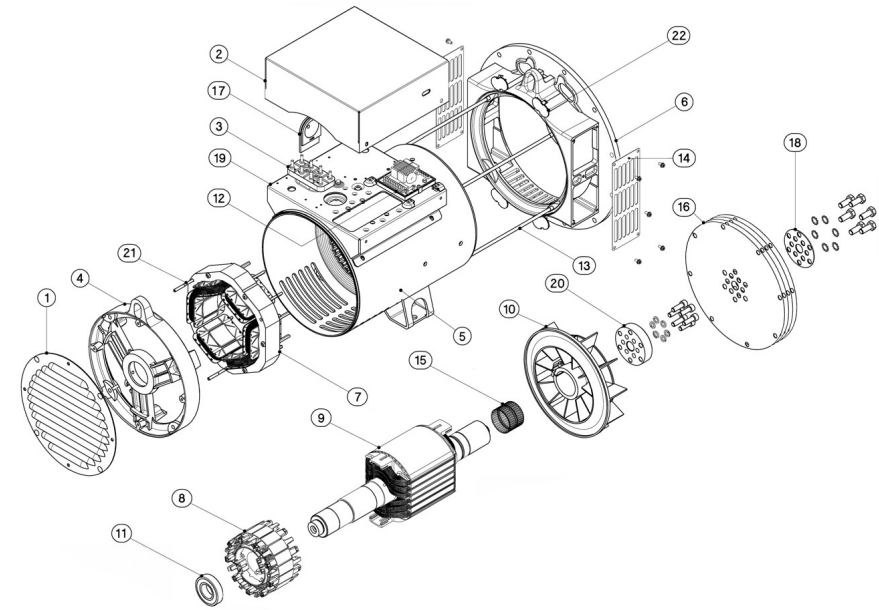


Genset G-15M-3 & G-15T-3

Genset Alternator Spare Parts

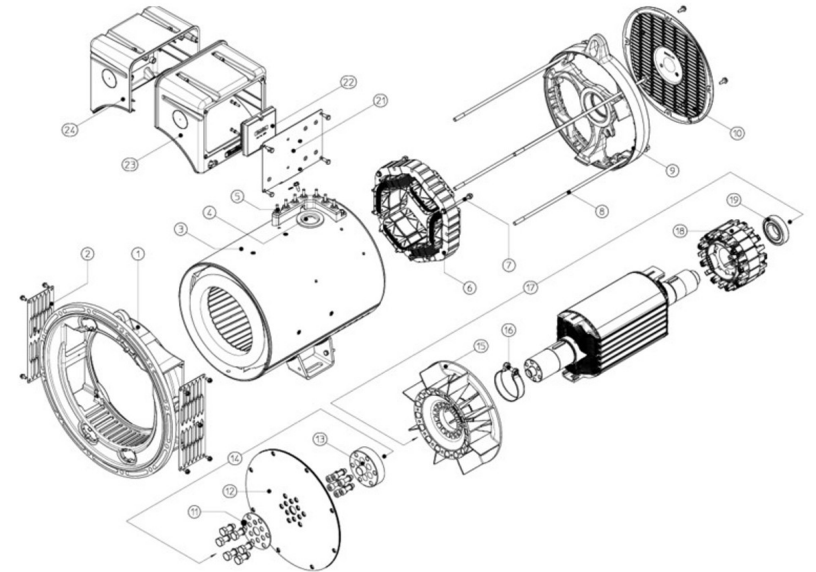
D 60513116 Alternator G-15M-3

Fig.	Ref.	Qty.	Descr.	Obs	From	UpTo
1	60513329.1	1	Rear Seal			
2	60511320.1.2	1	Terminal Box LID			
3	60513329.3	1	Terminal Board 8 pin			
4	60511320.1.7	1	NON Drive END Bracket			
5	60513329.5	1	Frame and Stator 2L			
6	60511320.1.9	1	Drive END Bracket MD35 SAE5			
7	60513329.7	1	Exciter Stator H-45 6P			
8	60513329.8	1	Exciter Armature H-45 6P			
9	60513329.9	1	Rotor Assy 2L MD35			
10	60513329.10	1	Fan			
11	60513329.11	1	Rear Bearing 6207-2RS C3			
12	60500023.1	1	Electronic Regulator DSR			
13	60513329.13	1	Cover Stay Bolt "L"			
14	60513329.14	2	Protection Screen SAE			
15	60513329.15	1	Fixing Ring SV 60-522			
16	60513329.16	1	Fixing Ring SV 60-522			
17	60513329.17	1	Cable Grommet			
18	60513316.16	1	Disc Locking Ring-Spacer			
19	60513329.19	1	Component-Carrying Panel			
20	60513329.20	1	Ring Spacer Vol. 8 - 10			
21	60513329.21	1	Exciter Stay Bolt			
22	60513329.22	1	Cap for MD35/3 D.E. Bracket			
NS	60511320.1.11	1	Diode	⊘		
NS	60513329.24	1	DI1 for DSR/DER1 + Cable DI1/Reg.	⊘		
NS	60513329.25	1	Front Bearing 6309-2RS C3	⊘		



D 605131017ZIO Alternator G-15M-3 C-TYPE

Fig.	Ref.	Qty.	Descr.	Obs	From	UpTo
1	60511320.1.9	1	Drive END Bracket MD35 SAE5			
2	M8500626501	1	Protection Screen MD35			
3	M3501617002	1	Frame And Stator 1L_2C (Not Painted)			
4	605113050Z4.7	1	Cable Grommet			
5	M392050070	1	Kit Terminal Board 7 Pin M6			
6	M4500475650	1	Exciter Stator H-35 6P			
7	M6110605267	1	Exciter Stay Bolt			
8	M9911190312	1	Cover Stay Bolt L_2C			
9	M6102204205	1	Non Drive End Bracket (Not Painted)			
10	M9909513305	1	Rear Seal			
11	60513316.16	1	Disc Locking Ring-Spacer			
12	M6110611170	1	Disc SAE 6,5			
13	M7502212045	1	Ring Spacer Vol. 8 - 10			
14	M391704811	1	Kit Coupling Disc Plates SAE 6,5			
15	M9909514079	1	Plastic Fan			
16	M9911150003	1	Clamp Diam. 76x22			
17	M2001034351	1	Rotor Assy 1L_2C, MD35			
18	M4500568180	1	Exciter Armature H-35			
19	60513329.11	1	Rear Bearing 6207-2RS C3			
20	605113075Z0.13	1	Rear bearing 6309-2RS C3			
21	M9903910035	1	Reg. Panel,Not Painted(Stand.)			
22	M391600175	1	Kit Electronic Regulator DSR			
23	M9909513316	1	Box,AVR Side,Not Painted (Stand.)			
24	M9909513318	1	Box,Closed Side,Not Painted(Stand.)			
NS	605113050Z4.24	1	Kit Terminal Box Painted (2+20+75b+98+17)			
NS	605113075Z0.4	1	9910356051			

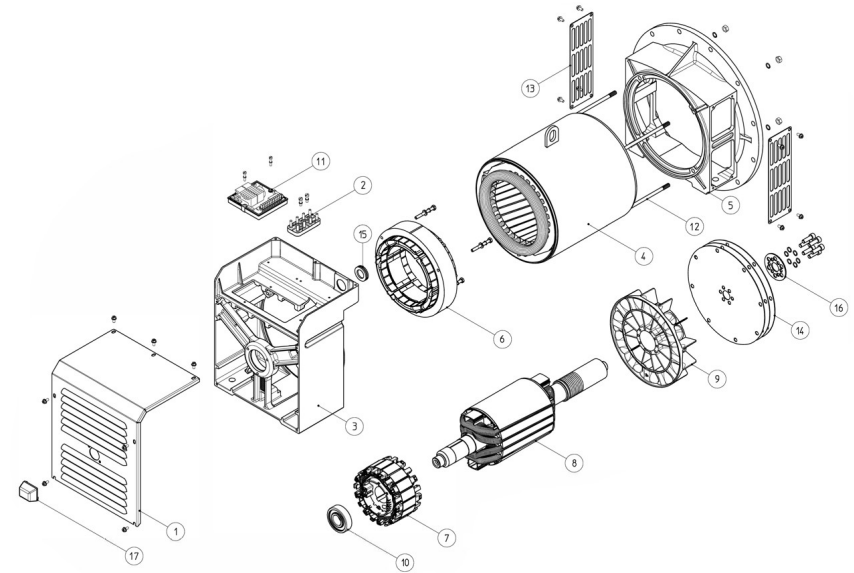


Genset G-15M-3 & G-15T-3

Genset Alternator Spare Parts

D 60513316 Alternator G-15T-3

Fig.	Ref.	Qty.	Descr.	Obs	From	UpTo
1	60513316.1	1	Terminal Box Lid			
2	60513316.2	1	Terminal Board 76x36 M5			
3	60513316.3	1	Non Drive End Bracket			
4	60513316.4	1	Frame and Stator 1L/2			
5	60513316.5	1	Drive End Bracket MD35/5			
6	60511310.1.10	1	EXCITER STATOR			
7	60513316.7	1	Exciter Armature H-40 6P + Diodes			
8	60513316.8	1	Rotor Assy 1L/2 MD35			
9	60513316.9	1	Fan MD35 - D. 50			
10	60513316.10	1	Rear Bearing 6305-2RS C3			
11	60500023.1	1	Electronic Regulator DSR			
12	60513316.12	1	Cover Stay Bolt ECP 3-L			
13	60513316.13	2	Kit Protection Screen B14 B9 MD35			
14	60513316.14	1	Kit Coupling Disc Plates SAE 6,5			
15	60513316.15	1	Cable Gland			
16	60513316.16	1	Disc Locking Ring-Spacer			
17	60513316.17	1	Nut-Cover Rubber Cap for Lid			
NS	60513316.18	1	Diode for Exciter Armature			
NS	60513316.19	1	Ring Spacer Vol. 8 - 10			
NS	60513316.20	1	Kit USB2DxR			

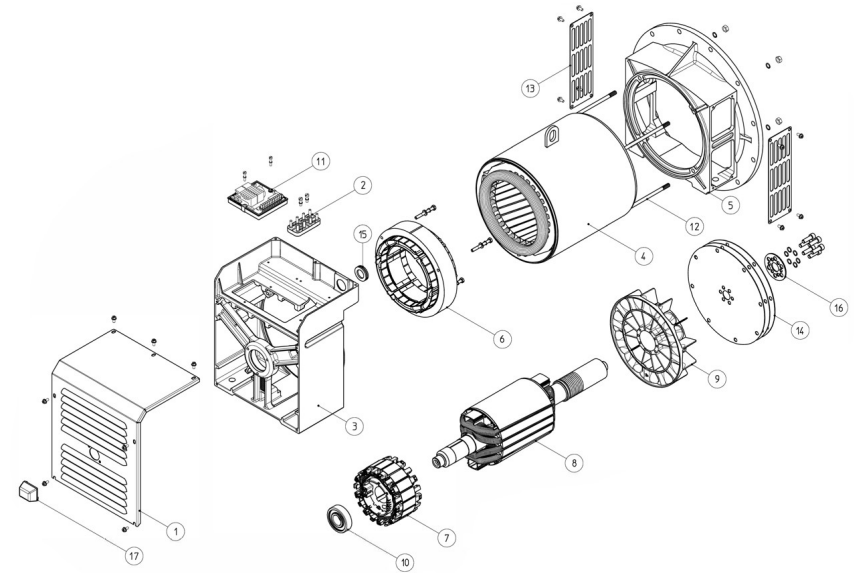


Genset G-15M-3 & G-15T-3

Genset Alternator Spare Parts

D 60513301520 Alternator G-15T-3

Fig.	Ref.	Qty.	Descr.	Obs	From	UpTo
1	60513316.1	1	Terminal Box Lid			
2	60513316.2	1	Terminal Board 76x36 M5			
3	60513316.3	1	Non Drive End Bracket			
4	60513316.4	1	Frame and Stator 1L/2			
5	60513316.5	1	Drive End Bracket MD35/5			
6	60511310.1.10	1	EXCITER STATOR			
7	60513316.7	1	Exciter Armature H-40 6P + Diodes			
8	60513316.8	1	Rotor Assy 1L/2 MD35			
9	60513316.9	1	Fan MD35 - D. 50			
10	60513316.10	1	Rear Bearing 6305-2RS C3			
11	60500023.1	1	Electronic Regulator DSR			
12	60513316.12	1	Cover Stay Bolt ECP 3-L			
13	60513316.13	2	Kit Protection Screen B14 B9 MD35			
14	60513316.14	1	Kit Coupling Disc Plates SAE 6,5			
15	60513316.15	1	Cable Gland			
16	60513316.16	1	Disc Locking Ring-Spacer			
17	60513316.17	1	Nut-Cover Rubber Cap for Lid			
NS	60513316.18	1	Diode for Exciter Armature			
NS	60513316.19	1	Ring Spacer Vol. 8 - 10			
NS	60513316.20	1	Kit USB2DxR			

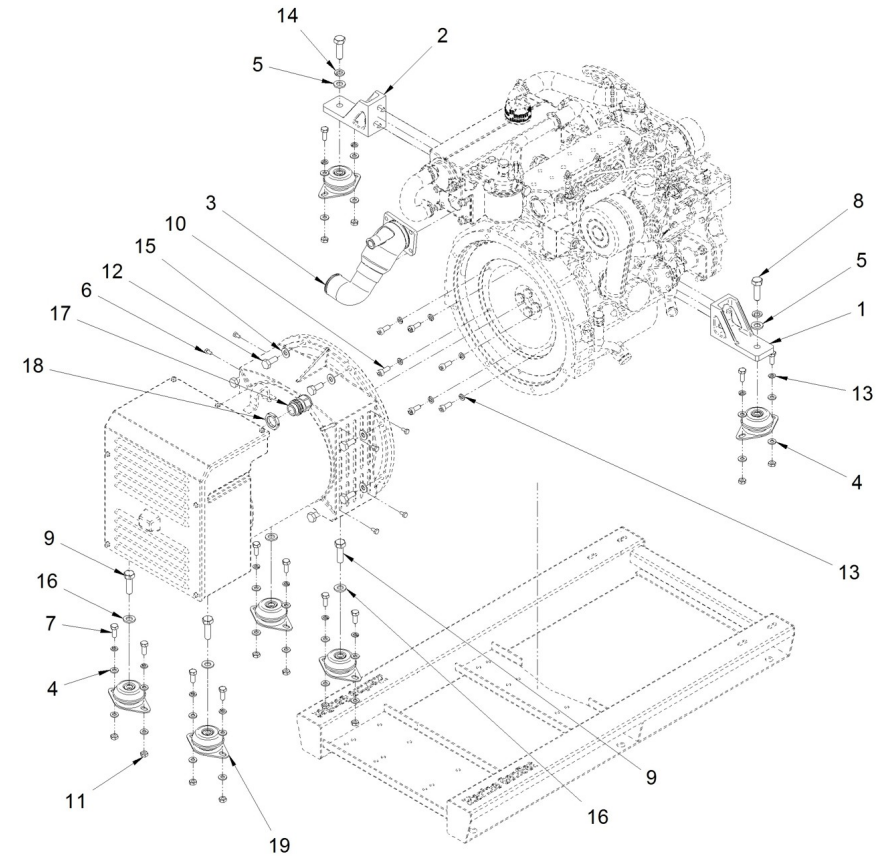


Genset G-15M-3 & G-15T-3

Genset Alternator Kit

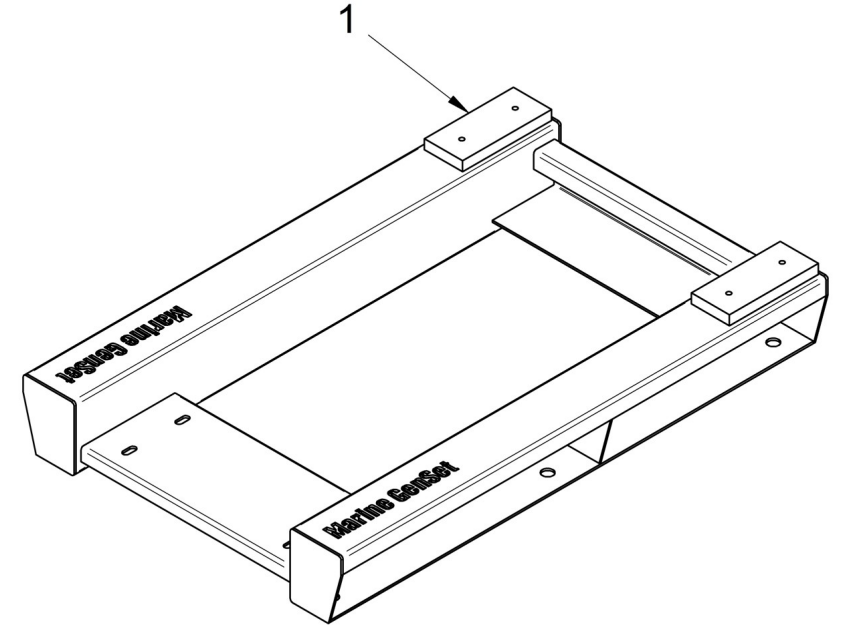
60539112 Kit Genset MINI-26 for ECP3-1L/2

Fig.	Ref.	Qty.	Descr.	Obs	From	UpTo
1	13810003.1	1	Bracket, Engine			
1	13810038.1	1	Engine Genset Left Support			
2	13810004.1	1	Bracket, Engine			
2	13810039.1	1	Genset Engine Right Support			
3	17613015G.1	1	Wet Exhaust Elbow Genset Alt. MECCALTE			
4	51030008	24	Washer DIN 125-8			
5	51030012	2	Washer DIN 125-12			
6	52102104	8	Bolt DIN 933 M5-10 8.8			
7	52102257	12	Bolt DIN 933 M8-20 8.8			
8	52102359	2	Bolt DIN 933 M12-30 8.8			
9	52102360	4	Bolt DIN 933 M12-35 8.8			
10	52103257	6	Bolt DIN 912 M8-20 8.8			
11	52120008	12	Nut DIN 934 M8 8.8			
12	52202308	8	Screw DIN 961 8.8 M-10/1,25X25			
13	53033008	18	Washer GROWER DIN 127-8			
14	53033012	2	Washer Grower DIN 127-12			
15	53038010	8	Washer DIN 6798-A 10			
16	53038012	4	Washer DIN 6798-A 12			
17	60900306	1	Connector Press CAPTOR-2000 M25 RAL7001			
18	60900309	1	Screw Connector Press Captor-2000 M25			
19	61638001	6	Engine Mount Type F 50 SHA M12 H 34			
NS	60530033	1	Spring,governor	☒		
NS	60900158	1	Terminal Tubular Sleeve (1.5)	☒		
NS	TR.1.5.5	4	Ring Terminal 1.5 Sec.	☒		



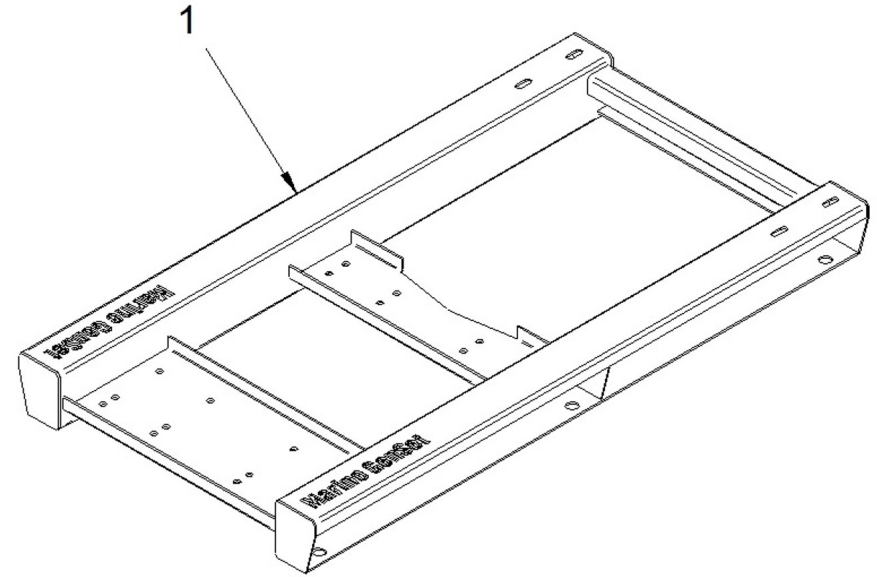
D 60539021 Chassis

<i>Fig.</i>	<i>Ref.</i>	<i>Qty.</i>	<i>Descr.</i>	<i>Obs</i>	<i>From</i>	<i>UpTo</i>
1	60539021	1	CHASSIS,Assy			



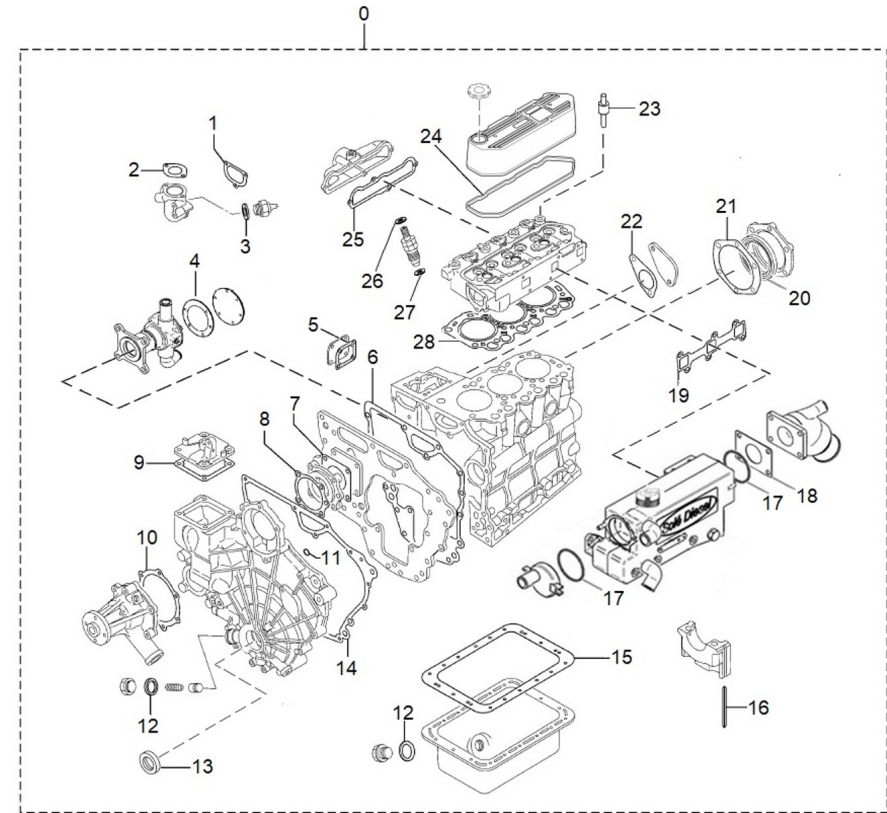
D 60539016 **M26 G6M15-G6T15-G15T15 Chassis**

<i>Fig.</i>	<i>Ref.</i>	<i>Qty.</i>	<i>Descr.</i>	<i>Obs</i>	<i>From</i>	<i>UpTo</i>
1	60539016	1	M26 G6M15-G6T15-G15T15 CHASSIS			



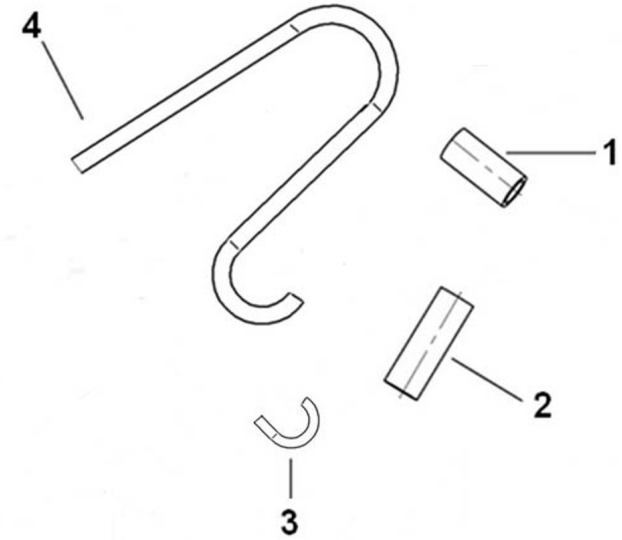
D 13920101 Gasket Kit

Fig.	Ref.	Qty.	Descr.	Obs	From	UpTo
0	13920101	1	Kit Gasket			
1	17621033.4	1	Gasket Thermostat			25/03/2020
3	MH594601601	1	Washer			
4	31211003	1	Gasket Cover			
5	13823014	1	Gasket Tie Rod CO			
6	13820018	1	Gasket Front Plate			
7	13120047	1	Gasket Water Pump			
8	13820038	1	Gasket Housing			
9	13823033	1	Gasket Governor Cover			
10	13821022	1	Gasket Water Pump			
11	13820044	2	O-Ring D. 11X2,5			
12	56000077	2	Washer 18-23-1,5			
13	13820039	1	Oil Seal			
14	13820040	1	Gasket Gear Case			
16	13820002	4	Seal Side			
17	13811007	2	O-Ring D. 57X2,5			
18	17613014	1	Gasket			
19	17621043	1	Gasket			
20	13820008	1	Seal Oil			
21	13820016	1	Gasket Oil Seal C			
22	17620012.4	1	Gasket Cover			
23	13222054	6	Seal Valve Stem			
24	13921010	1	Gasket Rocker Cover			
25	17621032	1	Gasket Intake COV			
26	17424025G.1	3	Gasket Fuel Return (Genset)			
27	13824013	3	Injector Washer			
28	17621004	1	Gasket,Cylinder Head			
NS	12111006	1	O-Ring			
NS	13114002	1	Gasket			



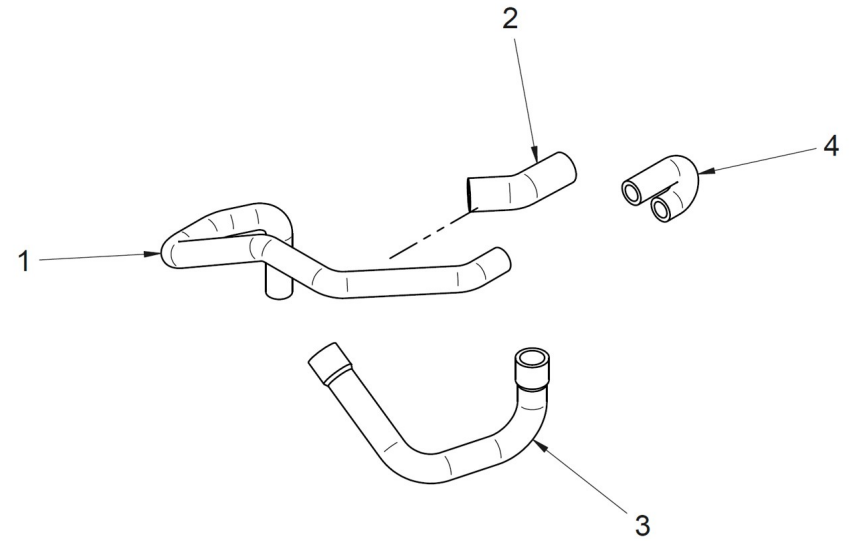
1761100.4 **Pipe Rubber Set,Water Line 4 V.MINI-29**

<i>Fig.</i>	<i>Ref.</i>	<i>Qty.</i>	<i>Descr.</i>	<i>Obs</i>	<i>From</i>	<i>UpTo</i>
1	13811017	2	Pipe 28-38-80			
2	17611002	1	Pipe 28-38-110			
3	17611034	1	Hose			
4	M87501927	1.0	Water Intake Hose (HQ) D. 19-27			



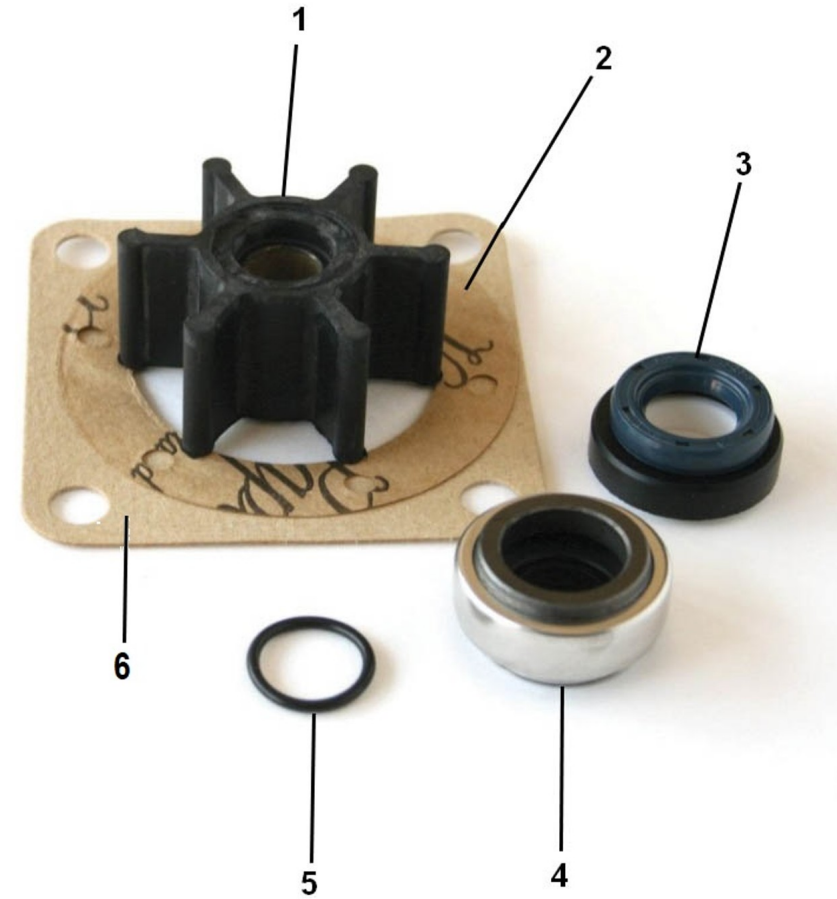
1381100.6 Pipe Rubber Set,water line 6 V.

<i>Fig.</i>	<i>Ref.</i>	<i>Qty.</i>	<i>Descr.</i>	<i>Obs</i>	<i>From</i>	<i>UpTo</i>
1	13811028	1	Sleeve Rubber			
2	13811029	1	Sleeve Rubber			
3	13811030	1	Sleeve Rubber			
4	13811032	1	Elbow			



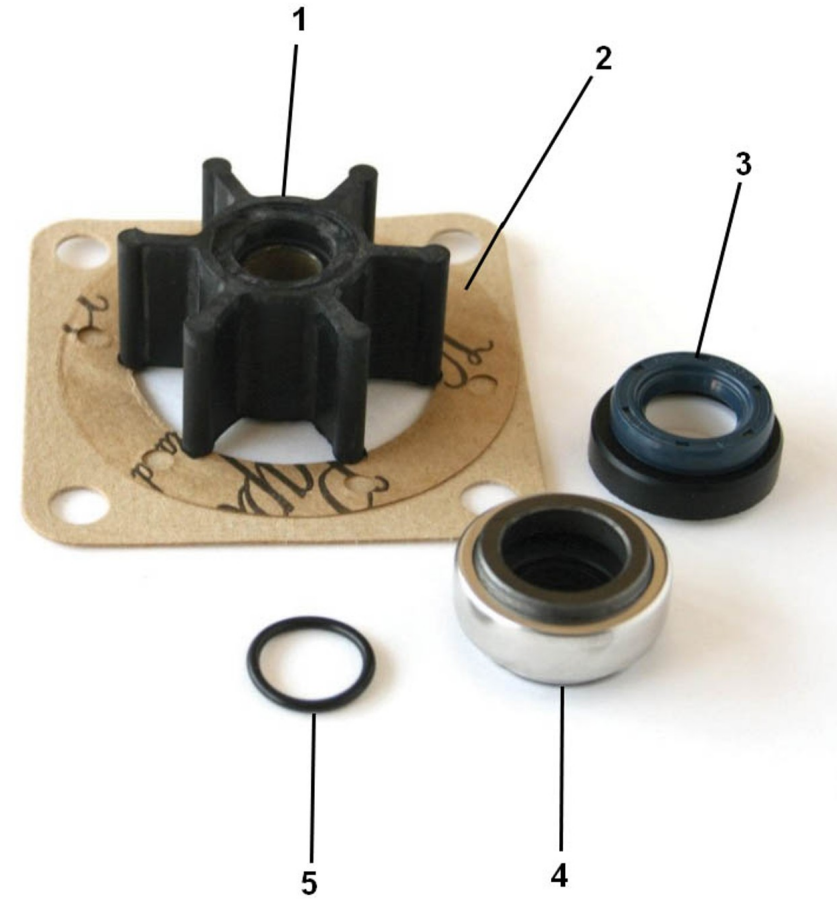
37011200K **Repair Kit Water Pump 1/2"**

<i>Fig.</i>	<i>Ref.</i>	<i>Qty.</i>	<i>Descr.</i>	<i>Obs</i>	<i>From</i>	<i>UpTo</i>
1	31211008	1	1/2" Impeller			
2	31211003	1	Gasket Cover			
3	33411020	1	Seal			
4	33411019	1	Seal			
5	33311013	1	O-Ring D. 15X2			
6	13120047	1	Gasket Water Pump			



33811000K **Repair Kit Water Pump 1/2"**

Fig.	Ref.	Qty.	Descr.	Obs	From	UpTo
1	31211008	1	1/2" Impeller			
2	31211003	1	Gasket Cover			
3	33411020	1	Seal			
4	33411019	1	Seal			
5	33311013	1	O-Ring D. 15X2			
NS	17011007	1	O-Ring D. 57X3			



D UTILFA0968 1 Special Tools

<i>Fig.</i>	<i>Ref.</i>	<i>Qty.</i>	<i>Descr.</i>	<i>Obs</i>	<i>From</i>	<i>UpTo</i>
1	U30L9110010	1	Piston Pin Setting Tool			
2	13811063	1	Refrigerator Mounting Key			
3	UMM74007	1	Piston Ring Pliers			
4	UST332270	1	Compression Gauge Adapter			

