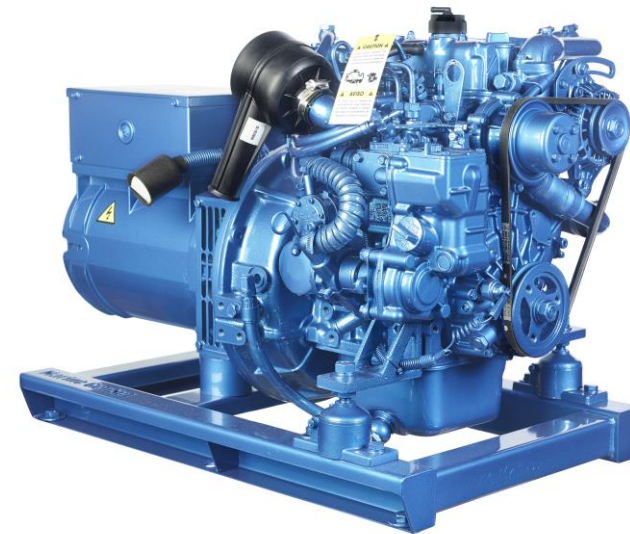
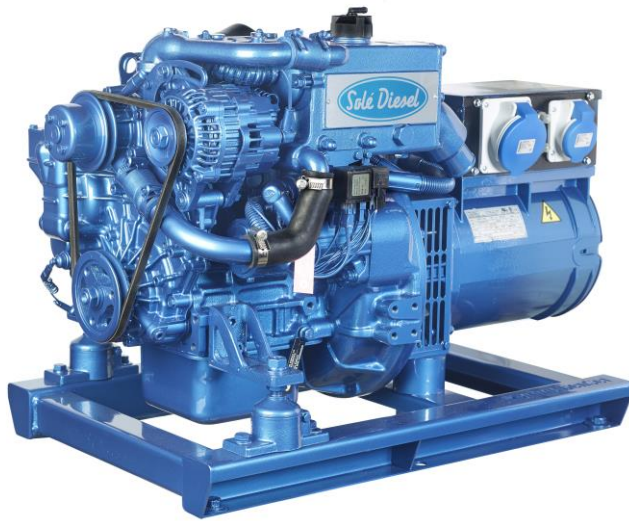




Genset G-8M-3 & G-8T-3

VERSION 2023-8

SPARE PARTS MANUAL



PARTS LIST CATALOGUE

NORMS TO PLACE AN ORDER:

For fast and more efficient service, please specify the following information on spare parts orders that must be preferably done by FAX or e-mail as specified below:

- 1- Engine model: As shown in identification plate
- 2- Engine serial number: As shown in identification plate and stamped on crankcase
- 3- Item description + part number + quantity required

Spare parts requests must be addressed to:

recambios@solediesel.com

Telf.: +34 93 775 44 05

Fax: +34 93 775 30 13

The components shown in the catalog have:

- Figure: Number by which they are represented in scheme
 - Description: Trade name of the component
 - Quantity: Total number of parts used in the assembly of the part represented (may differ from the total minimum quantities)
- Hoses, indicates the total length in meters
-

The diagrams shown in this catalog of spare parts, have only the purpose to identify the piece in question, its representation is not meaningful and may differ from the actual piece.

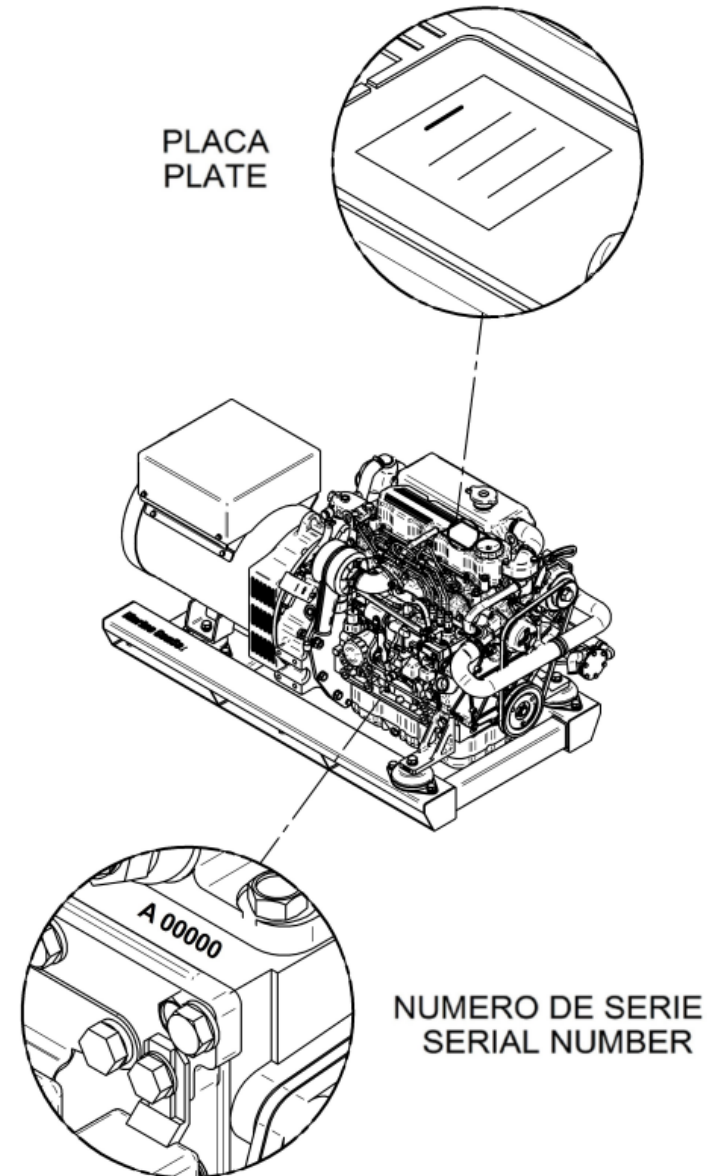
In case of doubt, contact Solé Diesel, or your authorized dealer.

The parts i / or references in this catalog are subject to change without notice.

SOLÉ S.A.

C-243b, Km, 2 - P.O. BOX 15
08760 Martorell (Barcelona) Spain

Download the latest version of this manual [HERE](#)



Contents



Engine Body

Cylinder Head
Rocker Cover & Breather
Valve Drive
Timing Parts
Gear Case
Crankcase
Rear Plate
Piston & Connection Rod
Crankshaft & Flywheel
Oil System
Oil Pan
Engine Brackets

Inlet & Exhaust

Inlet

Cooling System

Water Pump
Cooler Pipes
Water Cooler Assy MINI-17
1/2" Pump Water, Set
Splined Pump 1/2" MINI-11/17/29/33/44
Wet Exhaust

Fuel System

Fuel Pipe
Injection Nozzle
Fuel Injection Pump
Governor Parts
Fuel Supply Parts

Electrical System

Electrical Wiring 12V
Starter Assy 12V
Kit Alternator 12V/40A
Panels for Genset
Panel Components for Genset
Genset Extension

Alternator Spare Parts

Alt. 60513109 for Genset G-8M-3
Alt. 60513309 for Genset G-8T-3

Alternator Genset Kit

Kit Genset MINI-17 ES20FS

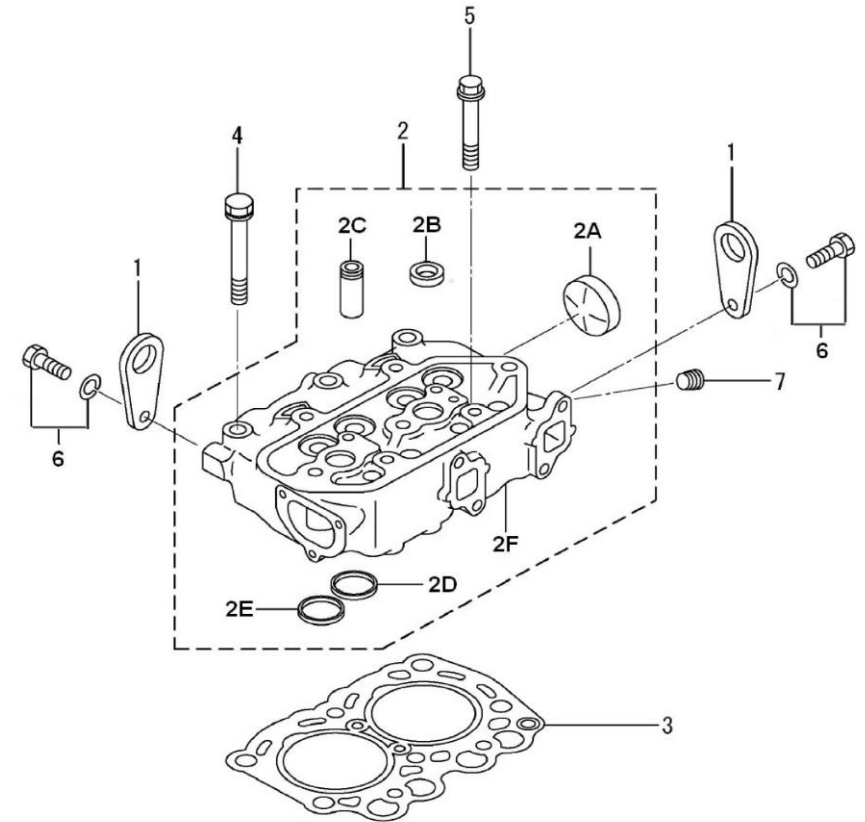
Chassis Spare Parts

Chassis, Assy

Maintenance Kit

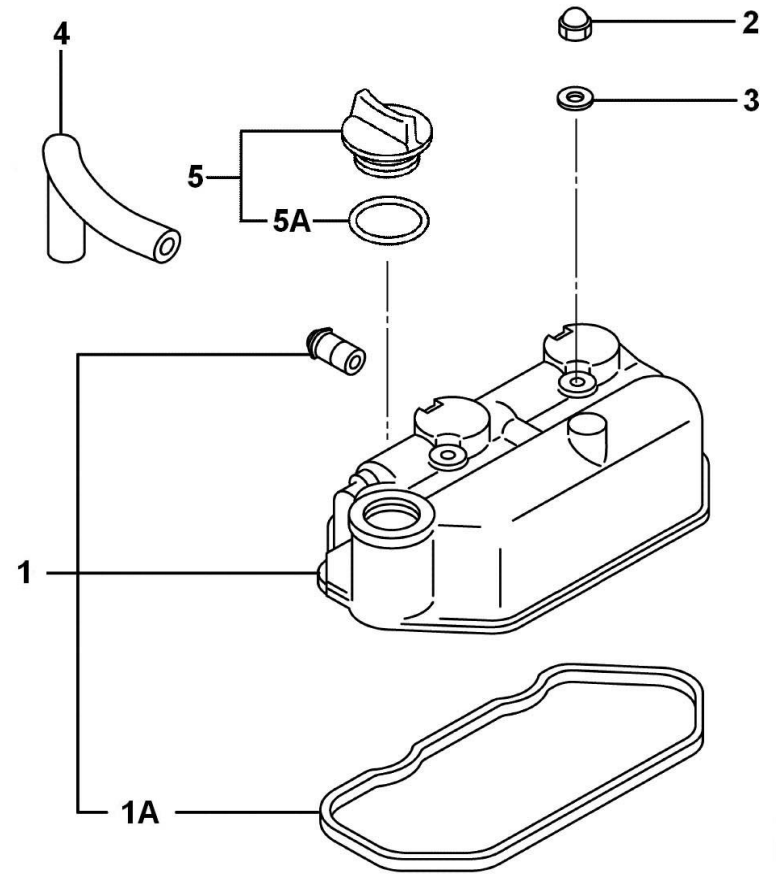
Pipe Rubber Set, water line 4 V.
Repair Kit Water Pump 1/2"
Repair Kit Water Pump 1/2"
Special Tools

D_GA01_1_1		Cylinder Head				
FIG.	REF.	QTY	DESCR.	FROM	UPTO	
1	13821011	2	HANGER Engine			
2	13821001G	1	Cylinder Head [NP]			
2A	13520013	1	Cap,Sealling			
2B	13821012	2	Cap			
2C	13721002	4	Guide Valve			
2F	(*)	5	Not available [NP]			
3	13821011G	1	Gasket Cylinder Head			
4	13821005	6	Bolt,cylinder head			
5	13821013	2	Bolt,cylinder head			
6	17821012	2	Bolt,W/Washer			
7	17820011	1	Plug, Tapered			

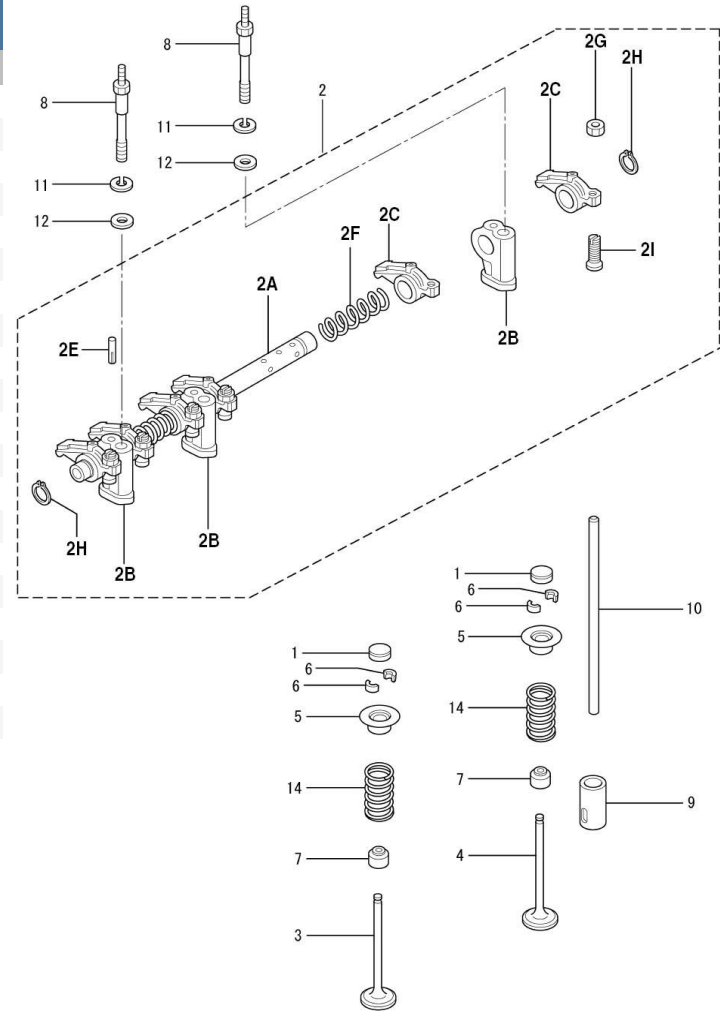


[NP] Not provided

D_GA01_1_2		Rocker Cover & Breather				
FIG.	REF.	QTY	DESCR.	FROM	UPTO	
1	13821009G	1	Cover Assy, Rocker			
1A	13821010	1	Gasket Rocker Cover			
2	13821018	2	Nut			
3	51030006	2	Washer DIN 125-6			
4	13821006	1	Hose BREATHER			
5	13521003	1	Cap Oil FILLER		30/01/2020	
5	17621003.5	1	Cap Oil FILLER	05/02/2020		
5A	13721007	1	O-Ring D. 30X3			

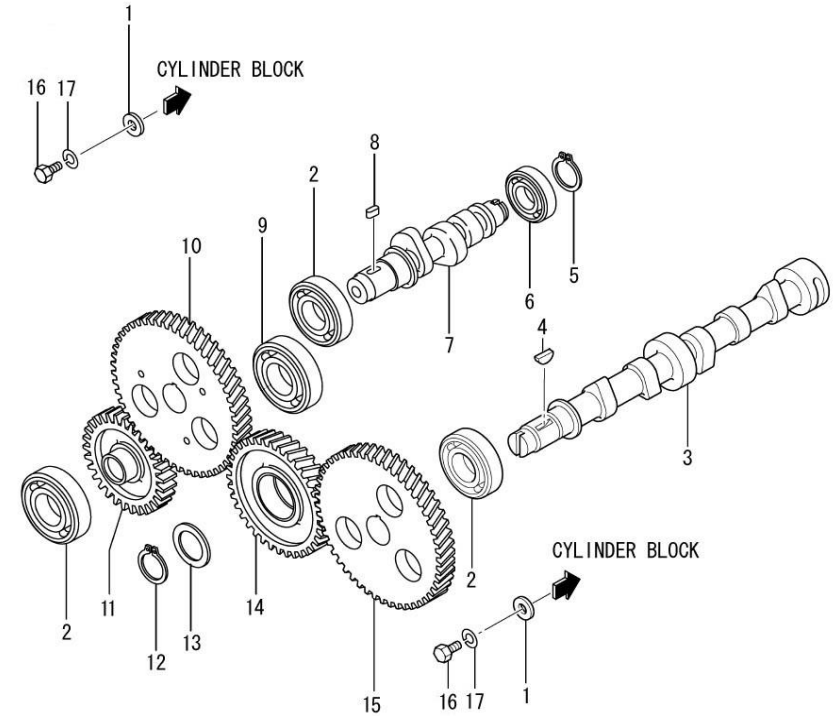


D_GA01_1_3		Valve Drive			
FIG.	REF.	QTY	DESCR.	FROM	UPTO
1	13822069	4	Cap Stem		
2	(*)	1	Not available [NP]		
2A	13822046	1	Shaft Assy,Rocker		
2B	13722048	2	Rocker Shaft Support		
2C	13822042	4	ARM Rocker		
2E	13822070	1	Pin GROOVED		
2F	13722047	1	Spring Rocker SHAFT		
2G	13820006	4	Nut		
2H	53040012	2	CIRclip DIN 471 E-12		
2I	13822044	4	Screw Adjusting		
3	13822055	2	Intake Valve		
4	13822056	2	Exhaust Valve		
5	13822058	4	Retainer Valve SP		
6	13222059	8	Lock Valve		
7	13222054	4	Seal Valve Stem		
8	13822053	2	Bolt Rocker STAY		
9	13822061	4	Tappet		
10	13822041	4	ROD PUSH		
11	53033008	2	Washer GROWER DIN 127-8		
12	51030008	2	Washer DIN 125-8		
14	13822057.1	4	Spring,Valve		



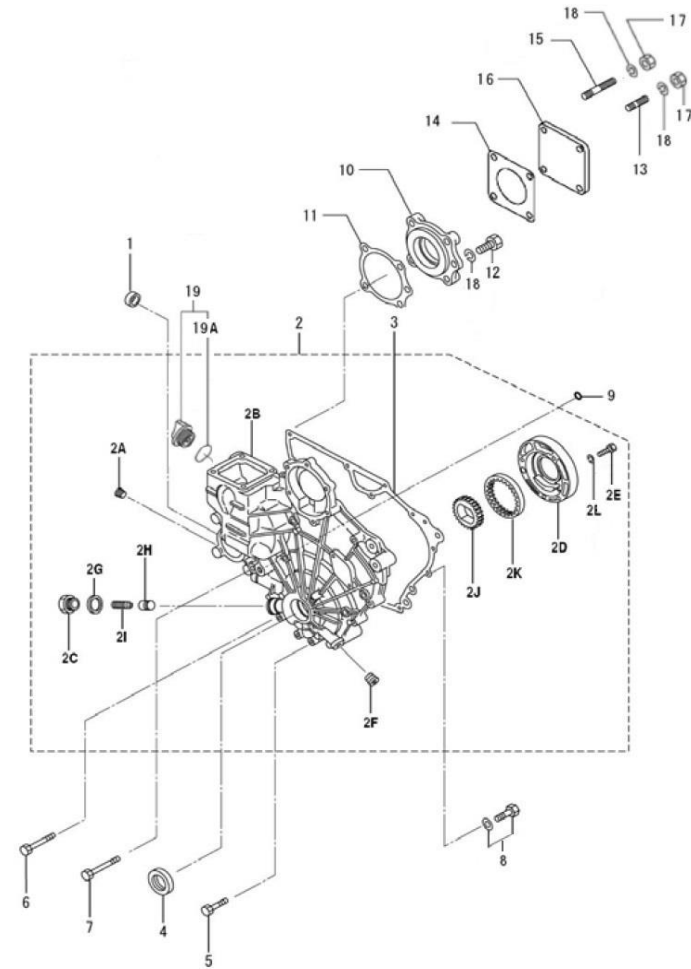
[NP] Not provided

D_GA01_1_4		Timing Parts				
FIG.	REF.	QTY	DESCR.	FROM	UPTO	
1	13822033	1	Washer CamShaft Stop			
2	17622067	1	Bearing,Ball			
3	13822035.4	1	CamShaft			
4	17622036	1	KEY			
5	53040016	1	CIRclip DIN 471 E-16			
6	13822068	1	Ball Bearing 6003			
7	13822040	1	Shaft Fuel Injection Pump			
8	17622060.4	1	Key, Sunk			
9	13822066G	1	Ball Bearing [NP]			
10	13822043	1	Gear,Fuel INJ.Pump Z=52			
11	13922065G	1	Gear Oil Pump			
12	53040020	1	CIRclip DIN 471 E-20			
13	13822034	1	Plate DISTANCE			
14	13822038	1	Gear Assy,IDLER Z=40			
15	13822037	1	Gear,CamShaft Z=52			
16	52102155	2	Bolt DIN 933 M6-12 8.8			
17	53033006	2	Washer GROWER DIN 127-6			

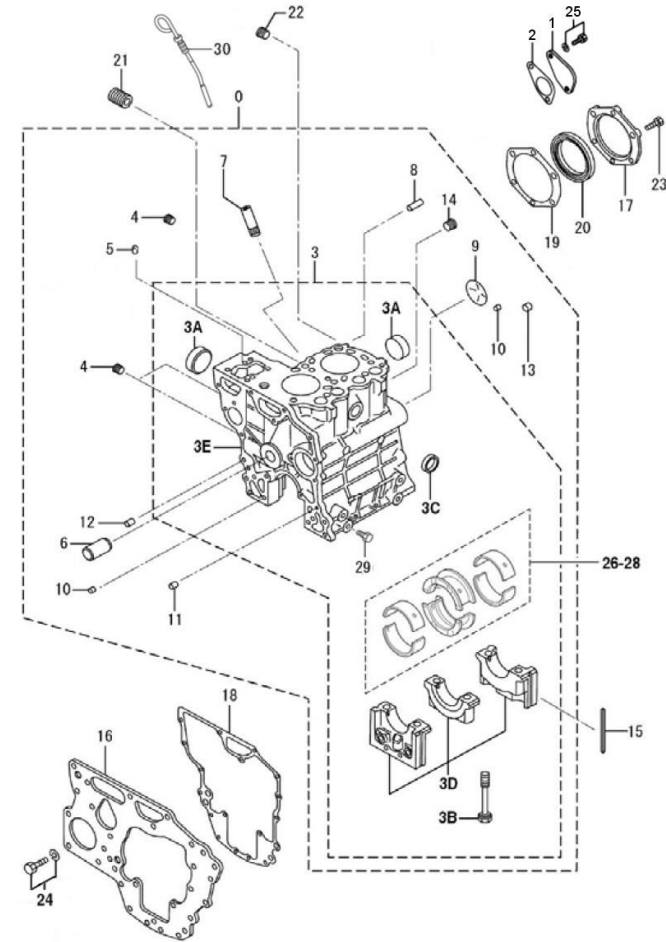


[NP] Not provided

D_GA01_1_5		Gear Case			
FIG.	REF.	QTY	DESCR.	FROM	UPTO
1	13820045	1	Cap Sealling (20)		
2	13820035	1	Case Gear		
2A	13821012G	1	Conical Plug		
2B	(*)	1	Not available [NP]		
2C	13224045	1	Plug		
2D	13820052	1	Housing Oil Pump		
2E	52101159	3	Bolt DIN 931 M6-30 8.8		
2F	13820023	1	Plug TAPER		
2G	56000077	1	Washer 18-23-1,5		
2H	13224043	1	Plunger		
2I	13824044	1	Spring RELIEF		
2J	13820050	1	Gear Oil Pump INN		
2K	13820051	1	Gear Oil Pump OUT		
2L	53033006	3	Washer GROWER DIN 127-6		
3	13820040	1	Gasket Gear Case		
4	13820039	1	Oil Seal		
5	52102160	3	Bolt DIN 933 M6-35 8.8		
6	52102164	4	Bolt DIN 933 M6-55 8.8		
7	52101166	1	Bolt DIN 931 M6-65 8.8		
8	13802156	4	Bolt		
9	13820044	2	O-Ring D. 11X2,5		
10	13820037	1	Housing Pump Gear		
11	13820038	1	Gasket Housing		
12	52102258	1	Bolt DIN 933 M8-25 8.8		
13	13220043	1	Stud L 34		
14	13120047	1	Gasket Water Pump		
15	13220042	3	Stud L 54		
16	13120046	1	Cover Oil Pump SH		
17	17120049	4	Nut M8		
18	53033008	5	Washer GROWER DIN 127-8		
19	13521003	1	Cap Oil FILLER		30/01/2020
19	17621003.5	1	Cap Oil FILLER	05/02/2020	[NP] Not provided
19A	13721007	1	O-Ring D. 30X3		

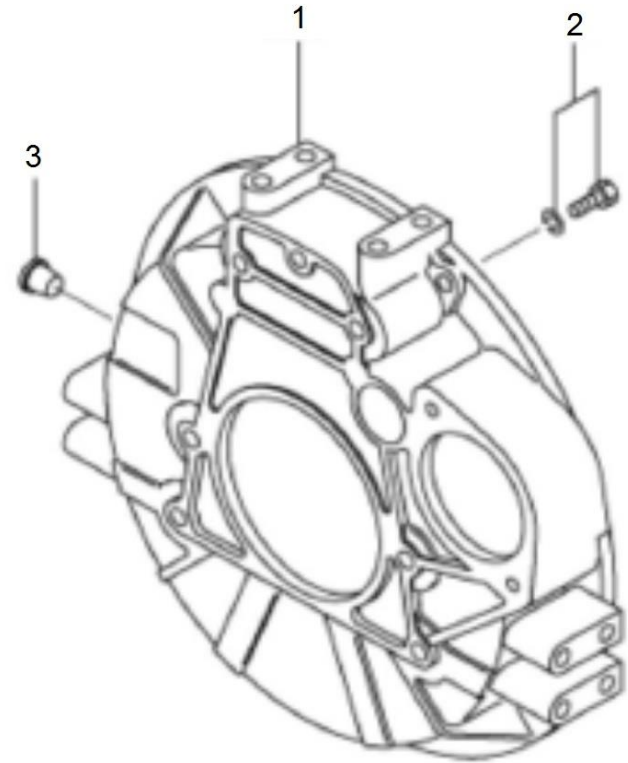


D_GA01_1_6		Crankcase			
FIG.	REF.	QTY	DESCR.	FROM	UPTO
0	13820100G	1	Block Assembly		
1	13820011	1	Cover		
2	17620012.4	1	Gasket Cover		
3	13820001G	1	Crankcase		
3A	13520013	2	Cap,SeallNG		
3B	13820009.1	6	Bolt Bearing Cap		
3C	13220012	1	Cap Sealing		
3D	(*)	2	Not available [NP]		
4	17620013.4	3	Plug Taper 1/16		
5	17620036.4	2	Pin Dowel		
6	13820014	1	Shaft IDLER		
7	13220007	1	Guide		
8	17620020.4	1	Pin		
9	13820013	1	Plug Expansion		
10	17620009.4	2	Bushing		
11	17620021.4	1	Bushing		
12	13220021	2	Bushing KNOCK		
13	13520010	3	KNOCK		
14	13220023	1	Plug TAPER		
15	13820002	4	Seal Side		
16	13820017	1	Plate, Front		
17	13820015	1	Case Oil Seal		
18	13820018	1	Gasket Front Plate		
19	13820016	1	Gasket Oil Seal C		
20	13820008	1	Seal Oil		
21	13124047	1	Shaft Oil Filter		
22	17824003	1	Plug, Tapered		
23	52102157	6	Bolt DIN 933 M6-20 8.8		
24	13802156	7	Bolt		
25	17821012	2	Bolt,W/Washer		
26	13820003	1	Bearing Set CRANK STD		
27	13820004	1	Bearing Set CRANK		
28	13820005	1	Bearing Set CRANK		
29	17620057	4	Bolt		
30	13820029	1	Gauge Oil Level		

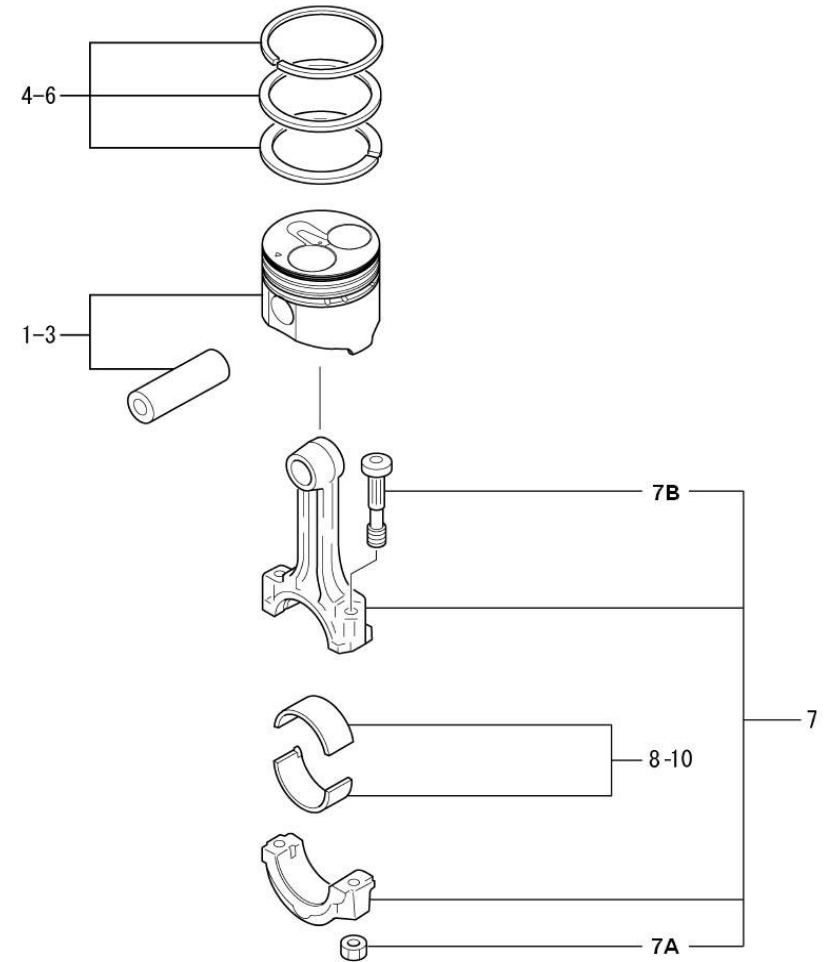


[NP] Not provided

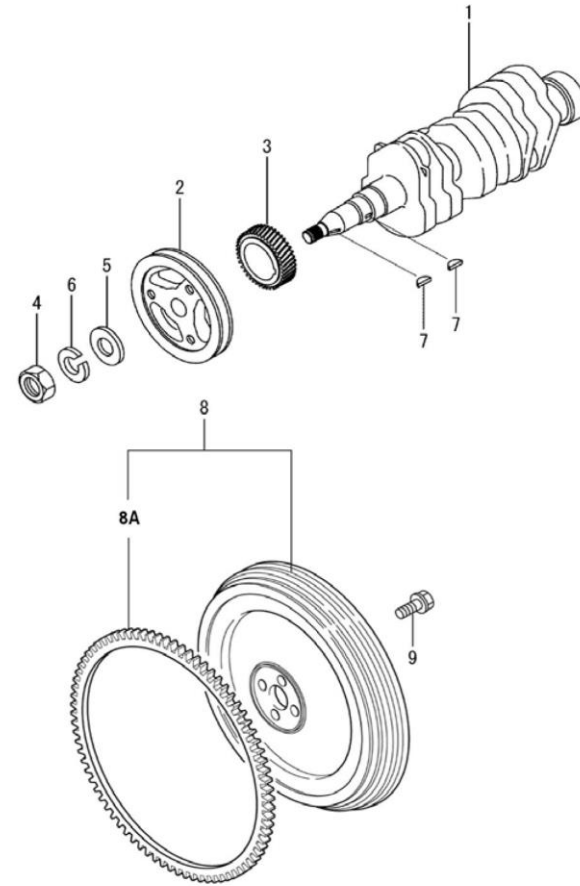
D_GA01_1_7		Rear Plate				
FIG.	REF.	QTY	DESCR.	FROM	UPTO	
1	13820002G	1	FLYWEEL Housing			
2	17327129.2	6	Bolt			
3	13820013G	1	Plug (Generator)			



D_GA01_1_8		Piston & Connecting Rod				
FIG.	REF.	QTY	DESCR.	FROM	UPTO	
1	13822001.1	2	Piston & Pin Set STD.			
2	13822002.1	2	PISTON & Pin SET O.S. 0.25			
2	13822002.2	2	PISTON & Pin SET O.S. 0.25			
3	13822003.1	2	Piston & Pin Set O.S. 0.50			
4	13822006	2	Ring Set,Piston STD.			
5	13822007	2	Ring Set,Piston O.S. 0.25			
6	13822008	2	Ring Set,Piston O.S. 0.50			
7	13822012.3	2	Rod Assy (21)			
7A	13222011	4	Nut,connecting rod			
7B	13222013	4	Bolt,connecting rod			
8	13822014	2	Bearing Set,CON-ROD STD.			
9	13822015	2	Bearing Set,Con-Rod U.S. 0.25			
10	13822016	2	Bearing Set,Con-Rod U.S. 0.50			

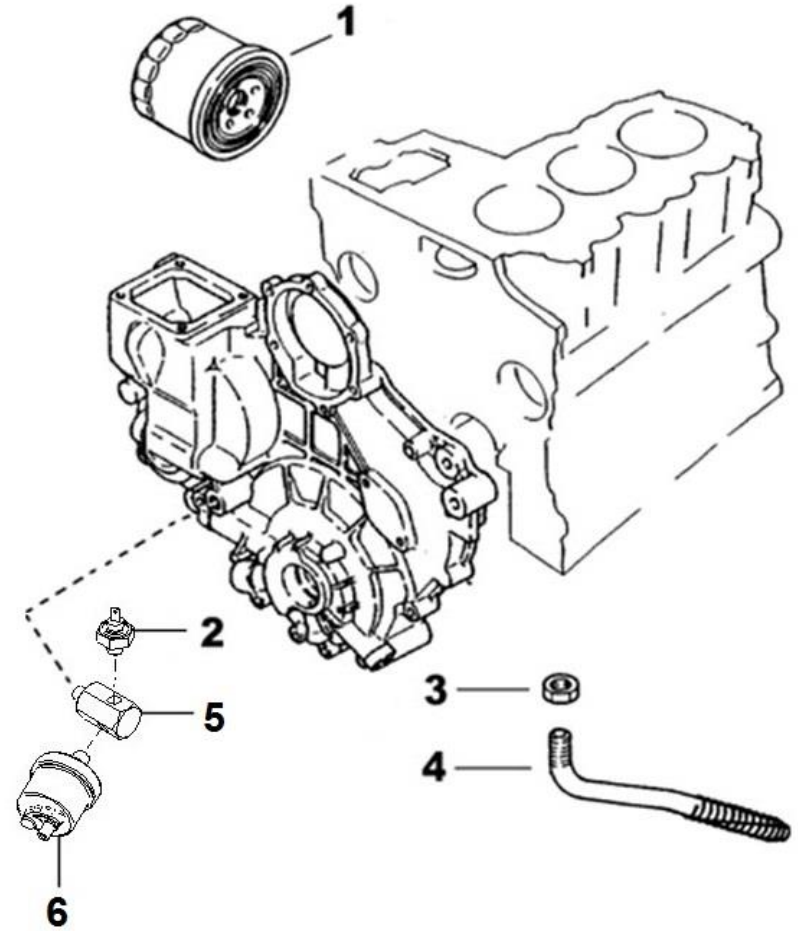


D_GA01_1_9		Crankshaft & Flywheel				
FIG.	REF.	QTY	DESCR.	FROM	UPTO	
1	13822018	1	CrankShaft			
2	13822024	1	Pulley CrankShaft			
3	13822021	1	Gear CrankShaft Z=26			
4	13822026	1	Nut			
5	51030016	1	Washer DIN 125-16			
6	53033016C	1	Washer			
7	17622036	2	KEY			
8	13822027.3	1	Flywheel Assy			
8A	13722029	1	Gear Ring Z=106 [NP]			
9	13822031.4	4	Bolt Flywheel			

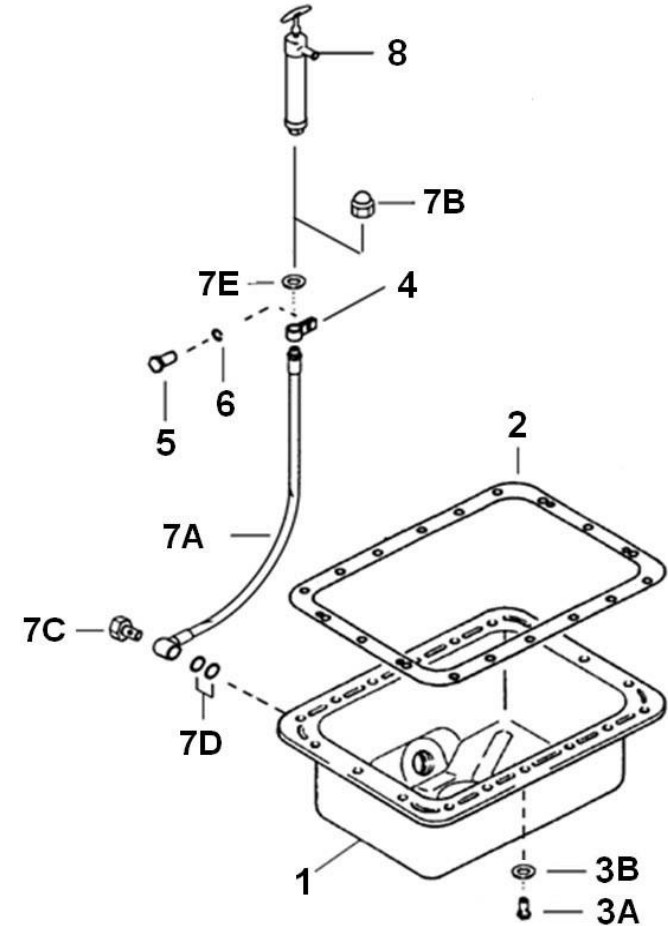


[NP] Not provided

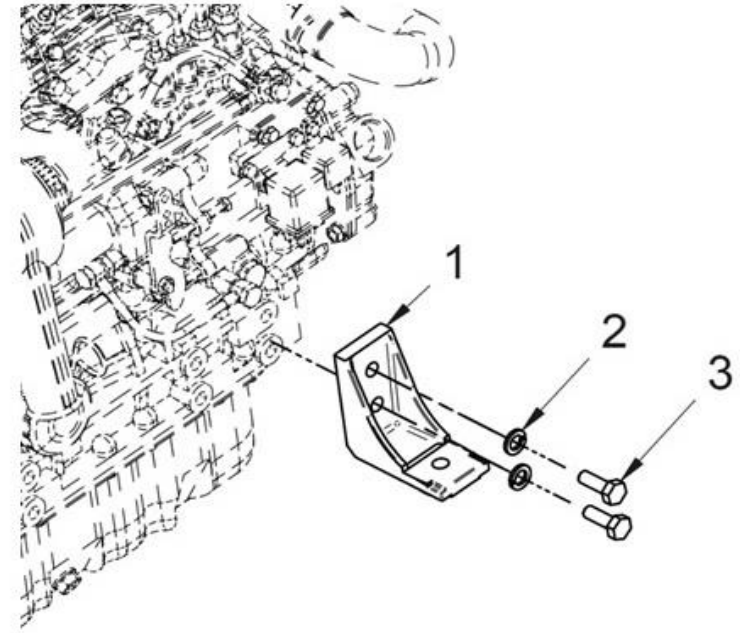
D_GA01_1_10		Oil System				
FIG.	REF.	QTY	DESCR.	FROM	UPTO	
1	13124051	1	Oil Filter Element from MINI 11 to 55			
2	13824060	1	SWITCH Assy			
3	51221014	1	Nut DIN 936 M14X1,5 5.6 ZINC			
4	13824052	1	SCREEN Assy Oil			
5	13817051	1	Sender Holder			
6	60900985	1	Pressure Sensor			



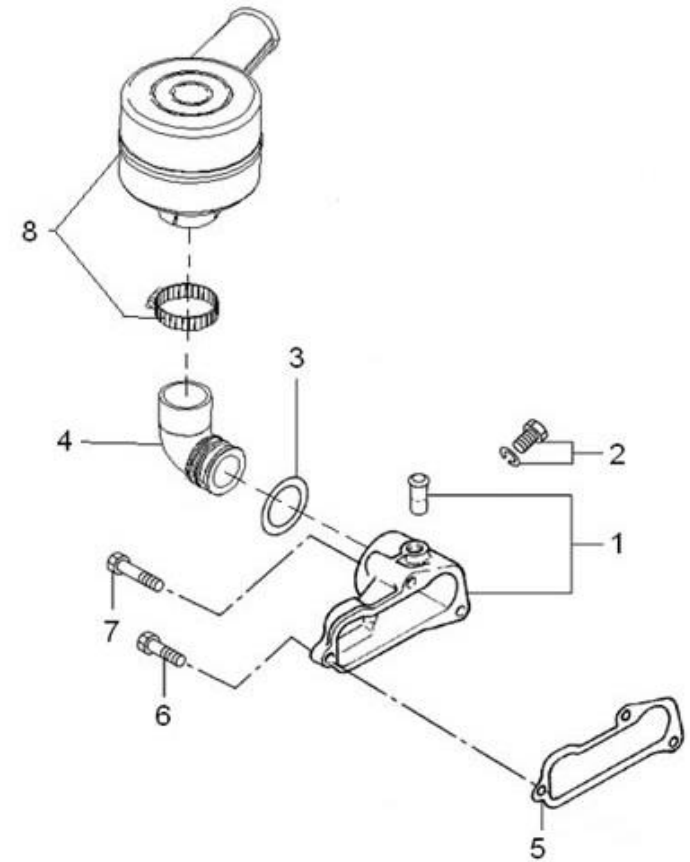
D_GA01_1_11		Oil Pan				
FIG.	REF.	QTY	DESCR.	FROM	UPTO	
1	13820030	1	PAN Assy Oil			
2	13820033.4	1	Gasket Oil PAN			
3A	52102155	14	Bolt DIN 933 M6-12 8.8			
3B	53033006	14	Washer GROWER DIN 127-6			
4	17214022	1	Bracket, Pipe			
5	52202307	1	Bolt DIN 933 M10-1,25-20 8.8			
6	51030012	1	Washer DIN 125-12			
7	13214021REC	1	ExtraCTION,Hose			
7A	13214021	1	ExtraCTION Hose			
7B	16514020	1	Plug			
7C	16514022	1	Coupling,screw 18x150			
7D	56000077	2	Washer 18-23-1,5			
7E	56000217	1	Washer 13-20-3			
8	14714001	1	Oil Extraction Pump			



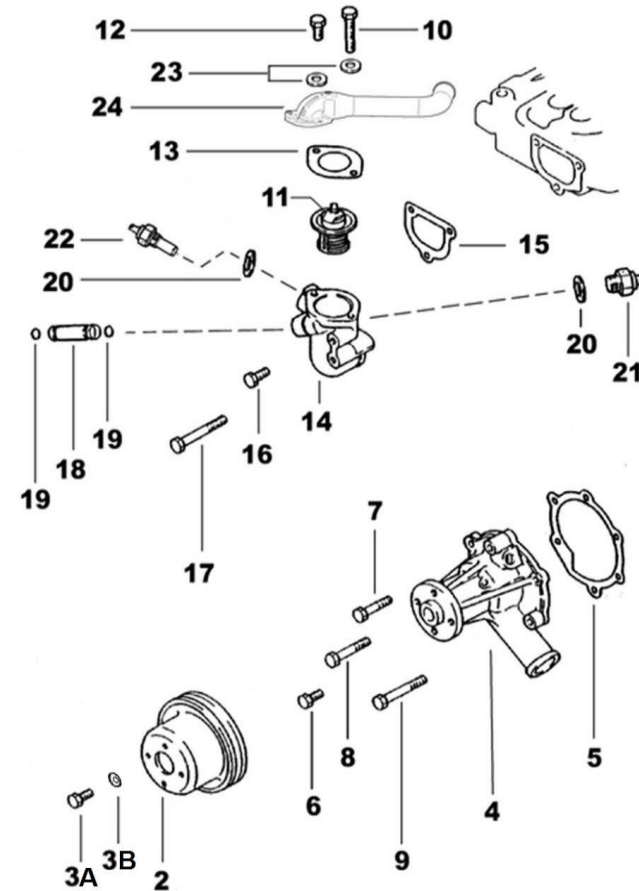
D_GA01_1_12		Engine Brackets				
FIG.	REF.	QTY	DESCR.	FROM	UPTO	
1A	13810038	1	Support			
1B	13810039	1	Support			
2	52203308	4	Bolt DIN 912 M10-1,25-25 12.9 Blued			
3	53033010	4	Washer GROWER DIN 127-10			



D_GA01_2_1		Inlet				
FIG.	REF.	QTY	DESCR.	FROM	UPTO	
1	13821030G	1	Cover Assy Intake			
2	13821033.1	1	Bolt,W/Washer			
3	13821042	1	O-Ring D. 40X3,5			
4	13821029	1	Pipe Intake			
5	13821032.4	1	Gasket Intake COV			
5	13821043	1	Gasket Intake COV			
6	52102157	1	Bolt DIN 933 M6-20 8.8			
7	52101162	2	Bolt DIN 931 M6-45 8.8			
8	13810074	1	Air Filter	15/02/2017		
8	17610012	1	Air Filter Assy without filter element		14/02/2017	

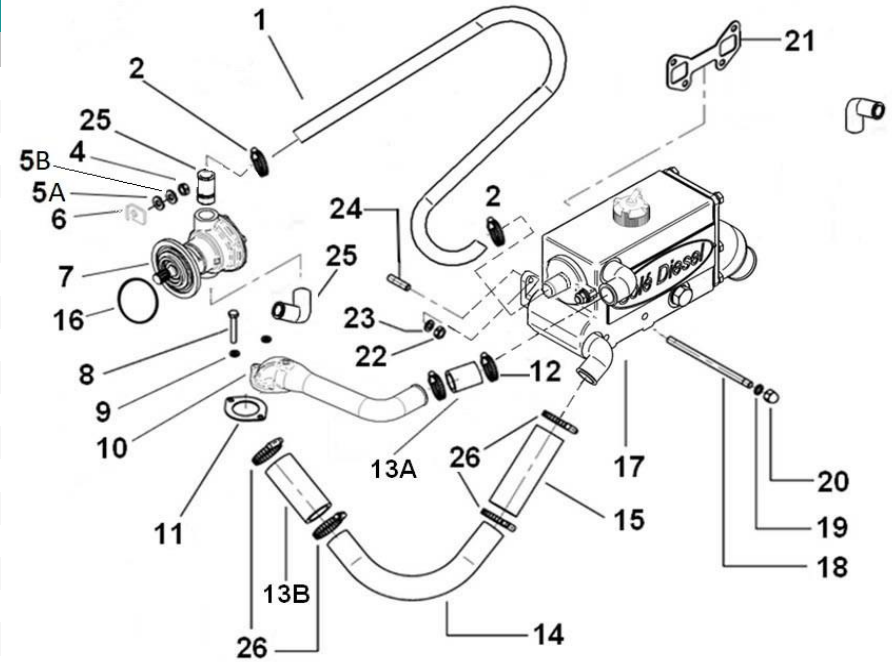


D_GA01_3_1		Water Pump				
FIG.	REF.	QTY	DESCR.	FROM	UPTO	
2	13921021	1	Pulley Water Pump			
3A	52102155	4	Bolt DIN 933 M6-12 8.8			
3B	53033006	4	Washer GROWER DIN 127-6			
4	13821020	1	Fresh Water Pump			
5	13821022	1	Gasket Water Pump			
7	52102160	1	Bolt DIN 933 M6-35 8.8			
8	52101162	1	Bolt DIN 931 M6-45 8.8			
9	52102164	2	Bolt DIN 933 M6-55 8.8			
10	52101163	1	Bolt DIN 931 M6-50 8.8			
11	13821027	1	Thermostat 71°			
12	52102157	3	Bolt DIN 933 M6-20 8.8			
13	13821031	1	Gasket Water OutL			
14	13821037.1	1	FITTING Thermostat New			
15	17621033.4	1	Gasket Thermostat	27/03/2018	25/03/2020	
16	13802158	2	Bolt M6x22			
17	52101165	1	Bolt DIN 931 M6-60 8.8			
18	17621026.4	1	Pipe BYPASS			
19	13821038	2	O-Ring D. 9X2			
20	56000073	2	Copper Washer 16-23-1,5			
21	60900070	2	Thermo-Switch 97°C			
22	60900980	1	Temperature Sensor			
23	51030006	2	Washer DIN 125-6			
24	13811020.1	1	Cover			





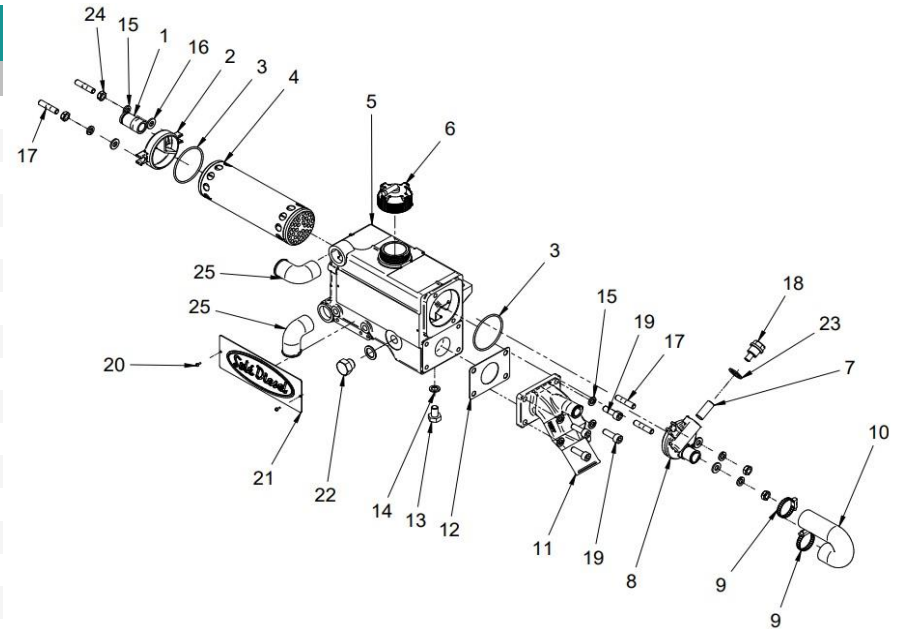
D_MIA1_3_4		Cooler Pipes				
FIG.	REF.	QTY	DESCR.	FROM	UPTO	
1	M87501927	0,7	Water Intake Hose (HQ) D. 19-27			
2	54081020	2	Clamp DIN 3017 20-32/9 W4			
4	17120049	4	Nut M8			
5A	51030008	4	Washer DIN 125-8			
5B	53033008	4	Washer GROWER DIN 127-8			
6	13811062	4	Pump Bracket			
7	37611000	1	Splined Pump 1/2" MINI-11/17/29/33/44			
8	52101163	1	Bolt DIN 931 M6-50 8.8			
9	53033006	2	Washer GROWER DIN 127-6			
10	13811020.1	1	Cover			
11	13821031	1	Gasket Water OutL			
12	54081025	2	Clamp DIN 3017 25-40/9 W4			
13A	13811017.1	1	Pipe 28-38-50			
13B	13811017	1	Pipe 28-38-80			
14	13811023	1	Elbow			
15	13811022	1	SLEEVE Rubber			
16	17011007	1	O-Ring D. 57X3			
17	13811000.3R	1	Water Cooler Assy MINI-17 (Spare Part) [NP]		04/02/2020	
18	13811018	2	Manifold, mounting stud			
19	56000057	2	Washer 8-13-1,5			
20	55122008	2	Nut DIN 1587 M8			
21	13821035	1	Gasket Exhaust Manifold			
22	54120008	1	Nut DIN 934 M8			
23	53038008	1	Washer DIN 6798-A 8			
24	14711008	2	Stud, cover			
25	13211035	1	Exhaust Manifold Outlet Bend			
26	54082025	4	Clamp DIN 3017 25-40/12 W4			
27	13811033	1	Raccord 1/2"			



[NP] Not provided

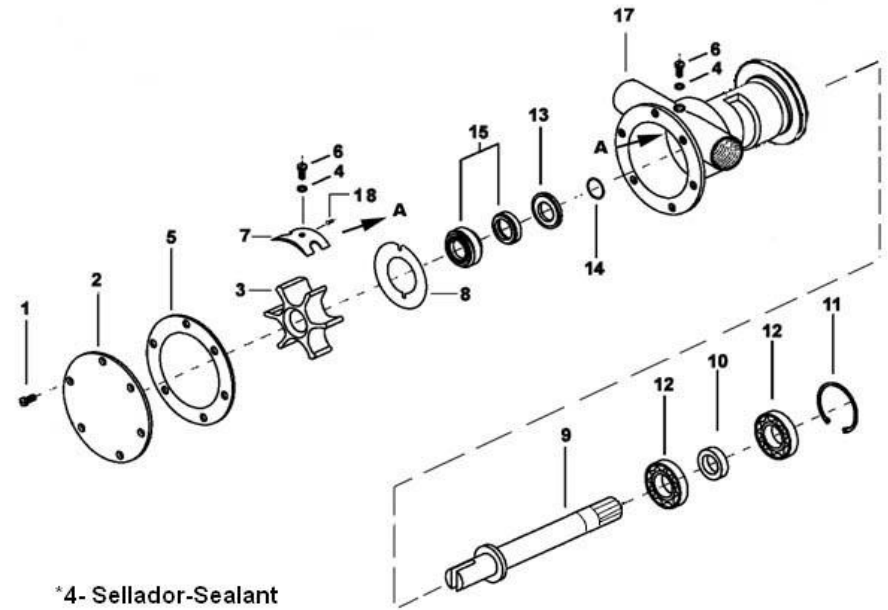


D_13811000.3REC Water Cooler Assy MINI-17						
FIG.	REF.	QTY	DESCR.	FROM	UPTO	
1	13211031	1	Raccord 1/2"			
2	13811002	1	Water Cooler Cover			
3	13811007	2	O-Ring D. 57X2,5			
4	13811047	1	Tubular Bundle			
5	13811046	1	Body, Water Cooler			
5	13811046F	1	Body, cooler [NP]			
6	13811010	1	Cap			
7	13811043	1	Engine Anode 29.5 mm M.8			
8	13811042	1	Water Cooler Cover			
9	54081016	2	Clamp DIN 3017 16-27/9 W4			
9	54081020	2	Clamp DIN 3017 20-32/9 W4			
10	13811032	1	Elbow			
11	13813015.1	1	Elbow,wet exhaust			
11	13813026	1	Elbow,WET Exhaust			
11	13813026.1	1	Elbow,WET Exhaust			
12	17613014	1	Gasket			
13	54102306	1	Bolt DIN 933 M10-16 INOX.			
14	56000061	1	Washer 10-16-1,5			
15	53033008	8	Washer GROWER DIN 127-8			
16	51030008	4	Washer DIN 125-8			
17	13311006	4	Stud,cover			
18	18011009	1	Anode Plug			
19	52102258	4	Bolt DIN 933 M8-25 8.8			
19	52103258	4	Bolt DIN 912 M8-25 8.8			
20	17111061	2	Bolt			
21	17111060	1	Plate "SOLE Diesel"			
22	12111076	1	Plug			
23	56000073	2	Copper Washer 16-23-1,5			
24	54120008	4	Nut DIN 934 M8			
25	13811011	2	Hose 3/4			



[NP] Not provided

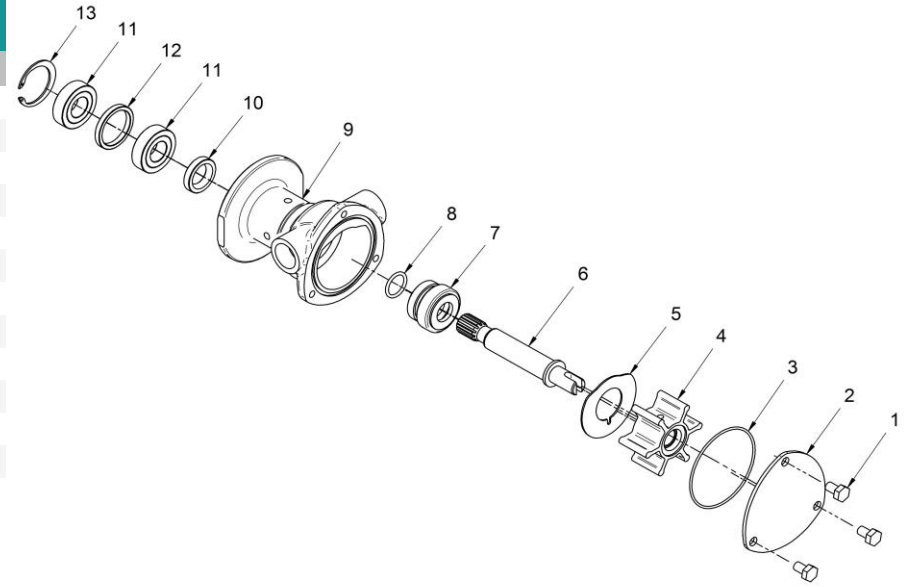
33811000		1/2" Pump Water, Set			
FIG.	REF.	QTY	DESCR.	FROM	UPTO
1	54102104	6	Bolt DIN 933 M5-10 INOX.		
2	31211002	1	Cover Pump		
3	31211008	1	1/2" Impeller		
5	31211003	1	Gasket Cover		
6	55307105	1	Bolt DIN 86 W3/16-13		
7	31211005	1	Cam		
8	33411026	1	Wearplate		
9	33811010	1	Shaft,Water Pump		
10	33811015	1	Spacer		
11	53041032	1	CIRClip DIN 472 I-32		
12	33411014	2	Ball Bearing 6002-C3		
13	33411020	1	Seal		
14	33311013	1	O-Ring D. 15X2		
15	33411019	1	Seal		
17	33811001	1	Body,Water Pump [NP]		
18	33411017	1	Pin,Dowel		



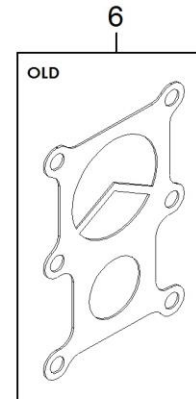
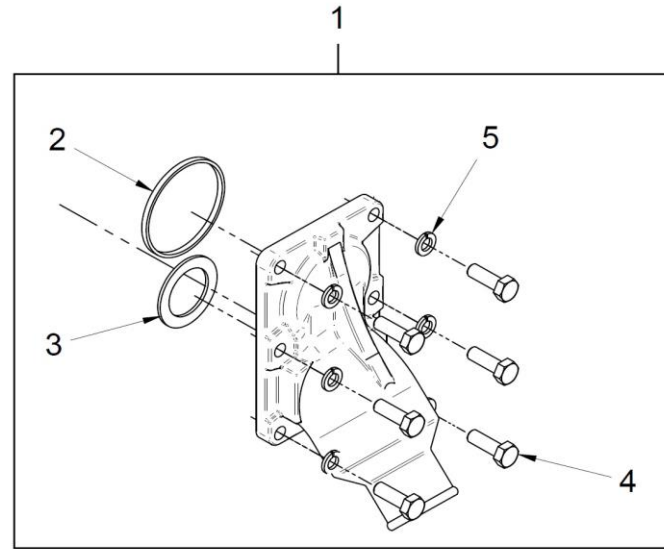
[NP] Not provided



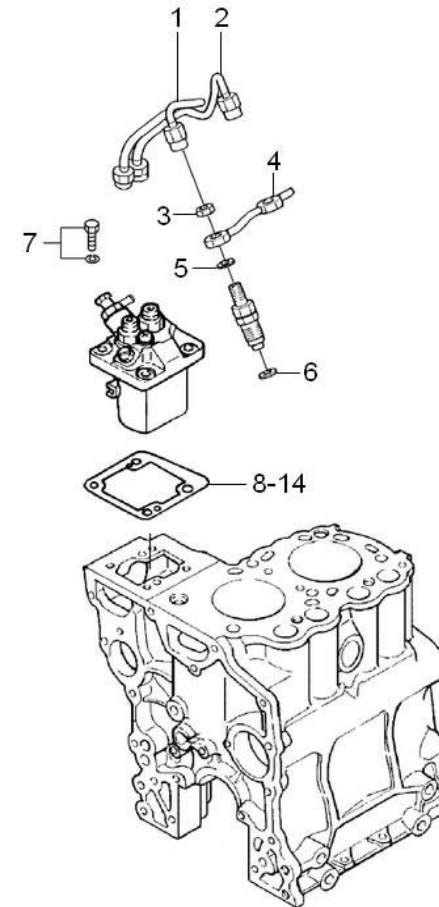
37611000		Splined Pump 1/2" MINI-11/17/29/33/44			
FIG.	REF.	QTY	DESCR.	FROM	UPTO
1	54102154	3	Bolt DIN 933 M6-10 INOX		
2	37611002	1	Cover Pump		
3	37611003	1	O-Ring D. 57x1,5		01/06/2022
4	31211008	1	1/2" Impeller		
5	37611026	1	Plate, Friction		
6	33811010	1	Shaft, Water Pump		
7	33411019	1	Seal		
8	33311013	1	O-Ring D. 15X2		
9	37611001	1	Body, Water Pump 1/2"		
10	33411020	1	Seal		
11	33411014	2	Ball Bearing 6002-C3		
12	33811015	1	Spacer		
13	53041032	1	CIRClip DIN 472 I-32		



D_MIA1_3_5.1		Wet Exhaust				
FIG.	REF.	QTY	DESCR.	FROM	UPTO	
1	13813015CR	1	Elbow wet exhaust Pack	21/08/2015	05/06/2017	
2	13811008	1	Joint EPDM D. 58,2x62x3,5		28/04/2020	
3	13811009	1	Joint NOVAPHIT E D. 31x45x2			
4	52102257	6	Bolt DIN 933 M8-20 8.8			
5	53033008	6	Washer GROWER DIN 127-8			
6	13813016.1	1	Gasket	04/08/2017		
6	13813027	1	Gasket		04/08/2017	

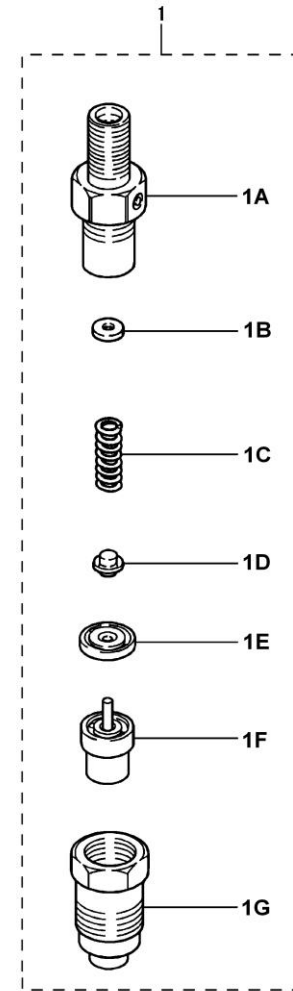


D_GA01_4_1 Fuel Pipe						
FIG.	REF.	QTY	DESCR.	FROM	UPTO	
1	13824015.1	1	Pipe Injection N.1			
2	13824016.1	1	Pipe Injection N.2			
3	13824024	2	Nut			
4	13824026	1	Tube gasoil SPILL			
5	17424025G.1	2	Gasket Fuel Return (Genset)			
6	13824013	2	Injector Washer			
7	17624027	4	Bolt			
8	13824006	0	Shim Adjusting T=0,4MM. [VAR]			
9	13824007	0	Shim Adjusting T=0,6MM. [VAR]			
10	13824008	0	Shim Adjusting T=0,7MM. [VAR]			
11	13824009	0	Shim Adjusting T=0,8MM. [VAR]			
12	13824010	0 </td <td>Shim Adjusting T=0,9MM. [VAR]</td> <td></td> <td></td> <td></td>	Shim Adjusting T=0,9MM. [VAR]			
13	13824011	0	Shim Adjusting T=1,0MM. [VAR]			
14	13824003	0	Shim Adjusting T=0,2MM. [VAR]			



[VAR] Variable according to repair

D_GA01_4_2		Injection Nozzle				
FIG.	REF.	QTY	DESCR.	FROM	UPTO	
1	13826001	2	Nozzle & Holder A			
1A	13826002	2	Body Assy			
1BA	13826010	0	Washer 1,25 [VAR]			
1BB	13821029	0	Pipe Intake [VAR]			
1BC	13826012	0	Washer 1,35 [VAR]			
1BD	13826013	0	Washer 1,40 [VAR]			
1BE	13826014	0	Washer 1,45 [NP] [VAR]			
1BF	13826015	0	Washer 1,50 [VAR]			
1BG	13826016	0	Washer 1,55 [VAR]			
1BH	13826017	0	Washer 1,60 [VAR]			
1BI	13826019	0	Washer 1,65 [VAR]			
1BJ	13826020	0	Washer 1,70 [VAR]			
1C	17226004	2	Spring, Pressure [NP]			
1D	13826003	2	Pin Pressure			
1E	13826007	2	PIECE DISTANCE		07/01/2020	
1F	13826018	2	Nozzle Assy			
1G	17226006G	2	Nut			

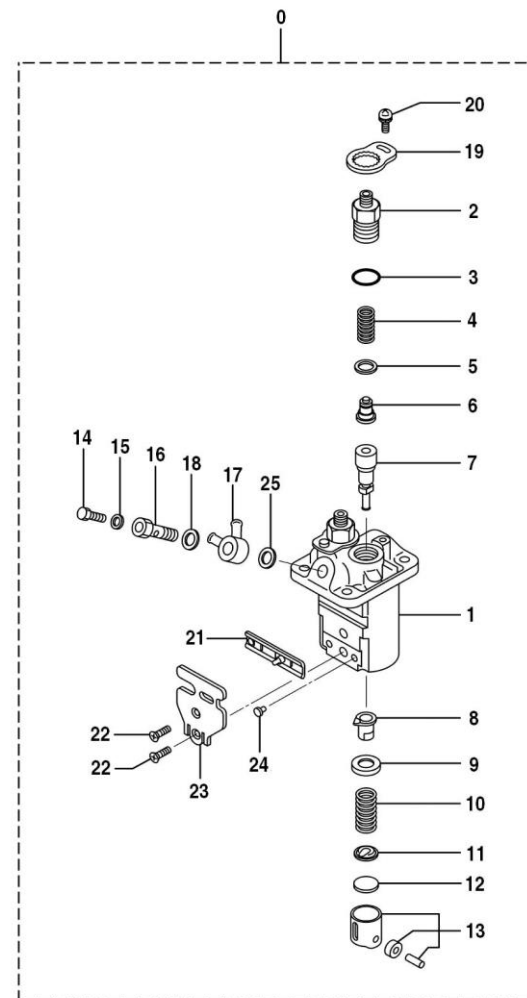


[NP] Not provided

[VAR] Variable according to repair

D_GA01_4_3 Fuel Injection Pump

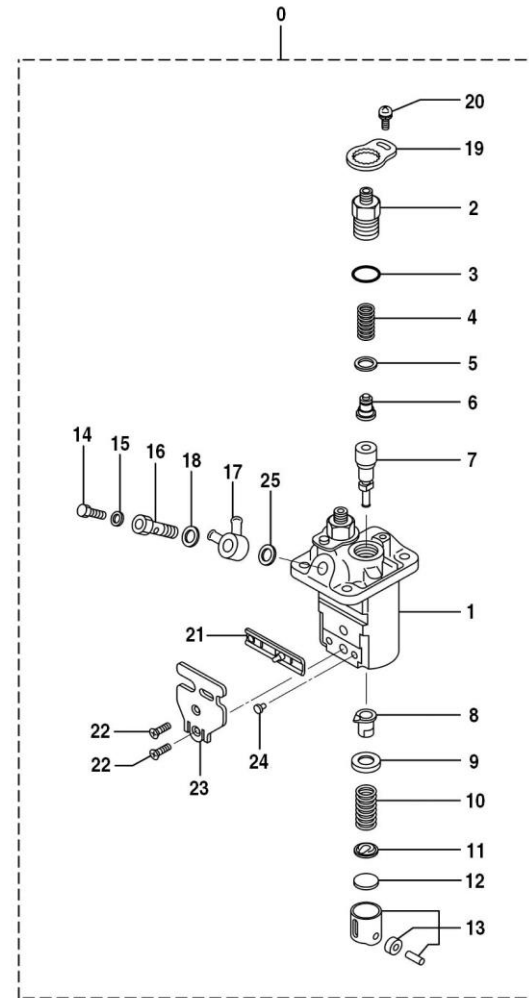
FIG.	REF.	QTY	DESCR.	FROM	UPTO
0	13825001G	1	Pump Assy, Fuel Injection		
1	13825005G	1	Housing Assy		
2	13825004	2	Holder		
3	13825033	2	O-Ring D. 15X1,8		
4	13825002	2	Spring [NP]		
5	13125007	2	Gasket DELIVERY V		
6	13825008.1	2	Valve SUB Assy		
7	13825009	2	Element SUB Assy		
8	13825010	2	SLEEVE SUB Assy		
9	13825011	2	Seat		
10	13825012	2	Spring		
11	13825013	2	Seat		
12A	13925015G	0	Plate Tappet Shim 1,85 [VAR]		
12B	13825016G	0	Plate Tappet Shim 1,90 [VAR]		
12C	13925017G	0	Plate Tappet Shim 1,95 [VAR]		
12D	13925018G	0	Plate Tappet Shim 2,00 [VAR]		
12E	13925019G	0	Plate Tappet Shim 2,05 [VAR]		
12F	13925020G	0	Plate Tappet Shim 2,10 [VAR]		
12G	13925021G	0	Plate Tappet Shim 2,15 [VAR]		
12H	13925022G	0	Plate Tappet Shim 2,20 [VAR]		
12I	13925023G	0	Plate Tappet Shim 2,25 [VAR]		
12J	13925024G	0	Plate Tappet Shim 2,30 [VAR]		
12K	13925025G	0	Plate Tappet Shim 2,35 [VAR]		
12L	13925026G	0	Plate Tappet Shim 2,40 [VAR]		
12M	13925027G	0	Plate Tappet Shim 2,45 [VAR]		
12N	13925028G	0	Plate Tappet Shim 2,50 [VAR]		
13	13825021	2	TAPPET Assy		
14	13825026	1	Screw Air		
15	13825025	1	Washer,DRAIN Screw		
16	13825027	1	Screw HOLLOW		
17	17325029.3	1	Nipple Swivel		
18	13825061	1	Washer		
19	13825030	2	Plate Set		
20	13825028.1	2	Screw,W/Washer [NP]		
21	13825006	1	RACK		



[NP] Not provided

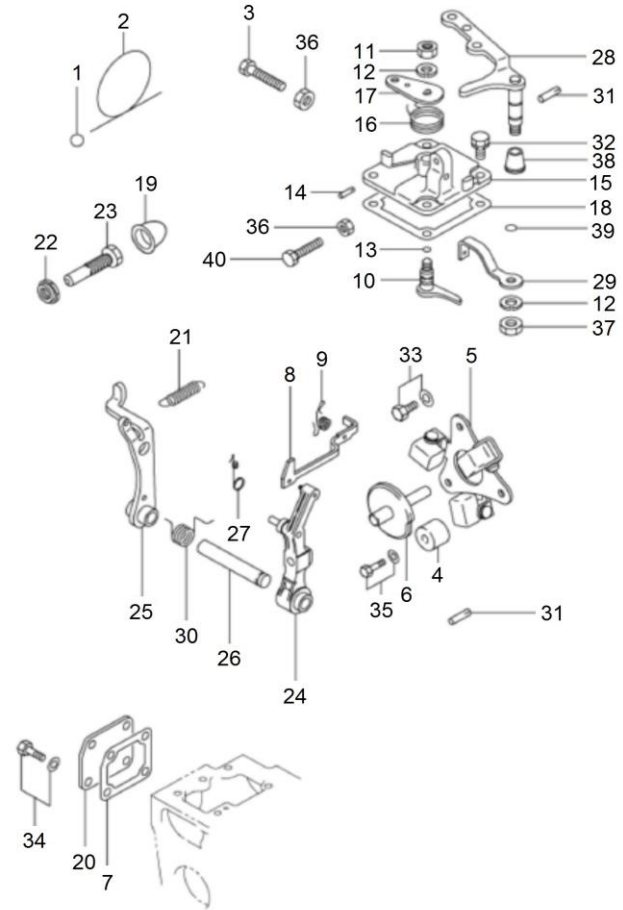
[VAR] Variable according to repair

D_GA01_4_3		Fuel Injection Pump			
FIG.	REF.	QTY	DESCR.	FROM	UPTO
22	13825062	2	Screw		
23	13825063G	1	Bracket,stop		
24	13925034G	2	Pin Tappet Guide		
25	56000205	1	Washer 10-16-3		



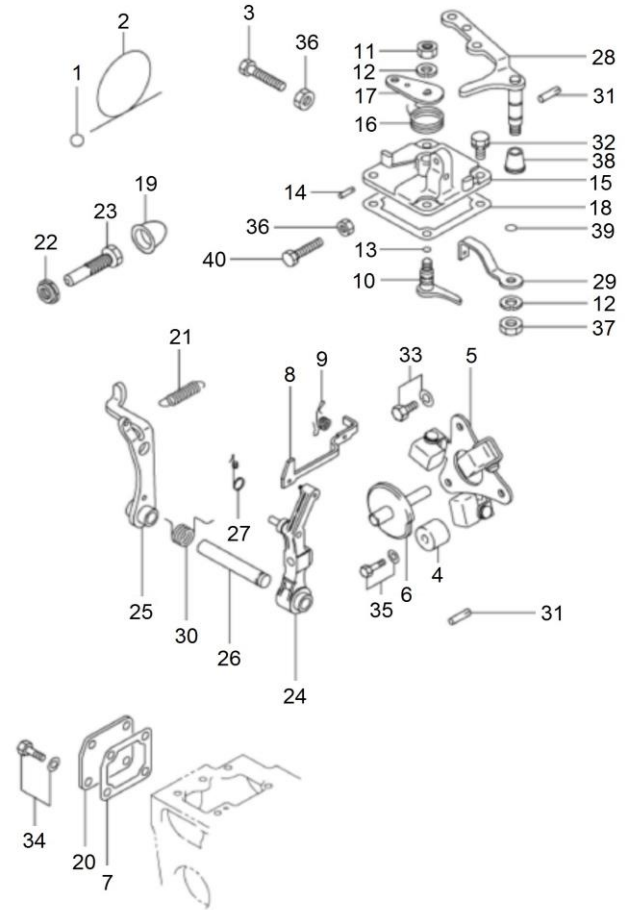


D_GA01_4_4		Governor Parts			
FIG.	REF.	QTY	DESCR.	FROM	UPTO
1	17623020.4	1	Metal,Fuel		
2	13123019	1	Metal Sealing		
3	13123017	1	Bolt High Speed		
4	13723005	1	Stopper		
5	13823001G.1	1	WEIGHT Assy,GOverNOR (Generator)		
6	60530009	1	Shaft Assy,sliding		
7	13823014	1	Gasket Tie Rod CO		
8	13923005	1	ROD TIE		
9	13823028	1	Spring, Tie Rod		
10	13823026	1	Lever Assy Stop		
11	17223030	2	Nut		
12	53033008	2	Washer GROWER DIN 127-8		
13	13123021	2	O-Ring D. 7X1.8		
14	13823031	1	Pin GROOVED (3X14		
15	13923032G	1	Cover,GOverNOR		
16	13823030	1	Spring Return		
17	13823029	1	Lever Stop		
18	13823033	1	Gasket Governor Cover		
19	13823042	1	Cap TORQUE Set SE		
20	13823043	1	Cover TIE ROD		
21	17223044G	1	Spring GOverNOR (Generator)		
22	17223035	1	Nut		
23	13823034	1	RACK Set Screw (new)		
24	13823003	1	Lever Assy Governor		
25	13823007	1	Lever Assy TENSIO		
26	13823006	1	Shaft Governor		
27	13823044	1	Spring TIE ROD		
28	13823008	1	Lever Assy SPEED		
29	13823027	1	Lever Governor SP		
30	13823036	1	Spring START		
31	13823009	2	Pin GROOVED		
32	52102155	4	Bolt DIN 933 M6-12 8.8		
33	13821033.1	2	Bolt,W/Washer		
34	13802156	4	Bolt		
35	13923011G	1	Bolt,W/Washer		



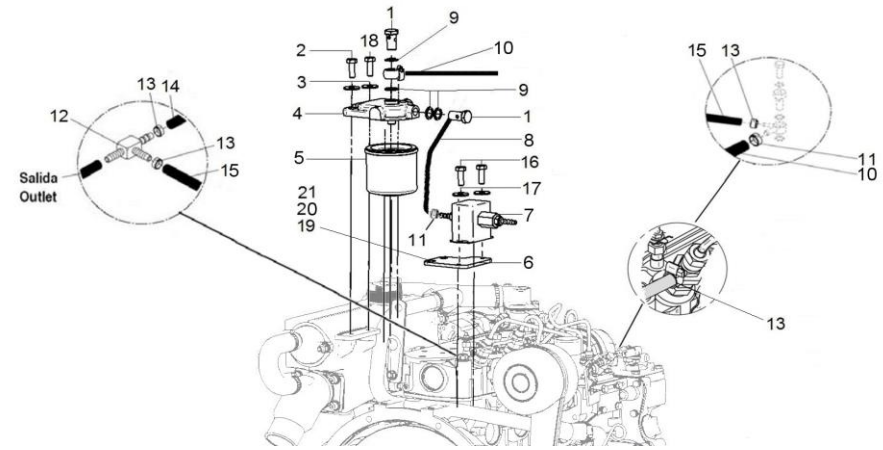


D_GA01_4_4		Governor Parts			
FIG.	REF.	QTY	DESCR.	FROM	UPTO
36	17223032	2	Nut		
38	17623045	1	Cover, Governor Shaft		
40	52102164	1	Bolt DIN 933 M6-55 8.8		



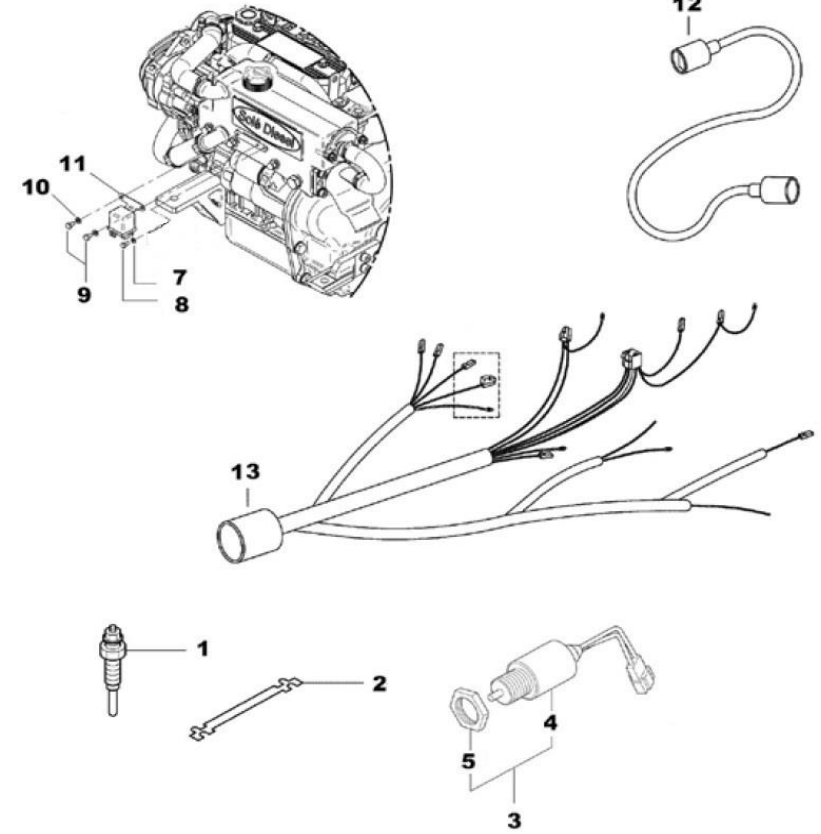


D_GA01_4_5		Fuel Supply Parts			
FIG.	REF.	QTY	DESCR.	FROM	UPTO
1	12814051	2	Screw,eye		
2	52102259	1	Bolt DIN 933 M8-30 8.8		
3	51030008	2	Washer DIN 125-8		
4	13114120	1	Cover,filter f/.SMI		
5	13114022	1	Fuel Filter Element from MINI 10 to 55		
6	60539018	1	Bracket		
7	13814070C	1	Fuel Pump Set 12V		
7A	13814072	2	Straight Hose Connector 1/8" NPTF		
7B	57000361	2	Washer 10-14-1,5		
8	13914015	1	Pipe		
9	57000369	4	Washer 14,2-20-1,5		
10	17614027	1	Hose		
11	51086016	2	ONE EAR Clamp With INTERIOR Ring 14-16,3		
12	17614028	1	Bypass "T"		
13	51086010	4	One Ear Clamp With Interior Ring 10-11,5		
14	17614026	1	0,04 M. Hose		
15	13814020.3	1	0.22 M. Hose		
16	52102154	2	Bolt DIN 933 M6-10 8.8		
17	51030006	2	Washer DIN 125-6		
18	52102258	1	Bolt DIN 933 M8-25 8.8		
19	52202307	1	Bolt DIN 933 M10-1,25-20 8.8		
20	51030010	1	Washer DIN 125-10		
21	53033010	1	Washer GROWER DIN 127-10		



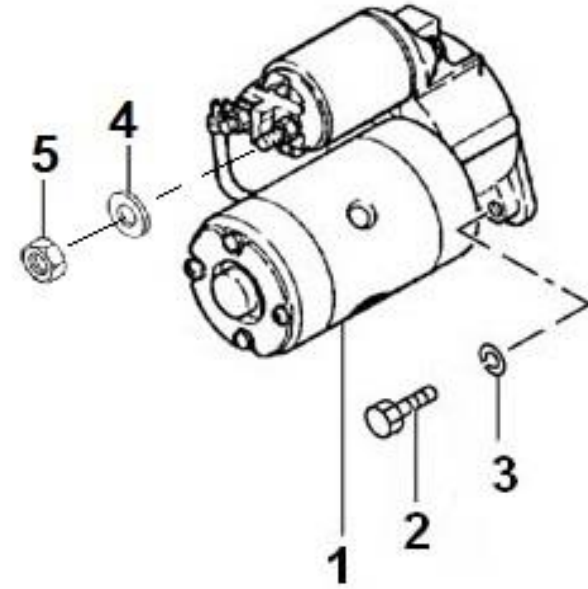


D_GA01_5_5 Electrical Wiring 12V						
FIG.	REF.	QTY	DESCR.	FROM	UPTO	
1	13827017	2	Plug,Glow			
2	13827018	1	Plate Glow Plug			
3	17224025G	1	SOLENOID & Nut Set (Generator)			
4	13824021G	1	Reloy Stop			
5	17225029.4	1	Nut			
7	51030005	1	Washer DIN 125-5			
8	52102104	1	Bolt DIN 933 M5-10 8.8			
9	52102153	2	Bolt DIN 933 M6-8 8.8			
10	51030006	2	Washer DIN 125-6			
11	13827005	1	Glow Relay			
12B	60985210I	0	Genset Wiring Ext. 4 M. CPC [VAR]			
13	60939501.1	1	MINI-26 ETR Electrical Wiring Genset			
NS	60900028	1	Diode 25A. DS-1712A [NS]			

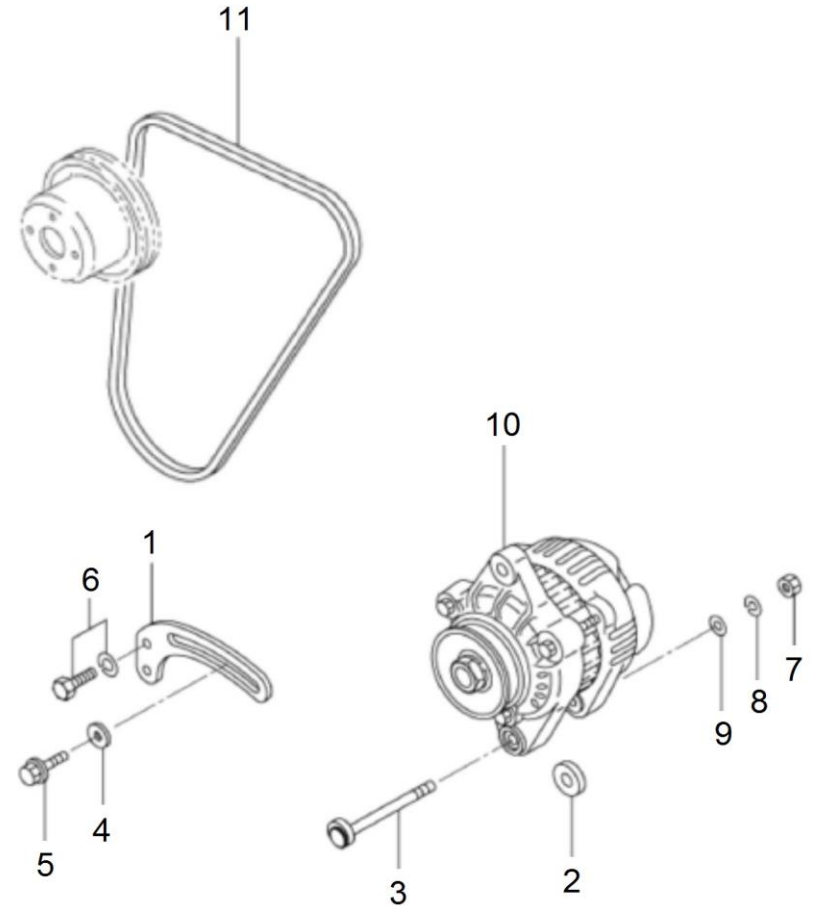


[NS] Not shown
 [VAR] Variable according to repair

D_MIB1_5_5		Starter Assy 12V				
FIG.	REF.	QTY	DESCR.	FROM	UPTO	
1	13827002	1	Starter Assy 12 V			
2	52102259	2	Bolt DIN 933 M8-30 8.8			
3	53033008	2	Washer GROWER DIN 127-8			
4	51030008	1	Washer DIN 125-8			
5	52120008	1	Nut DIN 934 M8 8.8			



D_GA01_5_1		Kit Alternator 12V/40A				
FIG.	REF.	QTY	DESCR.	FROM	UPTO	
1	13817015G	1	Plate			
2	13827006	1	Spacer Generator			
3	13727008	1	Bolt ALT.			
4	51031008	1	Washer DIN 9021 8			
5	13827012	1	Bolt			
6	13802156	1	Bolt			
7	17120049	1	Nut M8			
8	53033008	1	Washer GROWER DIN 127-8			
9	51030008	1	Washer DIN 125-8			
10	13827210	1	Alternator 12V/40A			
11	13821228	1	Belt Type SPZX 900			

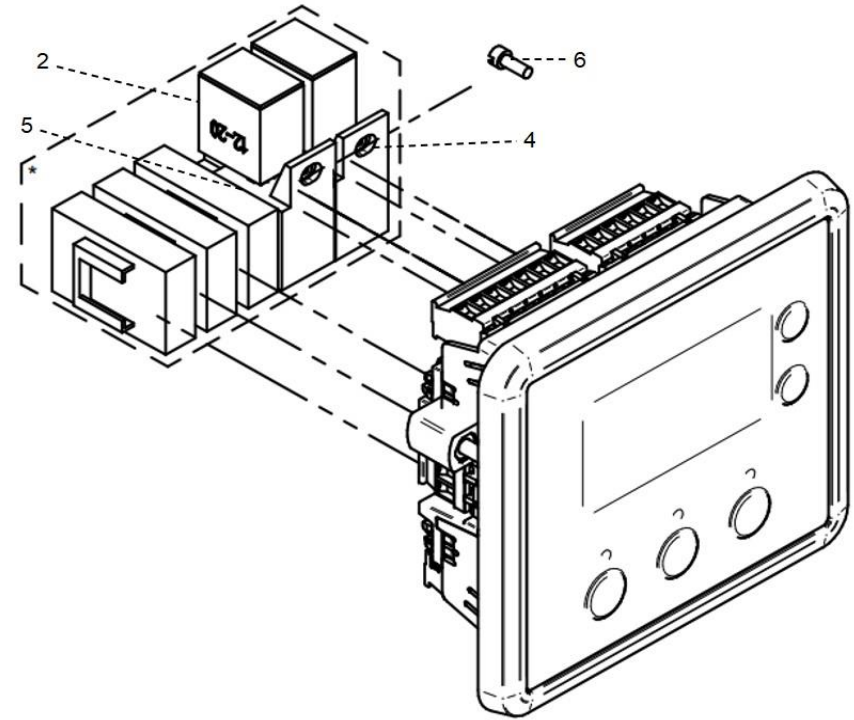




D_MI17GST3ST_05_5 Panels for Genset						
FIG.	REF.	QTY	DESCR.	FROM	UPTO	
1A	61938230.3S	1	Panel SCO 5 G-8M-3 12V 230V			
1B	61938400.3S	1	Panel SCO 5 G-8T-3 12V 400/230V			



D_PANELGRUP02_01 Panel Components for Genset						
FIG.	REF.	QTY	DESCR.	FROM	UPTO	
2A	60900091	4	MICRO Relay 12V 12-20			
<i>Figure A for 12V System</i>						
2B	60900092	4	MICRO Relay 24V 24-10			
<i>Figure b for 24V System</i>						
4	51030005	2	Washer DIN 125-5			
5	61900001	1	Rail Guide For Modular Micro Relay Holder - Fusible Holder		29/03/2023	
5	61900002	1	Rail Guide For Modular Micro Relay Holder - Fusible F		29/03/2023	
6	51918054	2	Bolt DIN 7981C 3,5-9,5			
NS	60972112	1	Wiring BRIDGE MONOF. Panel COMAP [NS]			
NS	60972123	1	Electrical System Back Panel SCO 5 [NS]			
NS	61972124	1	SCO 5 Panel Screw Bracket [NS]			



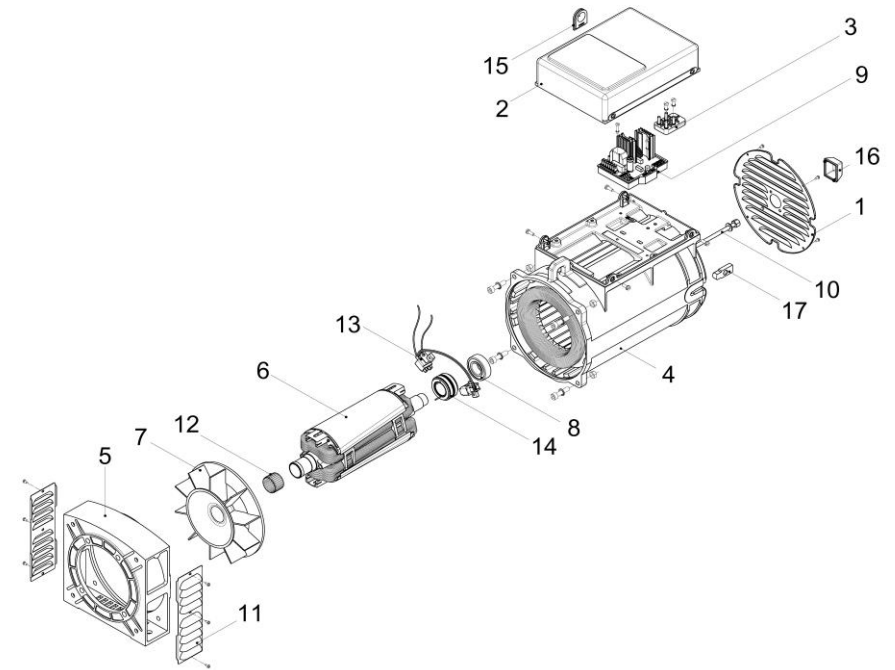
[NS] Not shown

D_W1C1_1_1		Genset Extension				
FIG.	REF.	QTY	DESCR.	FROM	UPTO	
1A	60938210I	1	Genset Wiring Ext. 3 M. CPC			
1B	60985210I	1	Genset Wiring Ext. 4 M. CPC			
1C	60938221	1	Genset Wiring Ext. 6 M. CPC			
1D	60938212	1	Genset Wiring Ext. 8 M. CPC			
1E	60985210.12I	1	Genset Wiring Ext. 12 M. CPC			
1F	60985210.18I	1	Genset Wiring Ext. 18 M. CPC			
1G	60985210.24I	1	Genset Wiring Ext. 24 M. CPC			
1H	60985210.30I	1	Genset Wiring Ext. 30 M. CPC			
1I	60974552	1	3-way Wiring Wxtension for Auxiliary Kits 4 m			
1J	60900165	1	3-way Wiring Extension for Auxiliary Kits 6 m			
1K	60900166	1	3-way Wiring Extension for Auxiliary Kits 12 m			
1L	60900167	1	3-way Wiring Extension for Auxiliary Kits 24 m			
1M	60972104	1	Double Panel SCO 12 M. Harness			
1N	60972105	1	Double Panel SCO 24 M. Harness			
1O	60972110	1	Double Panel SCO 36 M. Harness			
1P	60972145	1	Double Panel SCO 45 M. Harness			





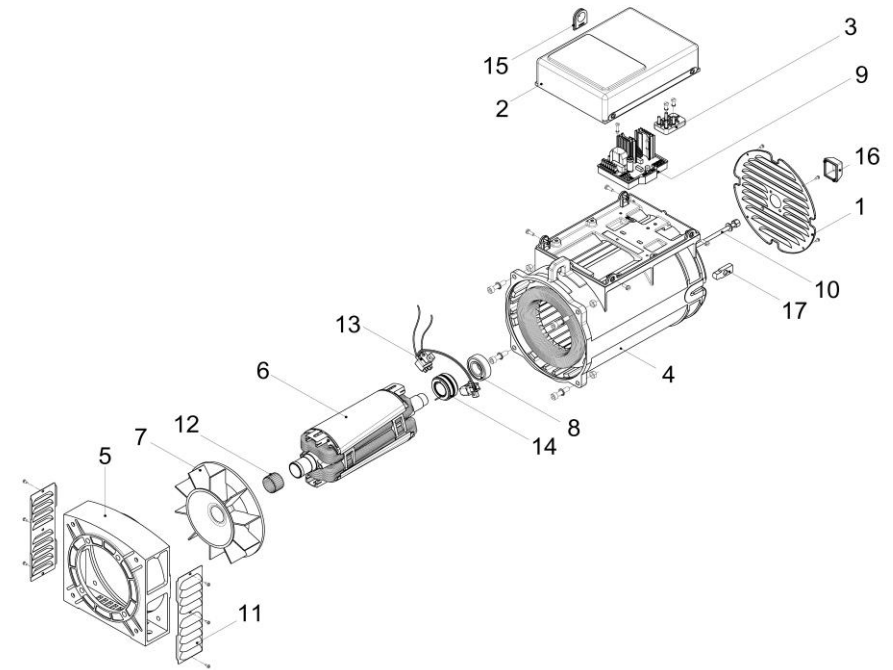
D_60513109		Alt. 60513109 for Genset G-8M-3			
FIG.	REF.	QTY	DESCR.	FROM	UPTO
0	60513109R	1	Alt.MECC.ALTE I 8KVA 3000RPM 230V (R)		
1	60513108.1.4	1	Grid		
2	60513108.1.2	1	Terminal Box Lid		
3	60513108.1.20	1	Terminal Board 56x36		
4	(*)	3	Not available [NP]		
5	60513108.1.3	1	Drive End Bracket MD 35/5		
7	60513108.1.10	1	Fan		
8	60513108.1.18	1	Rear Bearing 6205-2RS		
9	60513108.1.21	1	ASR Electronic Regulator		
11	60513108.1.5	2	Protection Screen MD35		
12	60513108.1.22	1	Fixing Ring BN-35x23		
13	60511320.1.52	1	Ensemble Porte Baiais ET/ES Avec		01/11/2016
13	60513108.1.52	1	Brush Gear Without Varistor x ASR	02/11/2016	
14	60513108.1.23	1	Slip Ring 50x28x8		
15	60513108.1.7	1	Rubber Grommet [NP]		
16	60513108.1.8	1	Grid Rubber Cap		
17	60513108.1.9	1	Rubber Cap [NP]		
NS	60513108.1.17	1	Front Bearing 6306-2RS [NS]		
NS	60513108.1.51	1	Varistor [NS]		01/11/2016



[NP] Not provided
 [NS] Not shown



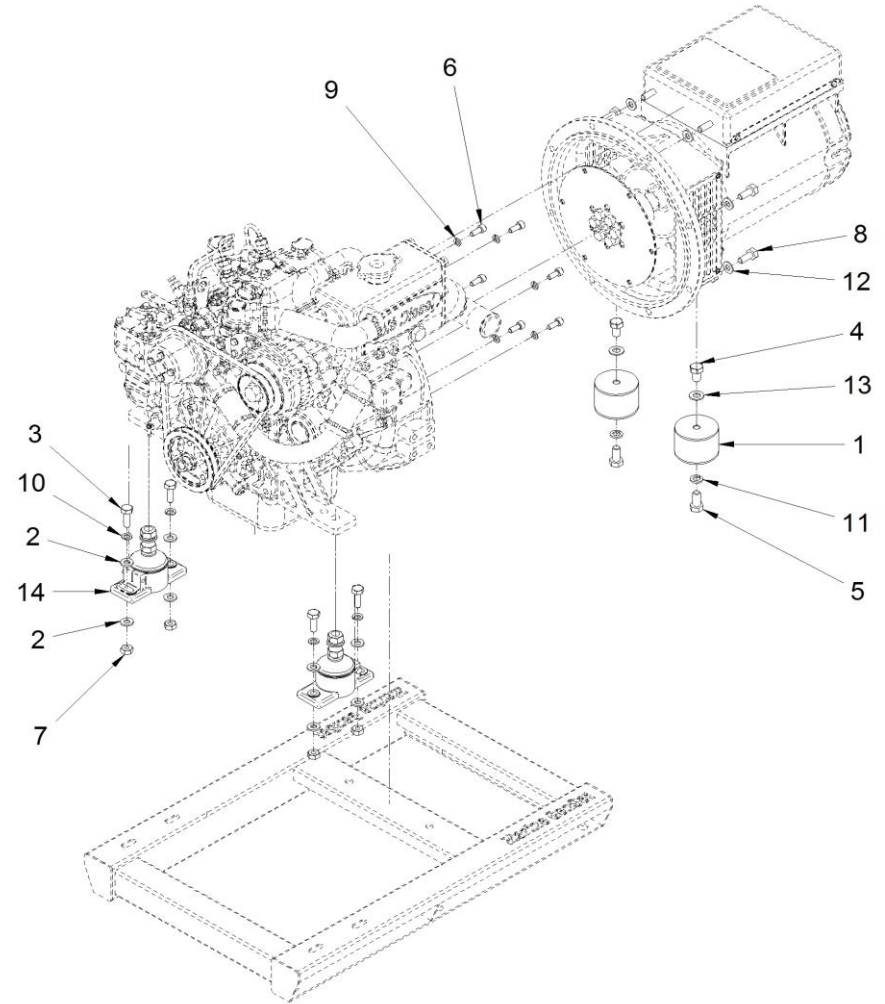
D_60513309		Alt. 60513309 for Genset G-8T-3			
FIG.	REF.	QTY	DESCR.	FROM	UPTO
0	60513309R	1	Alt.MECC.ALTE III 9KVA 3000 400/230V (R)		
1	60513108.1.4	1	Grid		
2	60513108.1.2	1	Terminal Box Lid		
3	60513108.1.20	1	Terminal Board 56x36		
4	(*)	3	Not available [NP]		
5	60513108.1.3	1	Drive End Bracket MD 35/5		
7	60513108.1.10	1	Fan		
8	60513108.1.18	1	Rear Bearing 6205-2RS		
9	60513108.1.21	1	ASR Electronic Regulator		
11	60513108.1.5	2	Protection Screen MD35		
12	60513108.1.22	1	Fixing Ring BN-35x23		
13	60511320.1.52	1	Ensemble Porte Baiais ET/ES Avec		01/11/2016
13	60513108.1.52	1	Brush Gear Without Varistor x ASR	02/11/2016	
14	60513108.1.23	1	Slip Ring 50x28x8		
15	60513108.1.7	1	Rubber Grommet [NP]		
16	60513108.1.8	1	Grid Rubber Cap		
17	60513108.1.9	1	Rubber Cap [NP]		
NS	60513108.1.17	1	Front Bearing 6306-2RS [NS]		
NS	60513108.1.51	1	Varistor [NS]		01/11/2016



[NP] Not provided
 [NS] Not shown

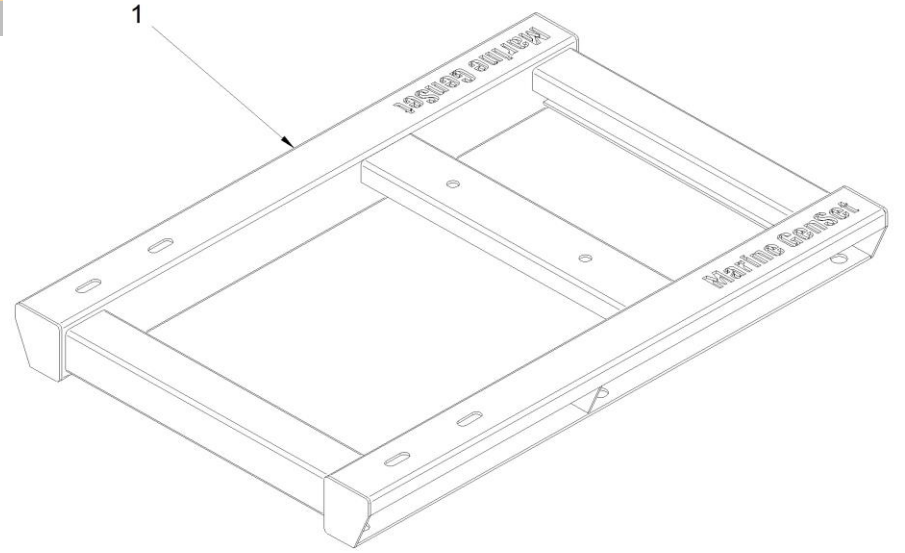


60538102		Kit Genset MINI-17 ES20FS				
FIG.	REF.	QTY	DESCR.	FROM	UPTO	
1	12110046	2	Flexible MOUNT,front			
2	51030010	8	Washer DIN 125-10			
3	52102309	4	Bolt DIN 933 M10-30 8.8			
4	52102357	2	Bolt DIN 933 M12-20 8.8			
4	54102356	2	Bolt DIN 933 M12-16 INOX.			
5	52102358	2	Bolt DIN 933 M12-25 8.8			
6	52103257	6	Bolt DIN 912 M8-20 8.8			
7	52120010	4	Nut DIN 934 M10 8.8			
8	52202308	8	Screw DIN 961 8.8 M-10/1,25X25			
9	53033008	6	Washer GROWER DIN 127-8			
10	53033010	4	Washer GROWER DIN 127-10			
11	53033012	2	Washer Grower DIN 127-12			
12	53038010	8	Washer DIN 6798-A 10			
13	53038012	2	Washer DIN 6798-A 12			
14	61631100	2	Engine Mount Type A 50 SHA M14 H 108		24/03/2023	
14	61631101	2	Engine Mount Type A 50-60 SHA M14 H 125	24/03/2023		



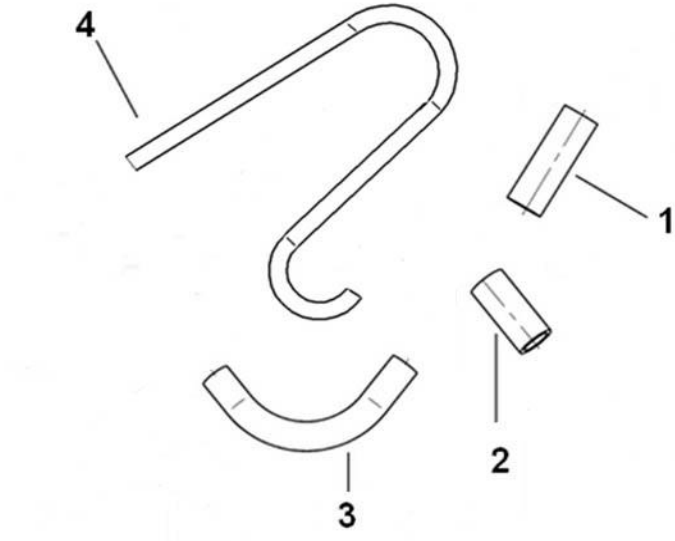


D_60538020		Chassis,Assy				
FIG.	REF.	QTY	DESCR.	FROM	UPTO	
1	60538020	1	CHASSIS,Assy			



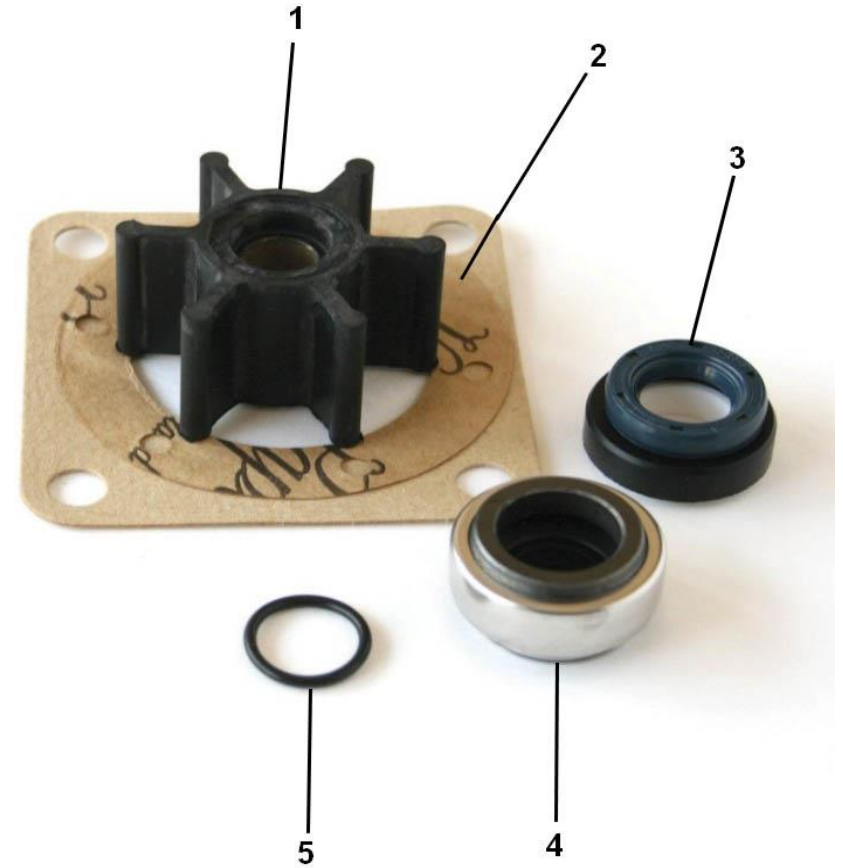


13811100.4		Pipe Rubber Set,water line 4 V.				
FIG.	REF.	QTY	DESCR.	FROM	UPTO	
1	13811017	1	Pipe 28-38-80			
2	13811017.1	1	Pipe 28-38-50			
3	13811022	1	SLEEVE Rubber			
4	M87501927	0,7	Water Intake Hose (HQ) D. 19-27			





33811000K		Repair Kit Water Pump 1/2"				
FIG.	REF.	QTY	DESCR.	FROM	UPTO	
1	31211008	1	1/2" Impeller			
2	31211003	1	Gasket Cover			
3	33411020	1	Seal			
4	33411019	1	Seal			
5	33311013	1	O-Ring D. 15X2			
NS	17011007	1	O-Ring D. 57X3 [NS]			



[NS] Not shown

37611000K		Repair Kit Water Pump 1/2"				
FIG.	REF.	QTY	DESCR.	FROM	UPTO	
1	31211008	1	1/2" Impeller			
2	37611003	1	O-Ring D. 57x1,5		01/06/2022	
2	37611005	1	O-Ring D. 57X1,78	02/06/2022		
3	33411020	1	Seal			
4	33411019	1	Seal			
5	33311013	1	O-Ring D. 15X2			
NS	17011007	1	O-Ring D. 57X3 [NS]			



[NS] Not shown



D_UTILFA0965_1		Special Tools				
FIG.	REF.	QTY	DESCR.	FROM	UPTO	
1	U30L9110010	1	Piston Pin Setting Tool			
2	13811063	1	Refrigerator Mounting Key			
3	UMM74007	1	Piston Ring Pliers			
4	UST332270	1	Compression Gauge Adapter			

