



SP60 S.Drive

SPARE PARTS MANUAL



PARTS LIST CATALOGUE

NORMS TO PLACE AN ORDER:

For fast and more efficient service, please specify the following information on spare parts orders that must be preferably done by FAX or e-mail as specified below:

- 1- Engine model: As shown in identification plate
- 2- Engine serial number: As shown in identification plate and stamped on crankcase
- 3- Item description + part number + quantity required

Spare parts requests must be addressed to:

recambios@solediesel.com

Telf.: +34 93 775 44 05

Fax: +34 93 775 30 13

The components shown in the catalog have:

- Figure: Number by which they are represented in scheme
 - Description: Trade name of the component
 - Quantity: Total number of parts used in the assembly of the part represented (may differ from the total minimum quantities)
- Hoses, indicates the total length in meters

The diagrams shown in this catalog of spare parts, have only the purpose to identify the piece in question, its representation is not meaningful and may differ from the actual piece.

In case of doubt, contact Solé Diesel, or your authorized dealer.

The parts i / or references in this catalog are subject to change without notice.

[SOLÉ, S.A.](#)

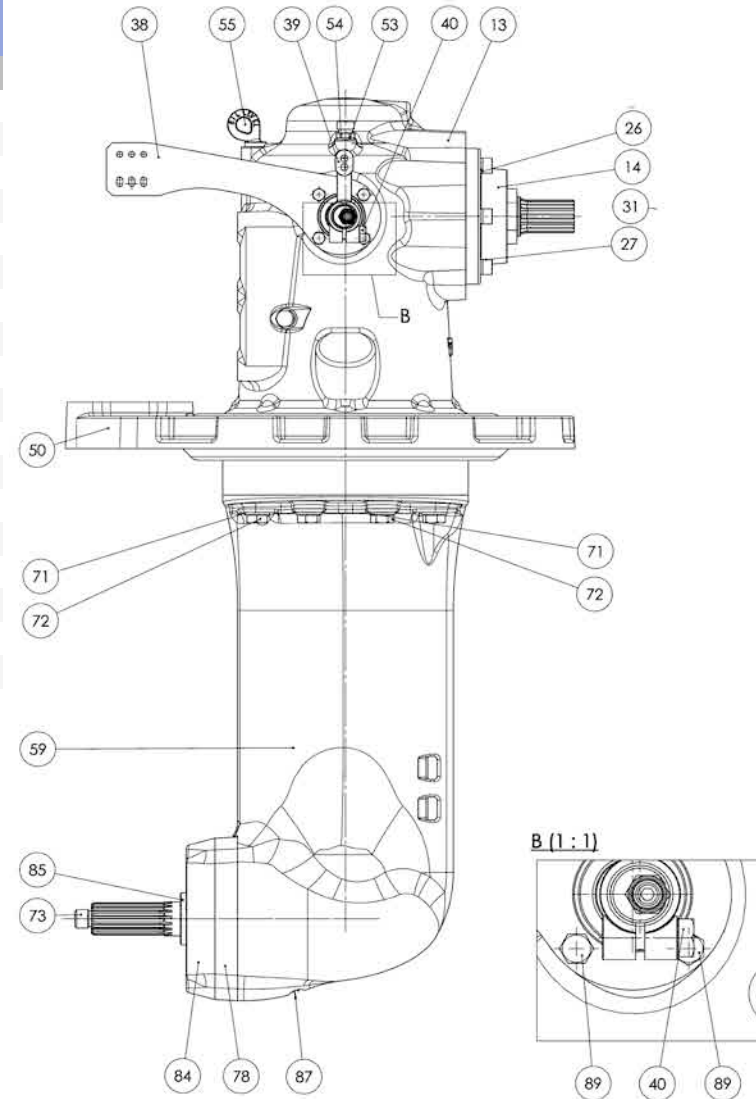
C-243b, Km, 2 - P.O. BOX 15
08760 Martorell (Barcelona) Spain

Download the latest version of this manual [HERE](#)

SP60 S.Drive

Sheet 1/4 SP60 S.Drive V1
Sheet 2/4 SP60 S.Drive V1
Sheet 3/4 SP60 S.Drive V1
Sheet 4/4 SP60 S.Drive V1
Sheet 1/4 SP60 S.Drive V2
Sheet 2/4 SP60 S.Drive V2
Sheet 3/4 SP60 S.Drive V2
Sheet 4/4 SP60 S.Drive V2
Maintenance Kit

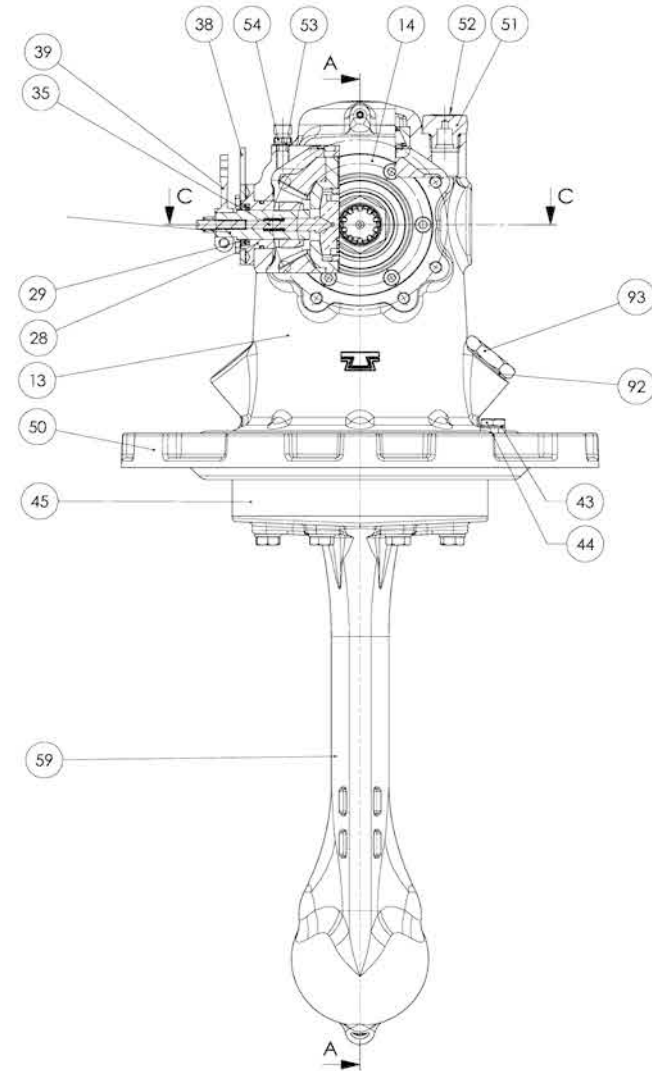
D_5037_1		Sheet 1/4 SP60 S.Drive V1				
FIG.	REF.	QTY	DESCR.	FROM	UPTO	
13	24813500.13	1	Body [NP]			
26	24813500.26	6	Washer			
27	52103259	6	Bolt DIN 912 M8-30 8.8			
38	24813500.38	1	Bracket Control			
39	24810424	1	Lever			
40	52102258	1	Bolt DIN 933 M8-25 8.8			
50	24813500.50	1	Flange CLOSING MEMBRANE			
53	24810063	2	Plane Washer			
54	24810065	1	Plug			
55	24813500.55	1	Gauge Oil LEVEL			
59	24813500.59	1	Body			
71	24813500.71	8	Washer [NP]			
72	24813500.72	8	Screw			
73	24813500.73	1	Propeller Shaft			
78	24813500.78	1	Body			
84	24813500.84	1	Anode SP60			
85	24813500.85	1	Spacer			
87	24813500.87	1	Plug,oil drain			
89	52102154	4	Bolt DIN 933 M6-10 8.8			



[NP] Not provided



D_5037_2		Sheet 2/4 SP60 S.Drive V1				
FIG.	REF.	QTY	DESCR.	FROM	UPTO	
14	24813500.14	1	Body			
28	24813500.28	1	Body Control			
29	24860404	1	Oil Seal			
31	24860402	1	Shaft			
35	24860423	1	PAD			
43	24810522	1	Washer			
44	24813500.44	1	Plug [NP]			
45	24813500.45	1	Cover			
51	24813500.51	1	Plug [NP]			
52	24860006	1	ATF Oil Plate			
92	24830035	1	Washer			
93	24813500.93	1	Plug			

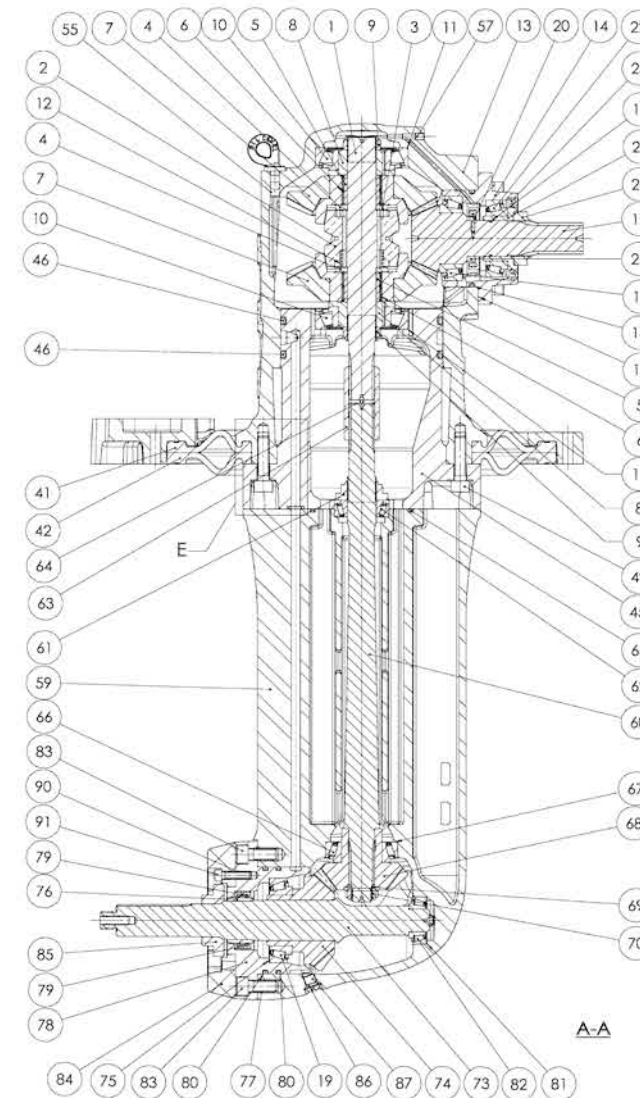


[NP] Not provided



D_5037_3 Sheet 3/4 SP60 S.Drive V1

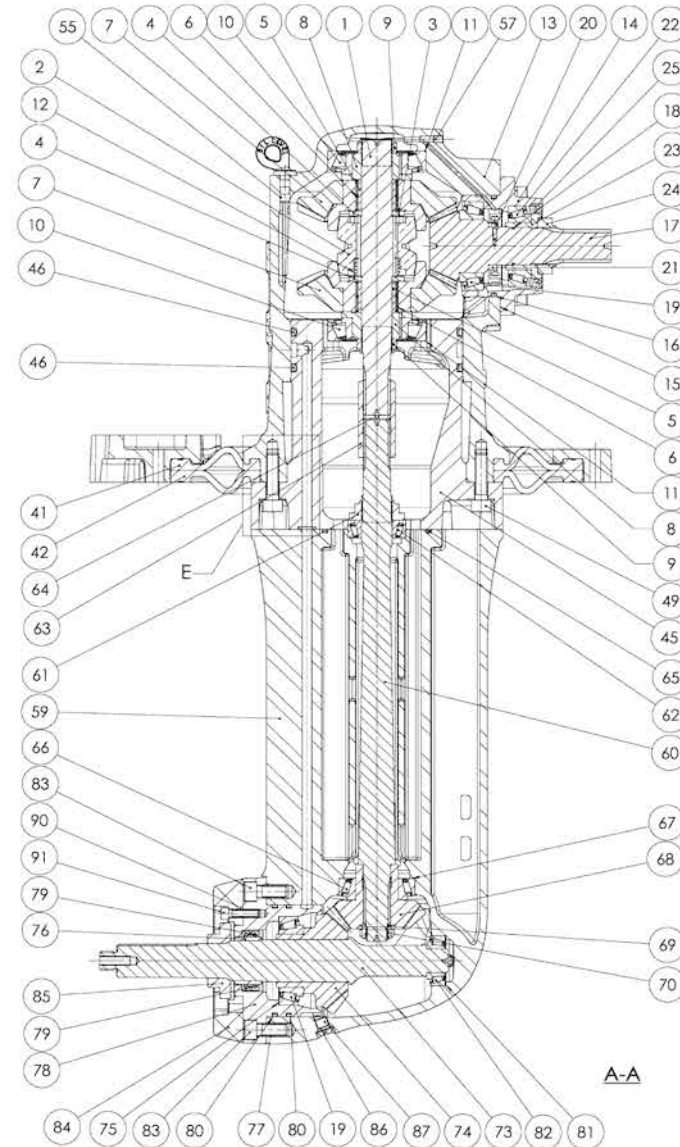
FIG.	REF.	QTY	DESCR.	FROM	UPTO
1	24813500.01	1	Shaft,Output [NP]		
2	24813500.02	1	CONE Clutch		
3	24813500.03	4	Spacer [NP]		
4	24860217	2	Spacer		
5	24813500.05	2	Ring,Bearing		
6	24813500.06	4	Bearing, needle		
7	24813500.07	2	Gear		
8	24813500.08	2	Cover		
9	24813500.09	2	Nut		
10	24813500.10	2	Bearing		
11	24810333	2	Spacer		
12	24813500.12	1	Spring		
17	24813500.17	1	Shaft		
20	24813500.20	1	Screw		
41	24813500.41	1	Gasket		
42	24813500.42	1	Gasket		
46	24813500.46	2	O-Ring		
57	24810506	1	Screw		
60	24813500.60	1	Shaft		
61	24813500.61	1	Ring		
62	24860206	1	Conical Roller Bearing 32005		
63	24813500.63	1	Guide [NP]		
64	24813500.64	1	CIRClip		
65	24813500.65	1	O-Ring		
66	24813500.66	1	Bearing		
67	24813500.67	2	Spacer		
68	24813500.68	1	Gear		
69	24813500.69	2	Washer [NP]		
70	24813500.70	1	Nut		
74	24813500.74	1	Gear		
75	24850108	2	Shim Adjusting		
76	24813500.76	1	Bushing		
77	24813500.77	2	HELICOil		
79	24813500.79	2	Oil Seal		
80	24813500.80	2	O-Ring D. 90X3,5		



[NP] Not provided

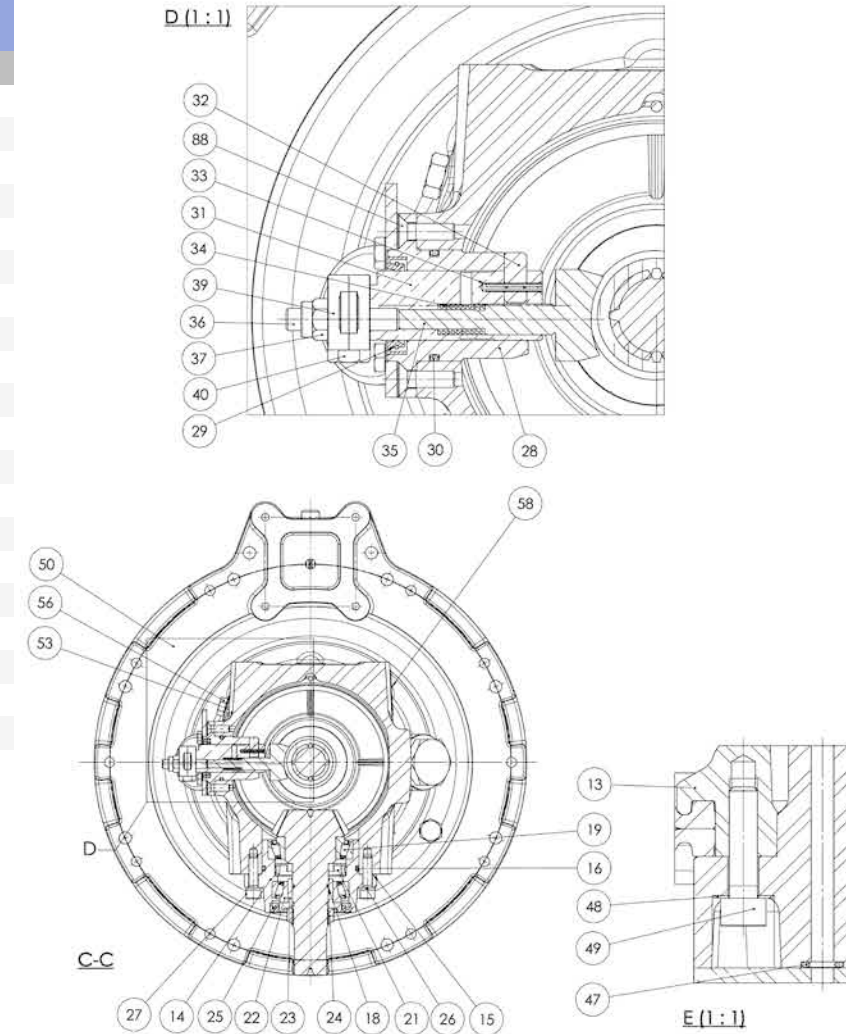


D_5037_3 Sheet 3/4 SP60 S.Drive V1						
FIG.	REF.	QTY	DESCR.	FROM	UPTO	
81	24813500.81	3	Spacer			
82	24813500.82	1	Bearing			
83	24813500.83	2	Screw			
86	24813500.86	1	O-Ring D. 8X1,5			
90	24813500.90	3	HELICOil [NP]			
91	24813500.91	3	Screw			



D_5037_4 Sheet 4/4 SP60 S.Drive V1

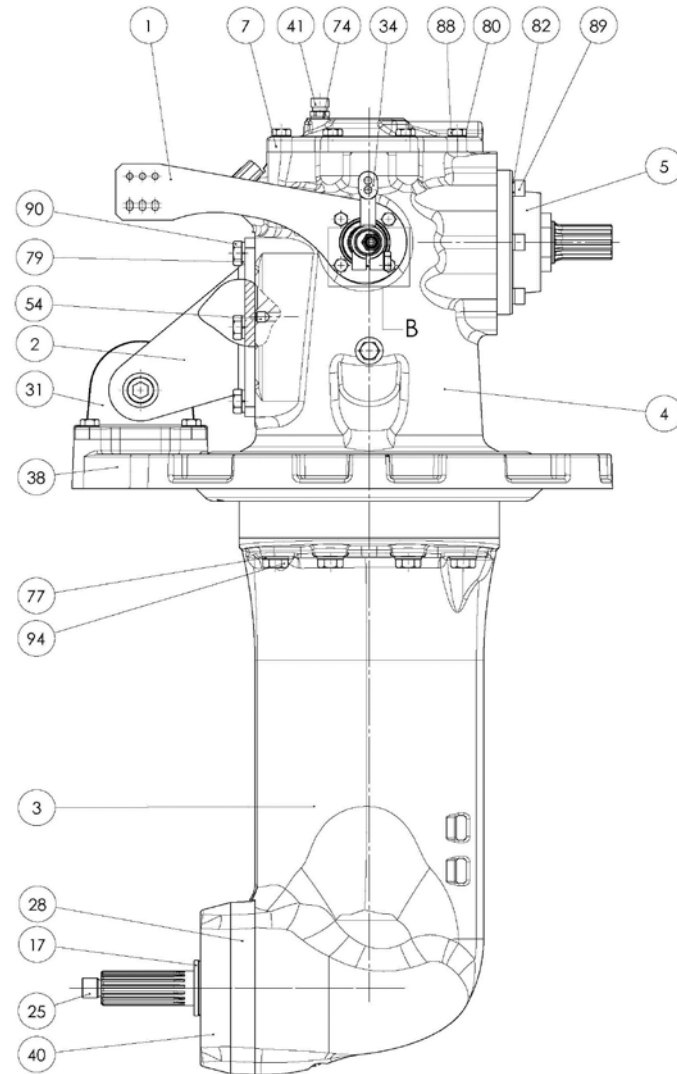
FIG.	REF.	QTY	DESCR.	FROM	UPTO
15	24813500.15	2	Spacer		
16	24813500.16	1	O-Ring		
18	24813500.18	1	O-Ring		
19	24850104	2	Conical Roller Bearing 32009-X		
21	24813500.21	1	Impeller		
22	24813500.22	1	Bearing		
23	24813500.23	1	Cover		
24	24813500.24	1	Nut		
25	24813500.25	1	Oil Seal		
30	24860417	1	O-Ring		
32	24860419	1	Pin		
33	53052210	1	Pin DIN 1481 3-20		
34	24860411	1	Spring		
36	24860409	1	Screw		
37	51123008	1	Nut DIN 985 M8 5.6		
47	24813500.47	1	O-Ring		
48	24813500.48	8	Washer [NP]		
49	24813500.49	8	Screw		
56	24850011	1	Plug,oil drain		
58	24850005	1	Plate, IDENTIFICATION		
88	24813500.88	4	Screw [NP]		



[NP] Not provided



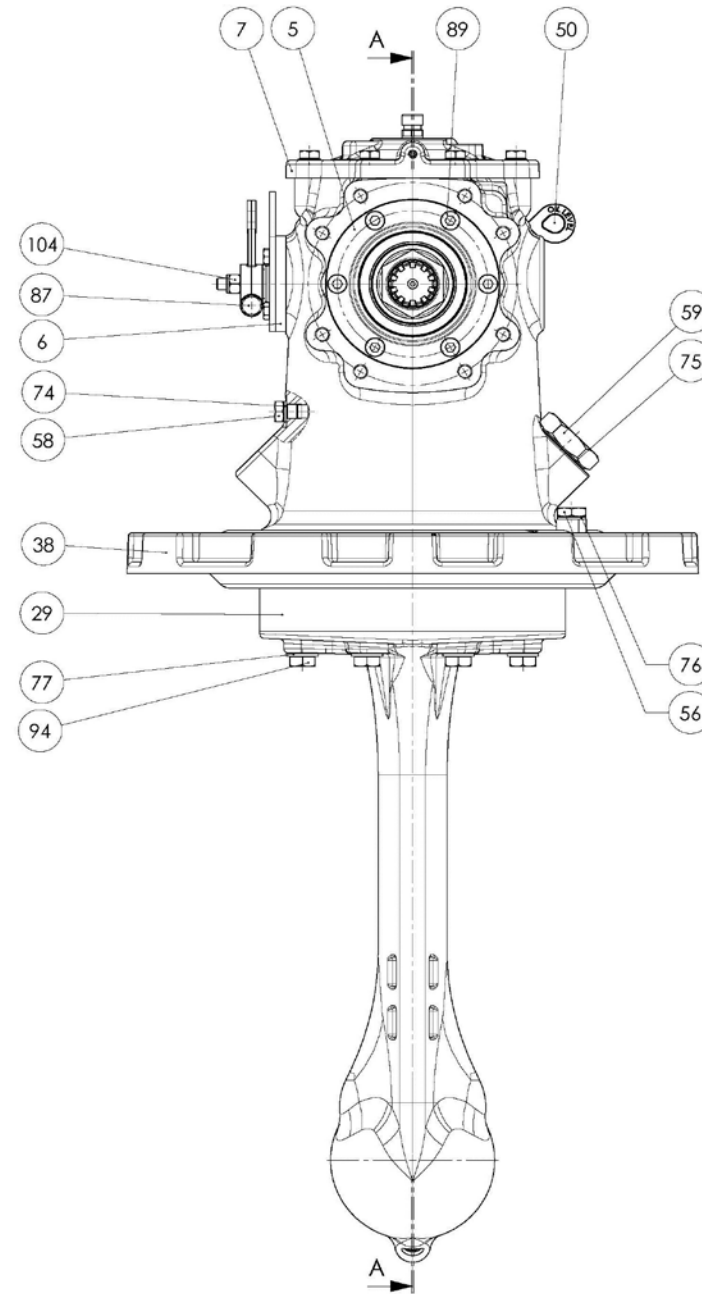
D_5037_6		Sheet 1/4 SP60 S.Drive V2			
FIG.	REF.	QTY	DESCR.	FROM	UPTO
1	24813500.38	1	Bracket Control		
2	24813500.95	1	Bracket [NP]		
3	24813500.59	1	Body		
4	24813500.13.1	1	Body		
5	24813500.14	1	Body		
7	24813500.104.1	1	Body		
17	24813500.94	1	Spacer		
25	24813500.73	1	Propeller Shaft		
28	24813500.78	1	Body		
31	24813500.96	1	Flexible		
34	24810424	1	Lever		
38	24813500.50	1	Flange CLOSING MEMBRANE		
40	T2050044	1	Aluminum Anode (Fresh Water)		
41	24810065	1	Plug		25/06/2019
41	TIT4589038	1	Vent Plug 3/8" GAS		26/06/2019
54	24813500.123	1	Screw		
74	24810063	1	Plane Washer		25/06/2019
74	TIT4609037	1	Aluminum Washer 3/8" GAS		26/06/2019
77	24813500.126	8	Washer		
79	53033010	6	Washer GROWER DIN 127-10		
80	24850093	12	Washer		
82	24813500.26	6	Washer		
88	52102259	12	Bolt DIN 933 M8-30 8.8		
89	52103259	6	Bolt DIN 912 M8-30 8.8		
90	52102309	6	Bolt DIN 933 M10-30 8.8		



[NP] Not provided

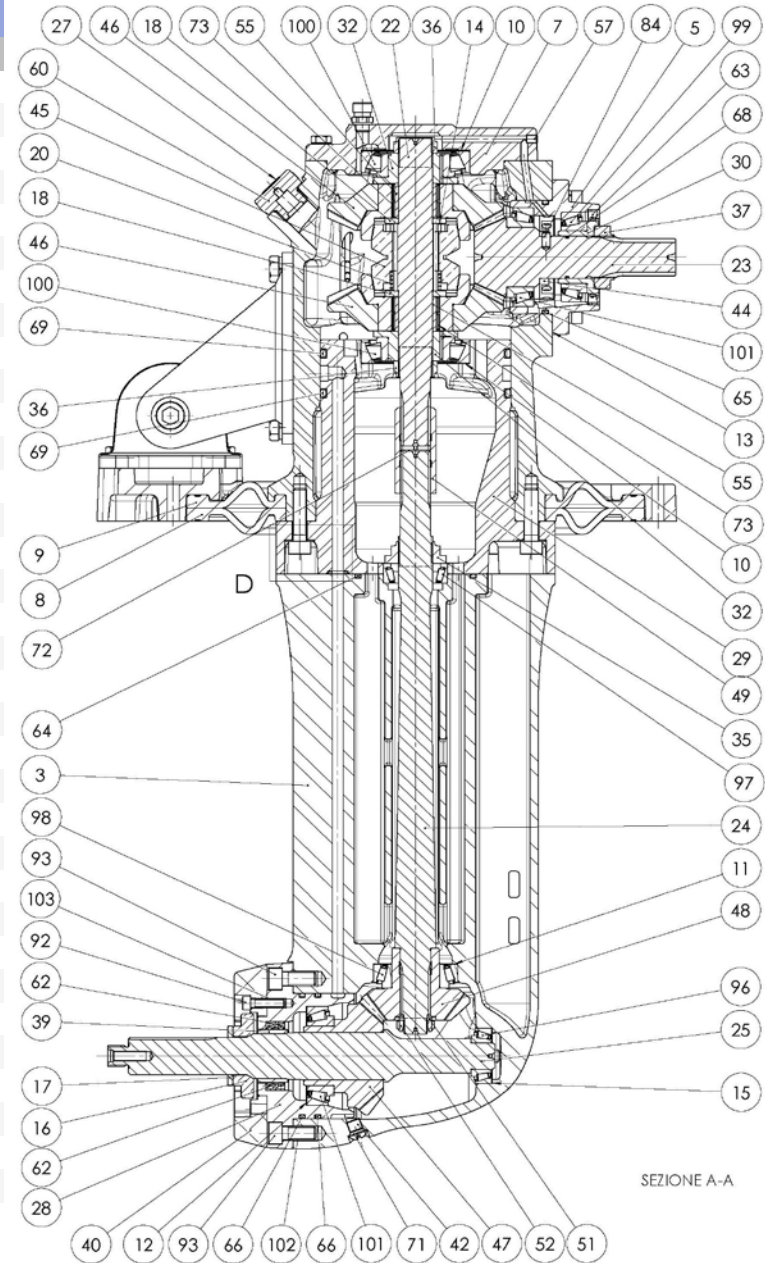


D_5037_7 Sheet 2/4 SP60 S.Drive V2						
FIG.	REF.	QTY	DESCR.	FROM	UPTO	
6	24813500.28	1	Body Control			
104	24813500.131	1	Nut			
29	24813500.45	1	Cover			
50	24813500.121	1	Gauge Oil Level			
56	24813500.124	1	Plug			
58	24850011	1	Plug,oil drain			
59	24813500.93	1	Plug			
75	24830035	1	Washer			
76	24810522	1	Washer			
87	52102258	1	Bolt DIN 933 M8-25 8.8			
94	24813500.72	8	Screw			
74	24810063	1	Plane Washer			

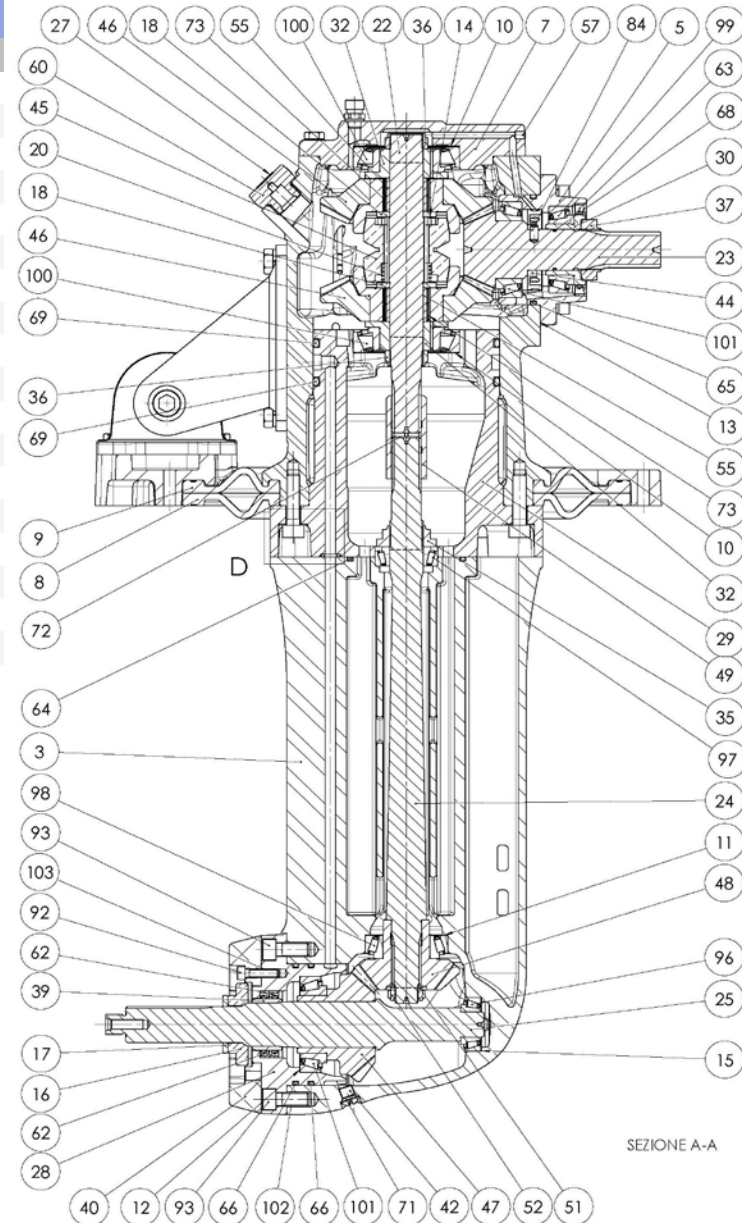


D_5037_8 **Sheet 3/4 SP60 S.Drive V2**

FIG.	REF.	QTY	DESCR.	FROM	UPTO
8	24813500.42	1	Gasket		
9	24813500.41	1	Gasket		
10	24810333	6	Spacer		
100	24813500.10	2	Bearing		
101	24850104	2	Conical Roller Bearing 32009-X		
102	24813500.77	2	HELICOil		
103	24813500.130	3	Helicoil		
11	24813500.67	2	Spacer		
12	24850108	2	Shim Adjusting		
13	24813500.15	2	Spacer		
14	24813500.113	2	Spacer		
15	24813500.81	3	Spacer		
16	24813500.85	1	Spacer		
18	24860217	2	Spacer		
20	24813500.12	1	Spring		
22	24813500.114	1	Shaft, Output		
23	24813500.17	1	Shaft		
24	24813500.60	1	Shaft		
27	24860006	1	ATF Oil Plate		
30	24813500.23	1	Cover		
32	24813500.115	2	Bearing Support		
35	24813500.61	1	Ring		
36	24813500.09	2	Nut		
37	24813500.24	1	Nut		
39	24813500.76	1	Bushing		
42	24813500.87	1	Plug,oil drain		
44	24813500.21	1	Impeller		
45	24813500.02	1	CONE Clutch		
46	24813500.117	2	Gear		
47	24813500.118	1	Gear		
48	24813500.119	1	Pinion		
49	24813500.120	1	Shaft Coupling		
51	24813500.122	2	Washer		
52	24813500.70	1	Nut		
55	24813500.05	2	Ring,Bearing		

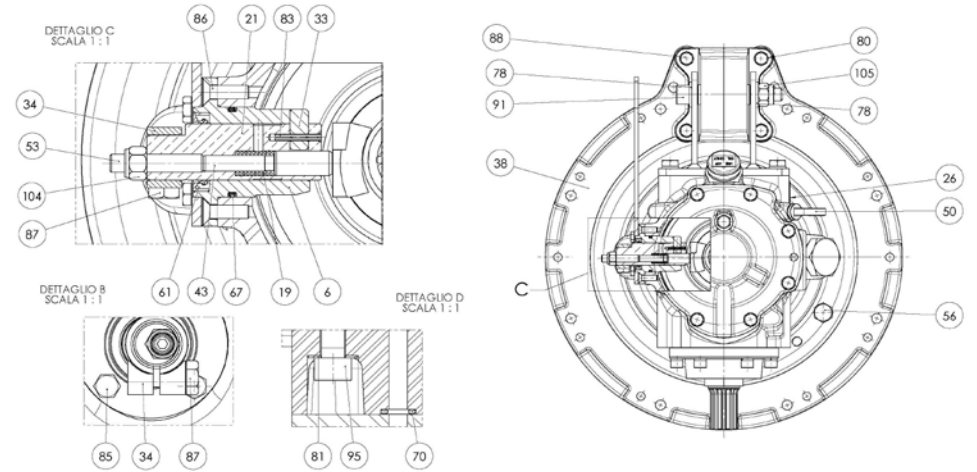


D_5037_8 Sheet 3/4 SP60 S.Drive V2						
FIG.	REF.	QTY	DESCR.	FROM	UPTO	
57	24810326	1	Plug			
60	24813500.125	1	Plug			
62	24813500.79	2	Oil Seal			
63	24813500.25	1	Oil Seal			
64	24813500.65	1	O-Ring			
65	24813500.16	1	O-Ring			
66	24813500.80	2	O-Ring D. 90X3,5			
68	24813500.18	1	O-Ring			
69	24813500.46	2	O-Ring			
71	24813500.86.1	1	O-Ring			
72	24813500.64	1	CIRClip			
73	24813500.06	4	Bearing, needle			
84	24813500.128	1	Pin			
92	24813500.91	3	Screw			
93	24813500.83	2	Screw			
96	24813500.82	1	Bearing			
97	24860206	1	Conical Roller Bearing 32005			
98	24813500.66	1	Bearing			
99	24813500.22	1	Bearing			



D_5037_9 Sheet 4/4 SP60 S.Drive V2

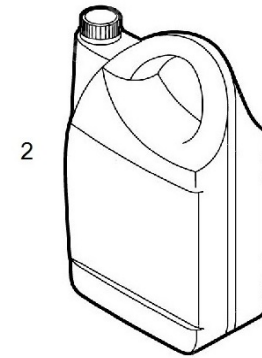
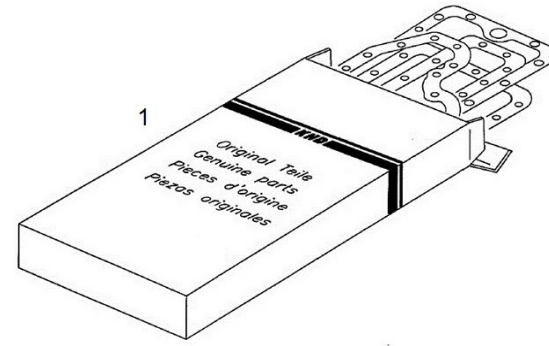
FIG.	REF.	QTY	DESCR.	FROM	UPTO
105	24813500.99	1	Nut [NP]		
19	24860411	1	Spring		
21	24860402	1	Shaft		
26	24850005	1	Plate, IDENTIFICATION		
33	24860419	1	Pin		
43	24860423	1	PAD		
53	24860409	1	Screw		
61	24860404	1	Oil Seal		
67	24860417	1	O-Ring		
70	24813500.47	1	O-Ring		
78	51030014	2	Washer DIN 125-14		
81	24813500.127	8	Washer		
83	53052210	1	Pin DIN 1481 3-20		
85	52102154	4	Bolt DIN 933 M6-10 8.8		
86	24813500.129	4	Screw		
91	24813500.98	1	Bolt		
95	24813500.49	8	Screw		



[NP] Not provided



D_5037_5		Maintenance Kit			
FIG.	REF.	QTY	DESCR.	FROM	UPTO
1	24813401	1	Kit Gasket		
2	A0201000	3	ATF Sole Diesel Oil 1L		
NS	24813500.84	1	Anode SP60 (Saltwater) [NS]		
NS	T2050044	1	Aluminum Anode (Fresh Water) SP60 [NS]		



[NS] Not shown

