



Gearbox TMC-40P

SPARE PARTS MANUAL



## PARTS LIST CATALOGUE

### NORMS TO PLACE AN ORDER:

For fast and more efficient service, please specify the following information on spare parts orders that must be preferably done by FAX or e-mail as specified below:

- 1- Engine model: As shown in identification plate
- 2- Engine serial number: As shown in identification plate and stamped on crankcase
- 3- Item description + part number + quantity required

---

### Spare parts requests must be addressed to:

[recambios@solediesel.com](mailto:recambios@solediesel.com)

Telf.: +34 93 775 44 05

Fax: +34 93 775 30 13

---

The components shown in the catalog have:

- Figure: Number by which they are represented in scheme
  - Description: Trade name of the component
  - Quantity: Total number of parts used in the assembly of the part represented (may differ from the total minimum quantities)
- Hoses, indicates the total length in meters

---

*The diagrams shown in this catalog of spare parts, have only the purpose to identify the piece in question, its representation is not meaningful and may differ from the actual piece.*

*In case of doubt, contact Solé Diesel, or your authorized dealer.*

*The parts i / or references in this catalog are subject to change without notice.*

---

[SOLÉ, S.A.](#)

C-243b, Km, 2 - P.O. BOX 15  
08760 Martorell (Barcelona) Spain

---

Download the latest version of this manual [HERE](#)

# Contents



## Gearbox TMC-40P

Sheet 1/2

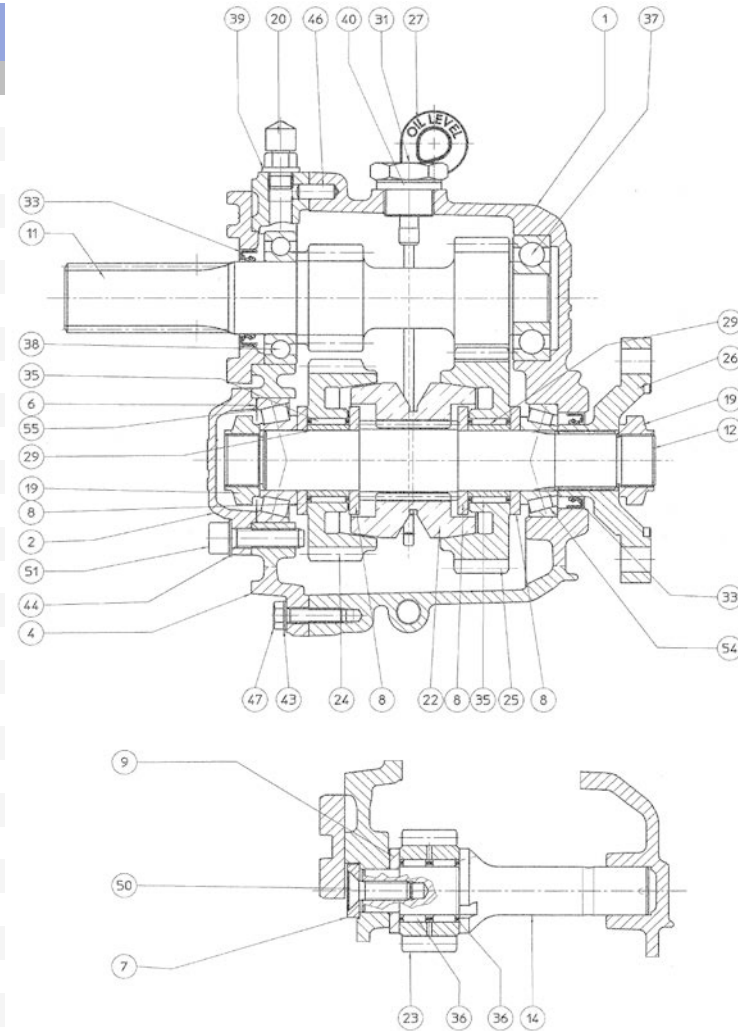
Sheet 2/2

Maintenance Kit



**D\_5033\_1** **Sheet 1/2**

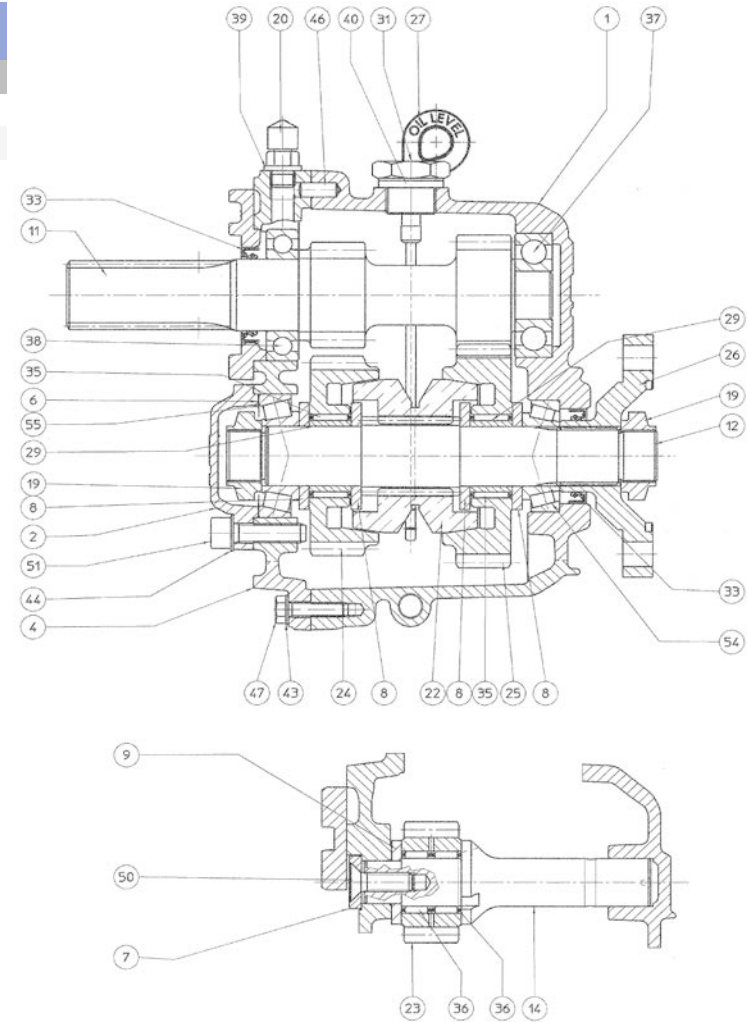
FIG.	REF.	QTY	DESCR.	FROM	UPTO
1	24860002P	1	Box		
2	24860208	1	Cover		
4	24860001P	1	Cover		
6	24860076	2	Shim		
7	24860307	1	Washer		
8	24860217	4	Spacer		
9	24860304	1	Spacer		
11	24863101	1	Input Shaft		
11	24864101	1	INPUT Shaft		
12	24860201	1	Output		
14	24860301	1	INTERMEDIATE Shaft		
19	24860222	2	Nut		
20	24810065	1	Plug		
22	24860202	1	Clutch		
23	24860302	1	Gear		
24	24860210	1	Gear		
25	24863203	1	Gear R.2,00		
25	24864203	1	Gear R.2,60		
26	24860224	1	Flange Output		
27	24860008P	1	Gauge		
29	24860205	2	CAGE		
31	24830011	1	Plug		
33	24860103	2	Oil Seal		
35	24860204	2	Bearing, needle		
36	24860306	2	Bearing, needle		
37	24860104	1	Ball Bearing 6304		
38	24860105	1	Bearing		
39	24810063	1	Plane Washer		
40	56000081	1	Washer 20-26-1,5		
43	24860092	8	Washer		
44	24850093	4	Washer		
46	24860023	2	Pin		
47	52102158	8	Bolt DIN 933 M6-25 8.8		
50	52105258	1	Bolt DIN 7991 M8-25 10.9		
51	52103259	4	Bolt DIN 912 M8-30 8.8		



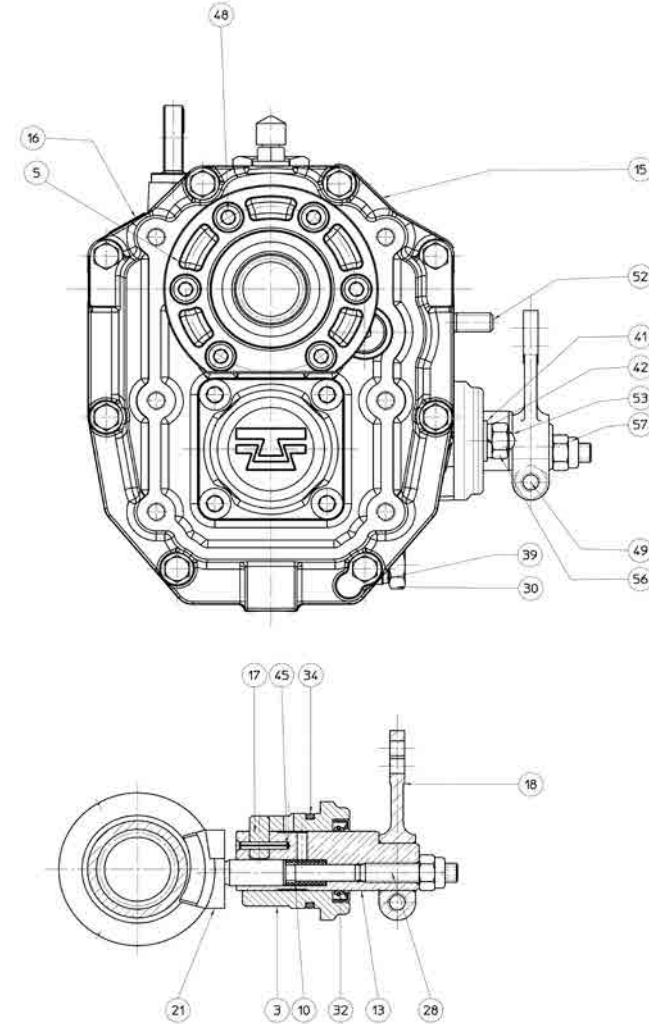
[NS] Not shown



D_5033_1		Sheet 1/2				
FIG.	REF.	QTY	DESCR.	FROM	UPTO	
54	24860206	1	Conical Roller Bearing 32005			
55	24860207	1	Conical Roller Bearing 30205A			
NS	24860450	1	Kit Gaskets [NS]			



D_5033_2		Sheet 2/2				
FIG.	REF.	QTY	DESCR.	FROM	UPTO	
3	24860401	1	Cover			
5	24860003P	1	Cover			
10	24860411	1	Spring			
13	24860402	1	Shaft			
15	24850005	1	Plate, IDENTIFICATION			
16	24860006	1	ATF Oil Plate			
17	24860419	1	Pin			
18	24810424	1	Lever			
21	24860423	1	PAD			
28	24860409	1	Screw			
30	24850011	1	Plug,oil drain			
32	24860404	1	Oil Seal			
34	24860417	1	O-Ring			
39	24810063	1	Plane Washer			
41	51030008	2	Washer DIN 125-8			
42	53033008	2	Washer GROWER DIN 127-8			
45	53052210	1	Pin DIN 1481 3-20			
48	52103157	6	Bolt DIN 912 M6-20 8.8			
49	52102258	1	Bolt DIN 933 M8-25 8.8			
52	24860011P	2	Stud			
53	24860071	2	STUD			
56	52120008	2	Nut DIN 934 M8 8.8			
57	51123008	1	Nut DIN 985 M8 5.6			



D_5033_3			Maintenance Kit			
FIG.	REF.	QTY	DESCR.	FROM	UPTO	
1	24890401	1	Kit Gaskets			
2	A0201000	2	ATF Sole Diesel Oil 1L			

