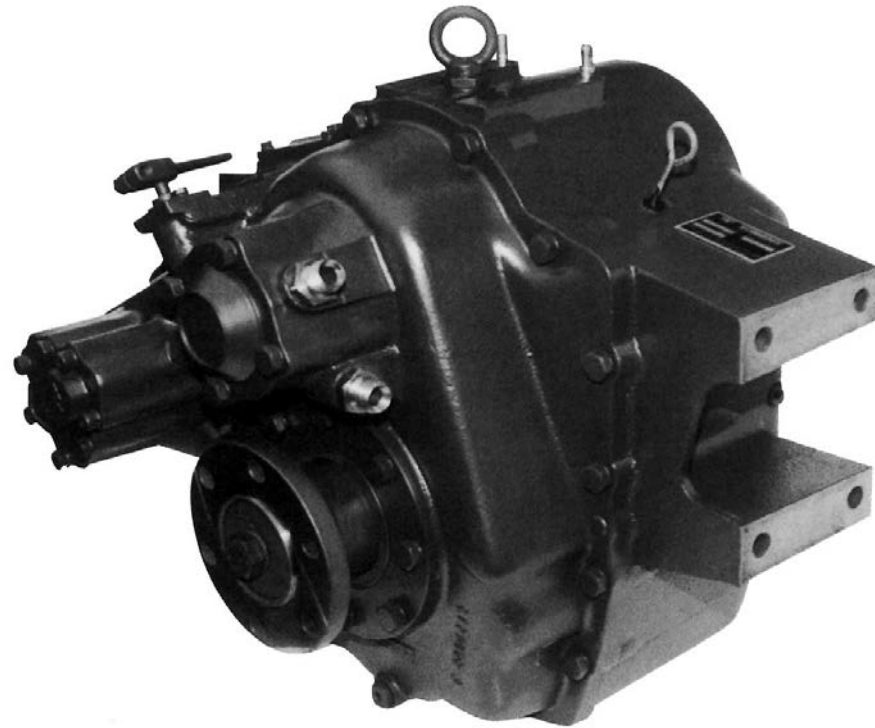




Gearbox TM-265A
VERSION 2018-2
SPARE PARTS MANUAL



PARTS LIST CATALOGUE

NORMS TO PLACE AN ORDER:

For fast and more efficient service, please specify the following information on spare parts orders that must be preferably done by FAX or e-mail as specified below:

- 1- Engine model: As shown in identification plate
- 2- Engine serial number: As shown in identification plate and stamped on crankcase
- 3- Item description + part number + quantity required

Spare parts requests must be addressed to:

recambios@solediesel.com

Telf.: +34 93 775 44 05

Fax: +34 93 775 30 13

The components shown in the catalog have:

- Figure: Number by which they are represented in scheme
 - Description: Trade name of the component
 - Quantity: Total number of parts used in the assembly of the part represented (may differ from the total minimum quantities)
- Hoses, indicates the total length in meters

The diagrams shown in this catalog of spare parts, have only the purpose to identify the piece in question, its representation is not meaningful and may differ from the actual piece.

In case of doubt, contact Solé Diesel, or your authorized dealer.

The parts i / or references in this catalog are subject to change without notice.

[SOLE, S.A.](#)

C-243b, Km, 2 - P.O. BOX 15
08760 Martorell (Barcelona) Spain

Download the latest version of this manual [HERE](#)

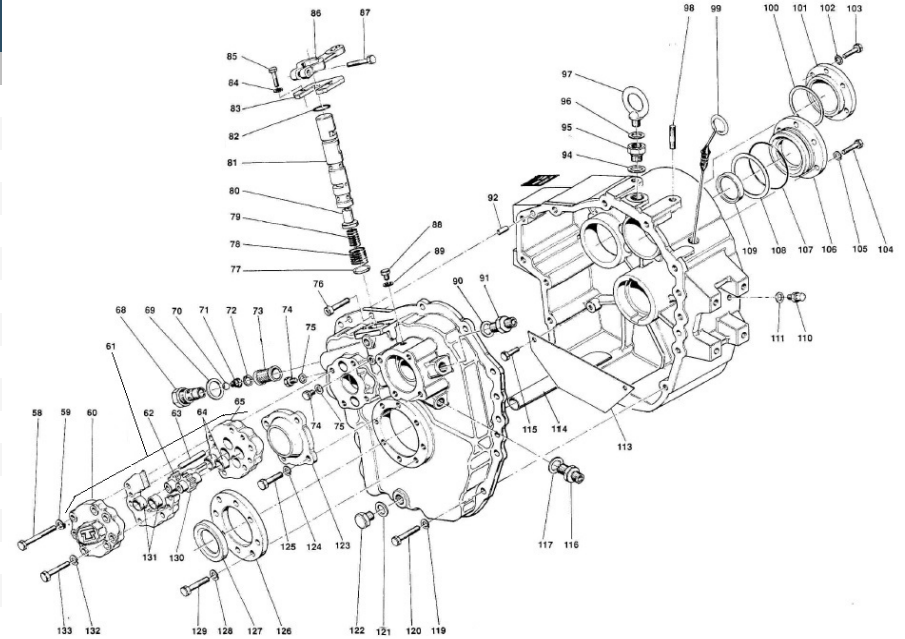
Contents



Gearbox TM-265A
Sheet 1.1/4
Sheet 1.2/4
Input Shaft 2/4
Intermediate Shaft 3/4
Output Shaft 4/4
Maintenance Kit

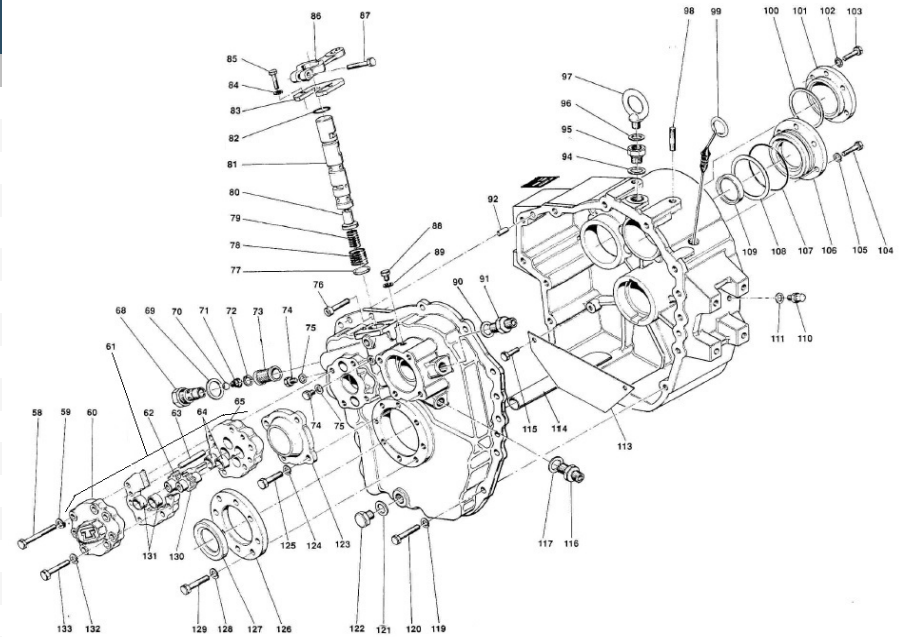


D_5021_1.1		Sheet 1.1/4			
FIG.	REF.	QTY	DESCR.	FROM	UPTO
58	52101266	4	Bolt DIN 931 M8-65 8.8		
59	53033008	4	Washer GROWER DIN 127-8		
60	24820015.1	1	Oil Pump Body		
61	24810017	1	Oil Pump Kit		
62	24810096	1	Gear, Conduct		
63	24820023	2	Pin		
65	24810026.1	1	Cover		
68	24810024	1	Plug, Oil Filter DRAIN		
69	24810027	1	Washer		
70	18024143	1	Ball,steel 1/2"		
71	24810030	1	Valve Spring		
72	24810032	1	SNAP Ring		
73	24810035C	1	Oil Filter		
76	52103309	1	Bolt DIN 912 M10-30 8.8		
77	24810055	1	Expansion Plug		
78	24810054	1	Spring, Valve		
79	24810053	1	Spring, Valve INNER		
80	24810052	1	Valve		
82	24810045	1	O-Ring D. 15,08X2,62		
83	24810041	1	Support		
84	53033006	2	Washer GROWER DIN 127-6		
85	52102156	2	Bolt DIN 933 M6-16 8.8		
86	24810051	1	Distributor		
87	52102258	1	Bolt DIN 933 M8-25 8.8		
88	24840039	1	Plug		
92	24820090	2	Pin		
94	56000083	1	Washer 21-26-1,5		
95	24810068	1	Plug		
97	24810012	1	Nut		
98	24820071	1	Stud		
99	24840008	1	Gauge Oil LEVEL		
100	24840076	1	Spacer		
101	24840075	1	Cover, Shaft		
102	24840077	1	Gear		
103	24840078	6	Screw		

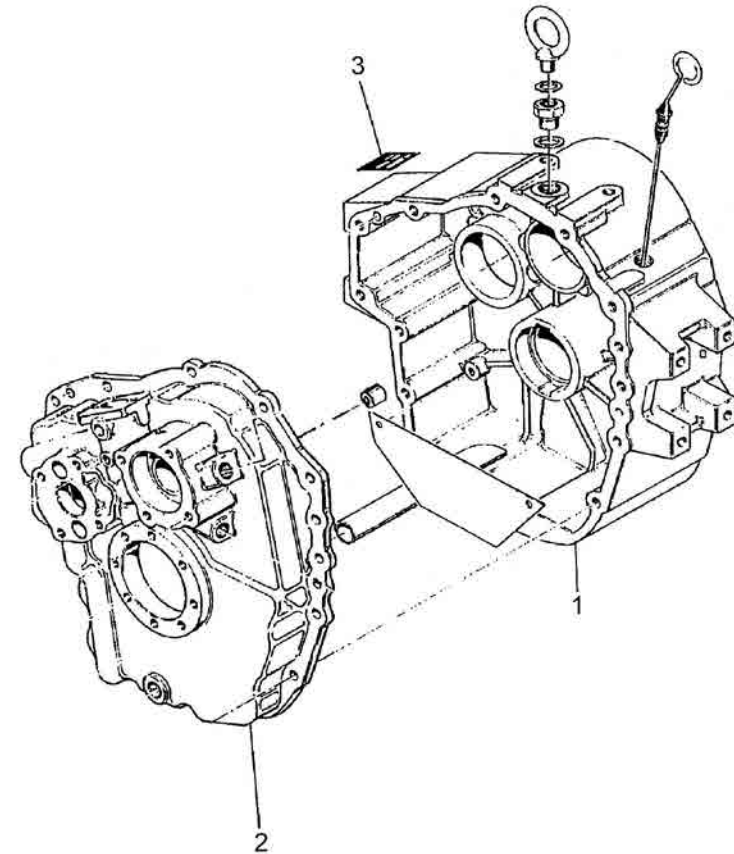




D_5021_1.1		Sheet 1.1/4			
FIG.	REF.	QTY	DESCR.	FROM	UPTO
105	53033010	1	Washer GROWER DIN 127-10		
106	24840072	1	Cover, Input Shaft		
107	24840111	1	O-Ring D. 110X3,5		
109	24840103	1	Grommet		
110	24810065	1	Plug		
111	24810063	1	Plane Washer		
113	24840080	1	Plate Pipe		
114	24840081	1	Tube, Aspiration		
115	52102254	2	Bolt DIN 933 M8-10 8.8		
116	24810060	1	Racord		
117	24810059	1	Plane Washer		
120	52102309	13	Bolt DIN 933 M10-30 8.8		
121	56000069	1	Washer 14-20-1,5		
122	24810011	1	Plug,oil drain		
123	24840038	1	Cover		
125	24840040	4	Screw		
126	24840208	1	Cover Front		
127	24840214	1	Grommet		
130	24810095	1	Gear, ConductOR		
131	24810025	2	Bushing		
133	24810098	3	Screw		

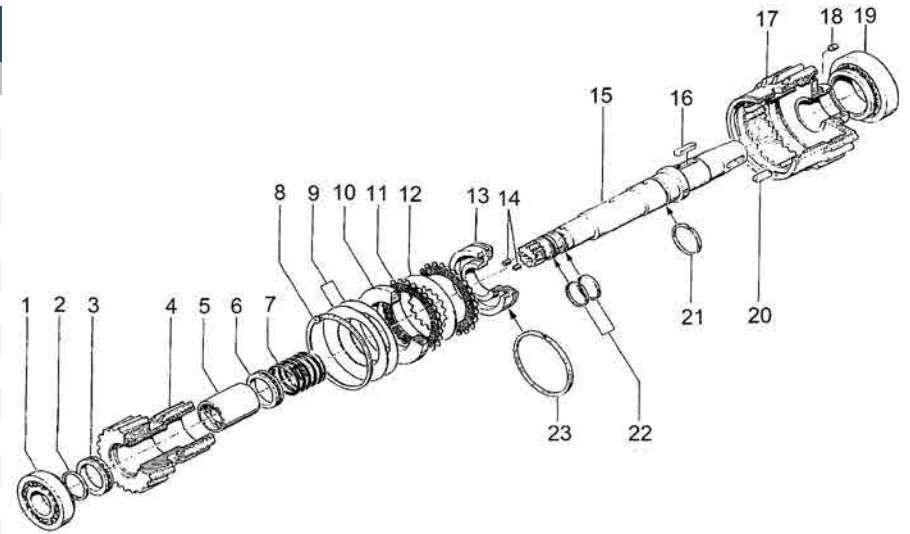


D_5022_1.2		Sheet 1.2/4				
FIG.	REF.	QTY	DESCR.	FROM	UPTO	
1	24840001A	1	Front Body TM265A			
2	24840002A	1	Reverse Body TM265A			
3	24820005.1	1	NAME Plate			



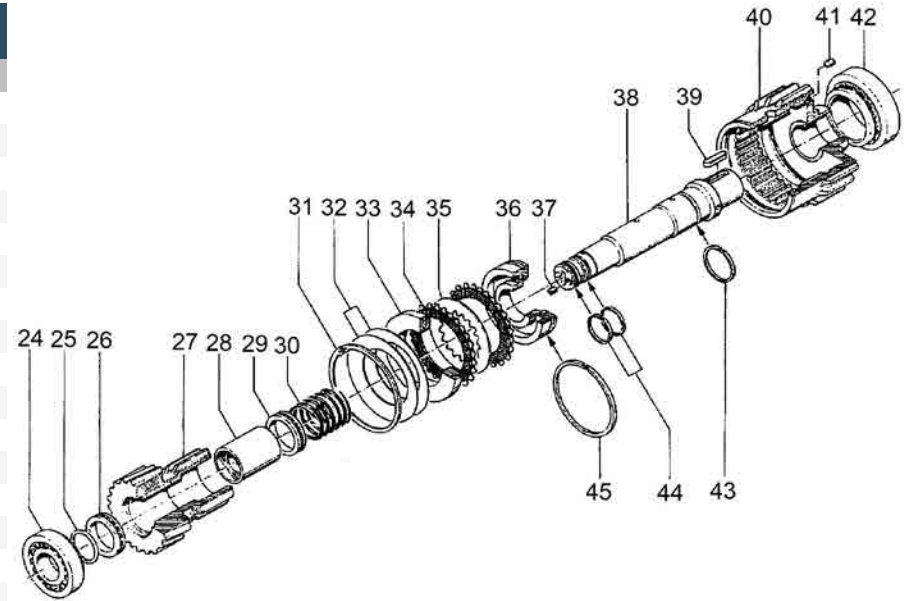


D_5022_2		Input Shaft 2/4				
FIG.	REF.	QTY	DESCR.	FROM	UPTO	
1	24840104	1	Conical Roller Bearing 32309			
2	24840105	1	Washer			
3	24840106	1	Ball Bearing AXIAL 51110			
4A	24842203A	1	Gear R. 1,44 TM 265A			
4B	24843203A	1	Gear R. 2 TM 265A			
4C	24844203A	1	Gear R. 2,3 TM 265A			
5	24840117	1	Bushing			
6	24840106	1	Ball Bearing AXIAL 51110			
7	24840122	1	Spring			
8	24840128	1	SNAP Ring			
9	24840129	2	Ring			
10	24840113	1	Grommet			
11	24840115	9	Conduct DISK			
12	24840116	8	Conductor Disk			
13	24840124	1	Piston			
14	24840127	2	Plug			
15	24840101	1	Input Shaft			
16	24830211	1	KEY			
17	24840130	1	Bell			
18	24810334	1	Plug			
19	24840134	1	Conical Roller Bearing 33113			
20	24840133	1	KEY			
21	24840126	1	Washer			
22	24840123	2	Washer			
23	24840125	1	Washer			



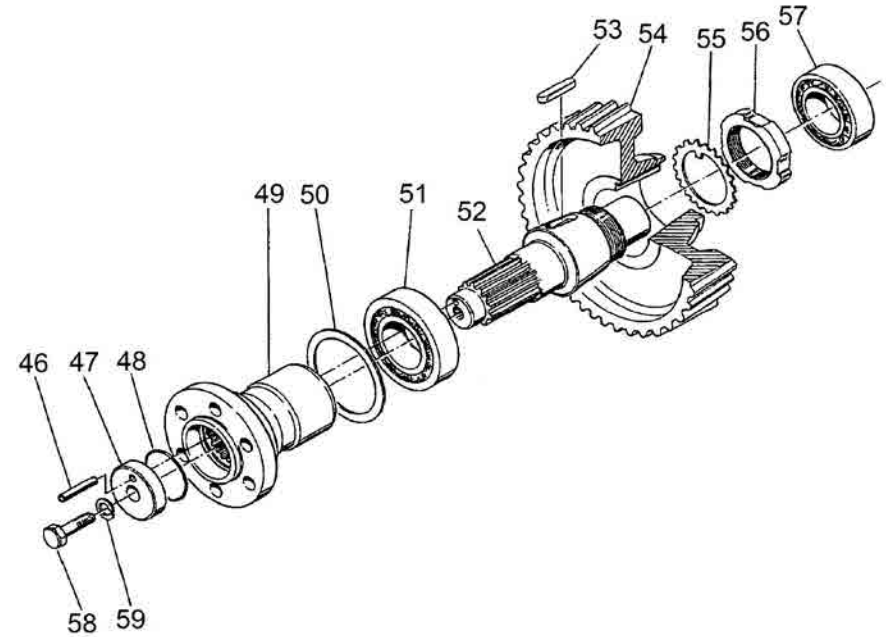


D_5022_3		Intermediate Shaft 3/4			
FIG.	REF.	QTY	DESCR.	FROM	UPTO
24	24840104	1	Conical Roller Bearing 32309		
25	24840105	1	Washer		
26	24840106	1	Ball Bearing AXIAL 51110		
27A	24842302A	1	Gear R. 1,44 TM 265A		
27B	24843302A	1	Gear R. 2 TM 265A		
27C	24844302A	1	Gear R. 2,3 TM 265A		
28	24840117	1	Bushing		
29	24840106	1	Ball Bearing AXIAL 51110		
30	24840122	1	Spring		
31	24840128	1	SNAP Ring		
32	24840129	2	Ring		
33	24840113	1	Grommet		
34	24840115	9	Conduct DISK		
35	24840116	8	Conductor Disk		
36	24840124	1	Piston		
37	24840127	1	Plug		
38	24840301	1	INTERMEDIATE Shaft		
39	24830211	1	KEY		
40	24840130	1	Bell		
41	24810334	1	Plug		
42	24840134	1	Conical Roller Bearing 33113		
43	24840126	1	Washer		
44	24840123	2	Washer		
45	24840125	1	Washer		





D_5022_4		Output Shaft 4/4			
FIG.	REF.	QTY	DESCR.	FROM	UPTO
46	24840220	1	Pin		
47	24840219	1	Washer, BUTT Flange		
48	24840225	1	O-Ring D. 55X5,3		
49	24840224	1	Flange, Output		
50	24840226	0	Spacer [VAR]		
51	24840206	1	Conical Roller Bearing 32312		
52	24840201	1	Output Shaft		
53	24840211	1	KEY		
54A	24842210	1	Gear Red. 1,16 TM 265		
54A	24842210A	1	Gear R. 1,44 TM 265A		
54B	24843210A	1	Gear R. 2 TM 265A		
54B	24843210	1	Gear R. 1,44 TM 265		
54C	24844210	1	Gear R. 2 TM 265		
54C	24844210A	1	Gear R. 2,3 TM 265A		
54D	24845210	1	Gear R. 2,82 TM 265		
55	24840227	1	Gear		
56	24840213	1	Nut		
57	24840212	1	Conical Roller Bearing 32310		
58	24840222	1	Screw M18x50		
59	24840221	1	Washer GROWER DIN 127-18 [NP]		



[NP] Not provided

[VAR] Variable according to repair





D_5021_5		Maintenance Kit			
FIG.	REF.	QTY	DESCR.	FROM	UPTO
1	24840401	1	Kit Gasket		
2	A0105000	1	15W40 Sole Diesel Oil 5L		
3	24840403	2	Clutch Plate Kit		

